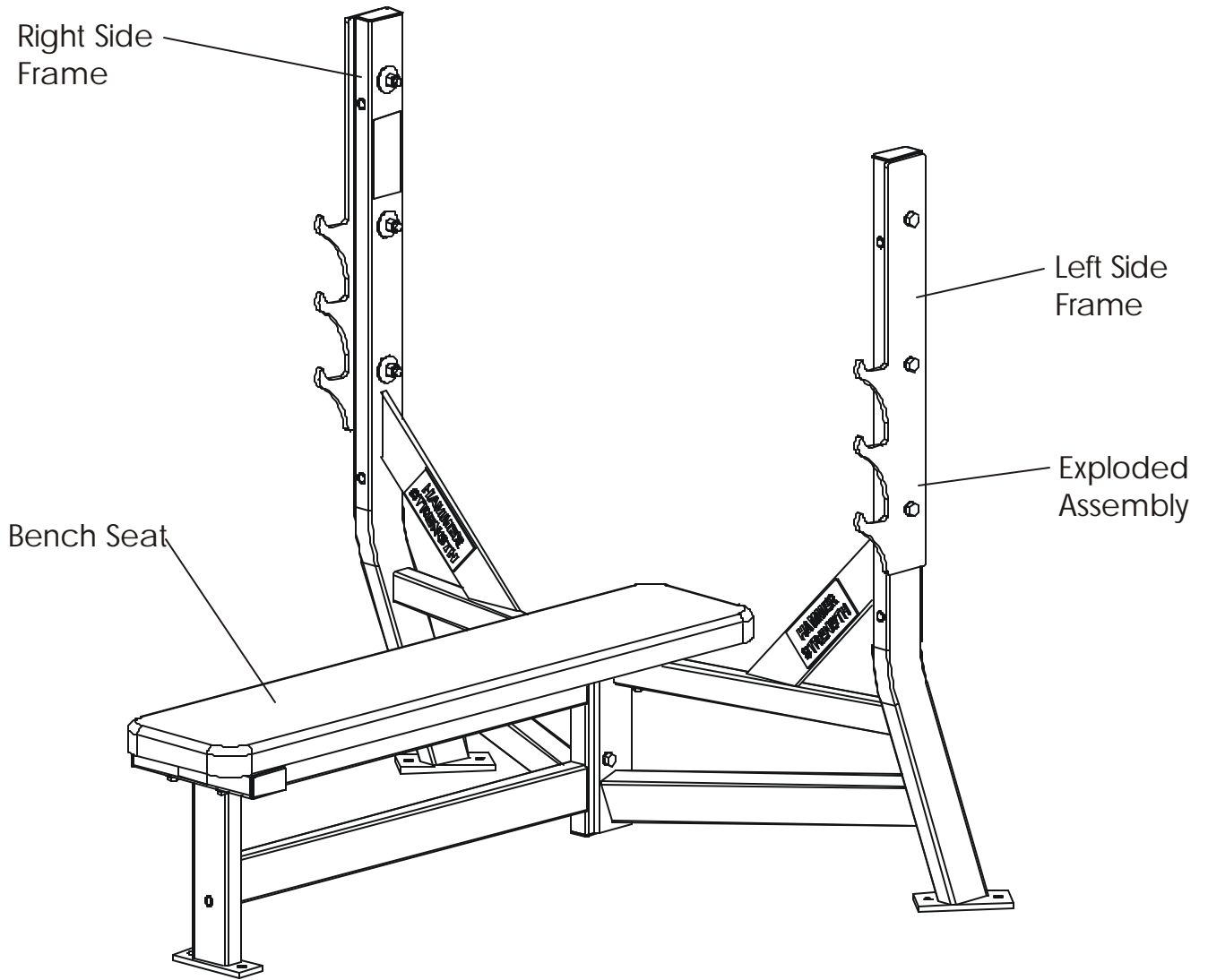


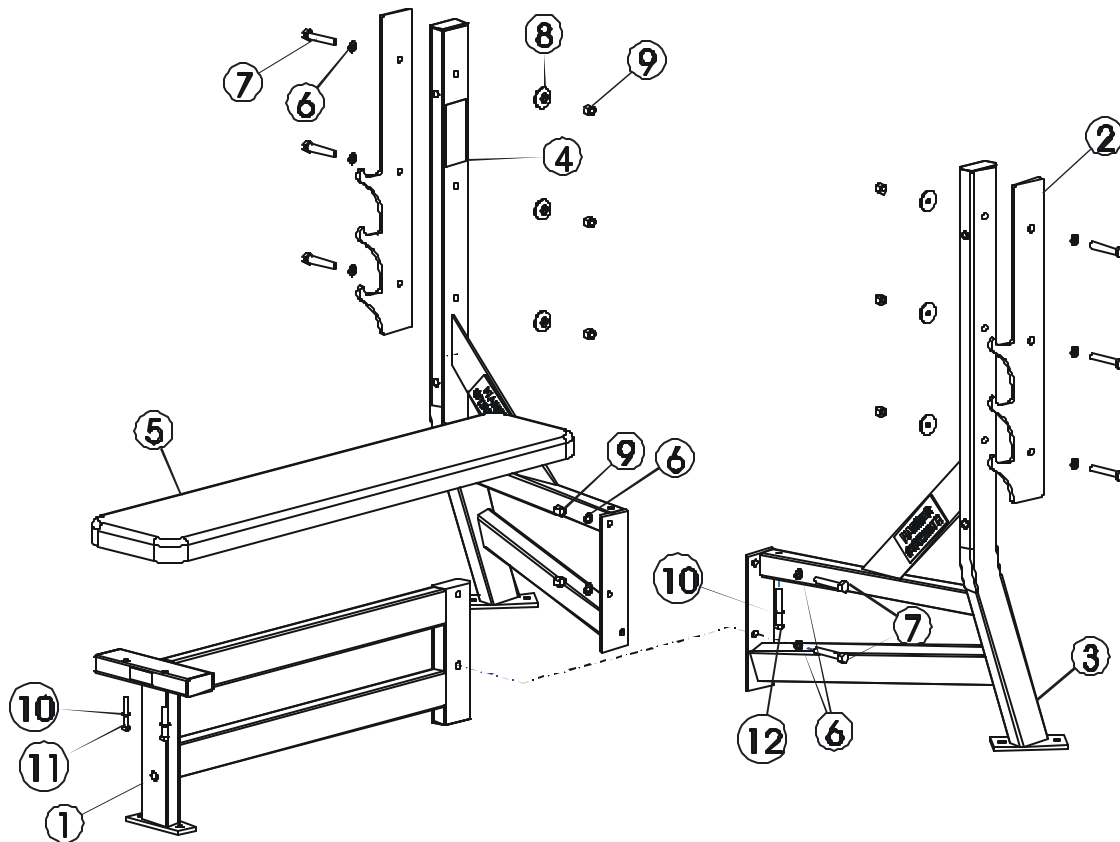
HAMMER STRENGTH EQUIPMENT

OFB - Olympic Flat Bench Assembly



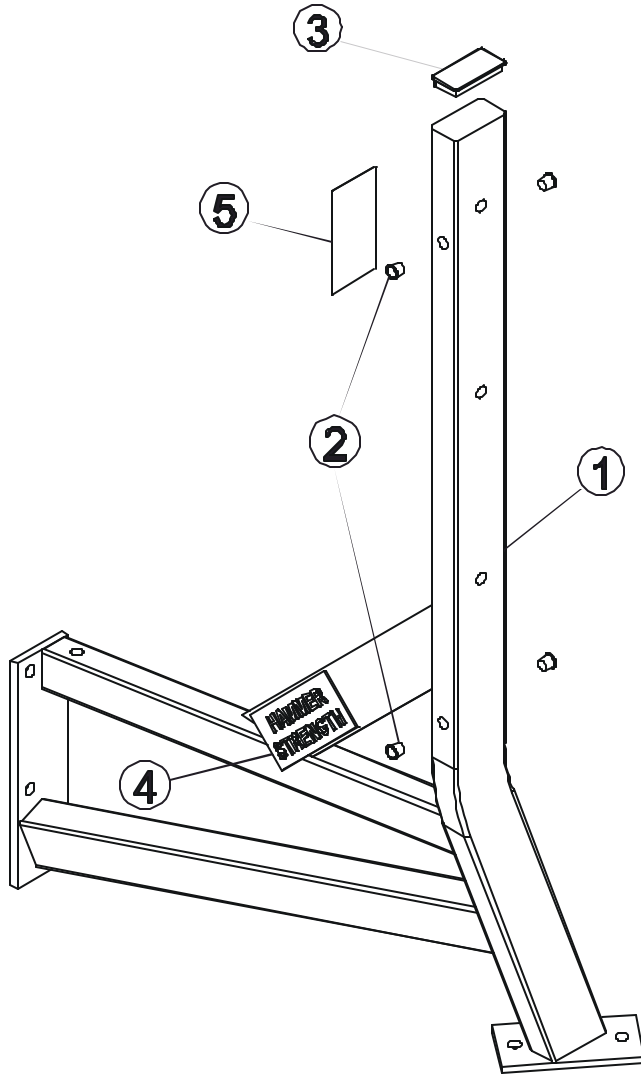
HAMMER STRENGTH EQUIPMENT

OFB - Exploded Assembly



ITEM NO.	QTY.	PART NO.	DESCRIPTION
1	1	OFB-CST-2	BENCH SEAT ASSM
2	2	HGR-ANG	HAMMER GUN RACK
3	1	OFB-CSFL-1	SIDE FRAME LEFT ASSM
4	1	OFB-CSFR-1	RIGHT SIDE FRAME ASSM
5	1	U48-37	Bench Pad
6	10	WASH.5STAR	1/2" Internal Lock Washer
7	8	HHB.5X3	1/2 X 3 Bolt
8	6	H-BACK-WASH	Backing Washer
9	8	NUT.5LOCK	1/2" Thick Lock Nut
10	4	WASH.375SAE	3/8" SAE Flat Washer
11	2	HHB.375X2.5	3/8 X 2 1/2 Bolt
12	2	HHB.375X3	3/8 X 3 Bolt

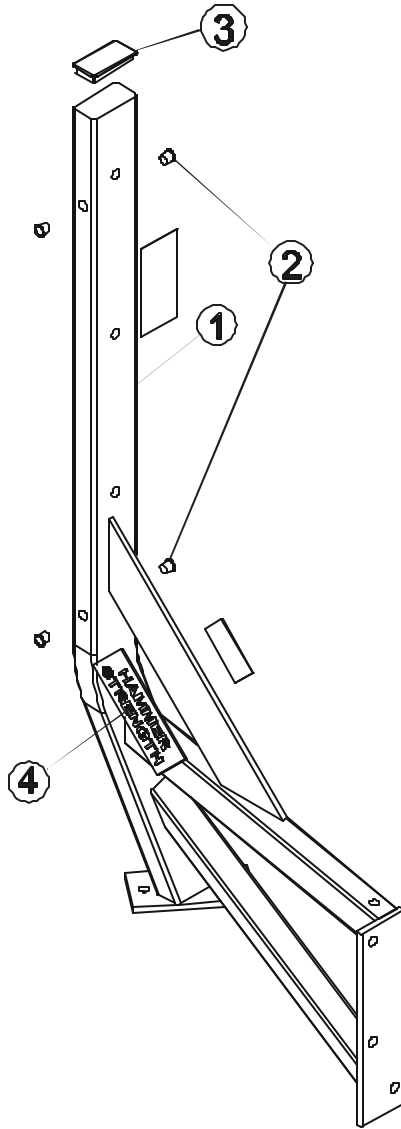
HAMMER STRENGTH EQUIPMENT
OFB – Left Side Frame



ITEM NO.	QTY.	PART NO.	DESCRIPTION
1	1	OFB-SFL-1	Left Side Frame
2	4	H-HPLUG(SMALL)	9/16" Hole Plug
3	1	H-PEND3	1 1/2 X 3 End Cap
4	1	H-NAMEPLATE	Name Plate
5	1	WARNING LARGE-V	Large Warning Vert.

HAMMER STRENGTH EQUIPMENT

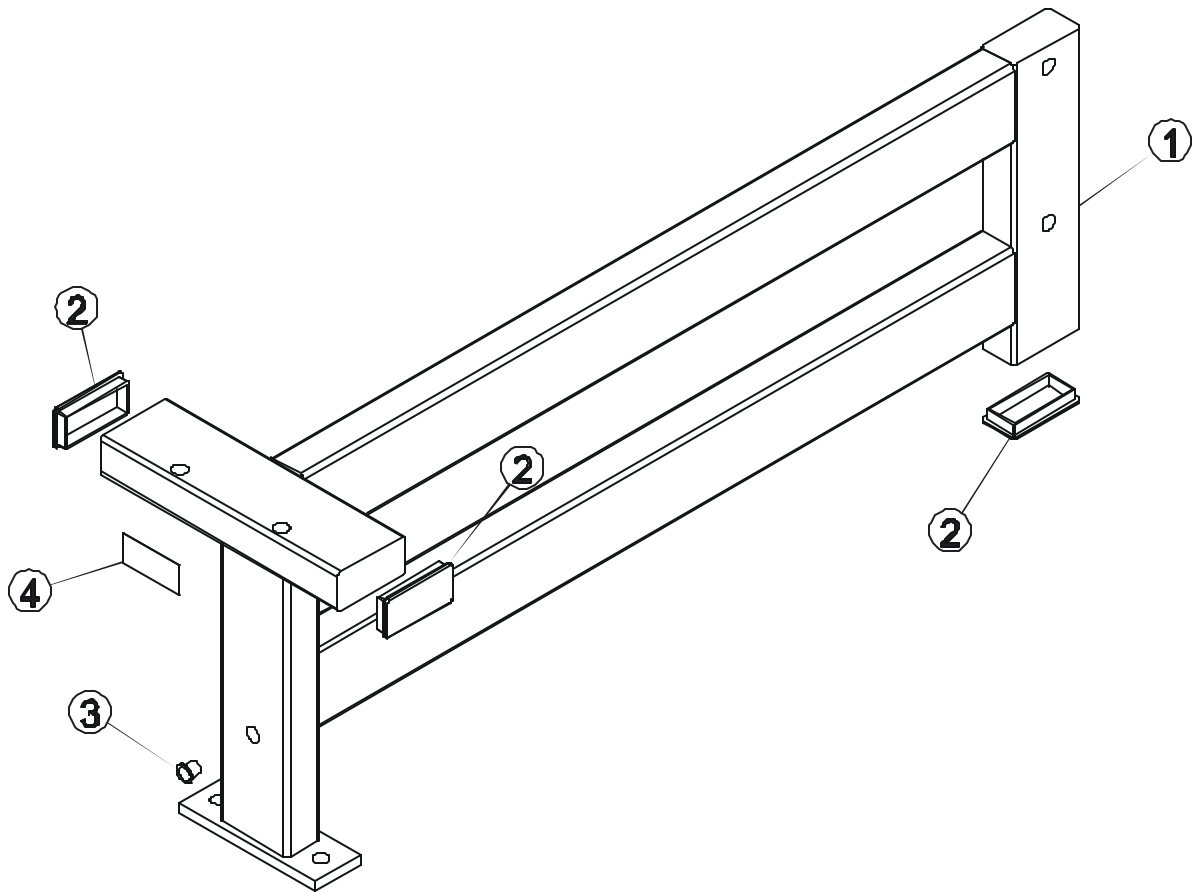
OFB – Right Side Frame



ITEM NO.	QTY.	PART NO.	DESCRIPTION
1	1	OFB-SFR-1	Right Side Frame
2	4	H-HPLUG	9/16" Hole Plug
3	1	H-PEND3	1 1/2 X 3 End Cap
4	1	H-NAMEPLATE	Name Plate
5	1	WARNING	Large Warning Vert.
6	1	PATENT	Patent Decal

HAMMER STRENGTH EQUIPMENT

OFB - Bench



ITEM NO.	QTY.	PART NO.	DESCRIPTION
1	1	OFB-ST-2	BENCH SEAT
2	3	H-PEND3	1 1/2 X 3 End Cap
3	1	H-HPLUG(Small)	9/16" Hole Plug
4	1	Serial Number	Serial Number