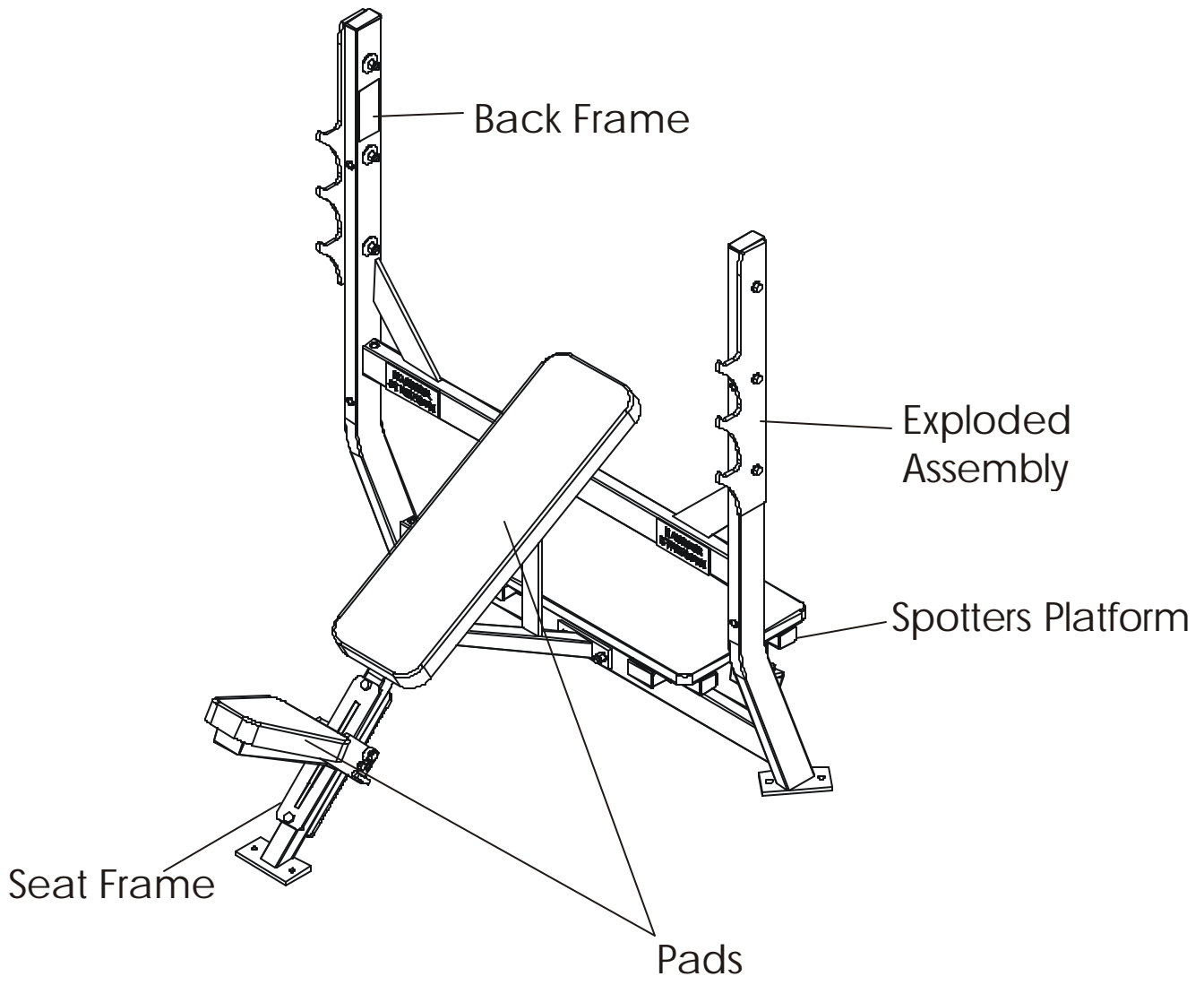


# HAMMER STRENGTH EQUIPMENT

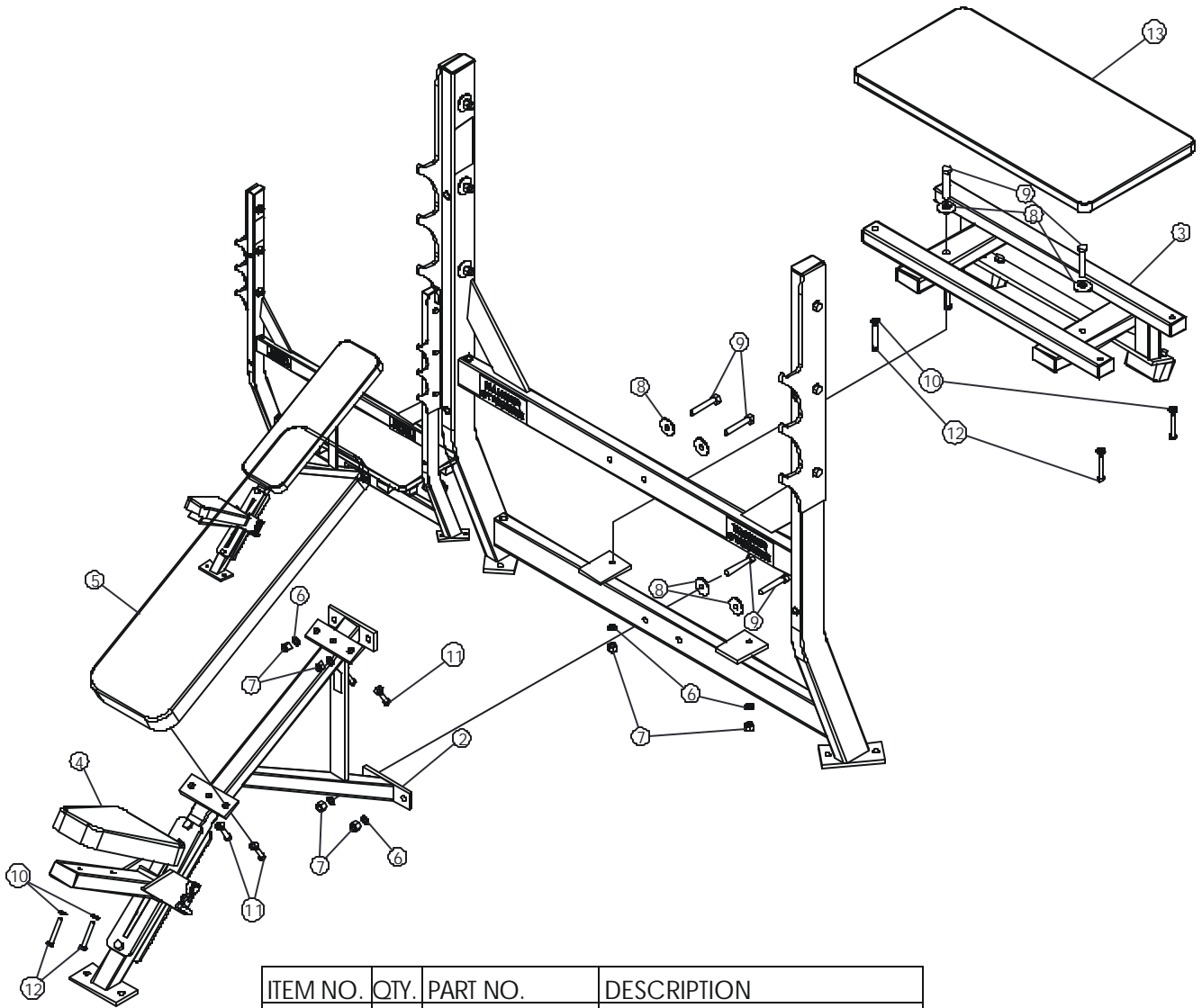
## OIB - Olympic Incline Bench

---



# HAMMER STRENGTH EQUIPMENT

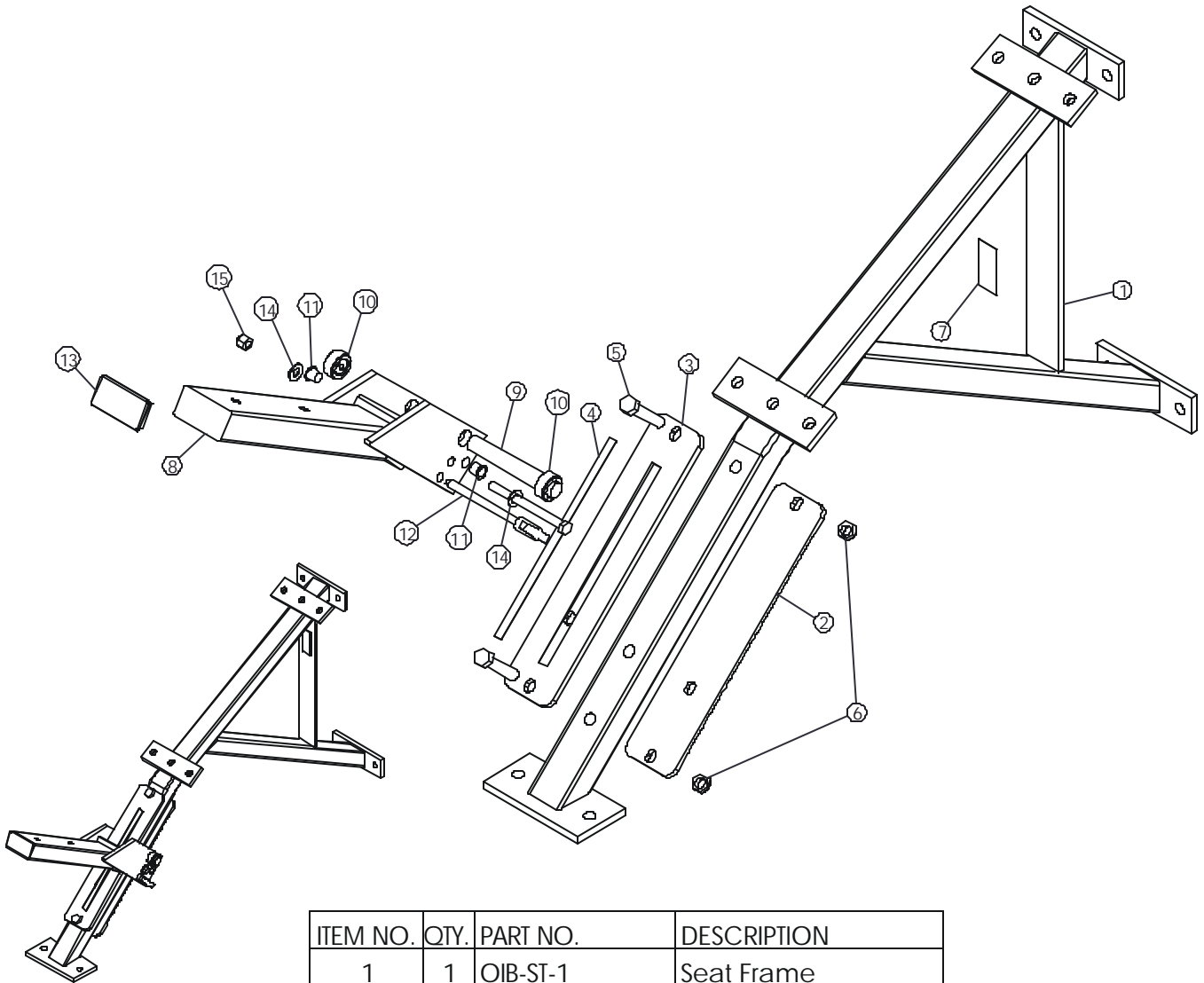
## OIB - Exploded Assembly



ITEM NO.	QTY.	PART NO.	DESCRIPTION
1	1	OIB-CWB-0	Workbox Asm
2	1	OIB-CST-1	Seat Frame Asm
3	1	OIB-CBX-0	Back Frame Asm
4	1	U12-5	12" Triangular Pad
5	1	U33-19	Standard 33" Pad
6	6	WASH.5STAR	1/2" Internal Lock Washer
7	6	NUT.5LOCK	1/2" Thick Lock Nut
8	6	H-BACK-WASH	Backing Washer
9	6	HHB.5X3	1/2 X 3 Bolt
10	10	WASH.375SAE	3/8" SAE Flat Washer
11	4	HHB.375X1.5	3/8 X 1 1/2 Bolt
12	6	HHB.375X2.5	3/8 X 2 1/2 Bolt
13	1	UFBLP_FP	Footboard

# HAMMER STRENGTH EQUIPMENT

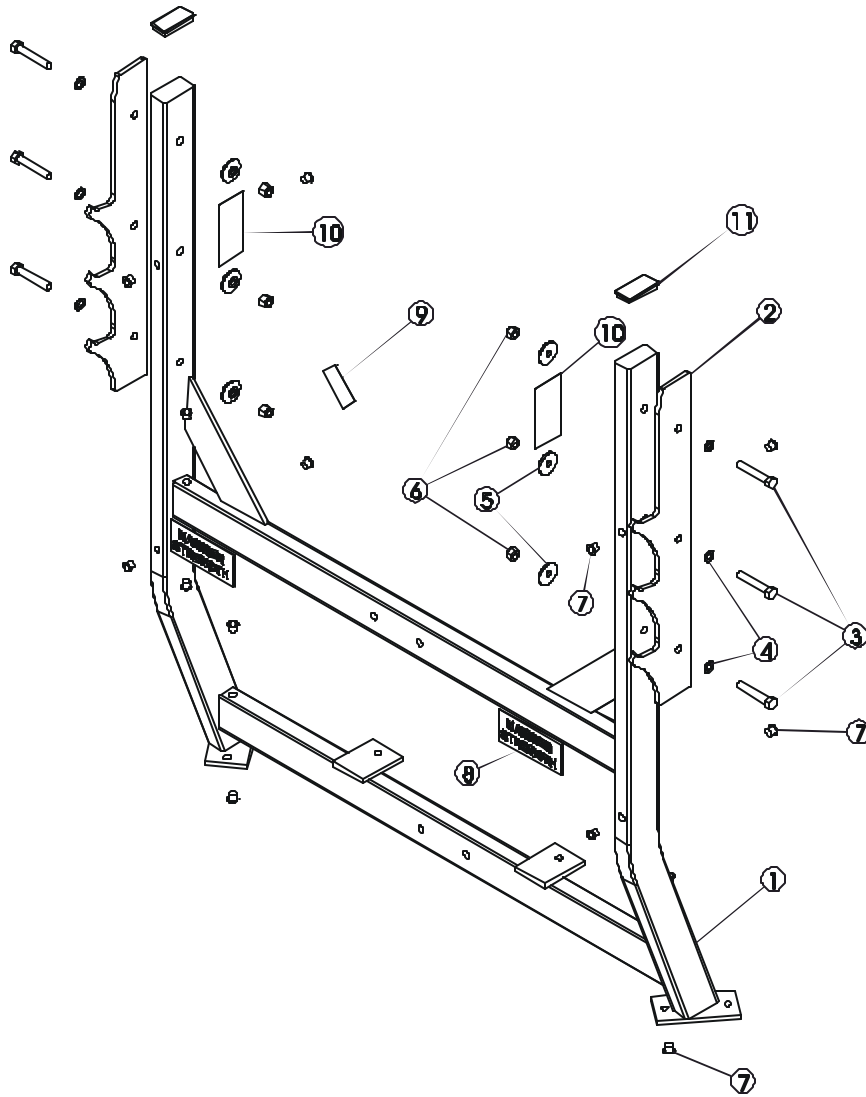
## OIB - Seat Frame



ITEM NO.	QTY.	PART NO.	DESCRIPTION
1	1	OIB-ST-1	Seat Frame
2	1	H-SEATRCKS-RIB	Seatrack Back
3	1	H-SEATRCKS	Seatrack Front
4	1	SEAT NUMBER	Seat Adj. Number
5	2	HHB.5X2.5	1/2 X 2 1/2 Bolt
6	2	NUT.5JAMLOCK	1/2" Thin Lock Nut
7	1	SERIAL NUMBER	Serial Number
8	1	OIB-AJST-1	Adjustable Seat
9	1	STshft	Seat Shaft
10	2	H-LCOLLAR75	3/4" Lock Collar
11	2	1-2holeplug	1/2" Hole Plug
12	1	SELECTOR PIN-6	SELECTOR PIN 6 INCH
13	1	H-PEND3	1 1/2 X 3 End Cap
14	2	WASH.375SAE	3/8" SAE Flat Washer
15	1	NUT.375LOCK	3/8" Thick Lock Nut
16	1	HHB.375X4.5	3/8 X 4.5 Bolt

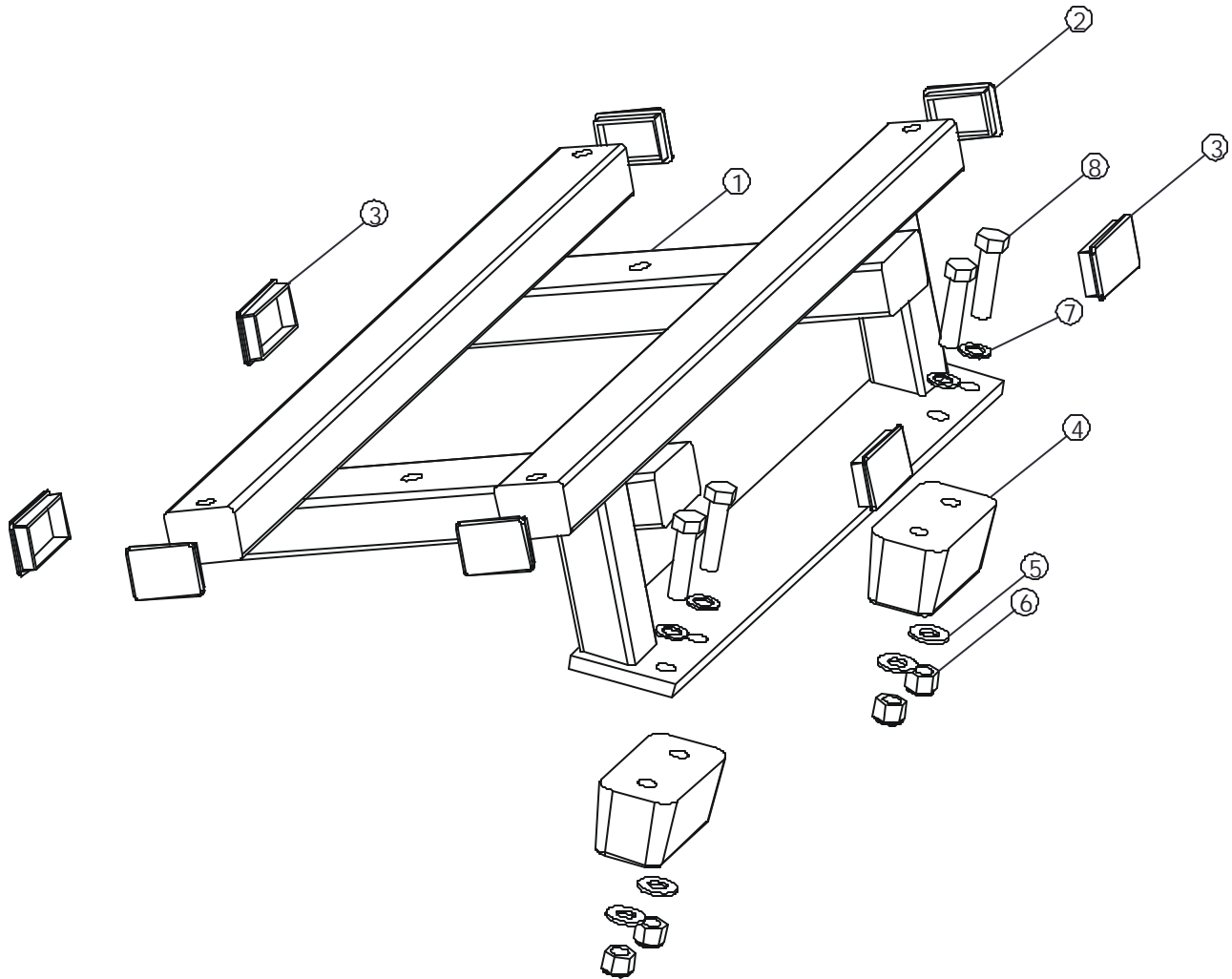
# HAMMER STRENGTH EQUIPMENT

## OIB - Back Frame



ITEM NO.	QTY.	PART NO.	DESCRIPTION
1	1	OIB-WB-0	Back Frame
2	2	HGR-3-0	3 Hook Gunrack-Top
3	6	HHB.5X3	1/2 X 3 Bolt
4	6	WASH.5STAR	1/2" Internal Lock Washer
5	6	H-BACK-WASH	Backing Washer
6	6	NUT.5LOCK	1/2" Thick Lock Nut
7	16	H-HPLUG	9/16" Hole Plug
8	2	H-NAMEPLATE	Name Plate
9	1	PATENT	Patent Decal
10	2	WARNING LARGE-V	Large Warning Vert.
11	2	H-PEND3	1 1/2 X 3 End Cap

**HAMMER STRENGTH EQUIPMENT**  
**OIB - Spotters Platform**



ITEM NO.	QTY.	PART NO.	DESCRIPTION
1	1	OIB-BX-0	Spotters Platform
2	4	H-PEND2	1 1/2 X 2 Endcap
3	4	H-PEND3	1 1/2 X 3 End Cap
4	2	H-BUMP-MED	MM2 Medium
5	4	WASH.5SAE	1/2" SAE Flat Washer
6	4	NUT.5LOCK	1/2" Thick Lock Nut
7	4	WASH.5STAR	1/2" Internal Lock Washer
8	4	HHB.5X2	1/2 X 2 Bolt