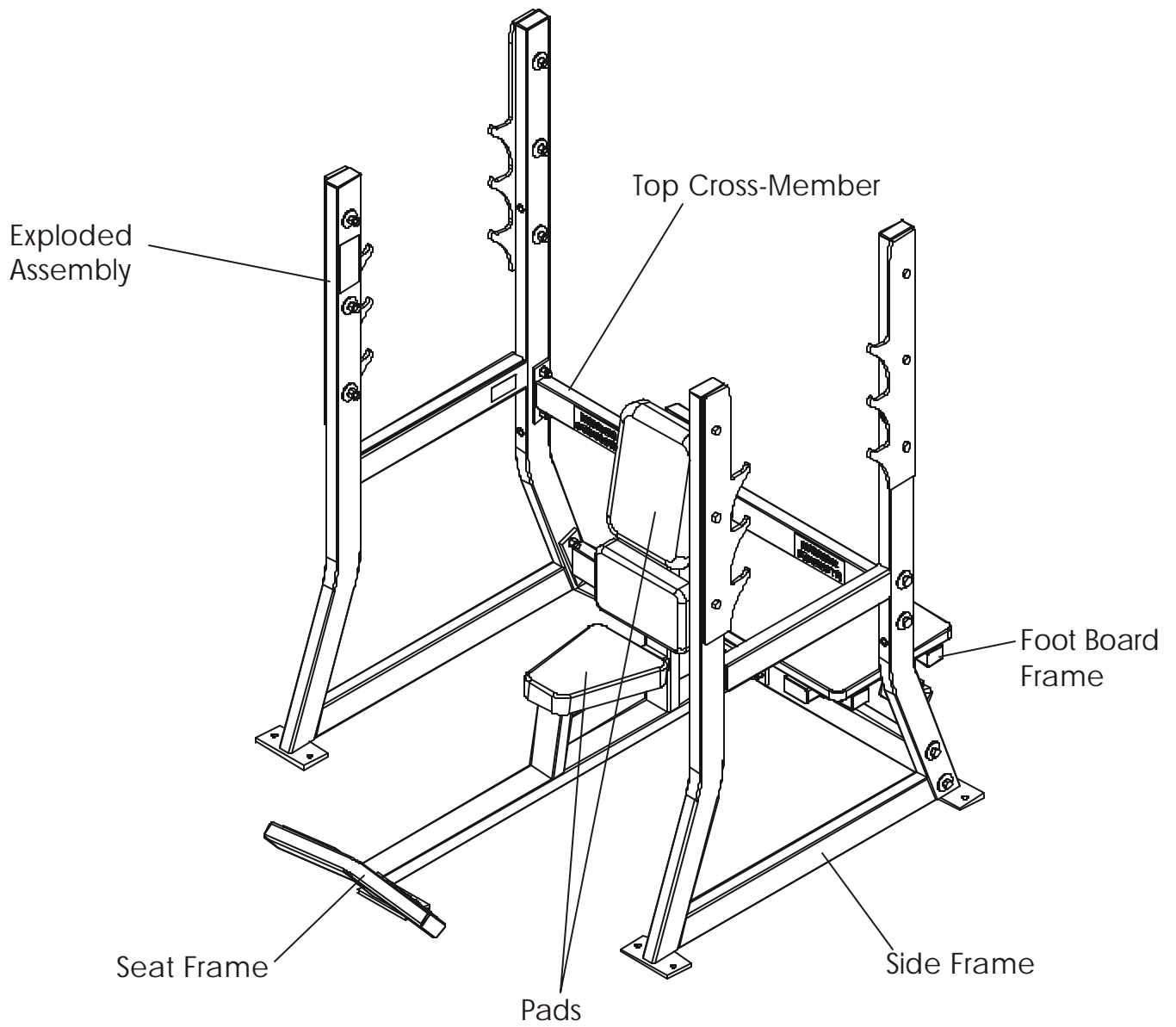


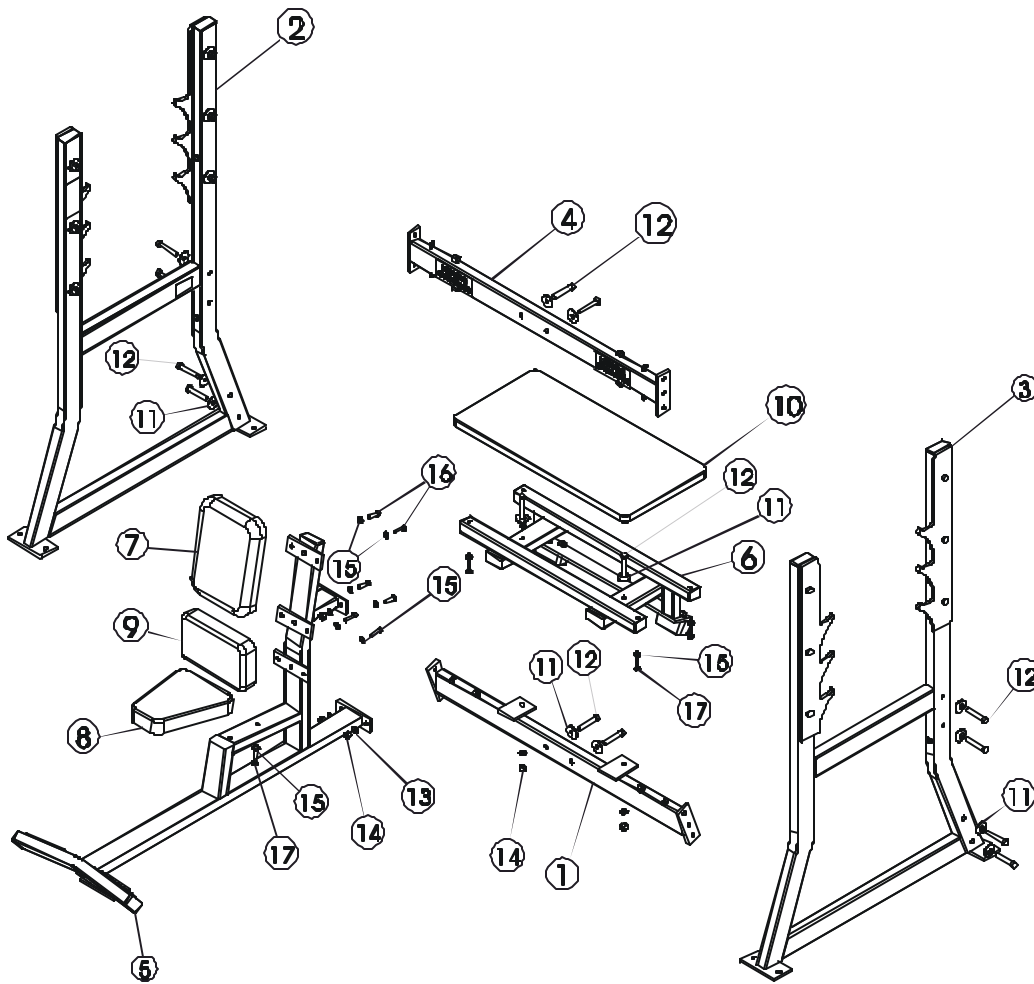
HAMMER STRENGTH EQUIPMENT

OMB - Olympic Military Bench Assembly



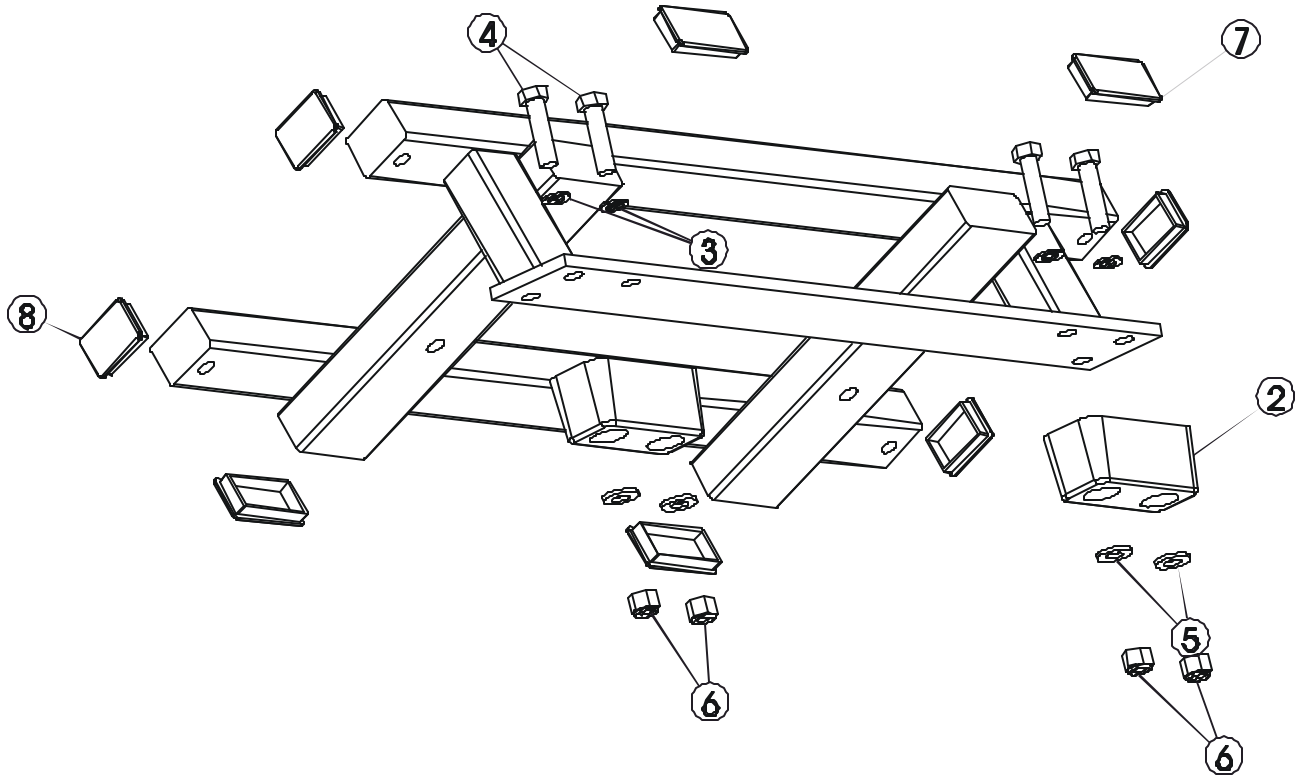
HAMMER STRENGTH EQUIPMENT

OMB - Exploded Assembly



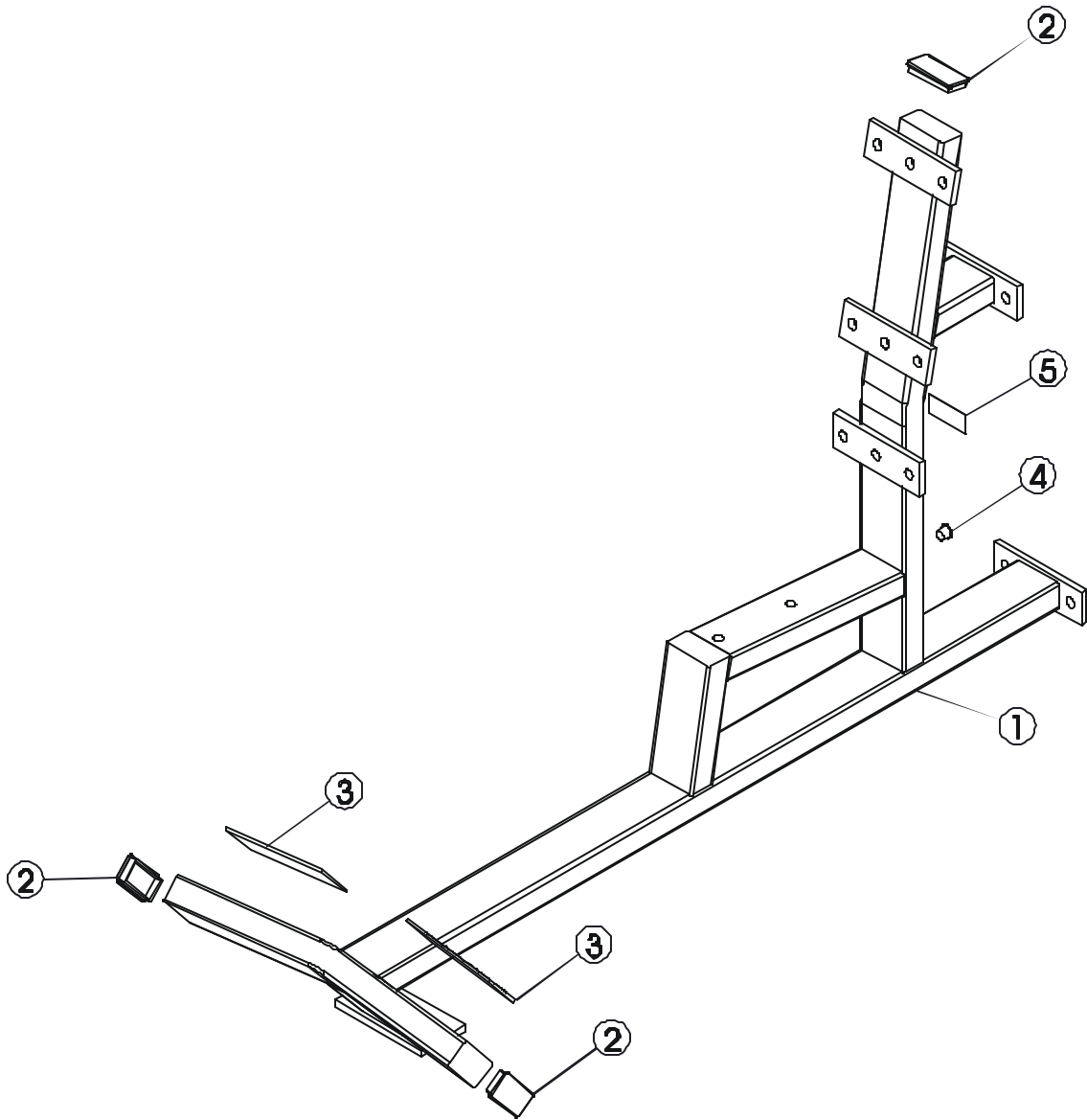
ITEM NO.	QTY.	PART NO.	DESCRIPTION
1	1	OMB-BX-0	Bottom Cross-Member
2	1	OMB-CSFR-0	Right Side Frame
3	1	OMB-CSFL-0	Left Side Frame
4	1	OMB-CTX-0	Top Cross-Member
5	1	OMB-CST-1	Component Seat-Frame
6	1	OMB-CFB-0	Component foot board frame
7	1	U14-10	Standard 14" Pad
8	1	U12-5 REG	12" Triangular Pad
9	1	U10-4.5	Rect Pad
10	1	UFBLP_FP	Footboard
11	14	H-BACK-WASH	Backing Washer
12	14	HHB.5X3	1/2 X 3 Bolt
13	14	WASH.5STAR	1/2" Internal Lock Washer
14	14	NUT.5LOCK	1/2" Thick Lock Nut
15	12	WASH.375SAE	3/8" SAE Flat Washer
16	6	HHB.375X1.5	3/8 X 1 1/2 Bolt
17	6	HHB.375X2.5	3/8 X 2 1/2 Bolt

HAMMER STRENGTH EQUIPMENT
OMB - Foot Board Frame



ITEM NO.	QTY.	PART NO.	DESCRIPTION
1	1	OMB-FB-0	Foot Board Frame
2	2	H-BUMP-MED	MM2 Medium
3	4	WASH.5STAR	1/2" Internal Lock Washer
4	4	HHB.5X2	1/2 X 2 Bolt
5	4	WASH.5SAE	1/2" SAE Flat Washer
6	4	NUT.5LOCK	1/2" Thick Lock Nut
7	4	H-PEND3	1 1/2 X 3 End Cap
8	4	H-PEND2	1 1/2 X 2 Endcap

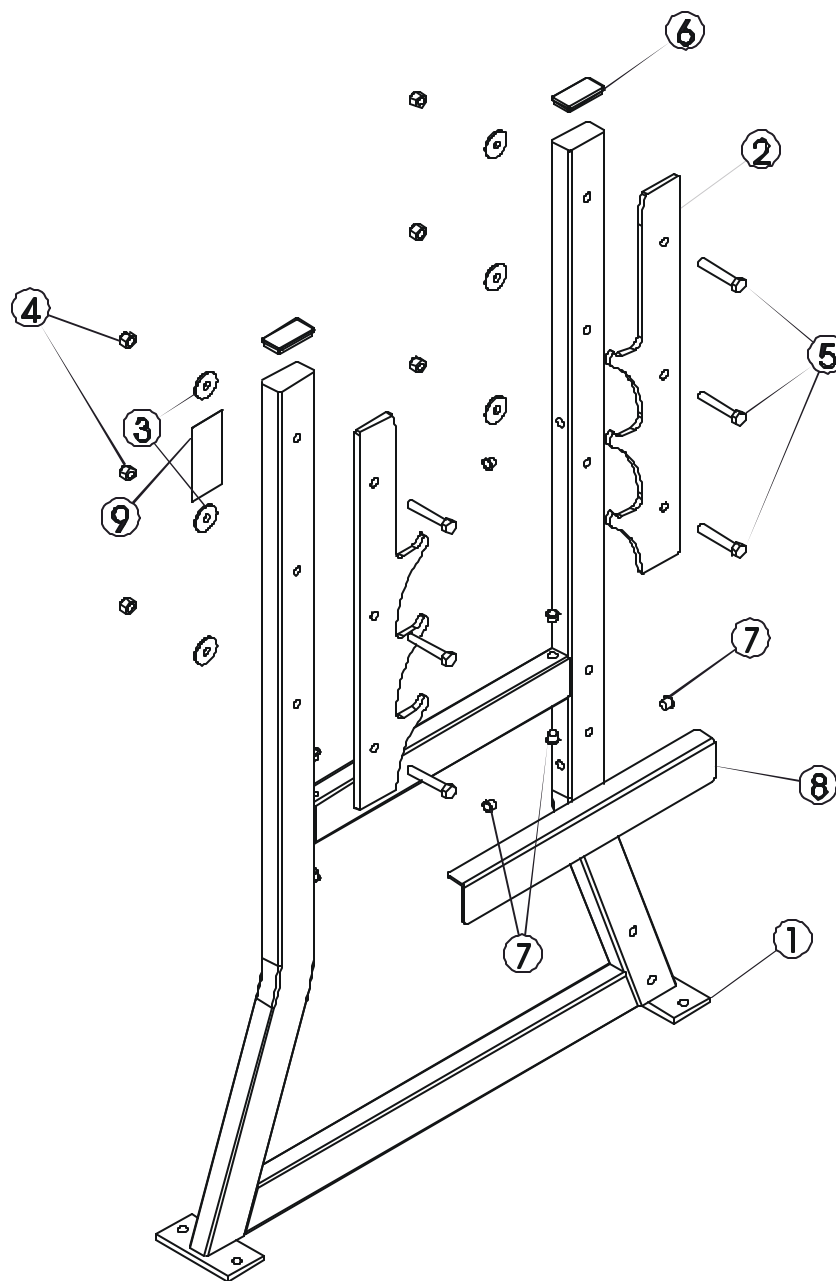
HAMMER STRENGTH EQUIPMENT
OMB - Seat Frame



ITEM NO.	QTY.	PART NO.	DESCRIPTION
1	1	OMB-ST-1	Seat Frame
2	3	H-PEND3	1 1/2 X 3 End Cap
3	2	H-NAMEPLATE	Name Plate
4	1	H-HPLUG(REG)	9/16" Hole Plug
5	1	SERIAL NUMBER	Serial Number

HAMMER STRENGTH EQUIPMENT

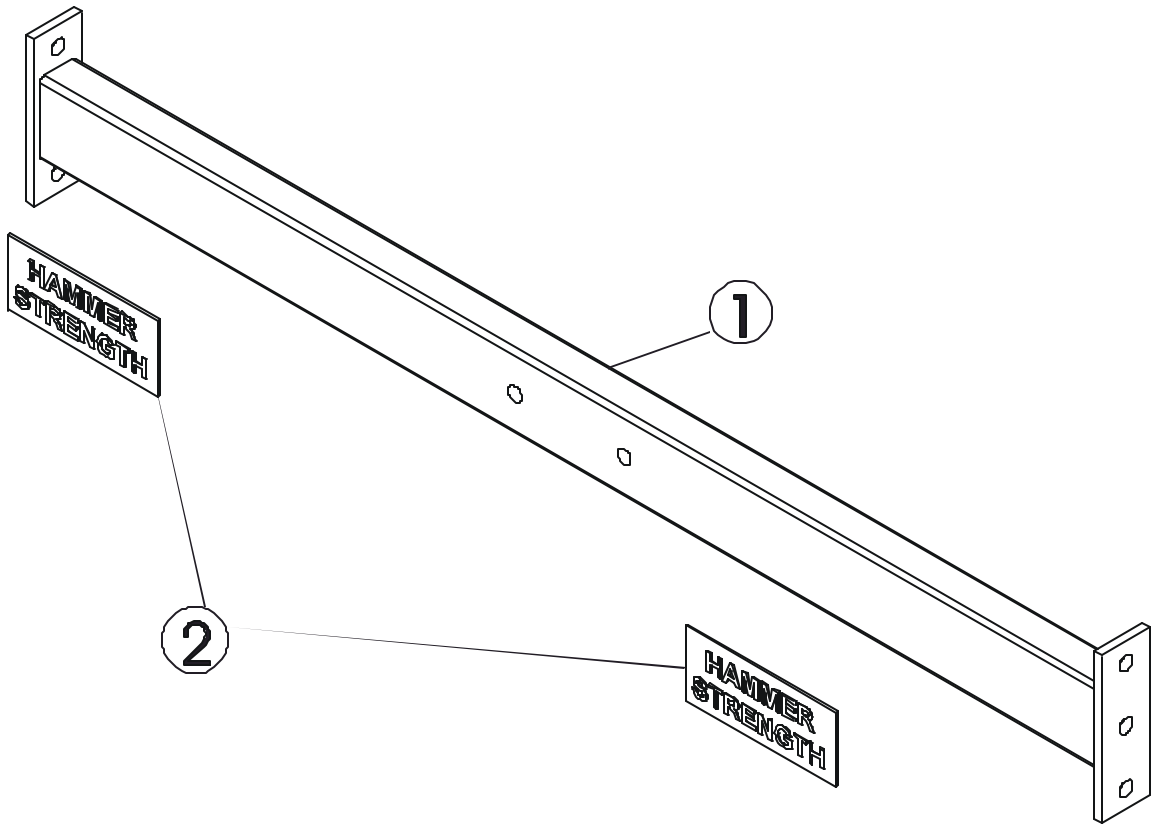
OMB - Side Frame



ITEM NO.	QTY.	PART NO.	DESCRIPTION
1	1	OMB-SF-0	Side-Frame
2	2	HGR-3-0	3 Hook Gunrack-Top
3	6	H-BACK-WASH	Backing Washer
4	6	NUT.5LOCK	1/2" Thick Lock Nut
5	6	HHB.5X3	1/2 X 3 Bolt
6	2	H-PEND3	1 1/2 X 3 End Cap
7	8	H-HPLUG	9/16" Hole Plug
8	1	L-Guard 20.75"	H-L-GUARD
9	1	WARNING LARGE-V	Large Warning Vert.

HAMMER STRENGTH EQUIPMENT

OMB - Top Cross-Member



ITEM NO.	QTY.	PART NO.	DESCRIPTION
1	1	OMB-TX-0	Top Cross-Member
2	2	H-NAMEPLATE	Name Plate