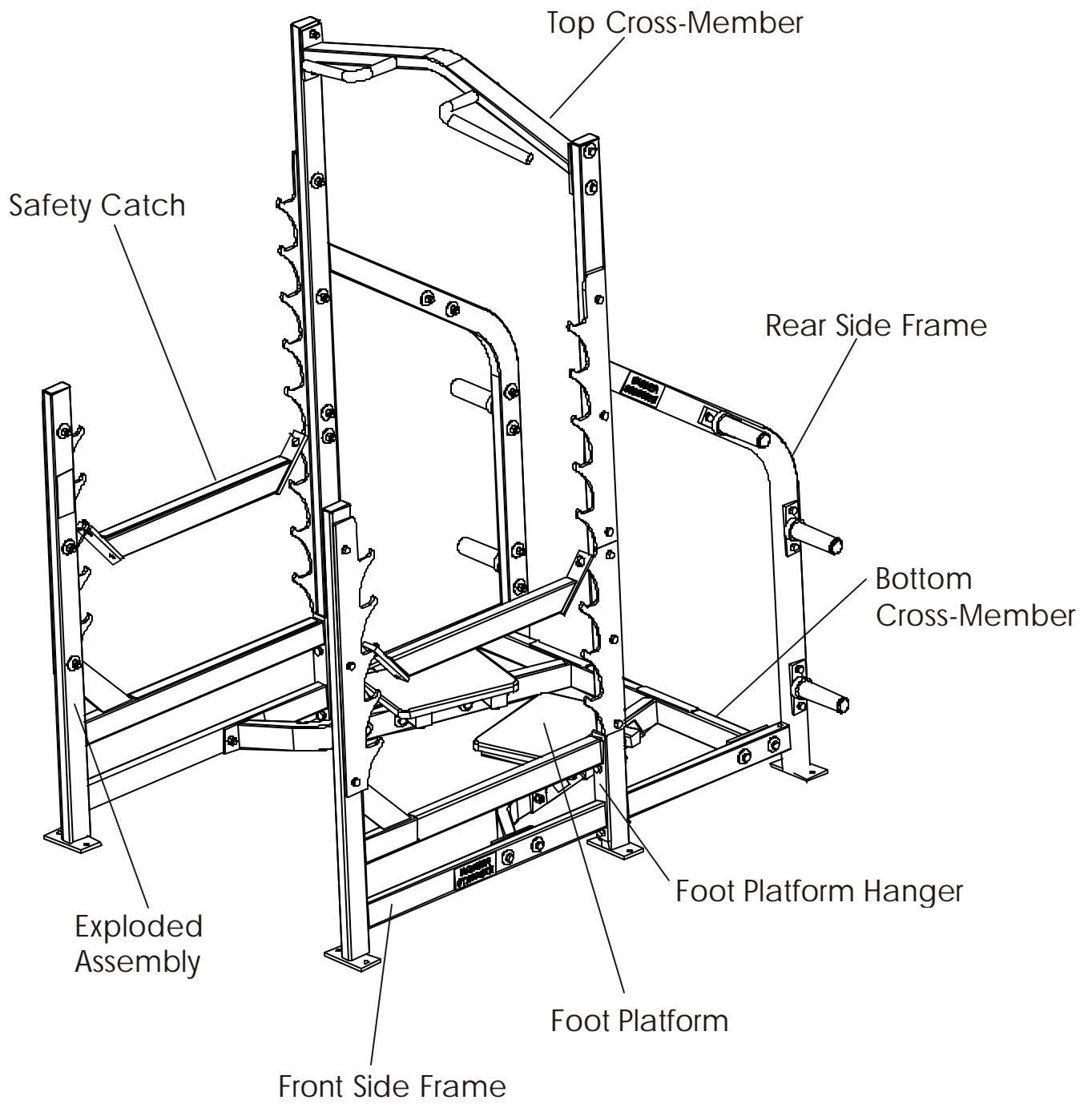


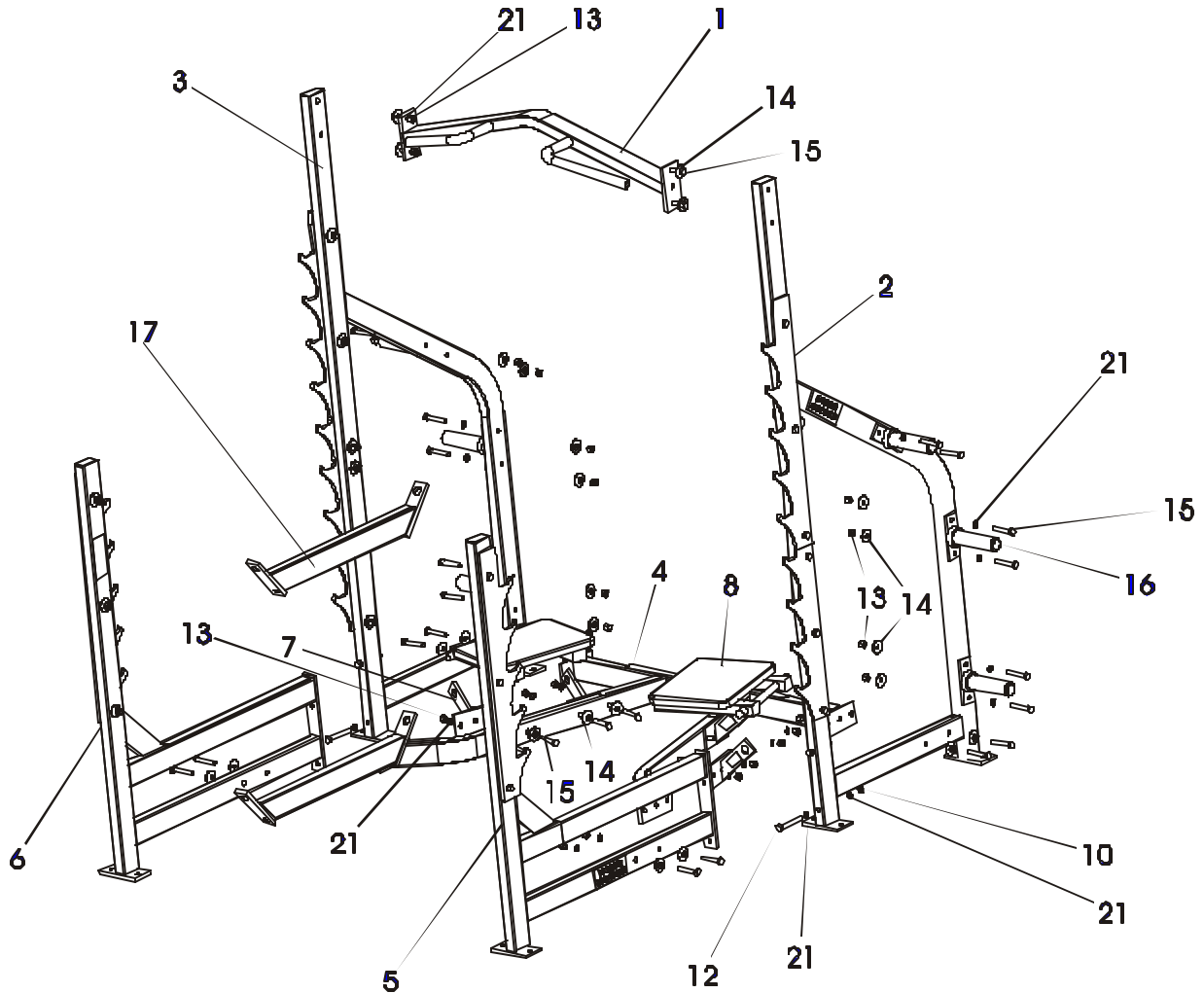
HAMMER STRENGTH EQUIPMENT

OPR - Olympic Power Rack – Rev: B02



HAMMER STRENGTH EQUIPMENT

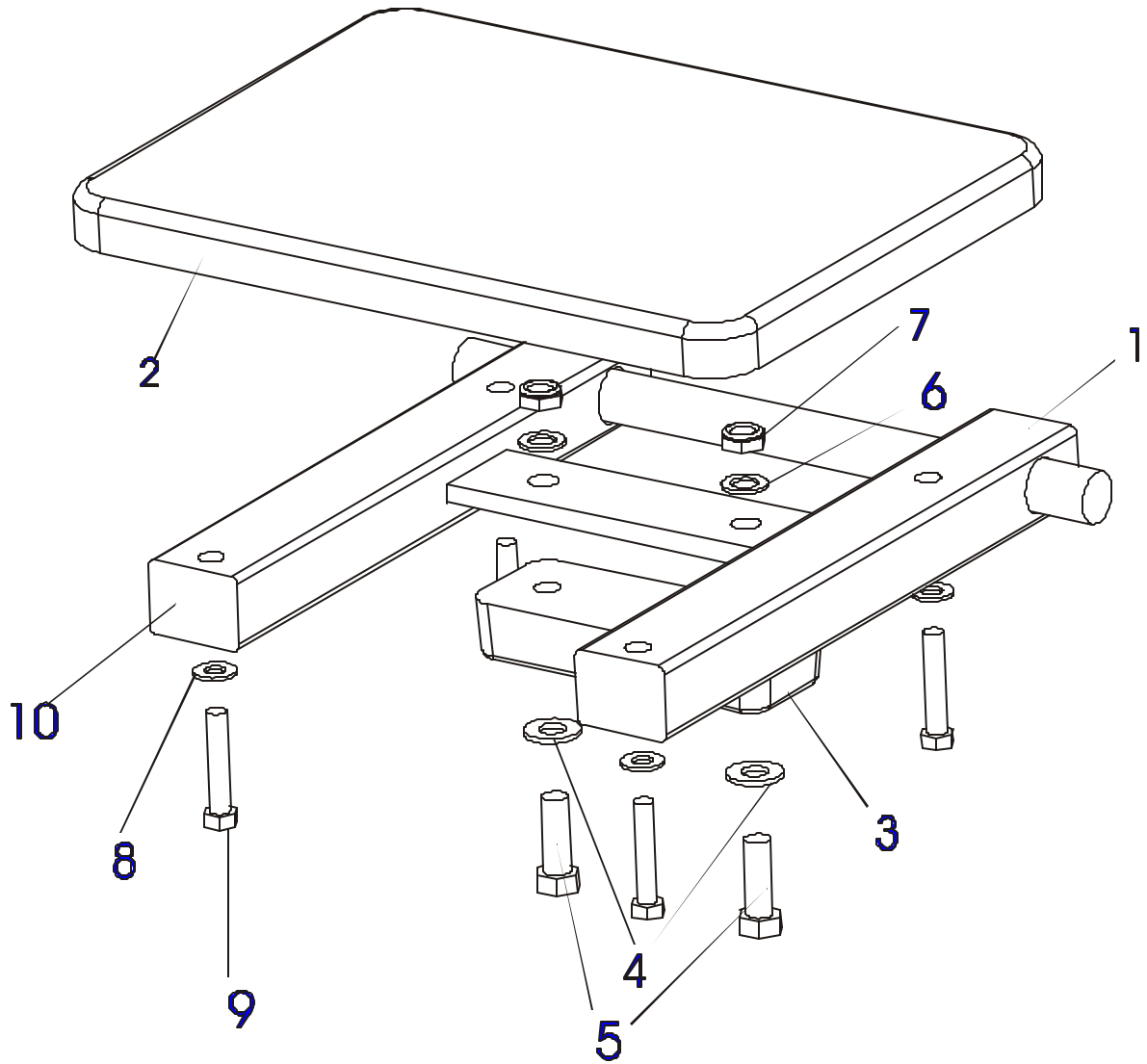
OPR - Exploded Assembly



ITEM NO.	QTY.	PART NO.	DESCRIPTION
1	1	OPR-CTX-0	Component Top Cross-Frame
2	1	OPR-CRSFL-2	Component Rear Side Frame
3	1	OPR-CRSFR-2	Component Rear Side Frame-Left
4	1	OPR-CBX-0	Component Bottom Cross Member
5	1	OPR-CFSFL-2	Component Front Side Frame-Right
6	1	OPR-CFSFR-2	Component Front Side Frame-Left
7	4	OPR-CFPH-0	Component Foot Platform Hanger
8	2	OPR-CFP-0	Component Foot Platform
10	4	NUT.5JAMLOCK	1/2" Thin Lock Nut
12	4	HHB.5X4	1/2 X 4 Bolt
13	32	NUT.5LOCK	1/2" Thick Lock Nut
14	32	H-BACK-WASH	Backing Washer
15	32	HHB.5X3	1/2 X 3 Bolt
16	6	WT Horn	Weight Horn
17	2	OPR-CSC-2	Component Safety Catch
21	40	WASH.5STAR	1/2" Internal Lock Washer

HAMMER STRENGTH EQUIPMENT

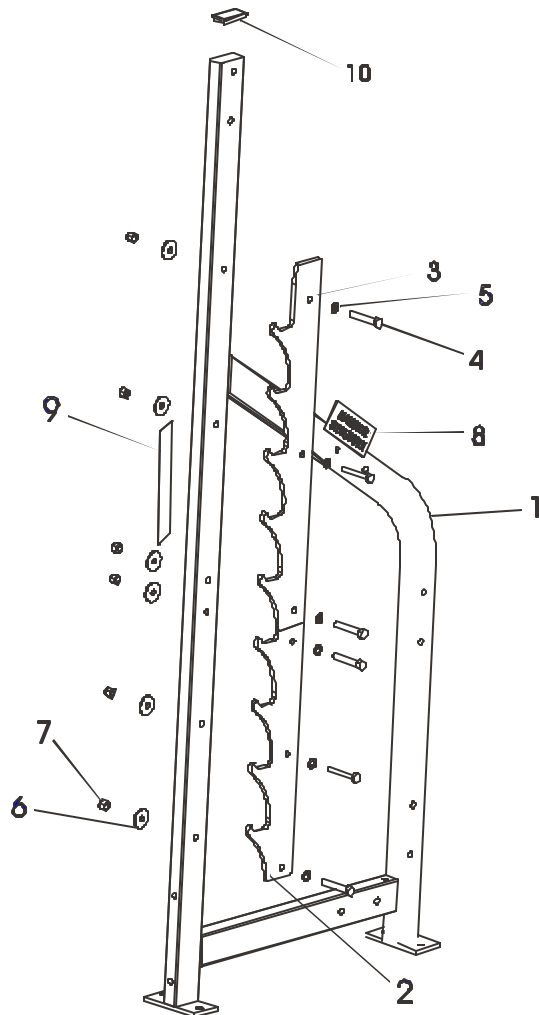
OPR - Foot Platform



ITEM NO.	QTY.	PART NO.	DESCRIPTION
1	1	OPR-FP-0	Foot Platform
2	1	U-FBILP	Footboard
3	1	H-FBUMP	MM6 Floor
4	2	WASH.5SAE	1/2" SAE Flat Washer
5	2	HHB.5X1.5	1/2 X 1 1/2 Bolt
6	2	WASH.5STAR	1/2" Internal Lock Washer
7	2	NUT.5JAMLOCK	1/2" Thin Lock Nut
8	4	WASH.375SAE	3/8" SAE Flat Washer
9	4	HHB.375X2	3/8 X 2 Bolt
10	4	4-PEND2	1-1/2X2 ENDCAP

HAMMER STRENGTH EQUIPMENT

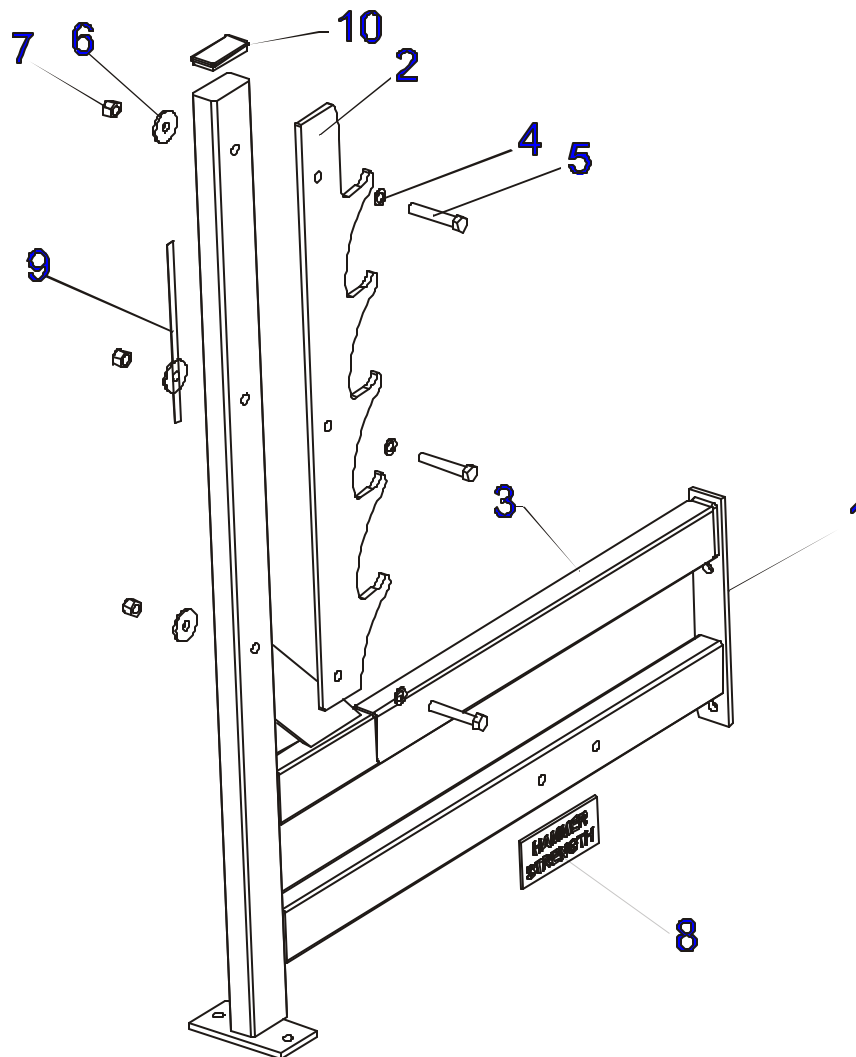
OPR - Rear Side Frame



ITEM NO.	QTY.	PART NO.	DESCRIPTION
1	1	OPR-RSF-1	Rear Side Frame
2	1	HGR-1-0	4 HOOK GUNRACK-BOTTOM
3	1	HGR-2-0	5 HOOK GUNRACK-TOP
4	6	HHB.5X3	1/2 X 3 Bolt
5	6	WASH.5STAR	1/2" Internal Lock Washer
6	6	H-BACK-WASH	Backing Washer
7	6	NUT.5LOCK	1/2" Thick Lock Nut
8	1	H-NAMEPLATE	Name Plate
9	1	SEAT NUMBER	SEAT ADJ. NUMBER
10	1	H-PEND3	1 1/2 X 3 End Cap

HAMMER STRENGTH EQUIPMENT

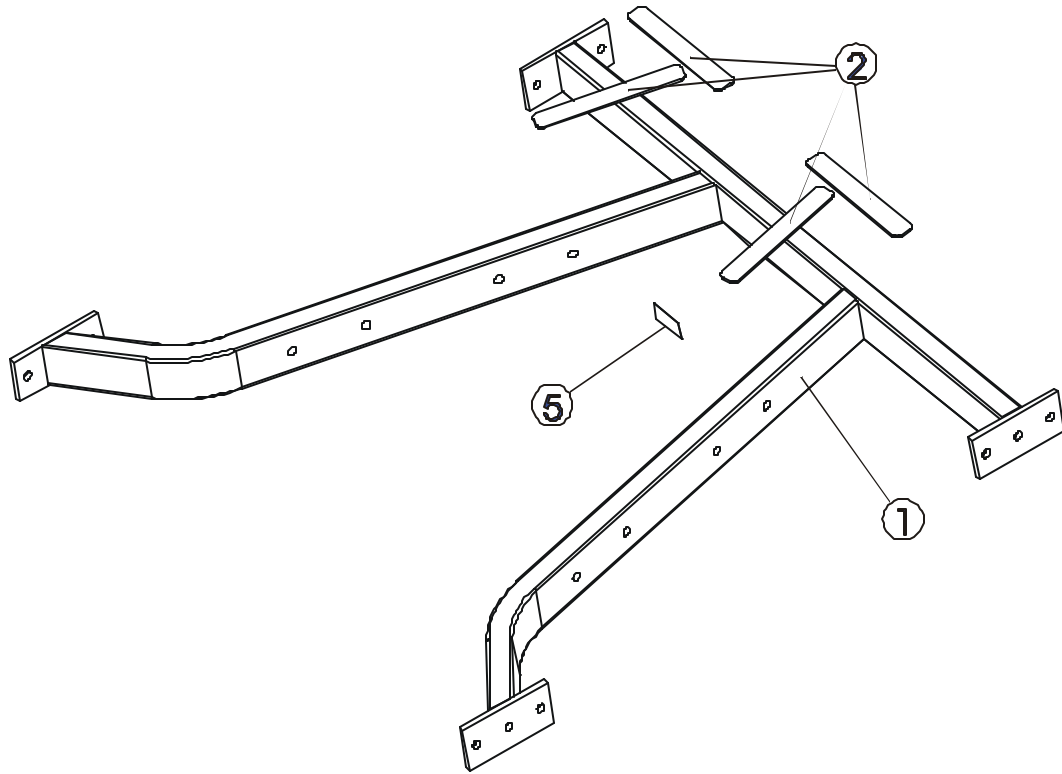
OPR - Front Side Frame



ITEM NO	QTY.	PART NO.	DESCRIPTION
1	1	OPR-FSF-2	Front Side Frame
2	1	HGR-2-0	5 Hook Gunrack-Top
3	1	L-Guard 27.75"	H-L-GUARD
4	3	WASH.5STAR	1/2" Internal Lock Washer
5	3	HHB.5X3	1/2 X 3 Bolt
6	3	H-BACK-WASH	Backing Washer
7	3	NUT.5LOCK	1/2" Thick Lock Nut
8	1	H-NAMEPLATE	Name Plate
9	1	SEAT NUMBER	Seat Adj. Number
10	1	H-PEND3	1 1/2 X 3 End Cap

HAMMER STRENGTH EQUIPMENT

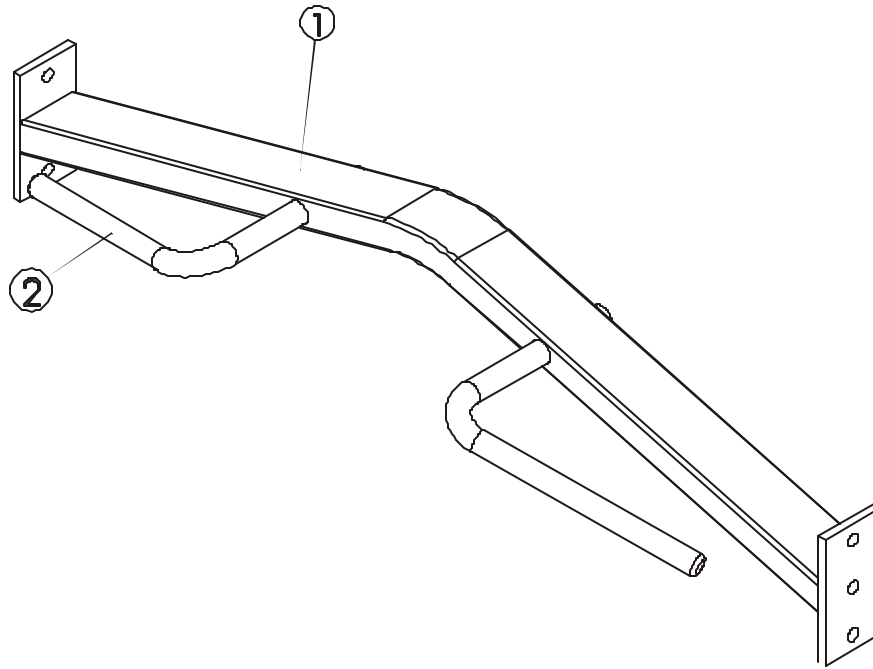
OPR - Bottom Cross Frame



ITEM NO.	QTY.	PART NO.	DESCRIPTION
1	1	OPR-BX-0	Bottom Cross Frame
2	4	H-NONSKID1	1 1/4 X 9 Nonskid
5	1	SERIAL NUMBER	Serial Number

HAMMER STRENGTH EQUIPMENT

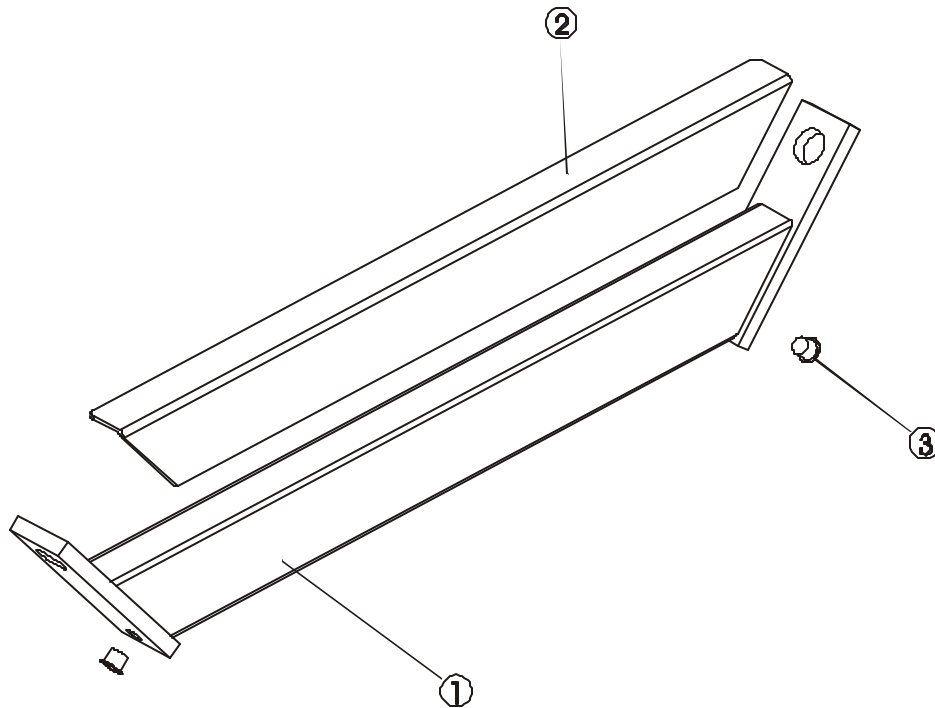
OPR - Top Cross Frame



ITEM NO.	QTY.	PART NO.	DESCRIPTION
1	1	OPR-TX-0	Top Cross Member
2	2	H-GRIP	HandGrip

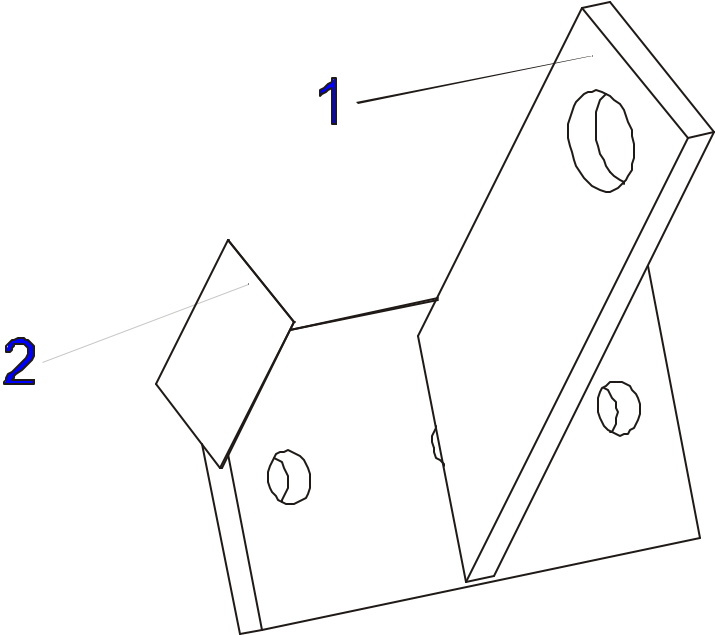
HAMMER STRENGTH EQUIPMENT

OPR - Safety Catch



ITEM NO.	QTY.	PART NO.	DESCRIPTION
1	1	OPR-SC-0	Safety Catch
2	1	H-L-Guard	H-L-GUARD
3	2	H-HPLUG	9/16" Hole Plug

HAMMER STRENGTH EQUIPMENT
OPR – Foot Platform Hanger



ITEM NO.	QTY.	PART NO.	DESCRIPTION
1	1	OPR-FPH-0	Foot Platform Hanger
2	1	STAY CLEAR	Stay Clear Decal