

Optima Series - Dual Adjustable Pulley

OSDAP

Parts Manual

3/3/2023 11:51:30 AM

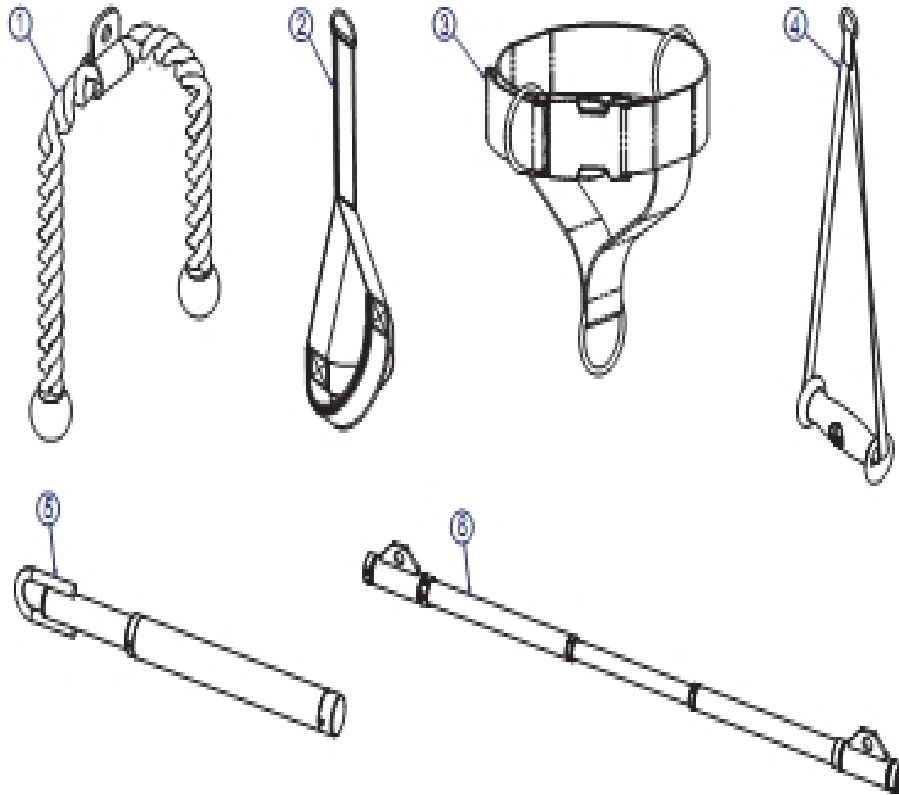


Table of Contents

Accessories - Optional Accessories	3
Accessories - Supplied Accessories	4
Accessory Cross Brace Assembly	5
Chin Up Assembly	6
Component Assembly	7
Cross Brace Assembly	8
Frame Bracket Assembly	9
Frame, Shroud and Hardware Components	10
Head Plate Assembly	11
Left Carriage Assembly	12
Left Front Shroud Assembly	13
Left Hand Bottom Frame Assembly	14
Left Hand Top Frame Assembly	15
Right Carriage Assembly	16
Right Hand Bottom Frame Assembly	17
Right Hand Top Frame Assembly	18
Weight Stack Label	19

** Upholstery & Frame Colors are listed at the end of the Parts Manual **

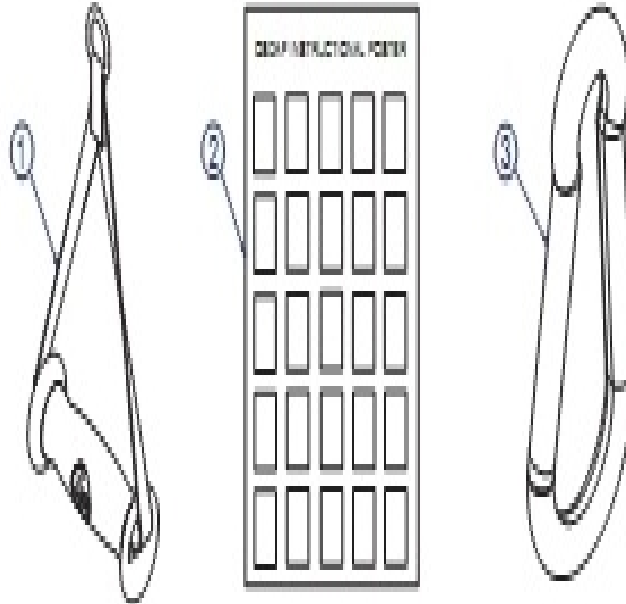
Accessories - Optional Accessories



Ref #	Part Number	Qty	Description
1	6851501	1	ROPE, TRICEP
2	7753001	1	LE/LC STRAP
3	7734701	1	STRAP, 4-WAY ANKLE
4	8219701	2	HANDLE, CM/MJ, LONG STRAP
5	7753201	1	ASSY, SPORT BAR
6	7753101	1	ASSY, LONG BAR

** Upholstery and Frame Colors are list at the end of the Parts Manual **

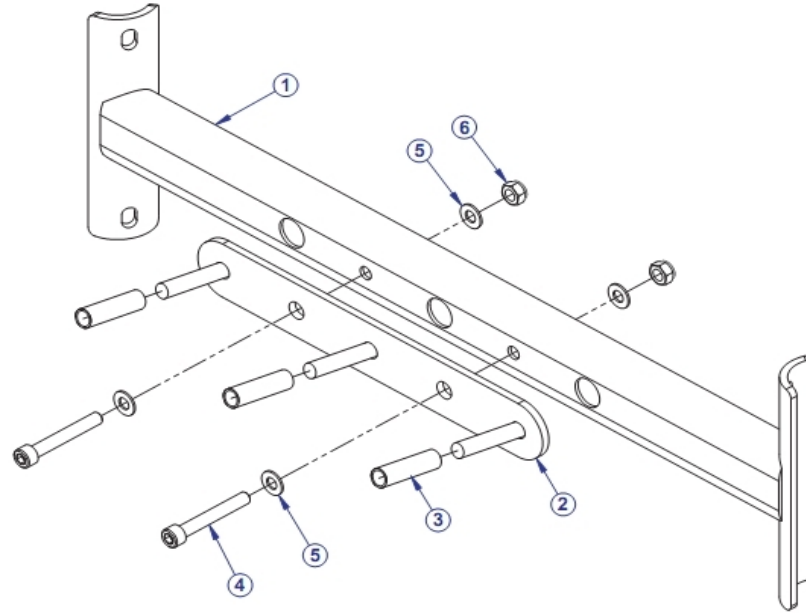
Accessories - Supplied Accessories



Ref #	Part Number	Qty	Description
1	8219601	2	HANDLE, CM/MJ/OSDAP, SHORT STRAP
2	8695001	1	POSTER, OSDAP INSTRUCTIONAL
3	3250201	2	SNAP LINK, 3/8" DIA

** Upholstery and Frame Colors are list at the end of the Parts Manual **

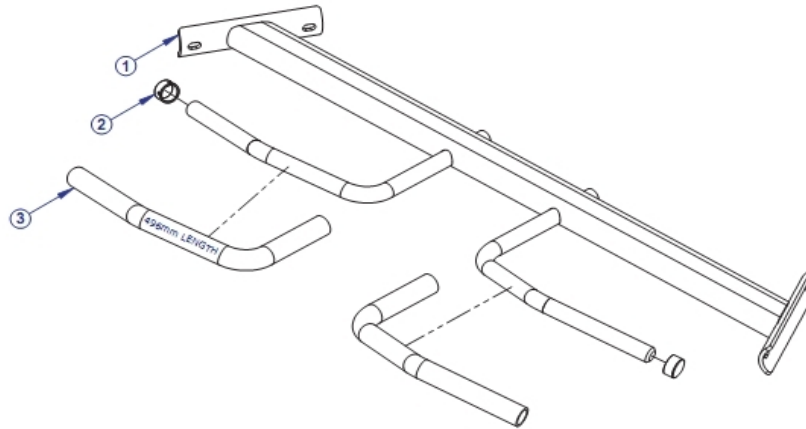
Accessory Cross Brace Assembly



Ref #	Part Number	Qty	Description
1	8856899	1	WLDMT, OSDAP, X-BRACE, ACC -CUS
2	7644895	1	WLDMT, CM/OSDAP ACC RACK SHADOW GRAY
3	7749601	3	SLEEVE, .50" ID X 2.25"
4	3251711	2	M10 X 1.5 X 70 HXS SOC CS ST ZN
5	3102514	4	WASHER, FLAT 3/8 IN SAE ST ZN
6	LEA3242002	2	Hardware: Hex Nut 10MM D

** Upholstery and Frame Colors are list at the end of the Parts Manual **

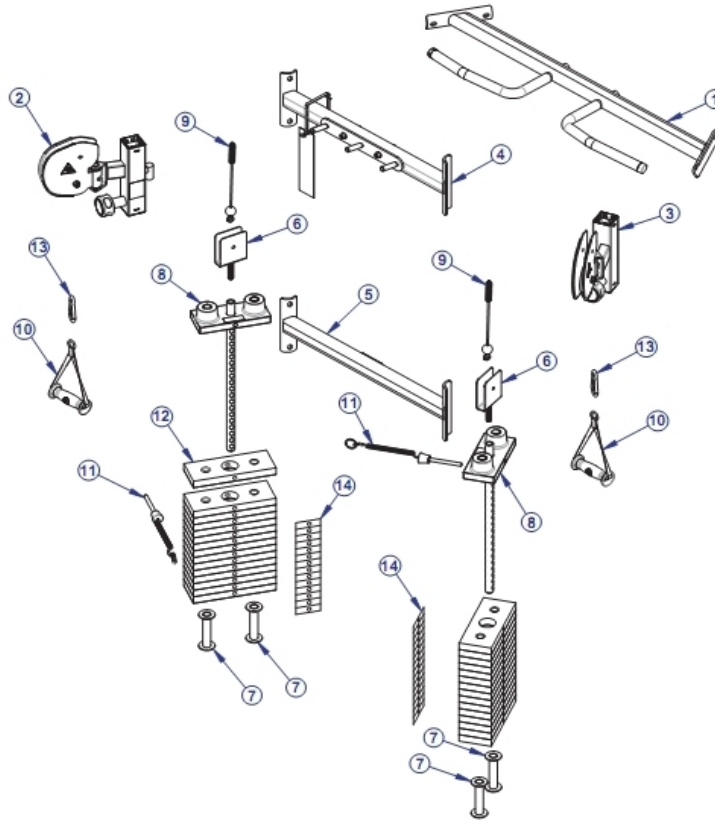
Chin Up Assembly



Ref #	Part Number	Qty	Description
1	8787599	1	ASSY, OSDAP, CHIN UP -CUS
2	7662901	2	CAP; GRIP 1.25 OD
3	3235801	2	GRIP, 1.25 OD X .125 WALL OPEN END

** Upholstery and Frame Colors are list at the end of the Parts Manual **

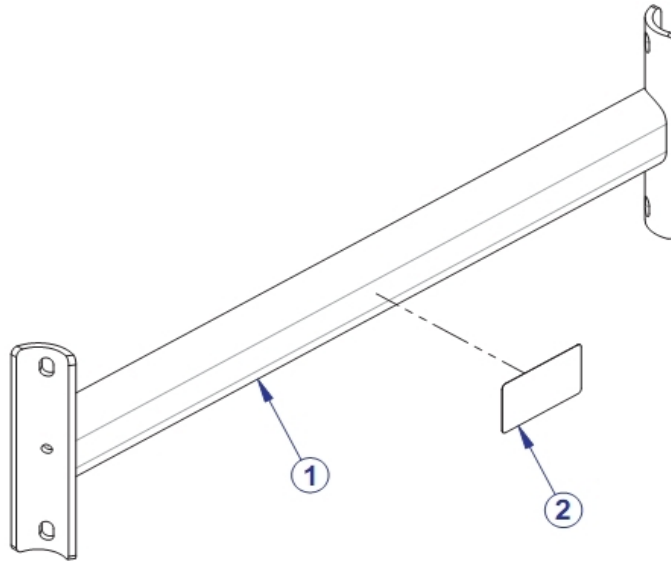
Component Assembly



Ref #	Part Number	Qty	Description
1	8787599	1	ASSY, OSDAP, CHIN UP -CUS
2	8859799	1	ASSY, OSDAP, CARRIAGE, LEFT -CUS
3	8859999	1	ASSY, OSDAP, CARRIAGE, RIGHT-CUS
4	8856299	1	ASSY, OSDAP, X-BRACE, ACC -CUS
5	8980099	1	ASSY, OSDAP, X-BRACE -CUS
6	8861795	2	WLDMT, OSDAP, HEAD PLATE PULLEY -SG
7	8924595	4	WLDMT, OSDAP, WT STACK SPACER -SG
8	8931101	2	ASSY, OSDAP, HEAD PLATE
9	8943801	1	INSERT, CM/MJ, CABLE END
9	3250002	2	M5 X 0.8 X 8 HXS SOC CS ST BZ
9	9138301	1	CABLE, OSDAP
9	8943701	1	HSNG, CM/MJ, CABLE END
9	8943601	1	LINK, CM/MJ, CABLE END
10	8219601	2	HANDLE, CM/MJ/OSDAP, SHORT STRAP
11	8506101	2	ASSY, SELECTOR PIN
12	7353701	30	WEIGHT PLATE, 10 LB
13	3250201	2	SNAP LINK, 3/8" DIA
14	8947601	2	LABEL, WEIGHT STACK, 21 PLATE

** Upholstery and Frame Colors are list at the end of the Parts Manual **

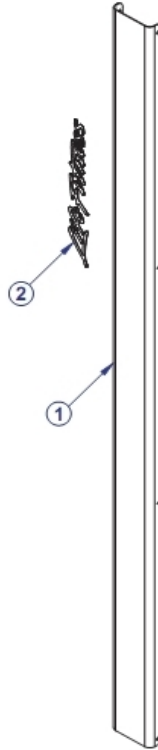
Cross Brace Assembly



Ref #	Part Number	Qty	Description
1	8980099	1	ASSY, OSDAP, X-BRACE -CUS

** Upholstery and Frame Colors are list at the end of the Parts Manual **

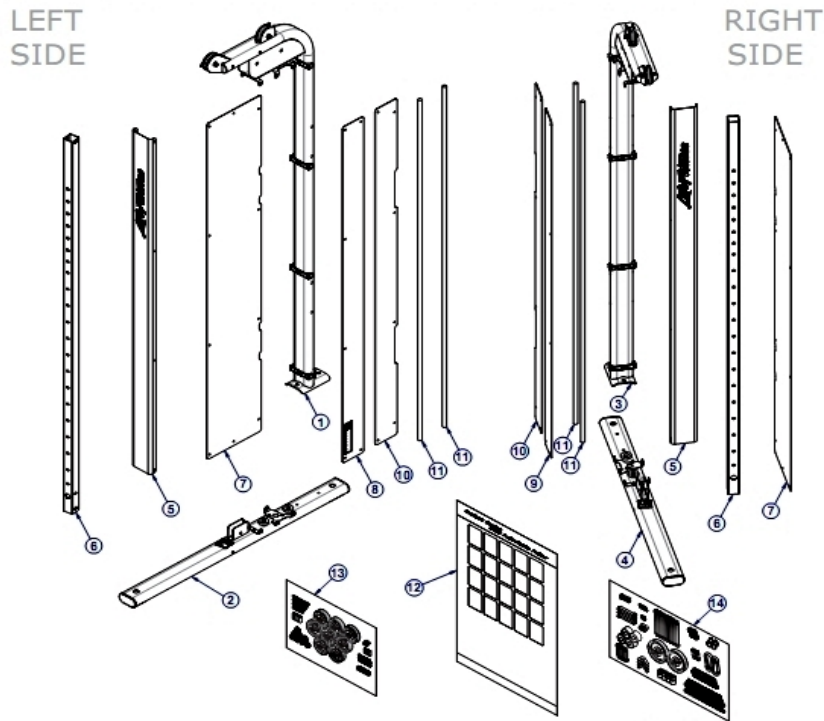
Frame Bracket Assembly



Ref #	Part Number	Qty	Description
1	8944099	1	ASSY, OSDAP, FRAME BRKT -CUS
2	8317001	1	LABEL, LIFE FIT 63.5MM X 381MM

** Upholstery and Frame Colors are list at the end of the Parts Manual **

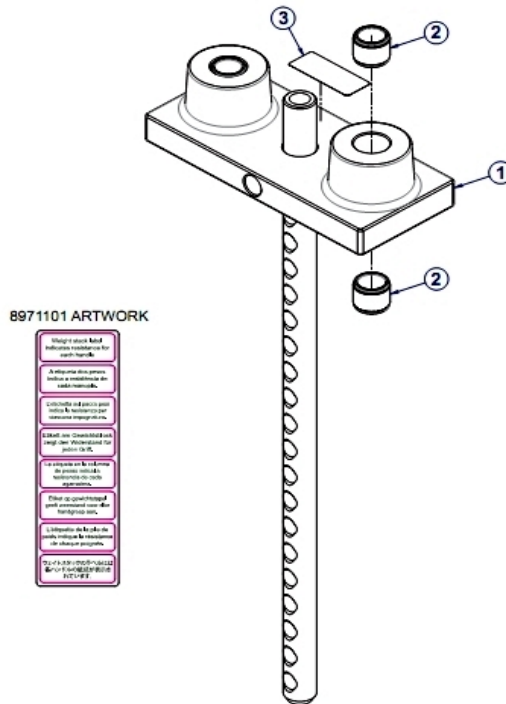
Frame, Shroud and Hardware Components



Ref #	Part Number	Qty	Description
1	8856799	1	ASSY, OSDAP, TOP FRAME, LH -CUS
2	8857099	1	ASSY, OSDAP, BOTTOM FRAME, LH -CUS
3	8861999	1	ASSY, OSDAP, TOP FRAME, RH -CUS
4	8862299	1	ASSY, OSDAP, BOTTOM FRAME, RH -CUS
5	8944099	2	ASSY, OSDAP, FRAME BRKT -CUS
6	8858601	2	TUBE, OSDAP, CABLE COLUMN
7	8863301	2	SHROUD, OSDAP, REAR
8	8978301	1	ASSY, OSDAP, FRONT SHROUD, LEFT
9	8863601	1	SHROUD, OSDAP, FRONT INSIDE
10	8863201	2	SHROUD, OSDAP, FRONT OUTSIDE
11	7328623	4	GUIDE ROD, .75 OD SOLID X 77.25
12	8695001	1	POSTER, OSDAP INSTRUCTIONAL
13	8989101	1	ASSY, OSDAP, BLISTER PACK, SMALL
14	8981201	1	ASSY, OSDAP, BLISTER PACK, LARGE

** Upholstery and Frame Colors are list at the end of the Parts Manual **

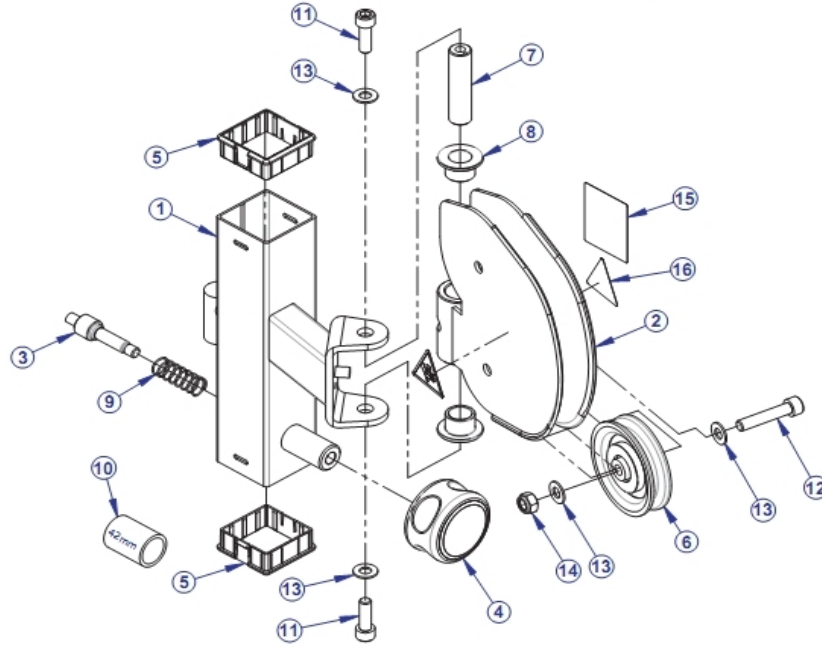
Head Plate Assembly



Ref #	Part Number	Qty	Description
1	8931101	1	ASSY, OSDAP, HEAD PLATE
2	3236101	4	BUSHING, WEIGHT PLATE
3	8971101	1	LABEL, WEIGHT AT HANDLE, SELECT

** Upholstery and Frame Colors are list at the end of the Parts Manual **

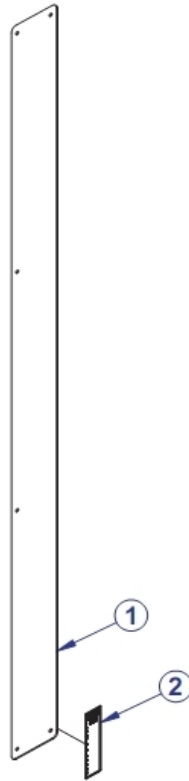
Left Carriage Assembly



Ref #	Part Number	Qty	Description
1	8859599	1	WLDMT, OSDAP, CARRIAGE, LH -CUS
2	8859699	1	WLDMT, OSDAP, SWIVEL PULLEY -CUS
3	8924001	1	ASSY, OSDAP PULL PIN, BEVEL NOSE
4	8396301	1	ASSY, OVERMOLD GRIP
5	8920301	2	BUSHING, OSDAP CARRIAGE
6	3245701	1	PULLEY, 3.5 IN OD, 10MM ID SG
7	8452606	1	SHAFT, 19MM DIA X 76.375MM
8	3266603	2	BEARING, FLANGE, 19 MM
9	7351502	1	SPRING, PULL PIN LARGE, SHORT
10	3235801	1	GRIP, 1.25 OD X .125 WALL OPEN END
11	3251703	2	M10 X 1.5 30 HXS SOC CS ST ZN
12	3251707	1	M10 X 1.5 X 50 HXS SOC CS ST ZN
13	3102514	4	WASHER, FLAT 3/8 IN SAE ST ZN
14	LEA3242002	1	Hardware: Hex Nut 10MM D
15	8973301	1	LABEL, WARNING ADJ. CARRIAGE, OSDAP, LEFT
16	8039501	2	LABEL, WARNING TRIANGLE

** Upholstery and Frame Colors are list at the end of the Parts Manual **

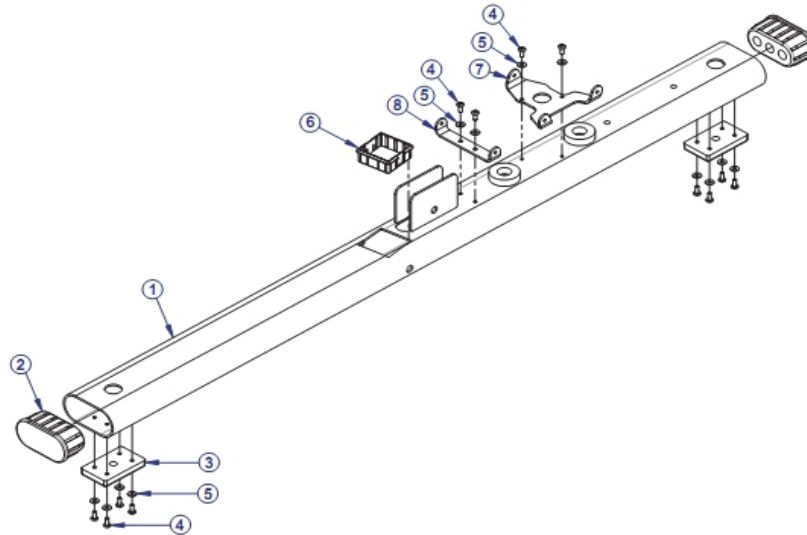
Left Front Shroud Assembly



Ref #	Part Number	Qty	Description
1	8978301	1	ASSY, OSDAP, FRONT SHROUD, LEFT
2	8630801	1	LABEL, ASTM, SELECT VERT-SHEET

** Upholstery and Frame Colors are list at the end of the Parts Manual **

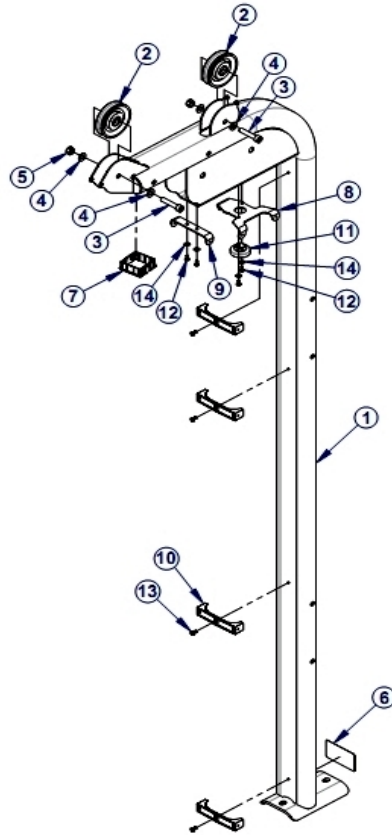
Left Hand Bottom Frame Assembly



Ref #	Part Number	Qty	Description
1	8858999	1	WLDMT, OSDAP, BOTTOM FRAME, LH -CUS
2	8012901	2	CAP, MFLOV/OSDAP END
3	7810801	2	PAD, RUBBER FOOT, 10-0101-006, BNR
4	LEA3239102	12	Hardware: Screw
5	3114407	12	WASHER, FLAT #10 SAE ST BZ
6	8920302	1	BUSHING, OSDAP, FRAME
7	8924795	1	BRKT, OSDAP, SHROUD, CENTER -SG
8	8857395	1	BRKT, OSDAP, SHROUD -SG

** Upholstery and Frame Colors are list at the end of the Parts Manual **

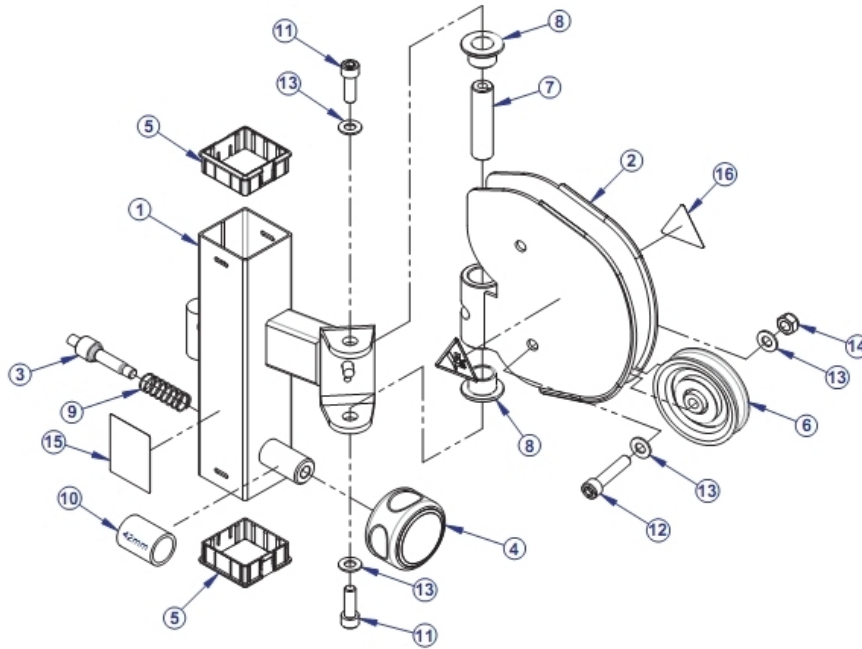
Left Hand Top Frame Assembly



Ref #	Part Number	Qty	Description
1	8856699	1	WLDMT, OSDAP, TOP FRAME, LH -CUS
2	3245701	2	PULLEY, 3.5 IN OD, 10MM ID SG
3	3251707	2	M10 X 1.5 X 50 HXS SOC CS ST ZN
4	3102514	4	WASHER, FLAT 3/8 IN SAE ST ZN
5	LEA3242002	2	Hardware: Hex Nut 10MM D
7	8920302	1	BUSHING, OSDAP, FRAME
8	8924795	1	BRKT, OSDAP, SHROUD, CENTER -SG
9	8857395	1	BRKT, OSDAP, SHROUD -SG
10	8924201	4	BRKT, OSDAP, SHROUD, MOLDED
11	7642301	1	BUMPER, CM/MJ/OSDAP, PLUG
12	3239101	4	SCREW, M5 X .8 X 10 PHL PAN TT ST BZ
13	3271601	4	SCREW, M5 X 10 PHL PAN MS ST ZN
14	3114407	4	WASHER, FLAT #10 SAE ST BZ

** Upholstery and Frame Colors are list at the end of the Parts Manual **

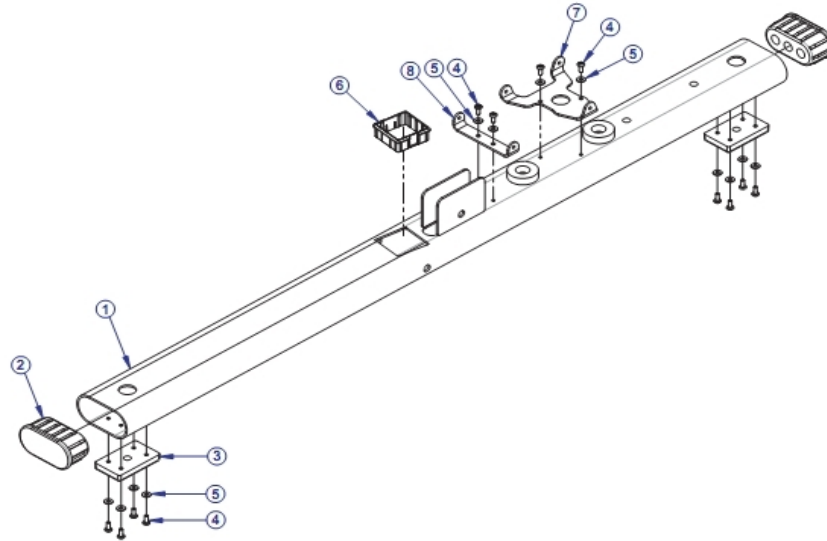
Right Carriage Assembly



Ref #	Part Number	Qty	Description
1	8859899	1	WLDMT, OSDAP, CARRIAGE, RH -CUS
2	8859699	1	WLDMT, OSDAP, SWIVEL PULLEY -CUS
3	8924001	1	ASSY, OSDAP PULL PIN, BEVEL NOSE
4	8396301	1	ASSY, OVERMOLD GRIP
5	8920301	2	BUSHING, OSDAP CARRIAGE
6	3245701	1	PULLEY, 3.5 IN OD, 10MM ID SG
7	8452606	1	SHAFT, 19MM DIA X 76.375MM
8	3266603	2	BEARING, FLANGE, 19 MM
9	7351502	1	SPRING, PULL PIN LARGE, SHORT
10	3235801	1	GRIP, 1.25 OD X .125 WALL OPEN END
11	3251703	2	M10 X 1.5 30 HXS SOC CS ST ZN
12	3251707	1	M10 X 1.5 X 50 HXS SOC CS ST ZN
13	3102514	4	WASHER, FLAT 3/8 IN SAE ST ZN
14	LEA3242002	1	Hardware: Hex Nut 10MM D
15	8973302	1	LABEL, WARNING, ADJ. CARRIAGE, OSDAP, RIGHT
16	8039501	2	LABEL, WARNING TRIANGLE

** Upholstery and Frame Colors are list at the end of the Parts Manual **

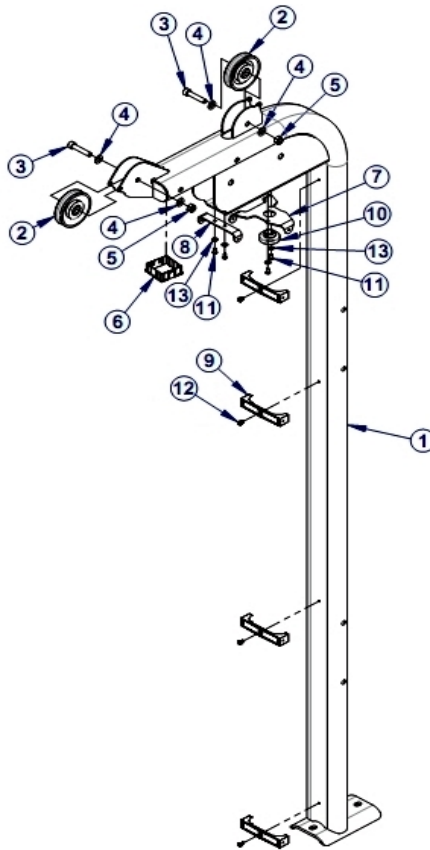
Right Hand Bottom Frame Assembly



Ref #	Part Number	Qty	Description
1	8862199	1	WLDMT, OSDAP, BOTTOM FRAME, RH -CUS
2	8012901	2	CAP, MFLOV/OSDAP END
3	7810801	2	PAD, RUBBER FOOT, 10-0101-006, BNR
4	LEA3239102	12	Hardware: Screw
5	3114407	12	WASHER, FLAT #10 SAE ST BZ
6	8920302	1	BUSHING, OSDAP, FRAME
7	8924795	1	BRKT, OSDAP, SHROUD, CENTER -SG
8	8857395	1	BRKT, OSDAP, SHROUD -SG

** Upholstery and Frame Colors are list at the end of the Parts Manual **

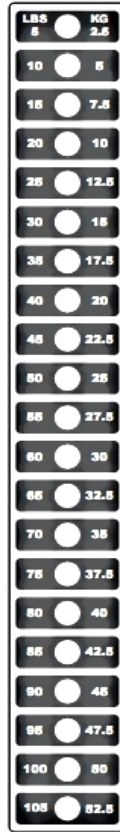
Right Hand Top Frame Assembly



Ref #	Part Number	Qty	Description
1	8861899	1	WLDMT, OSDAP, TOP FRAME, RH -CUS
2	3245701	2	PULLEY, 3.5 IN OD, 10MM ID SG
3	3251707	2	M10 X 1.5 X 50 HXS SOC CS ST ZN
4	3102514	4	WASHER, FLAT 3/8 IN SAE ST ZN
5	LEA3242002	2	Hardware: Hex Nut 10MM D
6	8920302	1	BUSHING, OSDAP, FRAME
7	8924795	1	BRKT, OSDAP, SHROUD, CENTER -SG
8	8857395	1	BRKT, OSDAP, SHROUD -SG
9	8924201	4	BRKT, OSDAP, SHROUD, MOLDED
10	7642301	1	BUMPER, CM/MJ/OSDAP, PLUG
11	3239101	4	SCREW, M5 X .8 X 10 PHL PAN TT ST BZ
12	3271601	4	SCREW, M5 X 10 PHL PAN MS ST ZN
13	3114407	4	WASHER, FLAT #10 SAE ST BZ

** Upholstery and Frame Colors are list at the end of the Parts Manual **

Weight Stack Label



Ref #	Part Number	Qty	Description
-	8947601	1	LABEL, WEIGHT STACK, 21 PLATE

** Upholstery and Frame Colors are list at the end of the Parts Manual **

Frame and Upholstery Color Chart

Frame Colors



Note: Include frame color in order notes when ordering frame assemblies or weldments.

Upholstery Colors



Replace '99' with the above color suffix when ordering pads (i.e. 7412399 = 7412301 BLACK)

