

# Optima Series - Hip Abductor/Adductor

OSHAA

## Parts Manual

3/7/2023 9:50:23 AM



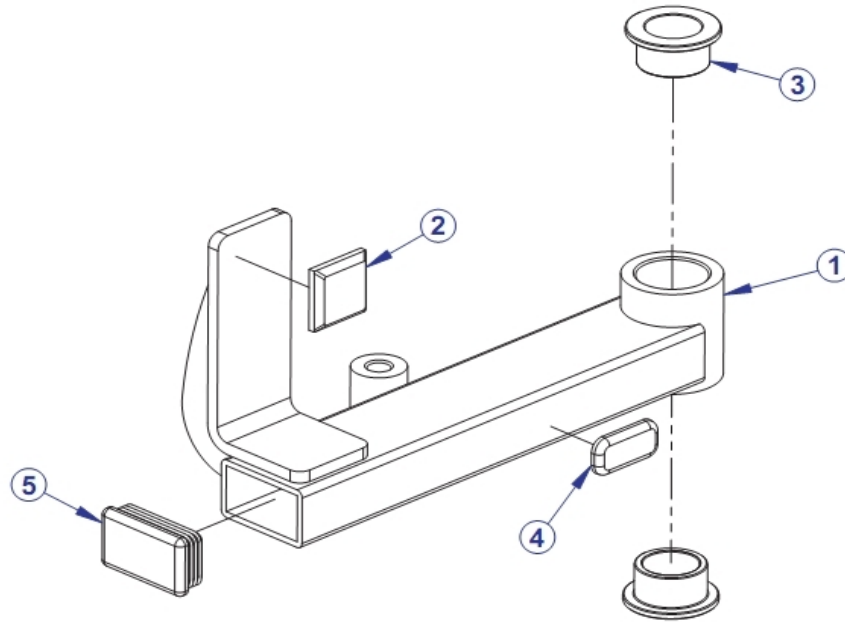
**Table of Contents**

---

<a href="#">Abductor Arm Assembly</a> .....	3
<a href="#">Adductor Arm Assembly</a> .....	4
<a href="#">Base Assembly</a> .....	5
<a href="#">Component Assembly</a> .....	7
<a href="#">Frame Box Assembly</a> .....	8
<a href="#">Hardware Bag 1</a> .....	9
<a href="#">Hardware Bag 2</a> .....	11
<a href="#">Head Plate Assembly</a> .....	12
<a href="#">Incremental Weight Assembly</a> .....	13
<a href="#">Left Arm Assembly</a> .....	14
<a href="#">Main Frame Assembly</a> .....	15
<a href="#">Multi-language Sheets</a> .....	16
<a href="#">Optional Shroud Assembly</a> .....	17
<a href="#">Placards</a> .....	18
<a href="#">Right Arm Assembly</a> .....	19
<a href="#">Seat Back Assembly</a> .....	20
<a href="#">Selector Assembly</a> .....	21
<a href="#">Tower Assembly</a> .....	22
<a href="#">Tower Sub Assembly</a> .....	24
<a href="#">Work Arm Assembly</a> .....	25

\*\* Upholstery & Frame Colors are listed at the end of the Parts Manual \*\*

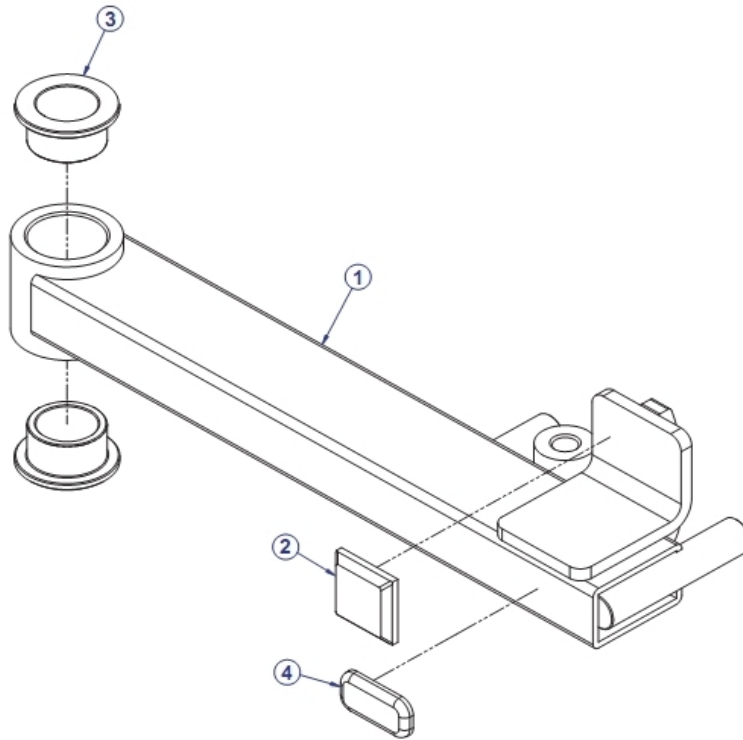
## Abductor Arm Assembly



Ref #	Part Number	Qty	Description
1	8437602	1	WLDMT, ABD PIVOT ARM Platinum
2	LEA3116001	1	Bumper; Rubber 1-1/4 SQ
3	3266604	2	BEARING FLG, 25MM ID X 32 OD X 19.1 #3104953
4	7570801	1	GUARD, PAINT 1.25 X .75 X .25
5	8737801	1	CAP, END 50 X 30 RECT

\*\* Upholstery and Frame Colors are list at the end of the Parts Manual \*\*

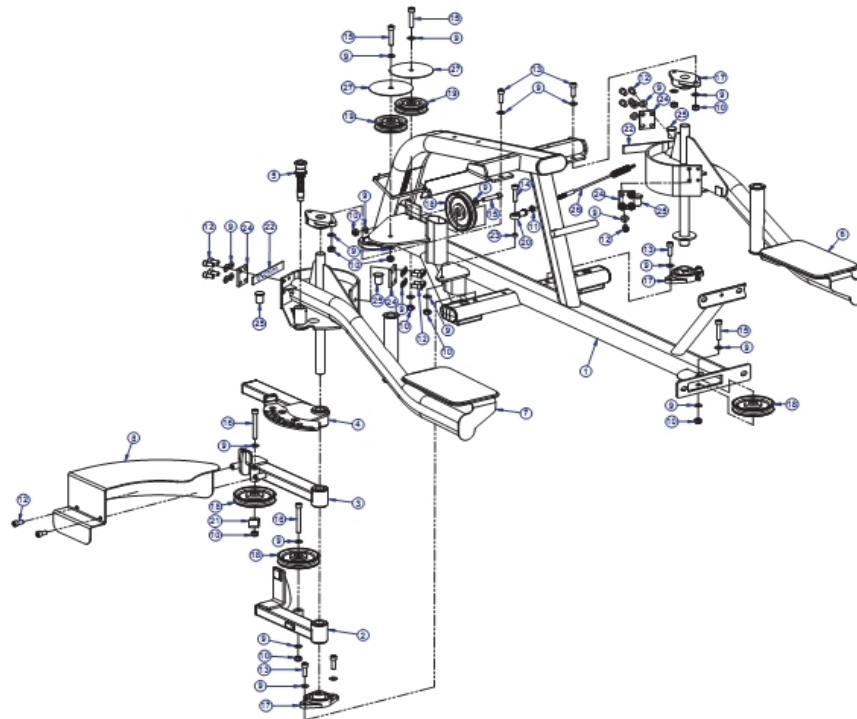
## Adductor Arm Assembly



Ref #	Part Number	Qty	Description
1	8437802	1	WLDMT, OSHAA, ADD ARM Platinum
2	LEA3116001	1	Bumper; Rubber 1-1/4 SQ
3	3266604	2	BEARING FLG, 25MM ID X 32 OD X 19.1 #3104953
4	7570801	1	GUARD, PAINT 1.25 X .75 X .25

\*\* Upholstery and Frame Colors are list at the end of the Parts Manual \*\*

## Base Assembly

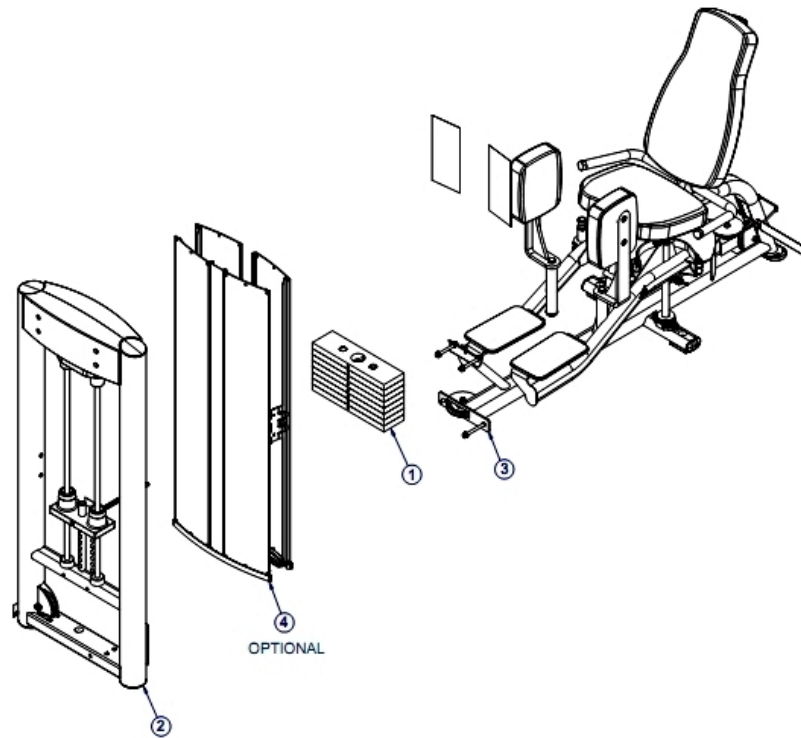


Ref #	Part Number	Qty	Description
1	8437502	1	PTD ASSY, MAIN FRAME, OSHAA Platinum
2	8437702	1	PTD ASSY, ABD ARM - PLT
3	8437902	1	PTD ASSY, OSHAA, ADD ARM - PLT
4	8438002	1	PTD ASSY, OSHAA, WORK ARM - PLT
5	8544201	1	ASSY, OS, SPRING PIN
6	8711702	1	ASSY, OSHAA, LT ARM- Platinum Clear
7	8850802	1	ASSY, OSHAA, RT ARM Platinum
8	8737402	1	WLDMT, OSHAA SHROUD Platinum
9	3102514	40	WASHER, FLAT 3/8 IN SAE ST ZN
10	LEA3242002	11	Hardware: Hex Nut 10MM D
11	3236901	1	NUT, HEX JAM M10 X 1.5 SS
12	3251701	18	M10 X 1.5 20 HXS SOC CS ST ZN
13	3251703	8	M10 X 1.5 30 HXS SOC CS ST ZN
14	3251705	1	M10 X 1.5 X 40 HXS SOC CS ST ZN McMaster 95263A767
15	3251707	4	M10 X 1.5 X 50 HXS SOC CS ST ZN
16	3251713	2	M10 X 1.5 X 80 HXS SOC CS ST ZN
17	3237701	4	ASSY,PILLOW BLOCK 4.88 X 2.75
18	3237801	4	PULLEY, 1/4 IN CABLE (T3), 4.5 IN OD
19	3245701	2	PULLEY, 3.5 IN OD, 10MM ID SG
20	3237901	1	ROD END, METRIC FEMALE
21	6757701	1	CLIP, CABLE 2-7/8 X 1 X 1

Ref #	Part Number	Qty	Description
22	7435701	2	BELT, SPOOLED W 15/16 T .09
23	7489402	1	BSHNG,.500 OD X .402 ID X .235
24	8696602	4	PLATE, OSHAA, BELT Platinum
25	8697201	4	BAR, OSHAA, BELT DOWEL
26	8756201	1	CABLE, OSHAA
27	8815202	2	PLATE, 3.5" PULLEY GUARD Platinum

\*\* Upholstery and Frame Colors are list at the end of the Parts Manual \*\*

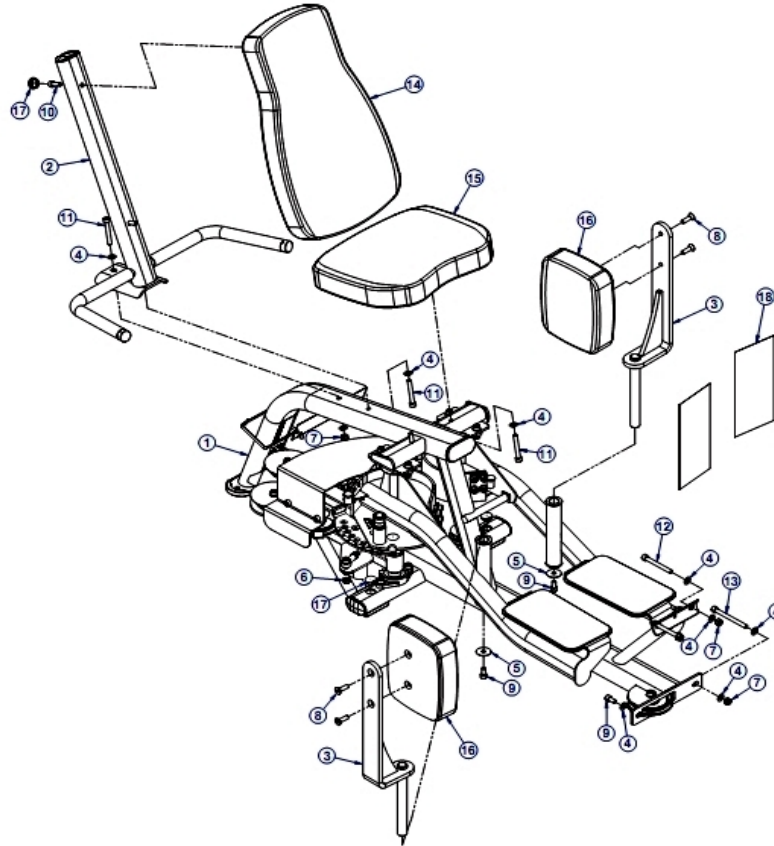
## Component Assembly



Ref #	Part Number	Qty	Description
1	7353801	8	WEIGHT PLATE, 15 LB (SHADOW GRAY)
4	8815501	1	SHR KIT, OSHAATWR
-	8766316	1	LABEL, OSHAA, HIP ABDUCTOR, MULTI LANG SHEET
-	8766305	1	LABEL, OSHAA, HIP ADDUCTOR, MULTI LANG SHEET

\*\* Upholstery and Frame Colors are list at the end of the Parts Manual \*\*

# Frame Box Assembly



Ref #	Part Number	Qty	Description
2	8438301	1	PTD ASSY, OSHAA, SEATBACK- White
3	8439202	2	WLDMT, OSHAA, PAD SUPPORT Platinum
4	3102514	14	WASHER, FLAT 3/8 IN SAE ST ZN
5	3236701	2	WSHR,FENDER 3/8 ID X 1.5 OD SS
6	3236902	1	NUT, HEX JAM M16 X 2 SS
7	LEA3242002	4	Hardware: Hex Nut 10MM D
8	3257207	4	M10 X 1.5 35MM FLT HD
9	3251701	3	M10 X 1.5 20 HXS SOC CS ST ZN
10	3251703	2	M10 X 1.5 30 HXS SOC CS ST ZN
11	3251711	4	M10 X 1.5 X 70 HXS SOC CS ST ZN
12	3251715	2	M10 X 1.5 X 90 HXS SOC CS ST ZN McMaster 91292A222
13	3251718	1	M10 X 1.5 X 110 HXS SOC CS ST ZN
14	8465099	1	PAD, LARGE BACK, FLAT- Custom
15	8738799	1	PAD, LARGE CHAIR, FLAT- Custom
16	8738899	2	PAD, HIP ADB/ADD, THIGH- Custom
17	3237403	4	PLUG, 1 IN HOLE
18	8766205	1	LABEL, OSHAA, PLACARD

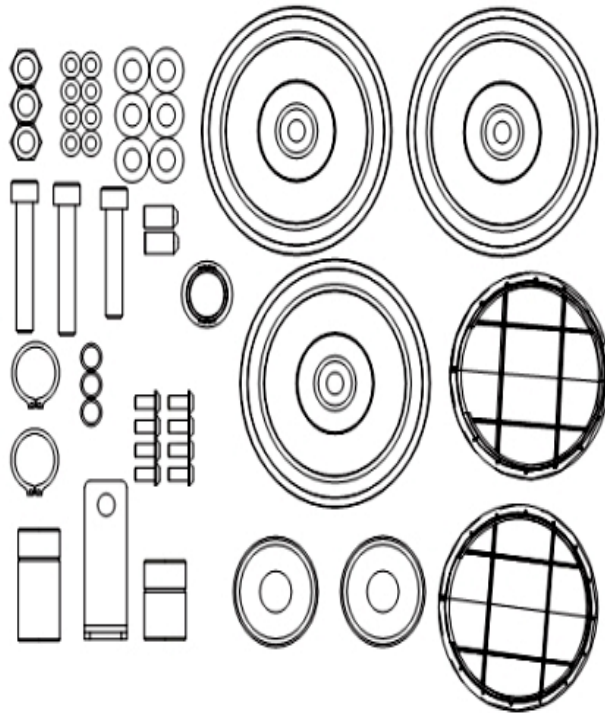
\*\* Upholstery and Frame Colors are list at the end of the Parts Manual \*\*





\*\* Upholstery and Frame Colors are list at the end of the Parts Manual \*\*

## Hardware Bag 2



Ref #	Part Number	Qty	Description
11	3237801	3	PULLEY, 1/4 IN CABLE (T3), 4.5 IN OD
12	6757701	1	CLIP, CABLE 2-7/8 X 1 X 1
13	7352101	2	CUSHION, WEIGHT STACK
14	8371001	2	CAP, OS TOWER, TOP
15	8692801	1	RETAINER, GUIDE ROD, SHORT
16	8692802	1	RETAINER, GUIDEROD, LONG
-	OSHAATWR-HDWR-C	1	Hardware: Assembly, OSHAATWR Blister Pack

\*\* Upholstery and Frame Colors are list at the end of the Parts Manual \*\*

## Head Plate Assembly

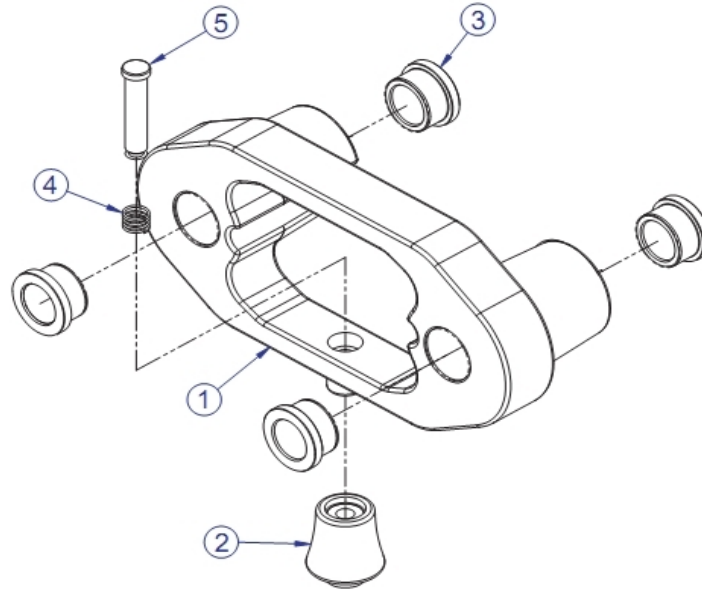
---

Ref #	Part Number	Qty	Description
1	8664101	1	ASSY, OS, HEAD PLATE
2	8331702	1	BAYONET, OS, 8 PLATE
3	3236001	1	BUSHING, SPRING PIN
4	7767601	2	BUMPER, PS INCREMENT

\*\* Upholstery and Frame Colors are list at the end of the Parts Manual \*\*

## Incremental Weight Assembly

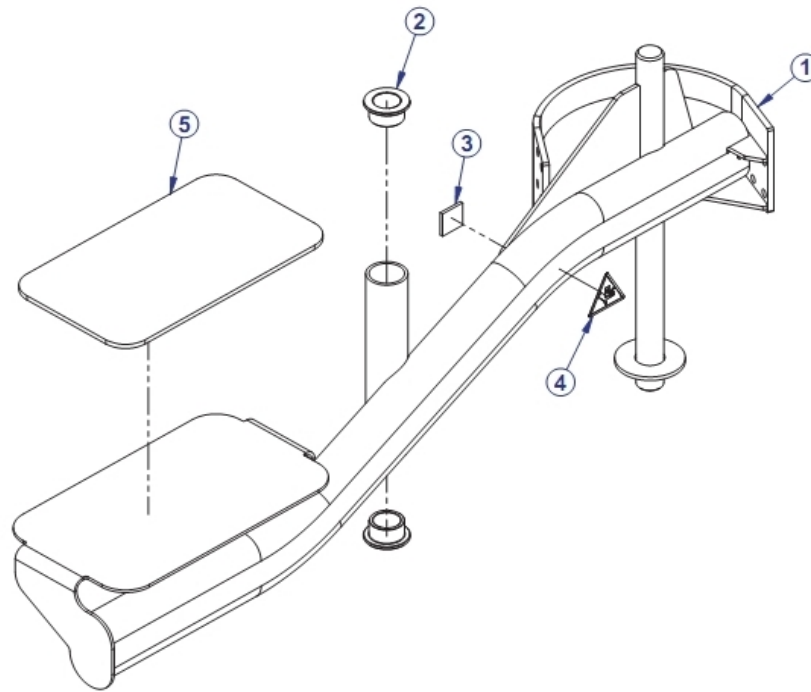
---



Ref #	Part Number	Qty	Description
1	8504201	1	BODY, INCREMENT WEIGHT, 7 LB
2	8048001	1	KNOB, TULIP STYLE
3	8045001	4	BEARING, INCREMENT WEIGHT
4	7447001	1	SPRING, COMPRESSION
5	7446901	1	PIN, RETAINING

\*\* Upholstery and Frame Colors are list at the end of the Parts Manual \*\*

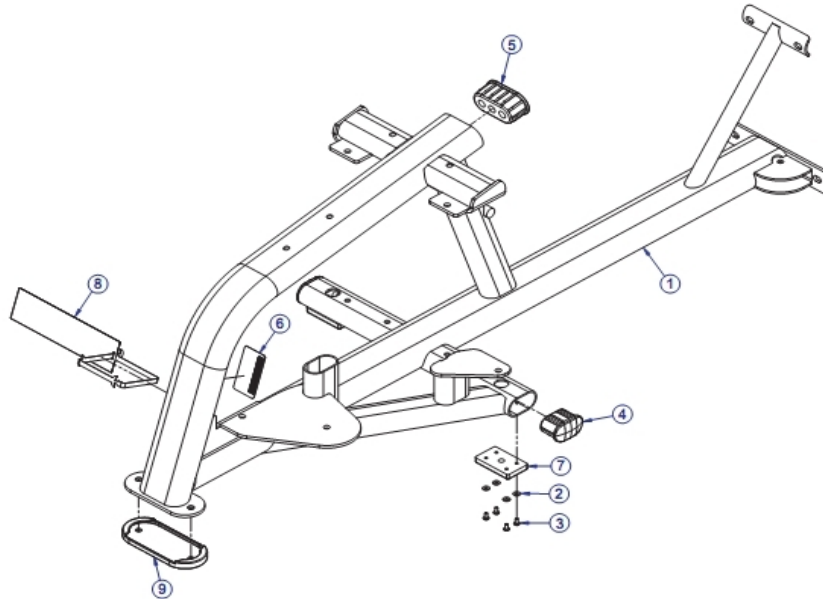
## Left Arm Assembly



Ref #	Part Number	Qty	Description
1	8711102	1	WLDMT, OSHA, LT ARM - PLT
2	3266604	2	BEARING FLG, 25MM ID X 32 OD X 19.1 #3104953
3	6140701	1	GLIDE, 1 X 1
4	8039501	1	LABEL, WARNING TRIANGLE
5	8814801	1	FOOT PAD, OSHA

\*\* Upholstery and Frame Colors are list at the end of the Parts Manual \*\*

# Main Frame Assembly

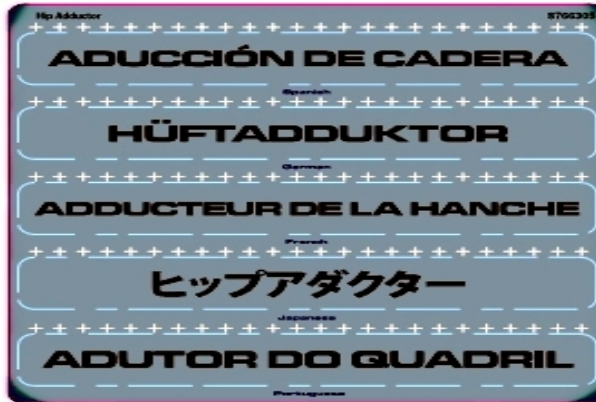


Ref #	Part Number	Qty	Description
1	8448402	1	WLDMT, OSHAA, MAIN FRAME - PLT
2	3114407	8	WASHER, FLAT #10 SAE ST BZ
3	3239101	8	SCREW,M5 X .8 X 10 PHL PAN TT ST BZ
4	7800501	2	CAP, SML FLOV END
5	8012901	1	CAP, MFLOV/OSDAP END
7	7810801	2	PAD, RUBBER FOOT, 10-0101-006, BNR
8	8343101	1	TAG, BOLT TO FLOOR
9	8474501	1	FOOT, OPTIMA

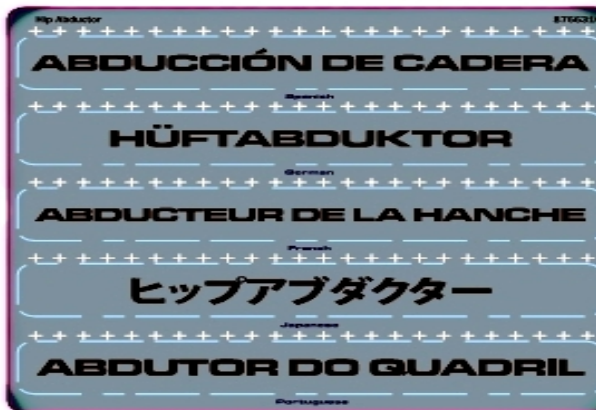
\*\* Upholstery and Frame Colors are list at the end of the Parts Manual \*\*

Multi-language Sheets

8766305  
ADDUCTOR



8766316  
ABDUCTOR



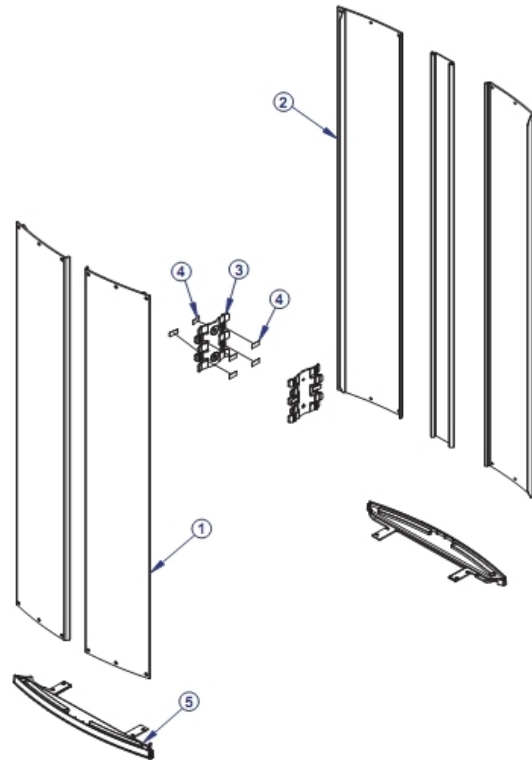
Ref #	Part Number	Qty	Description
1	8766305	1	LABEL, OSHAA, HIP ADDUCTOR, MULTI LANG SHEET
1	8766316	1	LABEL, OSHAA, HIP ABDUCTOR, MULTI LANG SHEET

\*\* Upholstery and Frame Colors are list at the end of the Parts Manual \*\*



## Optional Shroud Assembly

---

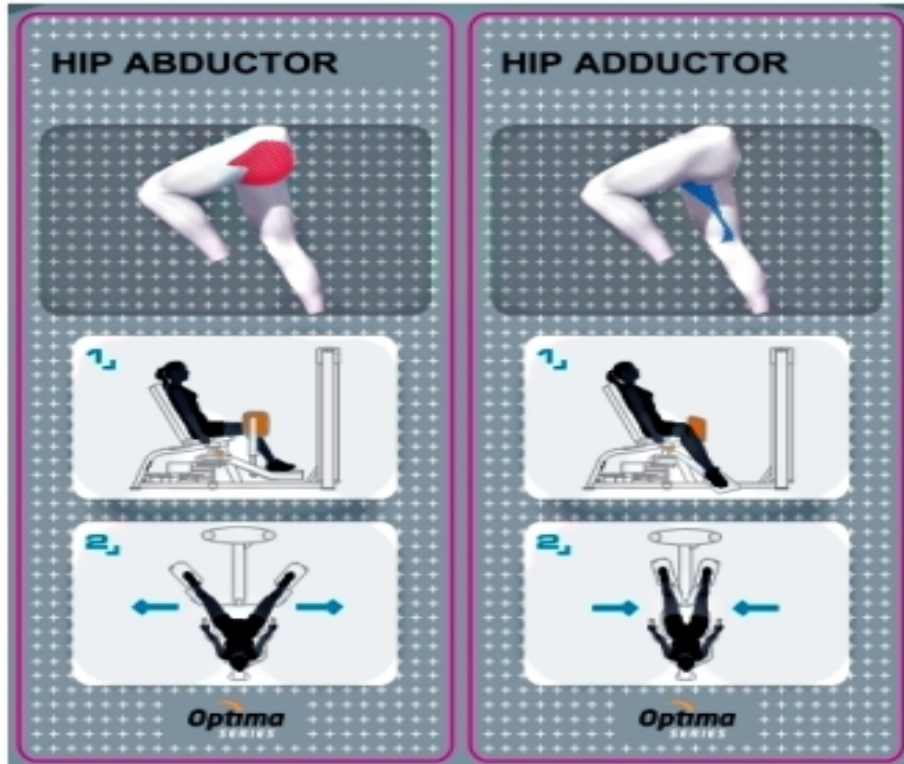


Ref #	Part Number	Qty	Description
1	8370801	4	SHROUD, OS TOWER
2	8370901	1	SHROUD, OS TOWER, CENTER, STD
3	8371201	2	CLIP, OS TOWER
4	8682601	12	TAPE, NON-SKID, CLEAR
5	8686601	2	COVER, OSHAATWR, BOTTOM

\*\* Upholstery and Frame Colors are list at the end of the Parts Manual \*\*

Placards

PLACARD ARTWORK

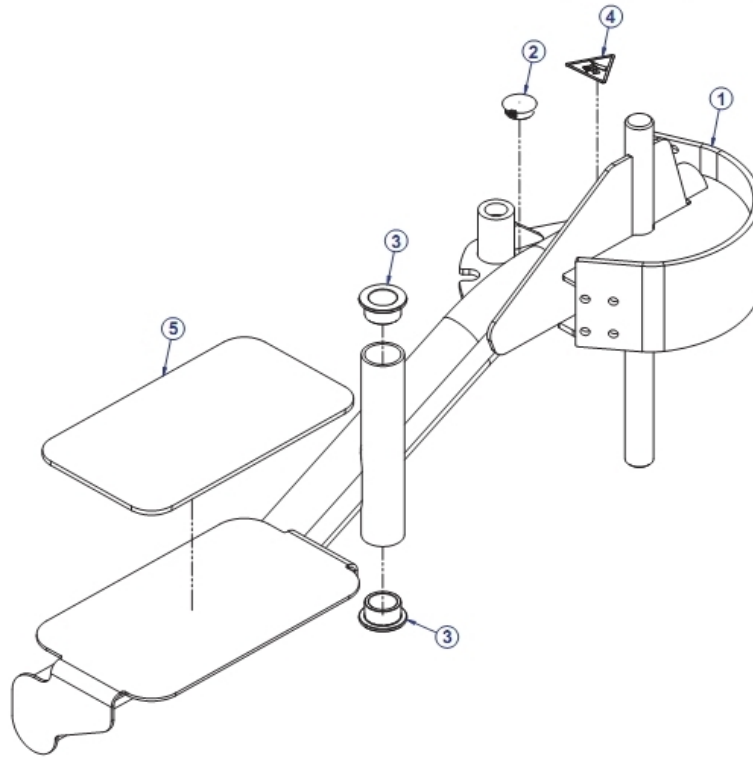


Ref #	Part Number	Qty	Description
1	8766205	1	LABEL, OSHAA, PLACARD

\*\* Upholstery and Frame Colors are list at the end of the Parts Manual \*\*

## Right Arm Assembly

---

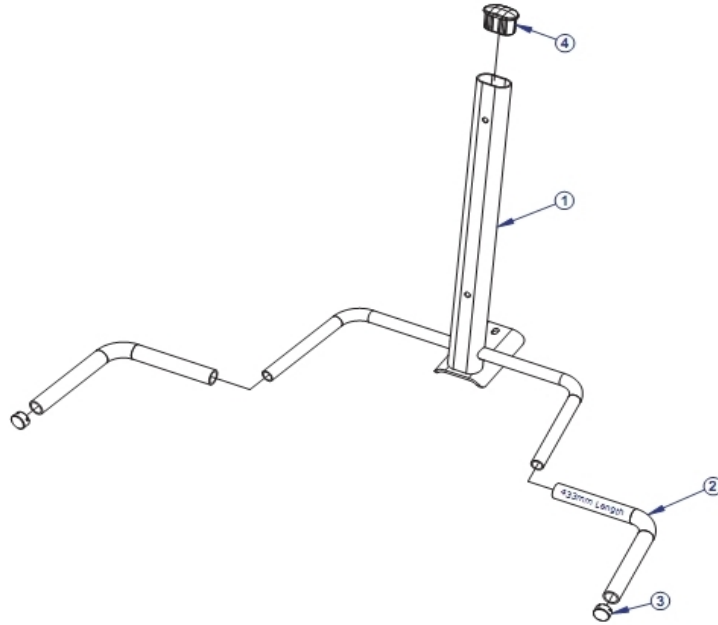


Ref #	Part Number	Qty	Description
1	8737202	1	WLDMT, OSHAA, RT ARM - PLT
2	3237403	1	PLUG, 1 IN HOLE
3	3266604	2	BEARING FLG, 25MM ID X 32 OD X 19.1 #3104953
4	8039501	1	LABEL, WARNING TRIANGLE
5	8814801	1	FOOT PAD, OSHAA

\*\* Upholstery and Frame Colors are list at the end of the Parts Manual \*\*

## Seat Back Assembly

---

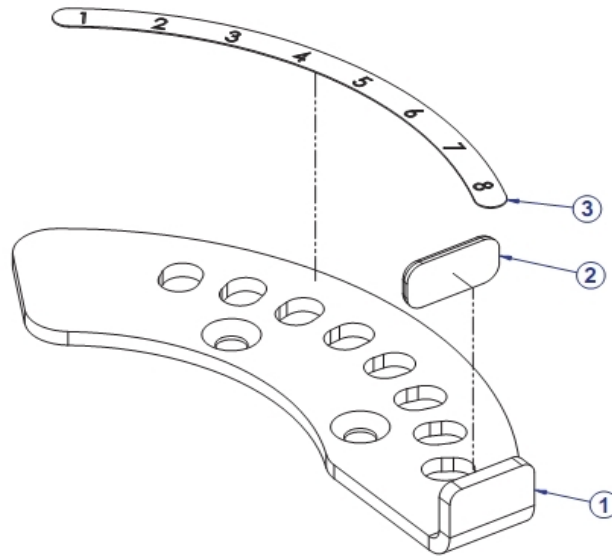


Ref #	Part Number	Qty	Description
1	8438202	1	WLDMT, OSHAA SEATBACK- Platinum Clear
2	3235801	2	GRIP, 1.25 OD X .125 WALL OPEN END
3	7662901	2	CAP; GRIP 1.25 OD
4	7800501	1	CAP, SML FLOV END

\*\* Upholstery and Frame Colors are list at the end of the Parts Manual \*\*

## Selector Assembly

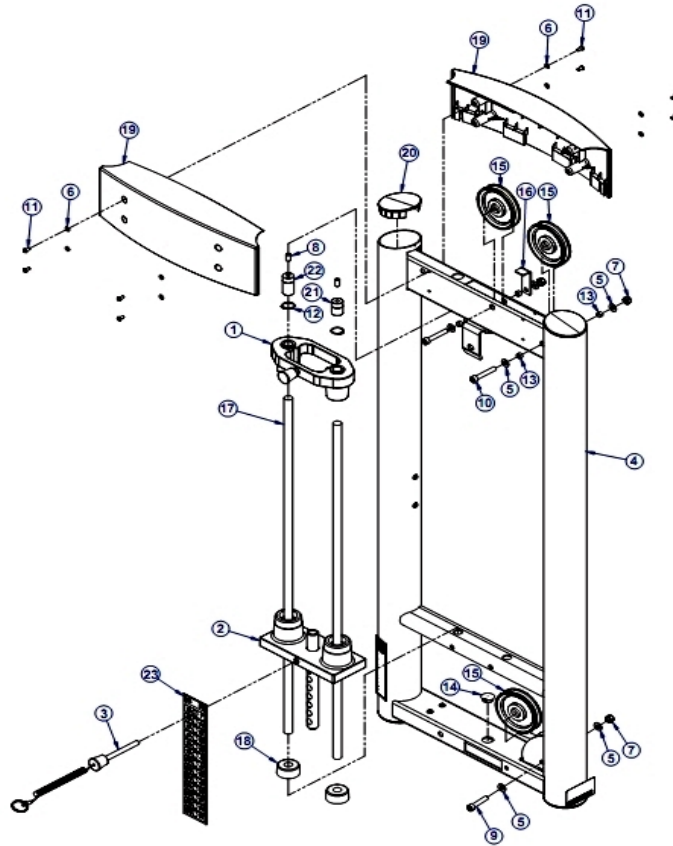
---



Ref #	Part Number	Qty	Description
1	8698301	1	BRKT, OSHAA, SELECTOR
2	7570801	1	GUARD, PAINT 1.25 X .75 X .25
3	8755901	1	LABEL, OSHAA, SELECTOR

\*\* Upholstery and Frame Colors are list at the end of the Parts Manual \*\*

## Tower Assembly

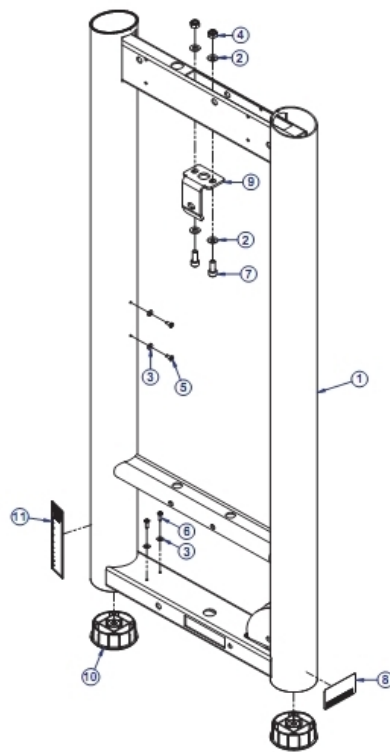


Ref #	Part Number	Qty	Description
1	8504301	1	ASSY, INCREMENT WEIGHT, 7 LB
2	8505602	1	ASSY, OS HEAD PLATE, 8 PLATE
3	8506101	1	ASSY, SELECTOR PIN
4	8739002	1	Painted Sub Assembly, Optima Series Hip Ab/Adduction Tower Platinum
5	3102514	6	WASHER, FLAT 3/8 IN SAE ST ZN
6	3264101	8	WASHER, M6
7	LEA3242002	3	Hardware: Hex Nut 10MM D
8	3240501	2	Set Screw
9	3251707	1	M10 X 1.5 X 50 HXS SOC CS ST ZN
10	3251709	2	M10 X 1.5 X 60 HXS SOC CS ST ZN
11	3252803	8	M6-1.0 X 12 HXS BUT CS ST ZN
12	3232421	2	RING:BRE .940 5100-100 ST PP B
13	7489403	4	BSHNG, .500 OD X .402 ID X .272
14	3237403	1	PLUG, 1 IN HOLE
15	3237801	3	PULLEY, 1/4 IN CABLE (T3), 4.5 IN OD
16	6757701	1	CLIP, CABLE 2-7/8 X 1 X 1
17	7328610	2	GUIDE ROD, .75 OD SOLID X 39.75
18	7352101	2	CUSHION, WEIGHT STACK
19	8370701	2	COVER, OS TOWER, TOP
20	8371001	2	CAP, OS TOWER, TOP
21	8692801	1	RETAINER, GUIDE ROD, SHORT

<b>Ref #</b>	<b>Part Number</b>	<b>Qty</b>	<b>Description</b>
22	8692802	1	RETAINER, GUIDEROD, LONG
23	8769601	1	LABEL, WEIGHT STACK, 13 PLATE

\*\* Upholstery and Frame Colors are list at the end of the Parts Manual \*\*

## Tower Sub Assembly

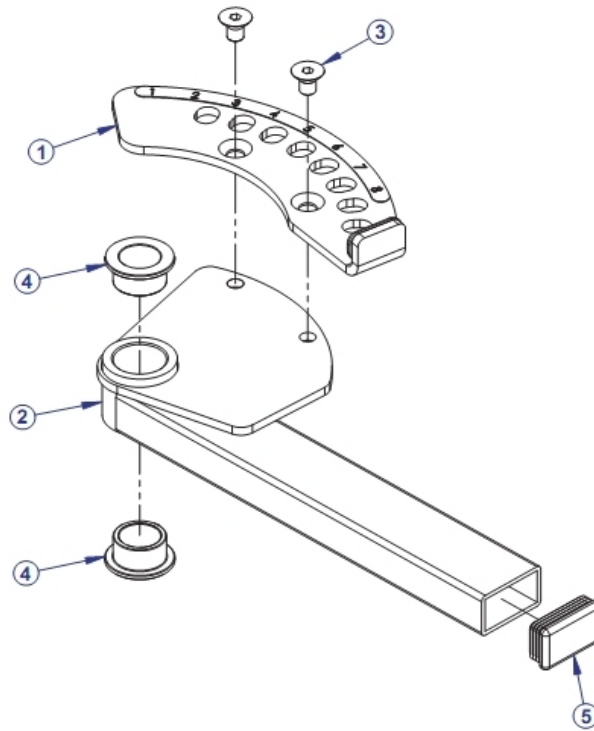


Ref #	Part Number	Qty	Description
1	8686299	1	WLDMT, OSHAATWR, FRAME
2	3102514	4	WASHER, FLAT 3/8 IN SAE ST ZN
3	3114407	8	WASHER, FLAT #10 SAE ST BZ
4	LEA3242002	2	Hardware: Hex Nut 10MM D
5	LEA3239102	4	Hardware: Screw
6	3239103	4	SCREW, M5X.8 X 16 PHL PAN TT ST BZ
7	LEA3251702	2	Screw; M10 X1.5 25MM
9	8332101	1	BRKT, OS TOWER, INC WT STRIKER
10	8423801	2	FOOT, OS TOWER
11	8630801	1	LABEL, ASTM, SELECT VERT-SHEET

\*\* Upholstery and Frame Colors are list at the end of the Parts Manual \*\*



## Work Arm Assembly



Ref #	Part Number	Qty	Description
1	8854901	1	ASSY, OSHAA, SELECTOR
2	8438102	1	WLDMT, OSHAA, WORKARM Platinum
3	3257203	2	M10 X 1.5 16MM FLT HD
4	3266604	2	BEARING FLG, 25MM ID X 32 OD X 19.1 #3104953
5	8737801	1	CAP, END 50 X 30 RECT

\*\* Upholstery and Frame Colors are list at the end of the Parts Manual \*\*

# Frame and Upholstery Color Chart

## Frame Colors



Note: Include frame color in order notes when ordering frame assemblies or weldments.

## Upholstery Colors



Replace '99' with the above color suffix when ordering pads (i.e. 7412399 = 7412301 BLACK)

