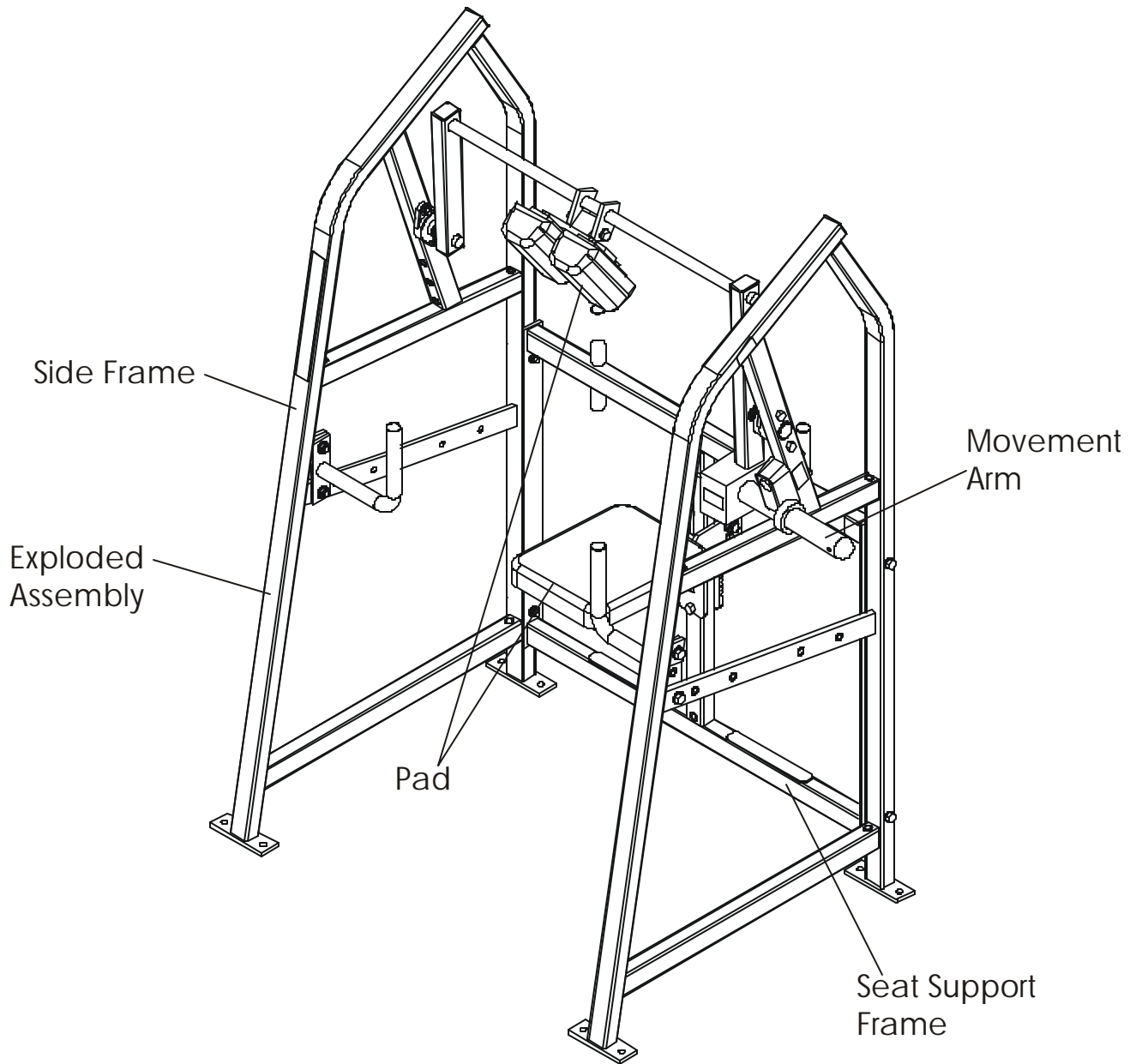


# HAMMER STRENGTH EQUIPMENT

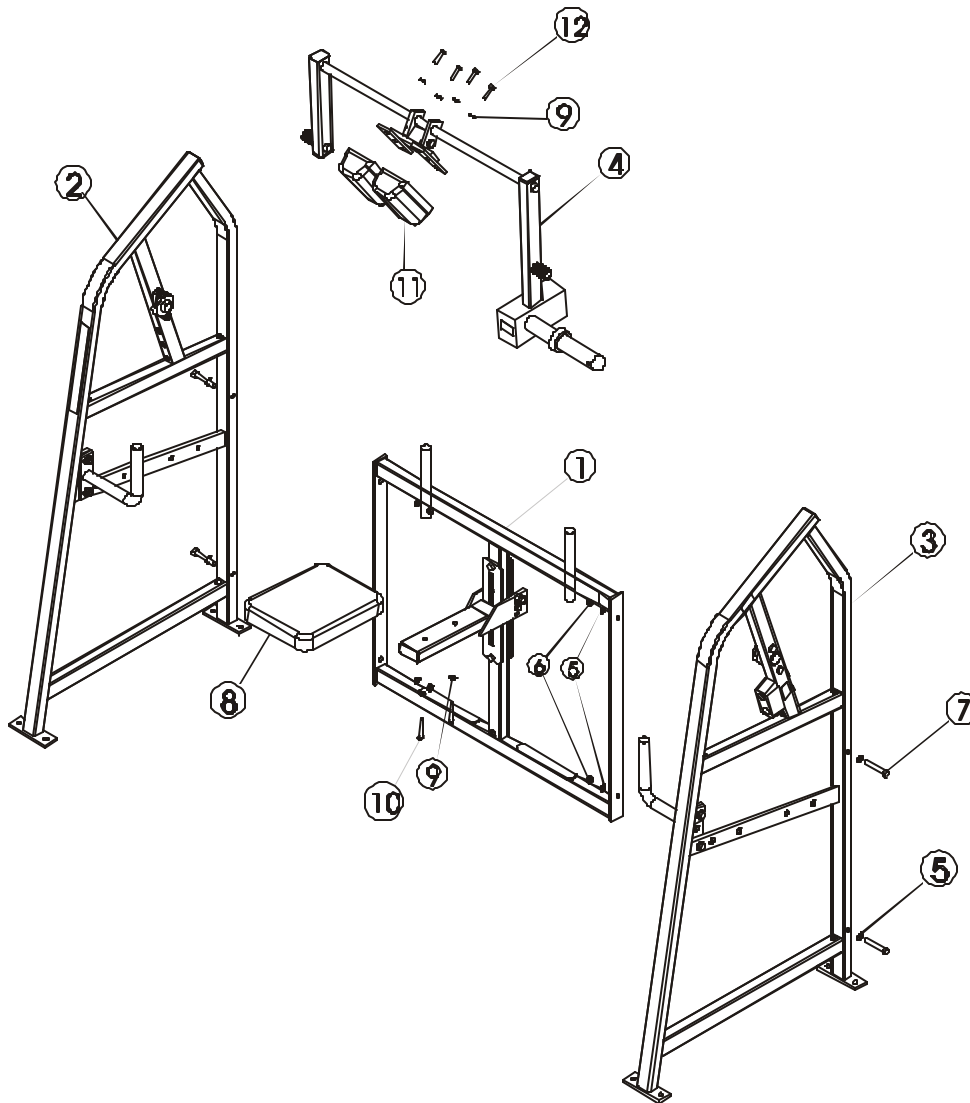
## PL4W - Plate Loaded 4 Way Head Assembly

---



# HAMMER STRENGTH EQUIPMENT

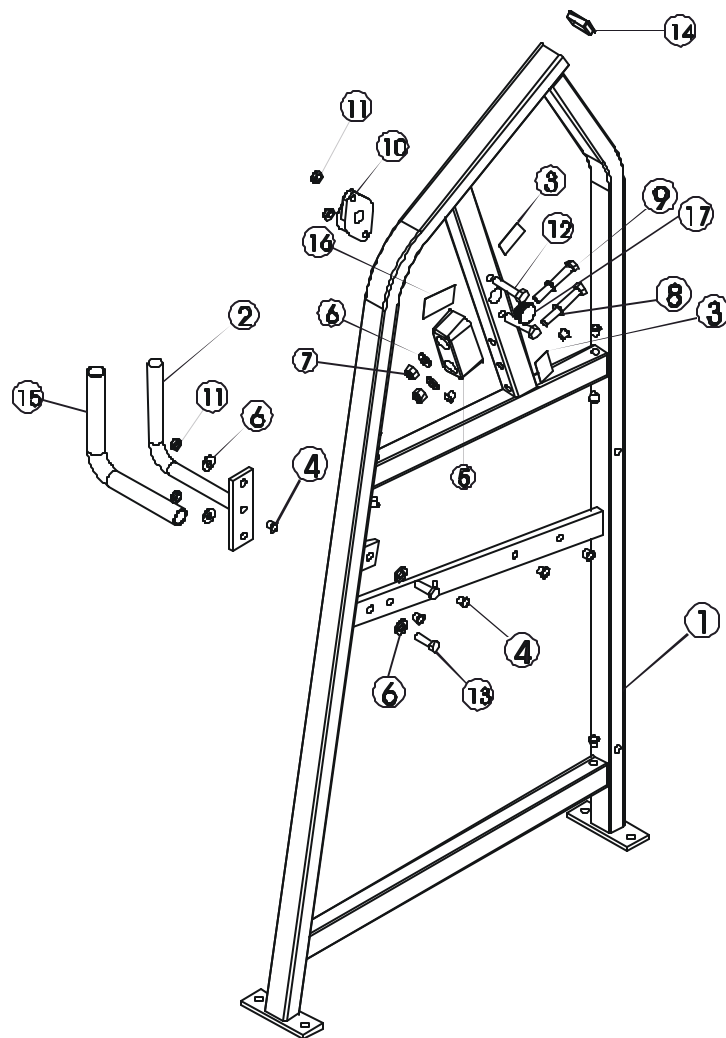
## PL4W - Exploded Assembly



ITEM NO.	QTY.	PART NO.	DESCRIPTION
1	1	PL4W-CST-0	ST Assembly
2	1	PL4W-CSFR-0	Right SF Assembly
3	1	PL4W-CSFL-0	Left SF Assembly
4	1	PL4W-CMA-1	Marm Assembly
5	8	WASH.5STAR	1/2" Internal Lock Washer
6	4	NUT.5JAMLOCK	1/2" Thin Lock Nut
7	4	HHB.5X3	1/2 X 3 Bolt
8	1	U13-5	Standard 13" Pad
9	6	WASH.375SAE	3/8" SAE Flat Washer
10	2	HHB.375X2.5	3/8 X 2 1/2 Bolt
11	2	U4W	Knee Pad
12	4	HHB.375X1.5	3/8 X 1 1/2 Bolt

# HAMMER STRENGTH EQUIPMENT

## PL4W - Side Frame

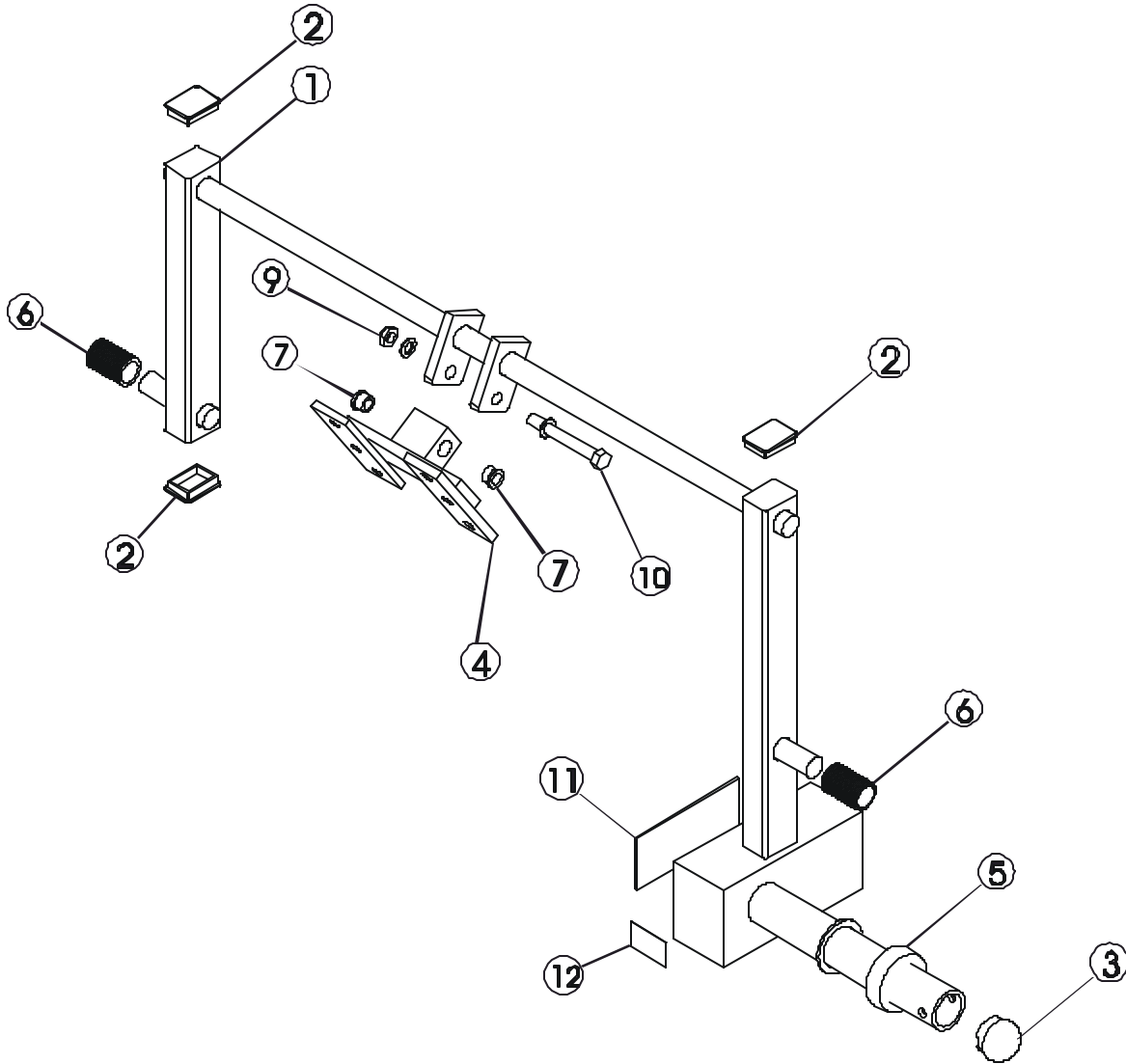


ITEM NO.	QTY.	PART NO.	DESCRIPTION
1	1	PL4W-SF-0	Side Frame
2	1	PL4W-ETC1-0	Handlebar Subassembly
3	2	STAY CLEAR	Stay Clear Decal
4	12	H-HPLUG	9/16" Hole Plug
5	1	H-BUMP-MED	MM2 Medium
6	6	WASH.5SAE	1/2" SAE Flat Washer
7	2	NUT.5LOCK	1/2" Thick Lock Nut
8	2	WASH.5STAR	1/2" Internal Lock Washer
9	2	HHB.5X3.5	1/2 X 3 1/2 Bolt
10	1	H-BEAR-SML	Small Bearing
11	4	NUT.5JAMLOCK	1/2" Thin Lock Nut
12	2	HHB.5X2.5	1/2 X 2 1/2 Bolt
13	2	HHB.5X1.5	1/2 X 1 1/2 Bolt
14	1	H-PEND2	1 1/2 X 2 Endcap
15	1	H-GRIP(PL4W-2)	HandGrip
16	1	PATENT	Patent Decal
17	1	H-LOCK-PLUG(SMALL)	9/16" Hole Plug

# HAMMER STRENGTH EQUIPMENT

## PL4W - Movement Arm

---

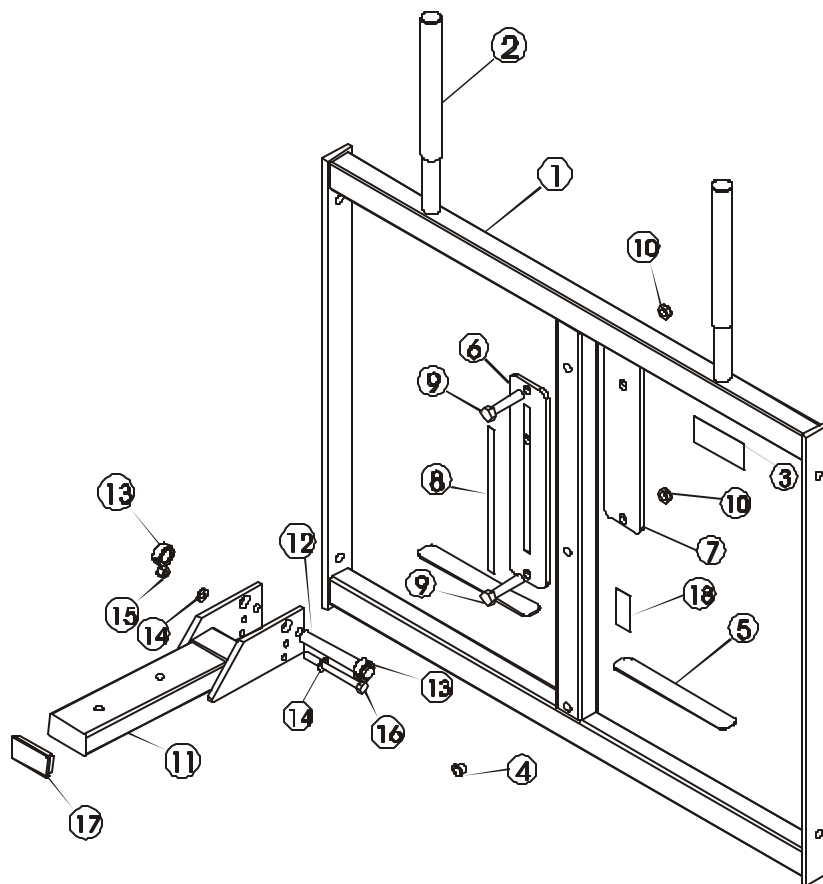


ITEM NO.	QTY.	PART NO.	DESCRIPTION
1	1	PL4W-MA-1	Movement Arm
2	3	H-PEND2	1 1/2 X 2 Endcap
3	1	H-BENDCAP	Bullet Cap
4	1	PL4W-ETC-0	Head Pad Mount
5	1	H-RUBRNG	MM5 Ring
6	2	ACCORDIAN	Shaft Guard
7	2	STEELBUSH	3/4 I.D. Flanged Drill Bushing
8	2	WASH.5STAR	1/2" Internal Lock Washer
9	1	NUT.5JAMLOCK	1/2" Thin Lock Nut
10	1	HHB.5X4Bro	1/2 X 4 Bolt Bronzed
11	1	H-NAMEPLATE	Name Plate
12	1	STAY CLEAR	Stay Clear Decal

# HAMMER STRENGTH EQUIPMENT

## PL4W - Seat Support Frame

---



ITEM NO.	QTY.	PART NO.	DESCRIPTION
1	1	PL4W-ST-0	Seat Support Frame
2	2	H-GRIP(BWAB-A00)	HandGrip
3	1	WARNING SMALL-H	Small Warning Hor.
4	2	H-HPLUG	9/16" Hole Plug
5	2	H-NONSKID1	1 1/4 X 9 Nonskid
6	1	H-SEATRCKS	Seatrack Front
7	1	H-SEATRCKS-RIB	Seatrack Back
8	1	SEAT NUMBER	Seat Adj. Number
9	2	H-HB.5X2.5	1/2 X 2 1/2 Bolt
10	2	NUT.5JAMLOCK	1/2" Thin Lock Nut
11	1	STD-ST	Standard Seat #1
12	1	STshft	Seat Shaft
13	2	H-LCOLLAR75	3/4" Lock Collar
14	2	WASH.375SAE	3/8" SAE Flat Washer
15	1	NUT.375LOCK	3/8" Thick Lock Nut
16	1	H-HB.375X4.5	3/8 X 4.5 Bolt
17	1	H-PEND3	1 1/2 X 3 End Cap
18	1	SERIAL NUMBER	Serial Number