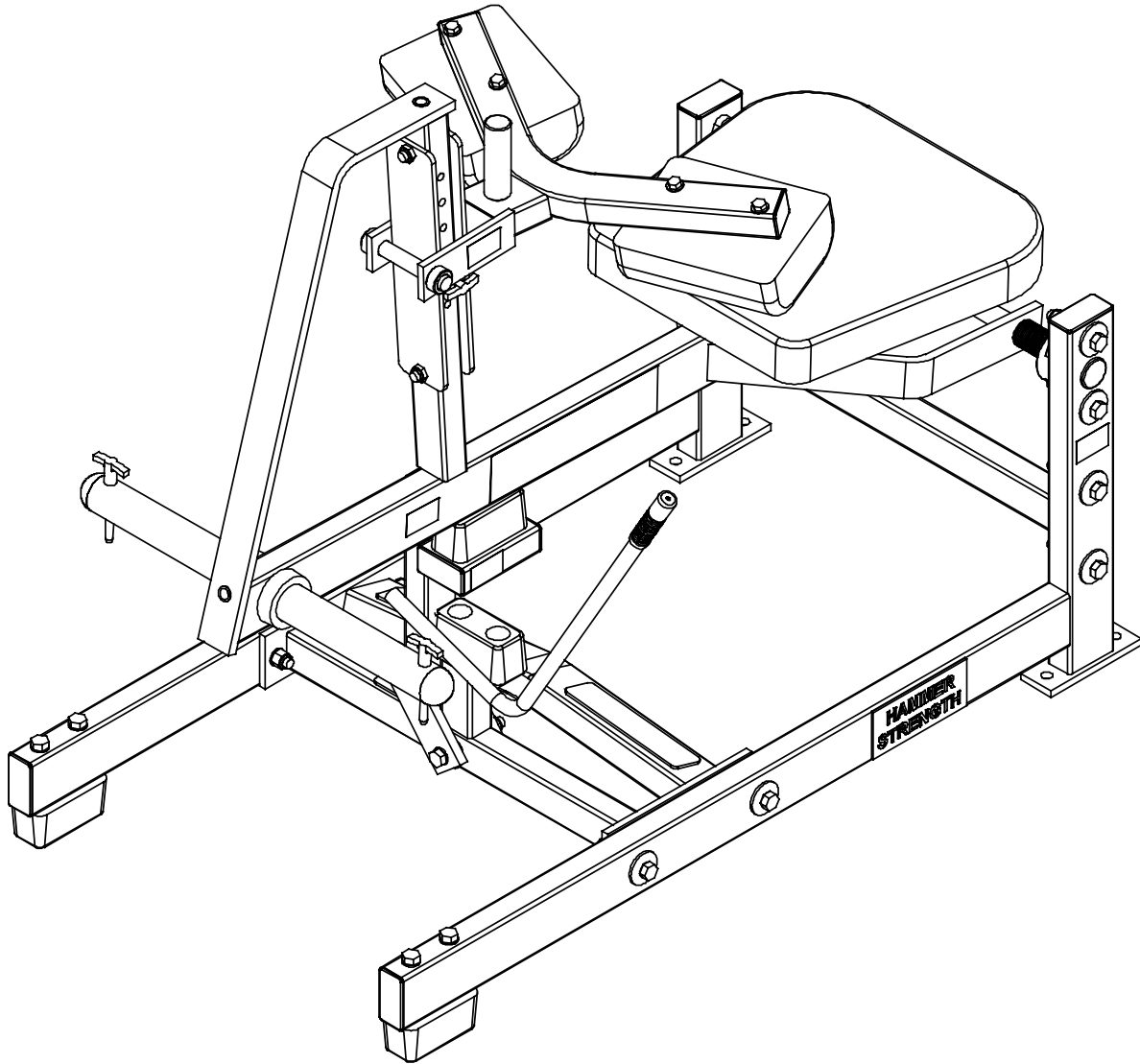


# *LifeFitness*

**HAMMER STRENGTH EQUIPMENT  
PLCALF – PLATE LOADED SEATED  
CALF RAISE ASSEMBLY (Rev: B02)**



**Customer Support Services  
PARTS MANUAL**

# HAMMER STRENGTH EQUIPMENT – PLCALF (Rev: B02)

Notes:

---

# HAMMER STRENGTH EQUIPMENT – PLCALF (Rev: B02)

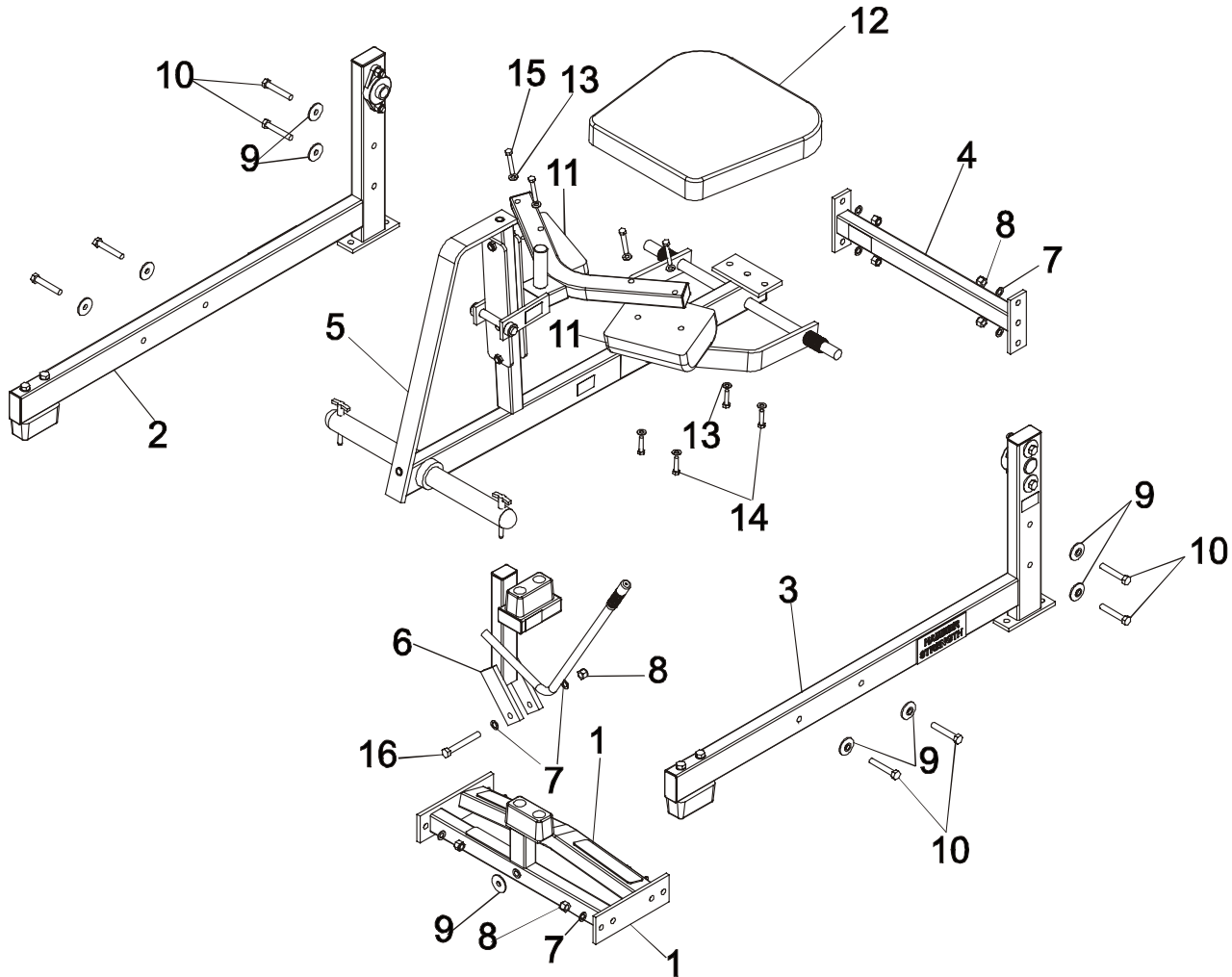
## Contents

---

	PAGE
EXPLODED ASSEMBLY .....	4
MOVEMENT ARM ASSEMBLY .....	5
REST STOP ASSEMBLY .....	6
FRONT FRAME.....	7
SIDE FRAME.....	8
BACK CROSS-MEMBER .....	9

# HAMMER STRENGTH EQUIPMENT – PLCALF (Rev: B02)

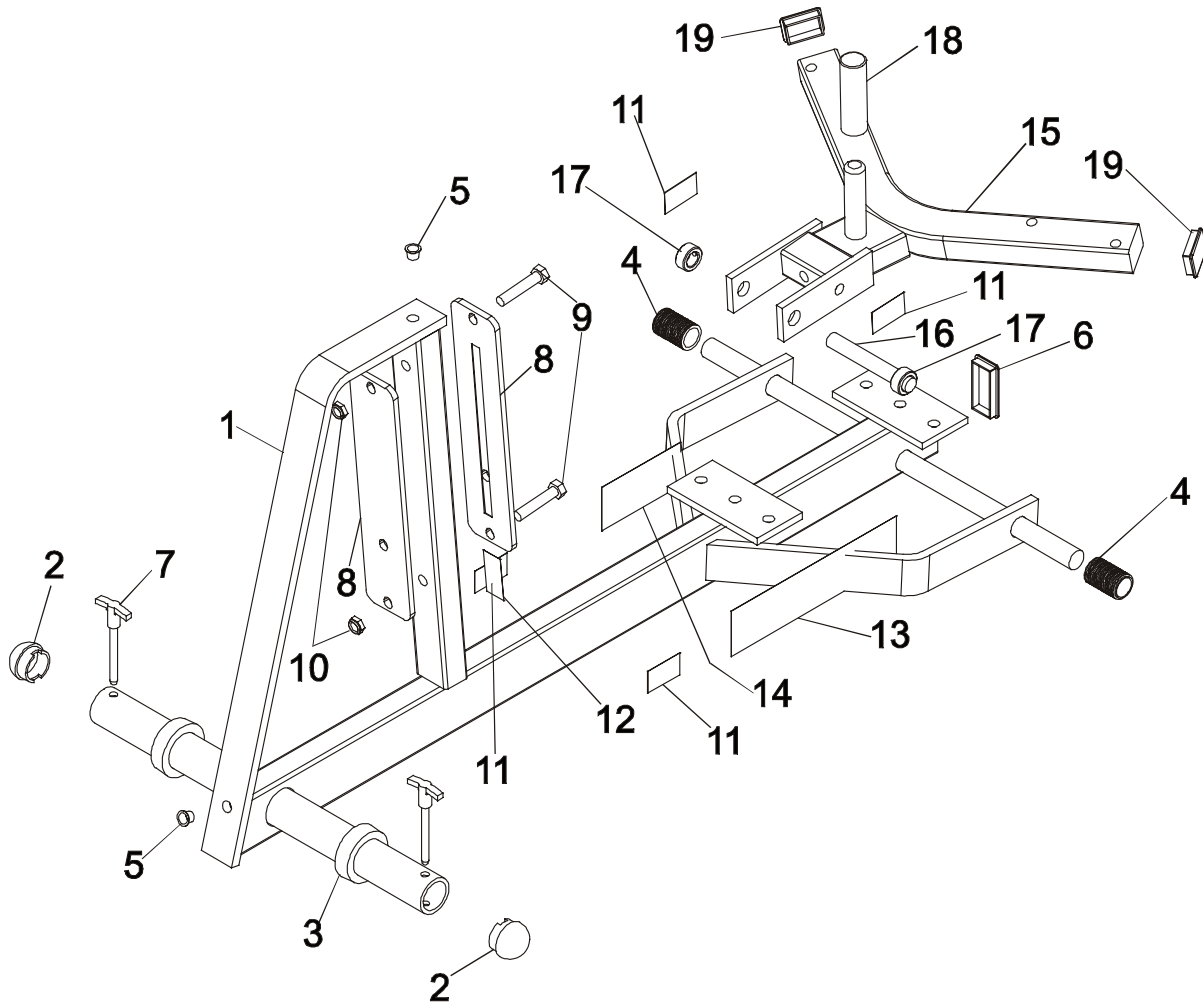
## Exploded Assembly



ITEM NO	QTY	PART NO.	DESCRIPTION
1	1	PLCF-CFX-0	Base Frame Assembly
2	1	PLCF-CSFR-0	Right SF Assembly
3	1	PLCF-CSFL-0	Left SF Assembly
4	1	PLCF-CBX-0	Back C-Mem Assembly
5	1	PLCF-CMA-2	Marm Assembly
6	1	PLCF-CTX-0	Rest Stop Assembly
7	10	WASH.5STAR	1/2" Internal Lock Washer
8	9	NUT.5LOCK	1/2" Thick Lock Nut
9	9	H-BACK-WASH	Backing Washer
10	8	HHB.5X3	1/2 X 3 Bolt
11	2	U8-4.5	Standard 8" Pad
12	1	U16-11H	Standard 16" Pad
13	8	WASH.375SAE	3/8" SAE Flat Washer
14	4	HHB.375X1.5	3/8 X 1 1/2 Bolt
15	4	HHB.375X2.5	3/8 X 2 1/2 Bolt
16	1	HHB.5X4Bro	1/2 X 4 Bolt Bronzed

# HAMMER STRENGTH EQUIPMENT – PLCALF (Rev: B02)

## Movement Arm Assembly

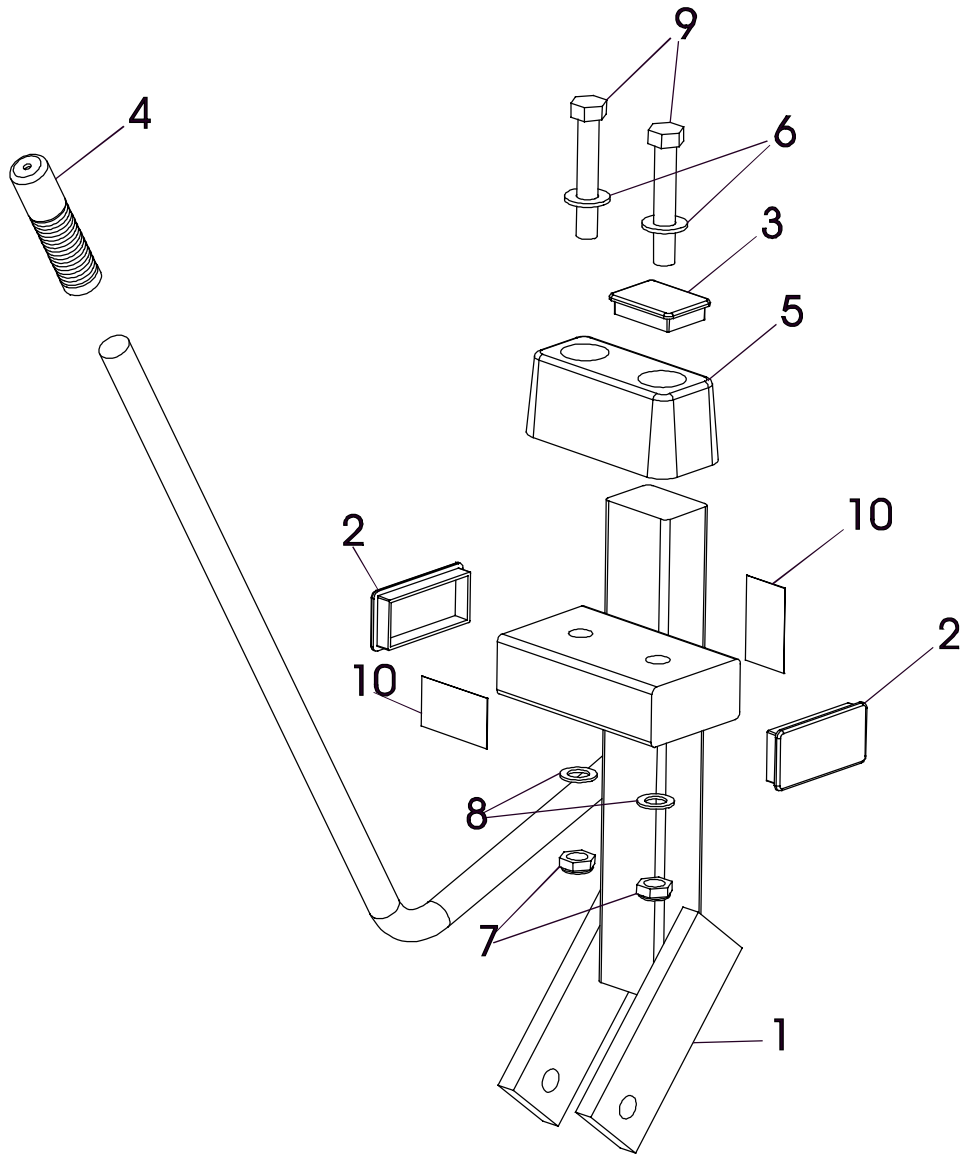


ITEM NO	QTY	PART NO.	DESCRIPTION
1	1	PLCF-MA-1	Movement Arm
2	2	H-BENDCAP	Bullet Cap
3	2	H-RUBRNG	MM5 Ring
4	2	ACCORDIAN	Shaft Guard
5	2	H-HPLUG(REG)	Hole Plug
6	1	H-PEND3	1 1/2 X 3 End Cap
7	2	SELECTOR PIN-4	SELECTOR PIN 4 INCH
8	2	H-SEATRCKS	Seatrack Front
9	2	HHB.5X2.5	1/2 X 2 1/2 Bolt
10	2	NUT.5JAMLOCK	1/2" Thin Lock Nut
11	4	STAY CLEAR	Stay Clear Decal
12	1	SERIAL NUMBER	Serial Number
13	1	SEATED CALF	Product Decal
14	1	WARNING LARGE-H	Large Warning Hor
15	1	ST4-C01	Std. Seat #4
16	1	STSHFT	Seat Shaft
17	2	H-LCOLLAR75	3/4" Lock Collar
18	1	H-GRIP(STD SEAT 4-A00)	HandGrip
19	2	H-PEND2	1 1/2 X 2 Endcap

# HAMMER STRENGTH EQUIPMENT – PLCALF (Rev: B02)

## Rest Stop Assembly

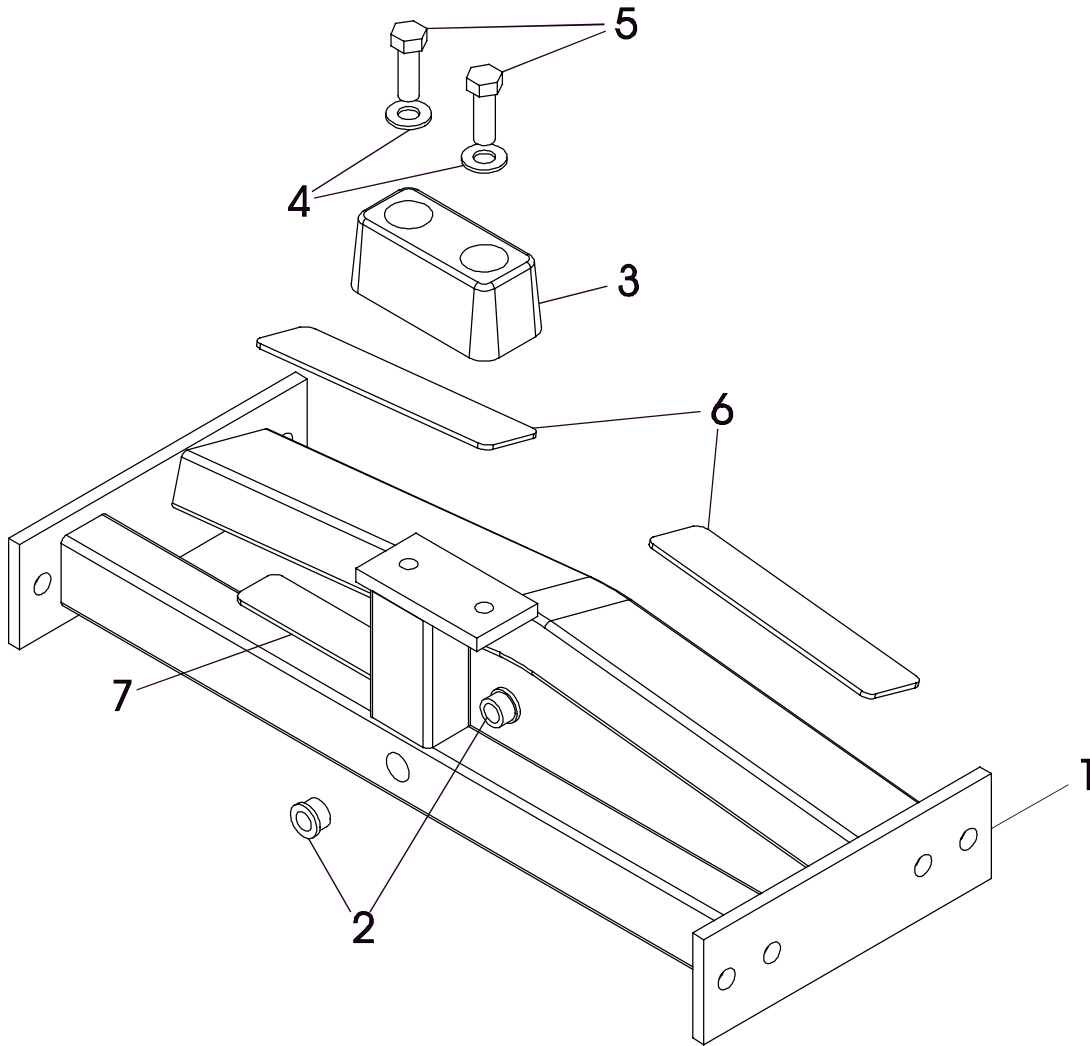
---



ITEM NO.	QTY.	PART NO.	DESCRIPTION
1	1	PLCALF-TX-0	Rest Stop
2	2	H-PEND3	1 1/2 X 3 End Cap
3	1	H-PEND2	1 1/2 X 2 Endcap
4	1	HG-GR75(GRIP)	Standard 3/4" Bicycle Grip
5	1	H-BUMP-MED	MM2 Medium
6	2	WASH.5SAE	1/2" SAE Flat Washer
7	2	NUT.5JAMLOCK	1/2" Thin Lock Nut
8	2	WASH.5STAR	1/2" Internal Lock Washer
9	2	HHB.5X3	1/2 X 3 Bolt
10	2	STAY CLEAR	Stay Clear Decal

# HAMMER STRENGTH EQUIPMENT – PLCALF (Rev: B02)

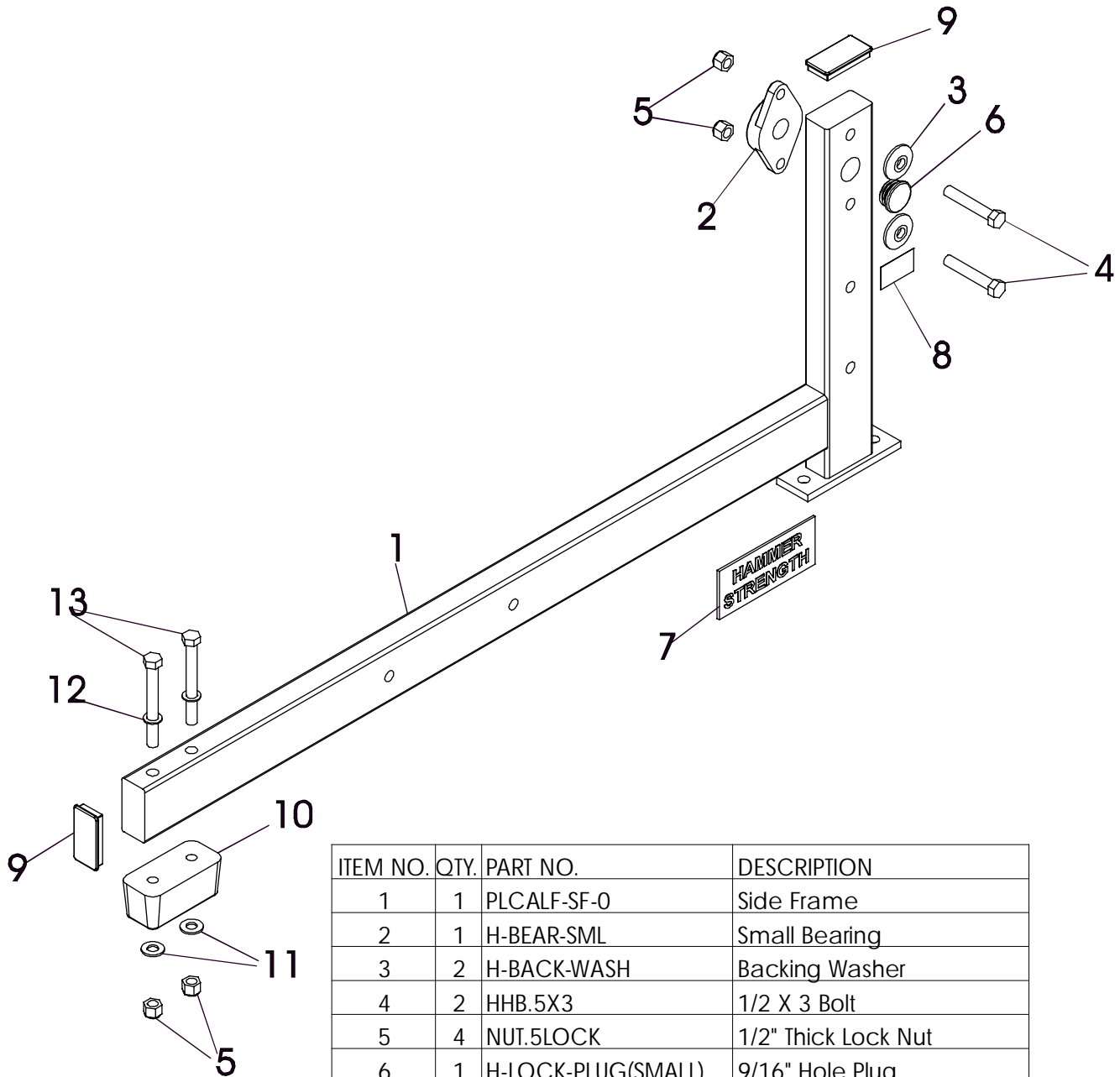
## Front Frame



ITEM NO.	QTY.	PART NO.	DESCRIPTION
1	1	PLCALF-FX-0	Front Frame
2	2	STEELBUSH	3/4 I.D. Flanged Drill Bushing
3	1	H-BUMP-MED	MM2 Medium
4	2	WASH.5SAE	1/2" SAE Flat Washer
5	2	HHB.5X1.5	1/2 X 1 1/2 Bolt
6	2	H-PLATE-G2	Medium Plate Guard
7	1	H-PLATE-G1	Small Plate Guard

# HAMMER STRENGTH EQUIPMENT – PLCALF (Rev: B02)

## Side Frame (Right and Left Sides Mirror Images)



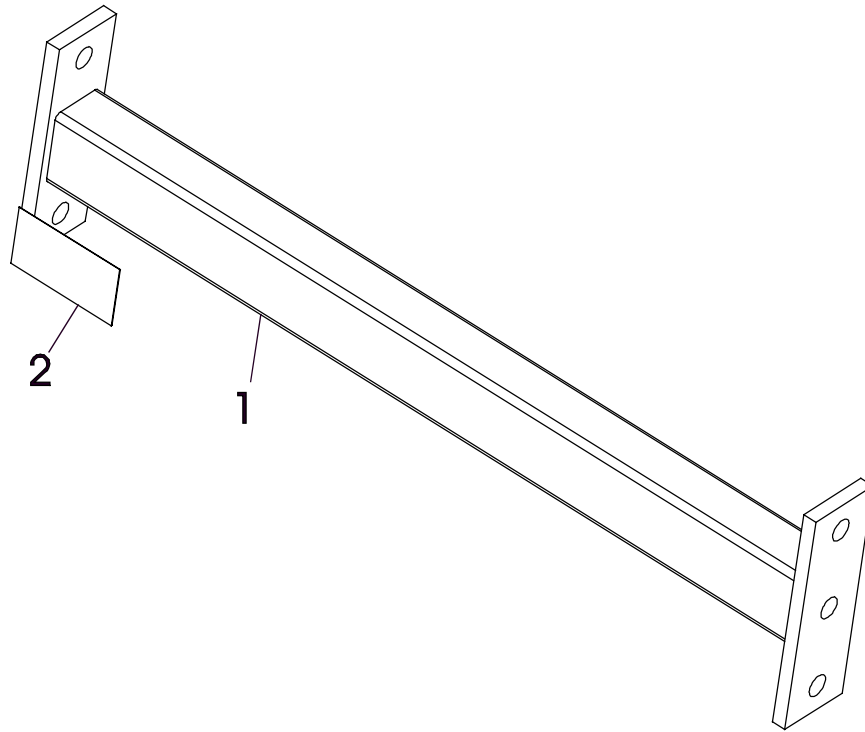
ITEM NO.	QTY.	PART NO.	DESCRIPTION
1	1	PLCALF-SF-0	Side Frame
2	1	H-BEAR-SML	Small Bearing
3	2	H-BACK-WASH	Backing Washer
4	2	HHB.5X3	1/2 X 3 Bolt
5	4	NUT.5LOCK	1/2" Thick Lock Nut
6	1	H-LOCK-PLUG(SMALL)	9/16" Hole Plug
7	1	H-NAMEPLATE	Name Plate
8	1	STAY CLEAR	Stay Clear Decal
9	2	H-PEND3	1 1/2 X 3 End Cap
10	1	H-BUMP-MED	MM2 Medium
11	2	WASH.5SAE	1/2" SAE Flat Washer
12	2	WASH.5STAR	1/2" Internal Lock Washer
13	2	HHB.5X4.5	1/2 X 4 1/2 Bolt



# HAMMER STRENGTH EQUIPMENT – PLCALF (Rev: B02)

## *Back Cross-Member*

---



ITEM NO.	QTY.	PART NO.	DESCRIPTION
1	1	PLCALF-BX-0	Back Crossmember
2	1	PATENT	Patent Decal