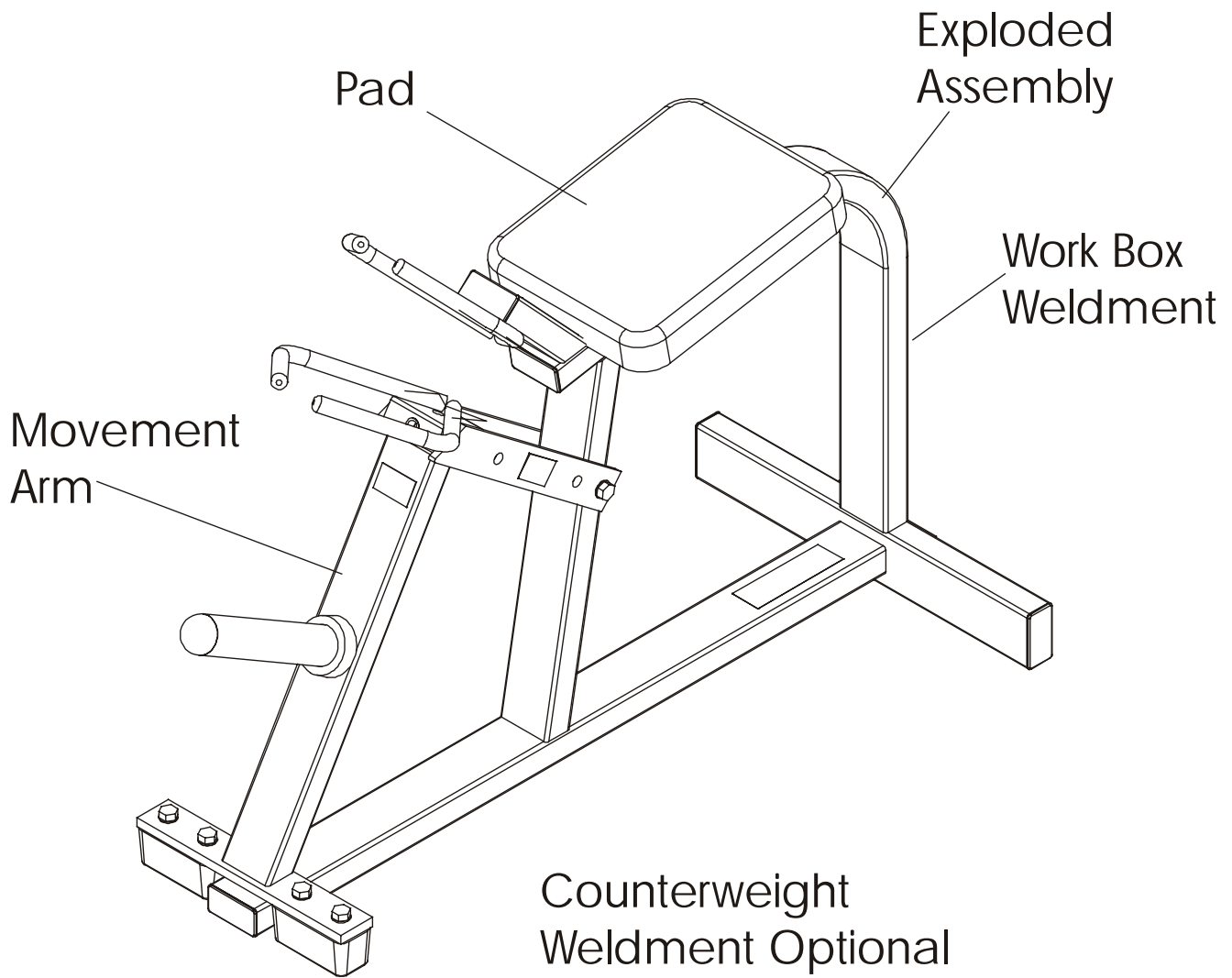


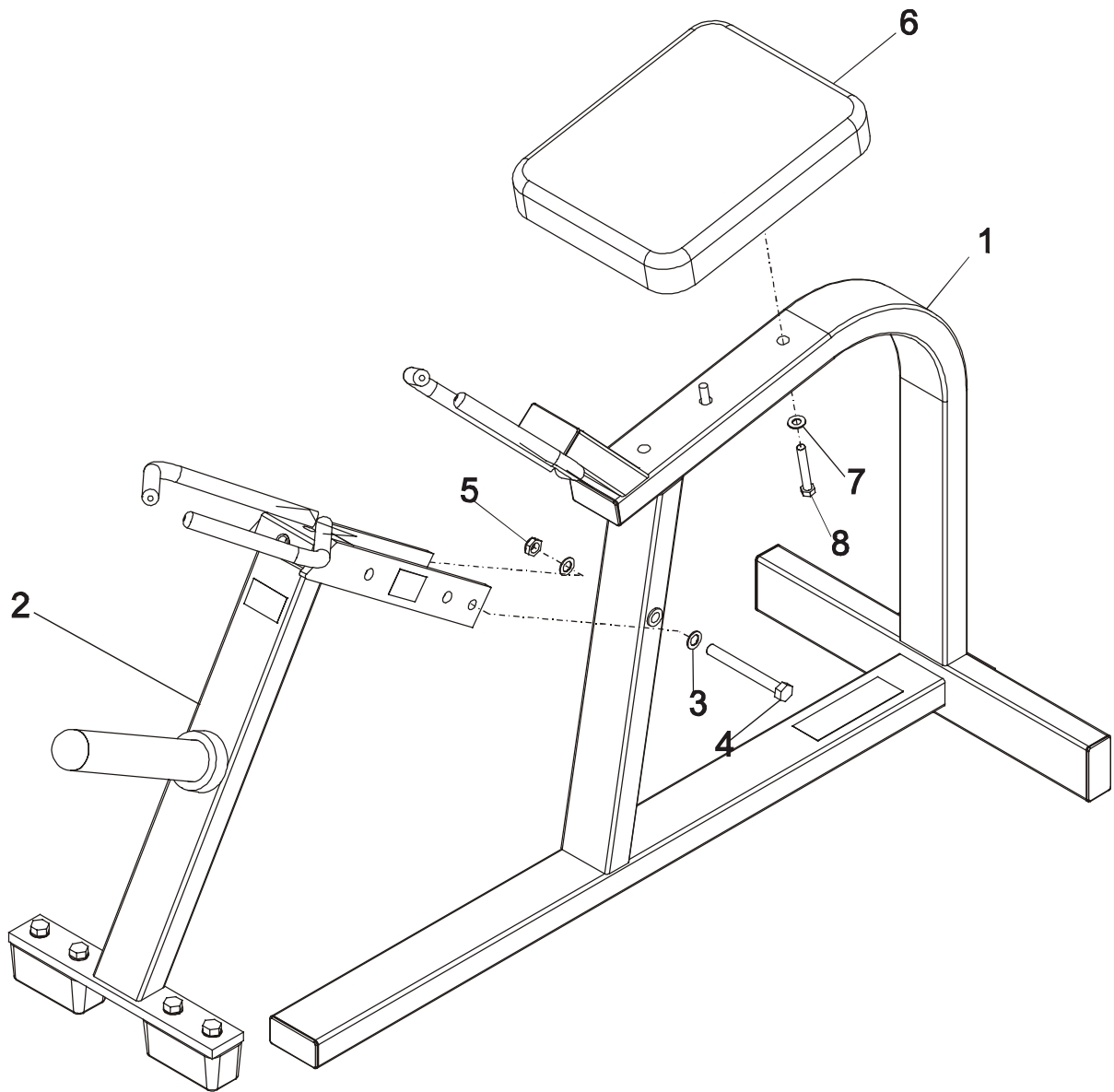
HAMMER STRENGTH EQUIPMENT

PLGRP - Plate Gripper Assembly



HAMMER STRENGTH EQUIPMENT

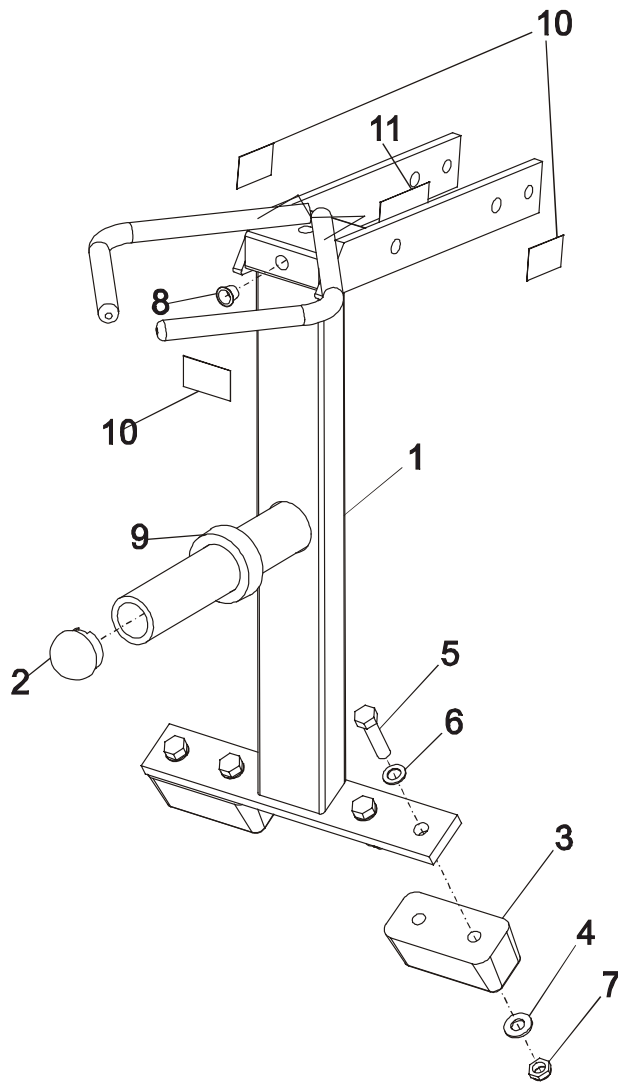
PLGRP – Exploded Assembly



ITEM NO.	QTY.	PART NO.	DESCRIPTION
1	1	PLGRP-CWB-0	Work-Box Assy
2	1	PLGRP-CMA-0	Movement Arm Assy
3	2	WASH.5STAR	1/2" Internal Lock Washer
4	1	HHB.5X4.5Bro	1/2 X 4 1/2 Bolt Bronzed
5	1	NUT.5JAMLOCK	1/2" Thin Lock Nut
6	1	U13-5	Standard 13" Pad
7	2	WASH.375SAE	3/8" SAE Flat Washer
8	2	HHB.375X2.5	3/8 X 2 1/2 Bolt

HAMMER STRENGTH EQUIPMENT

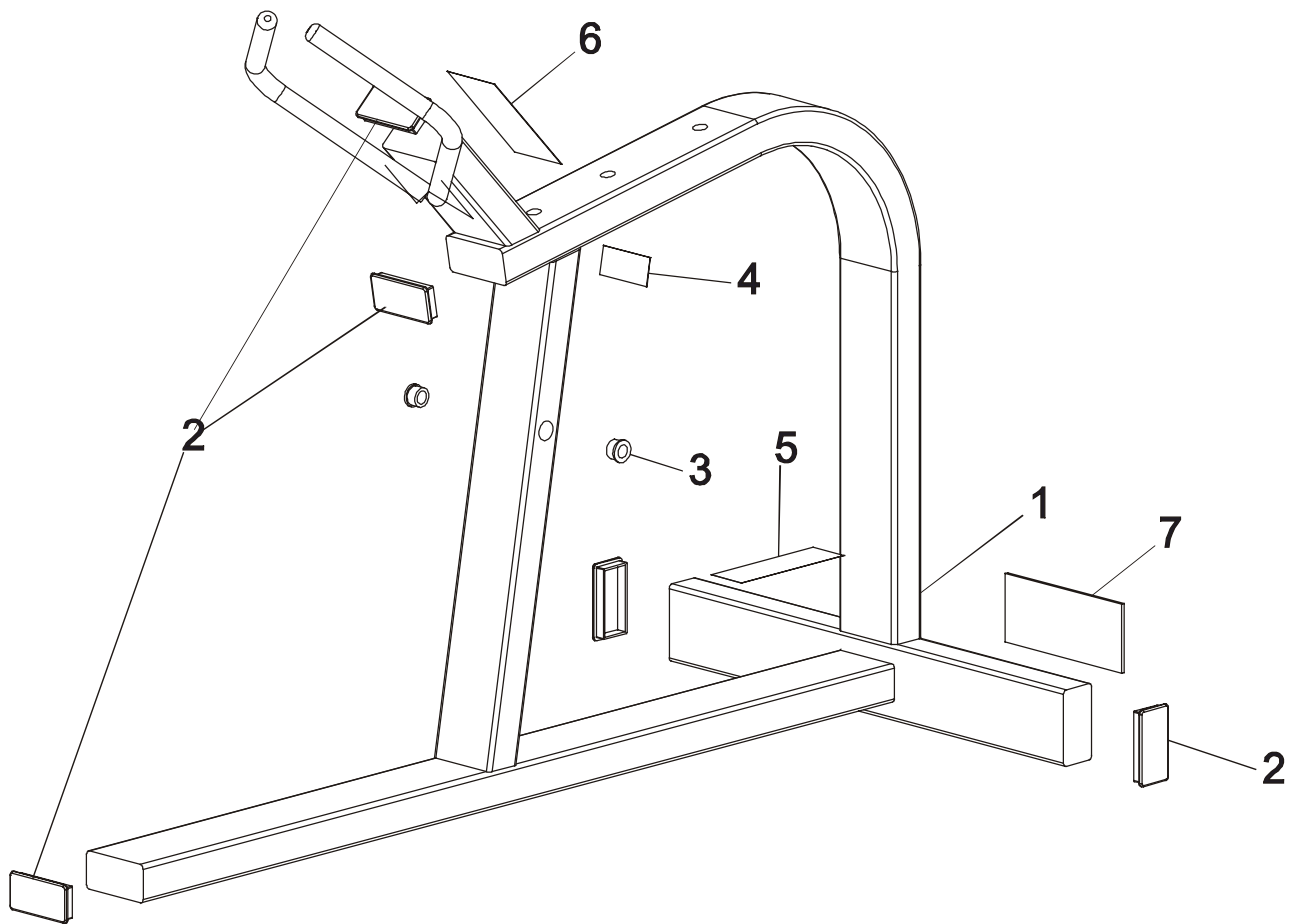
PLGRP - Movement Arm



ITEM NO.	QTY.	PART NO.	DESCRIPTION
1	1	PLGRP-MA-0	Movement Arm Weldment
2	1	H-BENDCAP	Bullet Cap
3	2	H-BUMP-MED	MM2 Medium
4	4	WASH.5SAE	1/2" SAE Flat Washer
5	4	HHB.5X2	1/2 X 2 Bolt
6	4	WASH.5STAR	1/2" Internal Lock Washer
7	4	NUT.5JAMLOCK	1/2" Thin Lock Nut
8	1	H-HPLUG	Hole Plug
9	1	H-RUBRNG	MM5 Ring
10	3	STAY CLEAR	Stay Clear Decal
11	1	PATENT	Patent Decal

HAMMER STRENGTH EQUIPMENT

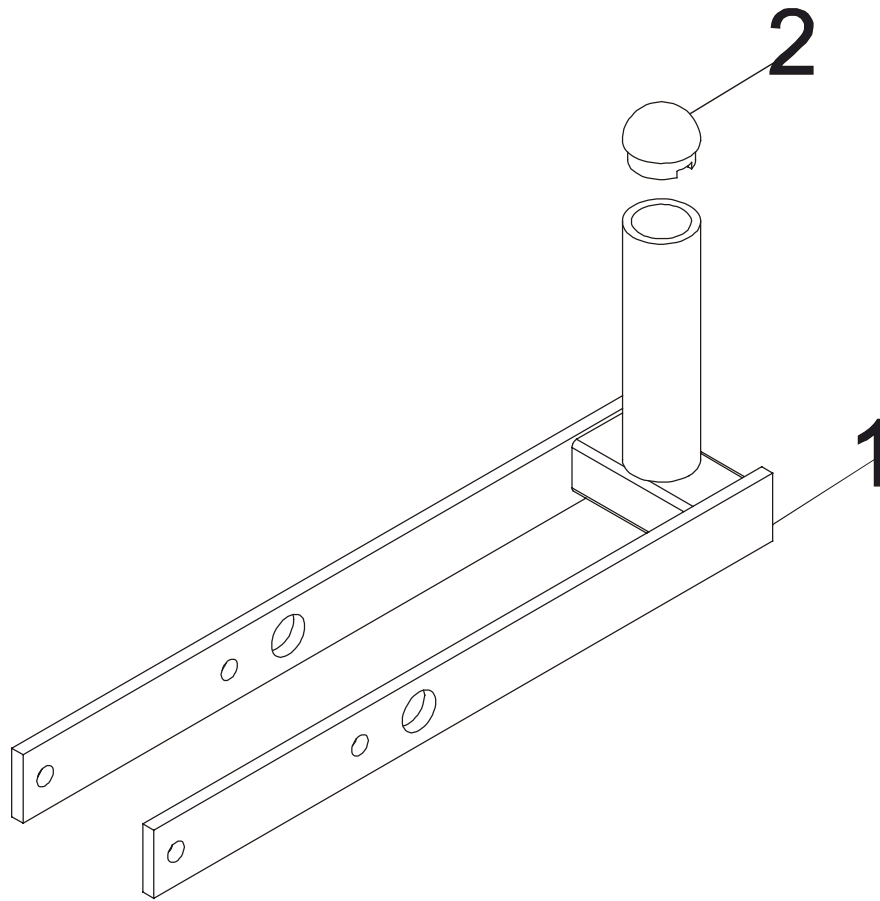
PLGRP – Work Box Weldment



ITEM NO.	QTY.	PART NO.	DESCRIPTION
1	1	PLGRP-WB-0	Work Box Weldment
2	5	H-PEND3	1 1/2 X 3 End Cap
3	2	STEELBUSH	3/4 I.D. Steel Bushing
4	1	SERIAL NUMBER	Serial Number
5	1	GRIPPER	Product Decal
6	1	WARNING LARGE-V	Large Warning Vert.
7	1	H-NAMEPLATE	Name Plate

HAMMER STRENGTH EQUIPMENT

PLGRP – Counterweight Weldment Optional



ITEM NO.	QTY.	PART NO.	DESCRIPTION
1	1	PLGRP-ETC-0	Counterweight Weldment
2	1	H-BENDCAP	Bullet Cap