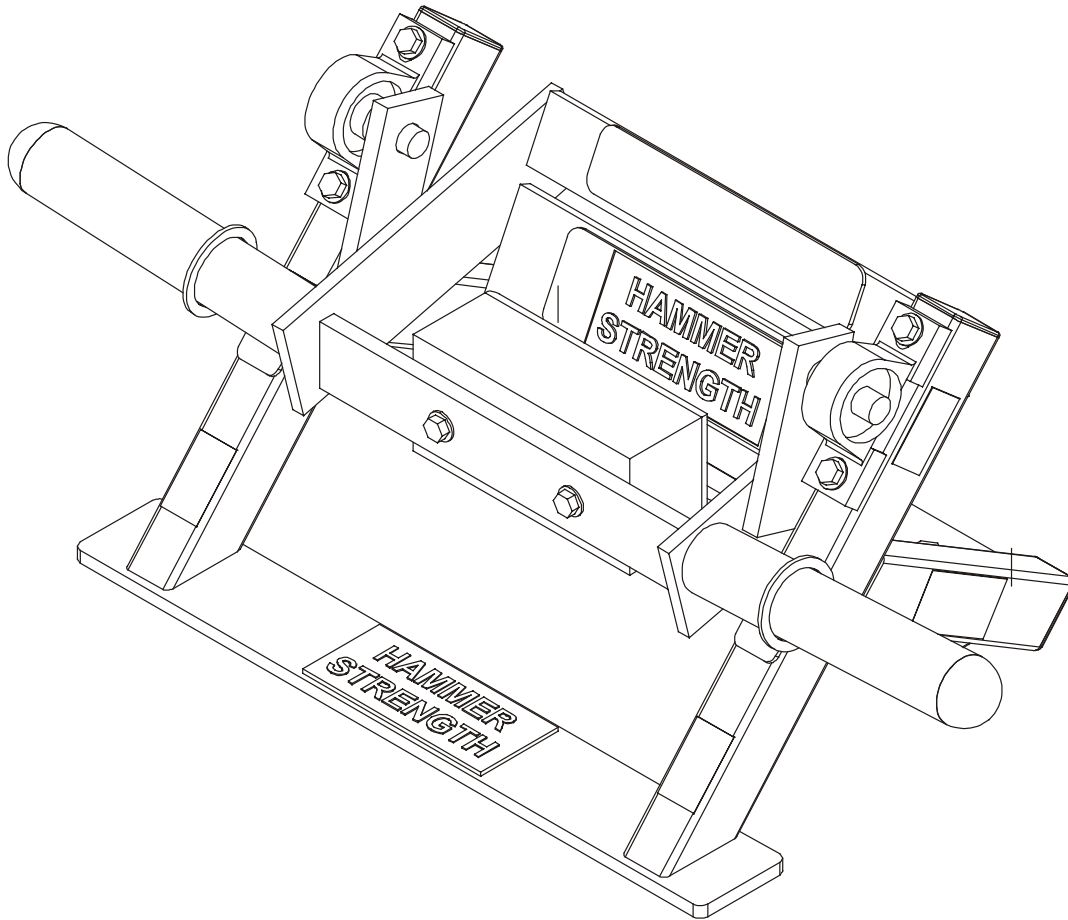


LifeFitness

**HAMMER STRENGTH EQUIPMENT
PLTIB – TIBIA DORSI FLEXION**



Customer Support Services PARTS MANUAL

HAMMER STRENGTH EQUIPMENT - PLTIB

Notes:

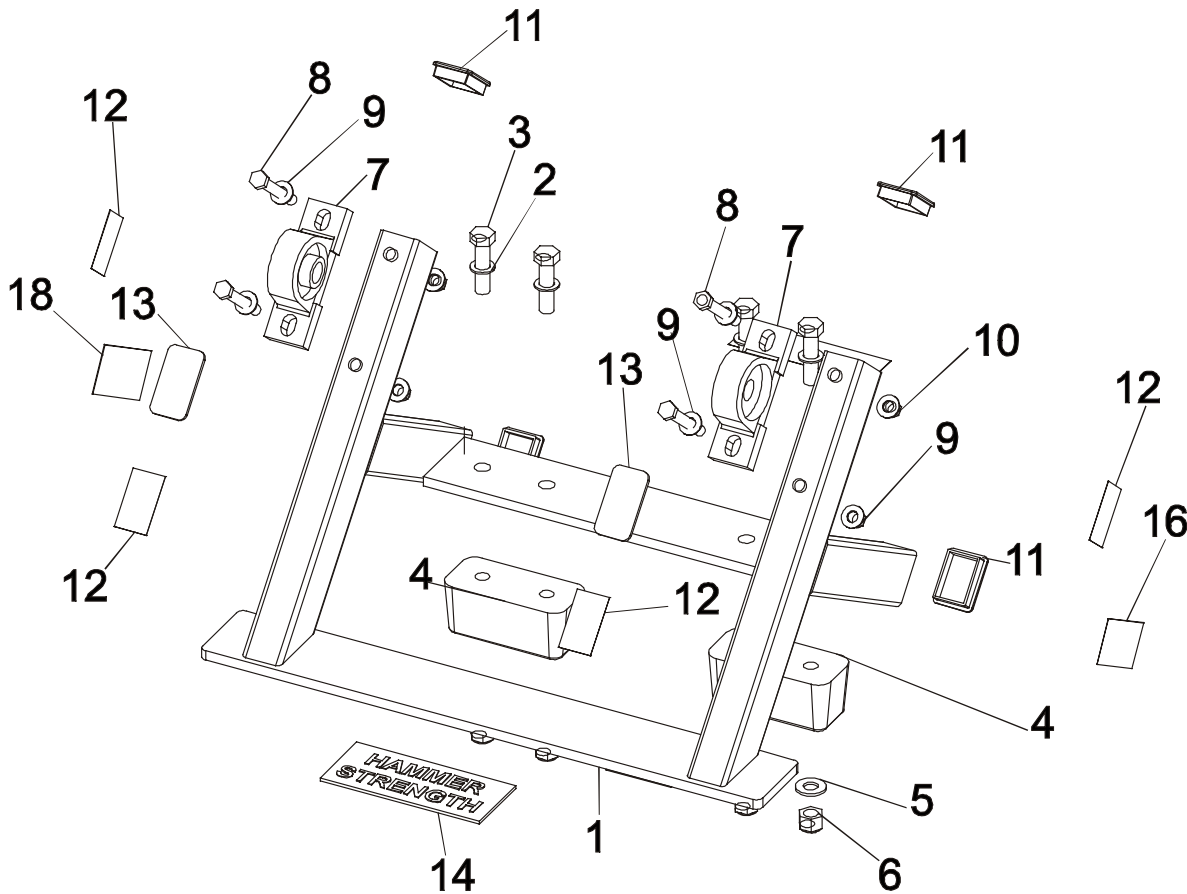
HAMMER STRENGTH EQUIPMENT - PLTIB

Contents

	PAGE
WORKBOX WELDMENT	4
MOVEMENT ARM WELDMENT	5
WORKBOX ASSEMBLY	6

HAMMER STRENGTH EQUIPMENT - PLTIB

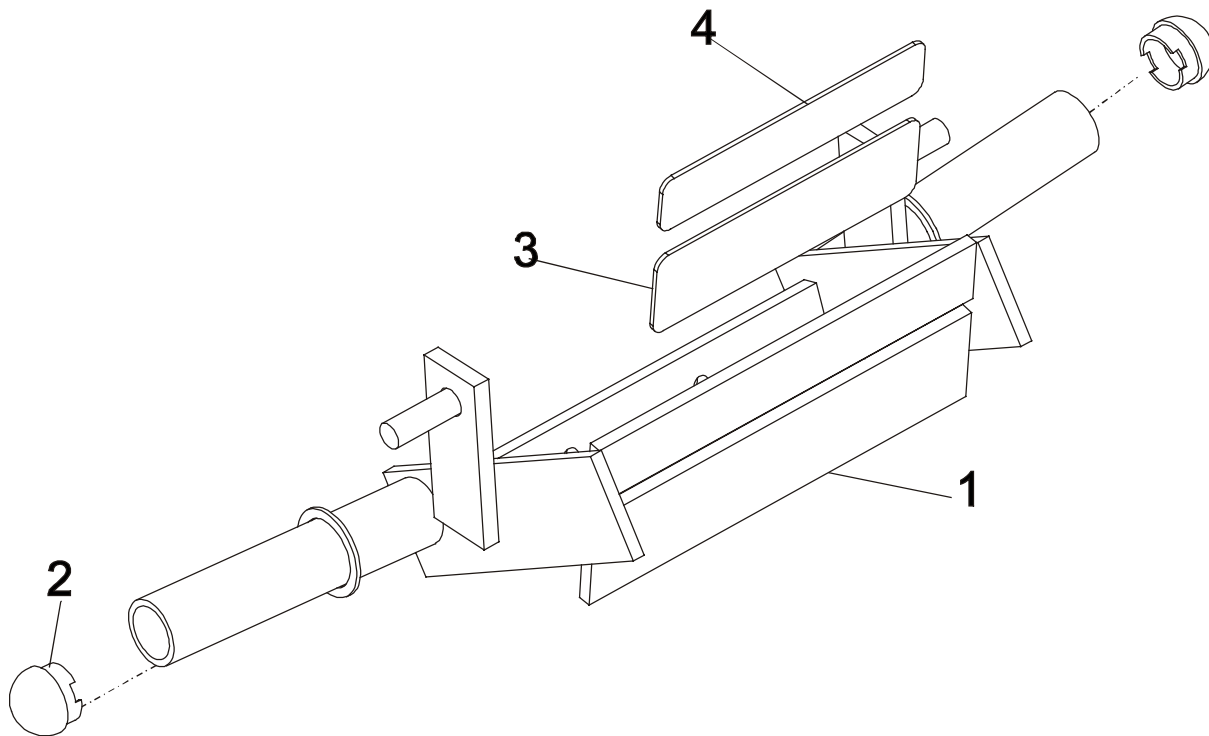
Workbox Weldment



ITEM NO.	QTY.	PART NO.	DESCRIPTION
1	1	TIBIA-WB-0	Workbox Weldment
2	4	WASH.5STAR	1/2" Internal Lock Washer
3	4	HHB.5X2	1/2 X 2 Bolt
4	2	H-BUMP-MED	MM2 Medium
5	4	WASH.5SAE	1/2" SAE Flat Washer
6	4	NUT.5LOCK	1/2" Thick Lock Nut
7	2	H-BEAR-PIL	Pillow Block Bearing
8	4	HHB.375X3	3/8 X 3 Bolt
9	8	WASH.375SAE	3/8" SAE Flat Washer
10	4	NUT.375LOCK	3/8" Thick Lock Nut
11	4	H-PEND2	1 1/2 X 2 Endcap
12	4	STAY CLEAR	Stay Clear Decal
13	2	H-PLATE-G1	Small Plate Guard
14	1	H-NAMEPLATE	Name Plate
15	1	TIBIA	Product Decal
16	1	PATENT	Patent Decal
17	1	SERIAL NUMBER	Serial Number
18	1	WARNING SMALL-H	Small Warning Hor.

HAMMER STRENGTH EQUIPMENT - PLTIB

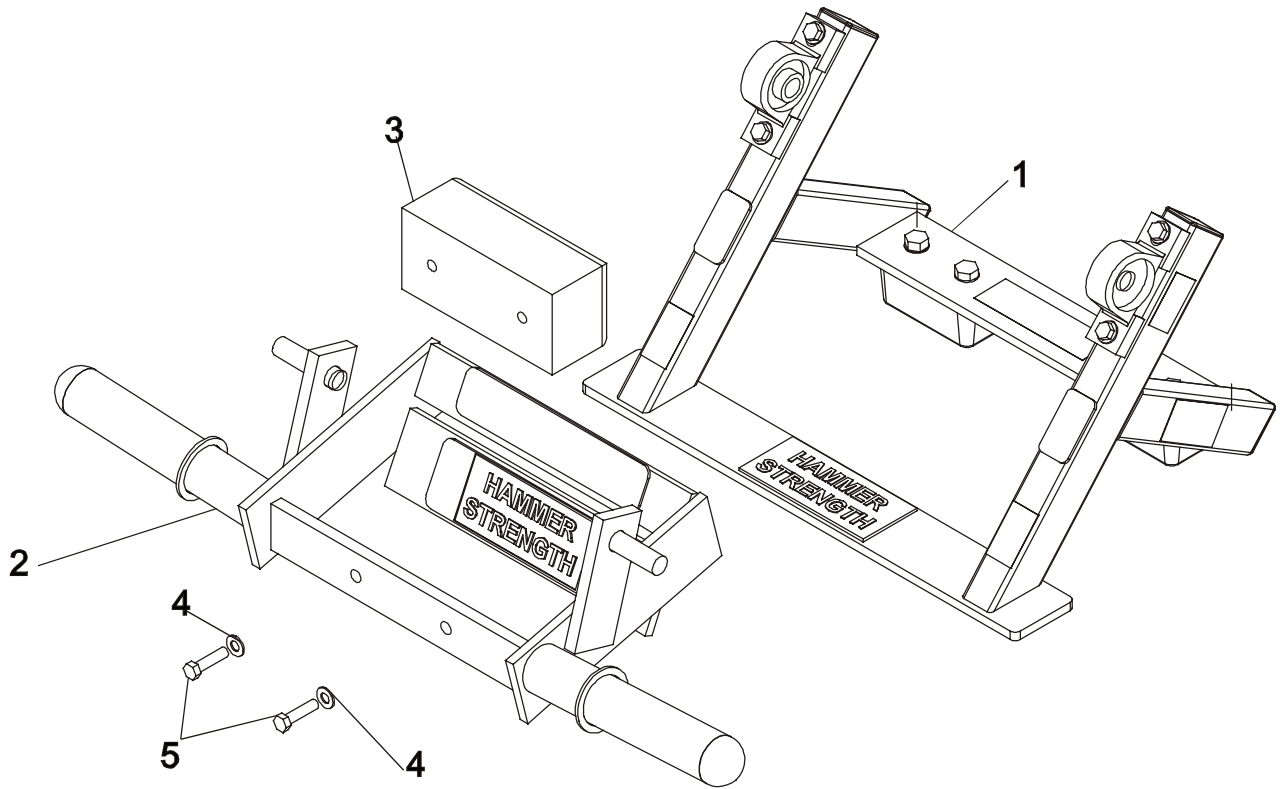
Movement Arm Weldment



ITEM NO.	QTY.	PART NO.	DESCRIPTION
1	1	TIBIA-MA-0	WLDMT, MOVEMENT ARM
2	2	H-BENDCAP	Bullet Cap
3	1	H-NONSKID-3 X 9	2 5/8 X 9 Nonskid
4	1	H-NONSKID-2 X 9	1 3/4 X 9 Nonskid

HAMMER STRENGTH EQUIPMENT - PLTIB

Workbox Assembly



ITEM NO.	QTY.	PART NO.	DESCRIPTION
1	1	TIBIA-CWB-0	Workbox Assembly
2	1	TIBIA-CMA-0	Movement Arm Assembly
3	1	U4W	Knee Pad
4	2	WASH.375SAE	3/8" SAE Flat Washer
5	2	HHB.375X1.5	3/8 X 1 1/2 Bolt