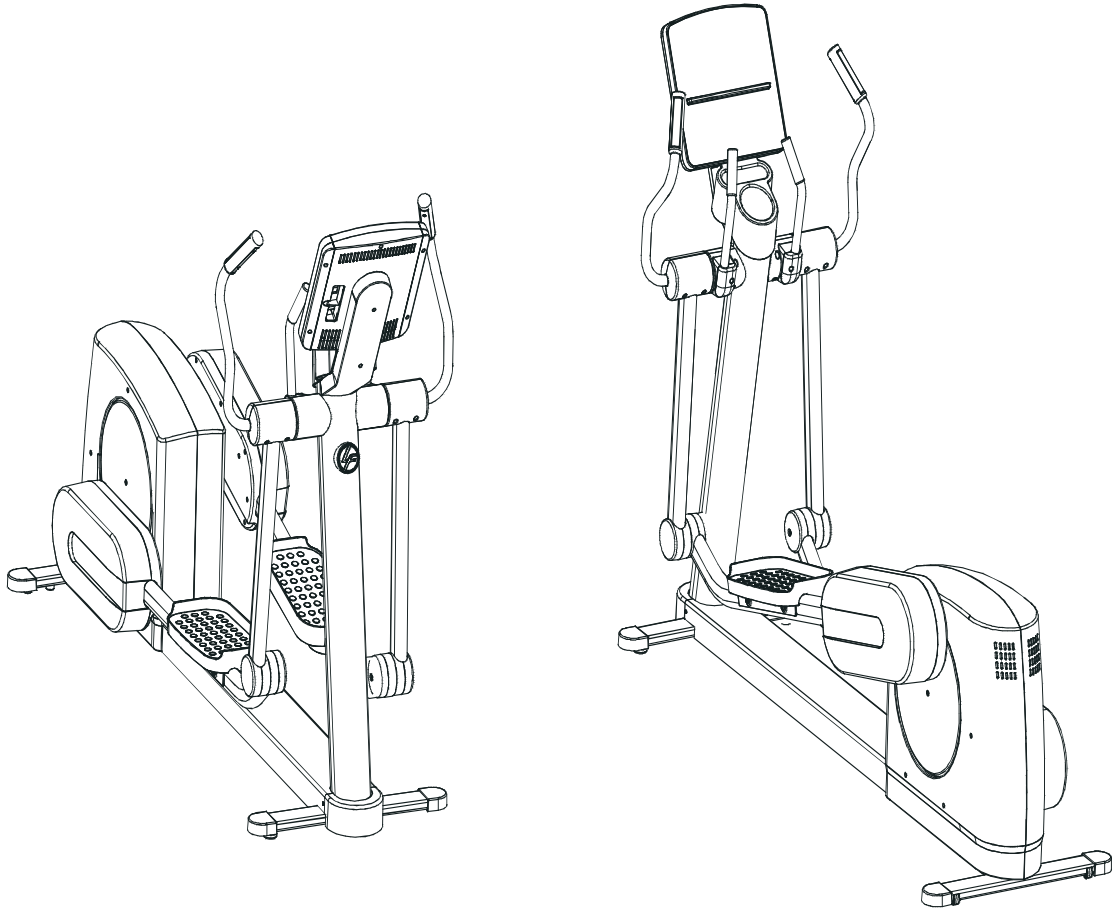


LifeFitness

CROSS TRAINER 95X-0XXX-02



Customer Support Services
PARTS MANUAL rev 30 Jan 2014

CROSS TRAINER 95Xi
REFERENCES

95X-0XXX-02
S/N XTD100000

| | |
|-----------------------------|-----------------|
| OPERATION MANUAL | M051-00K62-A107 |
| SERVICE MANUAL | M051-00K62-A060 |
| HARDWARE BAG | AK62-00152-0001 |
| PLUG IN OPTION 120/60 | GK62-00002-0018 |
| PLUG IN OPTION 240/50 UK | GK62-00002-0019 |
| PLUG IN OPTION 240v AUS | GK62-00002-0020 |
| PLUG IN OPTION 230/50 CONT. | GK62-00002-0021 |

| | Page |
|--|------|
| CONSOLE SUPPORT & DEADSHAFT COVERS | 4 |
| HANDLEBARS AND BULLHORNS | 5 |
| CONSOLE AND RELATED COMPONENTS..... | 6 |
| UPPER FRAME HARDWARE | 7 |
| ROCKER ARMS AND PEDAL LEVERS | 8 |
| CRANK COVER AND LOWER CAPS | 9 |
| LOWER FRAME SHROUDS AND HARDWARE | 10 |
| PEDAL LEVER COMPONENTS | 11 |
| DRIVE MODULE COMPONENTS AND MAIN CABLE | 12 |
| DRIVE MODULE HARDWARE | 13 |
| CABLES..... | 14 |

Note: The 95Xi comes with both Telemetry and LifePulse Sensors.

CROSS TRAINER 95Xi
Console Support & Deadshaft Covers

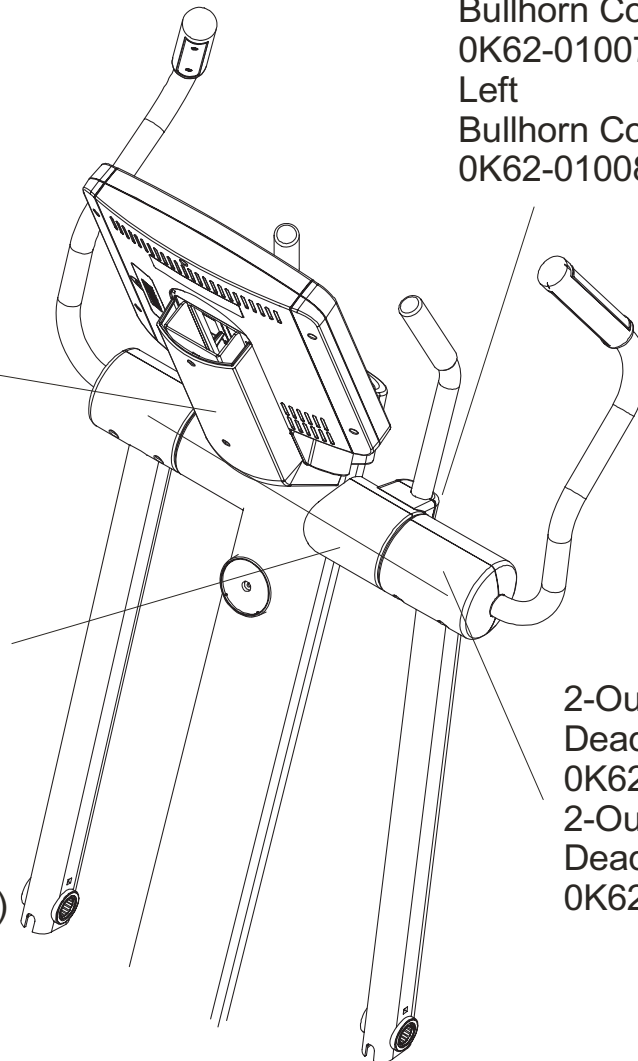
95X-0XXX-02
S/N XTD100000

Console Support
AK62-00123-0000
Console Support Cap
0K62-01030-0001
(Stealth Gray)
Console Support
Shroud
0K62-01023-0001
(Stealth Gray)
0K62-01031-0001
(Stealth Gray)
Console Support
Grommet
0017-00042-1147

Right
Bullhorn Cover
0K62-01007-0001
Left
Bullhorn Cover
0K62-01008-0001

Right Inside
Deadshaft Cover
0K62-01010-0000
Left Inside
Deadshaft Cover
0K62-01011-0000
Front Inside
Deadshaft Covers (2)
0K62-01009-0000

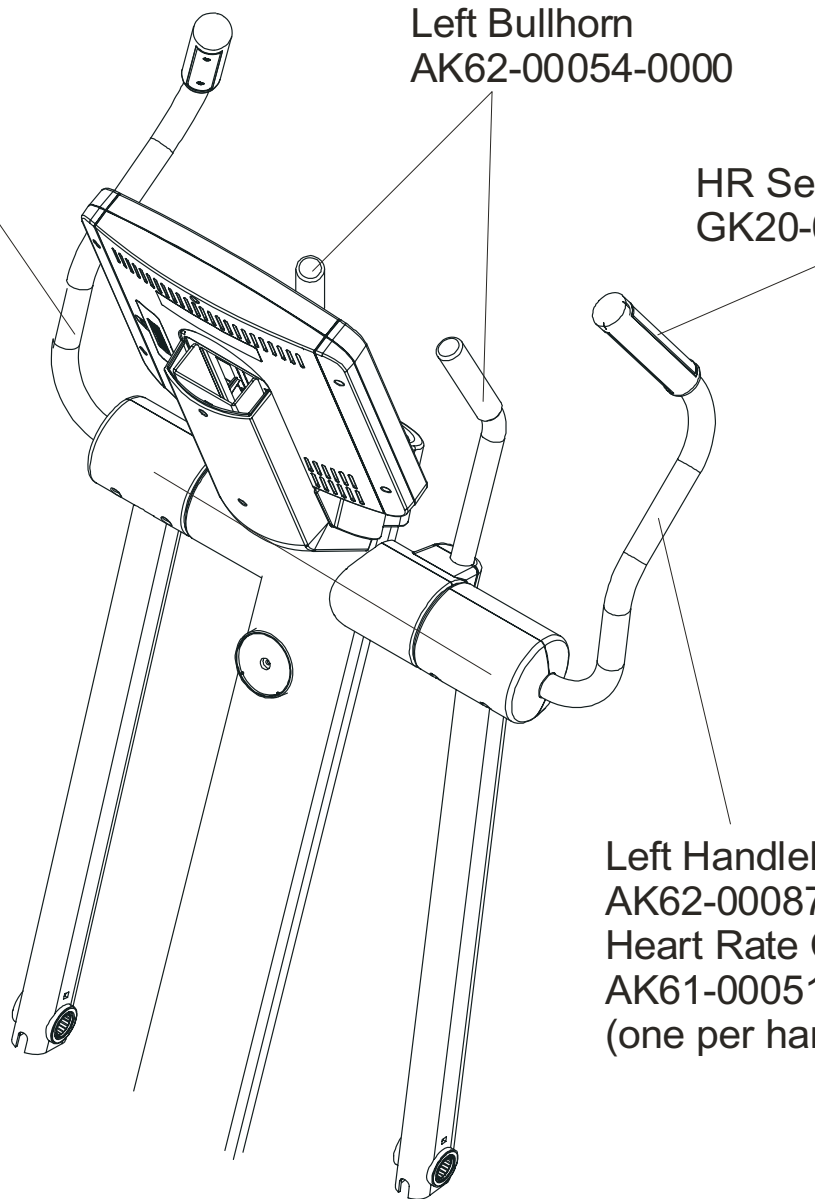
2-Outside Front
Deadshaft Cover
0K62-01013-0000
2-Outside Rear
Deadshaft Cover
0K62-01012-0000



Right Handlebar
AK62-00086-0000

*Right Bullhorn
AK62-00053-0000
Left Bullhorn
AK62-00054-0000

HR Sensor Kit
GK20-00002-0005

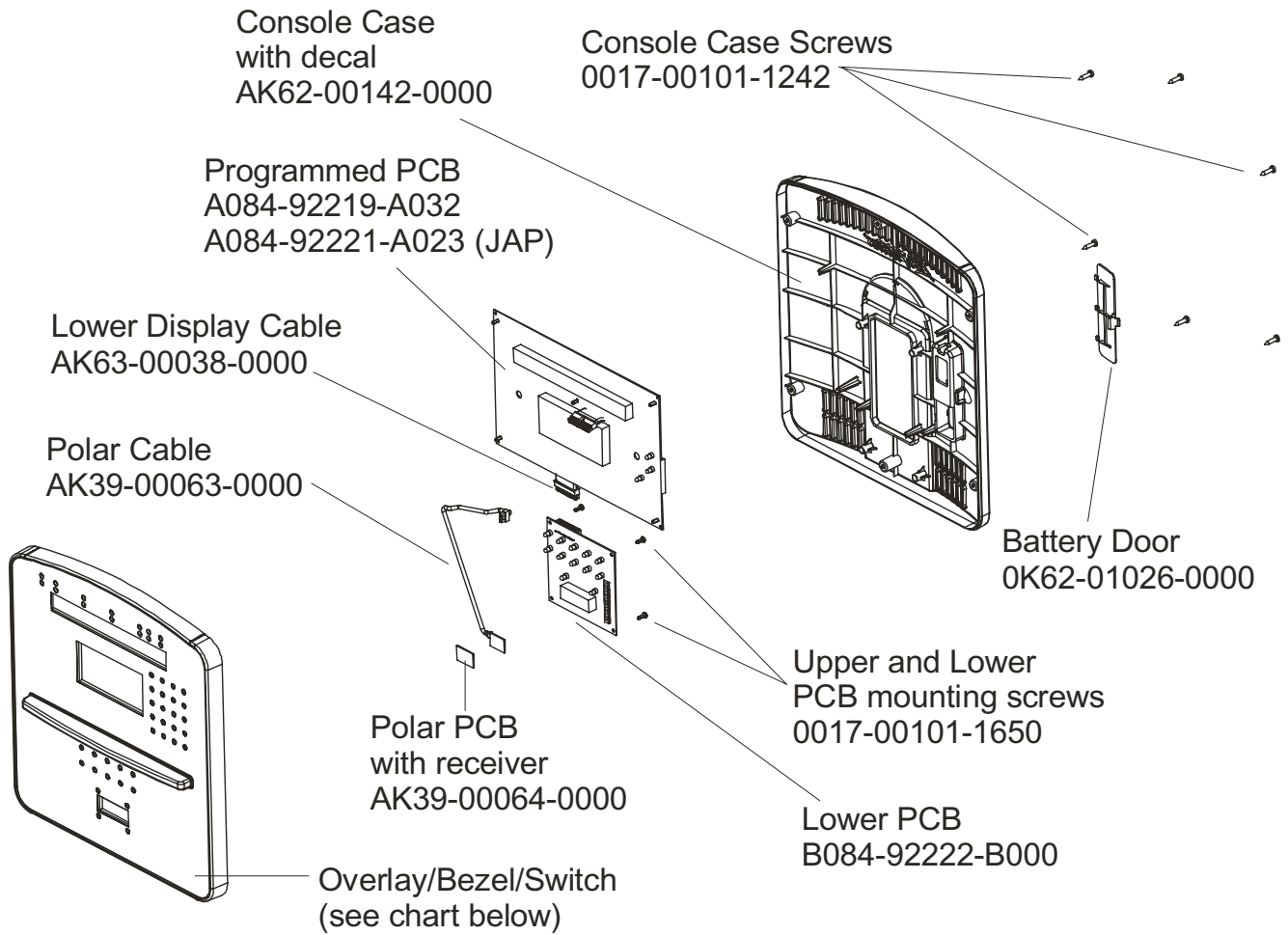


Left Handlebar
AK62-00087-0000
Heart Rate Cable
AK61-00051-0001
(one per handlebar)

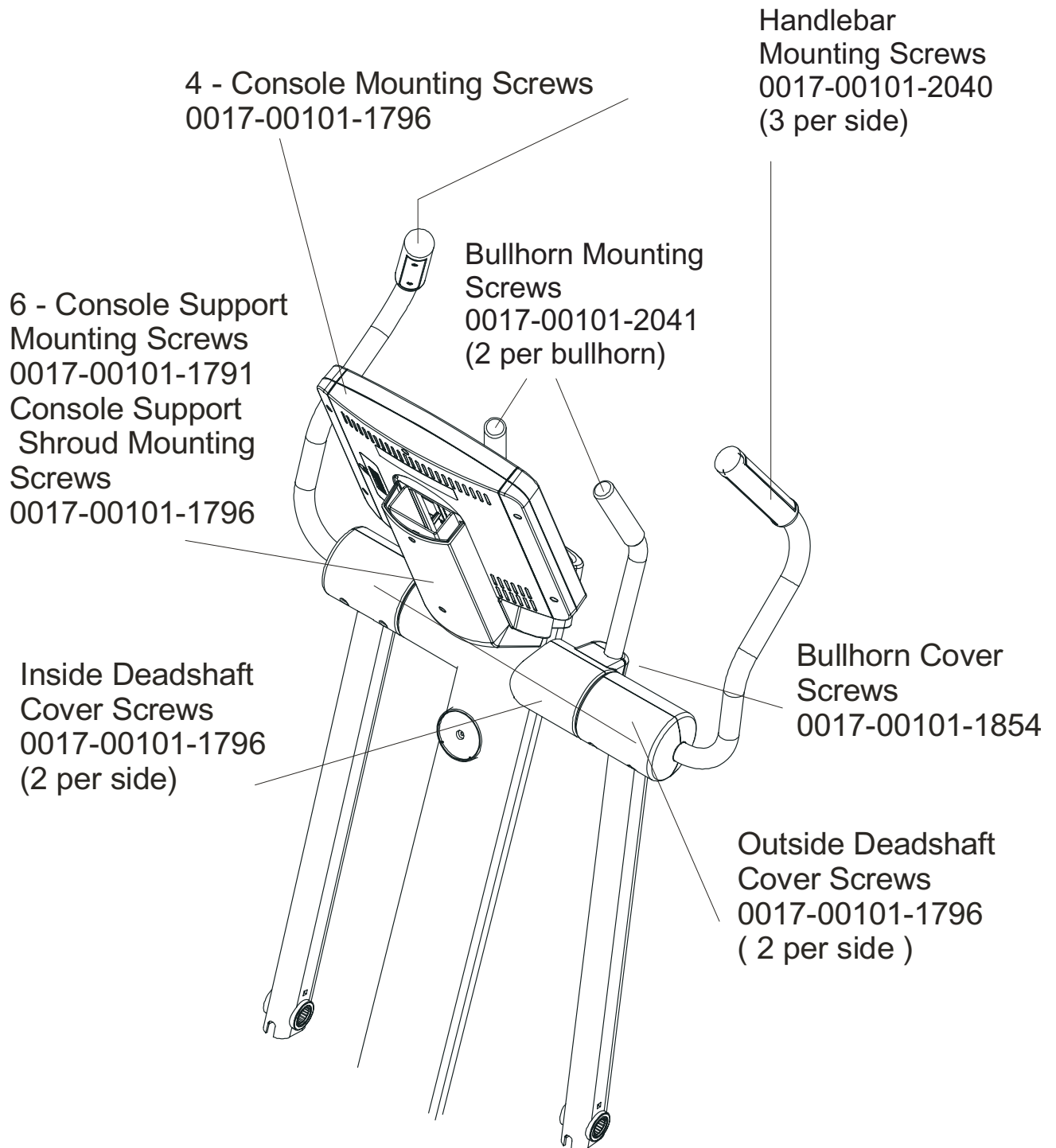
*Right Bullhorn Assembly consists of: AK62-00057-0000 Bullhorn,
0K62-01136-0000 Grip and 0K62-01199-0000 Gasket
Left Bullhorn Assembly consists of: AK62-00058-0000 Bullhorn,
0K62-01136-0000 Grip and 0K62-01199-0000 Gasket

CROSS TRAINER 95Xi
Console & Related components

95X-0XXX-02
S/N XTD100000



| CONSOLE | OVERLAY/BEZEL/SWITCH | LANGUAGE |
|-----------------|----------------------|-----------|
| AK62-00149-0001 | AK62-00191-0001 | Eng + Met |
| AK62-00149-0003 | AK62-00191-0003 | Ger/Met |
| AK62-00149-0004 | AK62-00191-0004 | Spn/Met |
| AK62-00149-0006 | AK62-00191-0006 | Jap/Met |
| AK62-00149-0007 | AK62-00191-0007 | Frn/Met |
| AK62-00149-0008 | AK62-00191-0008 | Ital/Met |
| AK62-00149-0009 | AK62-00191-0009 | Dut/Met |
| AK62-00149-0010 | AK62-00191-0010 | Port/Met |



Items Not Shown:

| | |
|---------------------|--------------------------------|
| Accessory Tray | 0K62-01022-0001 (Stealth Gray) |
| Mounting Screws (2) | 0017-00101-1846 |

CROSS TRAINER 95Xi
Rocker Arms & Pedal Levers

95X-0XXX-02
S/N XTD100000

Rocker Arms Kit
GK62-00002-0070
contents:

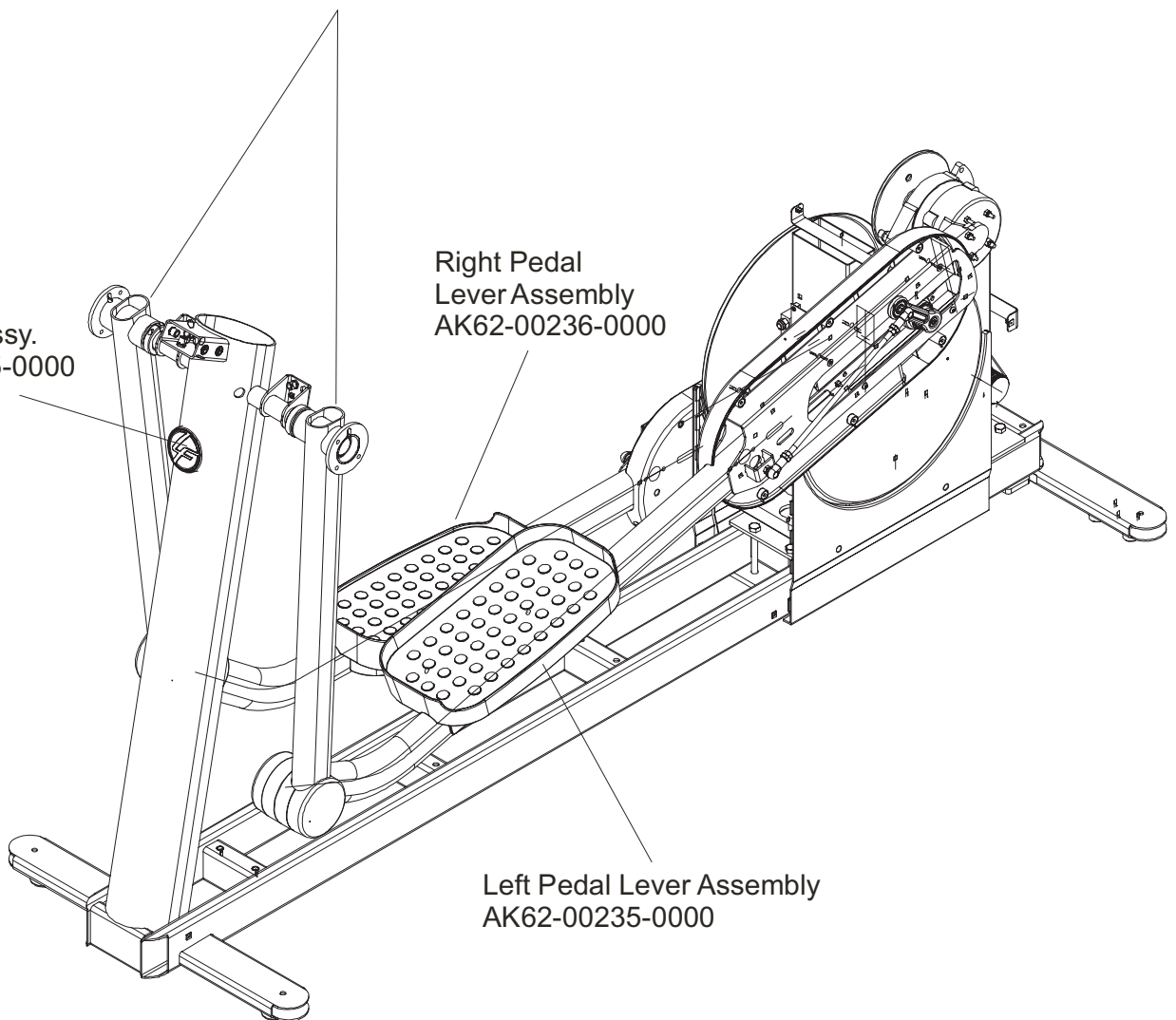
- Rocker Arms (2)
- Hardened Spacers (2)
- Oilite Washers (2)
- Retaining Rings (2)
- Loctite 620
- Alcohol pad

Rocker Arms
AK62-00062-0001
Shaft Collar w/Screws
0K61-01259-0000

LF Bug
Medallion Assy.
AK58-00245-0000

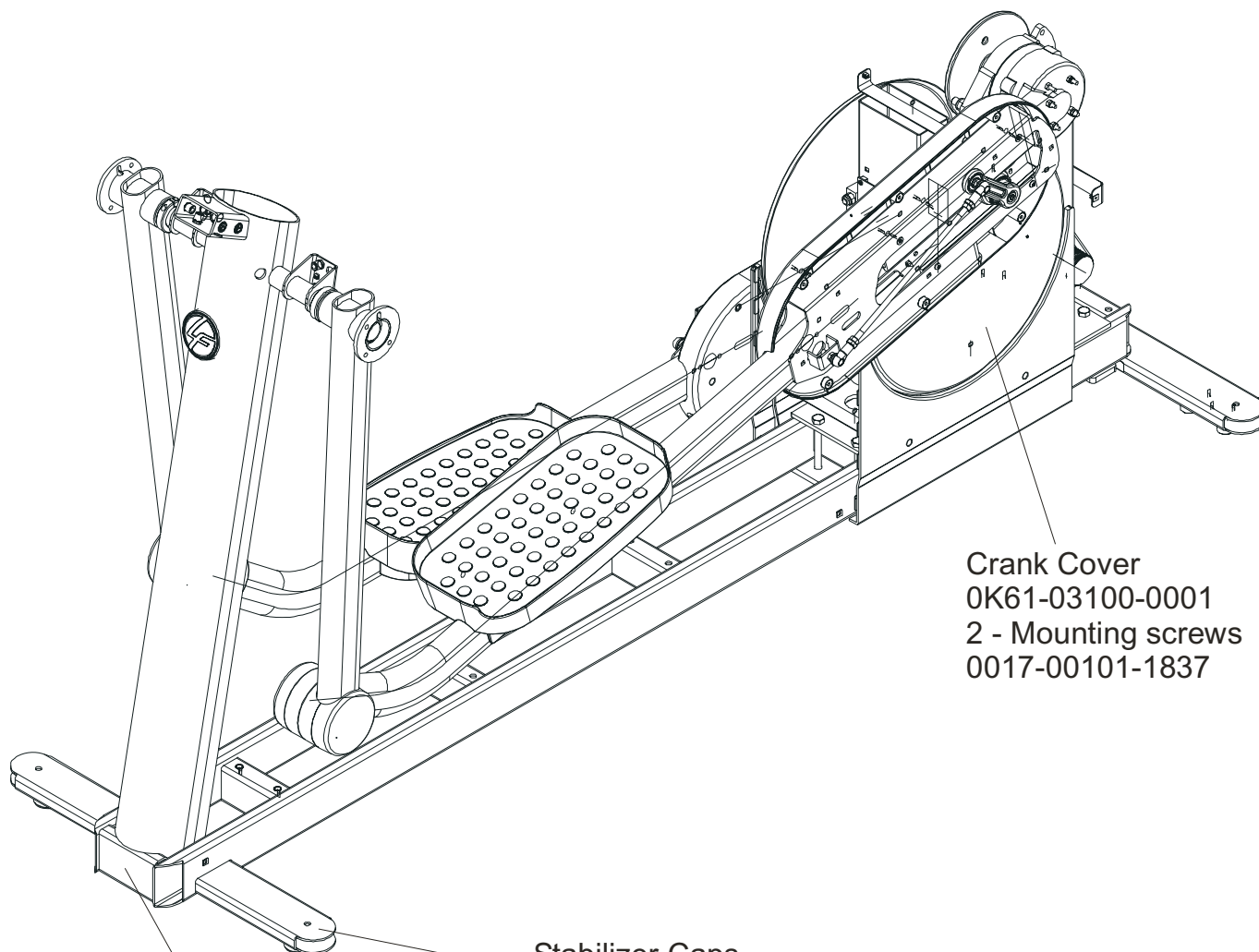
Right Pedal
Lever Assembly
AK62-00236-0000

Left Pedal Lever Assembly
AK62-00235-0000



CROSS TRAINER 95Xi
Crank Cover and Lower Caps

95X-0XXX-02
S/N XTD100000



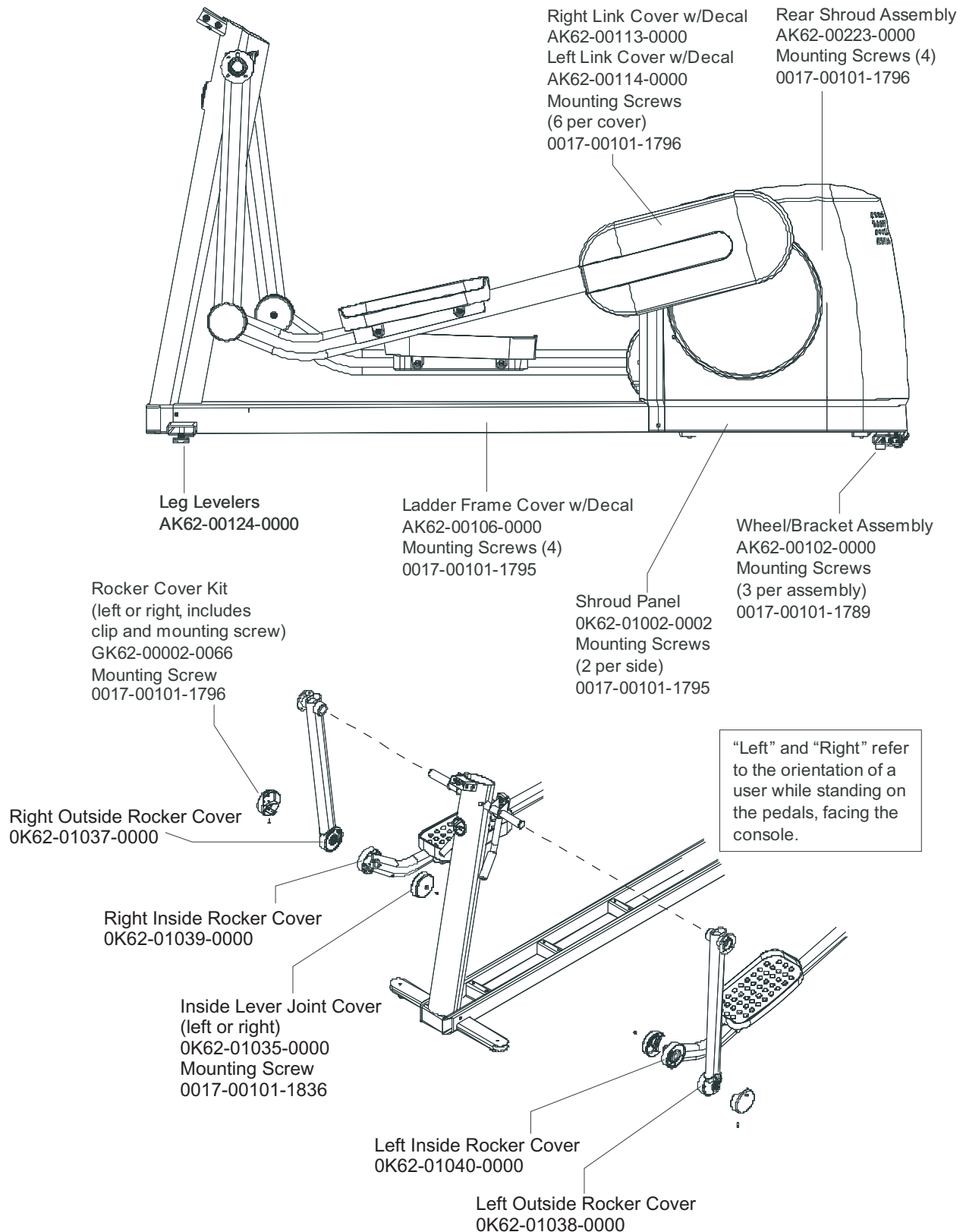
Crank Cover
OK61-03100-0001
2 - Mounting screws
0017-00101-1837

Stabilizer Caps
4 - OK68-01130-0201

Front Frame Cap
OK62-01004-0002
(Stealth Gray)
Mounting Screws
(Located on front sides of Ladder Frame Cover)
2- 0017-00101-1795

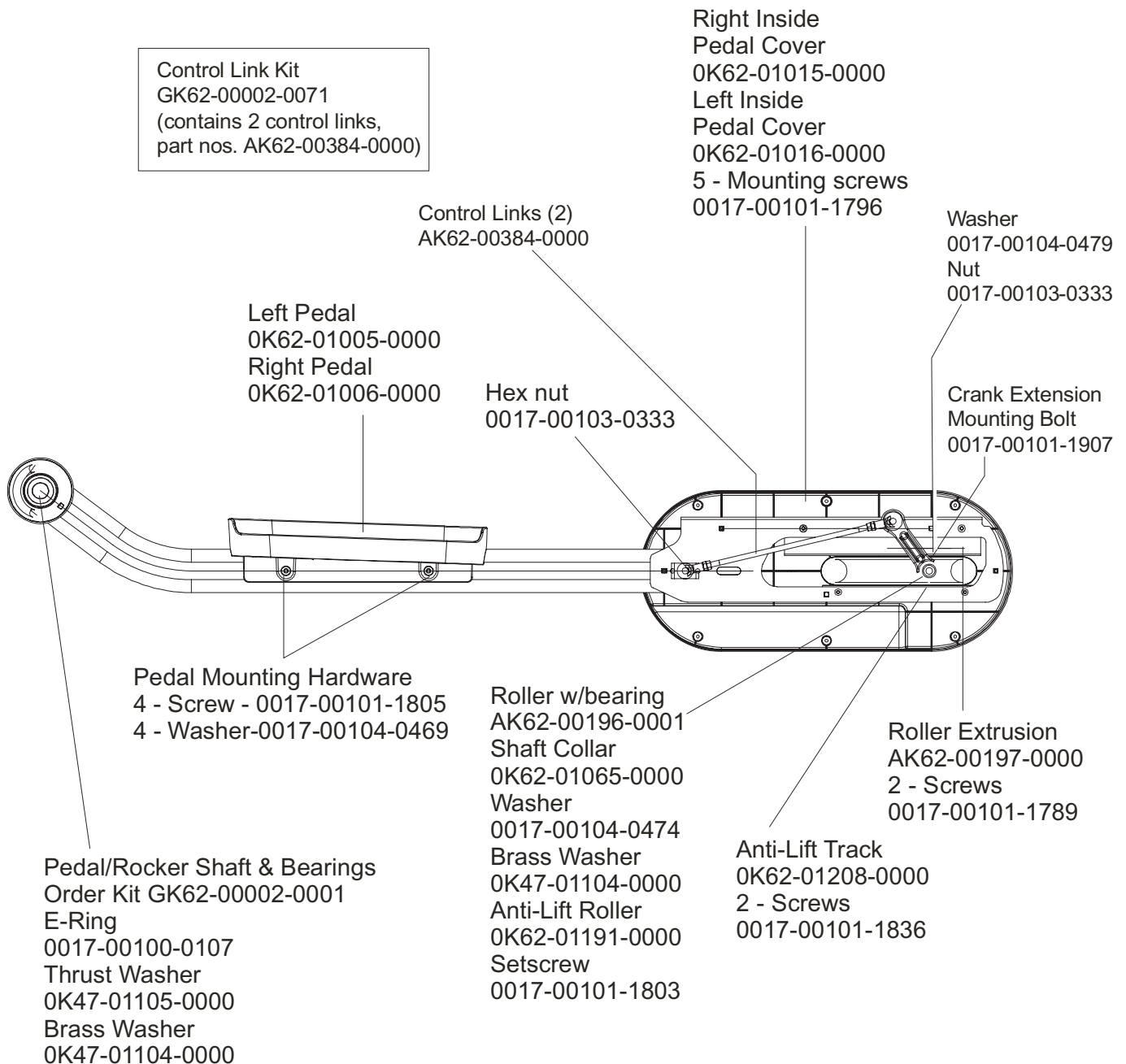
CROSS TRAINER 95Xi
Lower Frame Shrouds & Hardware

95X-0XXX-02
S/N XTD100000



CROSS TRAINER 95Xi
Pedal Lever Assembly Components

95X-0XXX-02
S/N XTD100000



Note: If replacing the Tie Rod Assembly or Crank Extension for the first time, order kit GK62-00002-0015. Both sides must be replaced simultaneously in this situation.

CROSS TRAINER 95Xi
Drive Module components & Cable

95X-0XXX-02
S/N XTD100000

