

# Elevation Series Discover Upright Lifecycle® Base

(95C-XXXXX-06, 97C-XXXXX-06, 95CS-XXXXX-XX07, 95CS-XXXXX-0115,  
97CS-XXXXX-XX07, 97CS-XXXXX-0115, PCSCS-XXXXX-XX07, PCSCS-XXXXX-0115,  
PCSC-XXXXX-XX07)

## PARTS MANUAL



# Table of Contents

---

<b>Miscellaneous</b>	<b>2</b>
<b>Drive System</b>	<b>4</b>
Pedals and Cranks	4
Generator and Related Components	6
Idler Assembly	8
<b>Lower Frame</b>	<b>9</b>
Front Stabilizer and Components	9
Battery, Leg Leveler and Rear Stabilizer	10
<b>Upper Frame</b>	<b>11</b>
Monocolumn and Console Mounting Bracket	11
Shrouds - Console	13
Shrouds - Front and Seat	14
Shrouds (Left, Right, Step) and GBC Shield	15
Seat and Seat Post Components	16
<b>Heart Rate System</b>	<b>18</b>
Handlebar and Components	18
<b>Wiring Diagrams</b>	<b>19</b>
Discover Console Cables	19
Achieve Console Cables	21

# Miscellaneous Part Numbers

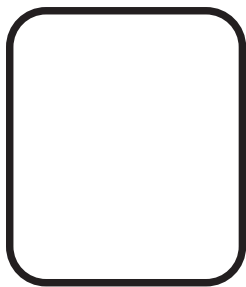
Item	Alpha Code	Part Number	Description (Quantity)
MISC-001	CHB, CHD, APU, APC, APP, APT, APM, APJ, PCE		Operation Manual Available Online
MISC-002	CHB, CHD, APU, APC, PCE	0017-00003-1072	+24V Power Supply
	APT, APJ, APM, API	0017-00003-1051	+39V Power Supply
MISC-003	CHB, CHD, APU, APC, APP, APJ, PCE	0017-00003-0704	Line Cord 10A, 1258 V
	CHB, CHD, APU, APC, APJ, PCE	0017-00003-0691	Line Cord Cont 10A, 250 V
	CHB, CHD, APU, APC, APJ, PCE	0017-00003-0889	Line Cord Cont U.K. 10A
	CHB, CHD, APU, APC, APJ, PCE	0017-00003-0918	Line Cord Cont Australia
	CHB, CHD, APU, APC, APJ, PCE	0017-00003-1053	Line Cord Brazil
MISC-004	CHB, CHD, APU, APC, APP, APT, APM, APJ, API, PCE	0017-00008-0204	Arctic Silver Touch Up Paint: Spray Can
MISC-005	CHB, CHD, APU, APC, APP, APT, APM, APJ, API, PCE	0017-00008-0205	Arctic Silver Touch Up Paint: .5 Oz Bottle W/ Applicator
MISC-006	CHB, CHD, APU, APC, APP, APT, APM, APJ, API, PCE	0017-00008-0206	Arctic Silver Touch Up Paint: .33 Oz Pen
MISC-007	CHB, CHD	AK66-00161-0000	Bracket Assembly: Power/Coax Input Assembly: Shadow Gray
	APU, APC, APP, APJ, PCE	AK66-00161-2400	Bracket Assembly: Power/Coax Input Assembly: Charcoal Gray
MISC-009	CHB, CHD, APU, APC, APP, APT, APM, APJ, API, PCE	0017-00021-2846	F-type Panel Connector
MISC-010	CHB, CHD, APU, APC, APP, APT, APM, APJ, API, PCE	0017-00021-2847	Phone Jack Receptacle
MISC-011	APU, APC, APP	0K69-01255-2400	Power Brick Clip* <i>Note: Use with 35mm height and 60mm wide power brick</i>
	APU, APC, APP	1016698-0001	Power Brick Clip* <i>Note: Use with 33mm height and 52mm wide power brick</i>
MISC-012	APU, APP, PCE	0017-00008-0223	Pearl White BASE Touch Up Paint: Spray Can
MISC-013	APU, APP, PCE	0017-00008-0225	Pearl White BASE Touch Up Paint: .5 Oz Bottle W/ Applicator
MISC-014	APU, APP, PCE	0017-00008-0224	Pearl White TOP COAT Touch Up Paint: Spray Can
MISC-015	APU, APP, PCE	0017-00008-0226	Pearl White TOP COAT Touch Up Paint: .5 Oz W/ Applicator
MISC-016	APU, APP, PCE	0017-00008-0227	Titanium Touch Up Paint: Spray Can
MISC-017	APU, APP, PCE	0017-00008-0228	Titanium Touch Up Paint: .5 Oz Bottle W/ Applicator
MISC-018	APU, APP, PCE	0017-00008-0229	Metallic Black Touch Up Paint: Spray Can
MISC-019	APU, APP, PCE	0017-00008-0230	Metallic Black Touch Up Paint: .5 Oz Bottle W/ Applicator
MISC-020	APU, APC, APP, API, APT, APM, APJ	0017-00008-0231	Charcoal Gray Touch Up Paint: Spray Can
MISC-021	APU, APC, APP, API, APT, APM, APJ	0017-00008-0232	Charcoal Gray Touch Up Paint: .5 Oz Bottle W/ Applicator

**\*MEASURE POWER BRICK PRIOR TO ORDERING POWER BRICK CLIP**

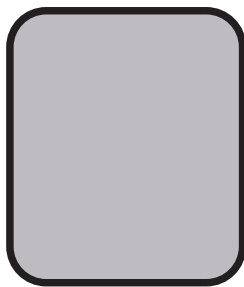
## Miscellaneous Part Numbers

---

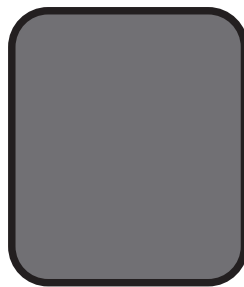
### Color Options for the Elevation Series Discover SE and SI Upright Lifecycle Base



Pearl White



Arctic Silver



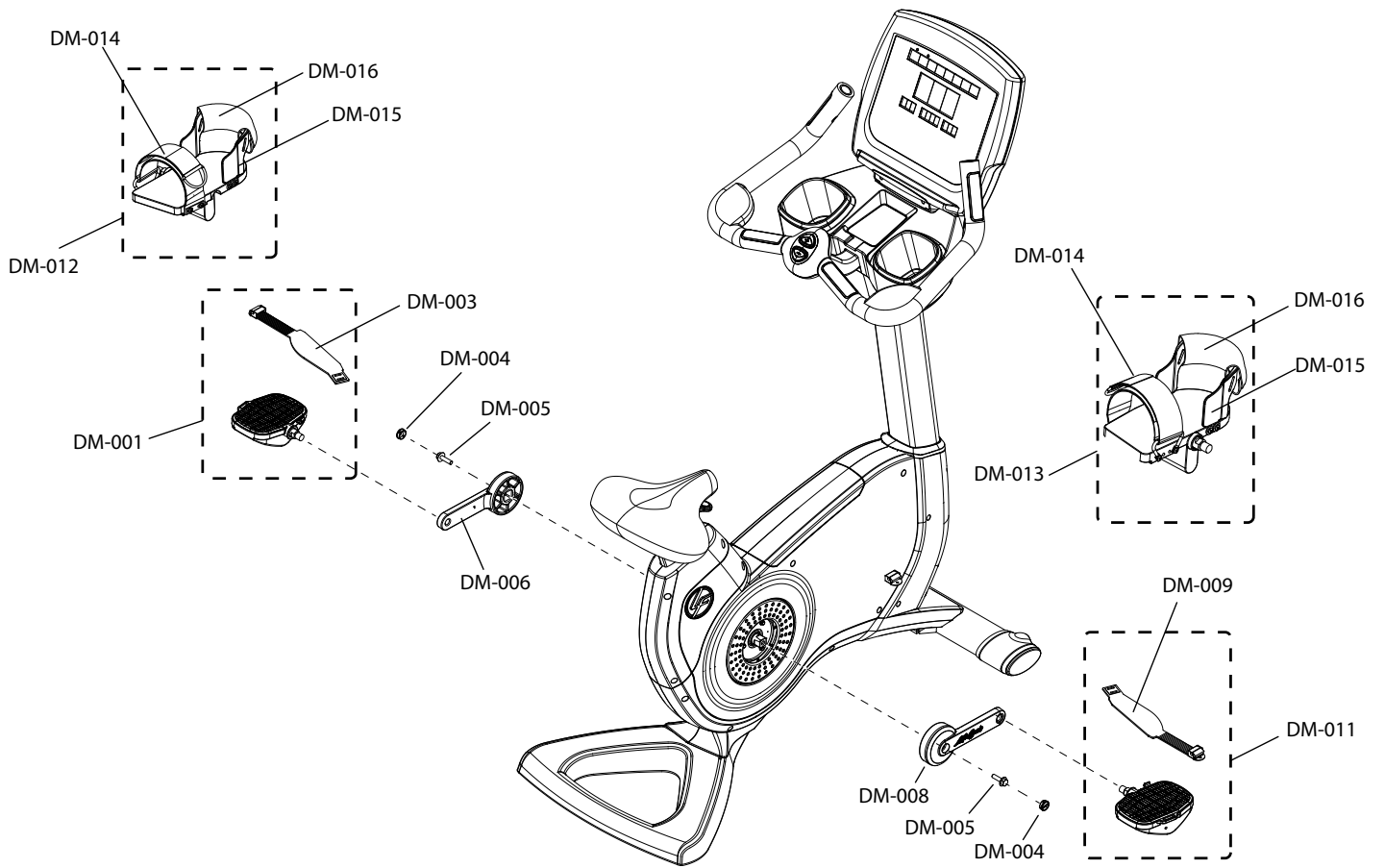
Titanium



Metallic Black

# Drive System

## Pedals and Cranks



**Refer to following page for Parts List**

# Drive System

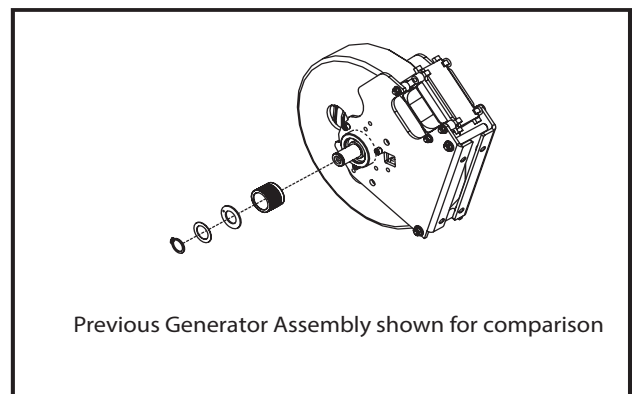
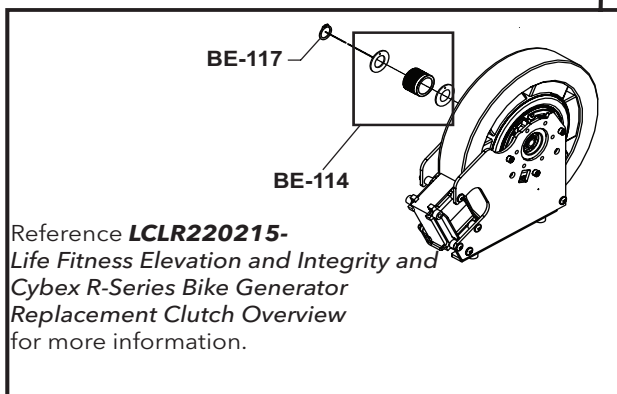
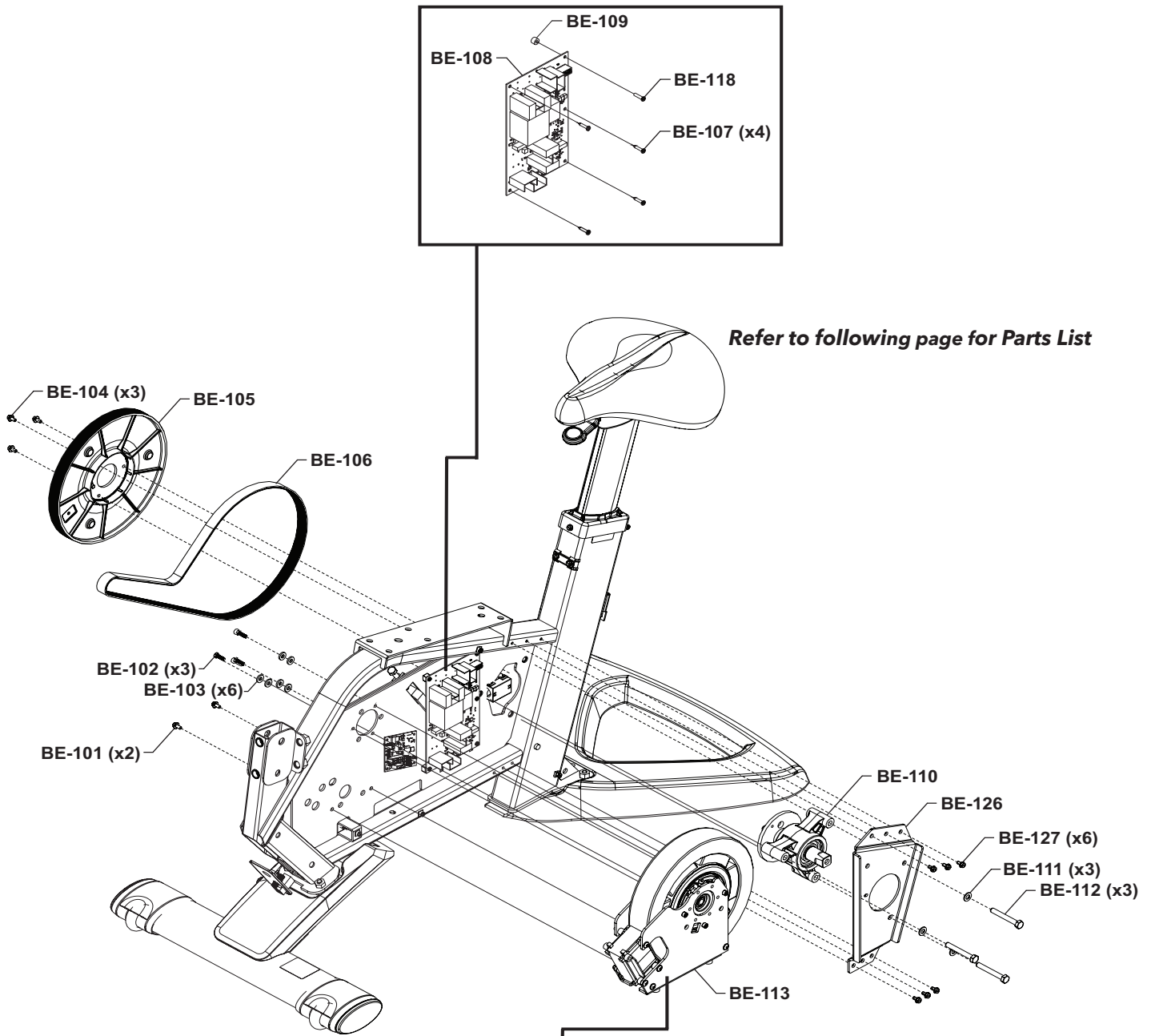
## Pedals and Cranks

### Parts List

Item	Alpha Code	Part Number	Description
DM-001	CHB, CHD, APP	AK66-00048-0001	Left Pedal w/ Strap Assembly: Shadow Gray
	APU, APC, APP, APT, APM, APJ, PCE	AK66-00048-0701	Left Pedal w/ Strap Assembly: Charcoal Gray
DM-003	CHB, CHD, APP	AK66-00135-0000	Left Pedal Strap Only: Shadow Gray
	APU, APC, APP, APT, APM, APJ, PCE	AK66-00135-0700	Left Pedal Strap Only: Black
DM-004	CHB, CHD, APP	0K66-01121-0000	Crank Cap: Shadow Gray
	APU, APC, APP, API, APT, APM, APJ, PCE	0K66-01121-2400	Crank Cap: Charcoal Gray
DM-005	CHB, CHD, APU, APC, APP, API, APT, APM, APJ, PCE	0017-00101-2077	Crank Screw
DM-006	APA, APB, APC, APD, APF, API, APJ, APM, APP, APT, APU, APV, ARM, ARP, BXL, BXR, BXU, CHR	1015425-0001	KIT: CRANK ARM, LEFT & RIGHT
DM-008			<b>NOTE: CRANK ARMS ARE SOLD IN PAIRS ONLY</b>
DM-009	CHB, CHD, APP	AK66-00136-0000	Right Pedal Strap Only: Shadow Gray
	APU, APC, APP, APT, APM, APJ, PCE	AK66-00136-0700	Right Pedal Strap Only: Black
DM-011	CHB, CHD, APP	AK66-00047-0001	Right Pedal w/ Strap Assembly: Shadow Gray
	APU, APC, APP, APT, APM, APJ	AK66-00047-0701	Right Pedal w/ Strap Assembly: Charcoal Gray
	PCE	AK66-00047-0701	Right Pedal w/ Strap Assembly: Black
DM-012	API	AK66-00093-0701	Left Pedal w/ Strap Assembly: Black
DM-013	API	AK66-00092-0701	Right Pedal w/ Strap Assembly: Black
DM-014	API	AK66-00141-0000	Strap Kit: IFI
DM-015	API	AK66-00128-0700	Heel Support: IFI
DM-016	API	0K66-01211-0000	Pedal Heel Cushion

# Drive System

## Generator and Related Components



## Generator and Related Components

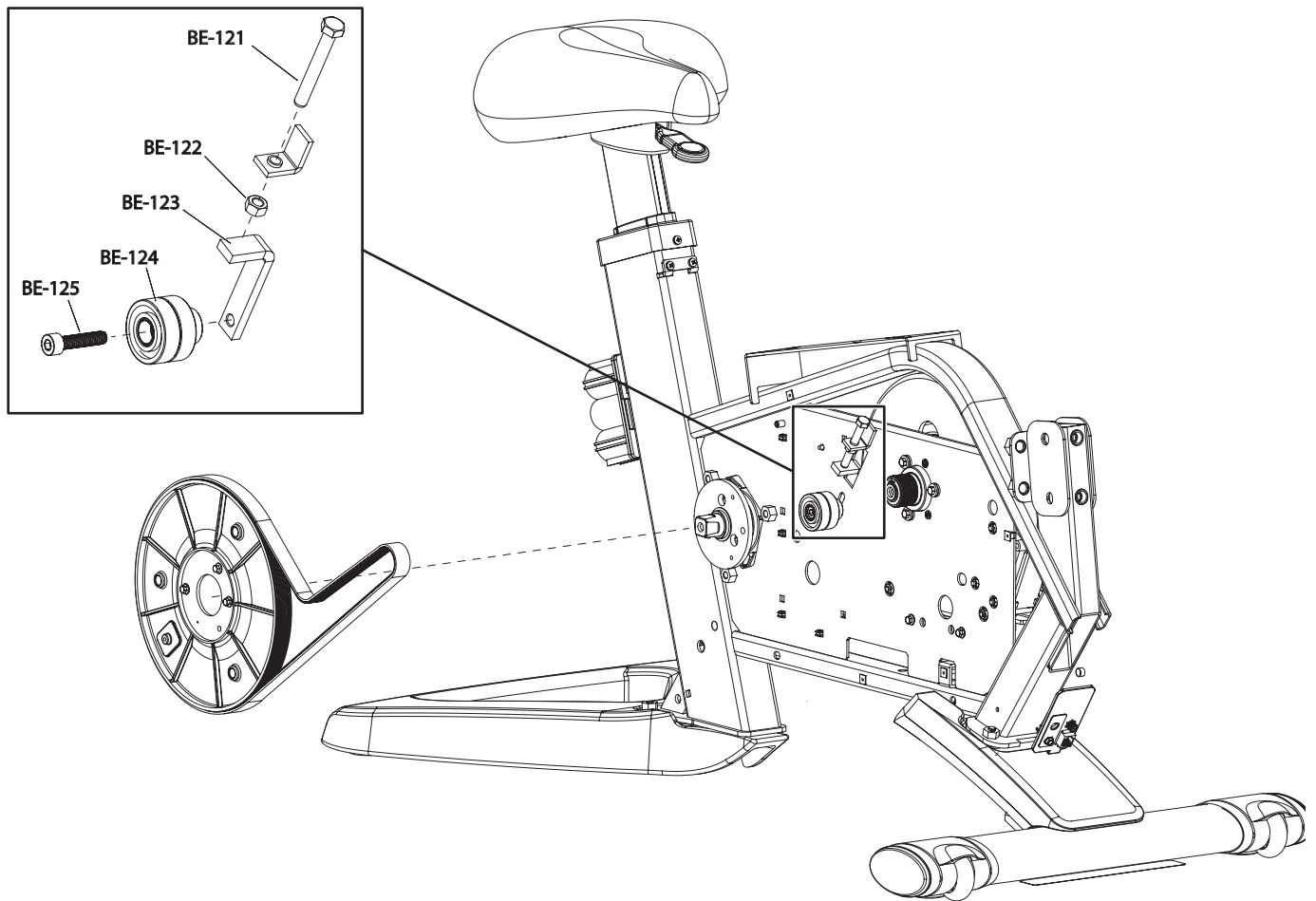
### Parts List

Item	Alpha Code	Part Number	Description
BE-101	CHB, CHD, APU, APC, APP, API, APT, APM, APJ, PCE	0017-00101-2102	Generator Mounting Bolt (2)
BE-102	CHB, CHD, APU, APC, APP, API, APT, APM, APJ, PCE	0017-00101-1894	Generator Mounting Bolt (3)
BE-103	CHB, CHD, APU, APC, APP, API, APT, APM, APJ, PCE	0017-00104-0330	Washer (6)
BE-104	CHB, CHD, APU, APC, APP, API, APT, APM, APJ, PCE	0017-00101-2102	Mounting Screw (3)
BE-105	CHB, CHD, APU, APC, APP, API, APT, APM, APJ, PCE	0K76-01068-0000	Pulley
BE-106	CHB, CHD, APU, APC, APP, API, APT, APM, APJ, PCE	0017-00009-1323	Poly-V Drive Belt
BE-107	CHB, CHD, APU, APC, APP, API, APT, APM, APJ, PCE	0017-00101-1838	Mounting Screw (4)
BE-108	CHB, CHD, APP	A084-92389-0000	Generator Control Board Assembly
	API, APT, APM, APJ	A084-92363-0002	Generator Control Board Assembly
	APC, APP, APU, PCE	A084-92389-0001	Generator Control Board Assembly
BE-109	CHB, CHD, APU, APC, APP, API, APT, APM, APJ, PCE	0017-00042-1229	Grounding Spacer
BE-110	CHB, CHD, APU, APC, APP, API, APT, APM, APJ, PCE	AK66-00151-0000	Crank/Hub Bearing Shaft Assembly
BE-111	CHB, CHD, APU, APC, APP, API, APT, APM, APJ, PCE	0017-00104-0469	Washer (3)
BE-112	CHB, CHD, APU, APC, APP, API, APT, APM, APJ, PCE	0017-00101-2002	Crank/Hub Mounting Screw (3)
BE-113	CHB, CHD, APU, APC, APP, API, APT, APM, APJ, PCE	1021125-0001	Kit: Generator with Cable
BE-114	CHB, CHD, APU, APC, APP, API, APT, APM, APJ, PCE	1015421-0001	Kit: Clutch, 18mm
BE-117	CHB, CHD, APU, APC, APP, API, APT, APM, APJ, PCE	0017-00100-0257	Retaining Ring (1)
BE-118	CHB, CHD, APU, APC, APP, API, APT, APM, APJ, PCE	0017-00101-1874	Grounding Screw
BE-126	CHB, CHD, APU, APC, APP, API, APT, APM, APJ, PCE	0K67-01149-0000	Reinforcement Plate
BE-127	CHB, CHD, APU, APC, APP, API, APT, APM, APJ, PCE	0017-00101-1193	Tap Tight Screw (6)



# Drive System

## Idler Assembly

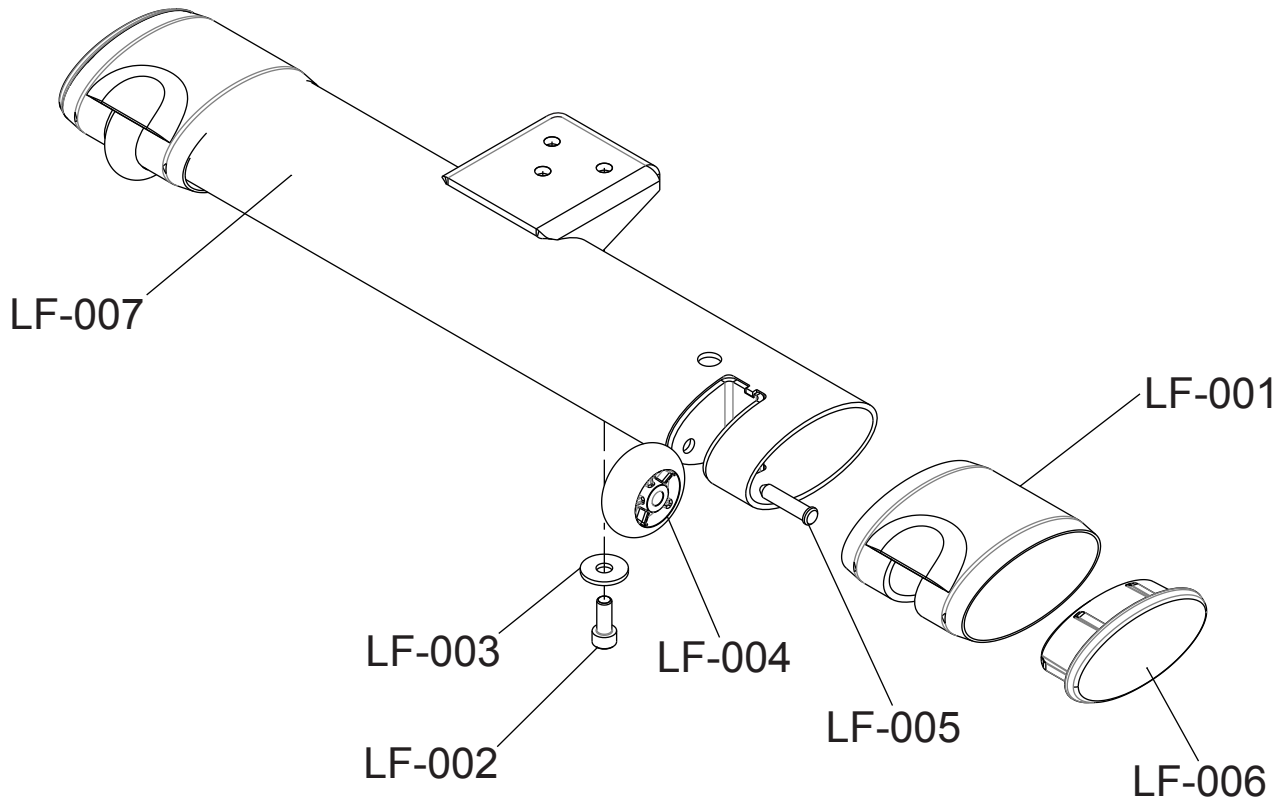


### Parts List

Item	Alpha Code	Part Number	Description
BE-121	CHB, CHD, APU, APC, APP, API, APT, APM, APJ, PCE	0017-00101-2002	Idler Tension Screw
BE-122	CHB, CHD, APU, APC, APP, API, APT, APM, APJ, PCE	0017-00103-0328	Idler Nut
BE-123	CHB, CHD, APU, APC, APP, API, APT, APM, APJ, PCE	0K66-01254-0000	Idler Tensioner Bracket
BE-124	CHB, CHD, APU, APC, APP, API, APT, APM, APJ, PCE	AK66-00173-0000	Idler Bearing Assembly
BE-125	CHB, CHD, APU, APC, APP, API, APT, APM, APJ, PCE	0017-00101-1982	Idler Bearing Screw

# Lower Frame

## Front Stabilizer and Components

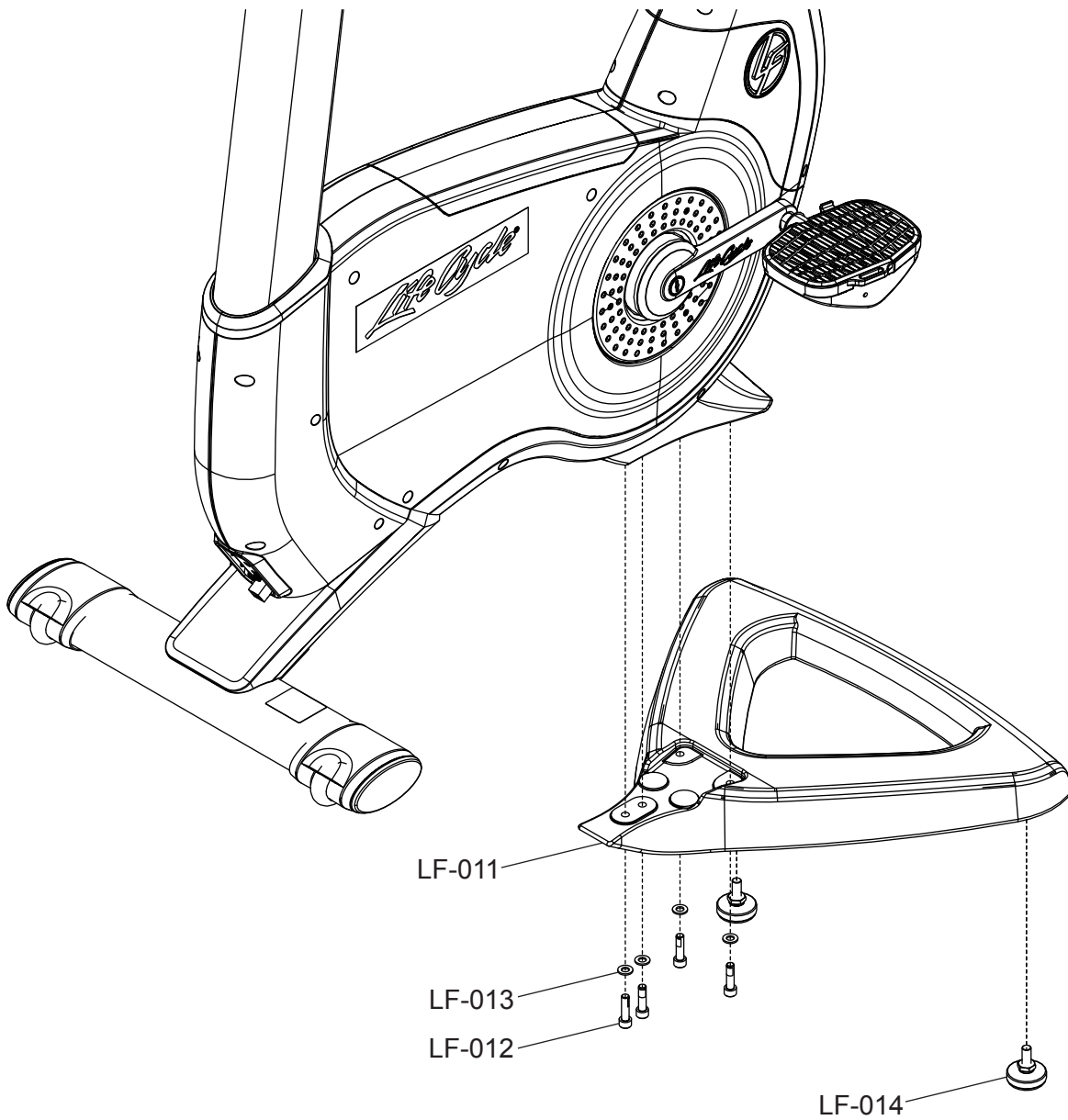


### Parts List

Item	Alpha Code	Part Number	Description
LF-001	CHB, CHD, APP	0K66-01041-0000	Front Stabilizer Shrouds: Shadow Gray
	APU, APC, APP, API, APT, APM, APJ, PCE	0K66-01041-0700	Front Stabilizer Shrouds: Black
LF-002	CHB, CHD, APU, APC, APP, API, APT, APM, APJ, PCE	0017-00101-1881	Stabilizer Mounting Screws (3)
LF-003	CHB, CHD, APU, APC, APP, API, APT, APM, APJ, PCE	0017-00104-0479	Washer (3)
LF-004	CHB, CHD, APU, APC, APP, API, APT, APM, APJ, PCE	0K66-01039-0000	Wheel
LF-005	CHB, CHD, APU, APC, APP, API, APT, APM, APJ, PCE	0K66-01040-0000	Wheel Shaft
LF-006	CHB, CHD, APP	0K66-01042-0000	Front Stabilizer End Caps: Shadow Gray
	APU, APC, APP, API, APT, APM, APJ, PCE	0K66-01042-0700	Front Stabilizer End Caps: Black
LF-007	CHB, CHD, APP	AK66-00016-0000	Painted Stabilizer: Shadow Gray
	APU, APC, APP, API, APT, APM, APJ, PCE	AK66-00016-2400	Painted Stabilizer: Charcoal Gray

# Lower Frame

## Battery, Leg Leveler and Rear Stabilizer

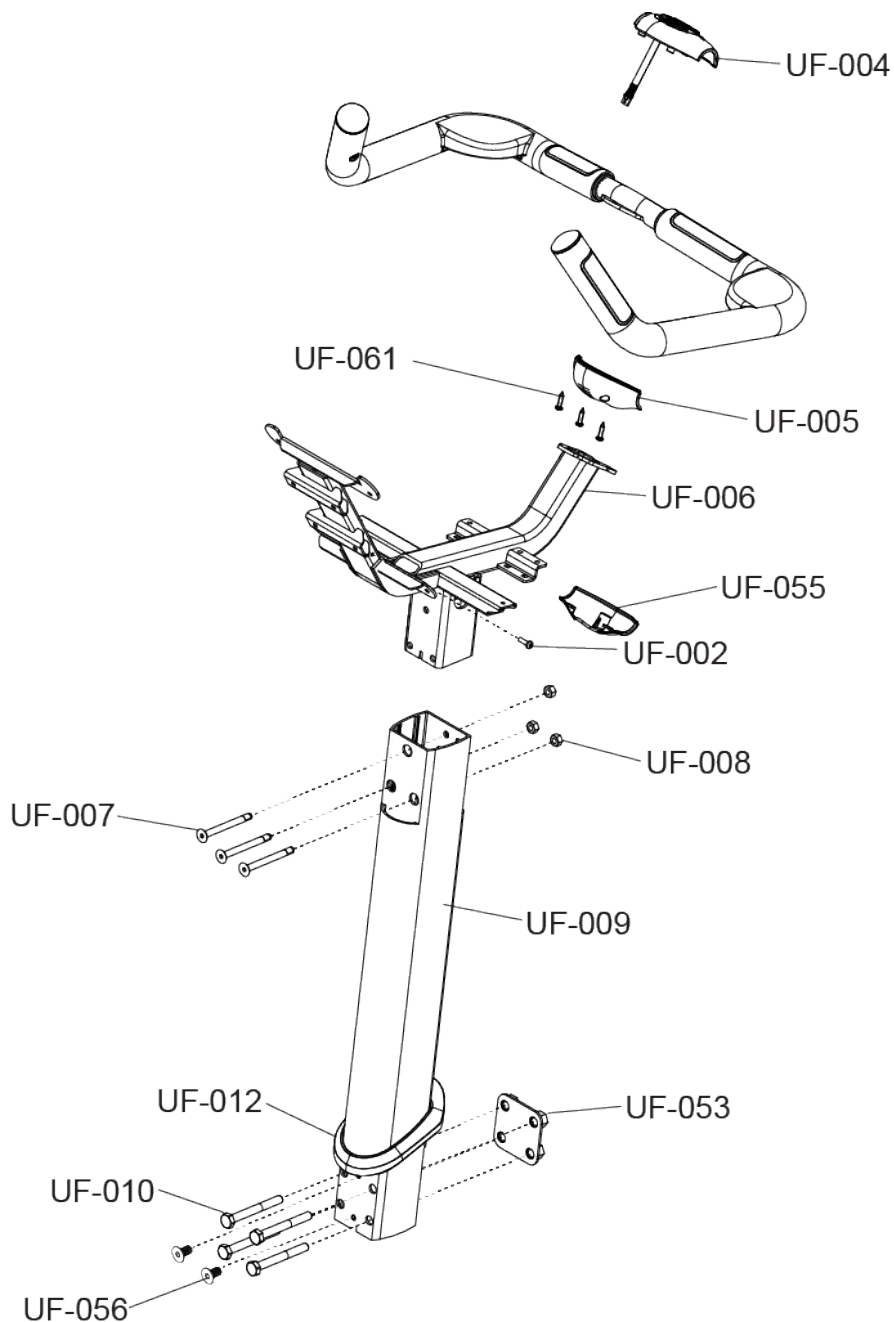


### Parts List

Item	Alpha Code	Part Number	Description
LF-011	CHB, CHD, APP	0K67-01124-0200	Rear Stabilizer: Shadow Gray
	APU, APC, APP, API, APT, APM, APJ, PCE	0K67-01124-2400	Rear Stabilizer: Charcoal Gray
LF-012	CHB, CHD, APU, APC, APP, API, APT, APM, APJ, PCE	0017-00101-1882	Rear Stabilizer Screw (4)
LF-013	CHB, CHD, APU, APC, APP, API, APT, APM, APJ, PCE	0017-00104-0469	Washer (4)
LF-014	CHB, CHD, APU, APC, APP, API, APT, APM, APJ, PCE	AK62-00124-0000	Leg Leveler

# Upper Frame

## Monocolumn and Console Mounting Bracket



### Parts List

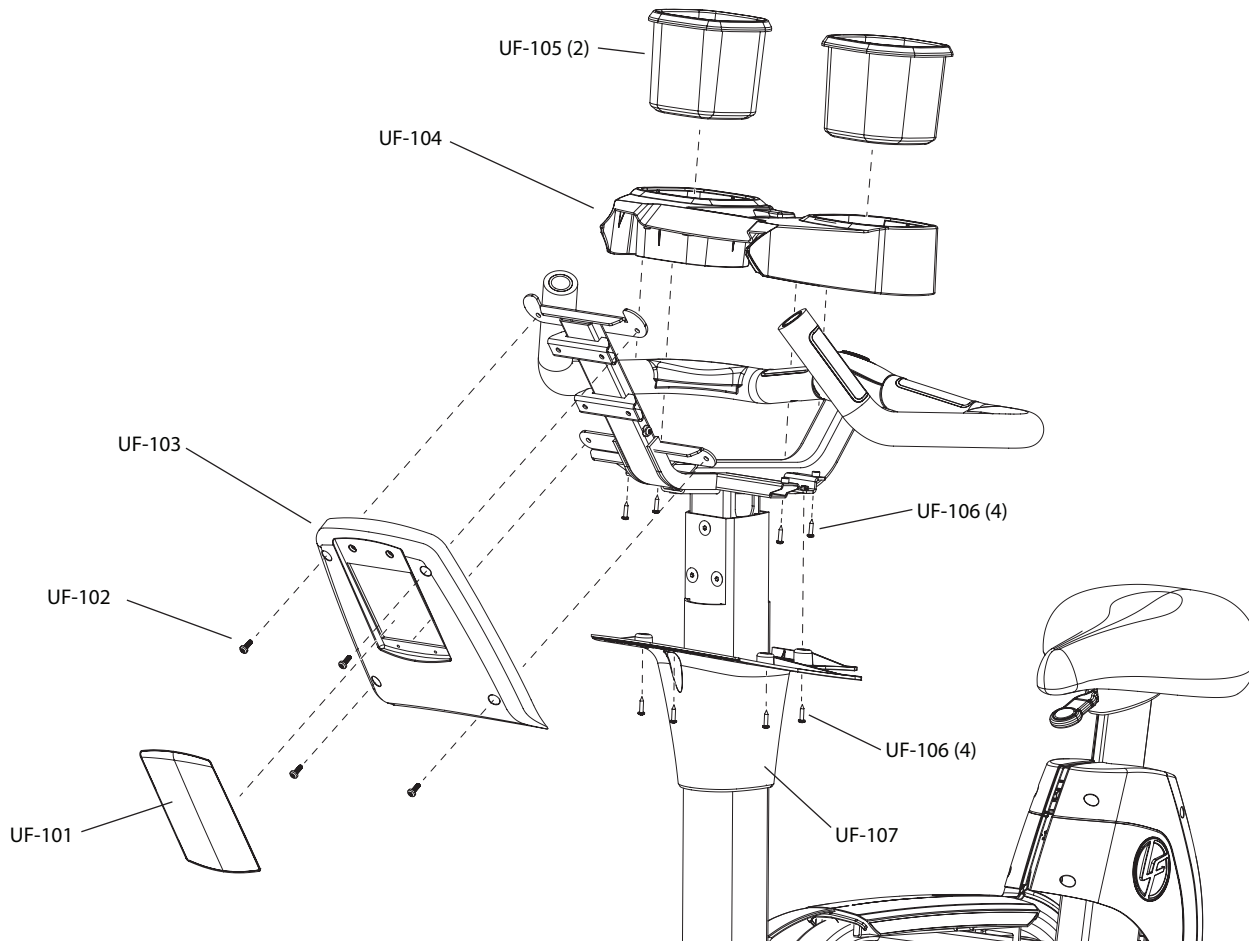
Item	Alpha Code	Part Number	Description
UF-002	CHB, CHD, APU, APC, APP, API, APT, APM, APJ, PCE	0017-00101-1986	Grounding Screw
UF-004	CHB, CHD, APP	AK67-00029-0000	Level Control Assembly: Shadow Gray
	APU, APC, APP, APT, APM, APJ, PCE	AK67-00029-2400	Level Control Assembly: Charcoal Gray
	API	AK67-00029-2401	Level Control Assembly: IFI, Charcoal Gray
UF-005	CHB, CHD, APP	0K67-01051-0000	Bottom Handlebar Cover - Front: Shadow Gray
	APU, APC, APP, API, APT, APM, APJ, PCE	0K67-01051-2400	Bottom Handlebar Cover - Front: Charcoal Gray
UF-061	CHB, CHD, APU, APC, APP, API, APT, APM, APJ, PCE	0017-00101-1796	Screw: M4.2 X 19, DIN, PHL, PAN, AB, ST, ZB (3)

## Monocolumn and Console Mounting Bracket

### Parts List

Item	Alpha Code	Part Number	Description
UF-006	CHB, CHD, APP	AK67-00048-0000	Console Mounting Bracket Assembly: Shadow Gray
	APU, APC, APP, API, APT, APM, APJ, PCE	AK67-00048-2400	Console Mounting Bracket Assembly: Charcoal Gray
UF-007	CHB, CHD, APU, APC, APP, API, APT, APM, APJ, PCE	0017-00101-2019	Mounting Bracket Screw (3)
UF-008	CHB, CHD, APU, APC, APP, API, APT, APM, APJ, PCE	0017-00103-0341	Hex Nut (3)
UF-009	CHB, APU, APP, API, APT, APM, APJ, PCE	0K67-01129-0000	Monocolumn: Arctic Silver
	APU, APP, PCE	0K67-01129-2100	Monocolumn: Pearl White
	APU, APP, PCE	0K67-01129-2200	Monocolumn: Titanium
	APU, APP, PCE	0K67-01129-2300	Monocolumn: Metallic Black
	CHD, APC, APJ, APU	0K67-01129-0001	XL Monocolumn: Arctic Silver
UF-010	CHB, CHD, APU, APC, APP, API, APT, APM, APJ, PCE	0017-00101-2035	Mounting Screw (4)
UF-012	CHB, CHD, APP	0K67-01039-0000	Upright Gasket: Shadow Gray
	APU, APC, APP, API, APT, APM, APJ, APT, PCE	0K67-01039-0700	Upright Gasket: Charcoal Gray
UF-053	CHB, CHD, APU, APC, APP, API, APT, APM, APJ, PCE	AK66-00158-0000	Nut Plate
UF-055	CHB, CHD, APP	0K67-01052-0000	Bottom Handlebar Cover - Rear: Shadow Gray
	APU, APC, APP, API, APT, APM, APJ, PCE	0K67-01052-2400	Bottom Handlebar Cover - Rear: Charcoal Gray
UF-056	APU, APC, APP, API, APT, APM, APJ, PCE	0017-00101-2101	Mounting Screw (2)

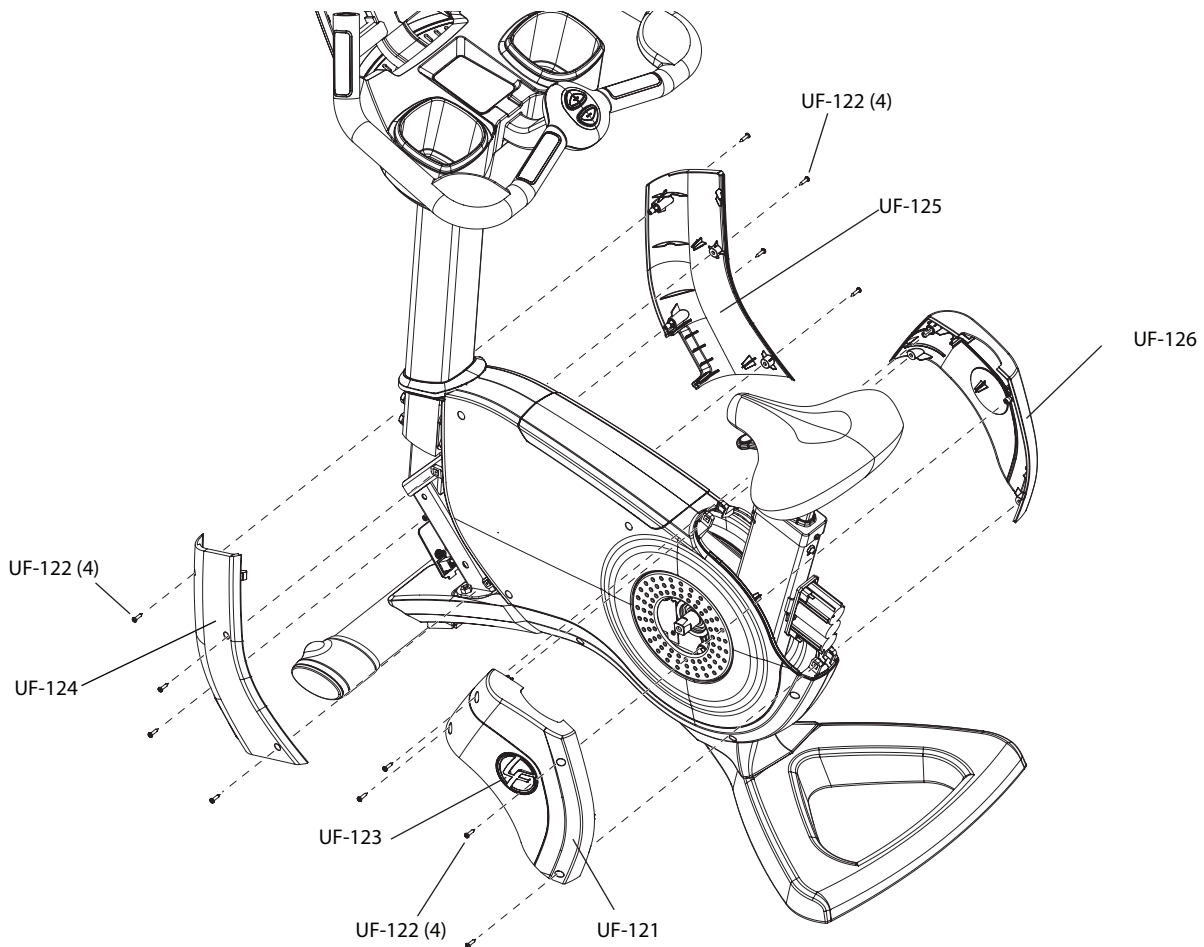
## Shrouds - Console



### Parts List

Item	Alpha Code	Part Number	Description
UF-101	CHB, CHD, APP	AK92-00059-0000	Middle Cover: Shadow Gray
	APU, APC, APP, APJ, API, APM, APT, PCE	AK92-00059-2400	Middle Cover: Charcoal Gray
UF-102	CHB, CHD, APU, APC, APP, API, APT, APM, PCE	0017-00101-1940	Mounting Screws
UF-103	CHB, CHD, APP	0K67-01040-0000	Rear Console Cover: Shadow Gray
	APU, APC, APP, API, APT, APM, APJ, PCE	0K67-01040-2400	Rear Console Cover: Charcoal Gray
UF-104	CHB, CHD, APP	AK67-00019-0000	Console Shroud, Top: Shadow Gray
	APU, APC, APP, API, APT, APM, APJ, PCE	AK67-00019-2400	Console Shroud, Top: Charcoal Gray
UF-105	CHB, CHD, APP	0K67-01055-0000	Cup Holder: Shadow Gray
	APU, APC, APP, API, APT, APM, APJ, PCE	0K67-01055-2400	Cup Holder: Charcoal Gray
UF-106	CHB, CHD, APU, APC, APP, API, APT, APM, APJ, PCE	0017-00101-1796	Mounting Screws (8)
UF-107	CHB, CHD, APP	0K67-01041-0000	Console Shroud, Bottom: Shadow Gray
	APU, APC, APP, API, APT, APM, APJ, PCE	0K67-01041-2400	Console Shroud, Bottom: Charcoal Gray

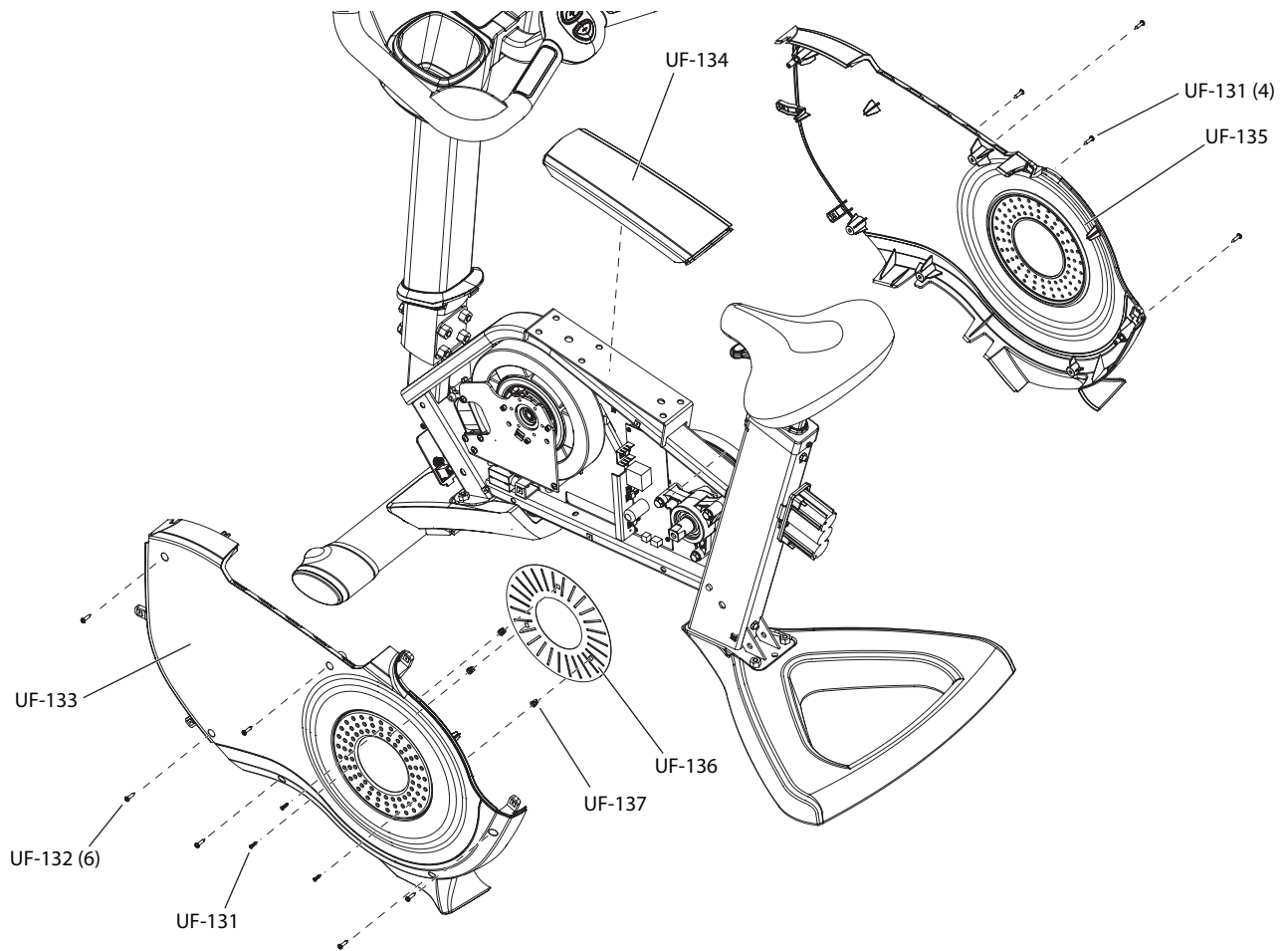
## Shrouds - Front and Seat



## Parts List

Item	Alpha Code	Part Number	Description
UF-121	CHB, CHD, APM	AK67-00051-0002	Left Seat Post Shroud LF Decal: Shadow Gray
	APU, APC, API, APT, APJ	AK67-00051-2402	Left Seat Post Shroud LF Decal: Charcoal Gray
	APP, APM, PCE	AK67-00051-2401	Left Seat Post Shroud PC Decal: Charcoal Gray
UF-122	CHB, CHD, APU, APC, APP, API, APT, APM, APJ, PCE	0017-00101-1796	Mounting Screws (12)
UF-123	CHB, CHD, APU, APC, API, APT, APJ	0K65-01209-0000	LF Bug
	APP, APM, PCE	0K65-01264-0000	PC Bug
UF-124	CHB, CHD, APP	0K67-01033-0000	Left Front Shroud: Shadow Gray
	APU, APC, APP, API, APT, APM, APJ, PCE	0K67-01033-2400	Left Front Shroud: Charcoal Gray
UF-125	CHB, CHD, APP	AK67-00049-0000	Right Front Shroud: Shadow Gray
	APU, APC, APP, API, APT, APM, APJ, PCE	AK67-00049-2400	Right Front Shroud: Charcoal Gray
UF-126	CHB, CHD, APP	AK67-00050-0002	Right Seat Post Shroud LF Decal: Shadow Gray
	APU, APC, API, APT, APJ	AK67-00050-2402	Right Seat Post Shroud LF Decal: Charcoal Gray
	APP, APM, PCE	AK67-00050-2401	Right Seat Post Shroud PC Decal: Charcoal Gray

## Shrouds (Left, Right, Step) and GBC Shield



### Parts List

Item	Alpha Code	Part Number	Description
UF-131	CHB, CHD, APU, APC, APP, API, APT, APM, APJ, PCE	0017-00101-2103	Screws (3)
UF-132	CHB, CHD, APU, APC, APP, API, APT, APM, APJ, PCE	0017-00101-1796	Mounting Screws (10)
UF-133	CHB, CHD, APP	AK67-00033-0008	Left Main Shroud LF Decal & Vents: Shadow Gray
	APU, APC, APP, API, APT, APM, APJ, PCE	AK67-00033-2408	Left Main Shroud LF Decal & Vents: Charcoal Gray
UF-134	CHB, CHD, APP	0K67-01038-0000	Step Shroud: Shadow Gray
	APU, APC, APP, API, APT, APM, APJ, PCE	0K67-01038-0700	Step Shroud: Charcoal Gray
UF-135	CHB, CHD, APP	AK67-00032-0008	Right Main Shroud LF Decal & Vents: Shadow Gray
	APU, APC, APP, API, APT, APM, APJ, PCE	AK67-00032-2408	Right Main Shroud LF Decal & Vents: Charcoal Gray
UF-136	CHB, CHD, APU, APC, APP, API, APT, APM, APJ, PCE	0K66-01267-0000	GBC Shield
UF-137	CHB, CHD, APU, APC, APP, API, APT, APM, APJ, PCE	0017-00042-1134	Grommet (3)





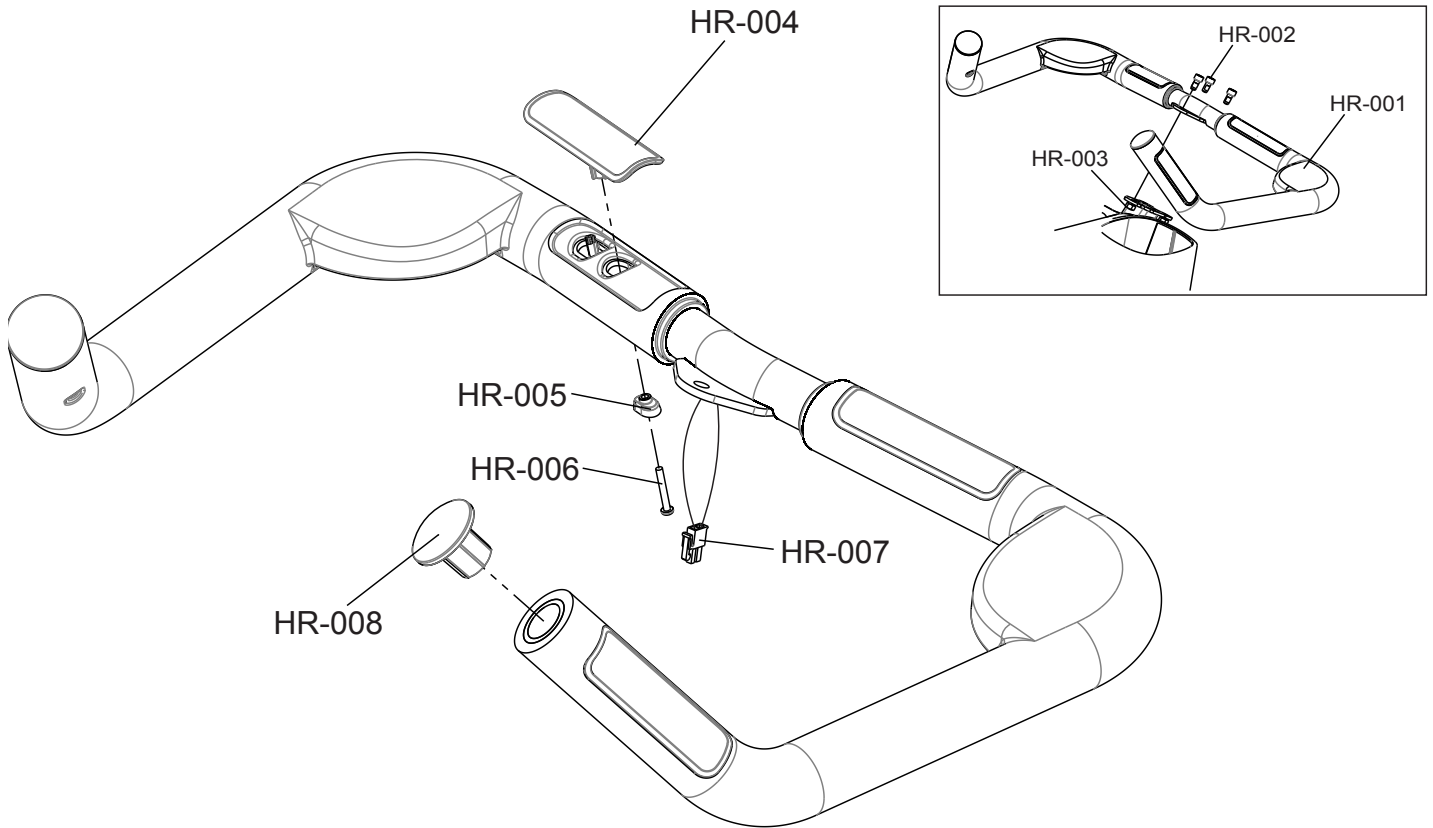
## Seat and Seat Post Components

### Parts List

Item	Alpha Code	Part Number	Description
UF-030	CHB, CHD, APU, APC, APP, API, APT, APM, APJ, PCE	0K67-01111-0000	Up/Down Handle
UF-032	CHB, CHD, APU, APC, APP, API, APT, APM, APJ, PCE	0K67-01112-0000	Handle Pivot Pin
UF-033	CHB, CHD, APU, APC, APP, API, APT, APM, APJ, PCE	0017-00100-0250	E-Rings (3)
UF-034	CHB, APP	0K67-01008-0000	Up/Down Rod
	API, APM, APP, APT, PCE	0K67-01153-0000	Linkage Rod
	APC, APJ, APU	0K67-01153-0001	Linkage Rod XXL
	CHD	0K67-01008-0003	Up/Down Rod XXL
UF-035	CHB, CHD, APU, APC, APP, API, APT, APM, APJ, PCE	0K67-01014-0000	Rod Pins
UF-036	CHB, CHD, APU, APC, APP, API, APT, APM, APJ, PCE	0017-00009-1285	Wave Spring
UF-037	CHB, CHD, APU, APC, APP, API, APT, APM, APJ, PCE	0017-00104-0468	Washer
UF-038	CHD, APU, APC, APJ	0K67-01089-0000	Seat Post Decal
	API	0K67-01104-0000	Seat Post Decal IFI
	APM, APP, CHB, APT, PCE	0K67-01087-0000	Seat Post Decal
UF-039	CHB, CHD, APU, APC, APP, API, APT, APM, APJ, PCE	0K67-01060-0000	Seat Post Base Guide
UF-040	CHB, CHD, APU, APC, APP, API, APT, APM, APJ, PCE	0017-00101-1747	Mounting Screw
UF-041	CHB, CHD, APU, APC, APP, API, APT, APM, APJ, PCE	0017-00042-1131	Bumper
UF-042	CHB, CHD, APP	AK63-00229-0003	Seat: Shadow Gray
	APU, APC, APP, API, APT, APM, APJ, PCE	AK63-00229-0001	Seat: Black
UF-043	CHB, CHD, APU, APC, APP, API, APT, APM, APJ, PCE	0017-00104-0064	Washer (3)
UF-044	CHB, CHD, APU, APC, APP, API, APT, APM, APJ, PCE	0017-00101-1121	Mounting Screw (3)
UF-045	CHB, CHD, APP	0K67-01067-0000	Seat Post Shroud: Shadow Gray
	APU, APC, APP, API, APT, APM, APJ, PCE	0K67-01147-2400	Seat Post Shroud: Charcoal Gray
UF-046	CHB, CHD, APU, APC, APP, API, APT, APM, APJ, PCE	0017-00101-1776	Mounting Screw (2)
UF-047	CHB, CHD, APU, APC, APP, API, APT, APM, APJ	0K67-01146-0000	Seat Post Guide Cap
UF-048	CHB, CHD, APP	AK67-00003-0001	Seat Post Weldment: Arctic Silver
	CHD	AK67-00003-0002	Seat Post Weldment XXL: Arctic Silver
	APP, API, APT, APM, PCE	AK67-00130-0002	Seat Post Weldment: Black
	APC, APJ, APU	AK67-00130-0003	Seat Post Weldment XXL: Black
UF-049	CHB, CHD, APU, APC, APP, API, APT, APM, APJ, PCE	0K67-01009-0001	Up/Down Latch
UF-050	CHB, CHD, APU, APC, APP, API, APT, APM, APJ, PCE	0K67-01010-0000	Up/Down Spring
UF-051	CHB, CHD, APU, APC, APP, API, APT, APM, APJ, PCE	0K67-01017-0000	Latch Pivot Pin
UF-052	CHB, CHD, APU, APC, APP, API, APT, APM, APJ, PCE	0017-00100-0253	Retaining Ring
UF-054	CHB, CHD, APU, APC, APP, API, APT, APM, APJ, PCE	0017-00101-2011	Screw (2)
UF-057	CHB, CHD, APU, APC, APP, API, APT, APM, APJ, PCE	0017-00104-0411	Mounting Washers (2)
UF-058	CHB, CHD, APU, APC, APP, API, APT, APM, APJ, PCE	0K67-01013-0000	Seat Post Rack
UF-059	CHB, CHD, APU, APC, APP, API, APT, APM, APJ, PCE	0017-00101-1866	Screw Seat Rack (2)
UF-060	CHB, CHD, APU, APC, APP, API, APT, APM, APJ, PCE	0017-00103-0388	Nut Seat Rack (2)

# Heart Rate System

## Handlebar and Components



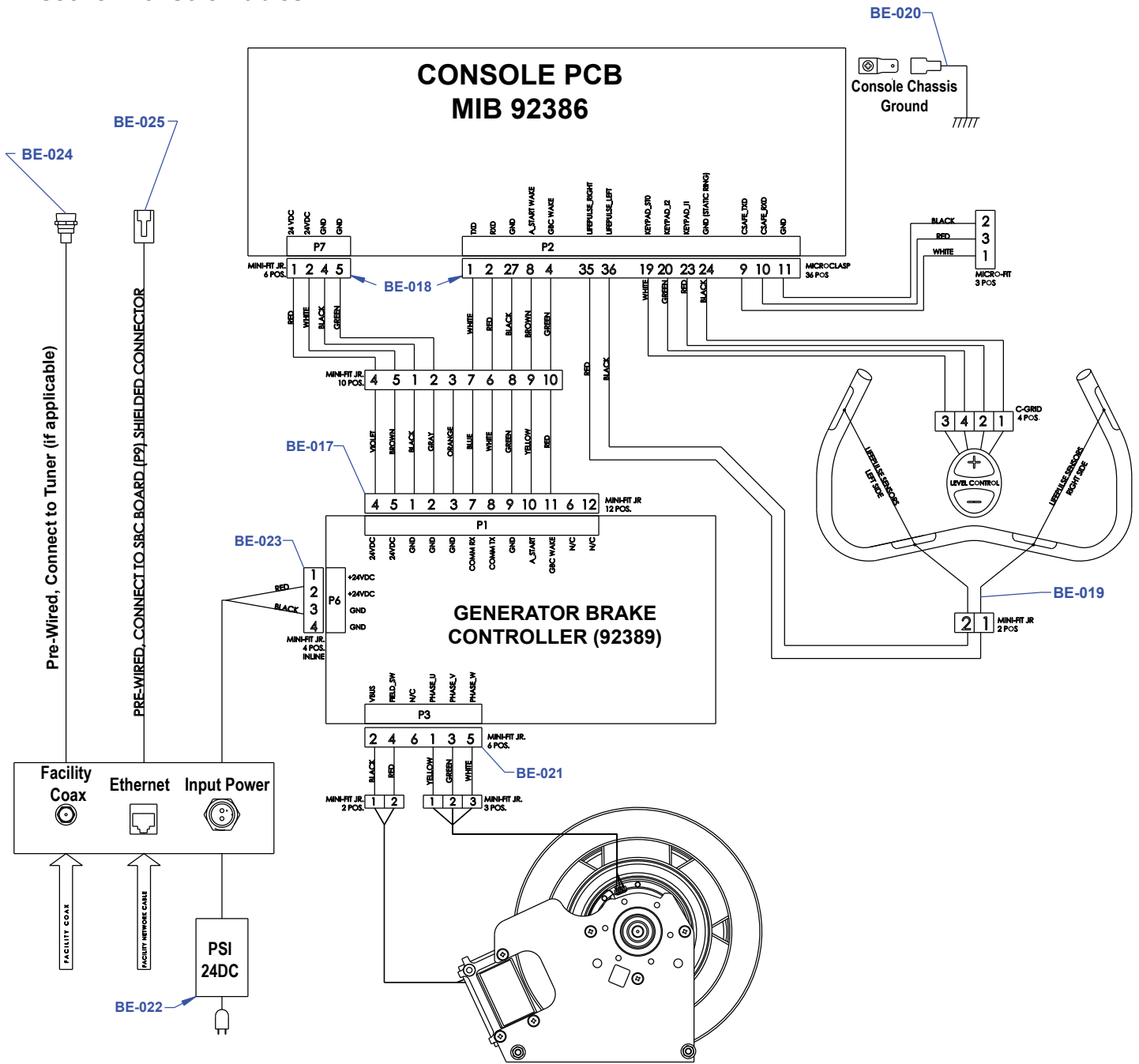
### Parts List

Item	Alpha Code	Part Number	Description
HR-001	CHB, CHD, APP	AK67-00006-0000	Handlebar Assembly: Shadow Gray
	APU, APC, APP, API, APT, APM, APJ, PCE	AK67-00006-0700	Handlebar Assembly: Black
HR-002	CHB, CHD, APU, APC, APP, API, APT, APM, APJ, PCE	0017-00101-1920	Handlebar Mounting Screw (3)
HR-003	CHB, CHD, APU, APC, APP, API, APT, APM, APJ, PCE	0017-00103-0341	Hex Nut (3)
HR-004	CHB, CHD, APP	AK63-00014-0004	Heart Rate Electrode: Shadow Gray
	APU, APC, APP, API, APT, APM, APJ, PCE	AK63-00014-2404	Heart Rate Electrode: Charcoal Gray
HR-005	CHB, CHD, APP	0K66-01141-0000	Insulator Plug: Shadow Gray
	APU, APC, APP, API, APT, APM, APJ, PCE	0K66-01141-0001	Insulator Plug: Black
HR-006	CHB, CHD, APU, APC, APP, API, APT, APM, APJ, PCE	0017-00101-1720	Mounting Screw
HR-007	CHB, CHD, APU, APC, APP, API, APT, APM, APJ, PCE	AK63-00028-0001	Heart Rate Cable
HR-008	CHB, CHD, APU, APC, APP, API, APT, APM, APJ, PCE	0K63-01114-0000	End Cap

# Discover Console Cables

95C-ALLXX-06 CHD 97C-ALLXX-06 APU 95CS-ALLXX-XX07  
 APC 97CS-ALLXX-XX07, APP PCSCS-ALLXX-XX07

## Discover Console Cables



Refer to following page for Parts List

## Discover Console Cables

95C-ALLXX-06 CHD 97C-ALLXX-06 APU 95CS-ALLXX-XX07  
 APC 97CS-ALLXX-XX07, APP PCSCS-ALLXX-XX07

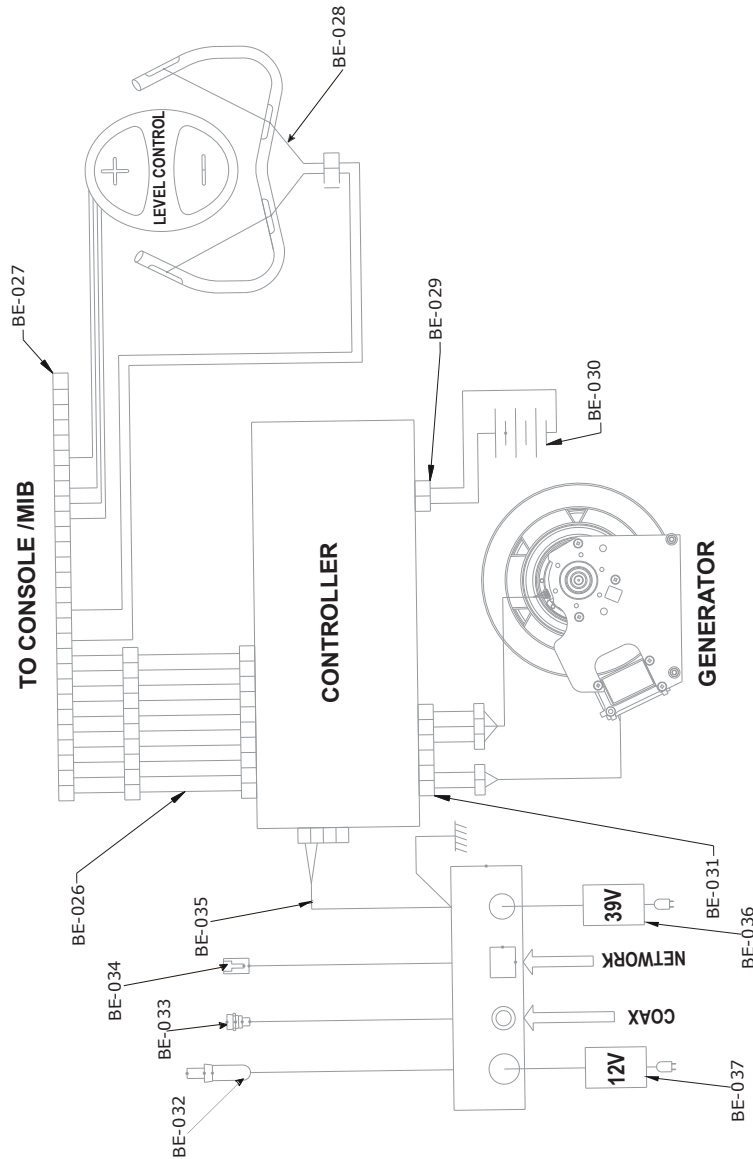
### Parts List

Item	Alpha Code	Part Number	Description
BE-017	CHB, CHD, APU, APC, APP	AK92-00064-0000	PCB to Console Cable
BE-018	CHB, CHD, APU, APC, APP	AK92-00045-0001	Console / Handlebar Cable
BE-019	CHB, CHD, APU, APC, APP, API, APT, APM, APJ, PCE	AK63-00028-0001	Lifepulse Cable Assembly
BE-020	CHB, CHD, APU, APC, APP, API, APJ, APM, APT, PCE	AK26-00348-0001	Ground Wire
BE-021	CHB, CHD, APU, APC, APP, API, APJ, APM	AK66-00107-0000	Gen Brake Cable
* BE-022	CHB, CHD, APU, APC, APP	0017-00003-1071	24V Power Brick / Cable
BE-023	CHB, CHD, APU, APC, APP, PCE	AK92-00065-0000	External Power Cable
BE-024	CHB, CHD, APU, APC, APP, API, APJ, APM, APT	AK65-00062-0000	Coax Assembly:RG6 Cable
BE-025	CHB, CHD, APP, API, APJ, APM, APT	AK70-00092-0000	Ethernet Cable
	APC, APP, APU, PCE	AK70-00092-0004	Ethernet Cable

*Line Cords Sold Separately. See page 2.*

## Achieve Console Cables

API 95CS-IFIXX-0115, APM PCSCS-ALLXX-0115, APT 95CS-ALLXX-0115, APJ 97CS-XXXX-0115



### Parts List

Item	Alpha Code	Part Number	Description
BE-026	API, APT, APM, APJ	AK67-00106-0000	PCB to Console Cable
	API, APT, APM, APJ	AK67-00106-0001	Console Cable Assembly XXL
BE-027	API, APT, APM, APJ	AK67-00105-0000	Console/Handlebar Cable
BE-028	API, APT, APM, APJ	AK63-00028-0001	Lifepulse Cable Assembly
BE-029	API, APT, APM, APJ	AK67-00109-0000	Battery Cable
BE-030	API, APT, APM, APJ	0017-00003-0685	6V Battery
BE-031	API, APT, APM, APJ	AK66-00107-0000	Gen Brake Cable
BE-032	API, APT, APM, APJ	AK32-00160-0000	TV Power Cable
BE-033	API, APT, APM, APJ	AK65-00062-0000	Coax Assembly: RG6 Cable
BE-034	API, APT, APM, APJ	AK70-00092-0000	CAT-5 Ethernet Cable
BE-035	API, APT, APM, APJ	AK67-00108-0000	Exrternal Power w/Ground
*BE-036	API, APT, APM, APJ	0017-00003-1051	39 V Power Supply
* BE-037	API, APT, APM, APJ	0K71-01033-0000	12 V 6.25 Amp Supply

Line Cords Sold Separately. See page 2.