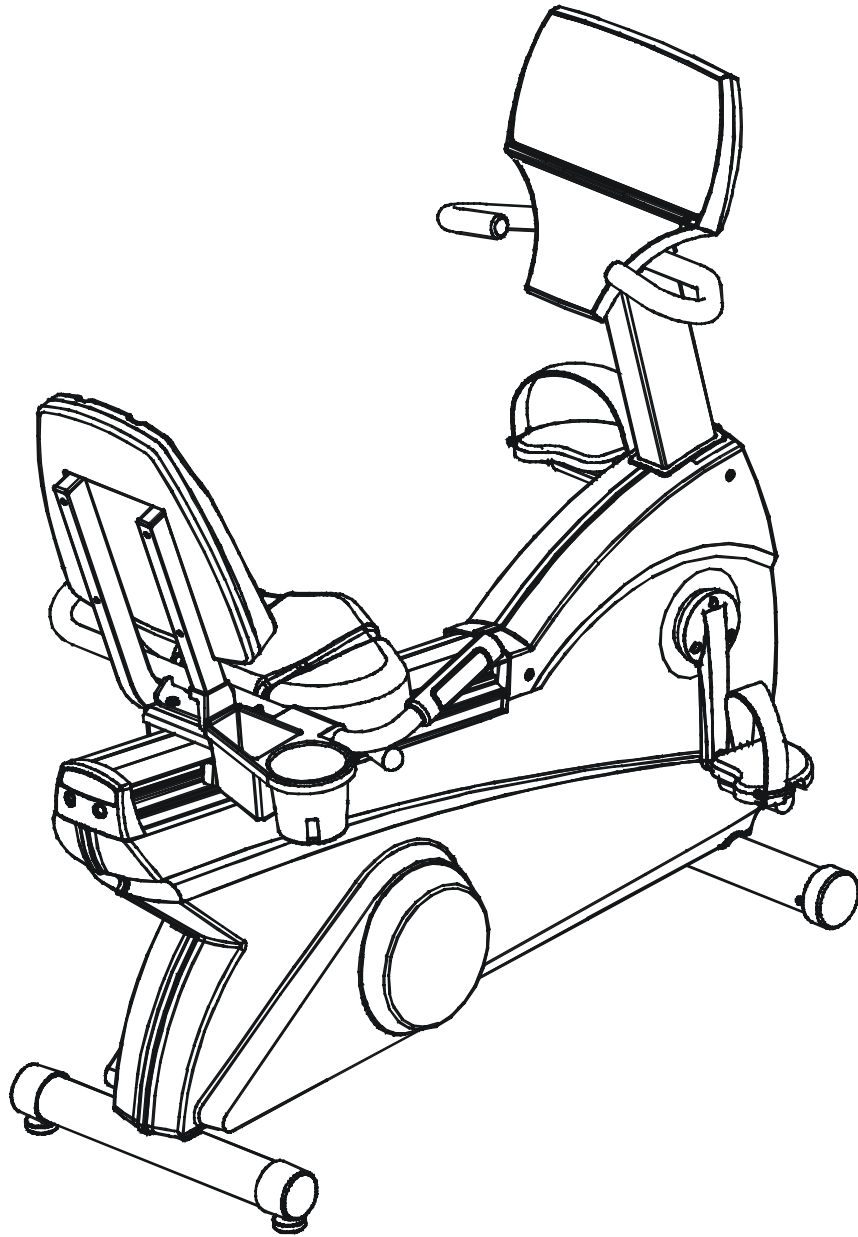


# *LifeFitness*

Arctic Silver 95Ri Recumbent Bike

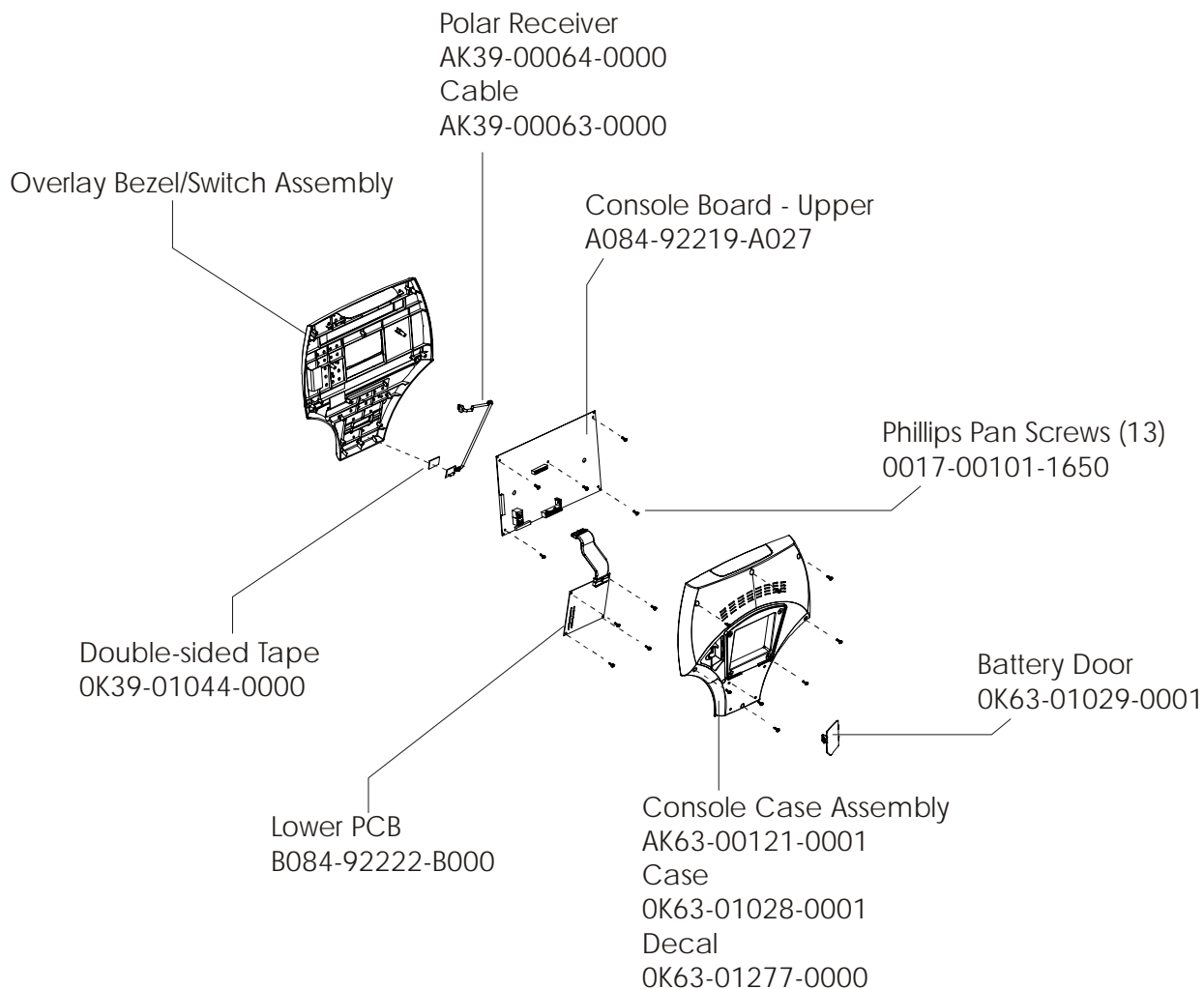


**Customer Support Services**  
***PARTS MANUAL*** rev 01 May 2008

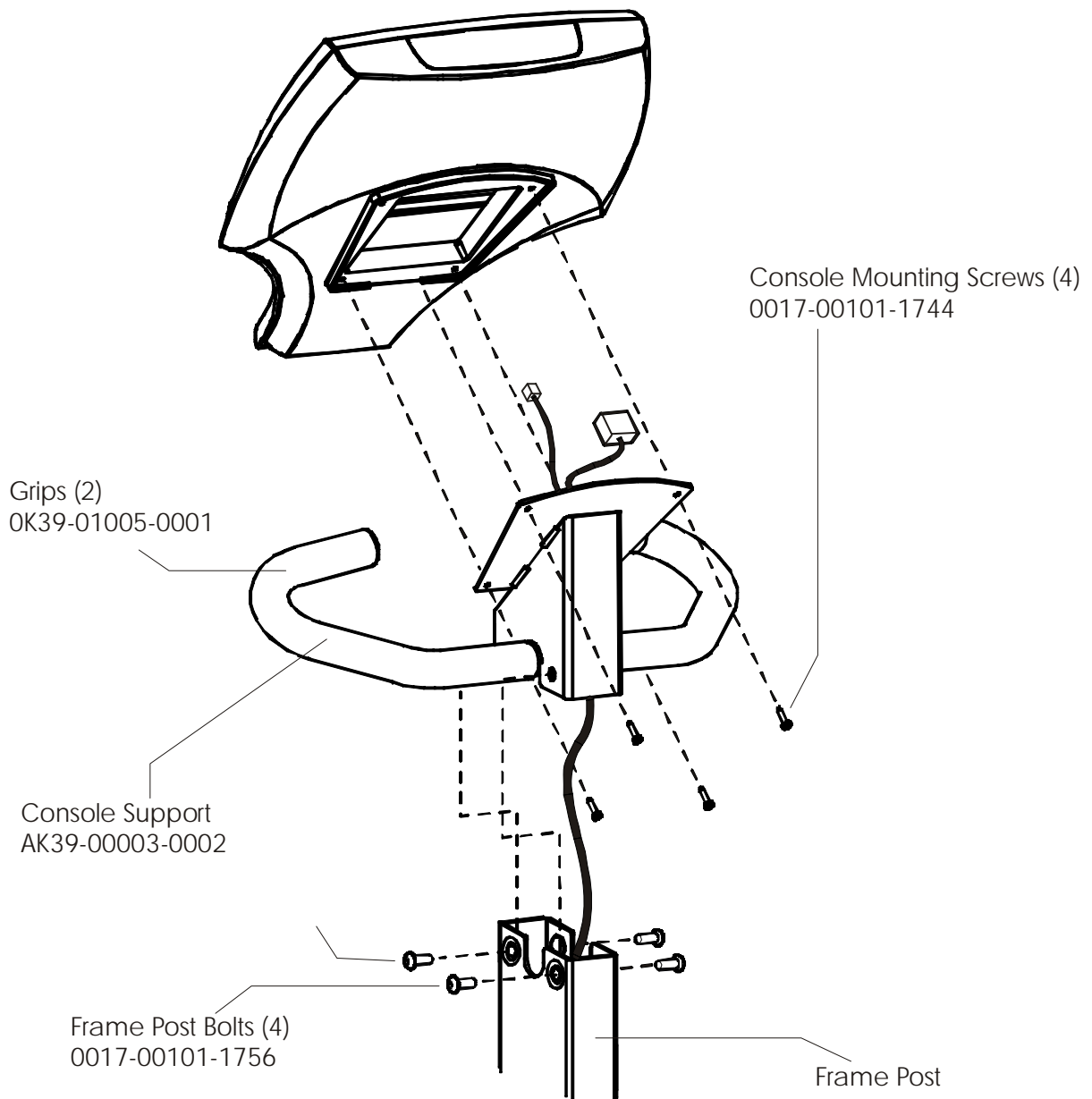
---

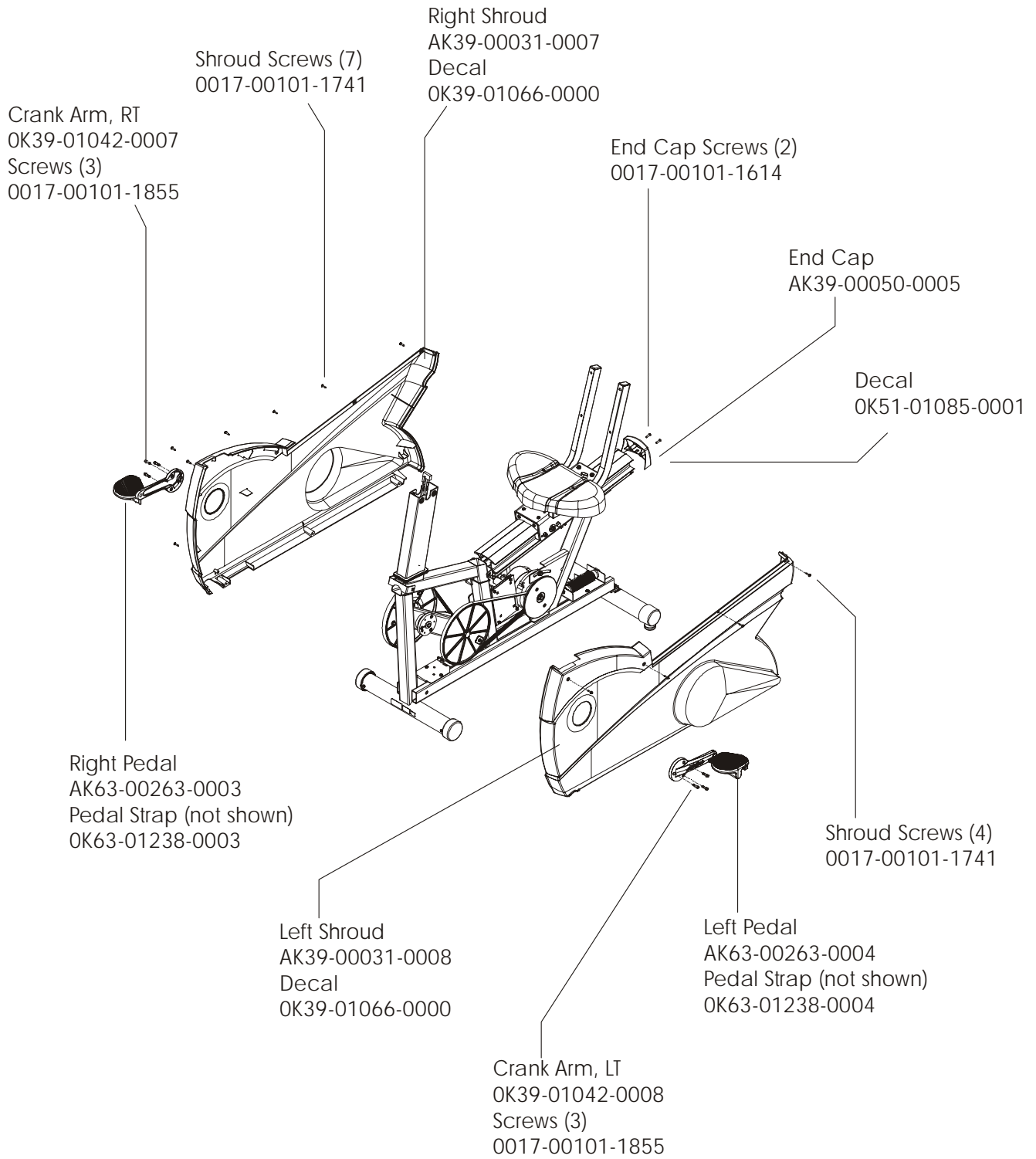
|  |    |
|--|----|
| Miscellaneous .....                            | 3  |
| Console Components.....                        | 4  |
| Console Support Assembly .....                 | 5  |
| Shrouds, End Cap, Crank Arms, and Pedals ..... | 6  |
| Belts and 6V Battery .....                     | 7  |
| Resistor Assembly .....                        | 8  |
| Power Control Board.....                       | 9  |
| Alternator w/Pulley .....                      | 10 |
| Crankshaft and Bearing Assembly .....          | 11 |
| Intermediate Shaft and Bearing Assembly .....  | 12 |
| Idler Bracket Assembly .....                   | 13 |
| Seat Assembly .....                            | 14 |
| Seat Bottom Assembly .....                     | 15 |
| Seat Frame Assembly .....                      | 16 |
| Seat Pads and Accessory Tray .....             | 17 |
| Extrusion Assembly.....                        | 18 |
| Seat Locking Assembly .....                    | 19 |
| Wheel and Leveler .....                        | 20 |
| Cables .....                                   | 21 |

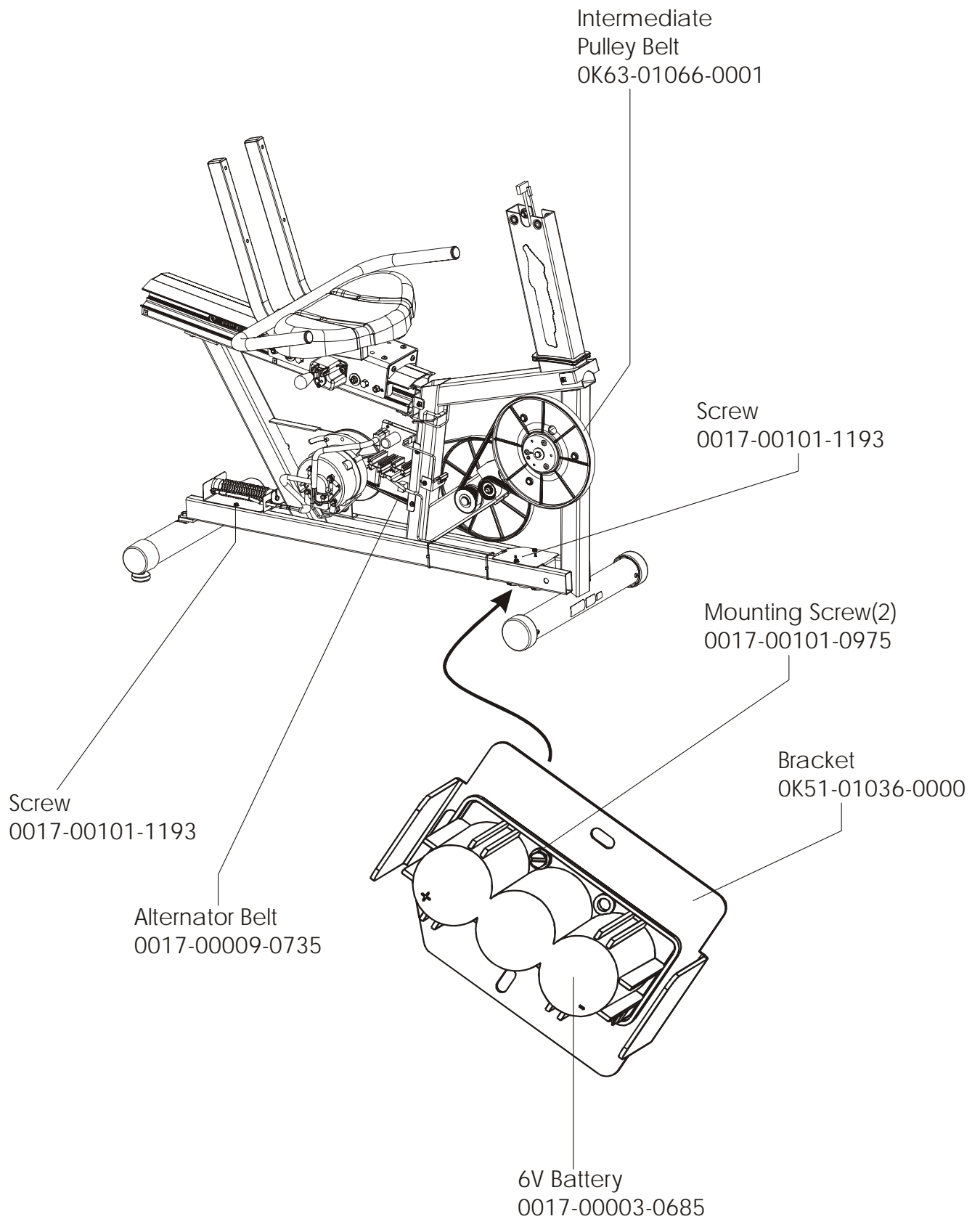
| Description   | Part No.  |
|---|---|
| OPERATION MANUAL  | M051-00K39-A119                                       |
| POWER OPTION KIT 120V   | GK39-00002-0002                                       |
| POWER OPTION KIT 240/50V UK   | GK39-00002-0004                                       |
| POWER OPTION KIT 240V+AUS   | GK39-00002-0005                                       |
| POWER OPTION KIT 230/50V CON  | GK39-00002-0006                                       |
| HARDWARE BAG  | GK39-00002-0008                                       |
| TOUCH UP PAINT:<br>SPRAY CAN<br>.5 OZ BOTTLE W/APPLICATOR<br>.33 OZ PEN | 0017-00008-0204<br>0017-00008-0205<br>0017-00008-0206 |
| SERVICE MANUAL  | M051-00K39-A012                                       |



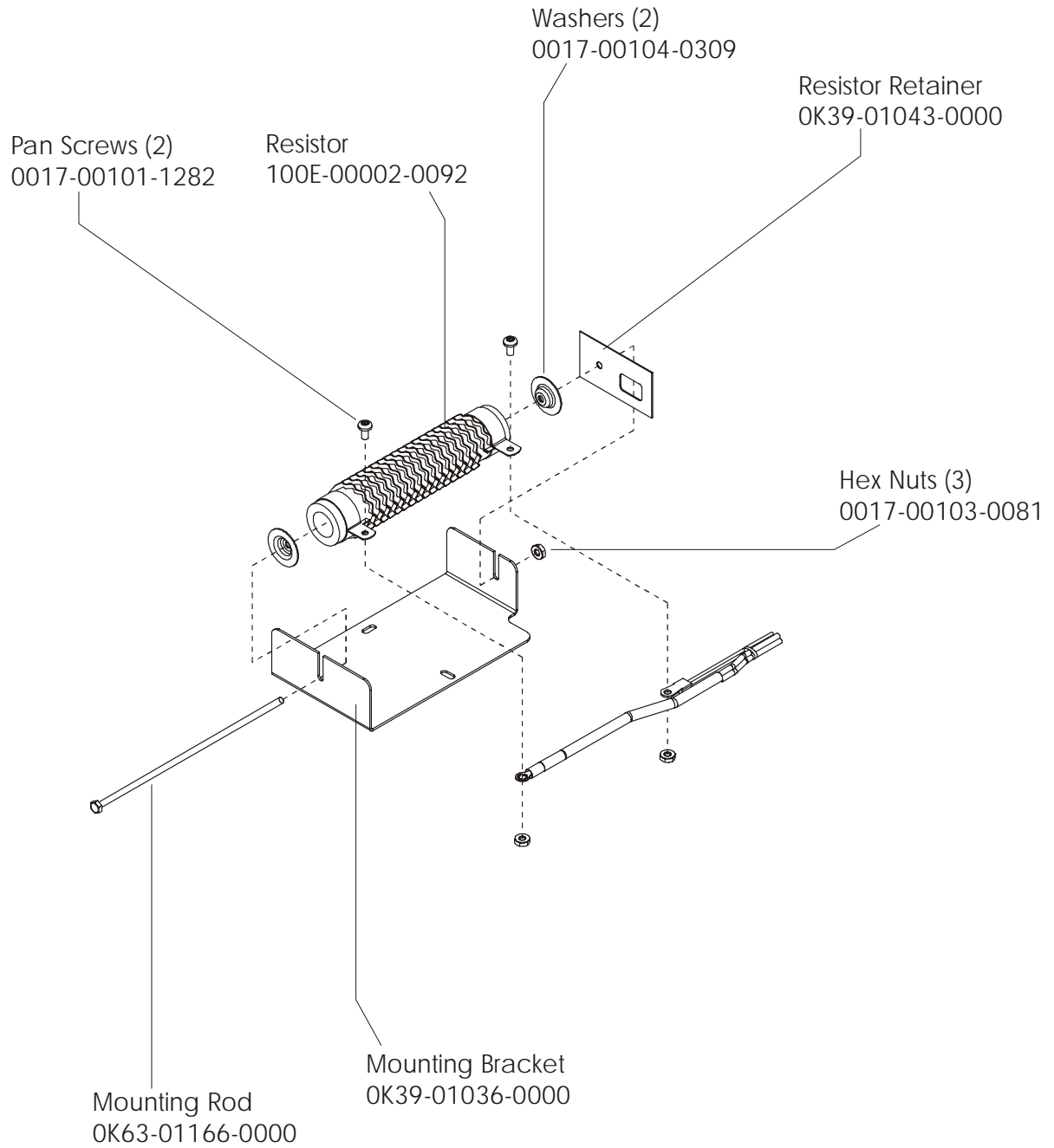
| Language | Part No.         |                               |
|----------|------------------|-------------------------------|
|          | Console Assembly | Overlay/Bezel/Switch Assembly |
| Eng      | AK39-00133-0001  | AK63-00165-0001               |
| Eng Met  | AK39-00133-0002  | AK63-00165-0001               |
| Ger Met  | AK39-00133-0003  | AK63-00165-0003               |
| Spn Met  | AK39-00133-0004  | AK63-00165-0004               |
| Jap Met  | AK39-00133-0006  | AK63-00165-0006               |
| Frn Met  | AK39-00133-0007  | AK63-00165-0007               |
| Itl Met  | AK39-00133-0008  | AK63-00165-0008               |
| Dut Met  | AK39-00133-0009  | AK63-00165-0009               |
| Por Met  | AK39-00133-0010  | AK63-00165-0010               |
| Tur Met  | AK39-00070-0014  | AK63-00165-0014               |





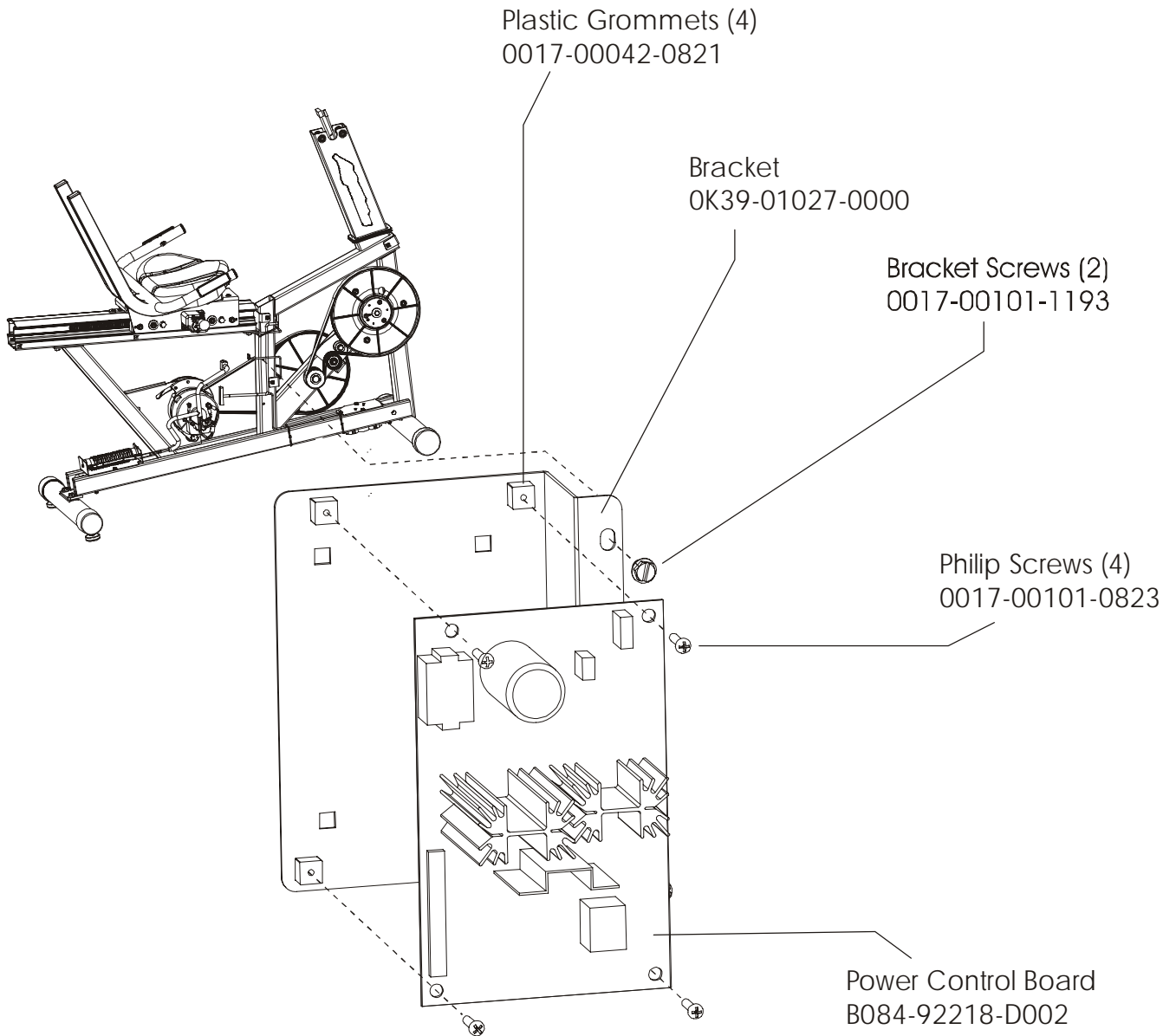


Resistor Assembly  
AK39-00020-0001





Power Control Board Assembly  
AK39-00022-0001



Alternator w/Pulley Assembly  
AK63-00093-0000

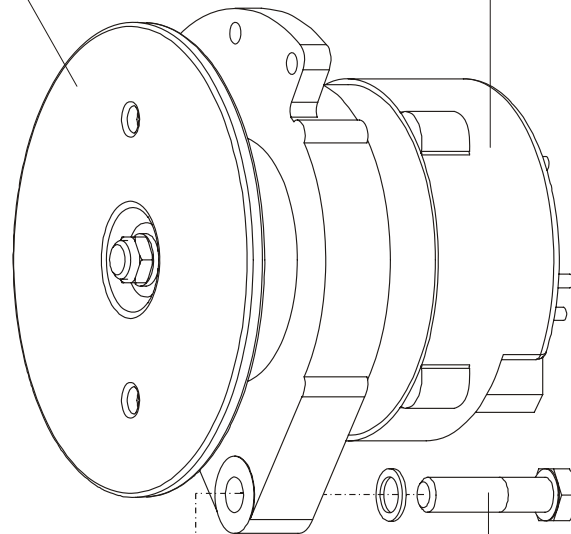
Alternator Pulley  
OK61-02500-0001

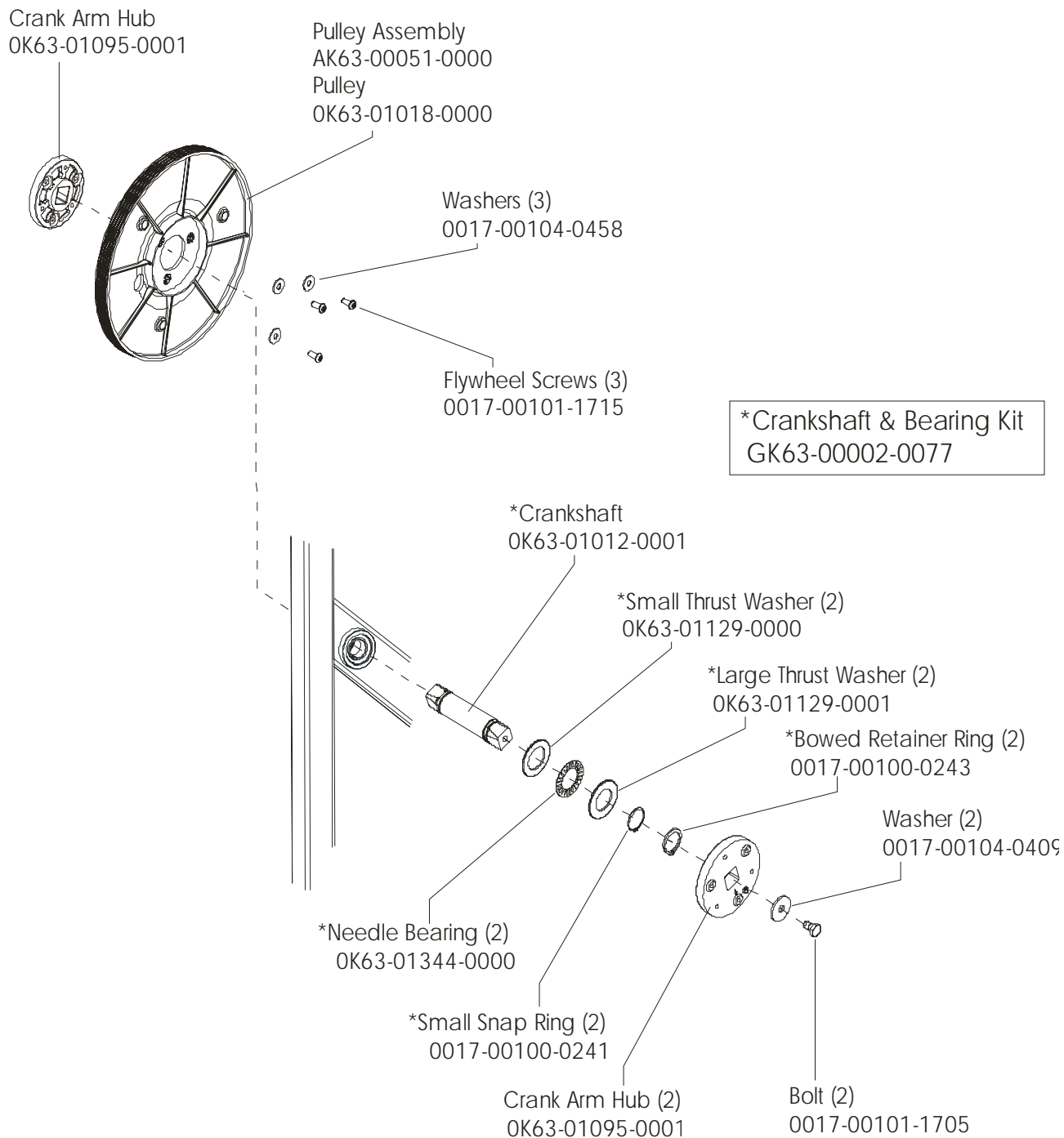
Alternator  
0017-00009-0841

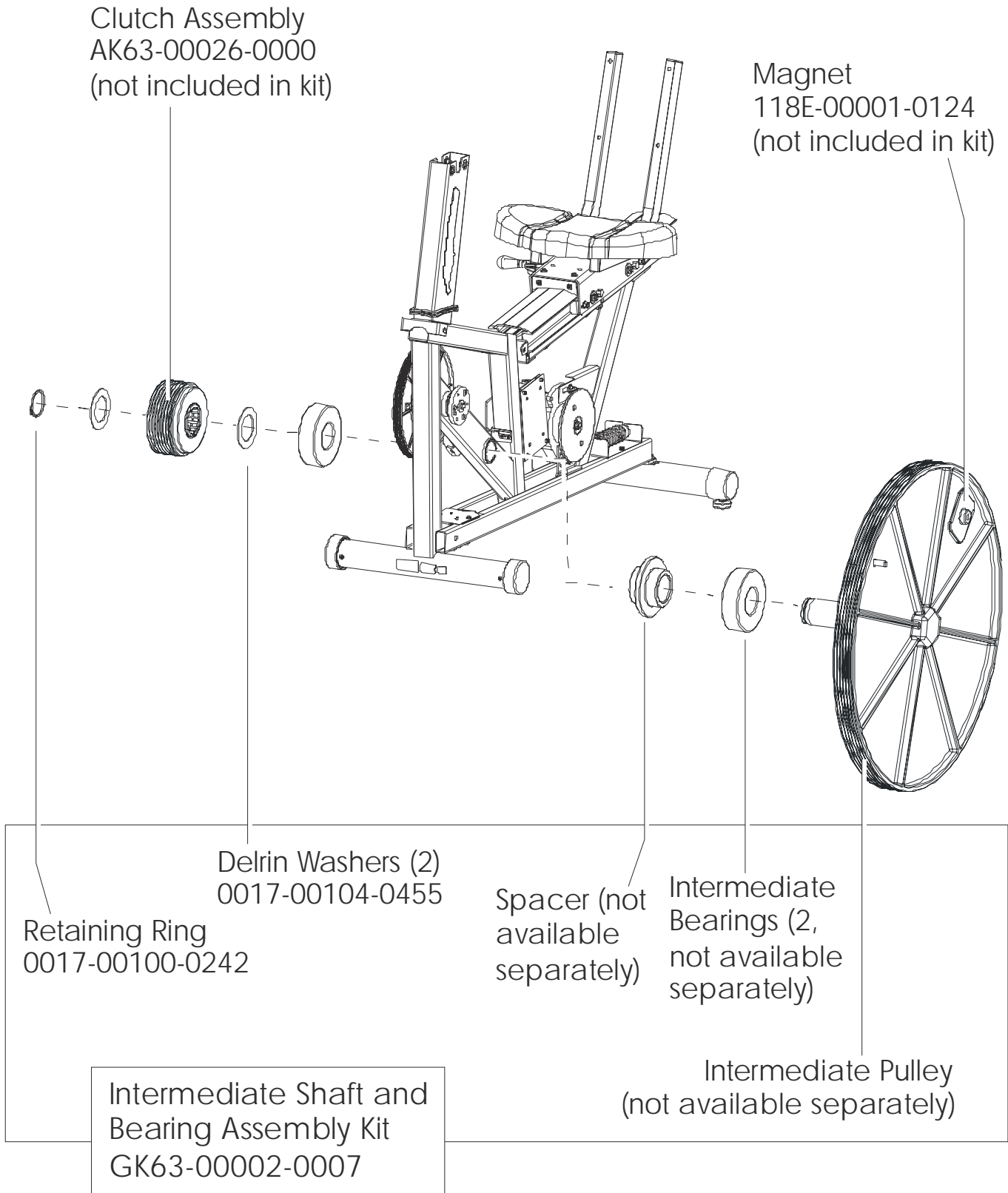
Locking Nut  
0017-00103-0117

Washer  
0017-00104-0044

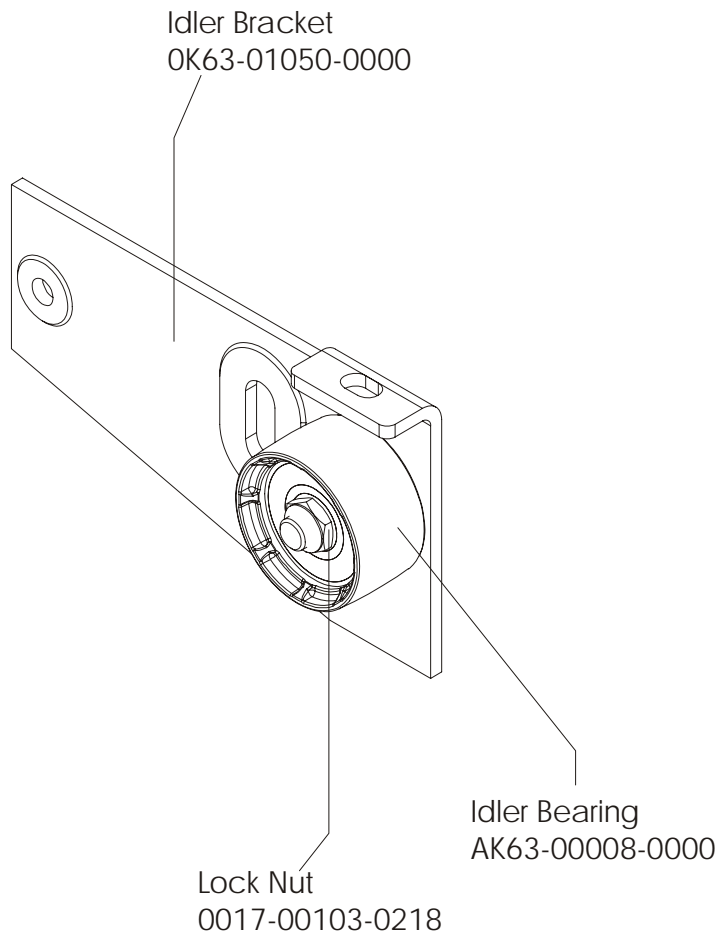
Bolt  
0017-00101-0956

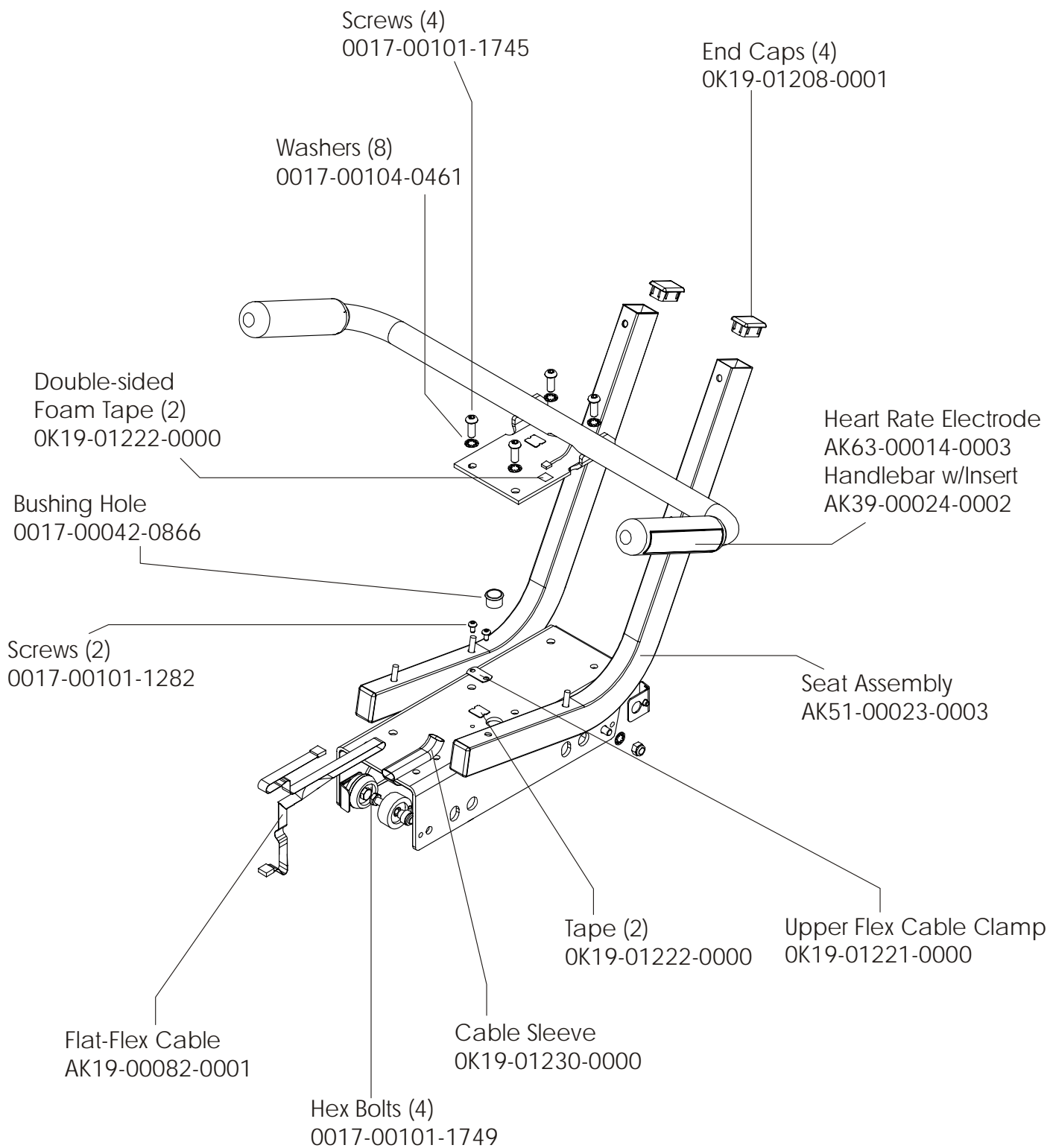


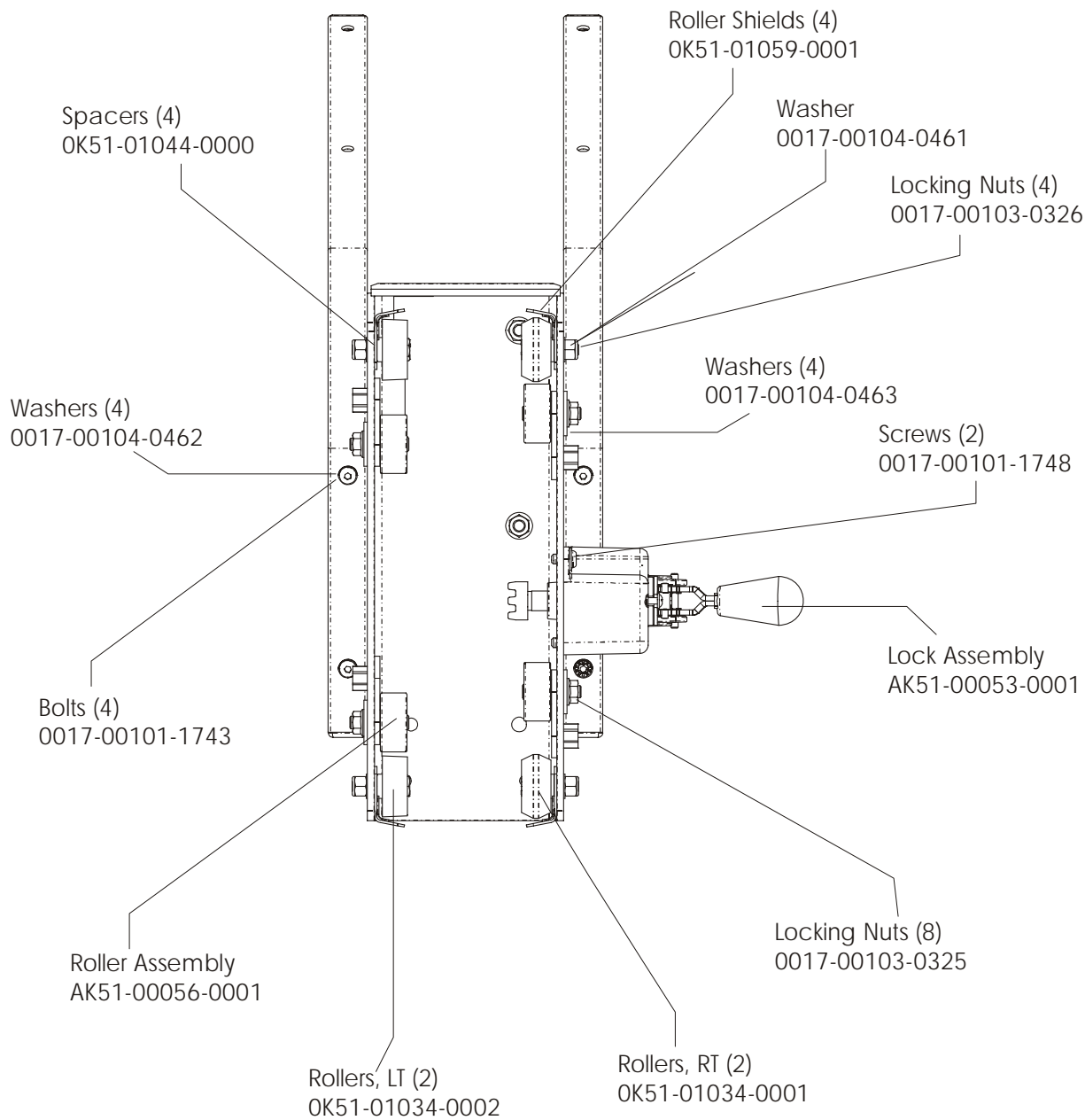


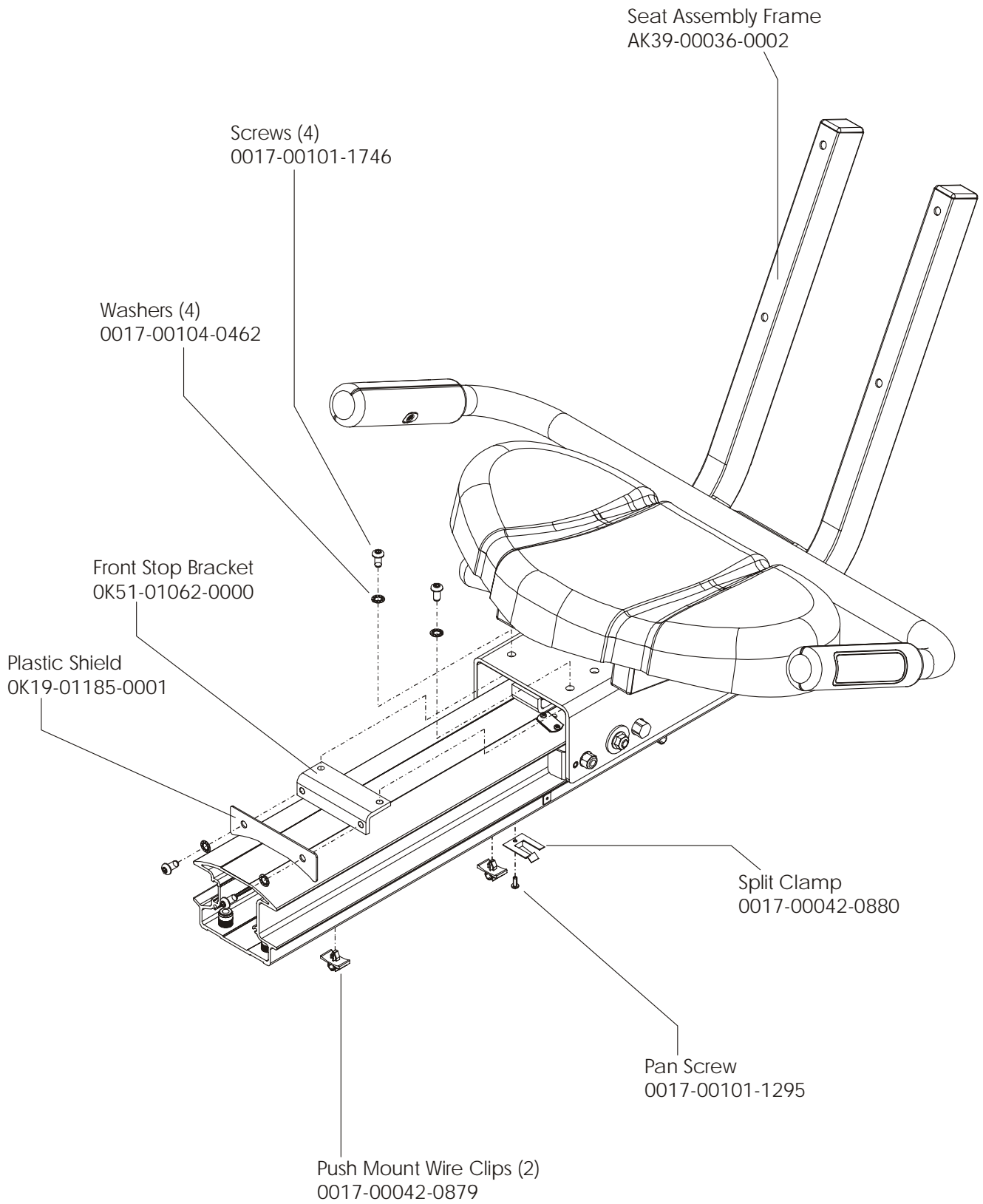


Idler Bracket Assembly  
AK63-00021-0000

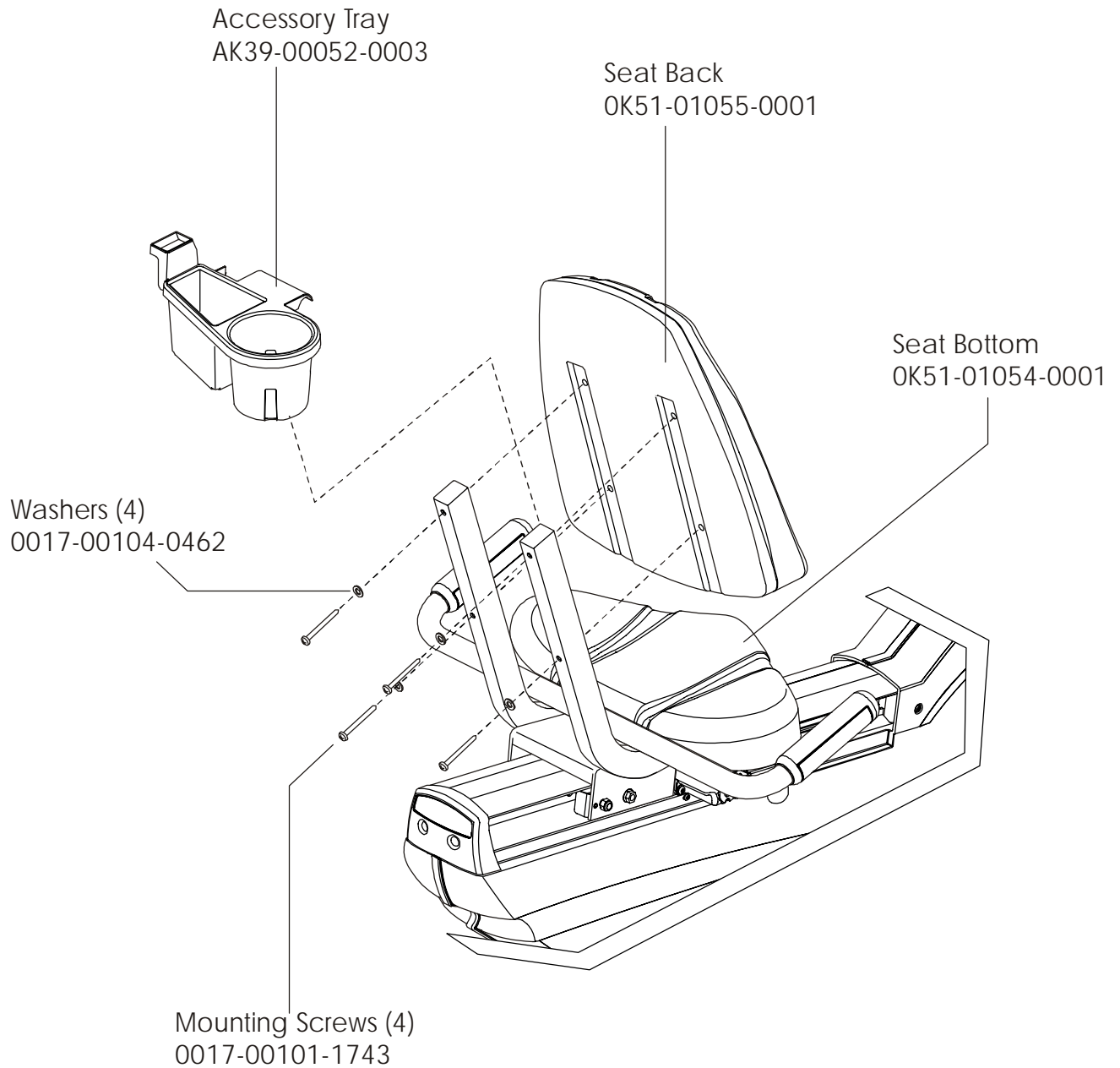


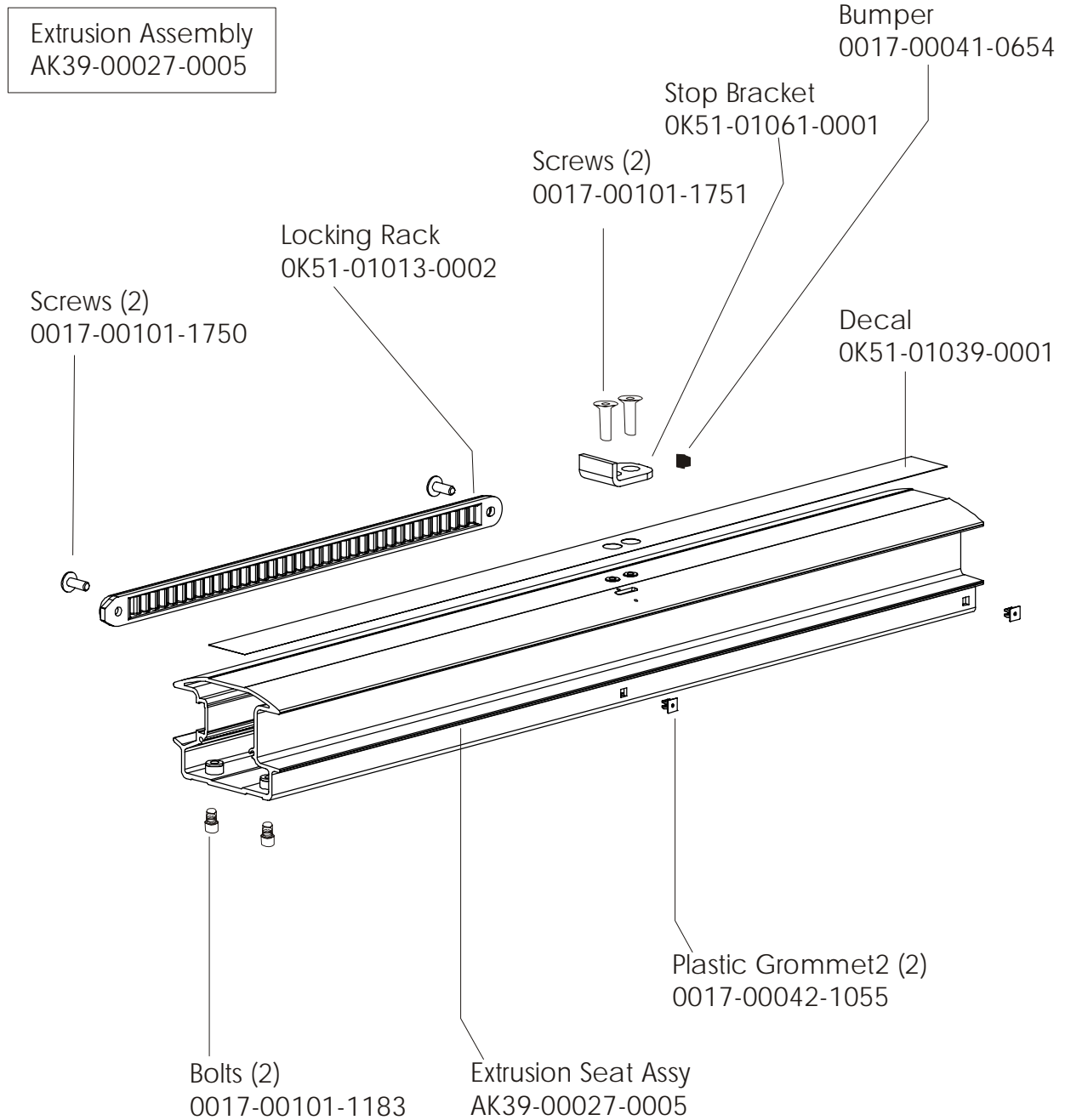












Locking Assembly  
AK51-00053-0001

