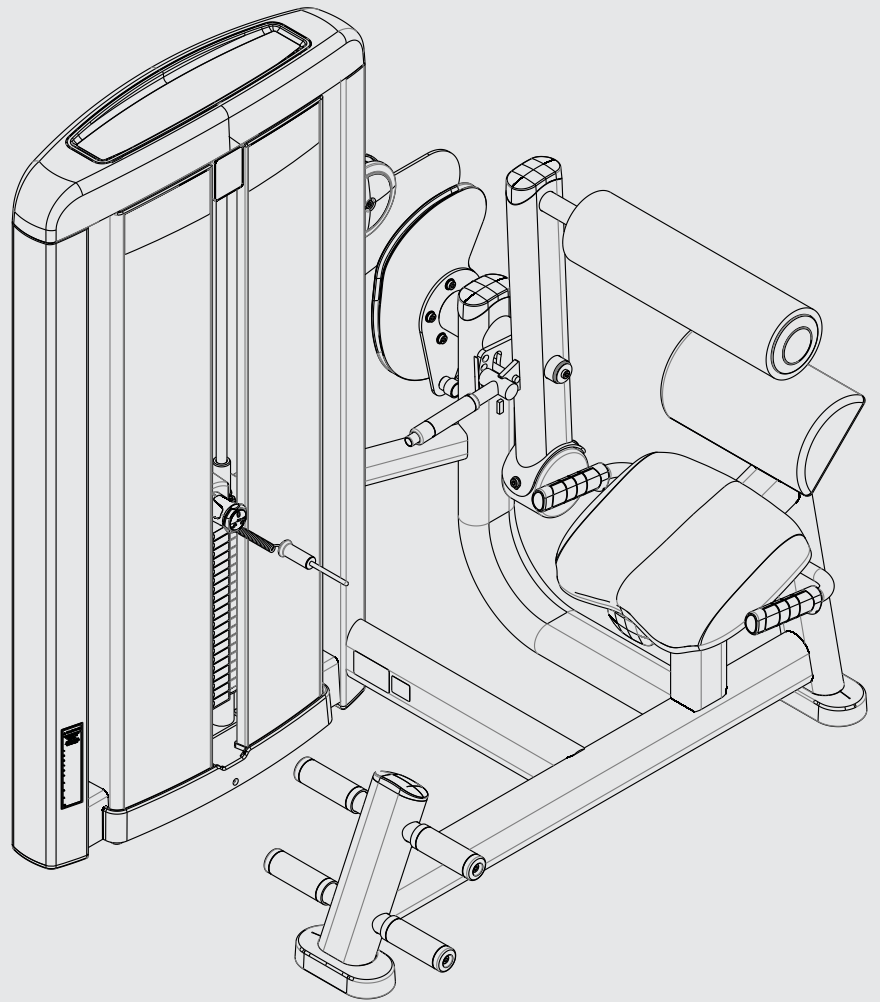


INSIGNIA SERIES
BACK EXTENSION
SS-BE
PARTS MANUAL



Insignia Series Back Extension

Contents

Options and Key	3
Powder Coat Painted Frame Weldments	4
Component Assembly	5
Table	6
Tower Plastics	7
Shroud Wraps	8
Weight Stack Assemblies	9
T Trim Head Plate and Drop Down Increment Weights	10
C and X Trim Stack Components	11
C and X Trim Head Plate Assemblies	12
C and X Trim Incremental Weights	13
Grip Assemblies	14
Sensor Assemblies	15

Insignia Series Back Extension

Options and Key

KEY

LANGUAGE ① ② ③

Items with Black call-outs require the last two digits (XX) to be replaced with language codes listed above. IE: 12345XX should be 1234501 for English.

UPHOLSTERY ① ② ③

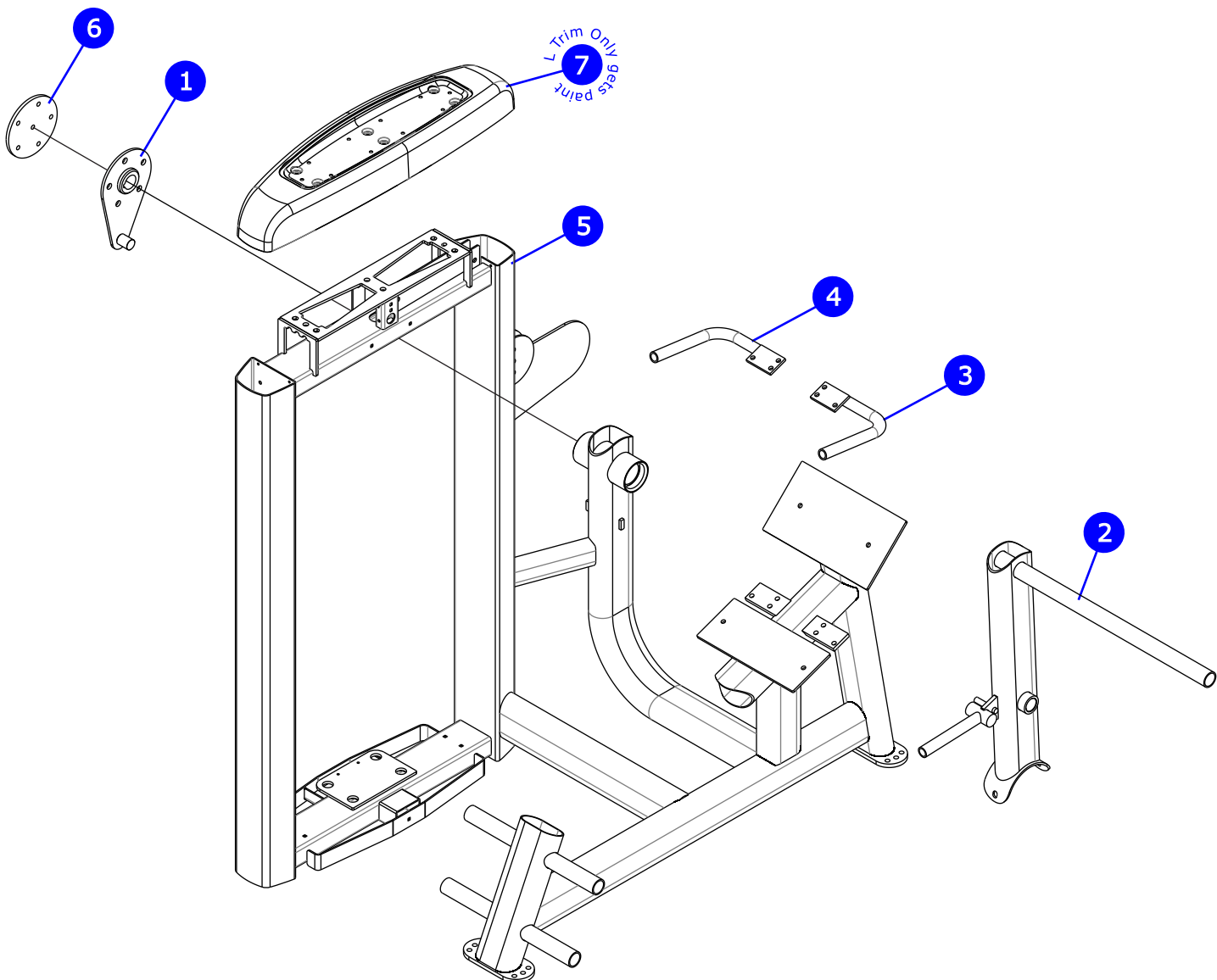
Items with Gray call-outs require the upholstery color within the order notes. IE: Putty.

FRAME COLOR ① ② ③

Items with Blue call-outs require the powder coat frame color to be within the order notes.

Insignia Series Back Extension

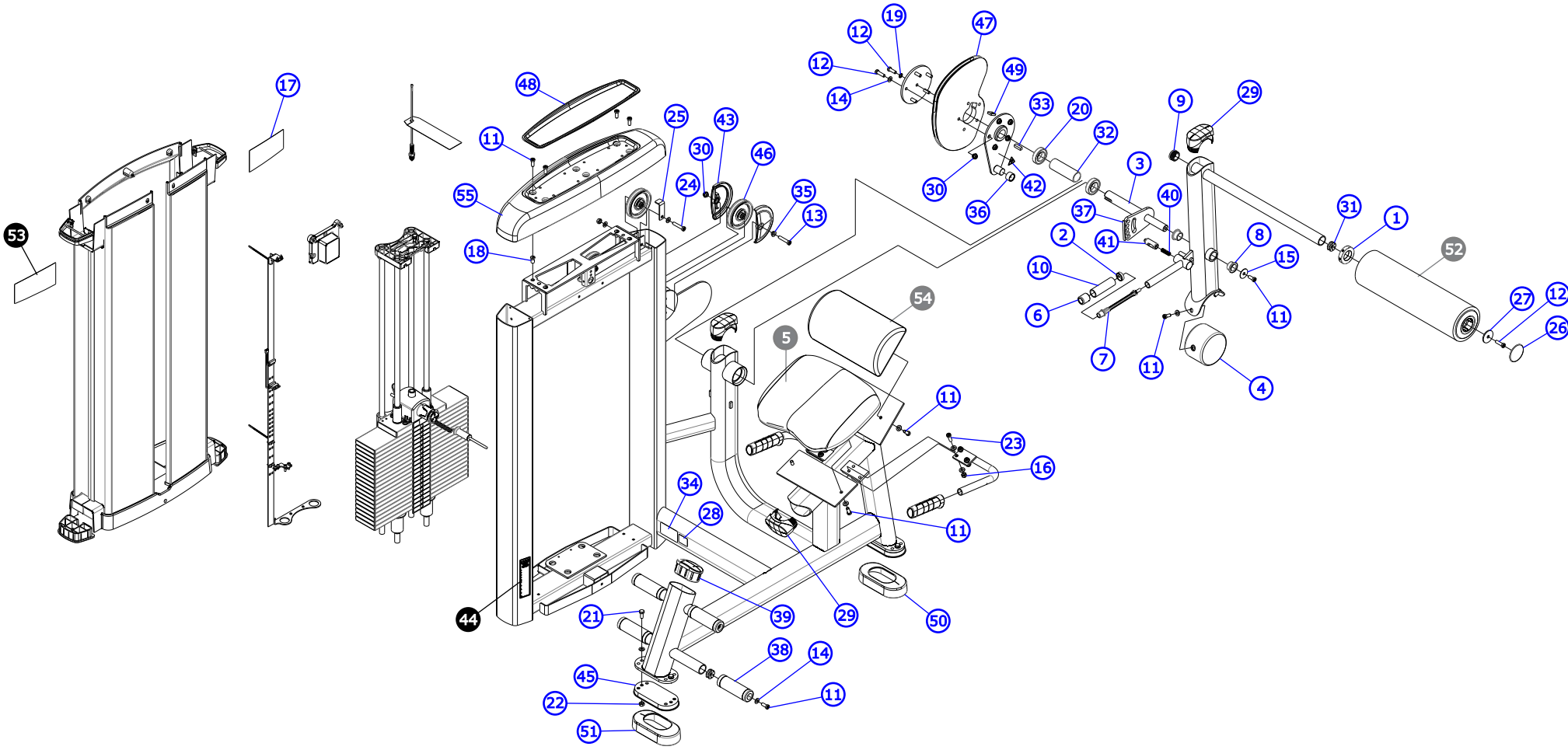
Powder Coat Painted Frame Weldments



ITEM NO.	QTY.	PART NO.	DESCRIPTION	TRIM	
1	1	7599899	WLDMT, FZBE CAM STOP	S	L
2	1	8029199	WLDMT, FZBE WORK ARM	S	L
3	1	9351799	WLDMT, HANDLE, LEFT HAND	S	L
4	1	9351899	WLDMT, HANDLE, RIGHT HAND	S	L
5	1	POSSIBLE RMA	WLDMT, SS-BE FRAME	S	L
6	1	7329199	PLATE, FZ, CAM COVER	S	L
7	1	9412699	CAP, TOWER -TOP	-	L

ITEMS ON THIS PAGE ARE POWDER COAT PAINTED. REFER TO PAGE 3 FOR ORDERING INSTRUCTIONS.

Insignia Series Back Extension Component Assembly

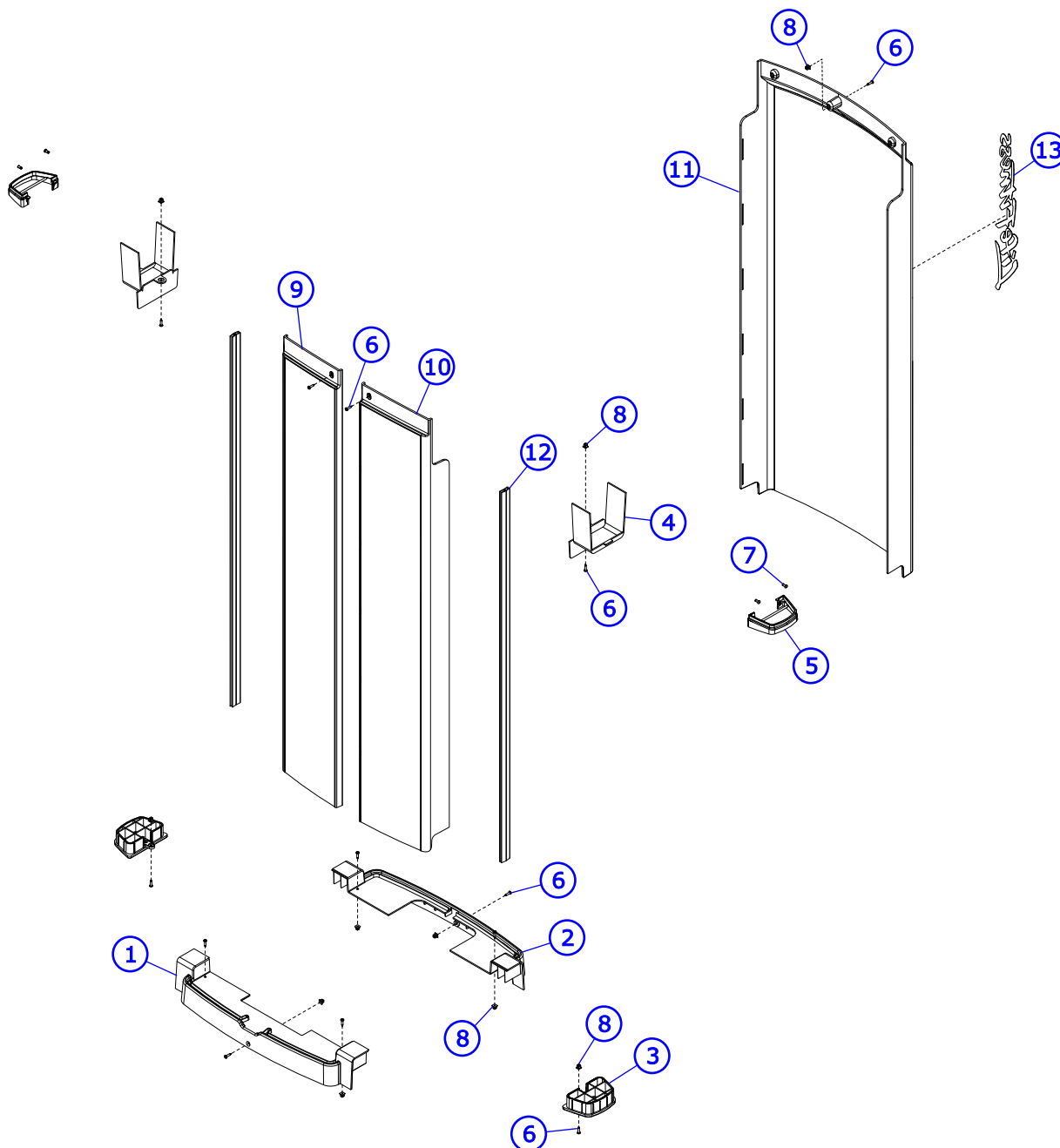


See page 6 for table

Insignia Series Back Extension Table

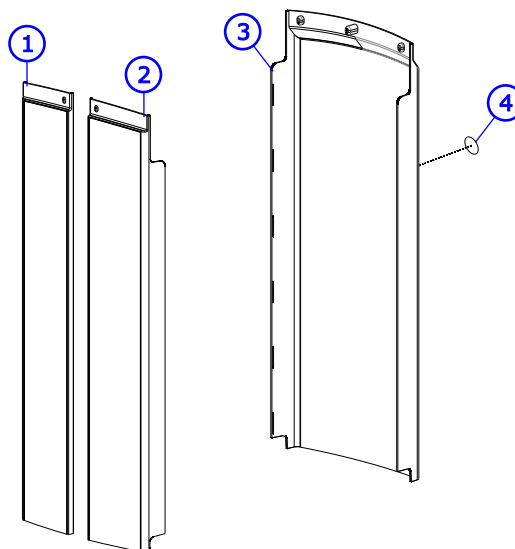
ITEM NO.	QTY.	PART NO.	DESCRIPTION	TRIM	
1	1	7357901	SHAFT COLLAR, 1-1/2" ID ALUM	S	L
2	1	7662801	RING, GRIP 1.25 OD	S	L
3	1	7774801	WLDMT, FZSLC/BE ADJ START	S	L
4	1	7801902	COUNTER WEIGHT, SMALL - COATED	S	L
5	1	7297201	PAD, LARGE CHAIR BLK, SNGL STITCH	S	L
		1000000-0099	PAD, LARGE CHAIR CUS, SNGL STITCH	S	L
		1000000-0101	PAD, LARGE CHAIR BLK, DBL STITCH	S	L
		1000000-0199	PAD, LARGE CHAIR CUS, DBL STITCH	S	L
6	1	9452901	ASSY, SELECTOR CAP	S	L
7	1	9455303	ROD, PUSH PIN	S	L
8	2	3104903	1.00" ID 1.25" OD BRONZ BUSHING	S	L
9	1	3119306	CAP, END 1.50 DIA RD 8-12 GA	S	L
10	1	3235801	GRIP, 1.25" OD X 4" FZLE, FZSLC, FZCE	S	L
11	15	3236202	SCREW, M10 X1.5 25MM	S	L
12	7	3236205	SCREW, M10 X1.5 40MM	S	L
13	1	3236207	SCREW, M10 X1.5 50MM	S	L
14	35	3236601	WASHER, 3/8 SAE SS	S	L
15	1	3236701	WASHER, FENDER 3/8" ID X 1.5" OD SS	S	L
16	9	3236801	NUT, M10 HEX NYLOCK SS	S	L
17	1	9476101	LABEL, SS-BE PLACARD RH	S	L
18	4	3275401	M10X1.5 BLIND THREADED INSERT (HEX) -HVY	S	L
19	1	3239503	WSH, .375 IN-D ST ZN	S	L
20	2	3243201	BEARING, 6007 BALL	S	L
21	4	3251202	SCREW, M10 X1.5 X 25MM UNS HEX CS ST ZN	S	L
22	4	3254703	NUT, M10 X 1.5 HEX ZINC	S	L
23	6	3275503	SCREW, M10 X 1.5 X 30 SHCS, LOW HEAD -NO PATCH	S	L
24	2	3275507	SCREW, M10 X 1.5 X 50 SHCS, LOW HEAD -NO PATCH	S	L
25	1	6757701	CLIP, CABLE 2-7/8 X 1 X 1	S	L
26	1	7308702	CAP, BEARING HOUSING	S	L
27	1	7322301	PLATE, 1.97 OD X .44 ID 10GA	S	L
28	1	9488901	LABEL, INSIGNIA, FCC	S	L
29	3	7333902	CAP, LARGE FLOV- END	S	L
30	6	7335401	NUT, M10 X 1.5 SOCKET HEAD	S	L
31	5	7347301	NUT, SPIDER M10 X 1.5	S	L
32	1	7511504	SPACER, FZ/PS INTERNAL 4.845	S	L
33	1	7511601	KEY, .375 SQUARE X 1.25	S	L
34	1	-	LABEL, SERIAL NUMBER, BLANK	S	L
35	1	7630101	RETAINER, CM/MJ, PULLEY	S	L
36	1	7690103	BUMPER, SLEEVE - 1 INCH DIA	S	L
37	1	7777902	LABEL, 1-5 STRAIGHT	S	L
38	4	7800102	GRIP, 1.50 ID FOOT	S	L
39	1	7800402	CAP, LRG FLOV END	S	L
40	1	8024501	SPRING, 1/2 OD X 1-1/2	S	L
41	1	8032401	PIN, PUSH	S	L
42	1	8039501	LABEL, WARNING, TRIANGLE	S	L
43	2	8094102	COVER, PULLEY-BOLTED PARTIAL -CHGR	S	L
44	1	8220099	LABEL, ASTM, SELECT VERT	S	L
45	2	9319301	FOOT, 2.50 X 4.49 FLOV	S	L
46	3	9319901	PULLEY, 3/16 IN CABLE (T2), 4.5 IN OD	S	L
47	1	9352001	CAM, SS-BE	S	L
48	1	9411201	TRAY, TOWER TOP CAP	S	L
49	1	9454901	PLATE, CABLE END, T2	S	L
50	1	9461301	COVER, FOOT - 10 deg	S	L
51	1	9461401	COVER, FOOT - 20 deg	S	L
52	1	1000001-0001	ASSY, ROLLER PAD LONG BLK, SNGL STITCH	S	L
		1000001-0099	ASSY, ROLLER PAD LONG CUS, SNGL STITCH	S	L
		1000001-0001	ASSY, ROLLER PAD LONG BLK, SNGL STITCH	S	L
		1000001-0099	ASSY, ROLLER PAD LONG CUS, SNGL STITCH	S	L
53	1	9464599	LABEL, SS-BE PLACARD, LH	S	L
54	1	7626401	PAD, LUMBAR, NO BACKER BLK, SNGL STITCH	S	L
		1000010-0099	PAD, LUMBAR, NO BACKER CUS, SNGL STITCH	S	L
		1000010-0101	PAD, LUMBAR, NO BACKER BLK, DBL STITCH	S	L
		1000010-0199	PAD, LUMBAR, NO BACKER CUS, DBL STITCH	S	L
55	1	9436701	CAP, TOWER, TOP, PLASTIC	S	-

Insignia Series Back Extension Tower Plastics



ITEM NO.	QTY.	PART NO.	DESCRIPTION
1	1	9410801	COVER, TOWER BOTTOM -FRONT
2	1	9411001	COVER, TOWER BOTTOM -REAR
3	2	9412701	ASSY, TRAP TUBE, CAP, BOTTOM
4	2	9415701	COVER, UPPER CROSS MEMBER
5	2	9415801	GASKET, TRAP TUBE
6	13	3275801	SCREW, 8 X 3/4 DIN PHL PAN AB ST ZB
7	4	0017-00101-1587	RVT 201X0413X.354 T NY NO
8	11	0017-00042-1147	GROMMET: SCREW; 8 OR 10
9	1	9410601	SHROUD, TOWER FRONT, LT - SHORT
10	1	9410701	SHROUD, TOWER FRONT, RT - SHORT
11	1	9411101	SHROUD, TOWER REAR - SHORT
12	2	9414601	SHROUD EXTRUSION - SHORT
13	1	9489101	LABEL, LIFE FITNESS

Insignia Series Back Extension Shroud Wraps



BAMBOO	DATE MADE	SERIAL #	ITEM	QTY.	PART NO.	DESCRIPTION
	1/1/2015 - 3/31/2016	PRIOR TO SS-XX0416001	1	1	9511802	SHROUD, SS, FNT, LT, SRT-BAM
			2	1	9511702	SHROUD, SS, FNT, RT, SRT-BAM
			3	1	9511902	SHROUD, SS, REAR, SRT-BAM
	4/01/2016 - PRESENT	ON OR AFTER SS-XX0416001	1	1	1003204-0002	SHROUD, SS, FNT, LT, SRT, ABS-BAM
			2	1	1003203-0002	SHROUD, SS, FNT, RT, SRT, ABS-BAM
			3	1	1003205-0002	SHROUD, SS, REAR, SRT, ABS-BAM

SKY	DATE MADE	SERIAL #	ITEM	QTY.	PART NO.	DESCRIPTION
	1/1/2015 - 3/31/2016	PRIOR TO SS-XX0416001	1	1	9511803	SHROUD, SS, FNT, LT, SRT-SKY
			2	1	9511703	SHROUD, SS, FNT, RT, SRT-SKY
			3	1	9511903	SHROUD, SS, REAR, SRT-SKY
	4/01/2016 - PRESENT	ON OR AFTER SS-XX0416001	1	1	1003204-0003	SHROUD, SS, FNT, LT, SRT, ABS-SKY
			2	1	1003203-0003	SHROUD, SS, FNT, RT, SRT, ABS-SKY
			3	1	1003205-0003	SHROUD, SS, REAR, SRT, ABS-SKY

BRONZE	DATE MADE	SERIAL #	ITEM	QTY.	PART NO.	DESCRIPTION
	1/1/2015 - 3/31/2016	PRIOR TO SS-XX0416001	1	1	9511804	SHROUD, SS, FNT, LT, SRT-BRZ
			2	1	9511704	SHROUD, SS, FNT, RT, SRT-BRZ
			3	1	9511904	SHROUD, SS, REAR, SRT-BRZ
	4/01/2016 - PRESENT	ON OR AFTER SS-XX0416001	1	1	1003204-0004	SHROUD, SS, FNT, LT, SRT, ABS-BRZ
			2	1	1003203-0004	SHROUD, SS, FNT, RT, SRT, ABS-BRZ
			3	1	1003205-0004	SHROUD, SS, REAR, SRT, ABS-BRZ

STEM	DATE MADE	SERIAL #	ITEM	QTY.	PART NO.	DESCRIPTION
	1/1/2015 - 3/31/2016	PRIOR TO SS-XX0416001	1	1	9511805	SHROUD, SS, FNT, LT, SRT-STM
			2	1	9511705	SHROUD, SS, FNT, RT, SRT-STM
			3	1	9511905	SHROUD, SS, REAR, SRT-STM
	4/01/2016 - PRESENT	ON OR AFTER SS-XX0416001	1	1	1003204-0005	SHROUD, SS, FNT, LT, SRT, ABS-STM
			2	1	1003203-0005	SHROUD, SS, FNT, RT, SRT, ABS-STM
			3	1	1003205-0005	SHROUD, SS, REAR, SRT, ABS-STM

ROSEWOOD	DATE MADE	SERIAL #	ITEM	QTY.	PART NO.	DESCRIPTION
	1/1/2015 - 3/31/2016	PRIOR TO SS-XX0416001	1	1	9511806	SHROUD, SS, FNT, LT, SRT-RSW
			2	1	9511706	SHROUD, SS, FNT, RT, SRT-RSW
			3	1	9511906	SHROUD, SS, REAR, SRT-RSW
	4/01/2016 - PRESENT	ON OR AFTER SS-XX0416001	1	1	1003204-0006	SHROUD, SS, FNT, LT, SRT, ABS-RSW
			2	1	1003203-0006	SHROUD, SS, FNT, RT, SRT, ABS-RSW
			3	1	1003205-0006	SHROUD, SS, REAR, SRT, ABS-RSW

STAINLESS STEEL	DATE MADE	SERIAL #	ITEM	QTY.	PART NO.	DESCRIPTION
	1/1/2015 - 3/31/2016	PRIOR TO SS-XX0416001	1	1	9511807	SHROUD, SS, FNT, LT, SRT-SS
			2	1	9511707	SHROUD, SS, FNT, RT, SRT-SS
			3	1	9511907	SHROUD, SS, REAR, SRT-SS
	4/01/2016 - PRESENT	ON OR AFTER SS-XX0416001	1	1	1003204-0007	SHROUD, SS, FNT, LT, SRT, ABS-SS
			2	1	1003203-0007	SHROUD, SS, FNT, RT, SRT, ABS-SS
			3	1	1003205-0007	SHROUD, SS, REAR, SRT, ABS-SS

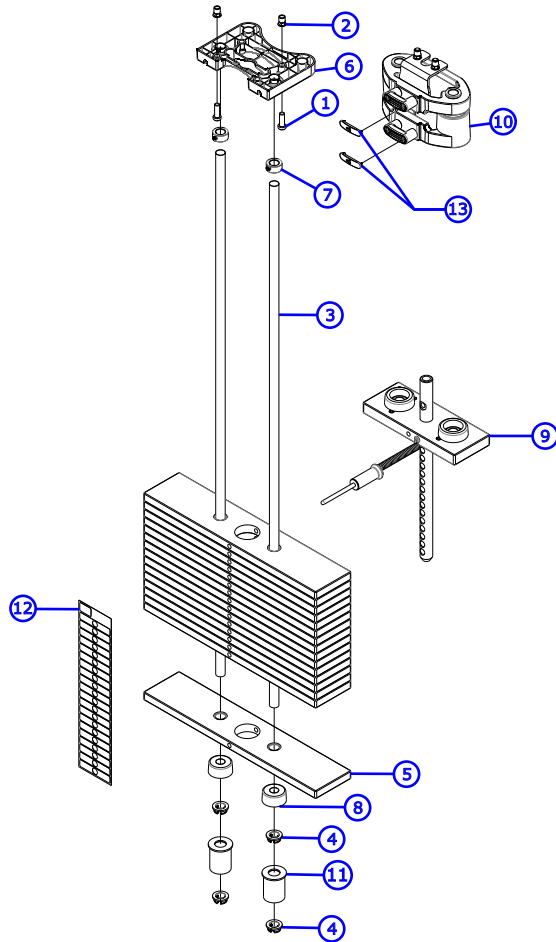
PREMIUM STAINLESS STEEL	DATE MADE	SERIAL #	ITEM	QTY.	PART NO.	DESCRIPTION
	4/01/2016 - PRESENT	ON OR AFTER SS-XX0416001	1	1	1003204-0008	SHROUD, SS, FNT, LT, SRT, ABS-PSS
			2	1	1003203-0008	SHROUD, SS, FNT, RT, SRT, ABS-PSS
			3	1	1003205-0008	SHROUD, SS, REAR, SRT, ABS-PSS

PREMIUM BLACK CARBON FIBER	DATE MADE	SERIAL #	ITEM	QTY.	PART NO.	DESCRIPTION
	4/01/2016 - PRESENT	ON OR AFTER SS-XX0416001	1	1	1003204-0009	SHROUD, SS, FNT, LT, SRT, ABS-PBCF
			2	1	1003203-0009	SHROUD, SS, FNT, RT, SRT, ABS-PBCF
			3	1	1003205-0009	SHROUD, SS, REAR, SRT, ABS-PBCF

4	1	AK58-00245-2401	MEDALLION-ASSY;LF-BUG B
---	---	-----------------	-------------------------

Insignia Series Back Extension Weight Stack Assemblies

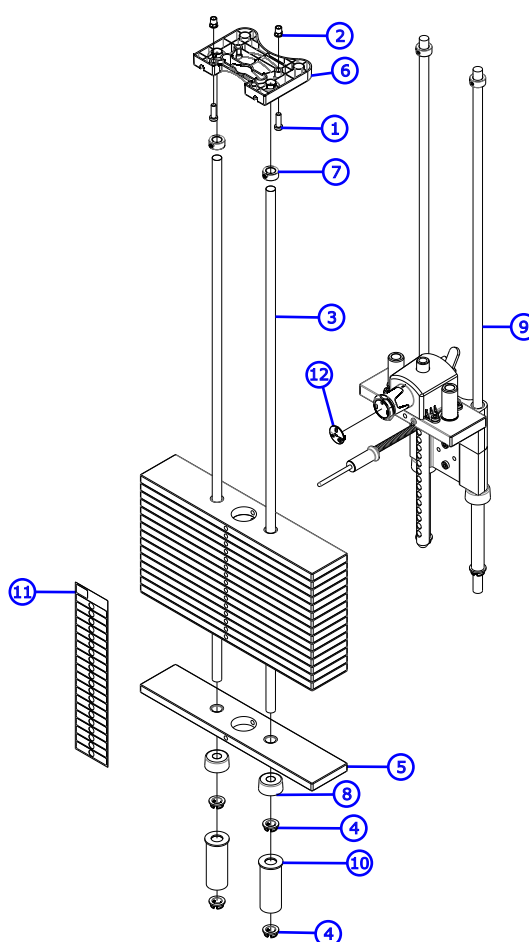
T - Base



Uses 9423911 Cable (83.875")

ITEM NO.	QTY.	PART NO.	DESCRIPTION
1	2	3236203	SCREW, M10 X1.5 30MM
2	2	3238601	M10X1.5 BLIND THREADED INSERT (HEX)
3	2	7328612	GUIDE ROD, .75 OD SOLID 50.36
4	4	7337901	BUSHING, GUIDE ROD
5	16	9407601	WGT PL, 3/4IN X 4IN, 15 LB
6	1	9412801	RETAINER, GUIDE ROD - TOP
7	2	3103301	SHAFT COLLAR, 3/4 IN ID
8	2	7352101	CUSHION, WEIGHT STACK
9	1	SEE PAGE 14	HEAD PLATE ASSY
10	1	SEE PAGE 14	INCREMENTAL WEIGHTS
11	2	9495913	WLDMT, WGT STK SPACER X 3.00 -CHR
12	1	9475301	LABEL, 3/4 IN WGT STACK, 295 LB
		9475201	LABEL, 3/4 IN WGT STACK, 147.5 KG
		9462303	CAP, DD INC WGT, YEL -LBS
13	2	9462403	CAP, DD INC WGT, YEL -KG

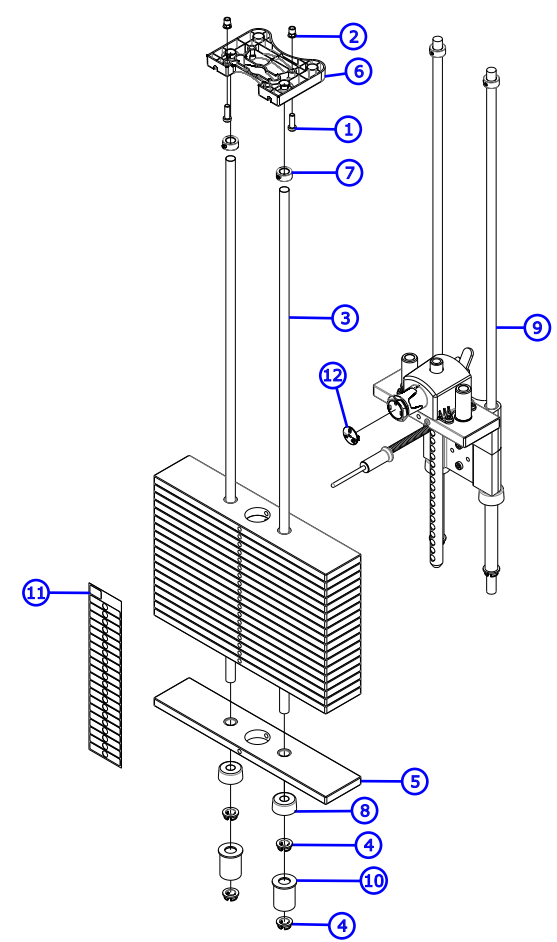
C - Light



Uses 9423912 Cable (81.625")

ITEM NO.	QTY.	PART NO.	DESCRIPTION
1	2	3236203	SCREW, M10 X1.5 30MM
2	2	3238601	M10X1.5 BLIND THREADED INSERT (HEX)
3	2	7328612	GUIDE ROD, .75 OD SOLID 50.36
4	4	7337901	BUSHING, GUIDE ROD
5	16	9407601	WGT PL, 3/4IN X 4IN, 15 LB
6	1	9412801	RETAINER, GUIDE ROD - TOP
7	2	3103301	SHAFT COLLAR, 3/4 IN ID
8	2	7352101	CUSHION, WEIGHT STACK
9	1	SEE PAGE 15	HEAD PLATE/RODSASSY
10	2	9495915	WLDMT, WGT STK SPACER X 5.25 -CHR
		9475301	LABEL, 3/4 IN WGT STACK, 295 LB
11	1	9475201	LABEL, 3/4 IN WGT STACK, 147.5 KG
		9431403	CAP, SELECTOR KNOB -LBS
12	1	9450103	CAP, SELECTOR KNOB -KGS

X - Heavy



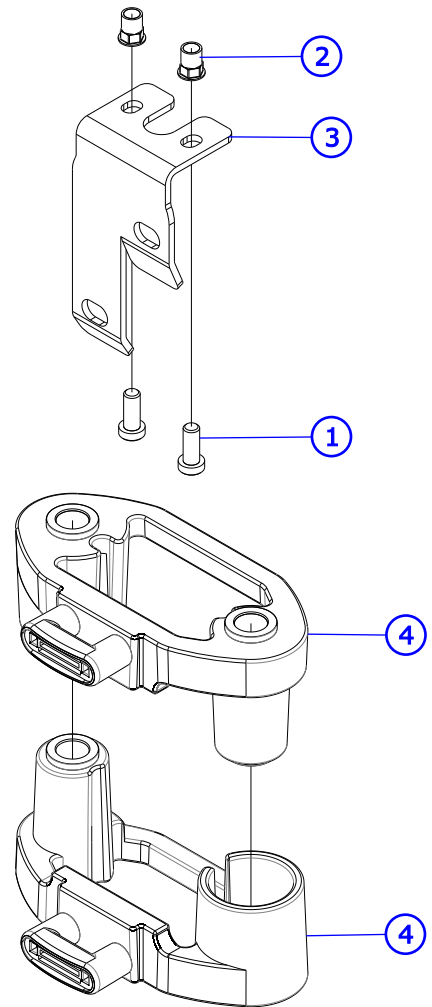
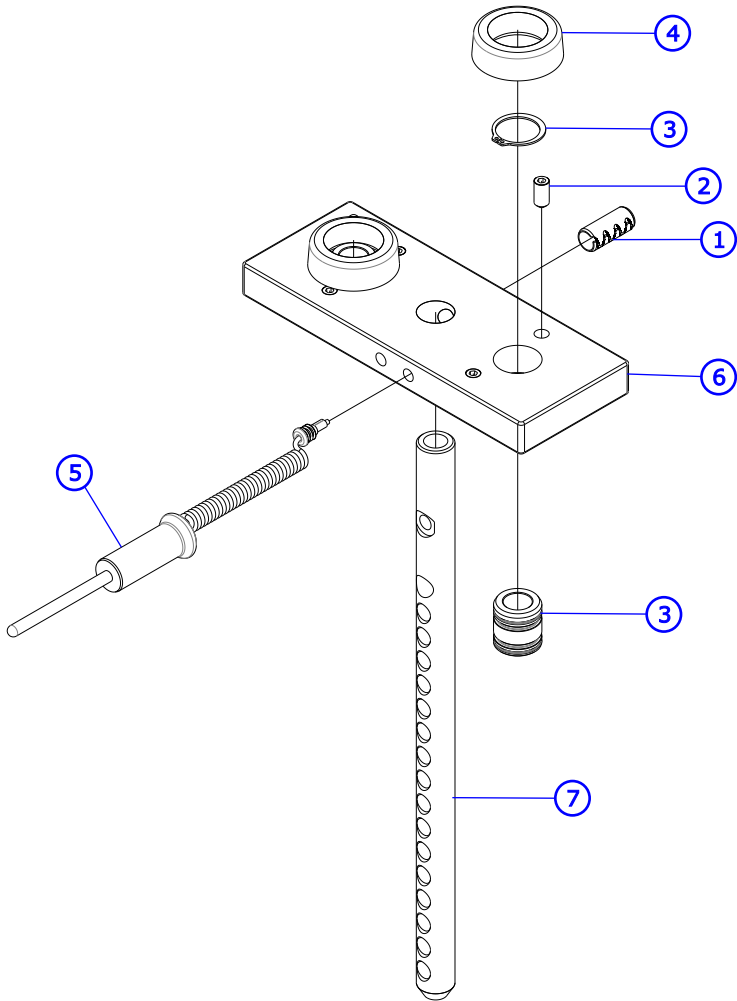
Uses 9423912 Cable (81.625")

ITEM NO.	QTY.	PART NO.	DESCRIPTION
1	2	3236203	SCREW, M10 X1.5 30MM
2	2	3238601	M10X1.5 BLIND THREADED INSERT (HEX)
3	2	7328612	GUIDE ROD, .75 OD SOLID 50.36
4	4	7337901	BUSHING, GUIDE ROD
5	19	9407601	WGT PL, 3/4IN X 4IN, 15 LB
6	1	9412801	RETAINER, GUIDE ROD - TOP
7	2	3103301	SHAFT COLLAR, 3/4 IN ID
8	2	7352101	CUSHION, WEIGHT STACK
9	1	SEE PAGE 15	HEAD PLATE/RODSASSY
10	2	9495913	WLDMT, WGT STK SPACER X 3.00 -CHR
		9475301	LABEL, 3/4 IN WGT STACK, 295 LB
11	1	9475201	LABEL, 3/4 IN WGT STACK, 147.5 KG
		9431403	CAP, SELECTOR KNOB -LBS
12	1	9450103	CAP, SELECTOR KNOB -KGS

Insignia Series Back Extension

T Trim Head Plate and Drop Down Increment Weights

T Trim

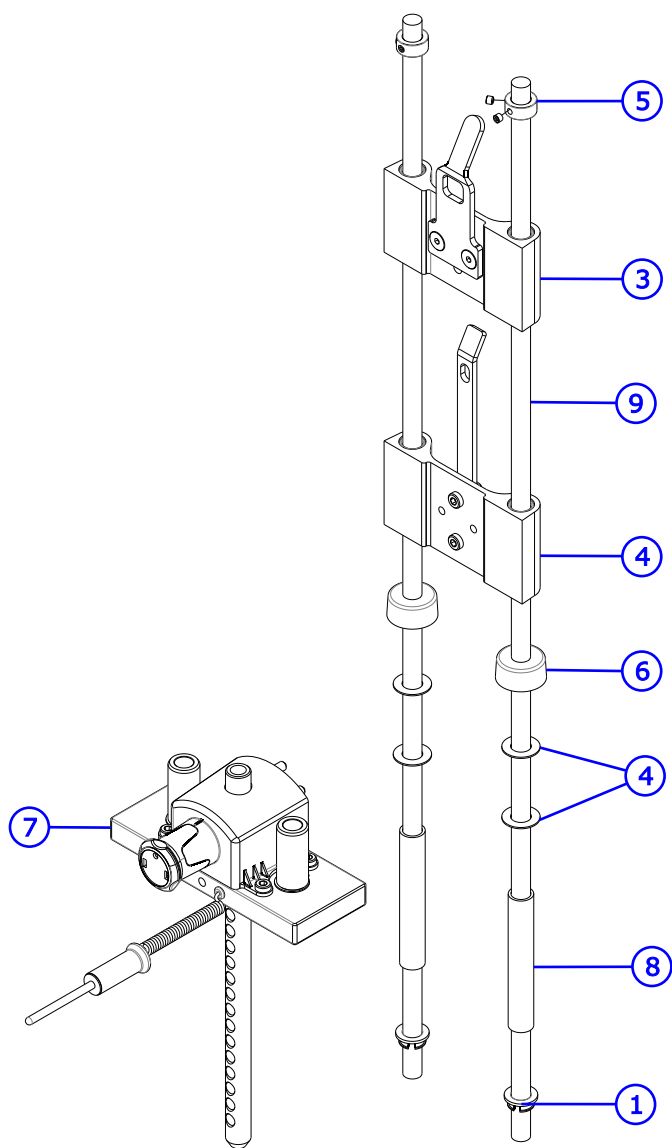


ITEM NO.	QTY.	PART NO.	DESCRIPTION
1	1	3236001	BUSHING, SPRING PIN
2	4	3240501	M10 X 1.5 HXS NO CUP ST BO
3	2	7338001	BUSHING, HEADPLATE
4	2	7767602	BUMPER, INCREMENT WT -BLK
5	1	1003679-0003	ASSY, WGT STK SELECTOR PIN -YELLOW
6	1	9427401	HEADPLATE, WT. STACK, 10LB
7	1	9434202	BAYONET, 16 PLATE

ITEM NO.	QTY.	PART NO.	DESCRIPTION
1	2	3236202	SCREW, M10 X1.5 25MM
2	2	3238601	M10X1.5 BLIND THREADED INSERT (HEX)
3	1	9430801	BRKT, INC WGT STRIKER
4	2	9455403	ASSY, DD INC WGT -YEL

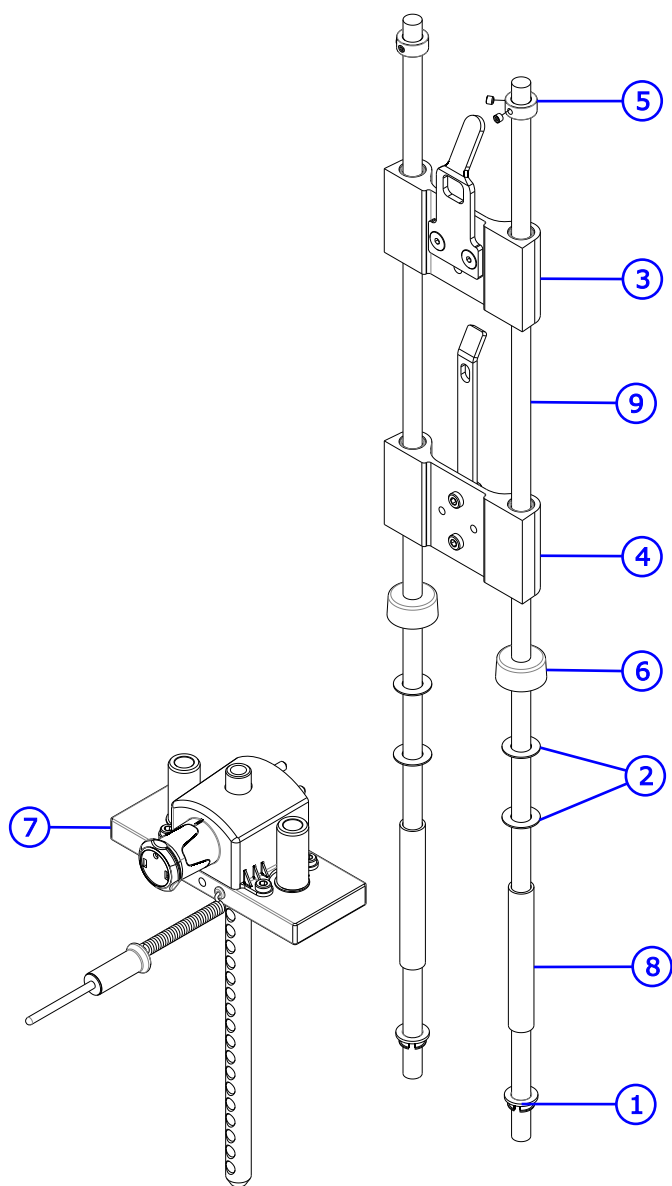
Insignia Series Back Extension C and X Trim Stack Components

C Trim



ITEM NO.	QTY.	PART NO.	DESCRIPTION
1	2	7337901	BUSHING, GUIDE ROD
2	4	7351001	SPACER, INC WT STACK
3	1	SEE PAGE 17	ASSY, INC WGT -5LB
4	1	SEE PAGE 17	ASSY, INC WGT -10LB
5	2	3103301	SHAFT COLLAR, 3/4 IN ID
6	2	7352101	CUSHION, WEIGHT STACK
7	1	SEE PAGE 16	ASSY, SS, HEAD PLATE, DIAL, STD -16
8	2	7328707	SPACER, INC WT STACK -9.63
9	2	7328612	GUIDE ROD, .75 OD SOLID X 50.36

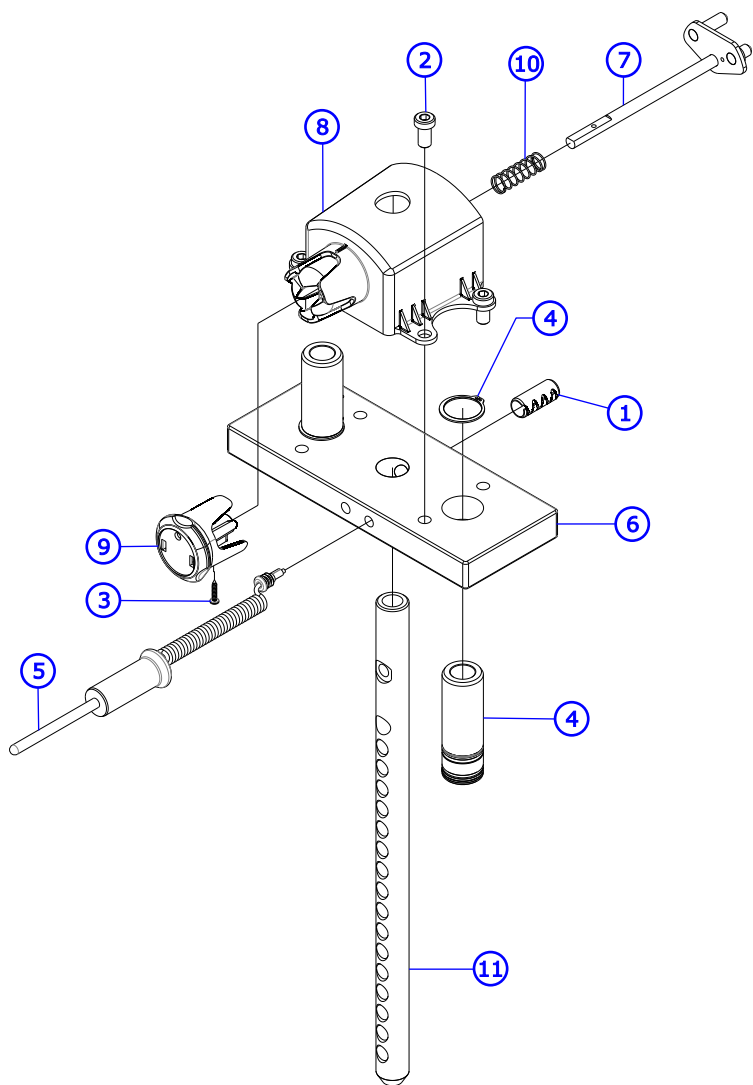
X Trim



ITEM NO.	QTY.	PART NO.	DESCRIPTION
1	2	7337901	BUSHING, GUIDE ROD
2	4	7351001	SPACER, INC WT STACK
3	1	SEE PAGE 17	ASSY, INC WGT -5LB
4	1	SEE PAGE 17	ASSY, INC WGT -10LB
5	2	3103301	SHAFT COLLAR, 3/4 IN ID
6	2	7352101	CUSHION, WEIGHT STACK
7	1	SEE PAGE 16	ASSY, SS, HEAD PLATE, HVY -19
8	2	7328707	SPACER, INC WT STACK -9.63
9	2	7328612	GUIDE ROD, .75 OD SOLID X 50.36

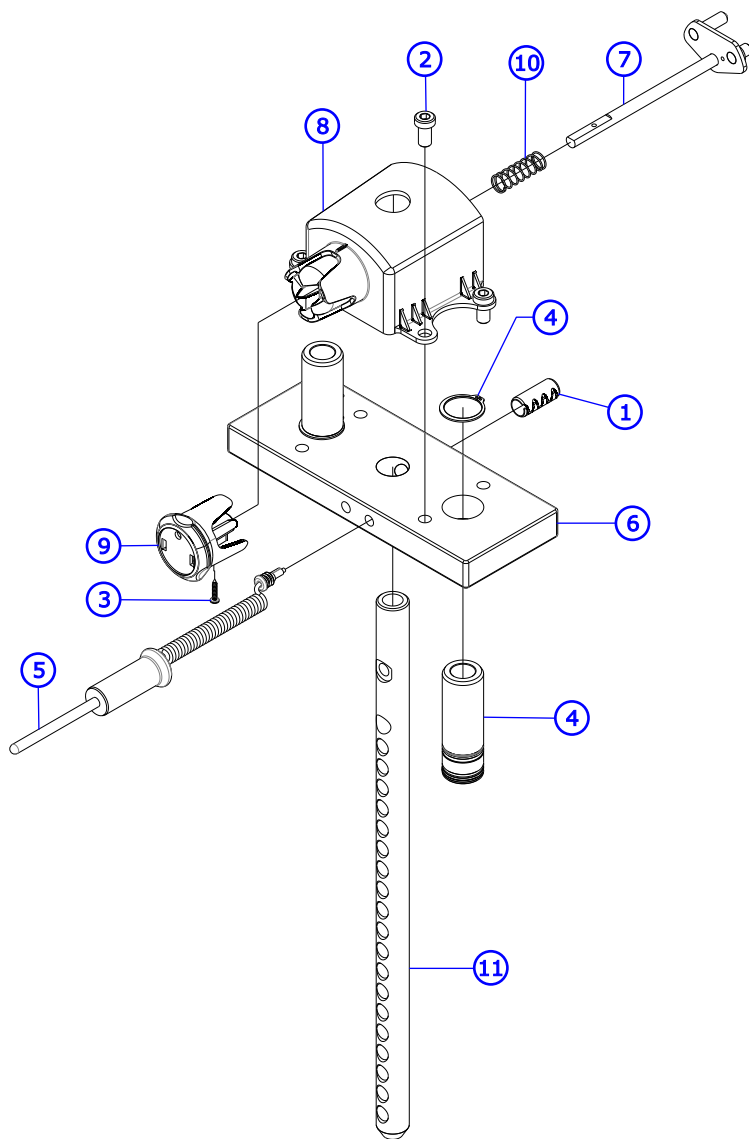
Insignia Series Back Extension C and X Trim Head Plate Assemblies

C Trim



ITEM NO.	QTY.	PART NO.	DESCRIPTION
1	1	3236001	BUSHING, SPRING PIN
2	4	3236201	SCREW, M10 X1.5 20MM
3	1	3275601	SCREW, 6 X 3/4 DIN PHL PAN AB ST ZB
4	2	9296001	BUSHING, HEADPLATE, LONG
5	1	1003679-0003	ASSY, WGT STK SELECTOR PIN -YELLOW
6	1	9427401	HEADPLATE, WT. STACK, 10LB
7	1	9427501	WLDMT, INC WGT PIN
8	1	9430501	HSNG, INC WEIGHT
9	1	9443201	KNOB, INC WEIGHT
10	1	9443301	SPRING, INC WGT PIN
11	1	9434202	BAYONET, 16 PLATE

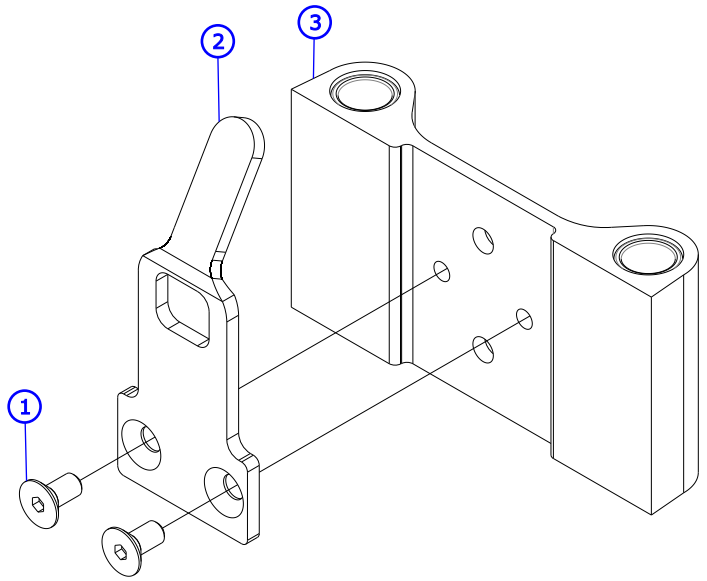
X Trim



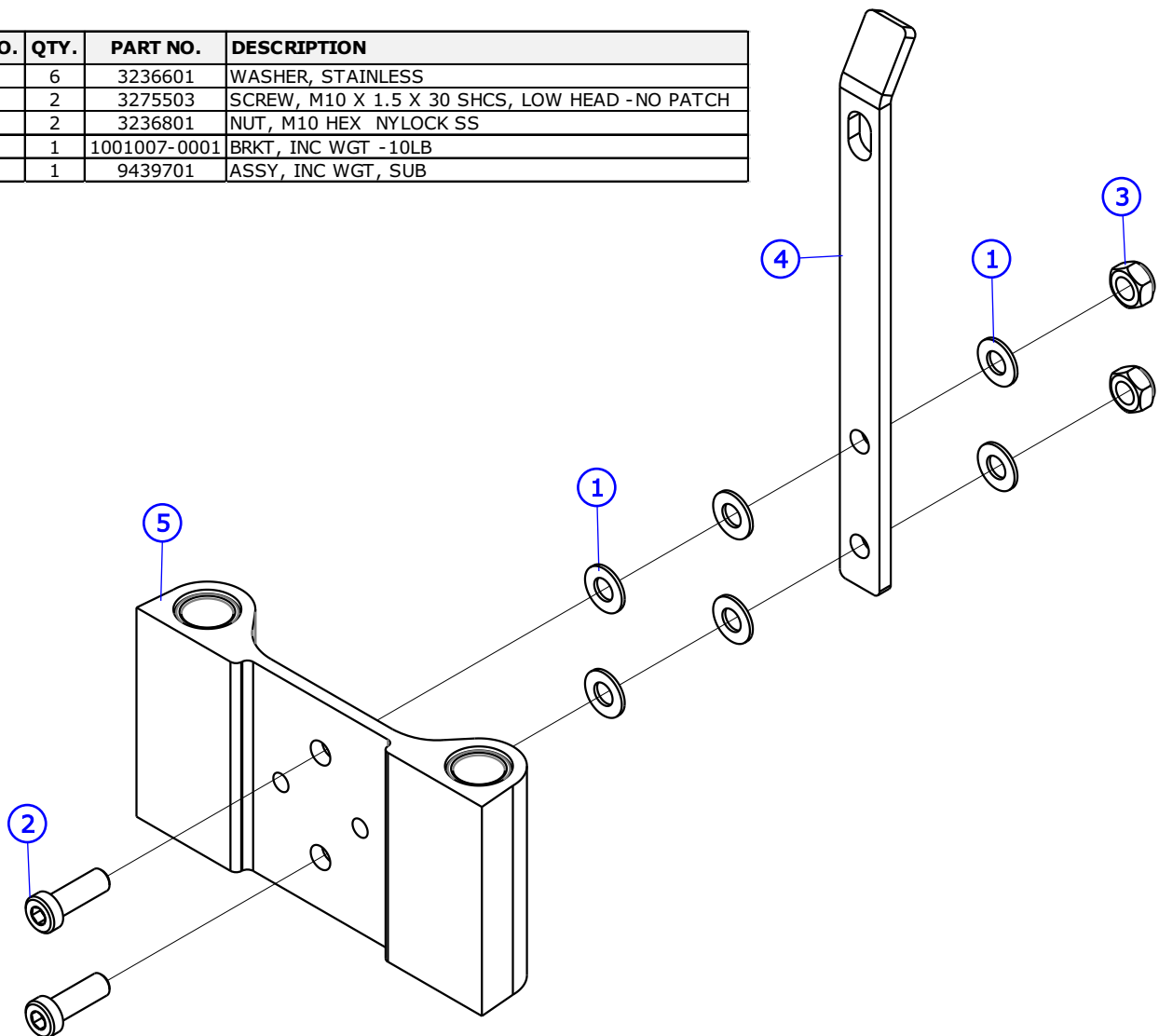
ITEM NO.	QTY.	PART NO.	DESCRIPTION
1	1	3236001	BUSHING, SPRING PIN
2	4	3236201	SCREW, M10 X1.5 20MM
3	1	3275601	SCREW, 6 X 3/4 DIN PHL PAN AB ST ZB
4	2	9296001	BUSHING, HEADPLATE, LONG
5	1	1003679-0003	ASSY, WGT STK SELECTOR PIN -YELLOW
6	1	9427401	HEADPLATE, WT. STACK, 10LB
7	1	9427501	WLDMT, INC WGT PIN
8	1	9430501	HSNG, INC WEIGHT
9	1	9443201	KNOB, INC WEIGHT
10	1	9443301	SPRING, INC WGT PIN
11	1	9426002	BAYONET, 19 PLATE

Insignia Series Back Extension C and X Trim Incremental Weights

ITEM NO.	QTY.	PART NO.	DESCRIPTION
1	2	3238301	M10x1.5x20mm
2	1	9428201	BRKT, INC WGT -5 LB
3	1	9439701	ASSY, INC WGT, SUB

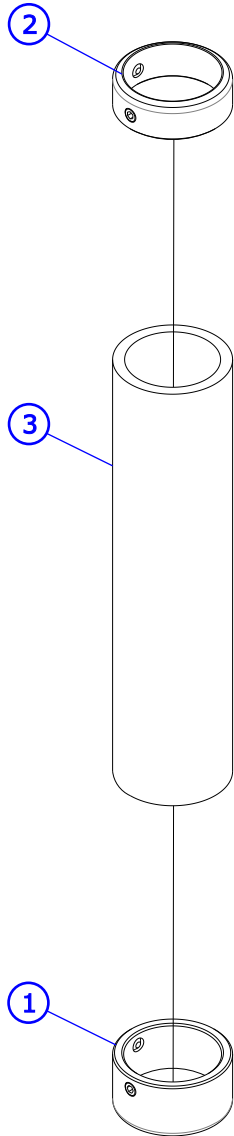


ITEM NO.	QTY.	PART NO.	DESCRIPTION
1	6	3236601	WASHER, STAINLESS
2	2	3275503	SCREW, M10 X 1.5 X 30 SHCS, LOW HEAD -NO PATCH
3	2	3236801	NUT, M10 HEX NYLOCK SS
4	1	1001007-0001	BRKT, INC WGT -10LB
5	1	9439701	ASSY, INC WGT, SUB



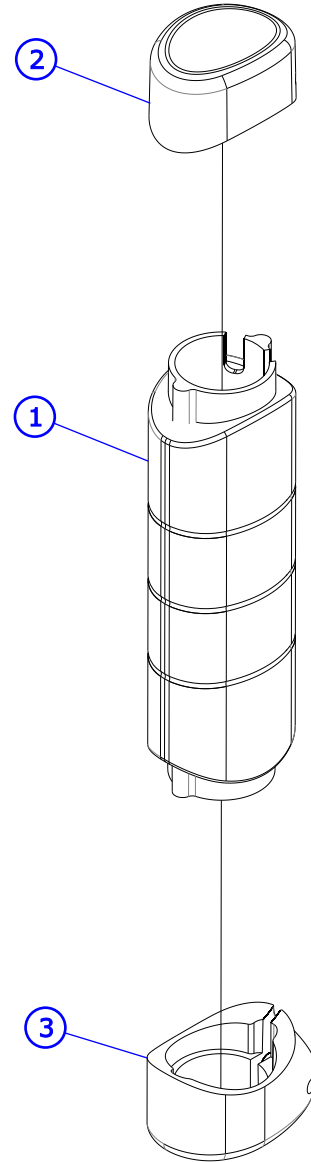
Insignia Series Back Extension Grip Assemblies

S Trim



ITEM NO.	QTY.	PART NO.	DESCRIPTION
1	1	7662901	CAP, GRIP 1.25 OD
2	1	7662801	RING, GRIP
3	1	3235806	GRIP, 1.25 OD X .125 WALL, OPEN END

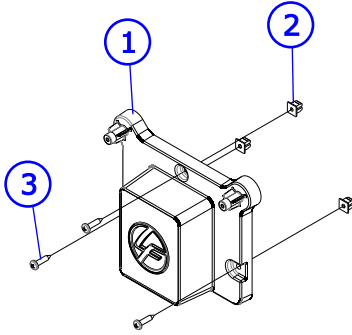
L Trim



ITEM NO.	QTY.	PART NO.	DESCRIPTION
1	1	9453001	GRIP, ERGO, OVERMOLD
2	1	1001761-0001	ASSY, CAP, GRIP
3	1	1001760-0001	ASSY, COLLAR, ERGO GRIP

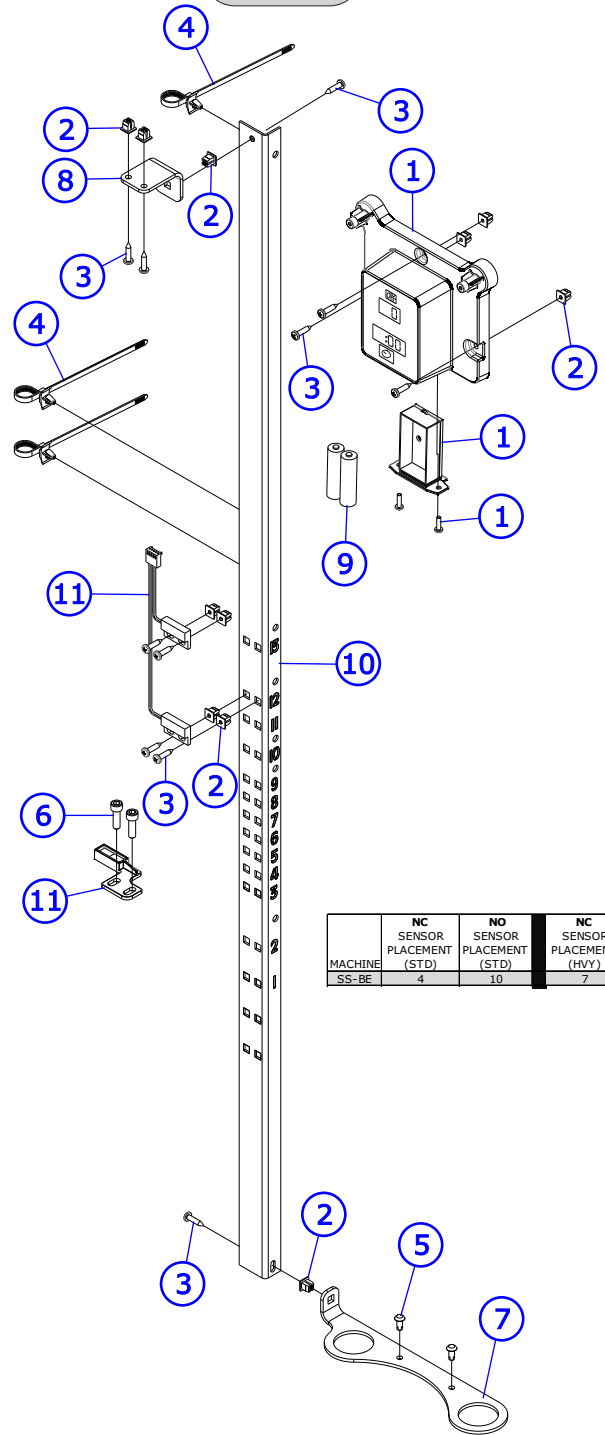
Insignia Series Back Extension Sensor Assemblies

S Trim



ITEM NO.	QTY.	PART NO.	DESCRIPTION
1	1	9437401	SS - ASSY, DISPLAY, BASE
2	3	0017-00042-1147	GROMMET: SCREW; 8 OR 10
3	3	3275801	SCREW, 8 X 3/4 DIN PHL PAN AB ST ZB

L Trim



	NC SENSOR PLACEMENT (STD)	NO SENSOR PLACEMENT (STD)	NC SENSOR PLACEMENT (HVY)	NO SENSOR PLACEMENT (HVY)
MACHINE SS-BE	4	10	7	12

ITEM NO.	QTY.	PART NO.	DESCRIPTION
1	1	9417701	ASSY, DISPLAY, COUNTER
2	11	0017-00042-1147	GROMMET: SCREW; 8 OR 10
3	11	3275801	SCREW, 8 X 3/4 DIN PHL PAN AB ST ZB
4	3	3276101	GROMMET, CABLE TIE
5	2	0017-00101-1587	RVT 201X0413X.354 T NY NO
6	2	3241701	SCREW, M6 X1 20MM
7	1	9432728	BRKT, SS, SWITCH MNT -CHGR
8	1	9434828	BRKT, SS, SWITCH MNT
9	2	-	BATTERY, AA
10	1	9434628	BRKT, SS, SWITCH MNT, STD -CHR
11	1	1000585-0001	ASSY, SS, PROX SWITCH/MAGNET