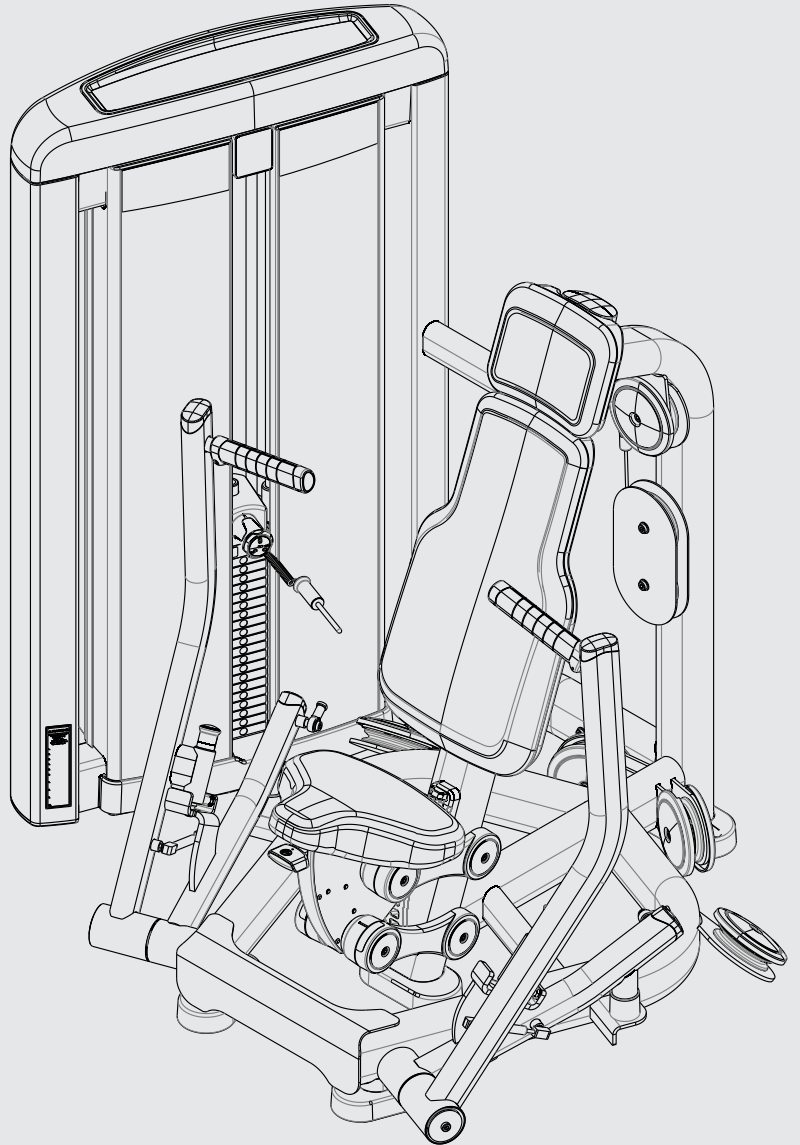


INSIGNIA SERIES
CHEST PRESS
SS-CP
PARTS MANUAL



Insignia Series Chest Press

Contents

| | |
|---|----|
| Options and Key | 3 |
| Powder Coat Painted Frame Weldments | 4 |
| Component Assembly | 5 |
| Labels | 6 |
| Table | 7 |
| Seat Assembly | 8 |
| Tower Plastics | 9 |
| Shroud Wraps | 10 |
| Weight Stack Assemblies | 11 |
| T Trim Head Plate and Drop Down Increment Weights | 12 |
| C and X Trim Stack Components | 13 |
| C and X Trim Head Plate Assemblies | 14 |
| C and X Trim Incremental Weights | 15 |
| Grip Assemblies | 16 |
| Sensor Assemblies | 17 |

Insignia Series Chest Press

Options and Key

FRAME COLOR OPTION

SELECT POWDERCOAT COLOR

- BLACK
- BLUE
- CANDY APPLE RED
- CHARCOAL
- DIAMOND WHITE
- ELECTRIC BLUE
- ICE BLUE METALLIC
- MIDNIGHT METALLIC
- MOCHA SAND
- NICKEL
- PLATINUM
- RED
- TITANIUM
- WHITE
- YELLOW
- CUSTOM

UPHOLSTERY OPTION

SINGLE STITCH



DOUBLE STITCH



UPHOLSTERY COLOR OPTION

- AMERICAN BEAUTY RED
- AZURE
- BLACK
- BLACK CARBON FIBER
- BURGUNDY
- CANDLY APPLE RED
- CHESTNUT
- CONCORD
- CRANBERRY
- CROCUS
- DARK WALNUT
- DOVE GRAY
- EMERALD
- GRAPHITE
- GROTTTO
- GUN METAL
- HUNTER GREEN
- IMPERIAL BLUE
- JADE
- NAVY
- NORTHWOODS GREEN
- PAPRIKA
- PLUM
- PUTTY
- REGIMENTAL BLUE
- ROYAL BLUE
- SLATE
- SPACE BLUE
- SUEDE
- TERRA COTTA
- TURQUOISE
- WHEAT
- CUSTOM

LANGUAGE OPTION

SELECT LANGUAGE

- 01 ENGLISH
- 02 GERMAN
- 03 FRENCH
- 04 SPANISH
- 05 ITALIAN
- 06 DUTCH
- 07 JAPANESE
- 08 PORTUGUESE
- 10 RUSSIAN
- 11 TURKISH
- 12 CHINESE
- 13 ARABIC

WEIGHT STACK OPTION

- T - BASE STACK
- C - LIGHT STACK
- X - HEAVY STACK

- POUNDS
- KILOGRAMS

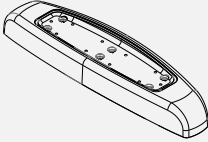

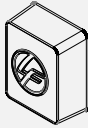
SHROUD WRAP OPTION

- BAMBOO
- BLACK CARBON FIBER
- BRONZE
- FULL SHROUD
- PREMIUM STAINLESS STEEL
- ROSEWOOD
- SKY
- STAINLESS STEEL
- STEM
- CUSTOM

TRIM OPTION

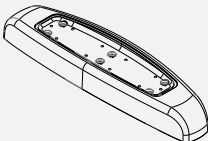

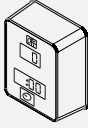
S

PLASTIC TOWER CAP
STANDARD GRIP
NO REP COUNTER

L

PAINTED CAST TOWER CAP
ERGO GRIP
REP COUNTER

KEY

LANGUAGE 1 2 3

Items with Black call-outs require the last two digits (XX) to be replaced with language codes listed above. IE: 12345XX should be 1234501 for English.

UPHOLSTERY 1 2 3

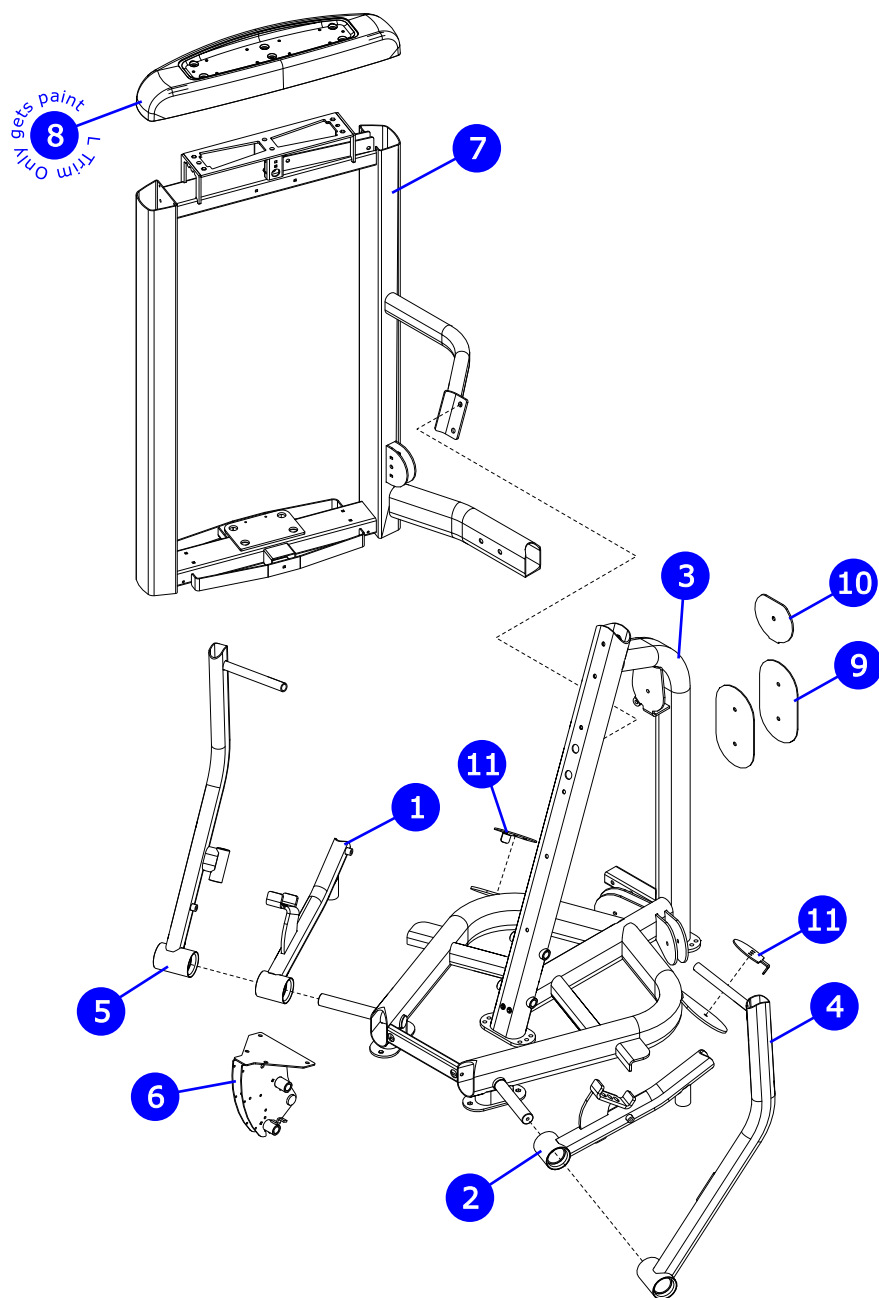
Items with Gray call-outs require the upholstery color within the order notes. IE: Putty.

FRAME COLOR 1 2 3

Items with Blue call-outs require the powder coat frame color to be within the order notes.

Insignia Series Chest Press

Powder Coat Painted Frame Weldments

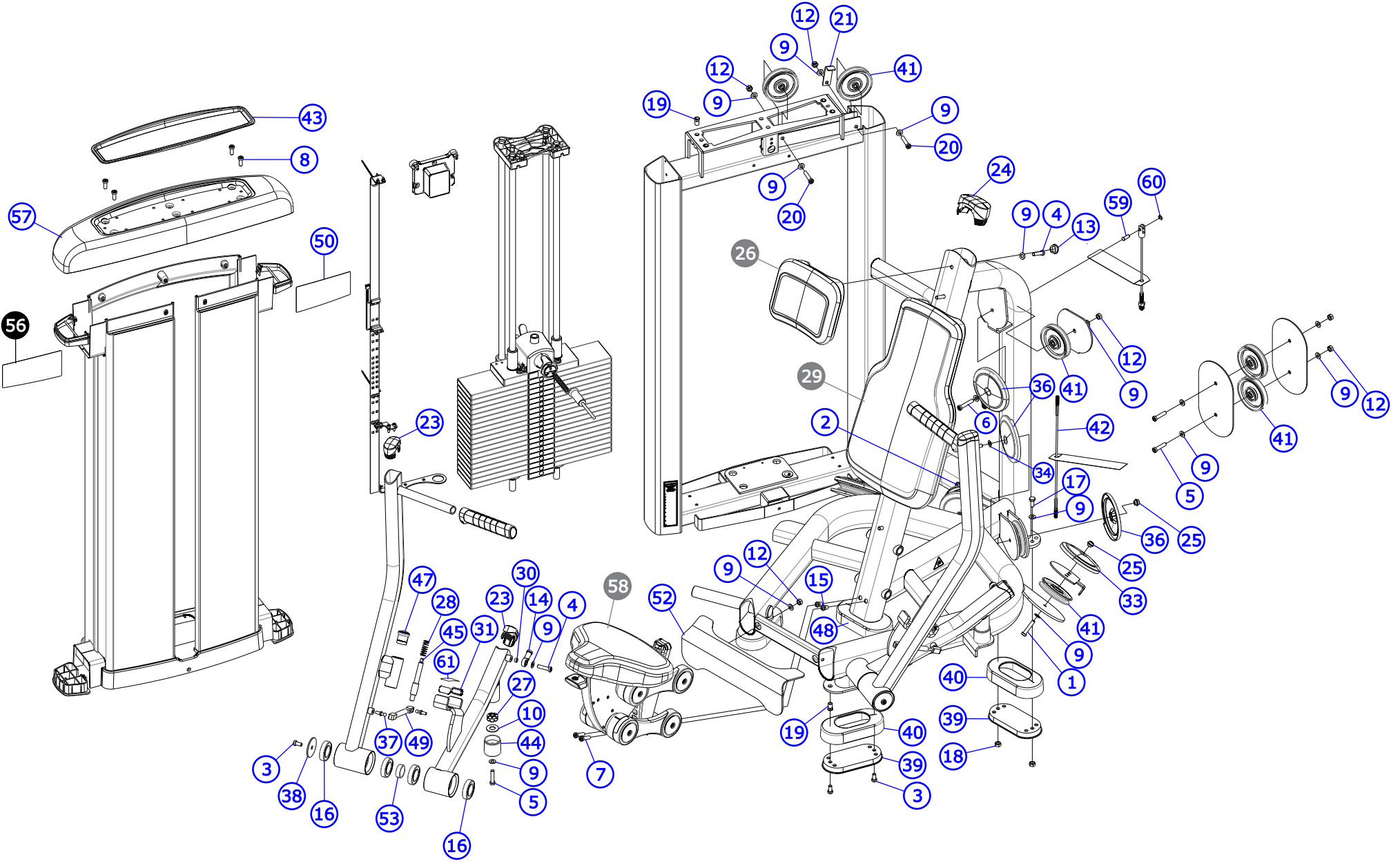


| ITEM NO. | QTY. | PART NO. | DESCRIPTION | TRIM | |
|----------|------|--------------|------------------------------|------|---|
| 1 | 1 | 9360999 | WLDMT, MID ARM, RT | S | L |
| 2 | 1 | 9361099 | WLDMT, MID ARM, LT | S | L |
| 3 | 1 | POSSIBLE RMA | WLDMT, SS-CP, FRAME | S | L |
| 4 | 1 | 9362099 | WLDMT, PRESS ARM, LT | S | L |
| 5 | 1 | 9362299 | WLDMT, PRESS ARM, RT | S | L |
| 6 | 1 | 9401299 | WLDMT, SS-FRONT SEAT SUPPORT | S | L |
| 7 | 1 | POSSIBLE RMA | WLDMT, SS-CP, TWR | S | L |
| 8 | 1 | 9412699 | CAP, SS, CAST, PAINTED | - | L |
| 9 | 2 | 9318999 | PLATE, PULLEY, FLOATING | S | L |
| 10 | 1 | 9503399 | PLATE, PULLEY COVER | S | L |
| 11 | 2 | 7730999 | BRKT, COVER/CABLE RETAINER | S | L |

ITEMS ON THIS PAGE ARE POWDER COAT PAINTED. REFER TO PAGE 3 FOR ORDERING INSTRUCTIONS.

Insignia Series Chest Press

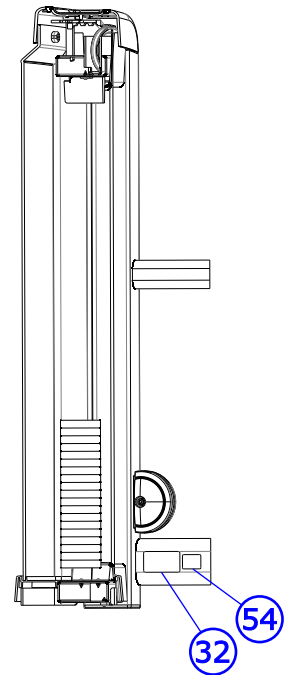
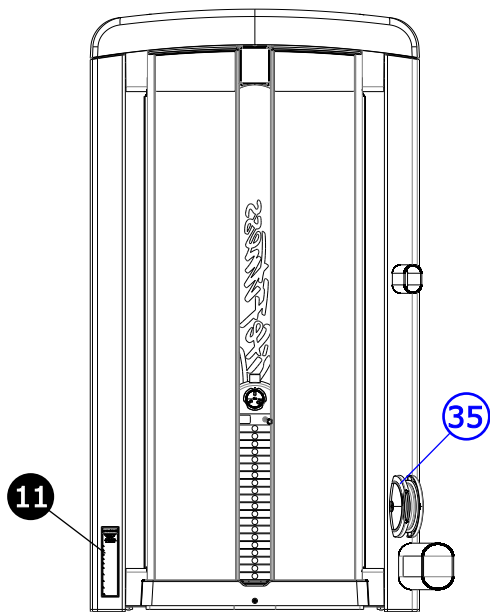
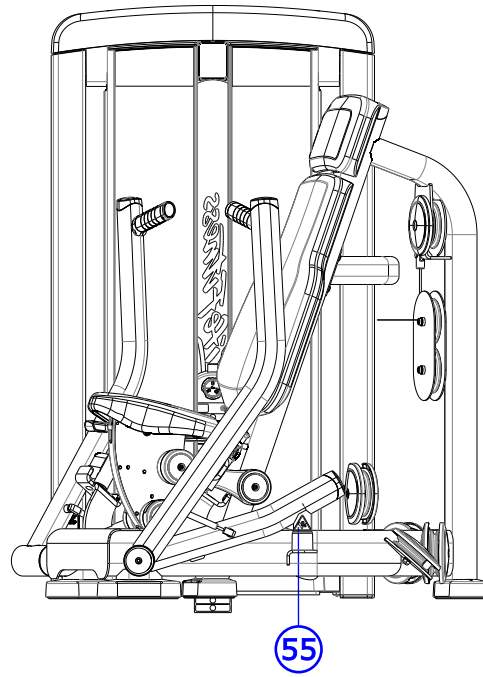
Component Assembly



See page 7 for table

Insignia Series Chest Press

Labels



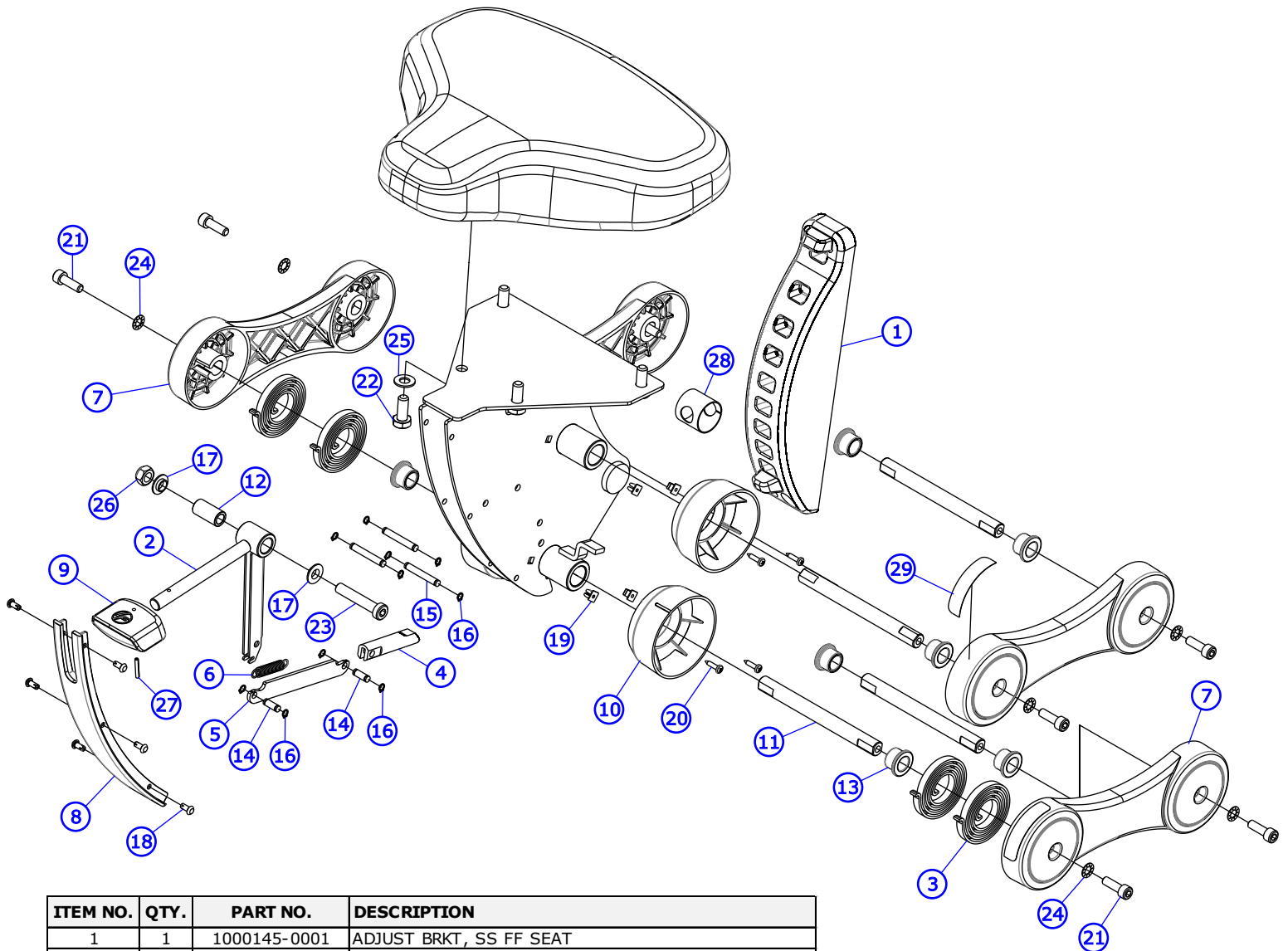
See page 7 for table

Insignia Series Chest Press Table

| ITEM NO. | QTY. | PART NO. | DESCRIPTION | TRIM | |
|----------|------|--------------|--|------|---|
| 1 | 4 | 3236207 | SCREW, M10 X1.5 50MM | S | L |
| 2 | 2 | 3236211 | SCREW, M10 X1.5 70MM | S | L |
| 3 | 9 | 3236201 | SCREW, M10 X1.5 20MM | S | L |
| 4 | 6 | 3236205 | SCREW, M10 X1.5 40MM | S | L |
| 5 | 4 | 3236206 | SCREW, M10 X1.5 45MM | S | L |
| 6 | 2 | 3236208 | SCREW, M10 X1.5 55MM | S | L |
| 7 | 2 | 3236204 | SCREW, M10 X1.5 35MM | S | L |
| 8 | 4 | 3236202 | SCREW, M10 X1.5 25MM | S | L |
| 9 | 30 | 3236601 | WASHER, 3/8 SAE SS | S | L |
| 10 | 2 | 9455101 | SHIM, 1.75" X .44" | S | L |
| 11 | 1 | 8220001 | LABEL, ASTM, SELECT VERT | S | L |
| 12 | 7 | 3236801 | NUT, M10 HEX NYLOCK SS | S | L |
| 13 | 6 | 3237407 | PLUG, 1" HOLE | S | L |
| 14 | 2 | 3237901 | ROD END, METRIC FEMALE | S | L |
| 15 | 4 | 3238601 | M10X1.5 BLIND THREADED INSERT (HEX) | S | L |
| 16 | 8 | 3243201 | BEARING, 6007 BALL | S | L |
| 17 | 4 | 3251202 | SCREW, M10 X1.5 X 25MM UNS HEX CS ST ZN | S | L |
| 18 | 4 | 3254703 | NUT, M10 X 1.5 HEX ZINC | S | L |
| 19 | 8 | 3275401 | M10X1.5 BLIND THREADED INSERT (HEX) -HVY | S | L |
| 20 | 2 | 3275507 | SCREW, M10 X 1.5 X 50 SHCS, LOW HEAD -NO PATCH | S | L |
| 21 | 1 | 6757701 | CLIP, CABLE 2-7/8 X 1 X 1 | S | L |
| 23 | 4 | 7333802 | CAP, SMALL FLOV- END | S | L |
| 24 | 1 | 7333902 | CAP, LARGE FLOV- END | S | L |
| 25 | 7 | 7335401 | NUT, M10 X 1.5 SOCKET HEAD | S | L |
| 26 | 1 | 1000017-0101 | PAD, HEAD REST BLK, DBL STITCH | S | L |
| | | 1000017-0001 | PAD, HEAD REST BLK, SNGL STITCH | | |
| | | 1000017-0199 | PAD, HEAD REST CUS, DBL STITCH | | |
| | | 1000017-0099 | PAD, HEAD REST CUS, SNGL STITCH | | |
| 27 | 2 | 7347301 | NUT, SPIDER M10 X 1.5 | S | L |
| 28 | 1 | 7351502 | SPRING, PULL PIN LARGE | S | L |
| 29 | 1 | 1000018-0101 | PAD, LARGE BACK BLK, DBL STITCH | S | L |
| | | 1000018-0001 | PAD, LARGE BACK BLK, SNGL STITCH | | |
| | | 1000018-0199 | PAD, LARGE BACK CUS, DBL STITCH | | |
| | | 1000018-0099 | PAD, LARGE BACK CUS, SNGL STITCH | | |
| 30 | 4 | 7489402 | BSHNG, .500 OD X .402 ID X .235 | S | L |
| 31 | 4 | 7570802 | GUARD, PAINT 1.25"x.75"x.25" BLK | S | L |
| 32 | 1 | - | LABEL, SERIAL NUMBER | S | L |
| 33 | 2 | 8102902 | COVER, PULLEY- BOLTED FULL | S | L |
| 34 | 4 | 7776401 | SPACER, FLANGE .406 X .495 X .81 | S | L |
| 35 | 2 | 8094102 | COVER, PULLEY-BOLTED PARTIAL -CHGR | S | L |
| 36 | 5 | 8104502 | COVER, PULLEY-BOLTED NOTCHED | S | L |
| 37 | 4 | 7414301 | BALL STUD, GAS SPRING | S | L |
| 38 | 2 | 8722528 | PLATE, SPL STEEL COVER - SG | S | L |
| 39 | 4 | 9319301 | FOOT, 2.50 X 4.49 FLOV | S | L |
| 40 | 3 | 9319401 | COVER, FOOT - STRAIGHT | S | L |
| 41 | 10 | 9319901 | PULLEY, 3/16 IN CABLE (T2), 4.5 IN OD | S | L |
| 42 | 1 | 9343203 | CABLE, SS, TS, TS | S | L |
| 43 | 1 | 9411201 | TRAY, TOWER TOP CAP | S | L |
| 44 | 2 | 9414501 | BUMPER, HARD STOP | S | L |
| 45 | 2 | 1000103-0001 | PIN, PULL | S | L |
| 47 | 2 | 9454703 | KNOB, ADJ | S | L |
| 48 | 1 | 9461401 | COVER, FOOT - 20 deg | S | L |
| 49 | 2 | 9473201 | GAS SPRING, 150N | S | L |
| 50 | 1 | 9476401 | LABEL, SS-CP PLACARD | S | L |
| 52 | 1 | 9478628 | WLDMT, FOOT GUARD | S | L |
| 53 | 2 | 9484701 | SPACER, INTERNAL X .530 | S | L |
| 54 | 1 | 9488901 | LABEL, INSIGNIA, FCC | S | L |
| 55 | 1 | 8039501 | LABEL, WARNING, TRIANGLE | S | L |
| 56 | 1 | 9464899 | LABEL, SS-CP PLACARD, LH | S | L |
| 57 | 1 | 9436701 | CAP, TOWER, TOP, PLASTIC | S | - |
| 58 | 1 | 1000016-0101 | PAD, SEAT SADDLE BLK, DBL STITCH | S | L |
| | | 1000016-0001 | PAD, SEAT SADDLE BLK, SNGL STITCH | | |
| | | 1000016-0199 | PAD, SEAT SADDLE CUS, DBL STITCH | | |
| | | 1000016-0099 | PAD, SEAT SADDLE CUS, SNGL STITCH | | |
| 59 | 1 | 8669401 | PIN, CABLE CLEVIS | S | L |
| 60 | 1 | 3221701 | E-RING, EXTERNAL 3/8 | S | L |
| 61 | 1 | 9480501 | LABEL; CHEST PRESS START | S | L |

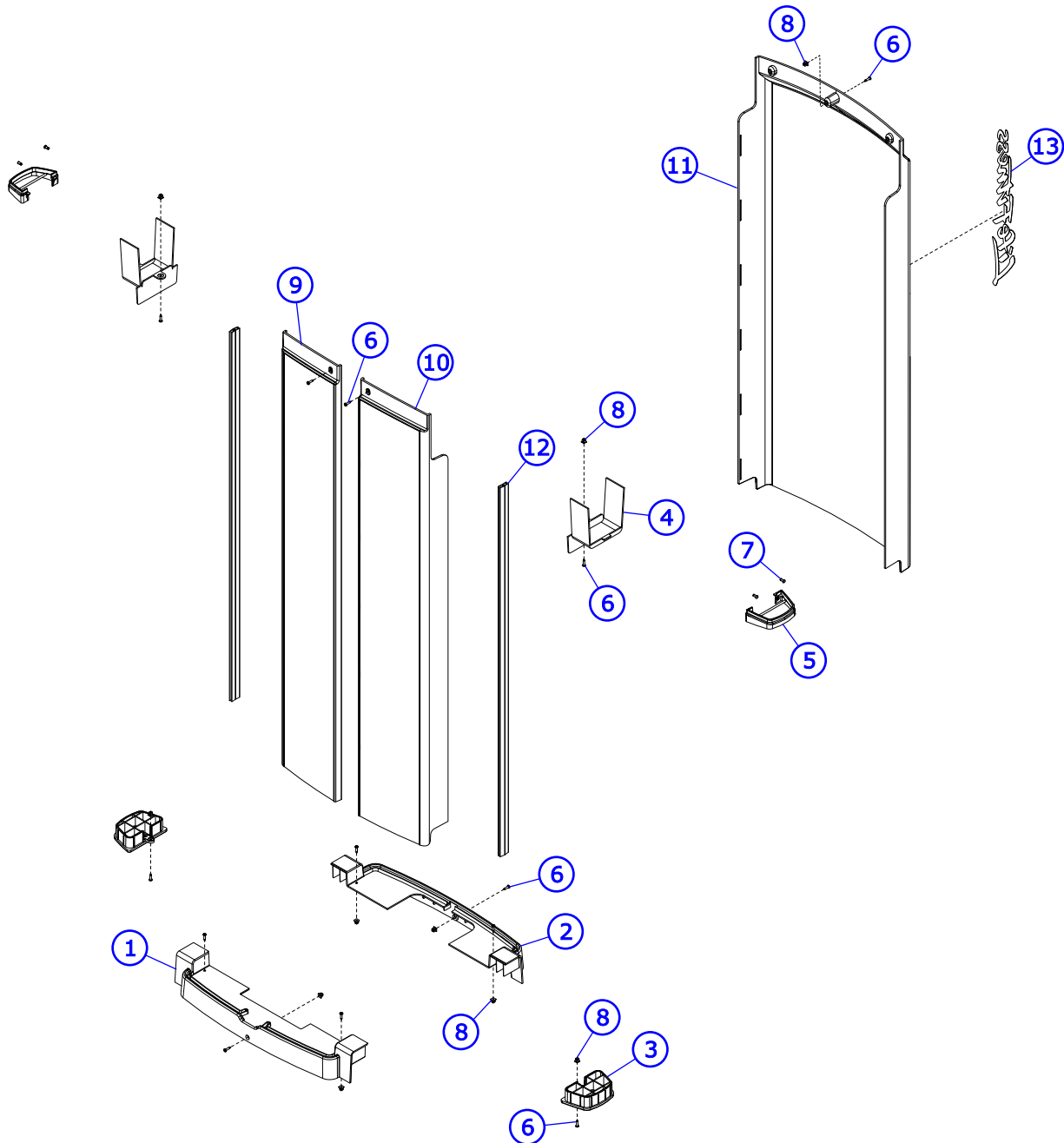
Insignia Series Chest Press

Seat Assembly



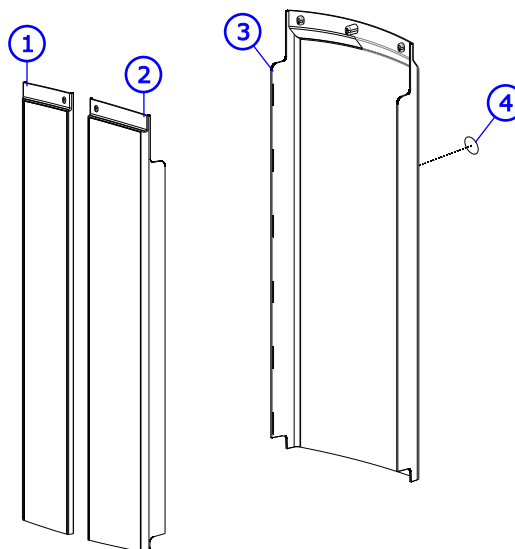
| ITEM NO. | QTY. | PART NO. | DESCRIPTION |
|----------|------|-----------------|--|
| 1 | 1 | 1000145-0001 | ADJUST BRKT, SS FF SEAT |
| 2 | 1 | 9401428 | WLDMT, SS-FRONT SEAT HANDLE CHR |
| 3 | 4 | 9365401 | SPRING, SPIRAL TORSION |
| 4 | 1 | 9401101 | PULLPIN, SS-SEAT |
| 5 | 1 | 9401001 | PLATE, SS-SEAT HANDLE CONNECT |
| 6 | 1 | 3239201 | SPRING, EXT, .375 X .049 X 2.00 |
| 7 | 4 | 9365228 | SEAT LINK, CAST, CHR |
| 8 | 1 | 9402201 | GUARD, SS-SEAT |
| 9 | 1 | 9402503 | HANDLE, SS-SEAT |
| 10 | 4 | 9402801 | RING, SS-SEAT |
| 11 | 4 | 9448401 | SHAFT, SS-SEAT, 15MM |
| 12 | 1 | 7776501 | SHAFT, .625 X .406 X 1.200 |
| 13 | 8 | 3275004 | BEARING, FLANGE, METRIC 15MM |
| 14 | 2 | 7407501 | PIN, LINK |
| 15 | 3 | 7407502 | PIN, LINK |
| 16 | 10 | 3232401 | RING, RETAINING, EXTERNAL |
| 17 | 2 | 7776401 | SPACER, FLANGE .406 X .495 X .81 |
| 18 | 6 | 0017-00101-1587 | RVT 201X0413X.354 T NY NO |
| 19 | 8 | 0017-00042-1147 | GROMMET: SCREW; 8 OR 10 |
| 20 | 8 | 3275801 | SCREW, 8 X 3/4 DIN PHL PAN AB ST ZB |
| 21 | 8 | 3276202 | SCREW, M8 X1.25 X 25MM |
| 22 | 4 | 3251202 | SCREW, M10 X1.5 X 25MM UNS HEX CS ST ZN |
| 23 | 1 | 3275508 | SCREW, M10 X 1.5 X 55 SHCS, LOW HEAD -NO PATCH |
| 24 | 8 | 3239502 | WSH, .312 IN-D ST ZN |
| 25 | 4 | 3236601 | WASHER, 3/8 SAE SS |
| 26 | 1 | 3236801 | NUT, M10 HEX NYLOCK SS |
| 27 | 1 | 3110010 | ROLL PIN, 1/8 X 7/8 |
| 28 | 1 | 9485701 | PAINT GUARD, PIN HOUSING |
| 29 | 1 | 9480601 | LABEL; SEAT POSITION, LARGE |

Insignia Series Chest Press Tower Plastics



| ITEM NO. | QTY. | PART NO. | DESCRIPTION |
|----------|------|-----------------|-------------------------------------|
| 1 | 1 | 9410801 | COVER, TOWER BOTTOM -FRONT |
| 2 | 1 | 9411001 | COVER, TOWER BOTTOM -REAR |
| 3 | 2 | 9412701 | ASSY, TRAP TUBE, CAP, BOTTOM |
| 4 | 2 | 9415701 | COVER, UPPER CROSS MEMBER |
| 5 | 2 | 9415801 | GASKET, TRAP TUBE |
| 6 | 13 | 3275801 | SCREW, 8 X 3/4 DIN PHL PAN AB ST ZB |
| 7 | 4 | 0017-00101-1587 | RVT 201X0413X.354 T NY NO |
| 8 | 11 | 0017-00042-1147 | GROMMET: SCREW; 8 OR 10 |
| 9 | 1 | 9410601 | SHROUD, TOWER FRONT, LT - SHORT |
| 10 | 1 | 9410701 | SHROUD, TOWER FRONT, RT - SHORT |
| 11 | 1 | 9411101 | SHROUD, TOWER REAR - SHORT |
| 12 | 2 | 9414601 | SHROUD EXTRUSION - SHORT |
| 13 | 1 | 9489101 | LABEL, LIFE FITNESS |

Insignia Series Chest Press Shroud Wraps



| BAMBOO | DATE MADE | SERIAL # | ITEM | QTY. | PART NO. | DESCRIPTION |
|--------|----------------------|--------------------------|------|------|--------------|-----------------------------------|
| | 1/1/2015 - 3/31/2016 | PRIOR TO SS-XX0416001 | 1 | 1 | 9511802 | SHROUD, SS, FNT, LT, SRT-BAM |
| | | | 2 | 1 | 9511702 | SHROUD, SS, FNT, RT, SRT-BAM |
| | | | 3 | 1 | 9511902 | SHROUD, SS, REAR, SRT-BAM |
| | 4/01/2016 - PRESENT | ON OR AFTER SS-XX0416001 | 1 | 1 | 1003204-0002 | SHROUD, SS, FNT, LT, SRT, ABS-BAM |
| | | | 2 | 1 | 1003203-0002 | SHROUD, SS, FNT, RT, SRT, ABS-BAM |
| | | | 3 | 1 | 1003205-0002 | SHROUD, SS, REAR, SRT, ABS-BAM |

| SKY | DATE MADE | SERIAL # | ITEM | QTY. | PART NO. | DESCRIPTION |
|-----|----------------------|--------------------------|------|------|--------------|-----------------------------------|
| | 1/1/2015 - 3/31/2016 | PRIOR TO SS-XX0416001 | 1 | 1 | 9511803 | SHROUD, SS, FNT, LT, SRT-SKY |
| | | | 2 | 1 | 9511703 | SHROUD, SS, FNT, RT, SRT-SKY |
| | | | 3 | 1 | 9511903 | SHROUD, SS, REAR, SRT-SKY |
| | 4/01/2016 - PRESENT | ON OR AFTER SS-XX0416001 | 1 | 1 | 1003204-0003 | SHROUD, SS, FNT, LT, SRT, ABS-SKY |
| | | | 2 | 1 | 1003203-0003 | SHROUD, SS, FNT, RT, SRT, ABS-SKY |
| | | | 3 | 1 | 1003205-0003 | SHROUD, SS, REAR, SRT, ABS-SKY |

| BRONZE | DATE MADE | SERIAL # | ITEM | QTY. | PART NO. | DESCRIPTION |
|--------|----------------------|--------------------------|------|------|--------------|-----------------------------------|
| | 1/1/2015 - 3/31/2016 | PRIOR TO SS-XX0416001 | 1 | 1 | 9511804 | SHROUD, SS, FNT, LT, SRT-BRZ |
| | | | 2 | 1 | 9511704 | SHROUD, SS, FNT, RT, SRT-BRZ |
| | | | 3 | 1 | 9511904 | SHROUD, SS, REAR, SRT-BRZ |
| | 4/01/2016 - PRESENT | ON OR AFTER SS-XX0416001 | 1 | 1 | 1003204-0004 | SHROUD, SS, FNT, LT, SRT, ABS-BRZ |
| | | | 2 | 1 | 1003203-0004 | SHROUD, SS, FNT, RT, SRT, ABS-BRZ |
| | | | 3 | 1 | 1003205-0004 | SHROUD, SS, REAR, SRT, ABS-BRZ |

| STEM | DATE MADE | SERIAL # | ITEM | QTY. | PART NO. | DESCRIPTION |
|------|----------------------|--------------------------|------|------|--------------|-----------------------------------|
| | 1/1/2015 - 3/31/2016 | PRIOR TO SS-XX0416001 | 1 | 1 | 9511805 | SHROUD, SS, FNT, LT, SRT-STM |
| | | | 2 | 1 | 9511705 | SHROUD, SS, FNT, RT, SRT-STM |
| | | | 3 | 1 | 9511905 | SHROUD, SS, REAR, SRT-STM |
| | 4/01/2016 - PRESENT | ON OR AFTER SS-XX0416001 | 1 | 1 | 1003204-0005 | SHROUD, SS, FNT, LT, SRT, ABS-STM |
| | | | 2 | 1 | 1003203-0005 | SHROUD, SS, FNT, RT, SRT, ABS-STM |
| | | | 3 | 1 | 1003205-0005 | SHROUD, SS, REAR, SRT, ABS-STM |

| ROSEWOOD | DATE MADE | SERIAL # | ITEM | QTY. | PART NO. | DESCRIPTION |
|----------|----------------------|--------------------------|------|------|--------------|-----------------------------------|
| | 1/1/2015 - 3/31/2016 | PRIOR TO SS-XX0416001 | 1 | 1 | 9511806 | SHROUD, SS, FNT, LT, SRT-RSW |
| | | | 2 | 1 | 9511706 | SHROUD, SS, FNT, RT, SRT-RSW |
| | | | 3 | 1 | 9511906 | SHROUD, SS, REAR, SRT-RSW |
| | 4/01/2016 - PRESENT | ON OR AFTER SS-XX0416001 | 1 | 1 | 1003204-0006 | SHROUD, SS, FNT, LT, SRT, ABS-RSW |
| | | | 2 | 1 | 1003203-0006 | SHROUD, SS, FNT, RT, SRT, ABS-RSW |
| | | | 3 | 1 | 1003205-0006 | SHROUD, SS, REAR, SRT, ABS-RSW |

| STAINLESS STEEL | DATE MADE | SERIAL # | ITEM | QTY. | PART NO. | DESCRIPTION |
|-----------------|----------------------|--------------------------|------|------|--------------|----------------------------------|
| | 1/1/2015 - 3/31/2016 | PRIOR TO SS-XX0416001 | 1 | 1 | 9511807 | SHROUD, SS, FNT, LT, SRT-SS |
| | | | 2 | 1 | 9511707 | SHROUD, SS, FNT, RT, SRT-SS |
| | | | 3 | 1 | 9511907 | SHROUD, SS, REAR, SRT-SS |
| | 4/01/2016 - PRESENT | ON OR AFTER SS-XX0416001 | 1 | 1 | 1003204-0007 | SHROUD, SS, FNT, LT, SRT, ABS-SS |
| | | | 2 | 1 | 1003203-0007 | SHROUD, SS, FNT, RT, SRT, ABS-SS |
| | | | 3 | 1 | 1003205-0007 | SHROUD, SS, REAR, SRT, ABS-SS |

| PREMIUM STAINLESS STEEL | DATE MADE | SERIAL # | ITEM | QTY. | PART NO. | DESCRIPTION |
|-------------------------|---------------------|--------------------------|------|------|--------------|-----------------------------------|
| | 4/01/2016 - PRESENT | ON OR AFTER SS-XX0416001 | 1 | 1 | 1003204-0008 | SHROUD, SS, FNT, LT, SRT, ABS-PSS |
| | | | 2 | 1 | 1003203-0008 | SHROUD, SS, FNT, RT, SRT, ABS-PSS |
| | | | 3 | 1 | 1003205-0008 | SHROUD, SS, REAR, SRT, ABS-PSS |

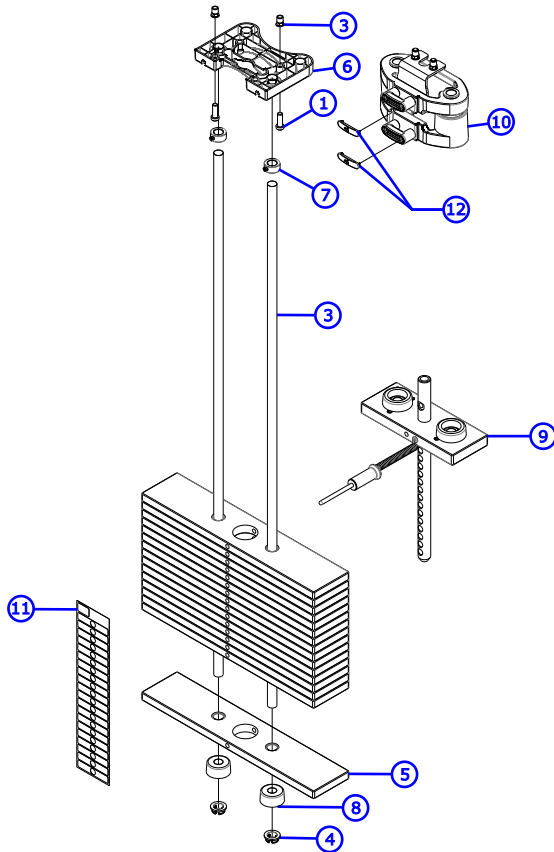
| PREMIUM BLACK CARBON FIBER | DATE MADE | SERIAL # | ITEM | QTY. | PART NO. | DESCRIPTION |
|----------------------------|---------------------|--------------------------|------|------|--------------|------------------------------------|
| | 4/01/2016 - PRESENT | ON OR AFTER SS-XX0416001 | 1 | 1 | 1003204-0009 | SHROUD, SS, FNT, LT, SRT, ABS-PBCF |
| | | | 2 | 1 | 1003203-0009 | SHROUD, SS, FNT, RT, SRT, ABS-PBCF |
| | | | 3 | 1 | 1003205-0009 | SHROUD, SS, REAR, SRT, ABS-PBCF |

| | | | |
|---|---|-----------------|-------------------------|
| 4 | 1 | AK58-00245-2401 | MEDALLION-ASSY;LF-BUG B |
|---|---|-----------------|-------------------------|

Insignia Series Chest Press

Weight Stack Assemblies

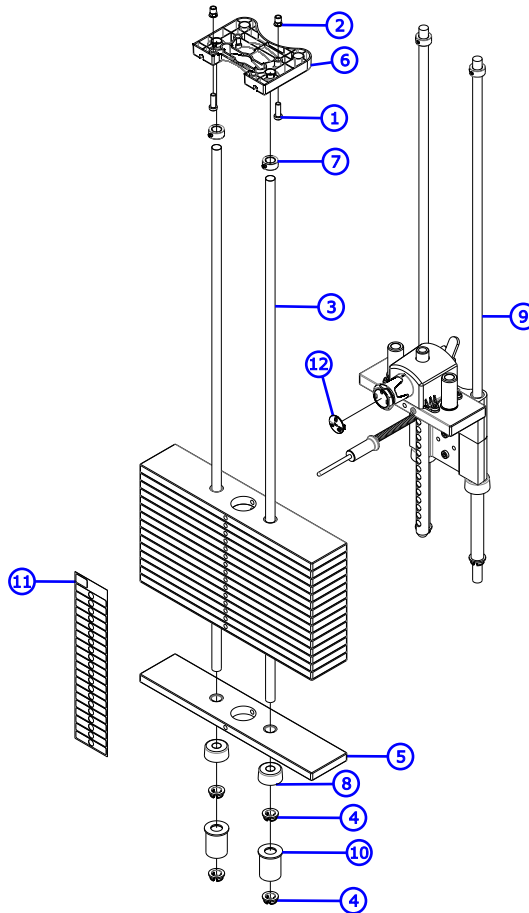
T - Base



Uses 9343303 Cable (154.25")

| ITEM NO. | QTY. | PART NO. | DESCRIPTION |
|----------|------|-------------|-------------------------------------|
| 1 | 2 | 3236203 | SCREW, M10 X1.5 30MM |
| 2 | 2 | 3238601 | M10X1.5 BLIND THREADED INSERT (HEX) |
| 3 | 2 | 7328612 | GUIDE ROD, .75 OD SOLID 50.36 |
| 4 | 2 | 7337901 | BUSHING, GUIDE ROD |
| 5 | 16 | 9407601 | WGT PL, 3/4IN X 4IN, 15 LB |
| 6 | 1 | 9412801 | RETAINER, GUIDE ROD - TOP |
| 7 | 2 | 3103301 | SHAFT COLLAR, 3/4 IN ID |
| 8 | 2 | 7352101 | CUSHION, WEIGHT STACK |
| 9 | 1 | SEE PAGE 14 | HEAD PLATE ASSY |
| 10 | 1 | SEE PAGE 14 | INCREMENTAL WEIGHTS |
| 11 | 1 | 9475301 | LABEL, 3/4 IN WGT STACK, 295 LB |
| | | 9475201 | LABEL, 3/4 IN WGT STACK, 147.5 KG |
| 12 | 2 | 9462303 | CAP, DD INC WGT, YEL -LBS |
| | | 9462403 | CAP, DD INC WGT, YEL -KG |

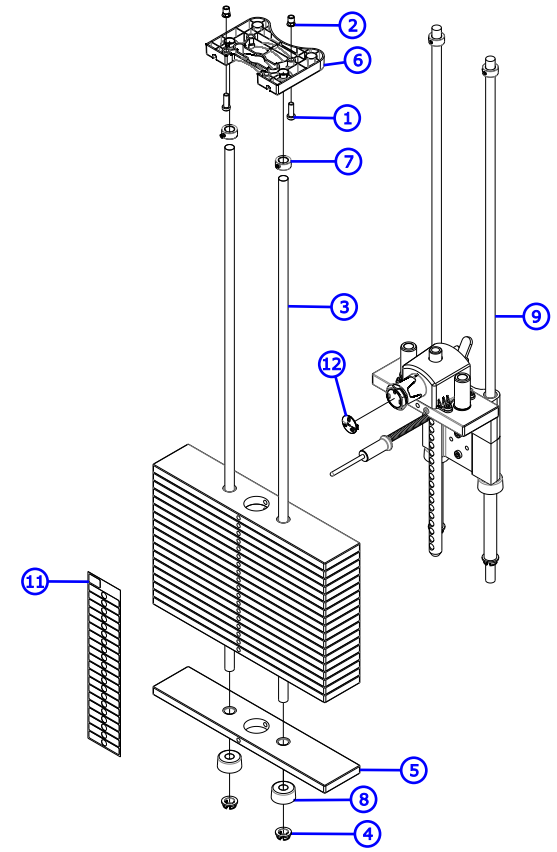
C - Light



Uses 9343304 Cable (152")

| ITEM NO. | QTY. | PART NO. | DESCRIPTION |
|----------|------|-------------|-------------------------------------|
| 1 | 2 | 3236203 | SCREW, M10 X1.5 30MM |
| 2 | 2 | 3238601 | M10X1.5 BLIND THREADED INSERT (HEX) |
| 3 | 2 | 7328612 | GUIDE ROD, .75 OD SOLID 50.36 |
| 4 | 4 | 7337901 | BUSHING, GUIDE ROD |
| 5 | 16 | 9407601 | WGT PL, 3/4IN X 4IN, 15 LB |
| 6 | 1 | 9412801 | RETAINER, GUIDE ROD - TOP |
| 7 | 2 | 3103301 | SHAFT COLLAR, 3/4 IN ID |
| 8 | 2 | 7352101 | CUSHION, WEIGHT STACK |
| 9 | 1 | SEE PAGE 15 | HEAD PLATE/RODS ASSY |
| 10 | 2 | 9495912 | WLDMT, WGT STK SPACER X 2.25 -CHR |
| 11 | 1 | 9475301 | LABEL, 3/4 IN WGT STACK, 295 LB |
| | | 9475201 | LABEL, 3/4 IN WGT STACK, 147.5 KG |
| | | 9431403 | CAP, SELECTOR KNOB -LBS |
| 12 | 1 | 9450103 | CAP, SELECTOR KNOB -KGS |

X - Heavy



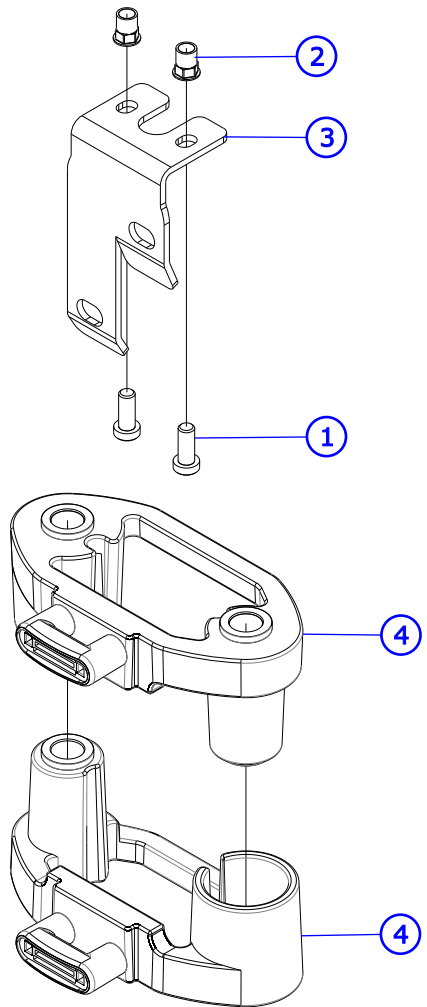
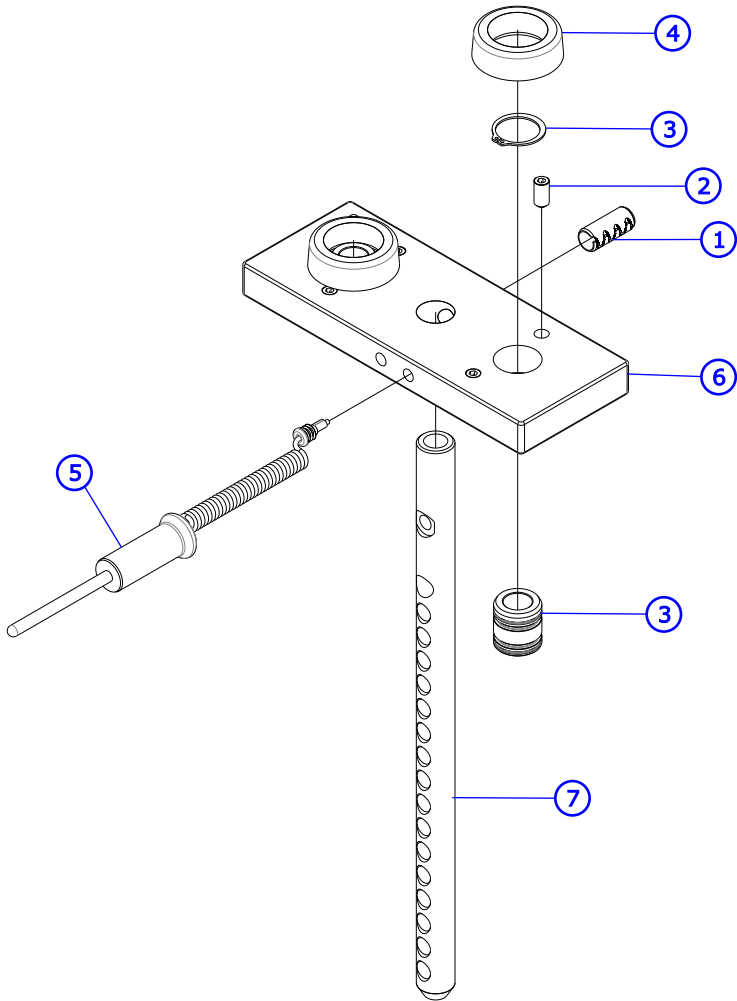
Uses 9343304 Cable (152")

| ITEM NO. | QTY. | PART NO. | DESCRIPTION |
|----------|------|-------------|-------------------------------------|
| 1 | 2 | 3236203 | SCREW, M10 X1.5 30MM |
| 2 | 2 | 3238601 | M10X1.5 BLIND THREADED INSERT (HEX) |
| 4 | 2 | 7328612 | GUIDE ROD, .75 OD SOLID 50.36 |
| 5 | 2 | 7337901 | BUSHING, GUIDE ROD |
| 6 | 19 | 9407601 | WGT PL, 3/4IN X 4IN, 15 LB |
| 7 | 1 | 9412801 | RETAINER, GUIDE ROD - TOP |
| 8 | 2 | 3103301 | SHAFT COLLAR, 3/4 IN ID |
| 9 | 2 | 7352101 | CUSHION, WEIGHT STACK |
| 10 | 1 | SEE PAGE 15 | HEAD PLATE/RODSASSY |
| 11 | 1 | 9475301 | LABEL, 3/4 IN WGT STACK, 295 LB |
| | | 9475201 | LABEL, 3/4 IN WGT STACK, 147.5 KG |
| | | 9431403 | CAP, SELECTOR KNOB -LBS |
| 12 | 1 | 9450103 | CAP, SELECTOR KNOB -KGS |

Insignia Series Chest Press

T Trim Head Plate and Drop Down Increment Weights

T Trim



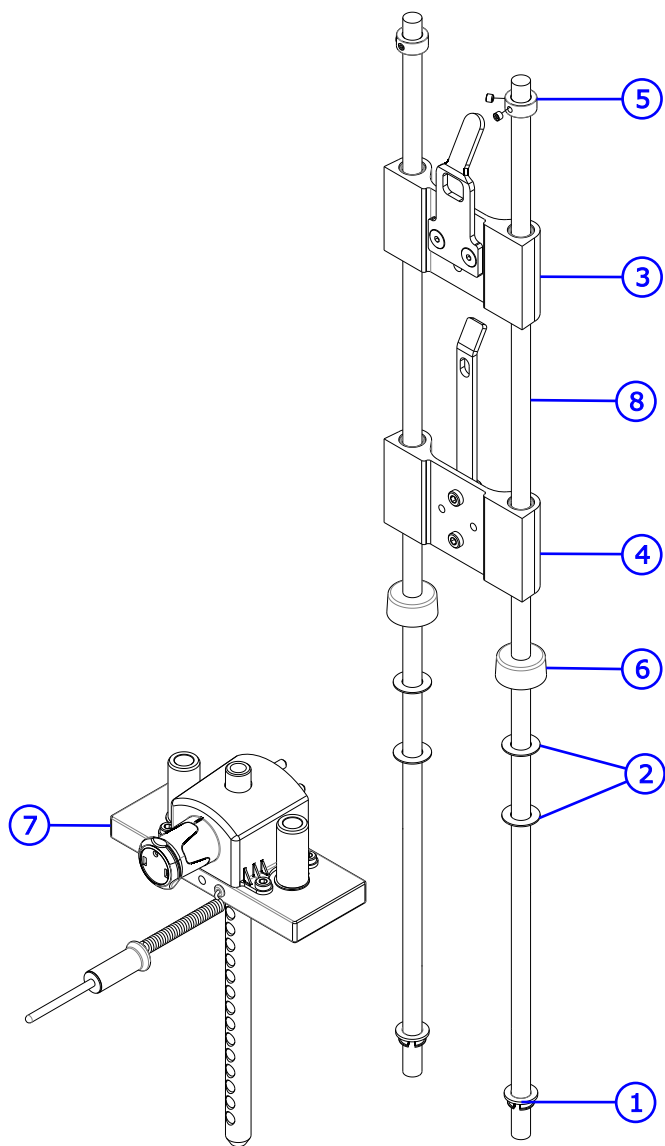
| ITEM NO. | QTY. | PART NO. | DESCRIPTION |
|----------|------|--------------|------------------------------------|
| 1 | 1 | 3236001 | BUSHING, SPRING PIN |
| 2 | 4 | 3240501 | M10 X 1.5 HXS NO CUP ST BO |
| 3 | 2 | 7338001 | BUSHING, HEADPLATE |
| 4 | 2 | 7767602 | BUMPER, INCREMENT WT -BLK |
| 5 | 1 | 1003679-0003 | ASSY, WGT STK SELECTOR PIN -YELLOW |
| 6 | 1 | 9427401 | HEADPLATE, WT. STACK, 10LB |
| 7 | 1 | 9434202 | BAYONET, 16 PLATE |

| ITEM NO. | QTY. | PART NO. | DESCRIPTION |
|----------|------|----------|-------------------------------------|
| 1 | 2 | 3236202 | SCREW, M10 X1.5 25MM |
| 2 | 2 | 3238601 | M10X1.5 BLIND THREADED INSERT (HEX) |
| 3 | 1 | 9430801 | BRKT, INC WGT STRIKER |
| 4 | 2 | 9455403 | ASSY, DD INC WGT -YEL |

Insignia Series Chest Press

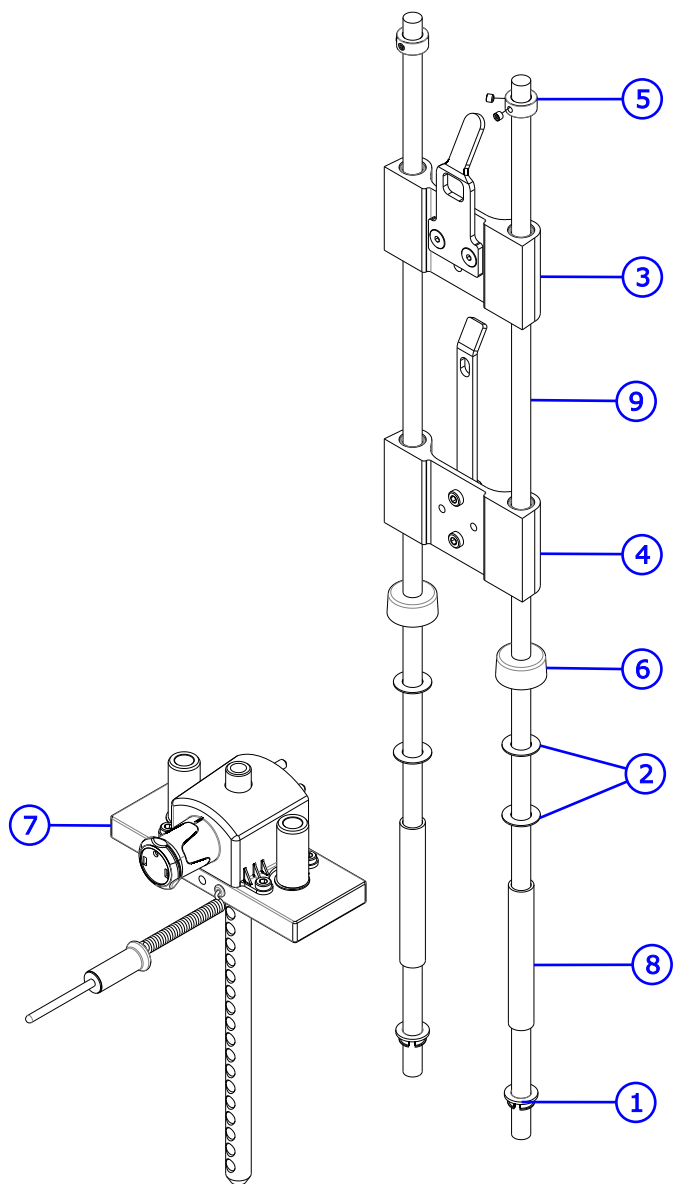
C and X Trim Stack Components

C Trim



| ITEM NO. | QTY. | PART NO. | DESCRIPTION |
|----------|------|-------------|-------------------------------------|
| 1 | 2 | 7337901 | BUSHING, GUIDE ROD |
| 2 | 4 | 7351001 | SPACER, INC WT STACK |
| 3 | 1 | SEE PAGE 17 | ASSY, INC WGT -5LB |
| 4 | 1 | SEE PAGE 17 | ASSY, INC WGT -10LB |
| 5 | 2 | 3103301 | SHAFT COLLAR, 3/4 IN ID |
| 6 | 2 | 7352101 | CUSHION, WEIGHT STACK |
| 7 | 1 | SEE PAGE 16 | ASSY, SS, HEAD PLATE, DIAL, STD -16 |
| 8 | 2 | 7328612 | GUIDE ROD, .75 OD SOLID X 50.36 |

X Trim

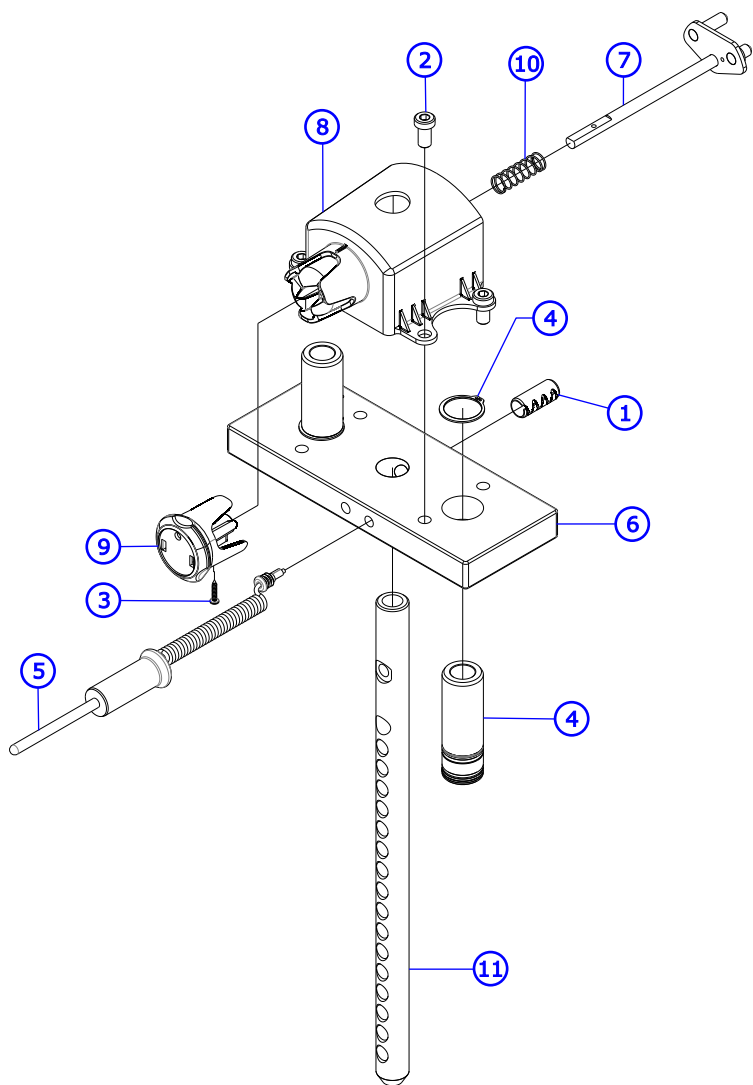


| ITEM NO. | QTY. | PART NO. | DESCRIPTION |
|----------|------|-------------|---------------------------------|
| 1 | 2 | 7337901 | BUSHING, GUIDE ROD |
| 2 | 4 | 7351001 | SPACER, INC WT STACK |
| 3 | 1 | SEE PAGE 17 | ASSY, INC WGT -5LB |
| 4 | 1 | SEE PAGE 17 | ASSY, INC WGT -10LB |
| 5 | 2 | 3103301 | SHAFT COLLAR, 3/4 IN ID |
| 6 | 2 | 7352101 | CUSHION, WEIGHT STACK |
| 7 | 1 | SEE PAGE 16 | ASSY, SS, HEAD PLATE, HVY -19 |
| 8 | 2 | 7328704 | SPACER, INC WT STACK 19 PLATE |
| 9 | 2 | 7328612 | GUIDE ROD, .75 OD SOLID X 50.36 |

Insignia Series Chest Press

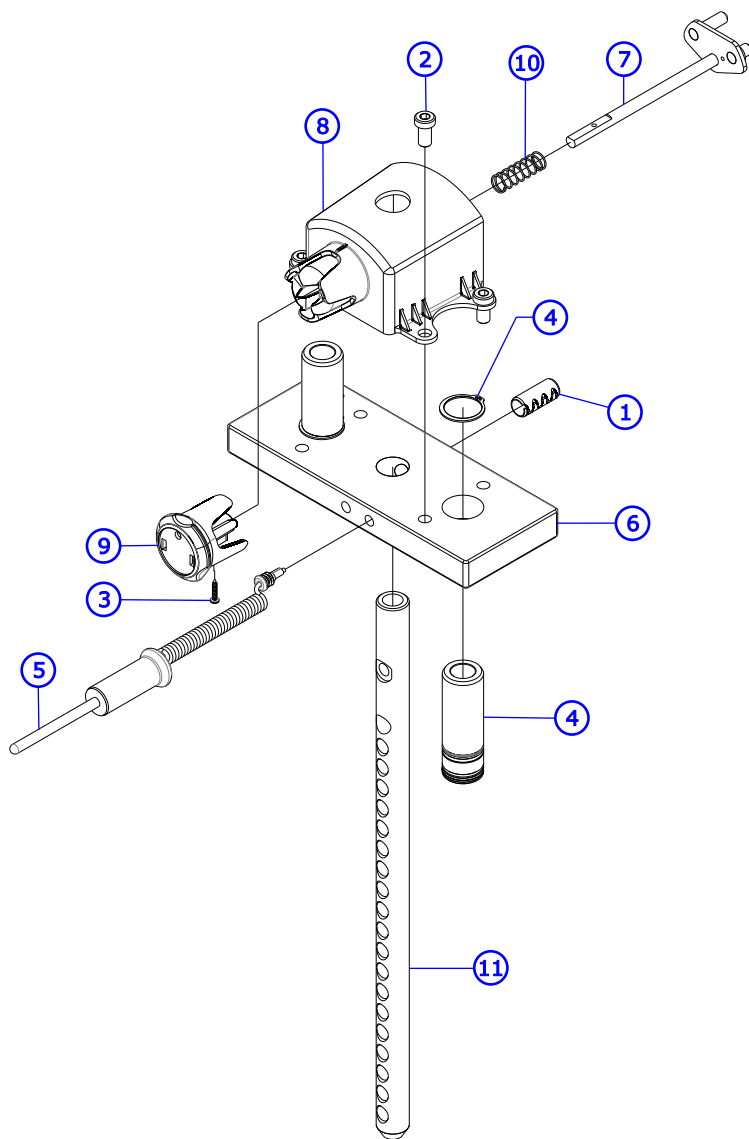
C and X Trim Head Plate Assemblies

C Trim



| ITEM NO. | QTY. | PART NO. | DESCRIPTION |
|----------|------|--------------|-------------------------------------|
| 1 | 1 | 3236001 | BUSHING, SPRING PIN |
| 2 | 4 | 3236201 | SCREW, M10 X1.5 20MM |
| 3 | 1 | 3275601 | SCREW, 6 X 3/4 DIN PHL PAN AB ST ZB |
| 4 | 2 | 9296001 | BUSHING, HEADPLATE, LONG |
| 5 | 1 | 1003679-0003 | ASSY, WGT STK SELECTOR PIN -YELLOW |
| 6 | 1 | 9427401 | HEADPLATE, WT. STACK, 10LB |
| 7 | 1 | 9427501 | WLDMT, INC WGT PIN |
| 8 | 1 | 9430501 | HSNG, INC WEIGHT |
| 9 | 1 | 9443201 | KNOB, INC WEIGHT |
| 10 | 1 | 9443301 | SPRING, INC WGT PIN |
| 11 | 1 | 9434202 | BAYONET, 16 PLATE |

X Trim

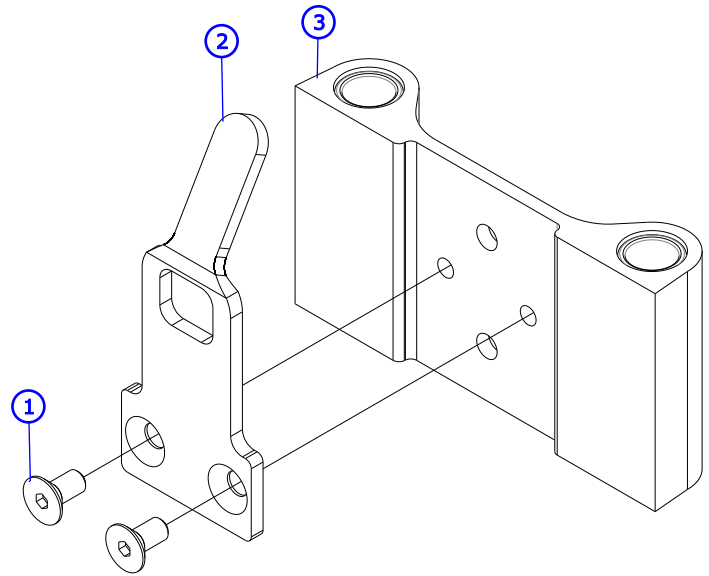


| ITEM NO. | QTY. | PART NO. | DESCRIPTION |
|----------|------|--------------|-------------------------------------|
| 1 | 1 | 3236001 | BUSHING, SPRING PIN |
| 2 | 4 | 3236201 | SCREW, M10 X1.5 20MM |
| 3 | 1 | 3275601 | SCREW, 6 X 3/4 DIN PHL PAN AB ST ZB |
| 4 | 2 | 9296001 | BUSHING, HEADPLATE, LONG |
| 5 | 1 | 1003679-0003 | ASSY, WGT STK SELECTOR PIN -YELLOW |
| 6 | 1 | 9427401 | HEADPLATE, WT. STACK, 10LB |
| 7 | 1 | 9427501 | WLDMT, INC WGT PIN |
| 8 | 1 | 9430501 | HSNG, INC WEIGHT |
| 9 | 1 | 9443201 | KNOB, INC WEIGHT |
| 10 | 1 | 9443301 | SPRING, INC WGT PIN |
| 11 | 1 | 9426002 | BAYONET, 19 PLATE |

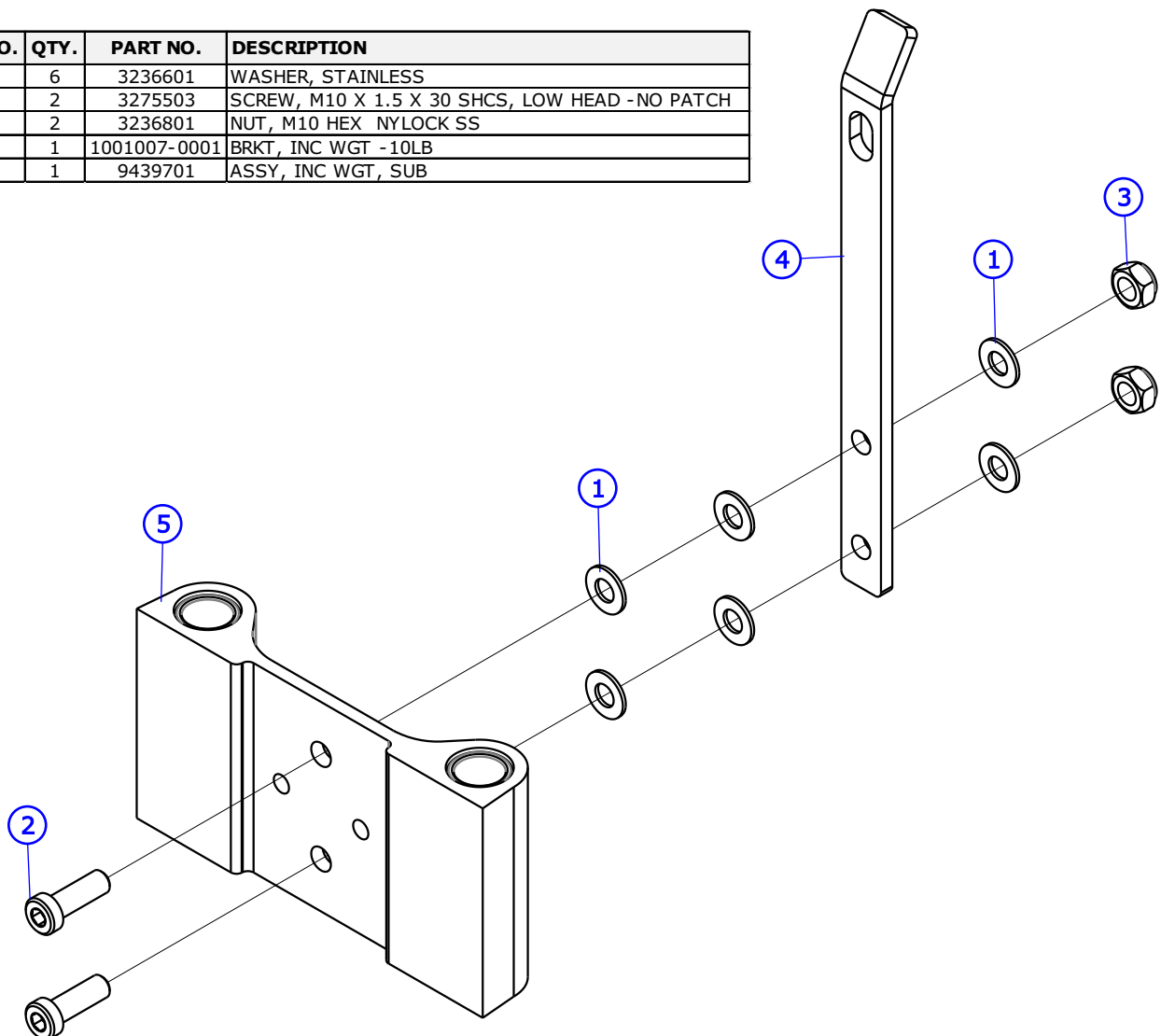
Insignia Series Chest Press

C and X Trim Incremental Weights

| ITEM NO. | QTY. | PART NO. | DESCRIPTION |
|----------|------|----------|---------------------|
| 1 | 2 | 3238301 | M10x1.5x20mm |
| 2 | 1 | 9428201 | BRKT, INC WGT -5 LB |
| 3 | 1 | 9439701 | ASSY, INC WGT, SUB |

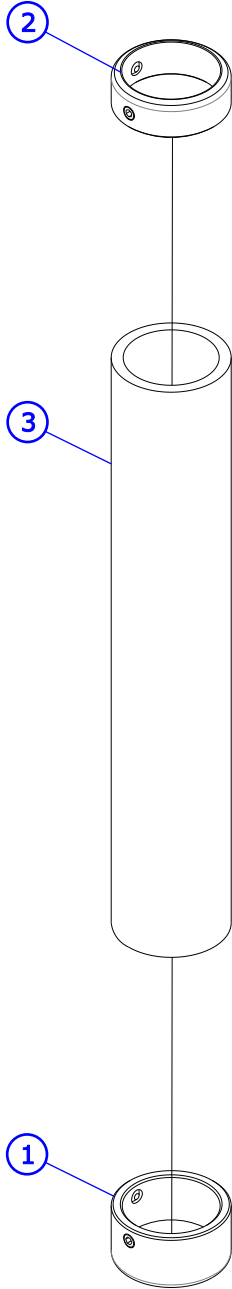


| ITEM NO. | QTY. | PART NO. | DESCRIPTION |
|----------|------|--------------|--|
| 1 | 6 | 3236601 | WASHER, STAINLESS |
| 2 | 2 | 3275503 | SCREW, M10 X 1.5 X 30 SHCS, LOW HEAD -NO PATCH |
| 3 | 2 | 3236801 | NUT, M10 HEX NYLOCK SS |
| 4 | 1 | 1001007-0001 | BRKT, INC WGT -10LB |
| 5 | 1 | 9439701 | ASSY, INC WGT, SUB |



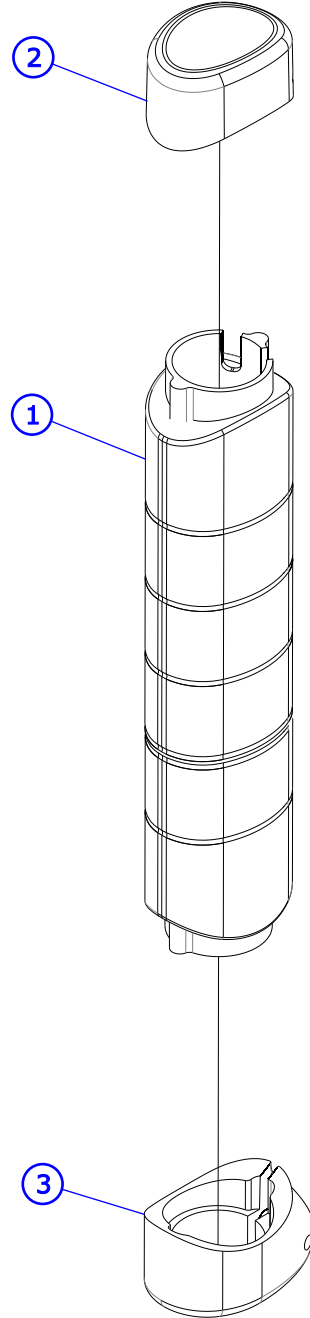
Insignia Series Chest Press Grip Assemblies

S Trim



| ITEM NO. | QTY. | PART NO. | DESCRIPTION |
|----------|------|----------|-------------------------------------|
| 1 | 1 | 7662901 | CAP, GRIP 1.25 OD |
| 2 | 1 | 7662801 | RING, GRIP |
| 3 | 1 | 3235806 | GRIP, 1.25 OD X .125 WALL, OPEN END |

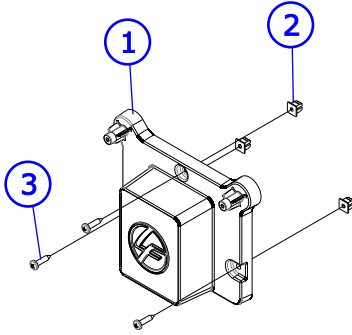
L Trim



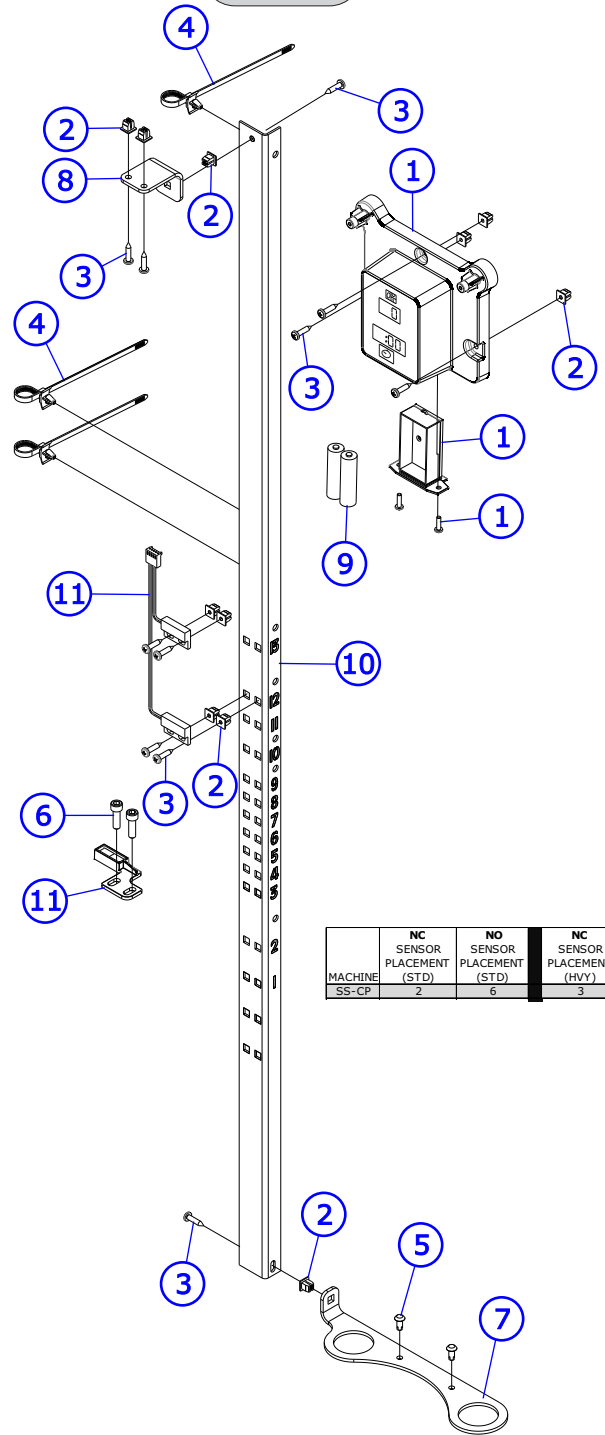
| ITEM NO. | QTY. | PART NO. | DESCRIPTION |
|----------|------|--------------|---------------------------|
| 1 | 1 | 9453002 | GRIP, ERGO, OVERMOLD, 9.0 |
| 2 | 1 | 1001761-0001 | ASSY, CAP, GRIP |
| 3 | 1 | 1001760-0001 | ASSY, COLLAR, ERGO GRIP |

Insignia Series Chest Press Sensor Assemblies

S Trim



L Trim



| MACHINE | NC SENSOR PLACEMENT (STD) | NO SENSOR PLACEMENT (STD) | NC SENSOR PLACEMENT (HVY) | NO SENSOR PLACEMENT (HVY) |
|---------|---------------------------|---------------------------|---------------------------|---------------------------|
| SS-CP | 2 | 6 | 3 | 9 |

| ITEM NO. | QTY. | PART NO. | DESCRIPTION |
|----------|------|-----------------|-------------------------------------|
| 1 | 1 | 9437401 | SS - ASSY, DISPLAY, BASE |
| 2 | 3 | 0017-00042-1147 | GROMMET: SCREW; 8 OR 10 |
| 3 | 3 | 3275801 | SCREW, 8 X 3/4 DIN PHL PAN AB ST ZB |

| ITEM NO. | QTY. | PART NO. | DESCRIPTION |
|----------|------|-----------------|-------------------------------------|
| 1 | 1 | 9417701 | ASSY, DISPLAY, COUNTER |
| 2 | 11 | 0017-00042-1147 | GROMMET: SCREW; 8 OR 10 |
| 3 | 11 | 3275801 | SCREW, 8 X 3/4 DIN PHL PAN AB ST ZB |
| 4 | 3 | 3276101 | GROMMET, CABLE TIE |
| 5 | 2 | 0017-00101-1587 | RVT 201X0413X.354 T NY NO |
| 6 | 2 | 3241701 | SCREW, M6 X1 20MM |
| 7 | 1 | 9432728 | BRKT, SS, SWITCH MNT -CHGR |
| 8 | 1 | 9434828 | BRKT, SS, SWITCH MNT |
| 9 | 2 | - | BATTERY, AA |
| 10 | 1 | 9434628 | BRKT, SS, SWITCH MNT, STD -CHR |
| 11 | 1 | 1000585-0001 | ASSY, SS, PROX SWITCH/MAGNET |