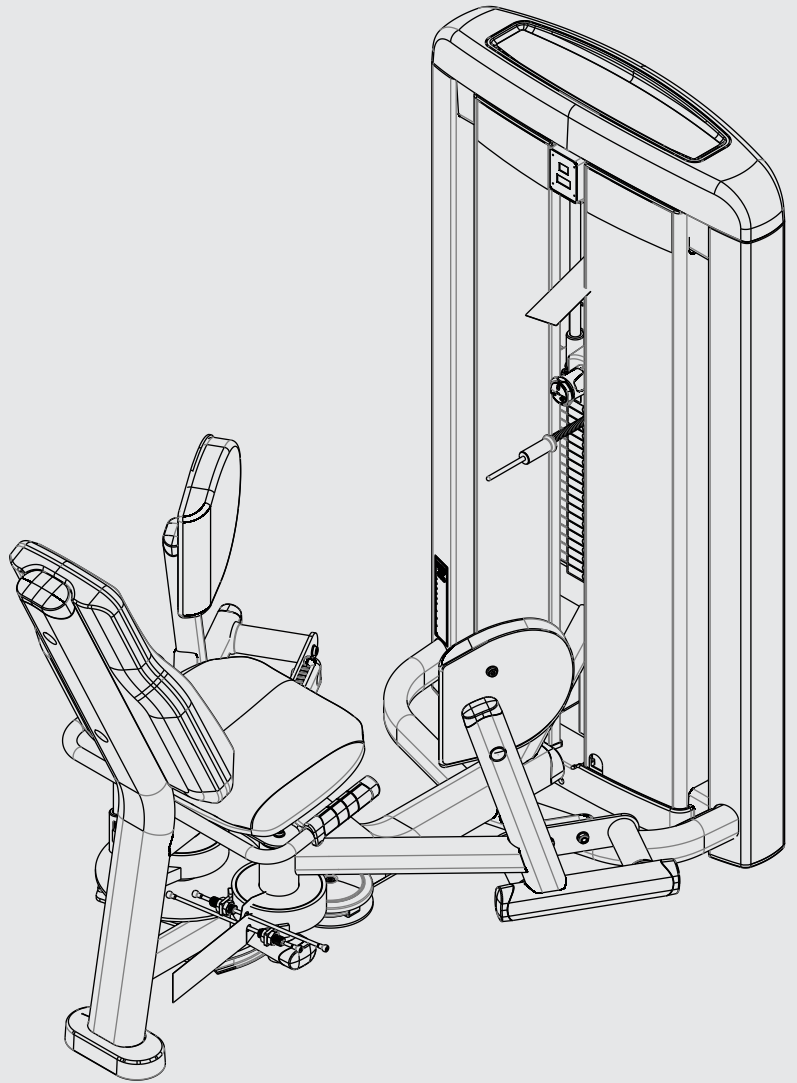


INSIGNIA SERIES

HIP ABDUCTOR

SS-HAB

PARTS MANUAL



Insignia Series Hip Abductor

Contents

Options and Key	3
Powder Coat Painted Frame Weldments	4
Component Assembly	5
Work Arm Components	6
Seat Components	7
Labels	8
Table	9
Tower Plastics	10
Shroud Wraps	11
Weight Stack Assemblies	12
T Trim Head Plate and Drop Down Increment Weights	13
C and X Trim Stack Components	14
C and X Trim Head Plate Assemblies	15
C and X Trim Incremental Weights	16
Grip Assemblies	17
Sensor Assemblies	18
Cable Routing	19

Insignia Series Hip Abductor

Options and Key

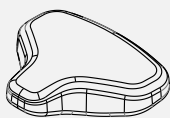
FRAME COLOR OPTION

SELECT POWDERCOAT COLOR

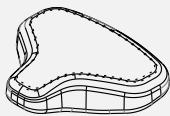
- BLACK
- BLUE
- CANDY APPLE RED
- CHARCOAL
- DIAMOND WHITE
- ELECTRIC BLUE
- ICE BLUE METALLIC
- MIDNIGHT METALLIC
- MOCHA SAND
- NICKEL
- PLATINUM
- RED
- TITANIUM
- WHITE
- YELLOW
- CUSTOM

UPHOLSTERY OPTION

SINGLE STITCH



DOUBLE STITCH



UPHOLSTERY COLOR OPTION

- AMERICAN BEAUTY RED
- AZURE
- BLACK
- BLACK CARBON FIBER
- BURGUNDY
- CANDLY APPLE RED
- CHESTNUT
- CONCORD
- CRANBERRY
- CROCUS
- DARK WALNUT
- DOVE GRAY
- EMERALD
- GRAPHITE
- GROTTO
- GUN METAL
- HUNTER GREEN
- IMPERIAL BLUE
- JADE
- NAVY
- NORTHWOODS GREEN
- PAPRIKA
- PLUM
- PUTTY
- REGIMENTAL BLUE
- ROYAL BLUE
- SLATE
- SPACE BLUE
- SUEDE
- TERRA COTTA
- TURQUOISE
- WHEAT
- CUSTOM

LANGUAGE OPTION

SELECT LANGUAGE

- 01 ENGLISH
- 02 GERMAN
- 03 FRENCH
- 04 SPANISH
- 05 ITALIAN
- 06 DUTCH
- 07 JAPANESE
- 08 PORTUGUESE
- 10 RUSSIAN
- 11 TURKISH
- 12 CHINESE
- 13 ARABIC

WEIGHT STACK OPTION

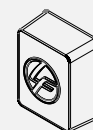
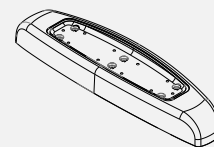
- T - BASE STACK
 - C - LIGHT STACK
 - X - HEAVY STACK
- POUNDS
- KILOGRAMS

SHROUD WRAP OPTION

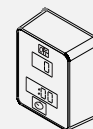
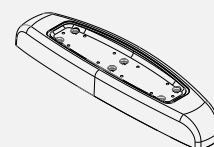
- BAMBOO
- BLACK CARBON FIBER
- BRONZE
- FULL SHROUD
- PREMIUM STAINLESS STEEL
- ROSEWOOD
- SKY
- STAINLESS STEEL
- STEM
- CUSTOM

TRIM OPTION

S
PLASTIC TOWER CAP
STANDARD GRIP
NO REP COUNTER



L
PAINTED CAST TOWER CAP
ERGO GRIP
REP COUNTER



KEY

LANGUAGE ① ② ③

Items with Black call-outs require the last two digits (XX) to be replaced with language codes listed above. IE: 12345XX should be 1234501 for English.

UPHOLSTERY ① ② ③

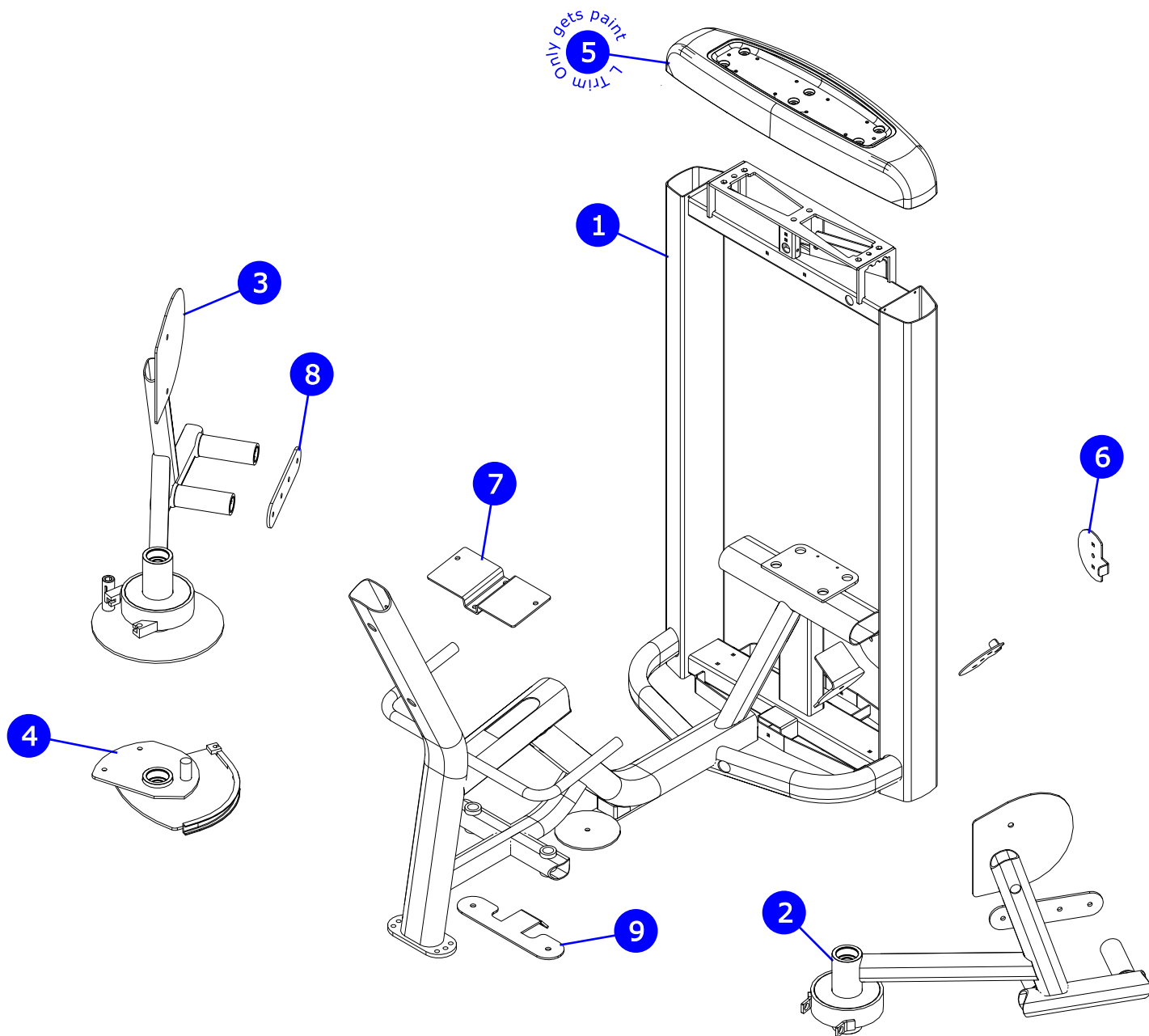
Items with Gray call-outs require the upholstery color within the order notes. IE: Putty.

FRAME COLOR ① ② ③

Items with Blue call-outs require the powder coat frame color to be within the order notes.

Insignia Series Hip Abductor

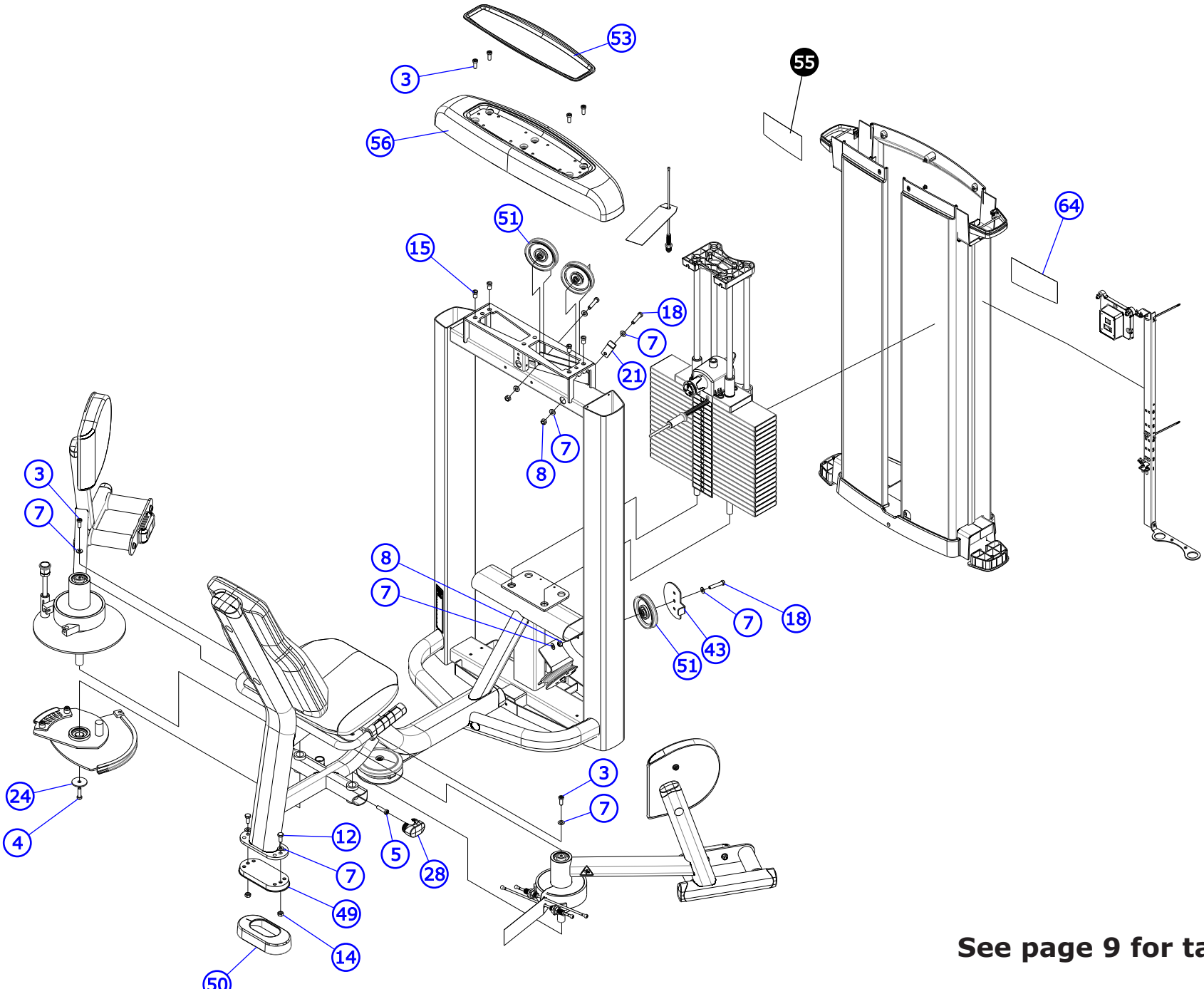
Powder Coat Painted Frame Weldments



ITEM NO.	QTY.	PART NO.	DESCRIPTION	TRIM	
1	1	POSSIBLE RMA	WLDMT, SS-HAD/HAB, FRAME	S	L
2	1	9441899	WLDMT, SS-HAB, PIVOT LEG - RT	S	L
3	1	9441999	WLDMT, SS-HAB, PIVOT LEG - LT	S	L
4	1	9482699	WLDMT, SS-HAB, CAM	S	L
5	1	9412699	CAP, SS, CAST	-	L
6	2	7730999	BRKT, COVER/CABLE RETAINER	S	L
7	1	7593499	BRACKET, FZ, SEAT	S	L
8	2	9441699	PLATE, SS-HAB, FOOT	S	L
9	1	9482799	BRKT, SS-HAD/HAB	S	L

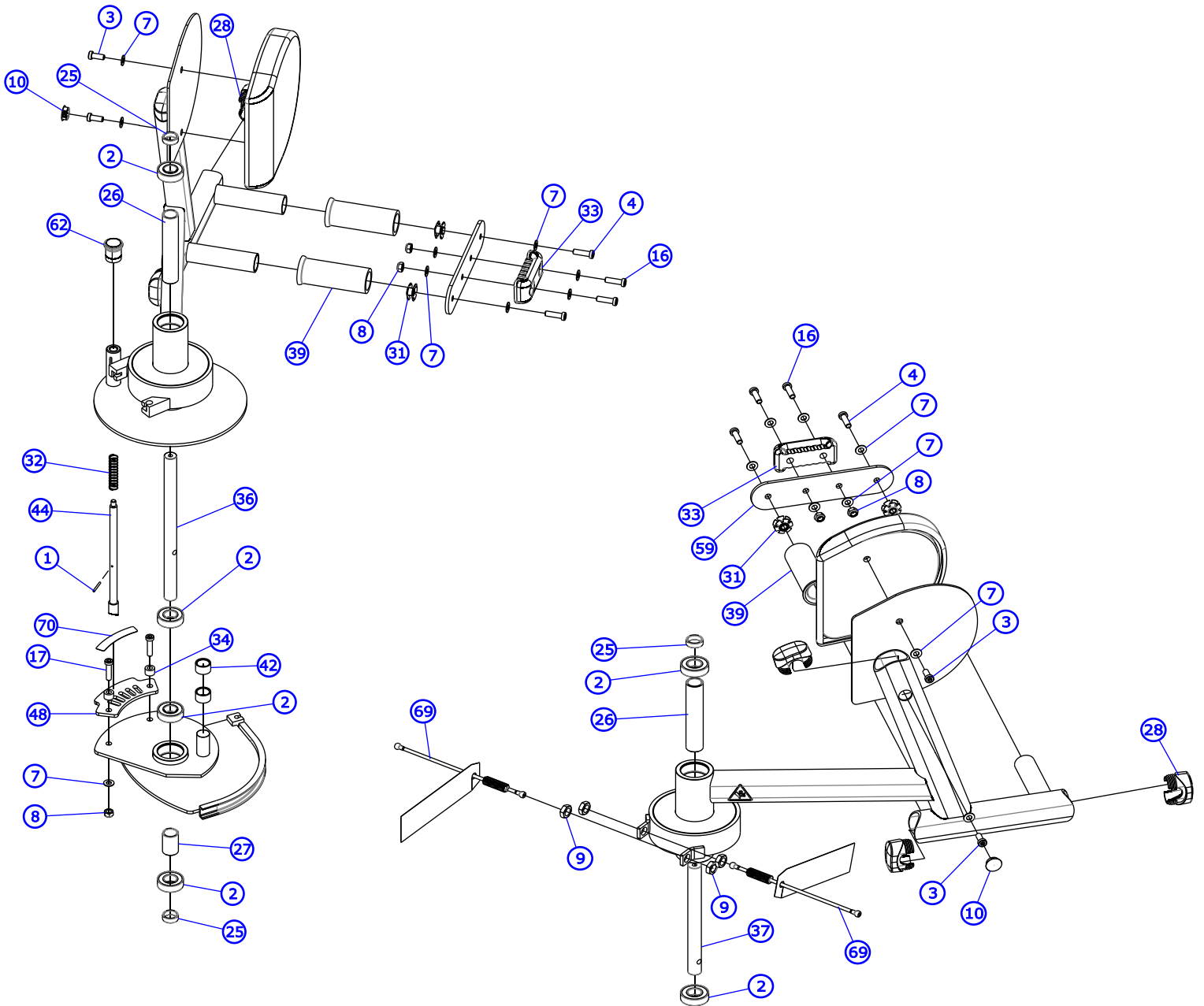
ITEMS ON THIS PAGE ARE POWDER COAT PAINTED. REFER TO PAGE 3 FOR ORDERING INSTRUCTIONS.

Insignia Series Hip Abductor Component Assembly



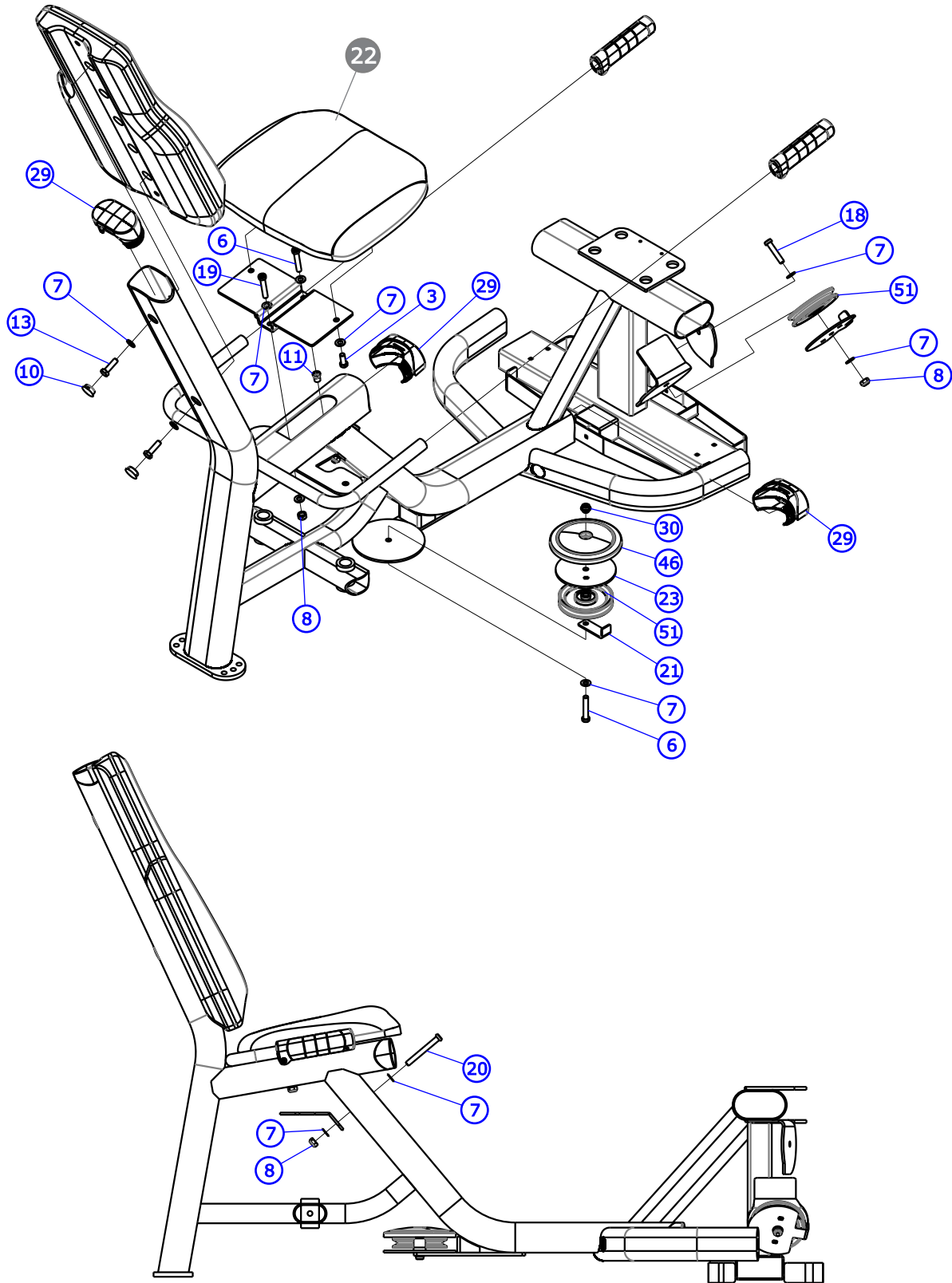
See page 9 for table

Insignia Series Abductor Work Arm Components



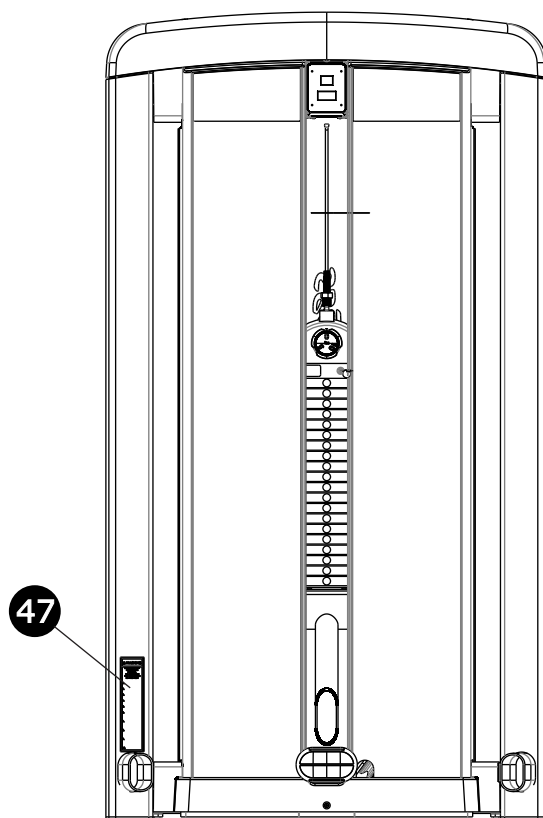
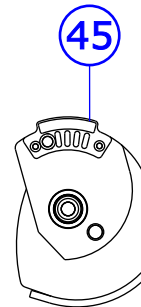
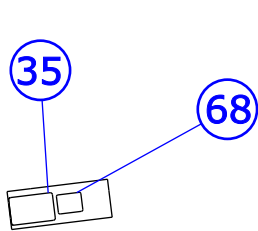
See page 9 for table

Insignia Series Abductor Seat Components



See page 9 for table

Insignia Series Abductor Labels



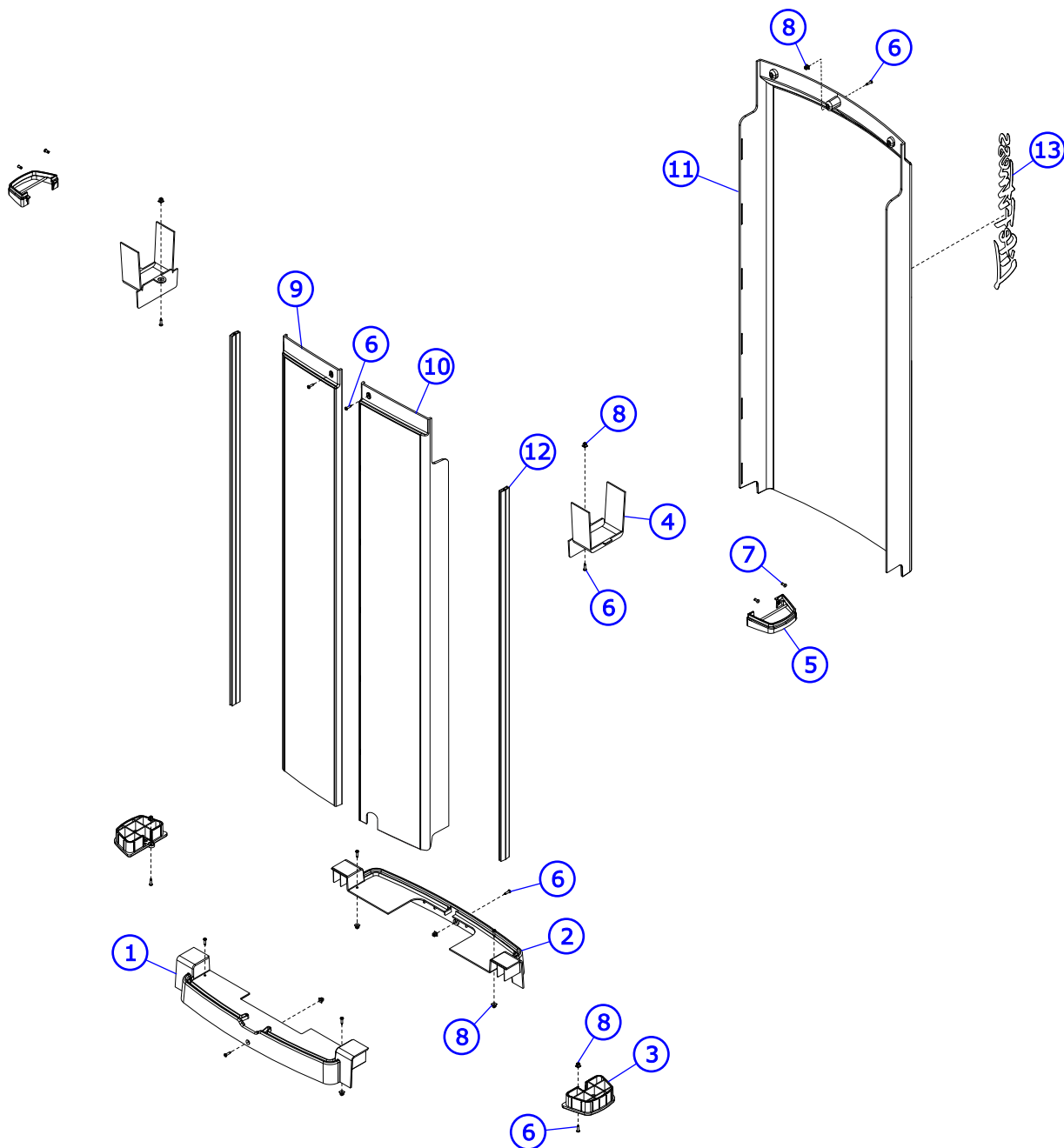
See page 9 for table

Insignia Series Abductor Table

ITEM NO.	QTY.	PART NO.	DESCRIPTION	TRIM
1	1	3110008	ROLL PIN, 1/8 X 1-1/4	S L
2	6	3235601	BEARING, 6205 BALL	S L
3	12	3236202	SCREW, M10 X1.5 25MM	S L
4	5	3236204	SCREW, M10 X1.5 35MM	S L
5	2	3236205	SCREW, M10 X1.5 40MM	S L
6	2	3236208	SCREW, M10 X1.5 55MM	S L
7	42	3236601	WASHER, 3/8 SAE SS	S L
8	13	3236801	NUT, M10 HEX NYLOCK SS	S L
9	4	3236902	NUT, HEX JAM M16 X 2 SS	S L
10	4	3237407	PLUG, 1" HOLE	S L
11	1	3238601	M10X1.5 BLIND THREADED INSERT (HEX)	S L
12	2	3251202	SCREW, M10 X1.5 X 25MM UNS HEX CS ST ZN	S L
13	2	3251204	SCREW, M10 X1.5 X 35MM UNS HEX CS ST ZN	S L
14	2	3254703	NUT, M10 X 1.5 HEX ZINC	S L
15	4	3275401	M10X1.5 BLIND THREADED INSERT (HEX) -HVY	S L
16	4	3275504	SCREW, M10 X 1.5 X 35 SHCS, LOW HEAD -NO PATCH	S L
17	2	3275505	SCREW, M10 X 1.5 X 40 SHCS, LOW HEAD -NO PATCH	S L
18	4	3275507	SCREW, M10 X 1.5 X 50 SHCS, LOW HEAD -NO PATCH	S L
19	1	3275508	SCREW, M10 X 1.5 X 55 SHCS, LOW HEAD -NO PATCH	S L
20	2	3275514	SCREW, M10 X 1.5 X 85 SHCS, LOW HEAD -NO PATCH	S L
21	2	6757701	CLIP, CABLE 2-7/8 X 1 X 1	S L
22	1	7297201	PAD, LARGE CHAIR BLK, SNGL STITCH	S L
		1000000-0101	PAD, LARGE CHAIR BLK, DBL STITCH	S L
		1000000-0199	PAD, LARGE CHAIR CUS, DBL STITCH	S L
		1000000-0099	PAD, LARGE CHAIR CUS, SNGL STITCH	S L
23	1	7318201	PLATE, PULLEY	S L
24	1	7322301	PLATE, 1.97 OD X .44 ID 10GA	S L
25	3	7330001	SPACER, INTERNAL X .403	S L
26	2	7330005	SPACER, INTERNAL X 6.265	S L
27	1	7330006	SPACER, INTERNAL X 1.765	S L
28	8	7333802	CAP, SMALL FLOV- END	S L
29	3	7333902	CAP, LARGE FLOV- END	S L
30	1	7335401	NUT, M10 X 1.5 SOCKET HEAD	S L
31	4	7347301	NUT, SPIDER M10 X 1.5	S L
32	1	7351501	SPRING, PULL PIN LARGE	S L
33	2	7352002	BUMPER, 2-1/8 X 4-5/8	S L
34	2	7385203	SPACER, .406 X .750 X .500	S L
35	1	-	LABEL, SERIAL NUMBER, BLANK	S L
36	1	7592001	SHAFT, FZ, 25MM	S L
37	1	7592101	SHAFT, FZ, 25MM X 10.12 LG.	S L
38	1	7593401	BRACKET, FZ, SEAT	S L
39	4	7606202	GRIP, USER ARM	S L
40	1	7626501	PAD, FZHIP HAD/HAB-LH BLK SNGL STITCH	S L
		1000011-0101	PAD, HIP HAB/HAD LH, NO BACKER BLK, DBL STITCH	S L
		1000011-0199	PAD, HIP HAB/HAD LH, NO BACKER CUS, DBL STITCH	S L
		1000011-0099	PAD, HIP HAB/HAD LH, NO BACKER CUS, SNGL STITCH	S L
41	1	7626601	PAD, HIP HAD/HAB RH, NO BACKER BLK, SNGL STITCH	S L
		1000012-0101	HIP HAB/HAD RH, NO BACKER BLK, DBL STITCH	S L
		1000012-0199	HIP HAB/HAD RH, NO BACKER CUS, DBL STITCH	S L
		1000012-0099	HIP HAB/HAD RH, NO BACKER CUS, SNGL STITCH	S L
42	2	7690103	BUMPER, SLEEVE - 1 INCH DIA	S L
43	2	7730901	BRKT, COVER/CABLE RETAINER	S L
44	1	7795202	PIN, SPRING RATCHET - LONG	S L
45	1	9499802	LABEL, SS-HAB, ADJ	S L
46	1	8102902	COVER, PULLEY-BOLTED FULL	S L
47	1	8220099	LABEL, ASTM WARNING SELECT	S L
48	1	9500001	PLATE, SS-HAB ADJ	S L
49	1	9319301	FOOT, 2.50 X 4.49 FLOV	S L
50	1	9461301	COVER, FOOT - 10 deg	S L
51	5	9319901	PULLEY, 3/16 IN CABLE (T2), 4.5 IN OD	S L
52	1	1000018-0001	PAD, LARGE BACK BLK, SNGL STITCH	S L
		1000018-0099	PAD, LARGE BACK CUS, SNGL STITCH	S L
		1000018-0101	PAD, LARGE BACK BLK, DBL STITCH	S L
		1000018-0199	PAD, LARGE BACK CUS, DBL STITCH	S L
53	1	9411201	TRAY, TOWER TOP CAP	S L
54	1	9412601	CAP, TOWER -TOP	S L
55	1	9465199	LABEL, SS-HAB PLACARD, LH	S L
56	1	9436701	CAP, TOWER, TOP, PLASTIC	S -
59	2	9441600	PLATE, FOOT, HAB	S L
62	1	9454703	KNOB, ADJ	S L
64	1	9476701	LABEL, SS-HAB PLACARD, RH	S L
67	1	9482701	BRKT, SS-HAD/HAB	S L
68	1	9488901	LABEL, INSIGNIA, FCC	S L
69	2	9498901	CABLE, SS-HAB/HAD, BE, BE	S L

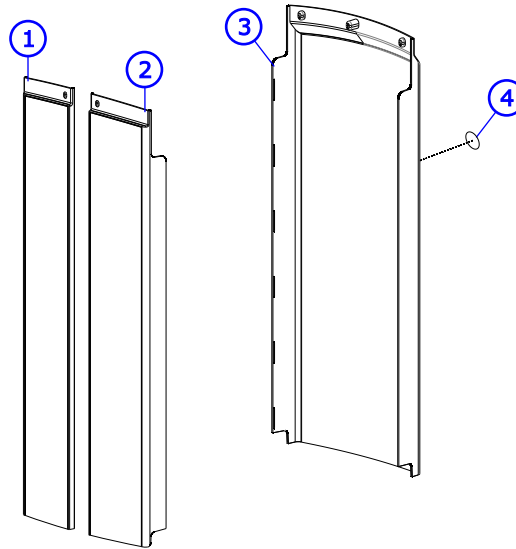
Insignia Series Hip Abductor


Tower Plastics





ITEM NO.	QTY.	PART NO.	DESCRIPTION
1	1	9410801	COVER, TOWER BOTTOM -FRONT
2	1	9411001	COVER, TOWER BOTTOM -REAR
3	2	9412701	ASSY, TRAP TUBE, CAP, BOTTOM
4	2	9415701	COVER, UPPER CROSS MEMBER
5	2	9415801	GASKET, TRAP TUBE
6	13	3275801	SCREW, 8 X 3/4 DIN PHL PAN AB ST ZB
7	4	0017-00101-1587	RVT 201X0413X.354 T NY NO
8	11	0017-00042-1147	GROMMET: SCREW; 8 OR 10
9	1	9410601	SHROUD, TOWER FRONT, LT - SHORT
10	1	9410703	SHROUD, SS-HAB/HAD, FNT, RT
11	1	9411101	SHROUD, TOWER REAR - SHORT
12	2	9414601	SHROUD EXTRUSION - SHORT
13	1	9489101	LABEL, LIFE FITNESS


Insignia Series Hip Abductor Shroud Wraps




BAMBOO	DATE MADE	SERIAL #	ITEM	QTY.	PART NO.	DESCRIPTION
	1/1/2015 - 3/31/2016	PRIOR TO SS-XX0416001	1	1	9511802	SHROUD, SS, FNT, LT, SRT-BAM
			2	1	9512102	SHROUD, SS-HAB/HAD, FNT, RT -BAM
			3	1	9511902	SHROUD, SS, REAR, SRT-BAM
4/01/2016 - PRESENT	ON OR AFTER SS-XX0416001		1	1	1003204-0002	SHROUD, SS, FNT, LT, SRT, ABS-BAM
			2	1	1003216-0002	SHROUD, SS-HAB/HAD, FNT, RT, ABS-BAM
			3	1	1003205-0002	SHROUD, SS, REAR, SRT, ABS-BAM


SKY	DATE MADE	SERIAL #	ITEM	QTY.	PART NO.	DESCRIPTION
	1/1/2015 - 3/31/2016	PRIOR TO SS-XX0416001	1	1	9511803	SHROUD, SS, FNT, LT, SRT-SKY
			2	1	9512103	SHROUD, SS, FNT, RT, SRT-SKY
			3	1	9511903	SHROUD, SS, REAR, SRT-SKY
4/01/2016 - PRESENT	ON OR AFTER SS-XX0416001		1	1	1003204-0003	SHROUD, SS, FNT, LT, SRT, ABS-SKY
			2	1	1003216-0003	SHROUD, SS, FNT, RT, SRT, ABS-SKY
			3	1	1003205-0003	SHROUD, SS, REAR, SRT, ABS-SKY


BRONZE	DATE MADE	SERIAL #	ITEM	QTY.	PART NO.	DESCRIPTION
	1/1/2015 - 3/31/2016	PRIOR TO SS-XX0416001	1	1	9511804	SHROUD, SS, FNT, LT, SRT-BRZ
			2	1	9512104	SHROUD, SS-HAB/HAD, FNT, RT -BRZ
			3	1	9511904	SHROUD, SS, REAR, SRT-BRZ
4/01/2016 - PRESENT	ON OR AFTER SS-XX0416001		1	1	1003204-0004	SHROUD, SS, FNT, LT, SRT, ABS-BRZ
			2	1	1003216-0004	SHROUD, SS-HAB/HAD, FNT, RT, ABS-BRZ
			3	1	1003205-0004	SHROUD, SS, REAR, SRT, ABS-BRZ

STEM	DATE MADE	SERIAL #	ITEM	QTY.	PART NO.	DESCRIPTION
	1/1/2015 - 3/31/2016	PRIOR TO SS-XX0416001	1	1	9511805	SHROUD, SS, FNT, LT, SRT-STM
			2	1	9512105	SHROUD, SS-HAB/HAD, FNT, RT -STM
			3	1	9511905	SHROUD, SS, REAR, SRT-STM
4/01/2016 - PRESENT	ON OR AFTER SS-XX0416001		1	1	1003204-0005	SHROUD, SS, FNT, LT, SRT, ABS-STM
			2	1	1003216-0005	SHROUD, SS-HAB/HAD, FNT, RT, ABS-STM
			3	1	1003205-0005	SHROUD, SS, REAR, SRT, ABS-STM

ROSEWOOD	DATE MADE	SERIAL #	ITEM	QTY.	PART NO.	DESCRIPTION
	1/1/2015 - 3/31/2016	PRIOR TO SS-XX0416001	1	1	9511806	SHROUD, SS, FNT, LT, SRT-RSW
			2	1	9512106	SHROUD, SS-HAB/HAD, FNT, RT -RSW
			3	1	9511906	SHROUD, SS, REAR, SRT-RSW
4/01/2016 - PRESENT	ON OR AFTER SS-XX0416001		1	1	1003204-0006	SHROUD, SS, FNT, LT, SRT, ABS-RSW
			2	1	1003216-0006	SHROUD, SS-HAB/HAD, FNT, RT, ABS-RSW
			3	1	1003205-0006	SHROUD, SS, REAR, SRT, ABS-RSW

STAINLESS STEEL	DATE MADE	SERIAL #	ITEM	QTY.	PART NO.	DESCRIPTION
	1/1/2015 - 3/31/2016	PRIOR TO SS-XX0416001	1	1	9511807	SHROUD, SS, FNT, LT, SRT-SS
			2	1	9512107	SHROUD, SS-HAB/HAD, FNT, RT -SS
			3	1	9511907	SHROUD, SS, REAR, SRT-SS
4/01/2016 - PRESENT	ON OR AFTER SS-XX0416001		1	1	1003204-0007	SHROUD, SS, FNT, LT, SRT, ABS-SS
			2	1	1003216-0007	SHROUD, SS-HAB/HAD, FNT, RT, ABS-SS
			3	1	1003205-0007	SHROUD, SS, REAR, SRT, ABS-SS

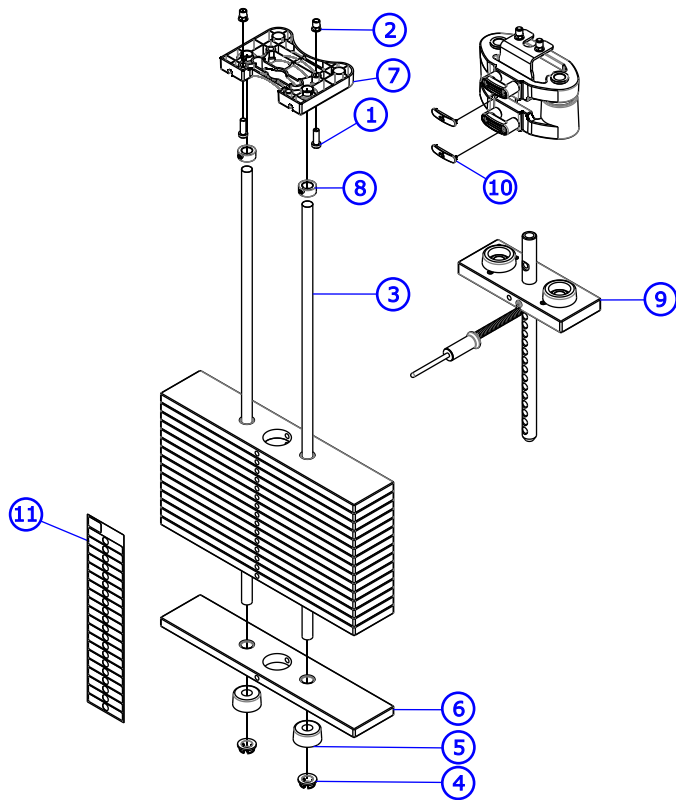
PREMIUM STAINLESS STEEL	DATE MADE	SERIAL #	ITEM	QTY.	PART NO.	DESCRIPTION
	4/01/2016 - PRESENT	ON OR AFTER SS-XX0416001	1	1	1003204-0008	SHROUD, SS, FNT, LT, SRT, ABS-PSS
			2	1	1003216-0008	SHROUD, SS, FNT, RT, SRT, ABS-PSS
			3	1	1003205-0008	SHROUD, SS, REAR, SRT, ABS-PSS

PREMIUM BLACK CARBON FIBER	DATE MADE	SERIAL #	ITEM	QTY.	PART NO.	DESCRIPTION
	4/01/2016 - PRESENT	ON OR AFTER SS-XX0416001	1	1	1003204-0009	SHROUD, SS, FNT, LT, SRT, ABS-PBCF
			2	1	1003216-0009	SHROUD, SS, FNT, RT, SRT, ABS-PBCF
			3	1	1003205-0009	SHROUD, SS, REAR, SRT, ABS-PBCF

4	1	AK58-00245-2401	MEDALLION-ASSY;LF-BUG B
---	---	-----------------	-------------------------

Insignia Series Hip Abductor Weight Stack Assemblies

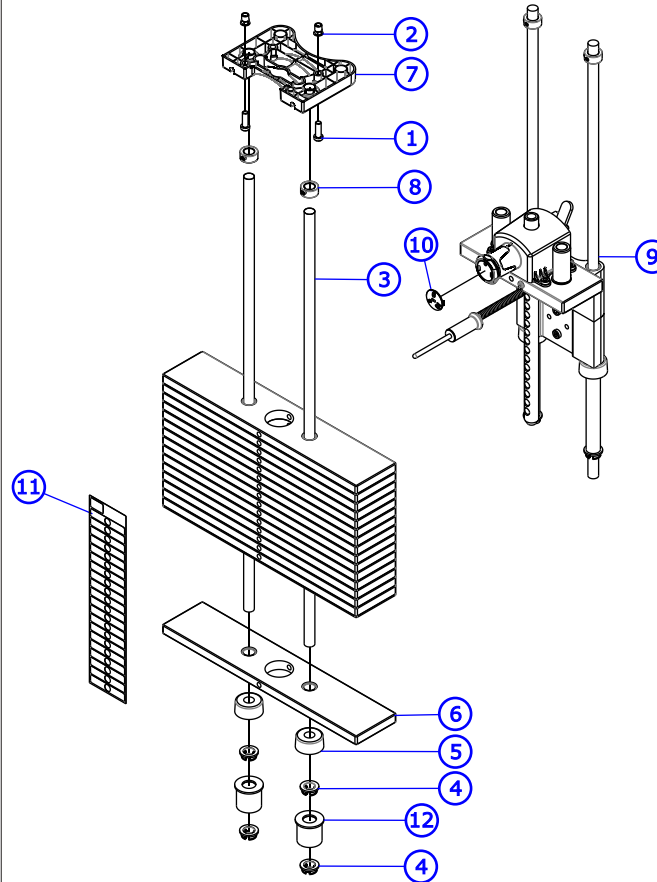
T - Base



Uses Cable 9423905 (123.5")

ITEM NO.	QTY.	PART NO.	DESCRIPTION
1	2	3236203	SCREW, M10 X1.5 30MM
2	2	3238601	M10X1.5 BLIND THREADED INSERT (HEX)
3	2	7328625	GUIDE ROD, .75 OD SOLID 37.14
4	2	7337901	BUSHING, GUIDE ROD
5	2	7352101	CUSHION, WEIGHT STACK
6	16	9407601	WGT PL, 3/4IN X 4IN, 15 LB
7	1	9412801	RETAINER, GUIDE ROD - TOP
8	2	3103301	SHAFT COLLAR, 3/4 IN ID
9	1	SEE PAGE 13	ASSY, SS, HEAD PLATE, STD -16
10	1	9462303	CAP, DD INC WGT, YEL -LBS
		9462403	CAP, DD INC WGT, YEL -KG
11	1	9475301	LABEL, 3/4 IN WGT STACK, 295 LB
		9475201	LABEL, 3/4 IN WGT STACK, 147.5 KG

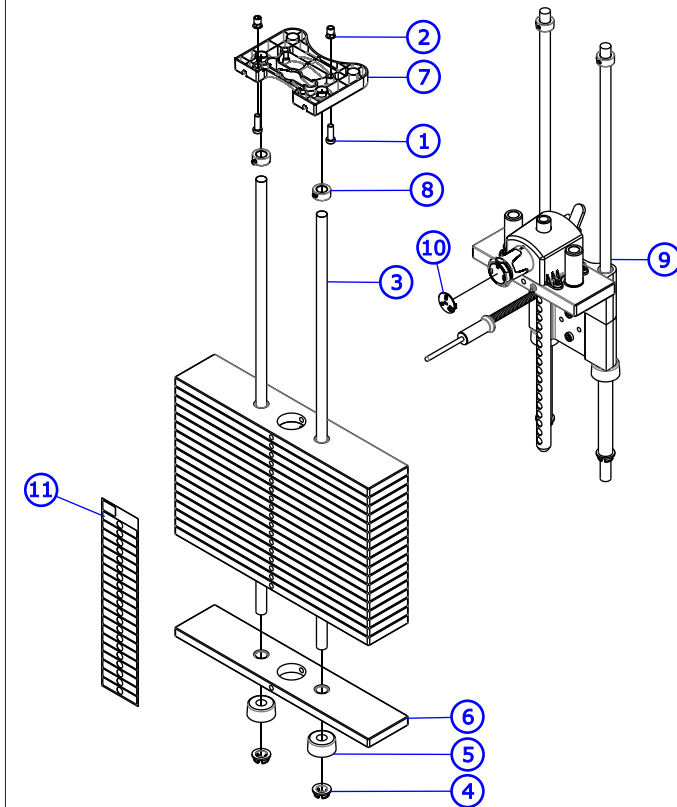
C - Light



Uses Cable 9423906 (121.25")

ITEM NO.	QTY.	PART NO.	DESCRIPTION
1	2	3236203	SCREW, M10 X1.5 30MM
2	2	3238601	M10X1.5 BLIND THREADED INSERT (HEX)
3	2	7328625	GUIDE ROD, .75 OD SOLID 37.14
4	4	7337901	BUSHING, GUIDE ROD
5	2	7352101	CUSHION, WEIGHT STACK
6	16	9407601	WGT PL, 3/4IN X 4IN, 15 LB
7	1	9412801	RETAINER, GUIDE ROD - TOP
8	2	3103301	SHAFT COLLAR, 3/4 IN ID
9	1	SEE PAGE 15	ASSY, SS, HEAD PLATE, DIAL, STD -16
10	1	9431403	CAP, SELECTOR KNOB -LBS
		9450103	CAP, SELECTOR KNOB -KGS
		9475301	LABEL, 3/4 IN WGT STACK, 295 LB
11	1	9475201	LABEL, 3/4 IN WGT STACK, 147.5 KG
		9495912	WLDMT, WGT STK SPACER X 2.25 -CHR

X - Heavy



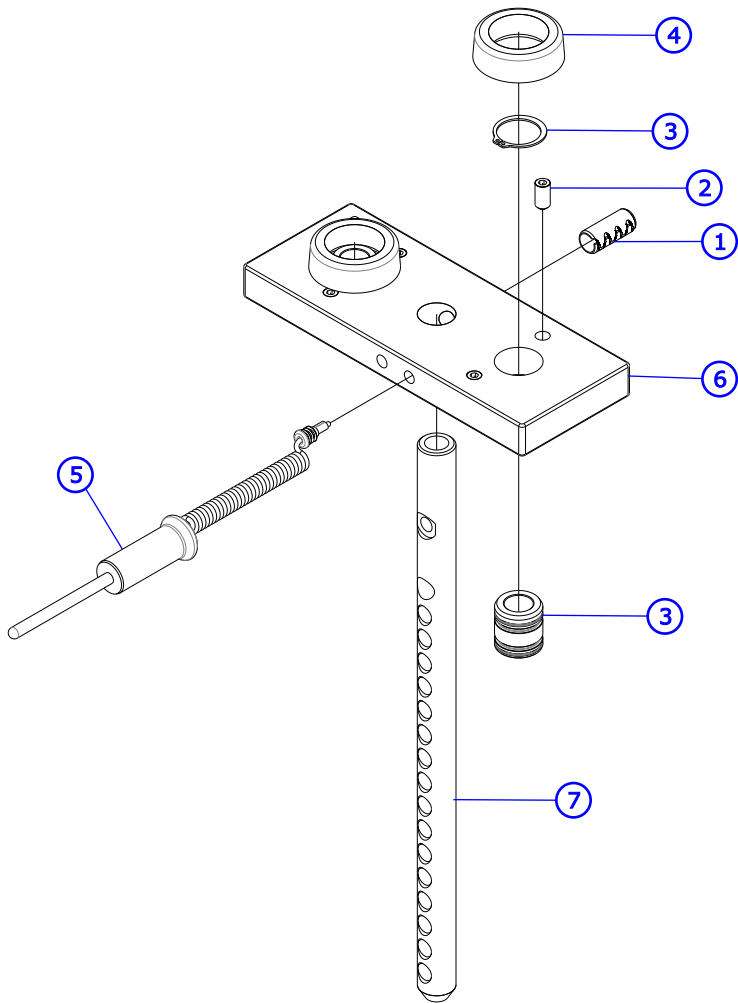
Uses Cable 9423906 (121.25")

ITEM NO.	QTY.	PART NO.	DESCRIPTION
1	2	3236203	SCREW, M10 X1.5 30MM
2	2	3238601	M10X1.5 BLIND THREADED INSERT (HEX)
3	2	7328625	GUIDE ROD, .75 OD SOLID 37.14
4	2	7337901	BUSHING, GUIDE ROD
5	2	7352101	CUSHION, WEIGHT STACK
6	19	9407601	WGT PL, 3/4IN X 4IN, 15 LB
7	1	9412801	RETAINER, GUIDE ROD - TOP
8	2	3103301	SHAFT COLLAR, 3/4 IN ID
9	1	SEE PAGE 15	ASSY, SS, HEAD PLATE, DIAL, HVY -19
10	1	9431403	CAP, SELECTOR KNOB -LBS
		9450103	CAP, SELECTOR KNOB -KGS
		9475301	LABEL, 3/4 IN WGT STACK, 295 LB
11	1	9475201	LABEL, 3/4 IN WGT STACK, 147.5 KG

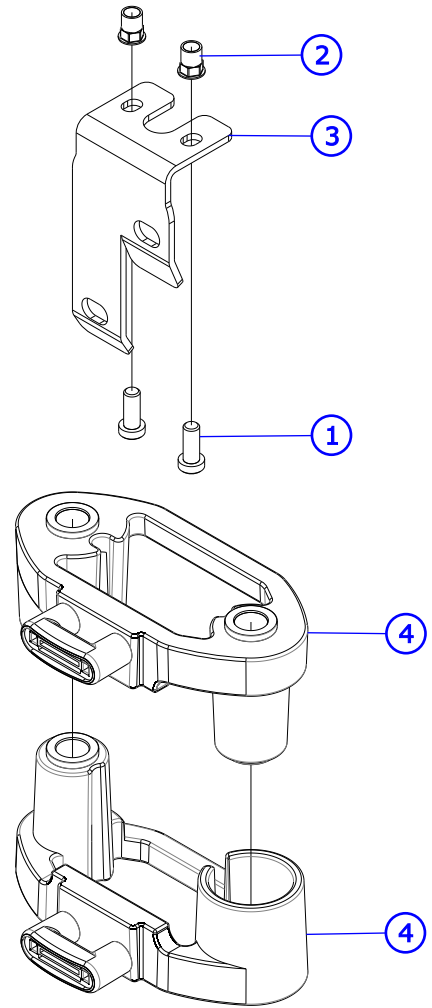
Insignia Series Hip Abductor

T Trim Head Plate and Drop Down Increment Weights

T Trim



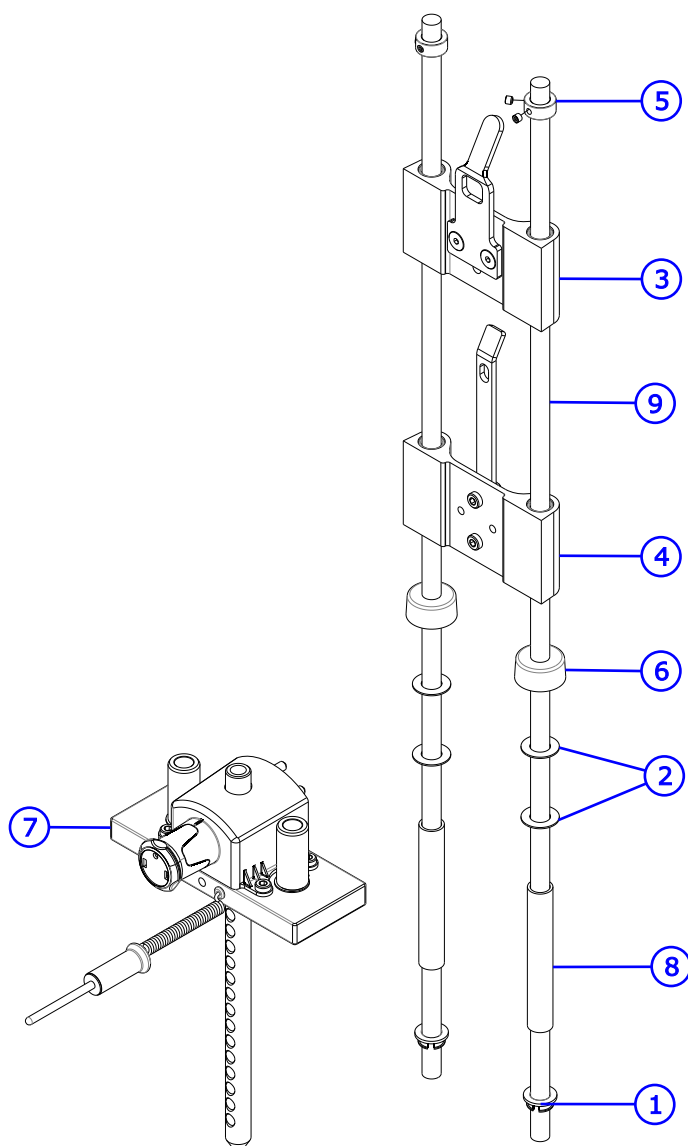
ITEM NO.	QTY.	PART NO.	DESCRIPTION
1	1	3236001	BUSHING, SPRING PIN
2	4	3240501	M10 X 1.5 HXS NO CUP ST BO
3	2	7338001	BUSHING, HEADPLATE
4	2	7767602	BUMPER, INCREMENT WT -BLK
5	1	1003679-0003	ASSY, WGT STK SELECTOR PIN -YELLOW
6	1	9427401	HEADPLATE, WT. STACK, 10LB
7	1	9434202	BAYONET, 16 PLATE



ITEM NO.	QTY.	PART NO.	DESCRIPTION
1	2	3236202	SCREW, M10 X1.5 25MM
2	2	3238601	M10X1.5 BLIND THREADED INSERT (HEX)
3	1	9430801	BRKT, INC WGT STRIKER
4	2	9455403	ASSY, DD INC WGT -YEL

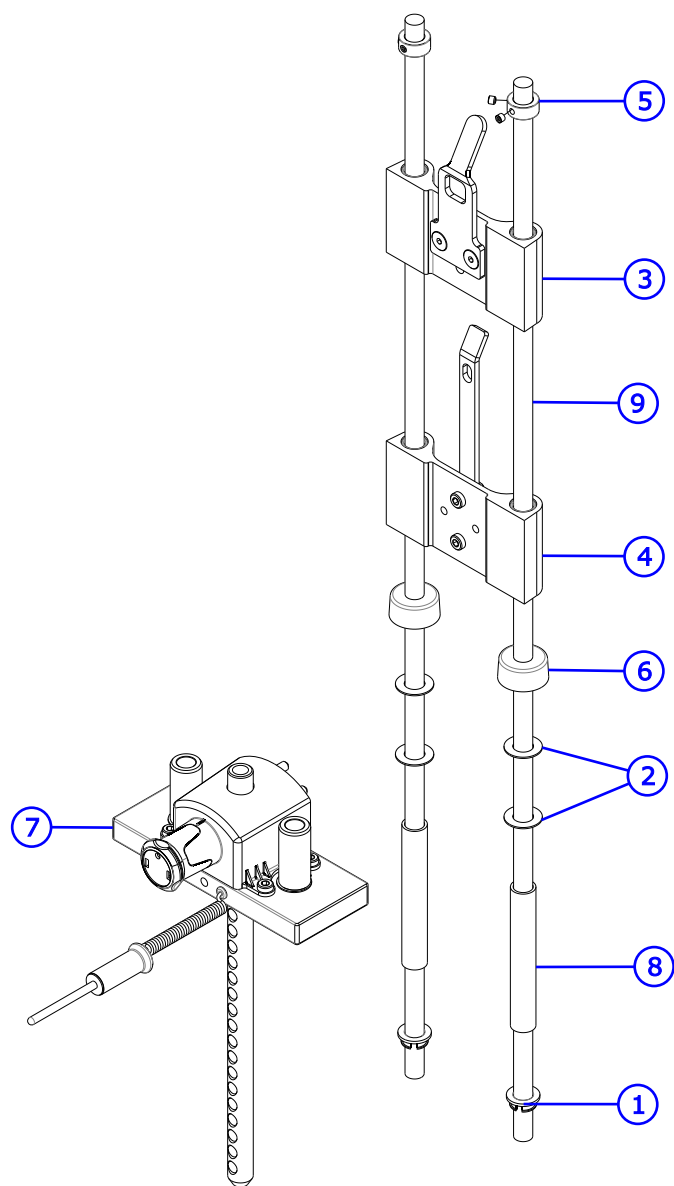
Insignia Series Hip Abductor C and X Trim Stack Components

C Trim



ITEM NO.	QTY.	PART NO.	DESCRIPTION
1	2	7337901	BUSHING, GUIDE ROD
2	4	7351001	SPACER, INC WT STACK
3	1	SEE PAGE 16	ASSY, INC WGT -5LB
4	1	SEE PAGE 16	ASSY, INC WGT -10LB
5	2	3103301	SHAFT COLLAR, 3/4 IN ID
6	2	7352101	CUSHION, WEIGHT STACK
7	1	SEE PAGE 15	ASSY, SS, HEAD PLATE, DIAL, STD -16
8	2	7328704	SPACER, INC WT STACK 19 PLATE
9	2	7328625	GUIDE ROD, .75 OD SOLID X 37.14

X Trim

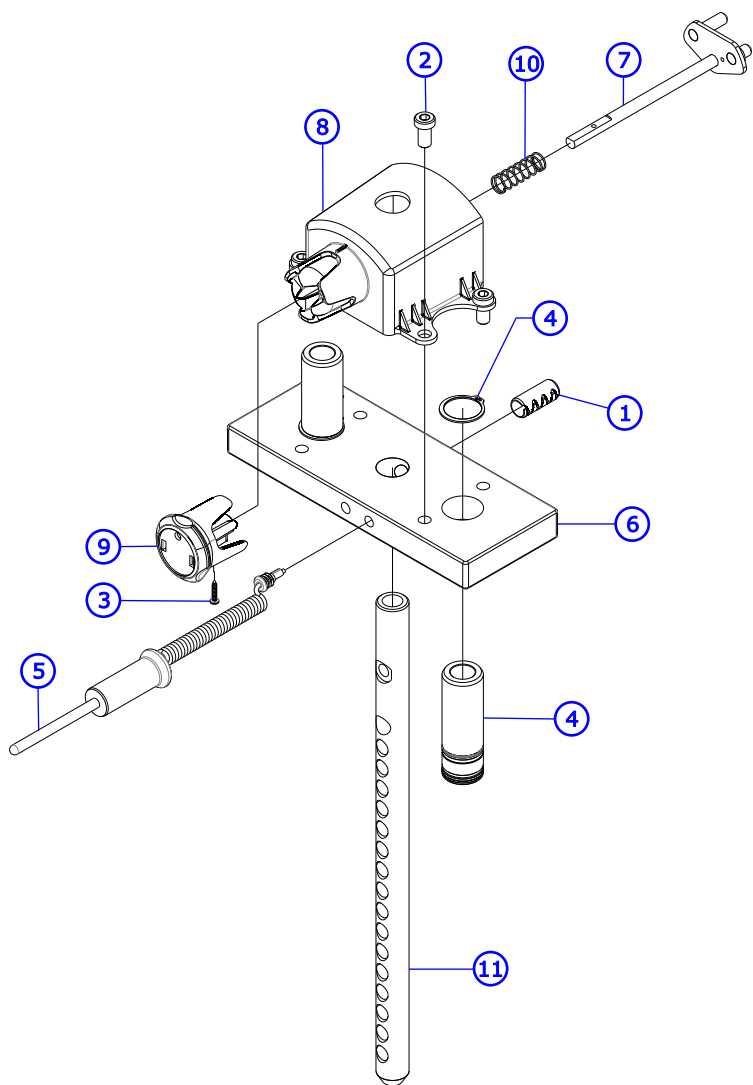


ITEM NO.	QTY.	PART NO.	DESCRIPTION
1	2	7337901	BUSHING, GUIDE ROD
2	4	7351001	SPACER, INC WT STACK
3	1	SEE PAGE 16	ASSY, INC WGT -5LB
4	1	SEE PAGE 16	ASSY, INC WGT -10LB
5	2	3103301	SHAFT COLLAR, 3/4 IN ID
6	2	7352101	CUSHION, WEIGHT STACK
7	1	SEE PAGE 15	ASSY, SS, HEAD PLATE, HVY -19
8	2	7328704	SPACER, INC WT STACK 19 PLATE
9	2	7328625	GUIDE ROD, .75 OD SOLID X 37.14

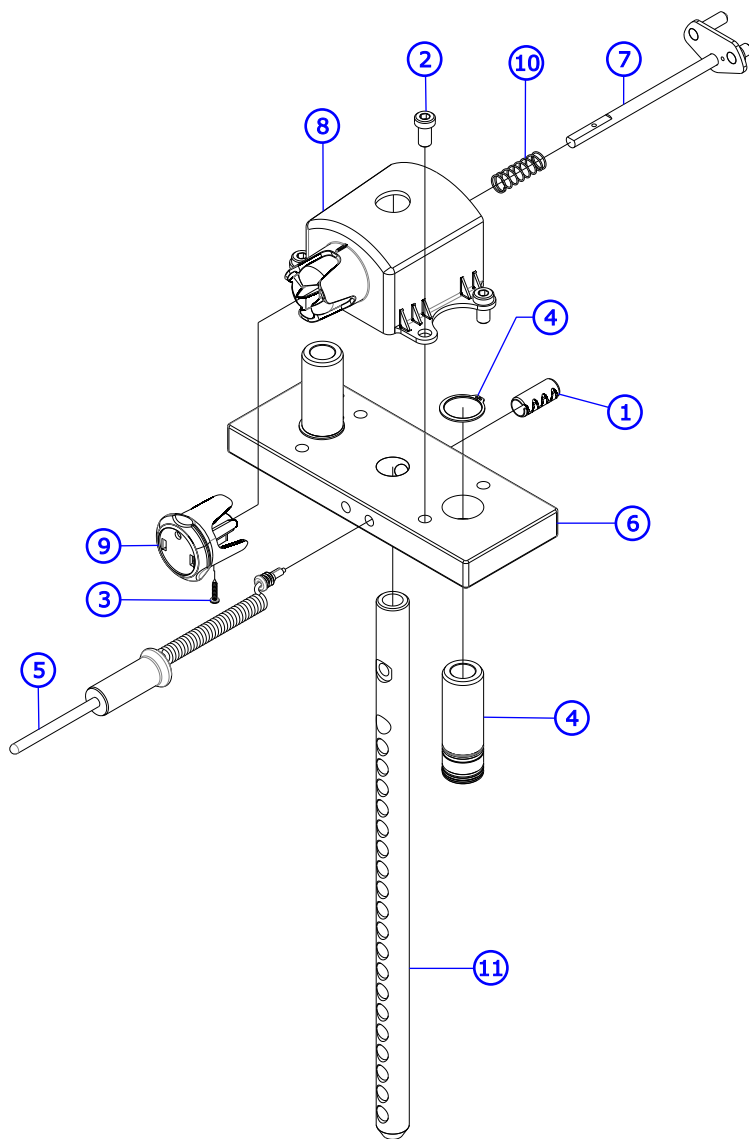
Insignia Series Hip Abductor

C and X Trim Head Plate Assemblies

C Trim



X Trim



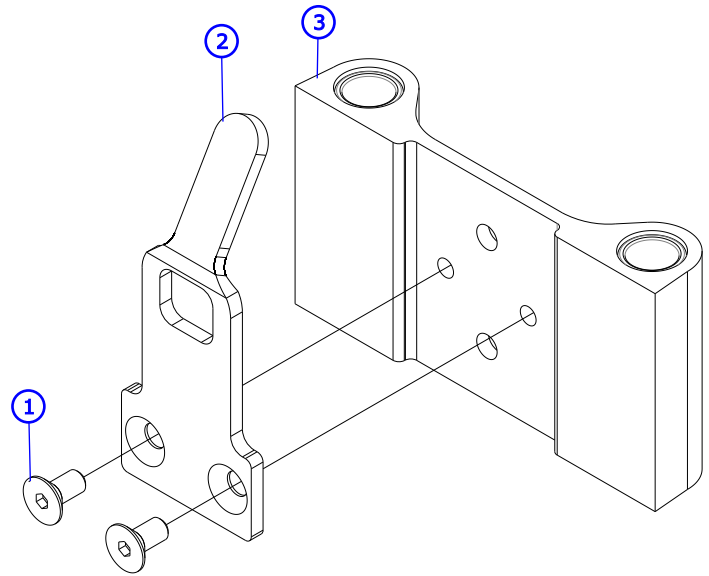
ITEM NO.	QTY.	PART NO.	DESCRIPTION
1	1	3236001	BUSHING, SPRING PIN
2	4	3236201	SCREW, M10 X1.5 20MM
3	1	3275601	SCREW, 6 X 3/4 DIN PHL PAN AB ST ZB
4	2	9296001	BUSHING, HEADPLATE, LONG
5	1	1003679-0003	ASSY, WGT STK SELECTOR PIN -YELLOW
6	1	9427401	HEADPLATE, WT. STACK, 10LB
7	1	9427501	WLDMT, INC WGT PIN
8	1	9430501	HSNG, INC WEIGHT
9	1	9443201	KNOB, INC WEIGHT
10	1	9443301	SPRING, INC WGT PIN
11	1	9434202	BAYONET, 16 PLATE

ITEM NO.	QTY.	PART NO.	DESCRIPTION
1	1	3236001	BUSHING, SPRING PIN
2	4	3236201	SCREW, M10 X1.5 20MM
3	1	3275601	SCREW, 6 X 3/4 DIN PHL PAN AB ST ZB
4	2	9296001	BUSHING, HEADPLATE, LONG
5	1	1003679-0003	ASSY, WGT STK SELECTOR PIN -YELLOW
6	1	9427401	HEADPLATE, WT. STACK, 10LB
7	1	9427501	WLDMT, INC WGT PIN
8	1	9430501	HSNG, INC WEIGHT
9	1	9443201	KNOB, INC WEIGHT
10	1	9443301	SPRING, INC WGT PIN
11	1	9426002	BAYONET, 19 PLATE

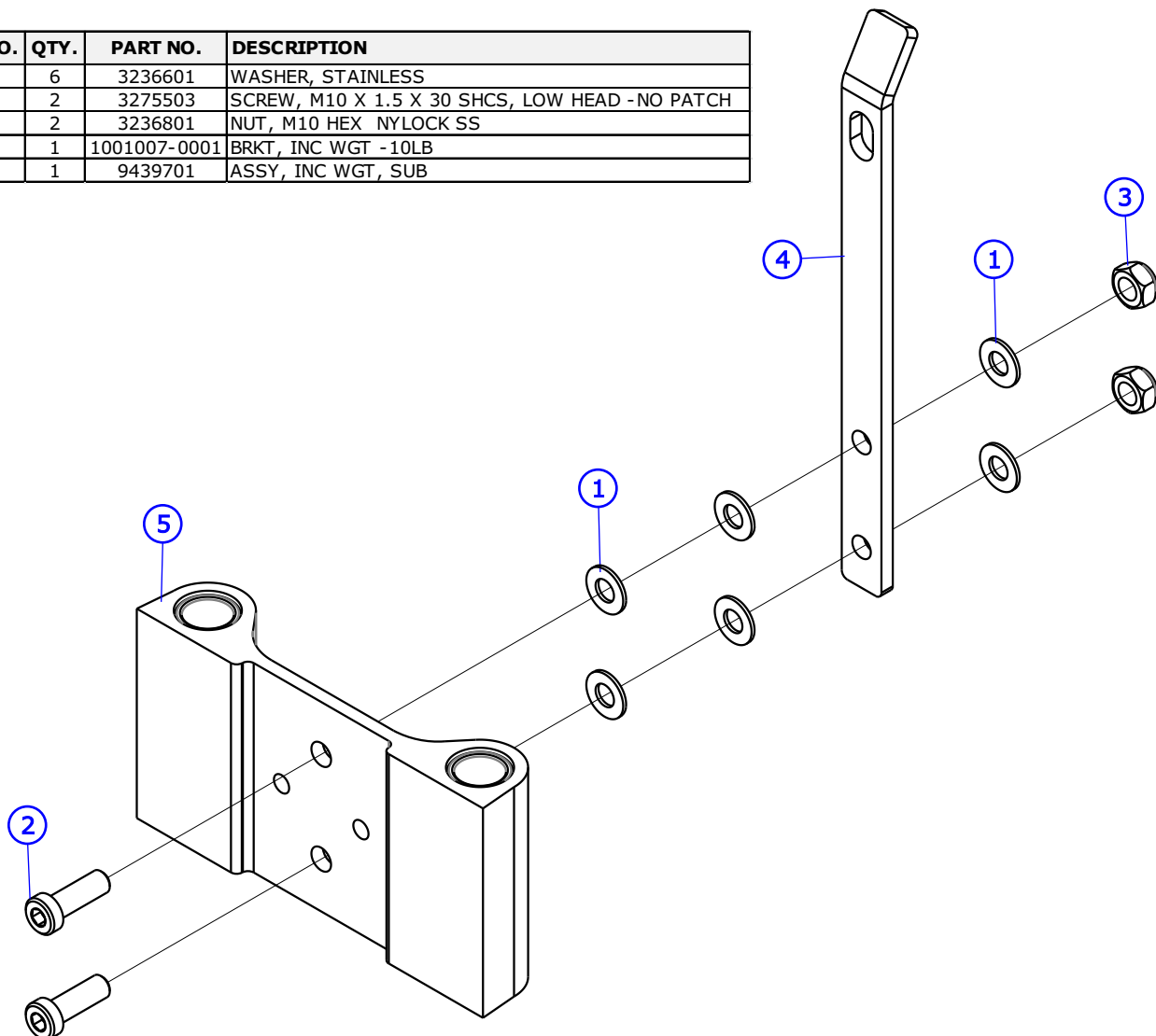
Insignia Series Hip Abductor

C and X Trim Incremental Weights

ITEM NO.	QTY.	PART NO.	DESCRIPTION
1	2	3238301	M10x1.5x20mm
2	1	9428201	BRKT, INC WGT -5 LB
3	1	9439701	ASSY, INC WGT, SUB

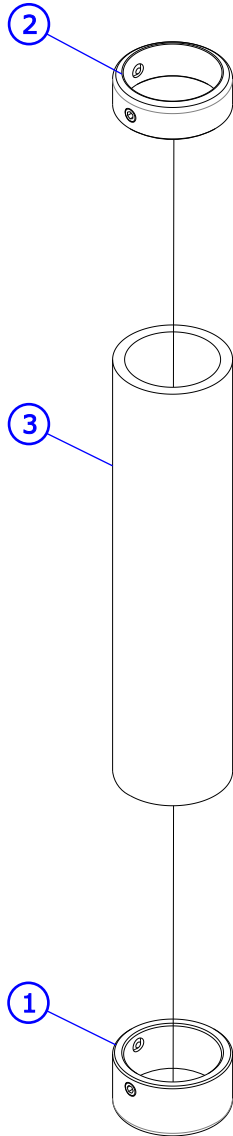


ITEM NO.	QTY.	PART NO.	DESCRIPTION
1	6	3236601	WASHER, STAINLESS
2	2	3275503	SCREW, M10 X 1.5 X 30 SHCS, LOW HEAD -NO PATCH
3	2	3236801	NUT, M10 HEX NYLOCK SS
4	1	1001007-0001	BRKT, INC WGT -10LB
5	1	9439701	ASSY, INC WGT, SUB



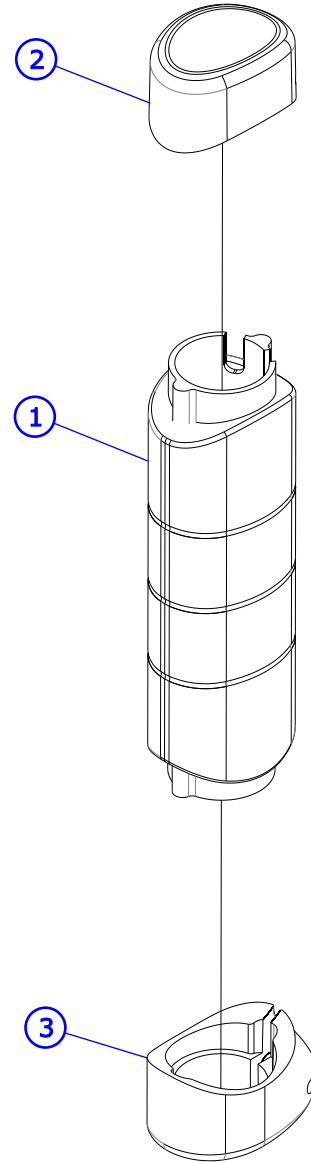
Insignia Series Hip Abductor Grip Assemblies

S Trim



ITEM NO.	QTY.	PART NO.	DESCRIPTION
1	1	7662901	CAP, GRIP 1.25 OD
2	1	7662801	RING, GRIP
3	1	3235806	GRIP, 1.25 OD X .125 WALL, OPEN END

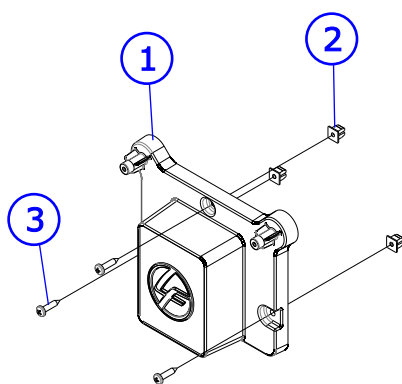
L Trim



ITEM NO.	QTY.	PART NO.	DESCRIPTION
1	1	9453001	GRIP, ERGO, OVERMOLD
2	1	1001761-0001	ASSY, CAP, GRIP
3	1	1001760-0001	ASSY, COLLAR, ERGO GRIP

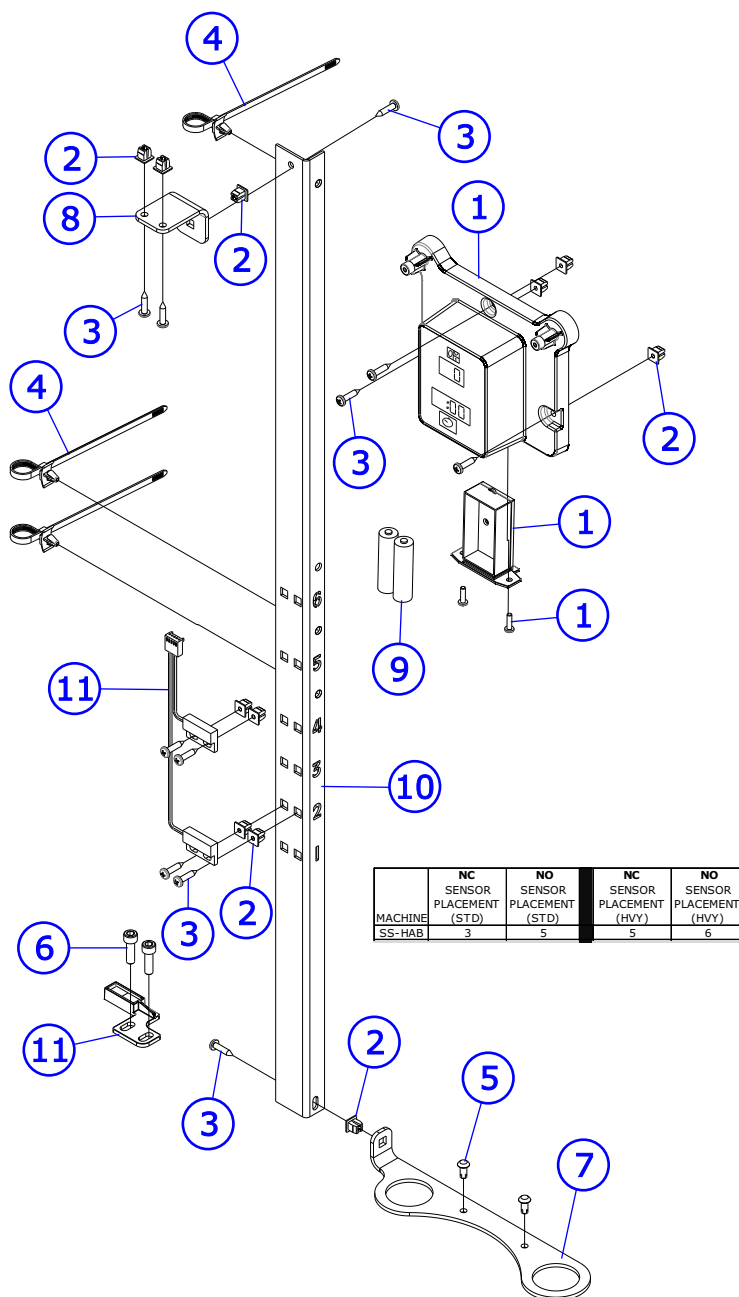
Insignia Series Hip Abductor Sensor Assemblies

S Trim



ITEM NO.	QTY.	PART NO.	DESCRIPTION
1	1	9437401	SS - ASSY, DISPLAY, BASE
2	3	0017-00042-1147	GROMMET: SCREW; 8 OR 10
3	3	3275801	SCREW, 8 X 3/4 DIN PHL PAN AB ST ZB

L Trim



MACHINE	NC SENSOR PLACEMENT (STD)	NO SENSOR PLACEMENT (STD)	NC SENSOR PLACEMENT (HVY)	NO SENSOR PLACEMENT (HVY)
SS-HAB	3	5	5	6

ITEM NO.	QTY.	PART NO.	DESCRIPTION
1	1	9417701	ASSY, DISPLAY, COUNTER
2	11	0017-00042-1147	GROMMET: SCREW; 8 OR 10
3	11	3275801	SCREW, 8 X 3/4 DIN PHL PAN AB ST ZB
4	3	3276101	GROMMET, CABLE TIE
5	2	0017-00101-1587	RVT 201X0413X.354 T NY NO
6	2	3241701	SCREW, M6 X1 20MM
7	1	9432728	BRKT, SS, SWITCH MNT -CHGR
8	1	9434828	BRKT, SS, SWITCH MNT
9	2	-	BATTERY, AA
10	1	9459228	BRKT, SS, SWITCH MNT, SRT -CHR
11	1	1000585-0001	ASSY, SS, PROX SWITCH/MAGNET

Insignia Series Hip Abductor Cable Routing

Weight Stack Cable

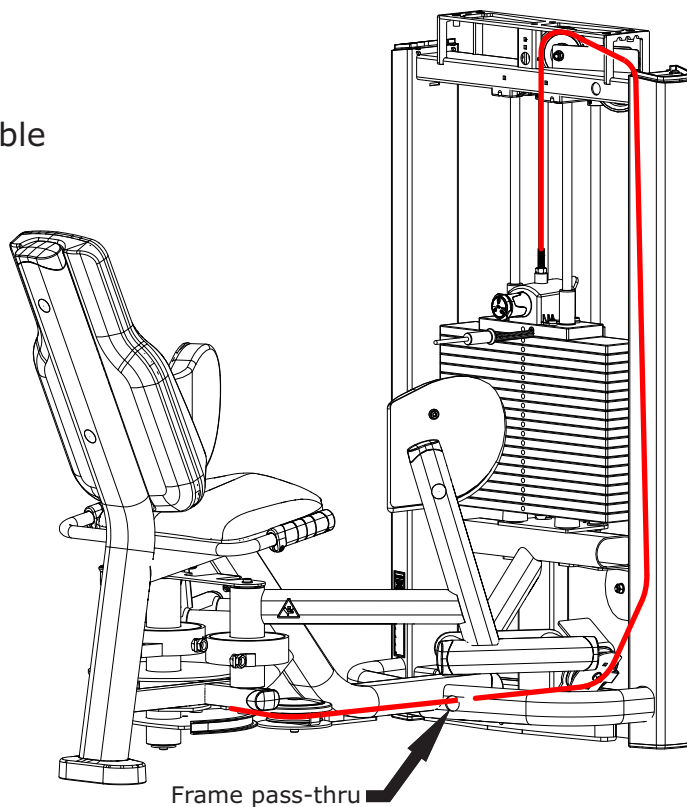


Figure 8 Cable (TOP)

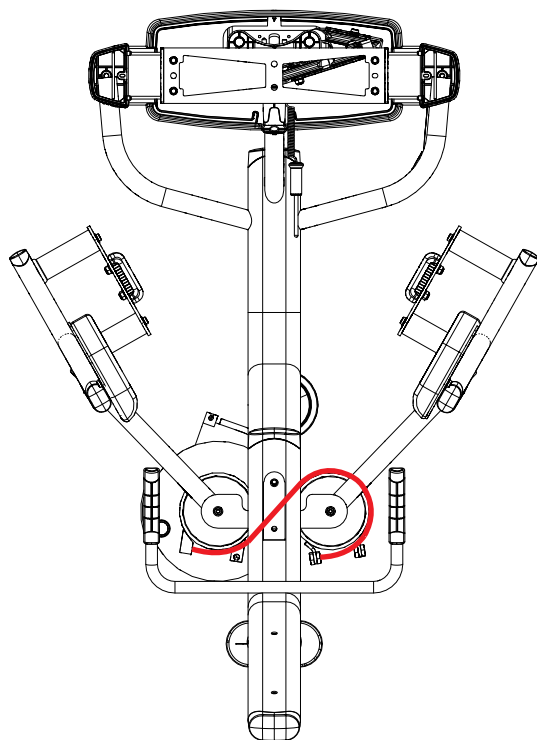


Figure 8 Cable (BOTTOM)

