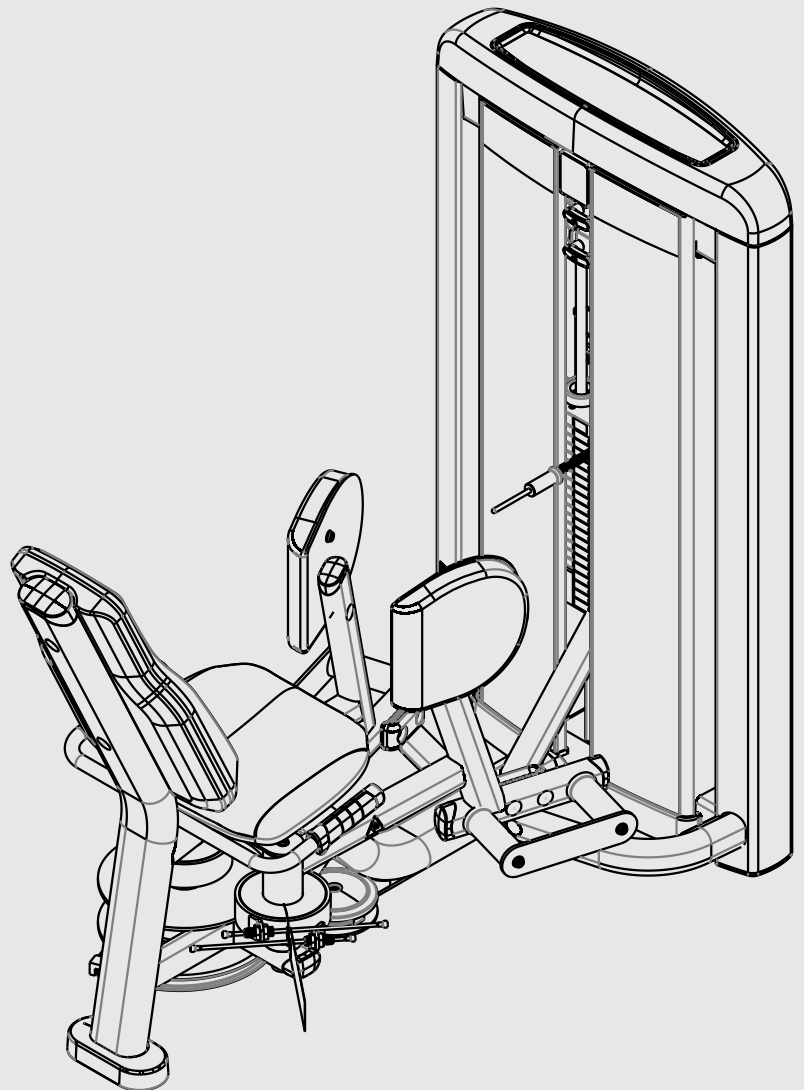


INSIGNIA SERIES  
HIP ADDUCTOR  
SS-HAD  
PARTS MANUAL



# Insignia Series Hip Adductor

## Contents

---

Options and Key .....	3
Powder Coat Painted Frame Weldments .....	4
Component Assembly .....	5
Work Arm Components .....	6
Seat Components .....	7
Labels .....	8
Table .....	9
Tower Plastics .....	10
Shroud Wraps .....	11
Weight Stack Assemblies .....	12
T Trim Head Plate and Drop Down Increment Weights .....	13
C and X Trim Stack Components .....	14
C and X Trim Head Plate Assemblies .....	15
C and X Trim Incremental Weights .....	16
Grip Assemblies .....	17
Sensor Assemblies .....	18
Cable Routing .....	19

# Insignia Series Hip Adductor

## Options and Key

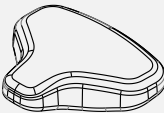
**FRAME COLOR OPTION**

SELECT POWDERCOAT COLOR

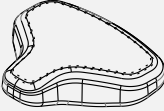
- BLACK
- BLUE
- CANDY APPLE RED
- CHARCOAL
- DIAMOND WHITE
- ELECTRIC BLUE
- ICE BLUE METALLIC
- MIDNIGHT METALLIC
- MOCHA SAND
- NICKEL
- PLATINUM
- RED
- TITANIUM
- WHITE
- YELLOW
- CUSTOM

**UPHOLSTERY OPTION**

SINGLE STITCH



DOUBLE STITCH



**UPHOLSTERY COLOR OPTION**

- AMERICAN BEAUTY RED
- AZURE
- BLACK
- BLACK CARBON FIBER
- BURGUNDY
- CANDLY APPLE RED
- CHESTNUT
- CONCORD
- CRANBERRY
- CROCUS
- DARK WALNUT
- DOVE GRAY
- EMERALD
- GRAPHITE
- GROTTTO
- GUN METAL
- HUNTER GREEN
- IMPERIAL BLUE
- JADE
- NAVY
- NORTHWOODS GREEN
- PAPRIKA
- PLUM
- PUTTY
- REGIMENTAL BLUE
- ROYAL BLUE
- SLATE
- SPACE BLUE
- SUEDE
- TERRA COTTA
- TURQUOISE
- WHEAT
- CUSTOM

**LANGUAGE OPTION**

SELECT LANGUAGE

- 01 ENGLISH
- 02 GERMAN
- 03 FRENCH
- 04 SPANISH
- 05 ITALIAN
- 06 DUTCH
- 07 JAPANESE
- 08 PORTUGUESE
- 10 RUSSIAN
- 11 TURKISH
- 12 CHINESE
- 13 ARABIC

**WEIGHT STACK OPTION**

- T - BASE STACK
- C - LIGHT STACK
- X - HEAVY STACK

POUNDS

KILOGRAMS

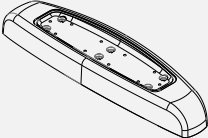

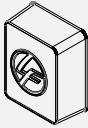
**SHROUD WRAP OPTION**

- BAMBOO
- BLACK CARBON FIBER
- BRONZE
- FULL SHROUD
- PREMIUM STAINLESS STEEL
- ROSEWOOD
- SKY
- STAINLESS STEEL
- STEM
- CUSTOM

**TRIM OPTION**

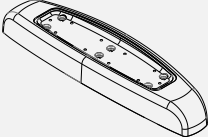

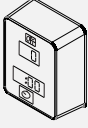
S

PLASTIC TOWER CAP  
STANDARD GRIP  
NO REP COUNTER

L

PAINTED CAST TOWER CAP  
ERGO GRIP  
REP COUNTER

### KEY

#### LANGUAGE 1 2 3

Items with Black call-outs require the last two digits (XX) to be replaced with language codes listed above. IE: 12345XX should be 1234501 for English.

#### UPHOLSTERY 1 2 3

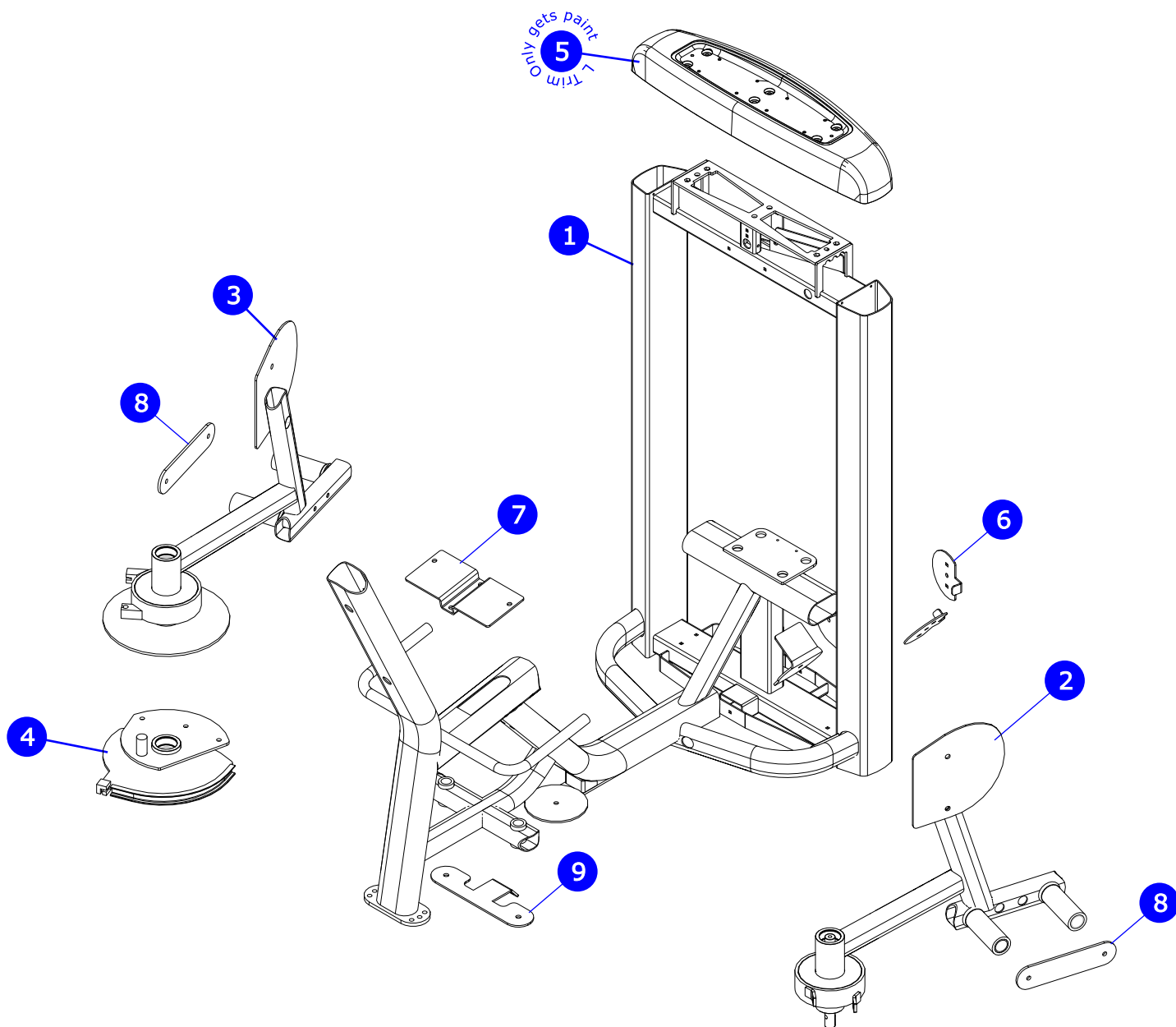
Items with Gray call-outs require the upholstery color within the order notes. IE: Putty.

#### FRAME COLOR 1 2 3

Items with Blue call-outs require the powder coat frame color to be within the order notes.

# Insignia Series Hip Adductor

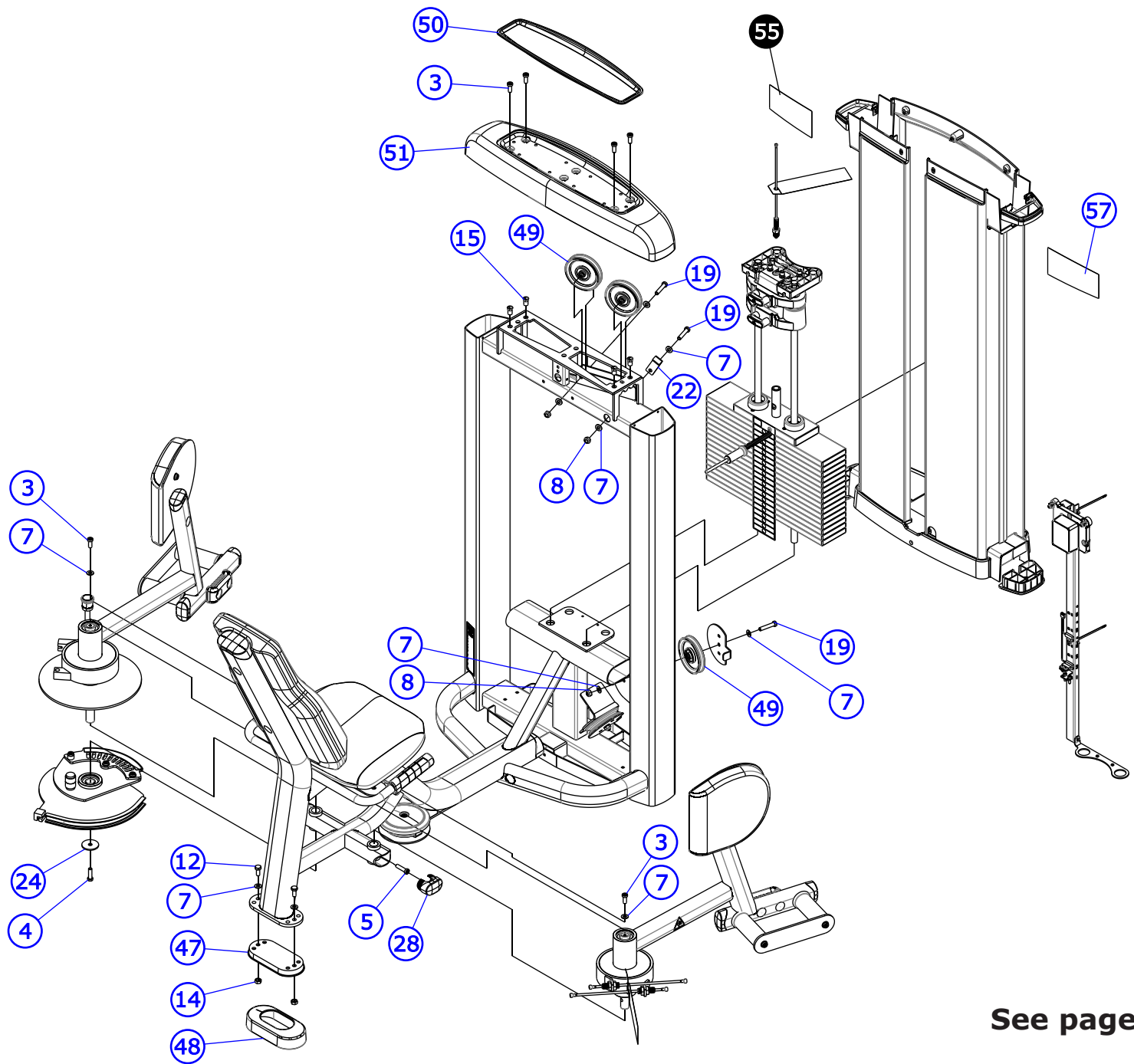
## Powder Coat Painted Frame Weldments



ITEM NO.	QTY.	PART NO.	DESCRIPTION	TRIM	
1	1	POSSIBLE RMA	WLDMT, SS-HAD/HAB, FRAME	S	L
2	1	9481699	WLDMT, SS-HAD, PIVOT LEG - RT	S	L
3	1	9482099	WLDMT, SS-HAD, PIVOT LEG-LT	S	L
4	1	9482399	WLDMT, SS-HAD, CAM	S	L
5	1	9412699	CAP, SS, CAST	-	L
6	2	7730999	BRKT, COVER/CABLE RETAINER	S	L
7	1	7593499	BRACKET, FZ, SEAT	S	L
8	2	9499699	PLATE,SS-HAD, FOOT	S	L
9	1	9482799	BRKT, SS-HAD/HAB	S	L

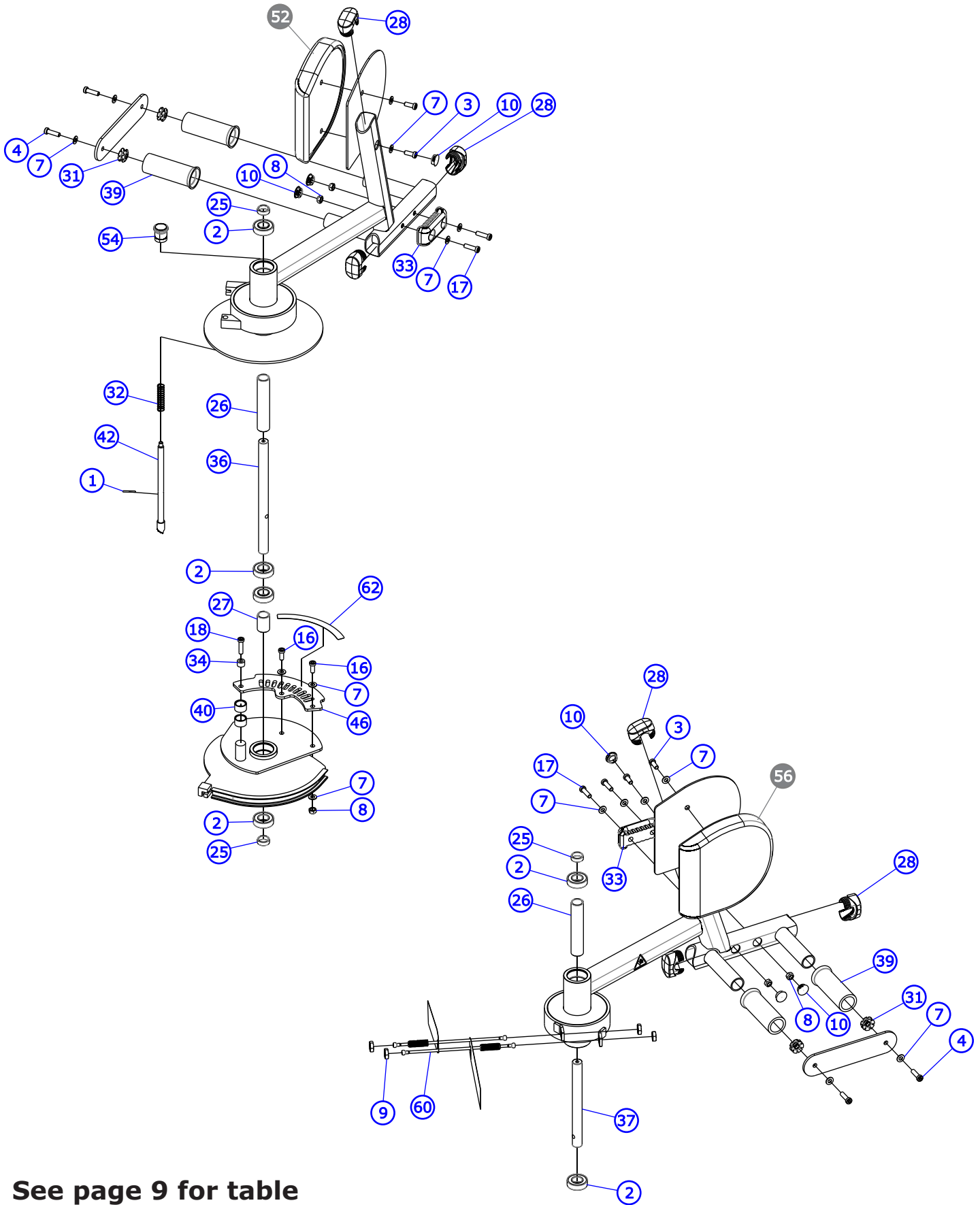
**ITEMS ON THIS PAGE ARE POWDER COAT PAINTED. REFER TO PAGE 3 FOR ORDERING INSTRUCTIONS.**

# Insignia Series Hip Adductor Component Assembly



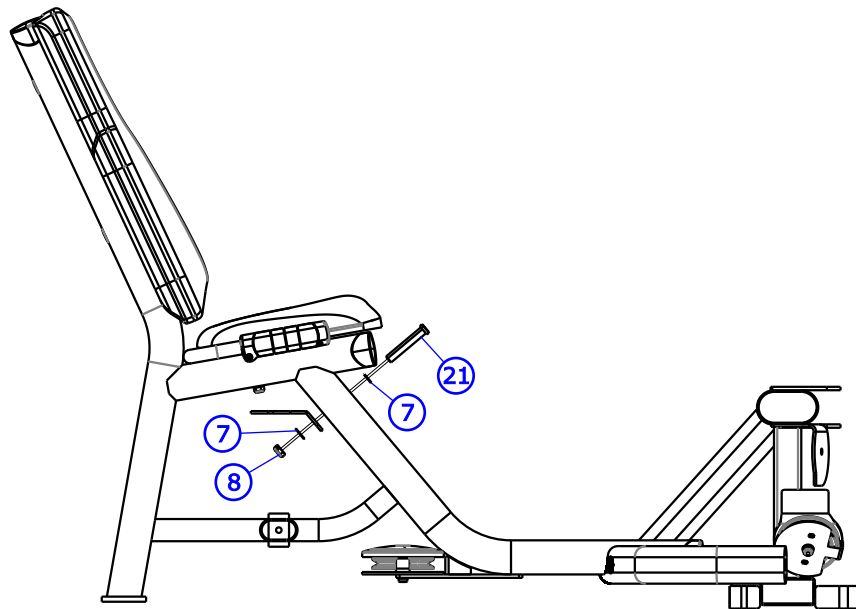
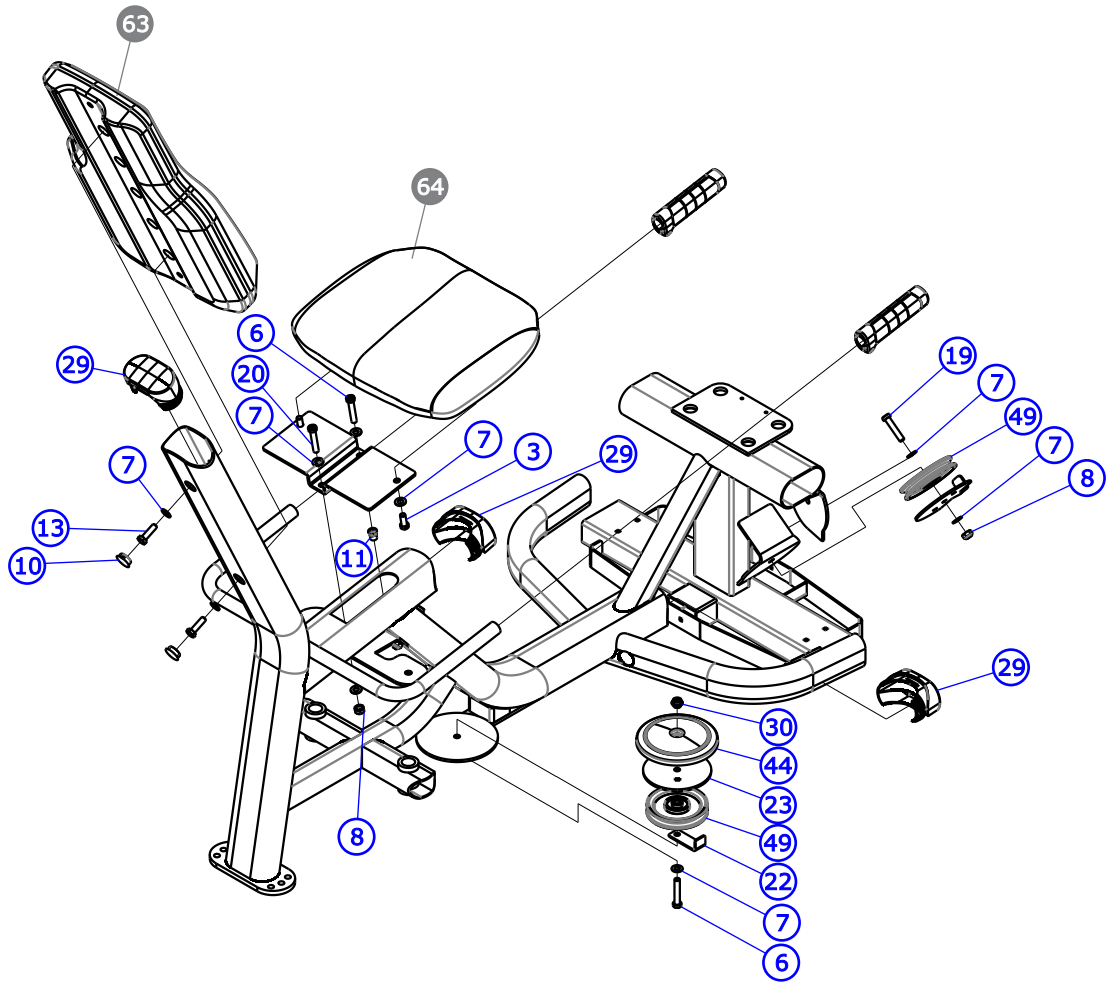
See page 9 for table

# Insignia Series Adductor Work Arm Components



See page 9 for table

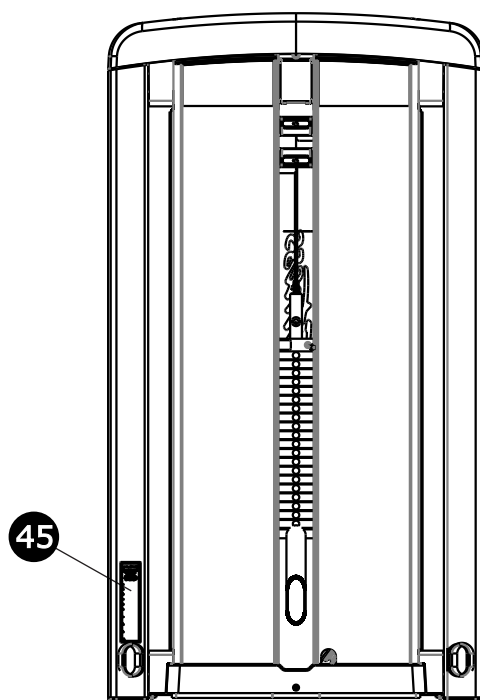
# Insignia Series Adductor Seat Components



**See page 9 for table**

# Insignia Series Adductor Labels

---



**See page 9 for table**

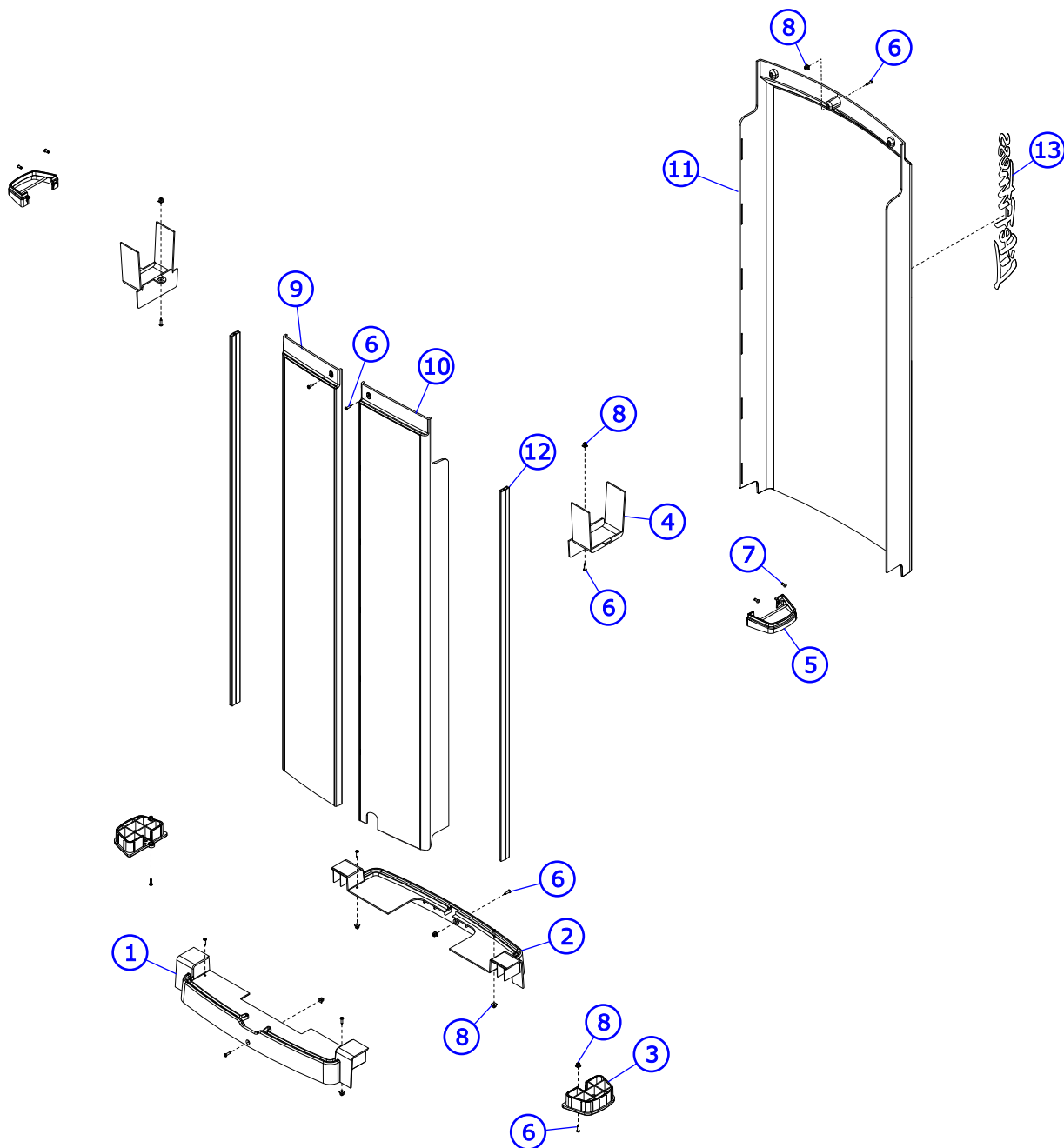


# Insignia Series Adductor Table

ITEM NO.	QTY.	PART NO.	DESCRIPTION	TRIM	
1	1	3110008	ROLL PIN, 1/8 X 1-1/4	S	L
2	6	3235601	BEARING, 6205 BALL	S	L
3	12	3236202	SCREW, M10 X1.5 25MM	S	L
4	5	3236204	SCREW, M10 X1.5 35MM	S	L
5	2	3236205	SCREW, M10 X1.5 40MM	S	L
6	2	3236208	SCREW, M10 X1.5 55MM	S	L
7	41	3236601	WASHER, 3/8 SAE SS	S	L
8	14	3236801	NUT, M10 HEX NYLOCK SS	S	L
9	4	3236902	NUT, HEX JAM M16 X 2 SS	S	L
10	8	3237407	PLUG, 1" HOLE	S	L
11	1	3238601	M10X1.5 BLIND THREADED INSERT (HEX)	S	L
12	2	3251202	SCREW, M10 X1.5 X 25MM UNS HEX CS ST ZN	S	L
13	2	3251204	SCREW, M10 X1.5 X 35MM UNS HEX CS ST ZN	S	L
14	2	3254703	NUT, M10 X 1.5 HEX ZINC	S	L
15	4	3275401	M10X1.5 BLIND THREADED INSERT (HEX) -HVY	S	L
16	2	3275502	SCREW, M10 X 1.5 X 25 SHCS, LOW HEAD -NO PATCH	S	L
17	4	3275504	SCREW, M10 X 1.5 X 35 SHCS, LOW HEAD -NO PATCH	S	L
18	1	3275505	SCREW, M10 X 1.5 X 40 SHCS, LOW HEAD -NO PATCH	S	L
19	4	3275507	SCREW, M10 X 1.5 X 50 SHCS, LOW HEAD -NO PATCH	S	L
20	1	3275508	SCREW, M10 X 1.5 X 55 SHCS, LOW HEAD -NO PATCH	S	L
21	2	3275514	SCREW, M10 X 1.5 X 85 SHCS, LOW HEAD -NO PATCH	S	L
22	2	6757701	CLIP, CABLE 2-7/8 X 1 X 1	S	L
23	1	7318201	PLATE, PULLEY	S	L
24	1	7322301	PLATE, 1.97 OD X .44 ID 10GA	S	L
25	3	7330001	SPACER, INTERNAL X .403	S	L
26	2	7330005	SPACER, INTERNAL X 6.265	S	L
27	1	7330006	SPACER, INTERNAL X 1.765	S	L
28	8	7333802	CAP, SMALL FLOV- END	S	L
29	3	7333902	CAP, LARGE FLOV- END	S	L
30	1	7335401	NUT, M10 X 1.5 SOCKET HEAD	S	L
31	4	7347301	NUT, SPIDER M10 X 1.5	S	L
32	1	7351501	SPRING, PULL PIN LARGE	S	L
33	2	7352002	BUMPER, 2-1/8 X 4-5/8	S	L
34	1	7385203	SPACER, .406 X .750 X .500	S	L
35	1	-	LABEL, SERIAL NUMBER, BLANK	S	L
36	1	7592001	SHAFT, FZ, 25MM	S	L
37	1	7592101	SHAFT, FZ, 25MM X 10.12 LG.	S	L
38	1	7593401	BRACKET, FZ, SEAT	S	L
39	4	7606202	GRIP, USER ARM	S	L
40	2	7690103	BUMPER, SLEEVE - 1 INCH DIA	S	L
41	2	7730901	BRKT, COVER/CABLE RETAINER	S	L
42	1	7795202	PIN, SPRING RATCHET - LONG	S	L
44	1	8102902	COVER, PULLEY-BOLTED FULL	S	L
45	1	8220099	LABEL, ASTM WARNING SELECT	S	L
46	1	9500101	PLATE, SS-HAD ADJ	S	L
47	1	9319301	FOOT, 2.50 X 4.49 FLOV	S	L
48	1	9461301	COVER, FOOT - 10 deg	S	L
49	5	9319901	PULLEY, 3/16 IN CABLE (T2), 4.5 IN OD	S	L
50	1	9411201	TRAY, TOWER TOP CAP	S	L
51	1	9436701	CAP, TOWER, TOP, PLASTIC	S	-
52	1	7626501	PAD, HIP HAD/HAB LT, NO BACKER BLK, SNGL STITCH	S	L
		1000011-0099	PAD, HIP HAD/HAD LH, NO BACKER CUS, SNGL STITCH		
		1000011-0101	PAD, HIP HAD/HAD LH, NO BACKER BLK, DBL STITCH		
		1000011-0199	PAD, HIP HAD/HAD LH, NO BACKER CUS, DBL STITCH		
53	1	9434502	ASSY, SS, COUNTER -SRT	S	L
54	1	9454703	KNOB, ADJ	S	L
55	1	9465201	LABEL, SS-HAD PLACARD, LH	S	L
56	1	7626601	PAD, HIP HAD/HAB RH, NO BACKER BLK, SNGL STITCH	S	L
		1000012-0099	HIP HAD/HAD RH, NO BACKER CUS, SNGL STITCH		
		1000012-0101	HIP HAD/HAD RH, NO BACKER BLK, DBL STITCH		
		1000012-0199	HIP HAD/HAD RH, NO BACKER CUS, DBL STITCH		
57	1	9476801	LABEL, SS-HAD PLACARD, RH	S	L
58	1	9482701	BRKT, SS-HAD/HAB	S	L
59	1	9488901	LABEL, INSIGNIA, FCC	S	L
60	2	9498901	CABLE, SS-HAB/HAD, BE, BE	S	L
61	2	9499600	PLATE, FOOT, HAD	S	L
62	1	9499902	LABEL, SS-HAD, ADJ	S	L
63	1	1000018-0001	PAD, LARGE BACK BLK, SNGL STITCH	S	L
		1000018-0099	PAD, LARGE BACK CUS, SNGL STITCH		
		1000018-0101	PAD, LARGE BACK BLK, DBL STITCH		
		1000018-0199	PAD, LARGE BACK CUS, DBL STITCH		

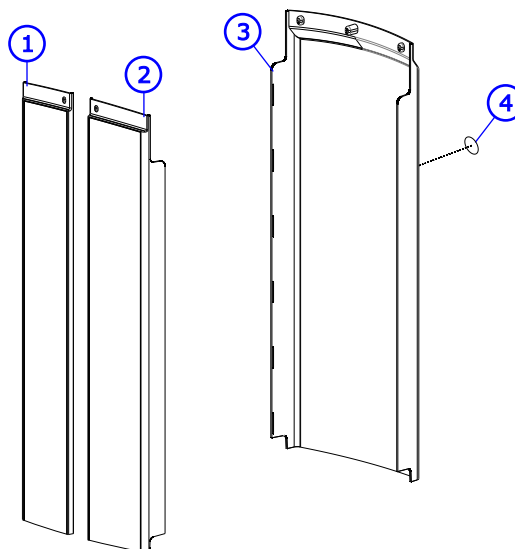
# Insignia Series Hip Adductor

## Tower Plastics



ITEM NO.	QTY.	PART NO.	DESCRIPTION
1	1	9410801	COVER, TOWER BOTTOM -FRONT
2	1	9411001	COVER, TOWER BOTTOM -REAR
3	2	9412701	ASSY, TRAP TUBE, CAP, BOTTOM
4	2	9415701	COVER, UPPER CROSS MEMBER
5	2	9415801	GASKET, TRAP TUBE
6	13	3275801	SCREW, 8 X 3/4 DIN PHL PAN AB ST ZB
7	4	0017-00101-1587	RVT 201X0413X.354 T NY NO
8	11	0017-00042-1147	GROMMET: SCREW; 8 OR 10
9	1	9410601	SHROUD, TOWER FRONT, LT - SHORT
10	1	9410703	SHROUD, SS-HAB/HAD, FNT, RT
11	1	9411101	SHROUD, TOWER REAR - SHORT
12	2	9414601	SHROUD EXTRUSION - SHORT
13	1	9489101	LABEL, LIFE FITNESS

# Insignia Series Hip Adductor Shroud Wraps



BAMBOO	DATE MADE	SERIAL #	ITEM	QTY.	PART NO.	DESCRIPTION
	1/1/2015 - 3/31/2016	PRIOR TO SS-XX0416001	1	1	9511802	SHROUD, SS, FNT, LT, SRT-BAM
			2	1	9512102	SHROUD, SS-HAB/HAD, FNT, RT -BAM
			3	1	9511902	SHROUD, SS, REAR, SRT-BAM
	4/01/2016 - PRESENT	ON OR AFTER SS-XX0416001	1	1	1003204-0002	SHROUD, SS, FNT, LT, SRT, ABS-BAM
			2	1	1003216-0002	SHROUD, SS-HAB/HAD, FNT, RT, ABS-BAM
			3	1	1003205-0002	SHROUD, SS, REAR, SRT, ABS-BAM

SKY	DATE MADE	SERIAL #	ITEM	QTY.	PART NO.	DESCRIPTION
	1/1/2015 - 3/31/2016	PRIOR TO SS-XX0416001	1	1	9511803	SHROUD, SS, FNT, LT, SRT-SKY
			2	1	9512103	SHROUD, SS, FNT, RT, SRT-SKY
			3	1	9511903	SHROUD, SS, REAR, SRT-SKY
	4/01/2016 - PRESENT	ON OR AFTER SS-XX0416001	1	1	1003204-0003	SHROUD, SS, FNT, LT, SRT, ABS-SKY
			2	1	1003216-0003	SHROUD, SS, FNT, RT, SRT, ABS-SKY
			3	1	1003205-0003	SHROUD, SS, REAR, SRT, ABS-SKY

BRONZE	DATE MADE	SERIAL #	ITEM	QTY.	PART NO.	DESCRIPTION
	1/1/2015 - 3/31/2016	PRIOR TO SS-XX0416001	1	1	9511804	SHROUD, SS, FNT, LT, SRT-BRZ
			2	1	9512104	SHROUD, SS-HAB/HAD, FNT, RT -BRZ
			3	1	9511904	SHROUD, SS, REAR, SRT-BRZ
	4/01/2016 - PRESENT	ON OR AFTER SS-XX0416001	1	1	1003204-0004	SHROUD, SS, FNT, LT, SRT, ABS-BRZ
			2	1	1003216-0004	SHROUD, SS-HAB/HAD, FNT, RT, ABS-BRZ
			3	1	1003205-0004	SHROUD, SS, REAR, SRT, ABS-BRZ

STEM	DATE MADE	SERIAL #	ITEM	QTY.	PART NO.	DESCRIPTION
	1/1/2015 - 3/31/2016	PRIOR TO SS-XX0416001	1	1	9511805	SHROUD, SS, FNT, LT, SRT-STM
			2	1	9512105	SHROUD, SS-HAB/HAD, FNT, RT -STM
			3	1	9511905	SHROUD, SS, REAR, SRT-STM
	4/01/2016 - PRESENT	ON OR AFTER SS-XX0416001	1	1	1003204-0005	SHROUD, SS, FNT, LT, SRT, ABS-STM
			2	1	1003216-0005	SHROUD, SS-HAB/HAD, FNT, RT, ABS-STM
			3	1	1003205-0005	SHROUD, SS, REAR, SRT, ABS-STM

ROSEWOOD	DATE MADE	SERIAL #	ITEM	QTY.	PART NO.	DESCRIPTION
	1/1/2015 - 3/31/2016	PRIOR TO SS-XX0416001	1	1	9511806	SHROUD, SS, FNT, LT, SRT-RSW
			2	1	9512106	SHROUD, SS-HAB/HAD, FNT, RT -RSW
			3	1	9511906	SHROUD, SS, REAR, SRT-RSW
	4/01/2016 - PRESENT	ON OR AFTER SS-XX0416001	1	1	1003204-0006	SHROUD, SS, FNT, LT, SRT, ABS-RSW
			2	1	1003216-0006	SHROUD, SS-HAB/HAD, FNT, RT, ABS-RSW
			3	1	1003205-0006	SHROUD, SS, REAR, SRT, ABS-RSW

STAINLESS STEEL	DATE MADE	SERIAL #	ITEM	QTY.	PART NO.	DESCRIPTION
	1/1/2015 - 3/31/2016	PRIOR TO SS-XX0416001	1	1	9511807	SHROUD, SS, FNT, LT, SRT-SS
			2	1	9512107	SHROUD, SS-HAB/HAD, FNT, RT -SS
			3	1	9511907	SHROUD, SS, REAR, SRT-SS
	4/01/2016 - PRESENT	ON OR AFTER SS-XX0416001	1	1	1003204-0007	SHROUD, SS, FNT, LT, SRT, ABS-SS
			2	1	1003216-0007	SHROUD, SS-HAB/HAD, FNT, RT, ABS-SS
			3	1	1003205-0007	SHROUD, SS, REAR, SRT, ABS-SS

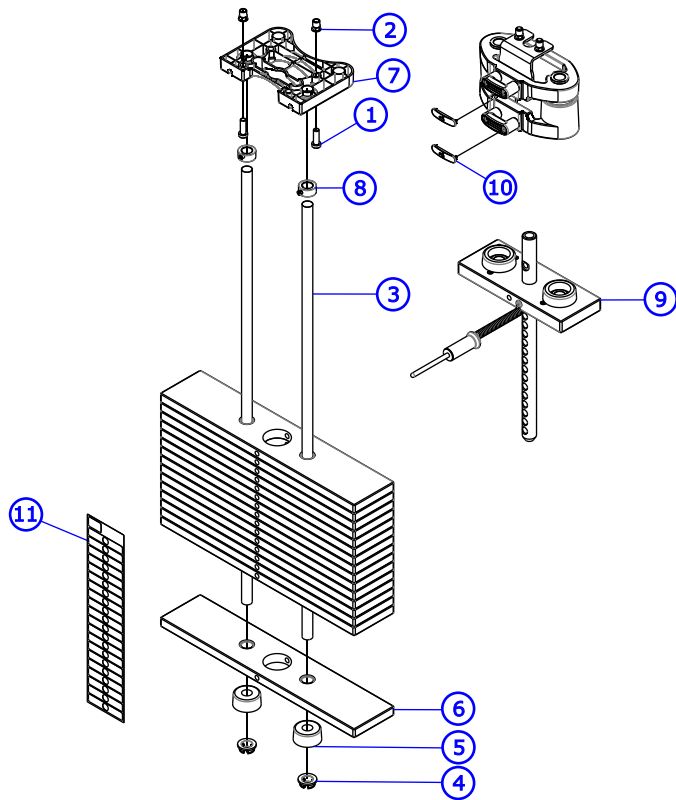
PREMIUM STAINLESS STEEL	DATE MADE	SERIAL #	ITEM	QTY.	PART NO.	DESCRIPTION
	4/01/2016 - PRESENT	ON OR AFTER SS-XX0416001	1	1	1003204-0008	SHROUD, SS, FNT, LT, SRT, ABS-PSS
			2	1	1003216-0008	SHROUD, SS, FNT, RT, SRT, ABS-PSS
			3	1	1003205-0008	SHROUD, SS, REAR, SRT, ABS-PSS

PREMIUM BLACK CARBON FIBER	DATE MADE	SERIAL #	ITEM	QTY.	PART NO.	DESCRIPTION
	4/01/2016 - PRESENT	ON OR AFTER SS-XX0416001	1	1	1003204-0009	SHROUD, SS, FNT, LT, SRT, ABS-PBCF
			2	1	1003216-0009	SHROUD, SS, FNT, RT, SRT, ABS-PBCF
			3	1	1003205-0009	SHROUD, SS, REAR, SRT, ABS-PBCF

4	1	AK58-00245-2401	MEDALLION-ASSY;LF-BUG B
---	---	-----------------	-------------------------

# Insignia Series Hip Adductor Weight Stack Assemblies

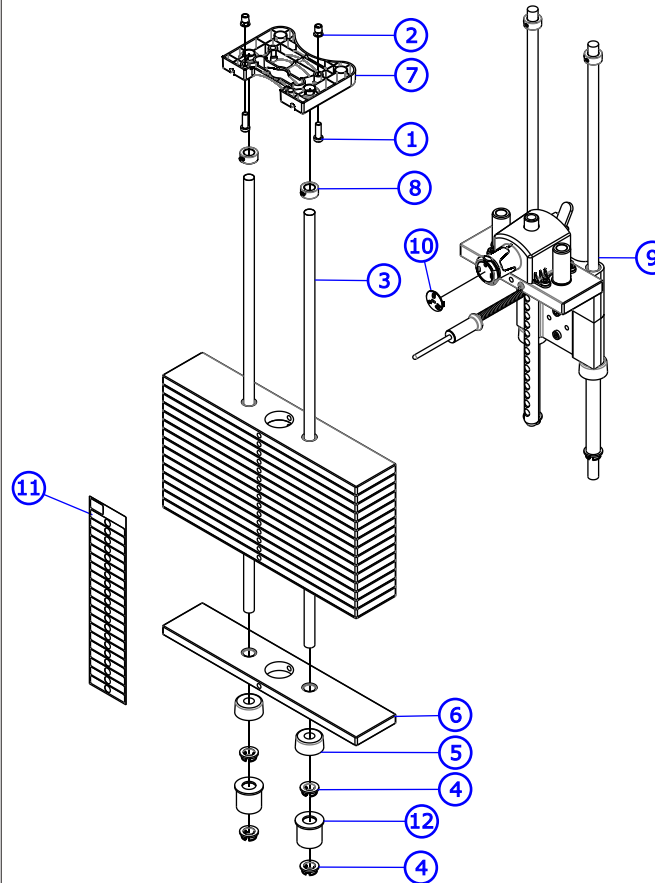
## T - Base



Uses Cable 9423903 (127.75")

ITEM NO.	QTY.	PART NO.	DESCRIPTION
1	2	3236203	SCREW, M10 X1.5 30MM
2	2	3238601	M10X1.5 BLIND THREADED INSERT (HEX)
3	2	7328625	GUIDE ROD, .75 OD SOLID 37.14
4	2	7337901	BUSHING, GUIDE ROD
5	2	7352101	CUSHION, WEIGHT STACK
6	16	9407601	WGT PL, 3/4IN X 4IN, 15 LB
7	1	9412801	RETAINER, GUIDE ROD - TOP
8	2	3103301	SHAFT COLLAR, 3/4 IN ID
9	1	SEE PAGE 13	ASSY, SS, HEAD PLATE, STD -16
10	1	9462303	CAP, DD INC WGT, YEL -LBS
		9462403	CAP, DD INC WGT, YEL -KG
11	1	9475301	LABEL, 3/4 IN WGT STACK, 295 LB
		9475201	LABEL, 3/4 IN WGT STACK, 147.5 KG

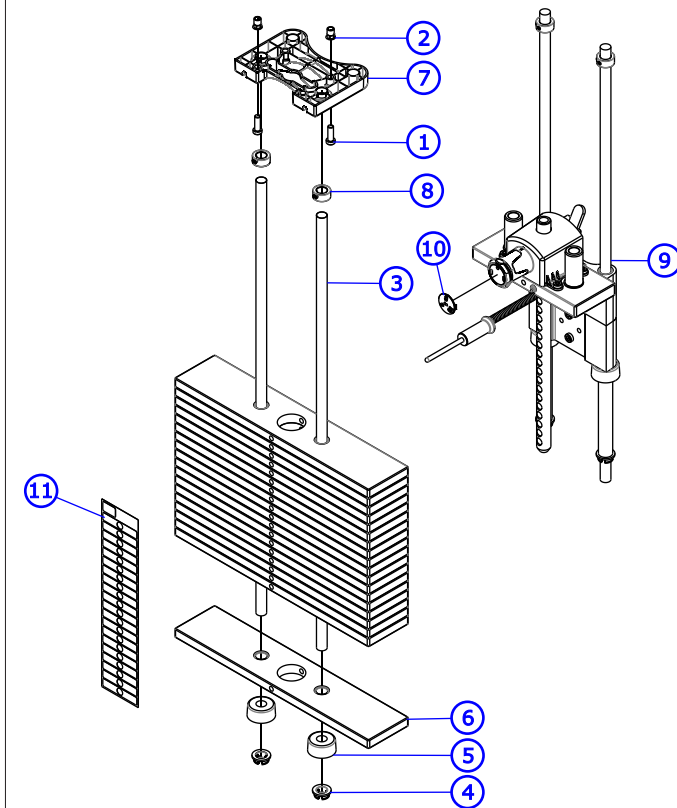
## C - Light



Uses Cable 9423904 (125.5")

ITEM NO.	QTY.	PART NO.	DESCRIPTION
1	2	3236203	SCREW, M10 X1.5 30MM
2	2	3238601	M10X1.5 BLIND THREADED INSERT (HEX)
3	2	7328625	GUIDE ROD, .75 OD SOLID 37.14
4	4	7337901	BUSHING, GUIDE ROD
5	2	7352101	CUSHION, WEIGHT STACK
6	16	9407601	WGT PL, 3/4IN X 4IN, 15 LB
7	1	9412801	RETAINER, GUIDE ROD - TOP
8	2	3103301	SHAFT COLLAR, 3/4 IN ID
9	1	SEE PAGE 15	ASSY, SS, HEAD PLATE, DIAL, STD -16
10	1	9431403	CAP, SELECTOR KNOB -LBS
		9450103	CAP, SELECTOR KNOB -KGS
		9475301	LABEL, 3/4 IN WGT STACK, 295 LB
11	1	9475201	LABEL, 3/4 IN WGT STACK, 147.5 KG
		9495912	WLDMT, WGT STK SPACER X 2.25 -CHR

## X - Heavy



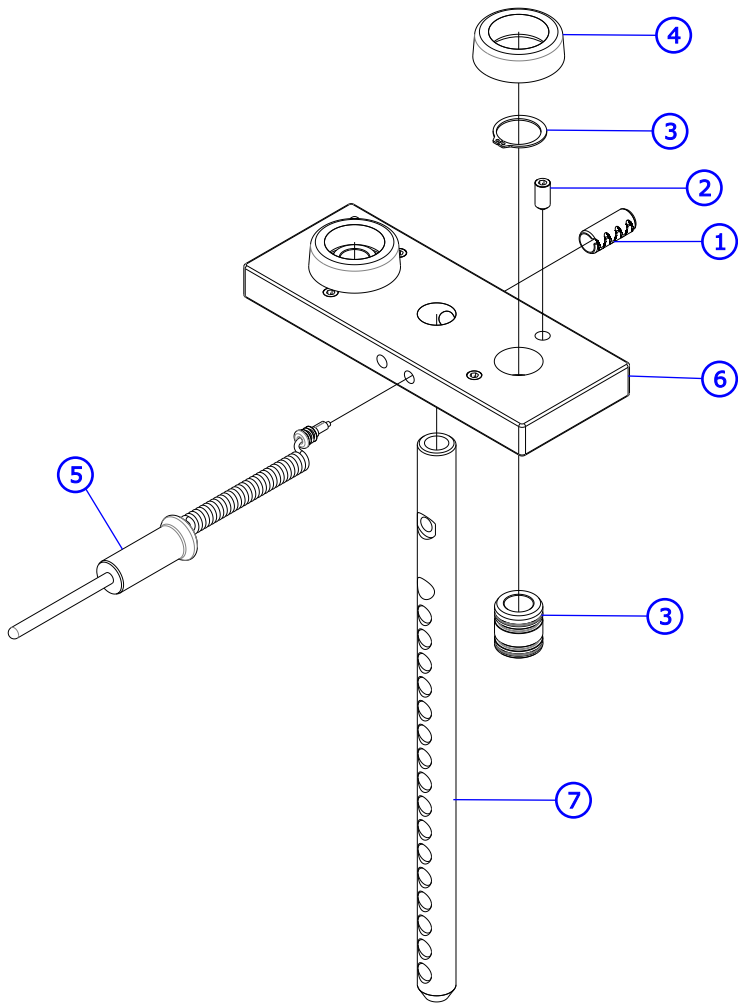
Uses Cable 9423904 (125.5")

ITEM NO.	QTY.	PART NO.	DESCRIPTION
1	2	3236203	SCREW, M10 X1.5 30MM
2	2	3238601	M10X1.5 BLIND THREADED INSERT (HEX)
3	2	7328625	GUIDE ROD, .75 OD SOLID 37.14
4	2	7337901	BUSHING, GUIDE ROD
5	2	7352101	CUSHION, WEIGHT STACK
6	19	9407601	WGT PL, 3/4IN X 4IN, 15 LB
7	1	9412801	RETAINER, GUIDE ROD - TOP
8	2	3103301	SHAFT COLLAR, 3/4 IN ID
9	1	SEE PAGE 15	ASSY, SS, HEAD PLATE, DIAL, HVY -19
10	1	9431403	CAP, SELECTOR KNOB -LBS
		9450103	CAP, SELECTOR KNOB -KGS
		9475301	LABEL, 3/4 IN WGT STACK, 295 LB
11	1	9475201	LABEL, 3/4 IN WGT STACK, 147.5 KG
		9475201	LABEL, 3/4 IN WGT STACK, 147.5 KG

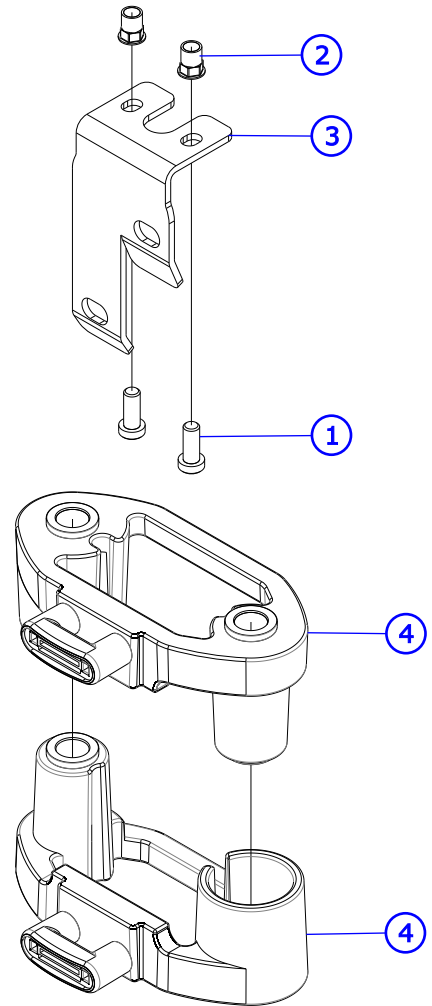
# Insignia Series Hip Adductor

## T Trim Head Plate and Drop Down Increment Weights

**T Trim**



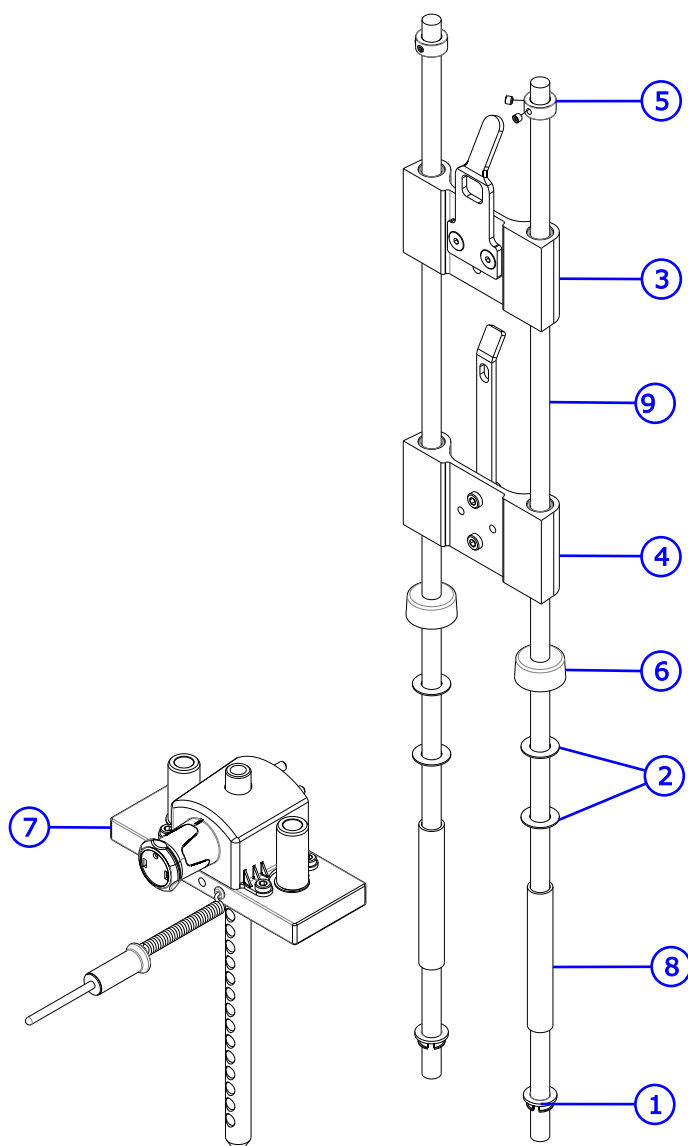
ITEM NO.	QTY.	PART NO.	DESCRIPTION
1	1	3236001	BUSHING, SPRING PIN
2	4	3240501	M10 X 1.5 HXS NO CUP ST BO
3	2	7338001	BUSHING, HEADPLATE
4	2	7767602	BUMPER, INCREMENT WT -BLK
5	1	1003679-0003	ASSY, WGT STK SELECTOR PIN -YELLOW
6	1	9427401	HEADPLATE, WT. STACK, 10LB
7	1	9434202	BAYONET, 16 PLATE



ITEM NO.	QTY.	PART NO.	DESCRIPTION
1	2	3236202	SCREW, M10 X1.5 25MM
2	2	3238601	M10X1.5 BLIND THREADED INSERT (HEX)
3	1	9430801	BRKT, INC WGT STRIKER
4	2	9455403	ASSY, DD INC WGT -YEL

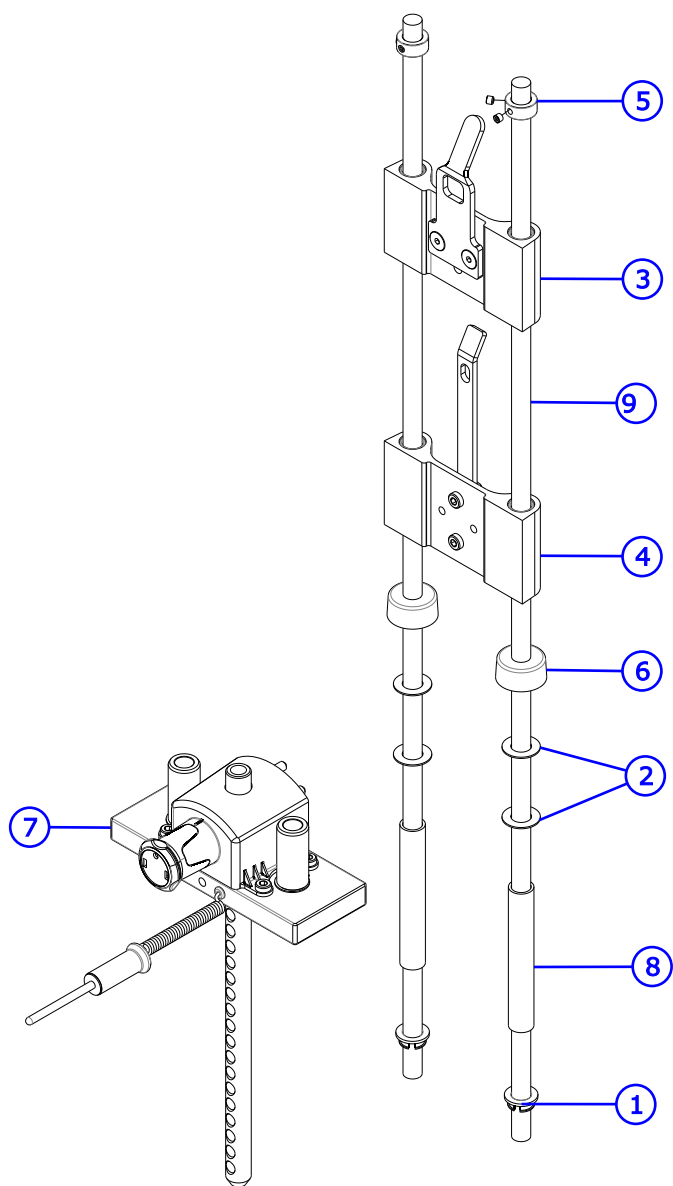
# Insignia Series Hip Adductor C and X Trim Stack Components

## C Trim



ITEM NO.	QTY.	PART NO.	DESCRIPTION
1	2	7337901	BUSHING, GUIDE ROD
2	4	7351001	SPACER, INC WT STACK
3	1	SEE PAGE 16	ASSY, INC WGT -5LB
4	1	SEE PAGE 16	ASSY, INC WGT -10LB
5	2	3103301	SHAFT COLLAR, 3/4 IN ID
6	2	7352101	CUSHION, WEIGHT STACK
7	1	SEE PAGE 15	ASSY, SS, HEAD PLATE, DIAL, STD -16
8	2	7328704	SPACER, INC WT STACK 19 PLATE
9	2	7328625	GUIDE ROD, .75 OD SOLID X 37.14

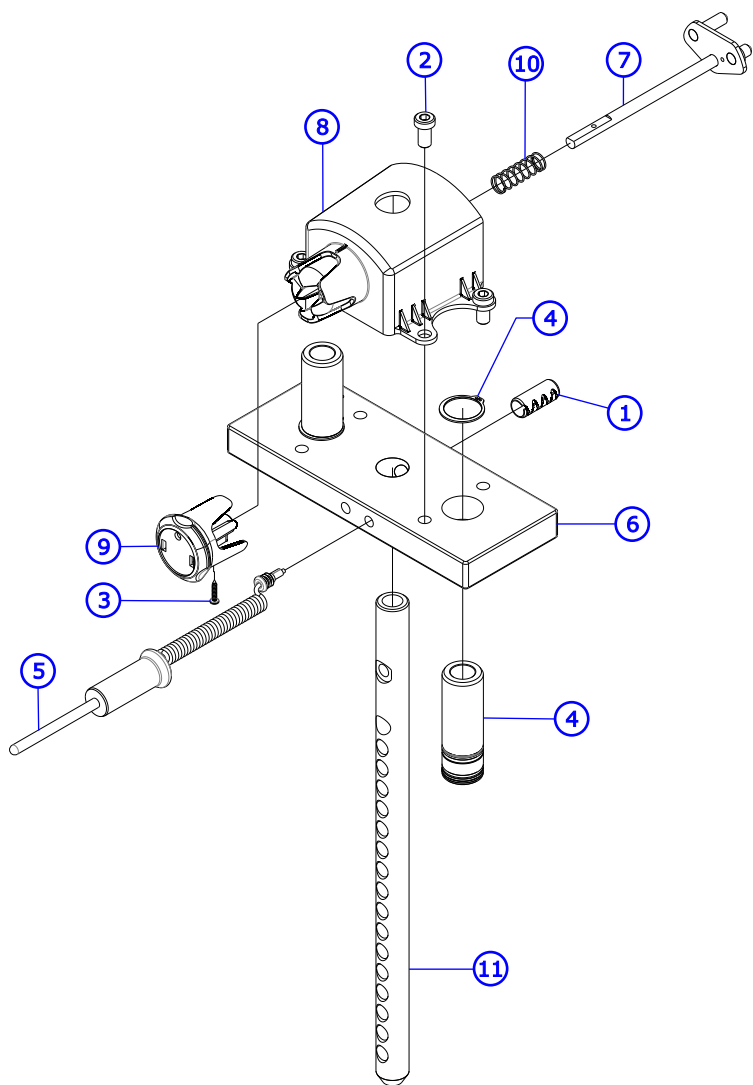
## X Trim



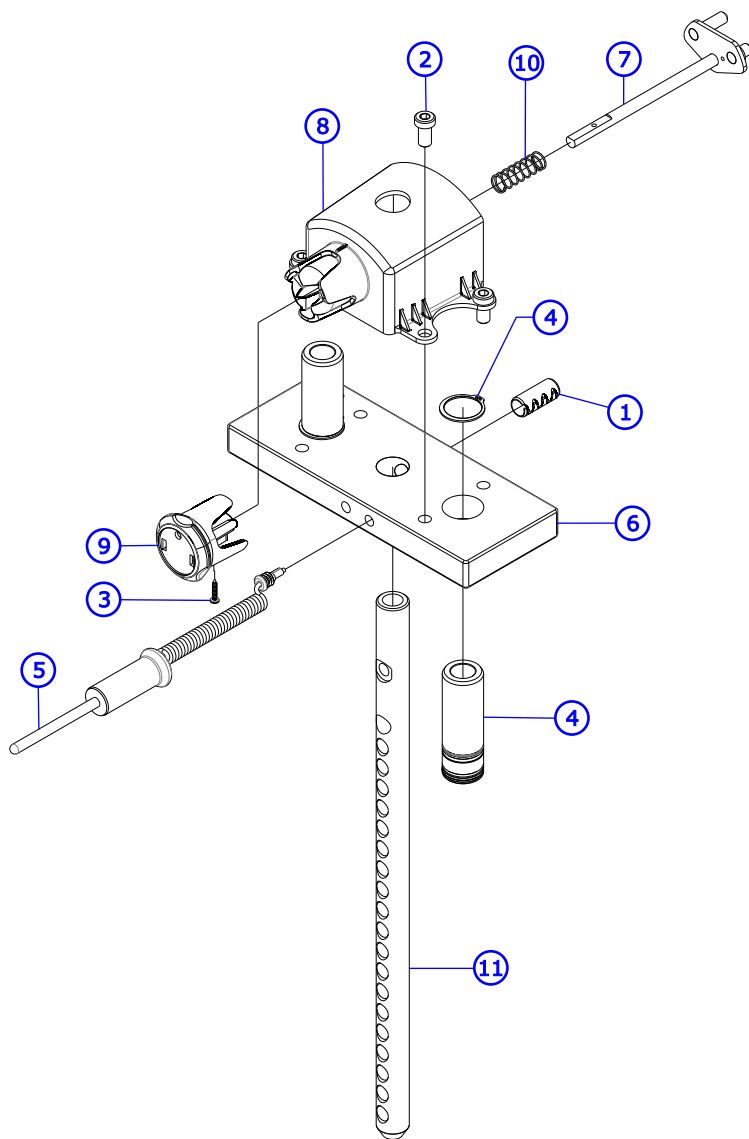
ITEM NO.	QTY.	PART NO.	DESCRIPTION
1	2	7337901	BUSHING, GUIDE ROD
2	4	7351001	SPACER, INC WT STACK
3	1	SEE PAGE 16	ASSY, INC WGT -5LB
4	1	SEE PAGE 16	ASSY, INC WGT -10LB
5	2	3103301	SHAFT COLLAR, 3/4 IN ID
6	2	7352101	CUSHION, WEIGHT STACK
7	1	SEE PAGE 15	ASSY, SS, HEAD PLATE, HVY -19
8	2	7328704	SPACER, INC WT STACK 19 PLATE
9	2	7328625	GUIDE ROD, .75 OD SOLID X 37.14

# Insignia Series Hip Adductor C and X Trim Head Plate Assemblies

**C Trim**



**X Trim**



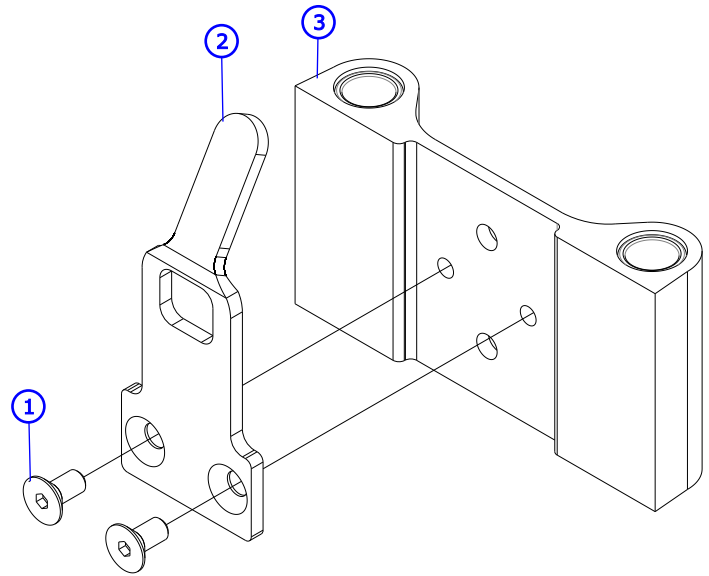
ITEM NO.	QTY.	PART NO.	DESCRIPTION
1	1	3236001	BUSHING, SPRING PIN
2	4	3236201	SCREW, M10 X1.5 20MM
3	1	3275601	SCREW, 6 X 3/4 DIN PHL PAN AB ST ZB
4	2	9296001	BUSHING, HEADPLATE, LONG
5	1	1003679-0003	ASSY, WGT STK SELECTOR PIN -YELLOW
6	1	9427401	HEADPLATE, WT. STACK, 10LB
7	1	9427501	WLDMT, INC WGT PIN
8	1	9430501	HSNG, INC WEIGHT
9	1	9443201	KNOB, INC WEIGHT
10	1	9443301	SPRING, INC WGT PIN
11	1	9434202	BAYONET, 16 PLATE

ITEM NO.	QTY.	PART NO.	DESCRIPTION
1	1	3236001	BUSHING, SPRING PIN
2	4	3236201	SCREW, M10 X1.5 20MM
3	1	3275601	SCREW, 6 X 3/4 DIN PHL PAN AB ST ZB
4	2	9296001	BUSHING, HEADPLATE, LONG
5	1	1003679-0003	ASSY, WGT STK SELECTOR PIN -YELLOW
6	1	9427401	HEADPLATE, WT. STACK, 10LB
7	1	9427501	WLDMT, INC WGT PIN
8	1	9430501	HSNG, INC WEIGHT
9	1	9443201	KNOB, INC WEIGHT
10	1	9443301	SPRING, INC WGT PIN
11	1	9426002	BAYONET, 19 PLATE

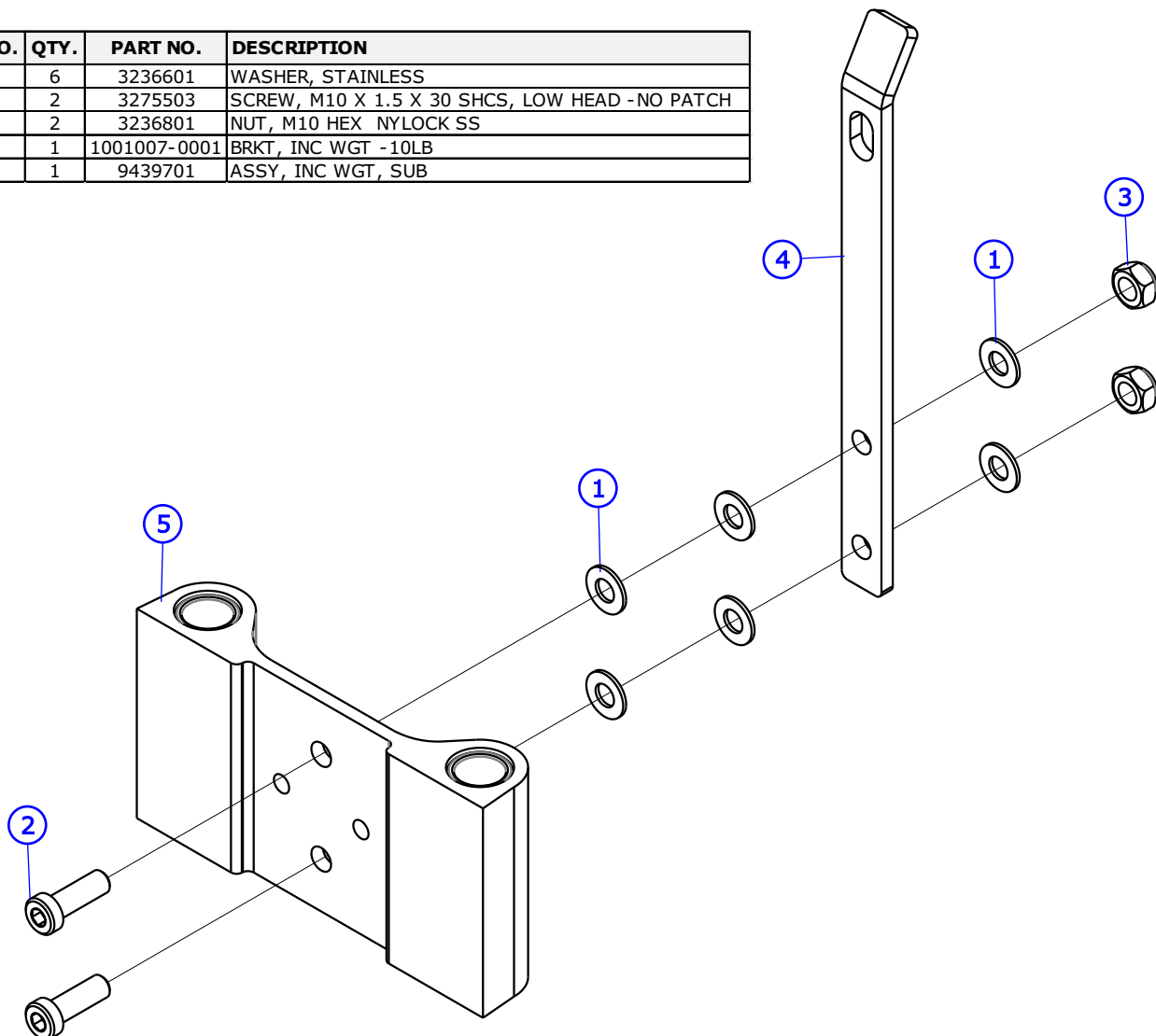
# Insignia Series Hip Adductor

## C and X Trim Incremental Weights

ITEM NO.	QTY.	PART NO.	DESCRIPTION
1	2	3238301	M10x1.5x20mm
2	1	9428201	BRKT, INC WGT -5 LB
3	1	9439701	ASSY, INC WGT, SUB



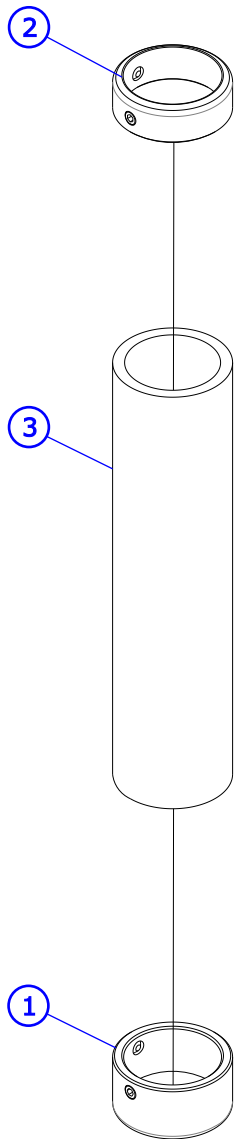
ITEM NO.	QTY.	PART NO.	DESCRIPTION
1	6	3236601	WASHER, STAINLESS
2	2	3275503	SCREW, M10 X 1.5 X 30 SHCS, LOW HEAD -NO PATCH
3	2	3236801	NUT, M10 HEX NYLOCK SS
4	1	1001007-0001	BRKT, INC WGT -10LB
5	1	9439701	ASSY, INC WGT, SUB





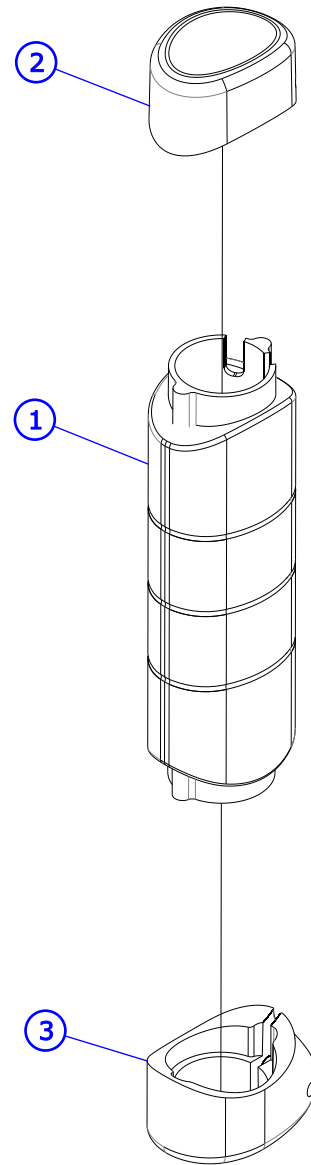
# Insignia Series Hip Adductor Grip Assemblies

## S Trim



ITEM NO.	QTY.	PART NO.	DESCRIPTION
1	1	7662901	CAP, GRIP 1.25 OD
2	1	7662801	RING, GRIP
3	1	3235806	GRIP, 1.25 OD X .125 WALL, OPEN END

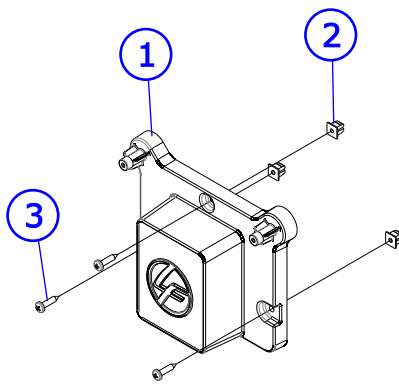
## L Trim



ITEM NO.	QTY.	PART NO.	DESCRIPTION
1	1	9453001	GRIP, ERGO, OVERMOLD
2	1	1001761-0001	ASSY, CAP, GRIP
3	1	1001760-0001	ASSY, COLLAR, ERGO GRIP

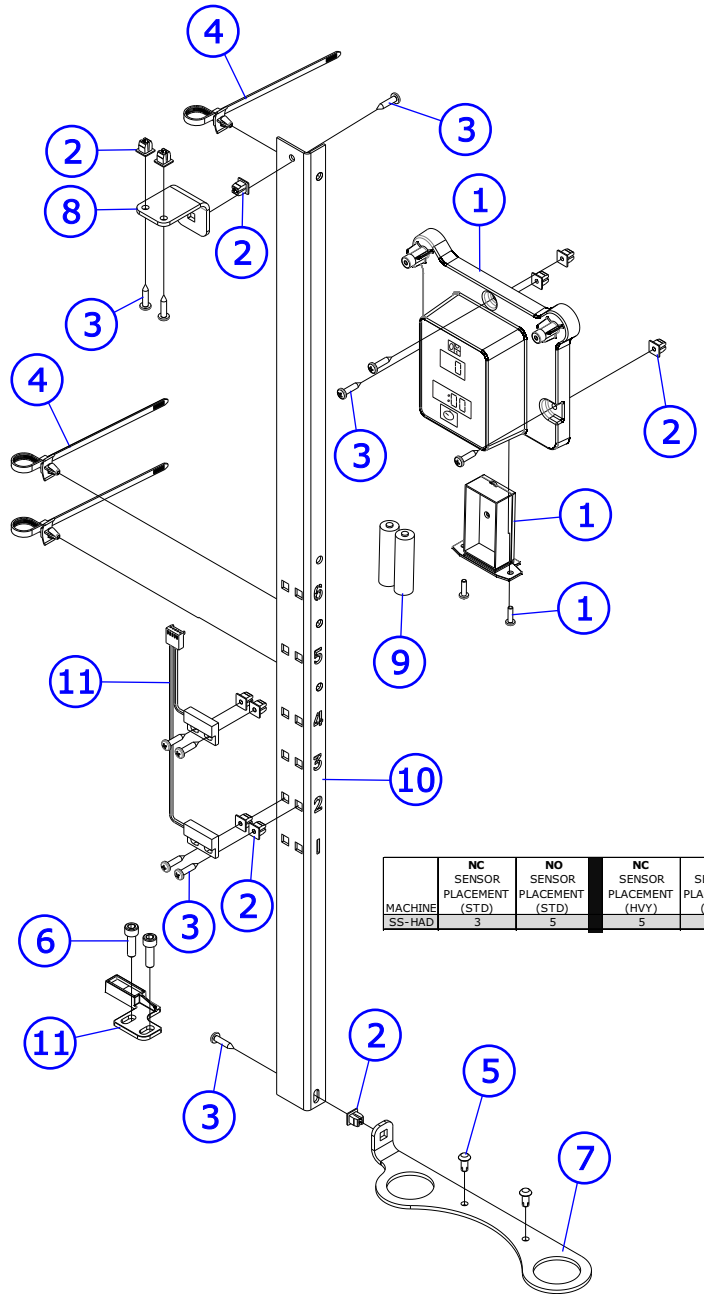
# Insignia Series Hip Adductor Sensor Assemblies

## S Trim



ITEM NO.	QTY.	PART NO.	DESCRIPTION
1	1	9437401	SS - ASSY, DISPLAY, BASE
2	3	0017-00042-1147	GROMMET: SCREW; 8 OR 10
3	3	3275801	SCREW, 8 X 3/4 DIN PHL PAN AB ST ZB

## L Trim



	NC SENSOR PLACEMENT (STD)	NO SENSOR PLACEMENT (STD)	NC SENSOR PLACEMENT (HVV)	NO SENSOR PLACEMENT (HVV)
MACHINE				
SS-HAD	3	5	5	6

ITEM NO.	QTY.	PART NO.	DESCRIPTION
1	1	9417701	ASSY, DISPLAY, COUNTER
2	11	0017-00042-1147	GROMMET: SCREW; 8 OR 10
3	11	3275801	SCREW, 8 X 3/4 DIN PHL PAN AB ST ZB
4	3	3276101	GROMMET, CABLE TIE
5	2	0017-00101-1587	RVT 201X0413X.354 T NY NO
6	2	3241701	SCREW, M6 X1 20MM
7	1	9432728	BRKT, SS, SWITCH MNT -CHGR
8	1	9434828	BRKT, SS, SWITCH MNT
9	2	-	BATTERY, AA
10	1	9459228	BRKT, SS, SWITCH MNT, SRT -CHR
11	1	1000585-0001	ASSY, SS, PROX SWITCH/MAGNET

# Insignia Series Hip Adductor Cable Routing

---

Weight Stack Cable

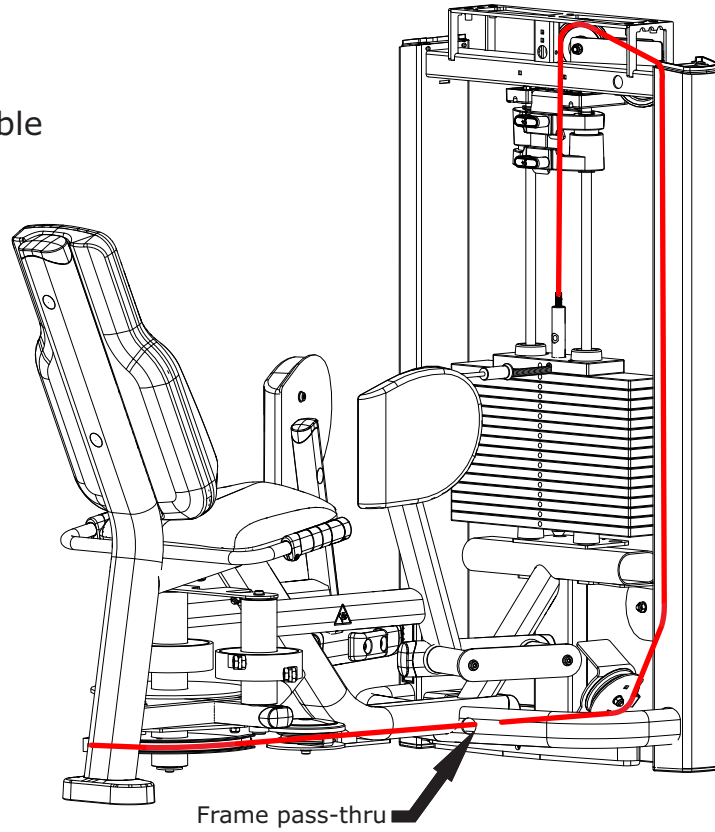


Figure 8 Cable (TOP)

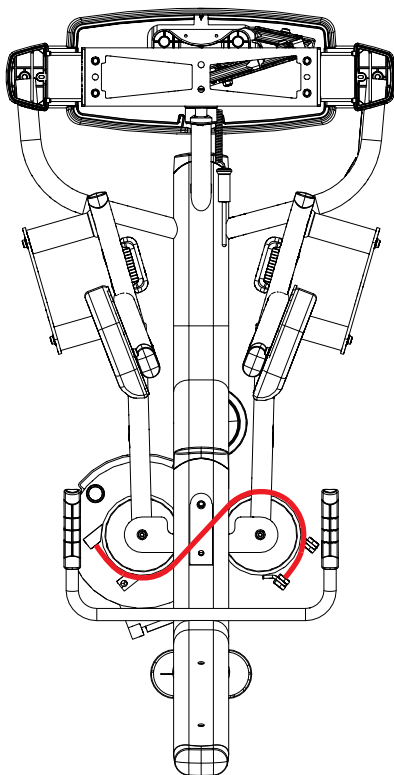


Figure 8 Cable (BOTTOM)

