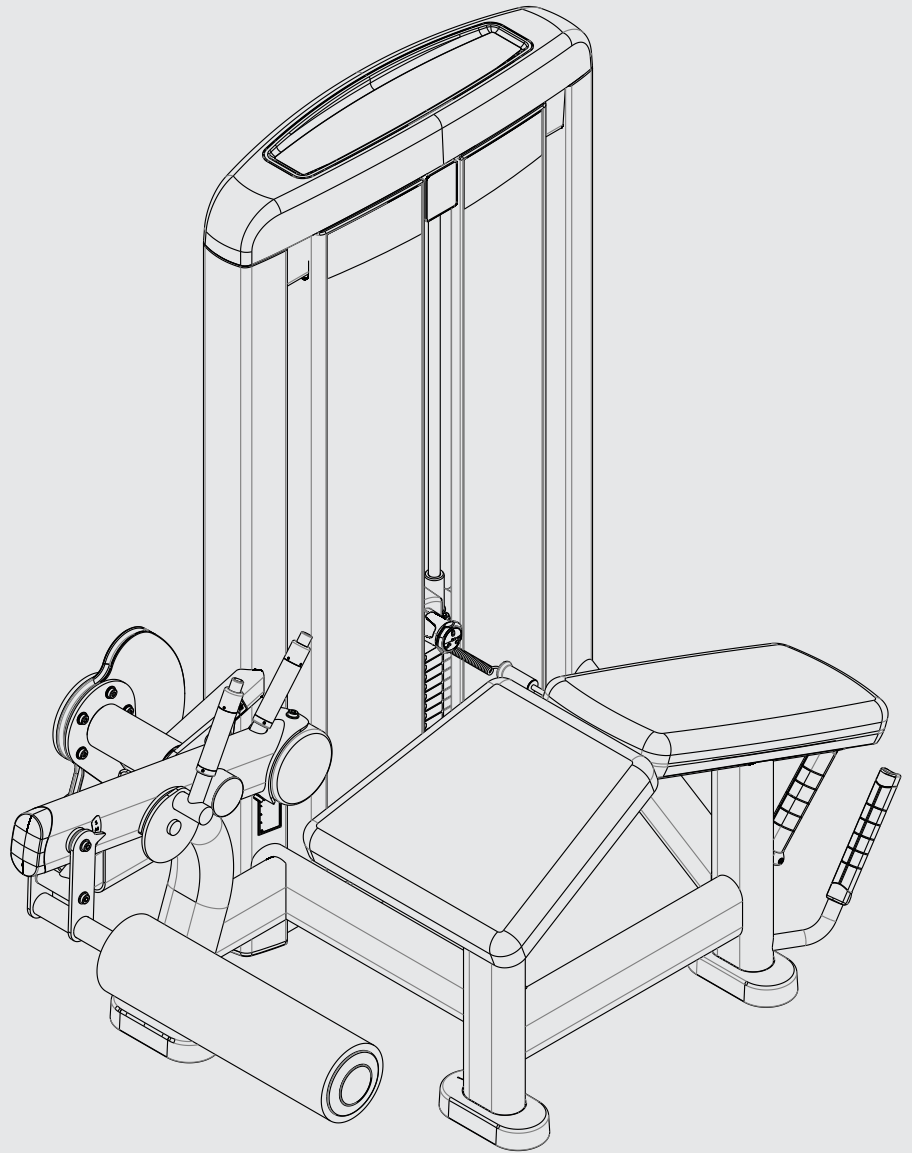


INSIGNIA SERIES

LEG CURL

SS-LC

PARTS MANUAL



Insignia Series Leg Curl

Contents

Options and Key	3
Powder Coat Painted Frame Weldments	4
Component Assembly	5
Labels	6
Table	7
Tower Plastics	8
Shroud Wraps	9
Weight Stack Assemblies	10
T Trim Head Plate and Drop Down Increment Weights	11
C and X Trim Stack Components	12
C and X Trim Head Plate Assemblies	13
C and X Trim Incremental Weights	14
Grip Assemblies	15
Sensor Assemblies	16

Insignia Series Leg Curl

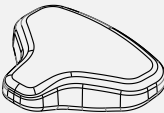
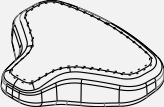
Options and Key

FRAME COLOR OPTION

SELECT POWDERCOAT COLOR

- BLACK
- BLUE
- CANDY APPLE RED
- CHARCOAL
- DIAMOND WHITE
- ELECTRIC BLUE
- ICE BLUE METALLIC
- MIDNIGHT METALLIC
- MOCHA SAND
- NICKEL
- PLATINUM
- RED
- TITANIUM
- WHITE
- YELLOW
- CUSTOM

UPHOLSTERY OPTION

- SINGLE STITCH
- 
- DOUBLE STITCH
- 

UPHOLSTERY COLOR OPTION

- AMERICAN BEAUTY RED
- AZURE
- BLACK
- BLACK CARBON FIBER
- BURGUNDY
- CANDLY APPLE RED
- CHESTNUT
- CONCORD
- CRANBERRY
- CROCUS
- DARK WALNUT
- DOVE GRAY
- EMERALD
- GRAPHITE
- GROTTO
- GUN METAL
- HUNTER GREEN
- IMPERIAL BLUE
- JADE
- NAVY
- NORTHWOODS GREEN
- PAPRIKA
- PLUM
- PUTTY
- REGIMENTAL BLUE
- ROYAL BLUE
- SLATE
- SPACE BLUE
- SUEDE
- TERRA COTTA
- TURQUOISE
- WHEAT
- CUSTOM

LANGUAGE OPTION

SELECT LANGUAGE

- 01 ENGLISH
- 02 GERMAN
- 03 FRENCH
- 04 SPANISH
- 05 ITALIAN
- 06 DUTCH
- 07 JAPANESE
- 08 PORTUGUESE
- 10 RUSSIAN
- 11 TURKISH
- 12 CHINESE
- 13 ARABIC

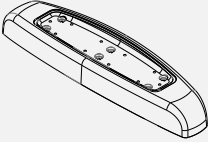

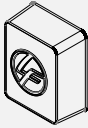
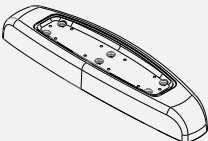

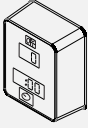
WEIGHT STACK OPTION

- T - BASE STACK
- C - LIGHT STACK
- X - HEAVY STACK
- POUNDS
- KILOGRAMS

SHROUD WRAP OPTION

- BAMBOO
- BLACK CARBON FIBER
- BRONZE
- FULL SHROUD
- PREMIUM STAINLESS STEEL
- ROSEWOOD
- SKY
- STAINLESS STEEL
- STEM
- CUSTOM

TRIM OPTION

- S
 - PLASTIC TOWER CAP
 - STANDARD GRIP
 - NO REP COUNTER


- L
 - PAINTED CAST TOWER CAP
 - ERGO GRIP
 - REP COUNTER



KEY

LANGUAGE 1 2 3

Items with Black call-outs require the last two digits (XX) to be replaced with language codes listed above. IE: 12345XX should be 1234501 for English.

UPHOLSTERY 1 2 3

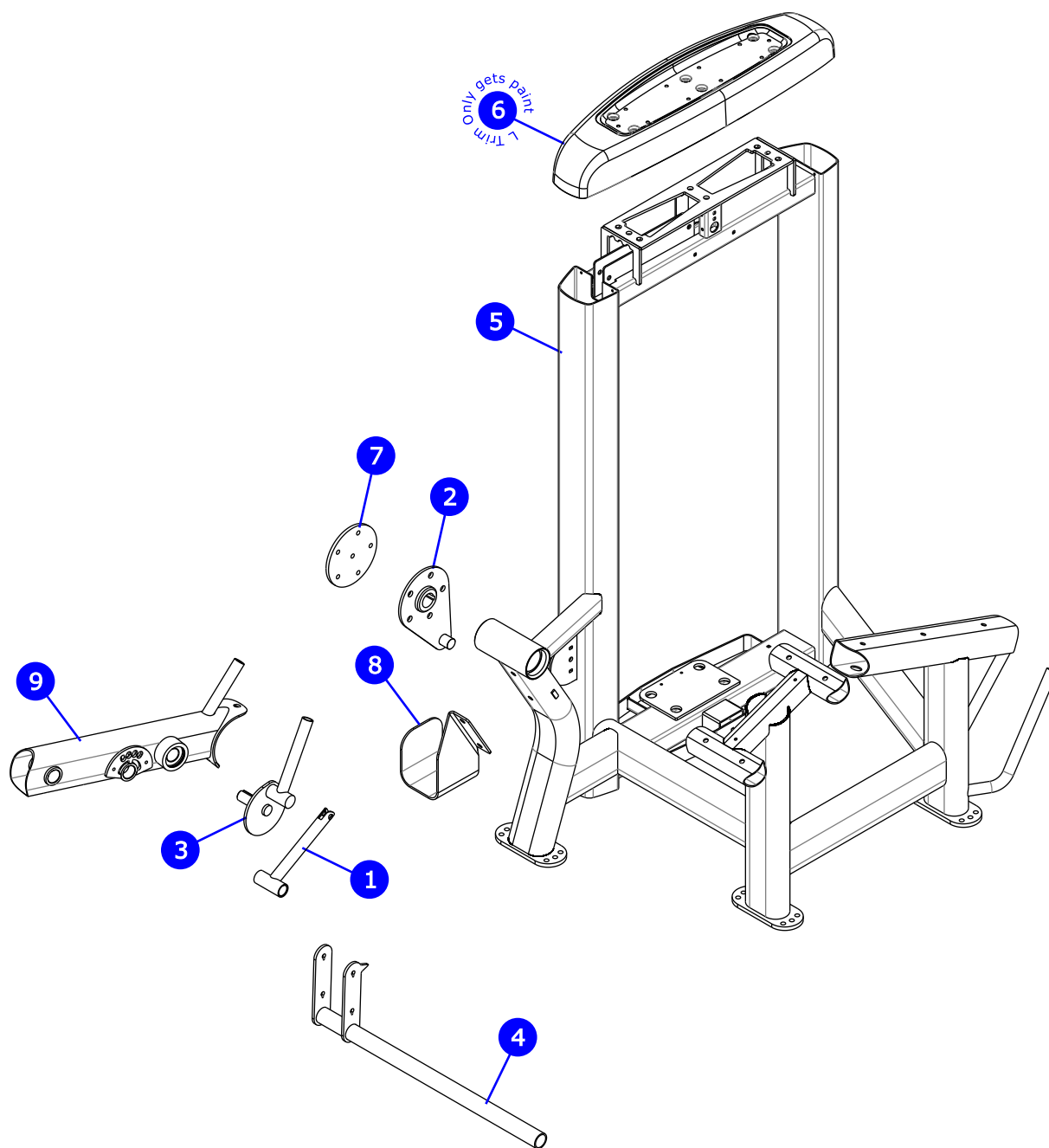
Items with Gray call-outs require the upholstery color within the order notes. IE: Putty.

FRAME COLOR 1 2 3

Items with Blue call-outs require the powder coat frame color to be within the order notes.

Insignia Series Leg Curl

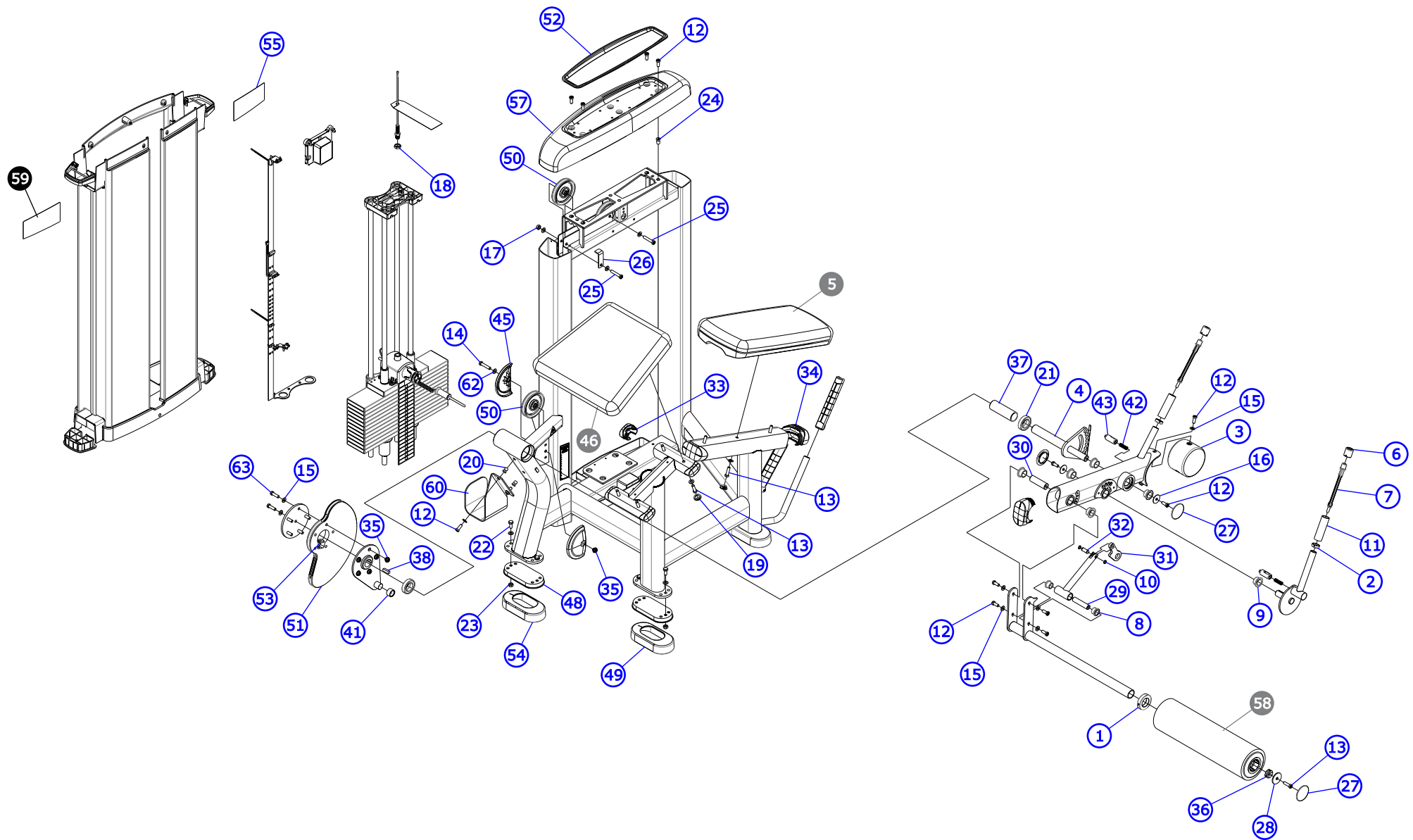
Powder Coat Painted Frame Weldments



ITEM NO.	QTY.	PART NO.	DESCRIPTION	TRIM	
1	1	7324599	WLDMT, FZLE, TIBIA ADJ LINK	S	L
2	1	8899299	WLDMT, FZLC, CAM SPRT	S	L
3	1	8902099	WLDMT, FZLC, TIBIA ADJ HANDLE	S	L
4	1	8902199	WLDMT, FZLC, ROLLER PAD SPRT	S	L
5	1	POSSIBLE RMA	WLDMT, SS-LC, FRAME	S	L
6	1	9412699	CAP, SS, CAST	-	L
7	1	7329199	PLATE, CAM COVER	S	L
8	1	8899199	BRKT, FZLC, CAM GUARD	S	L
9	1	1001844-0099	WLDMT, SS-LE/LC, PIVOT ARM	S	L

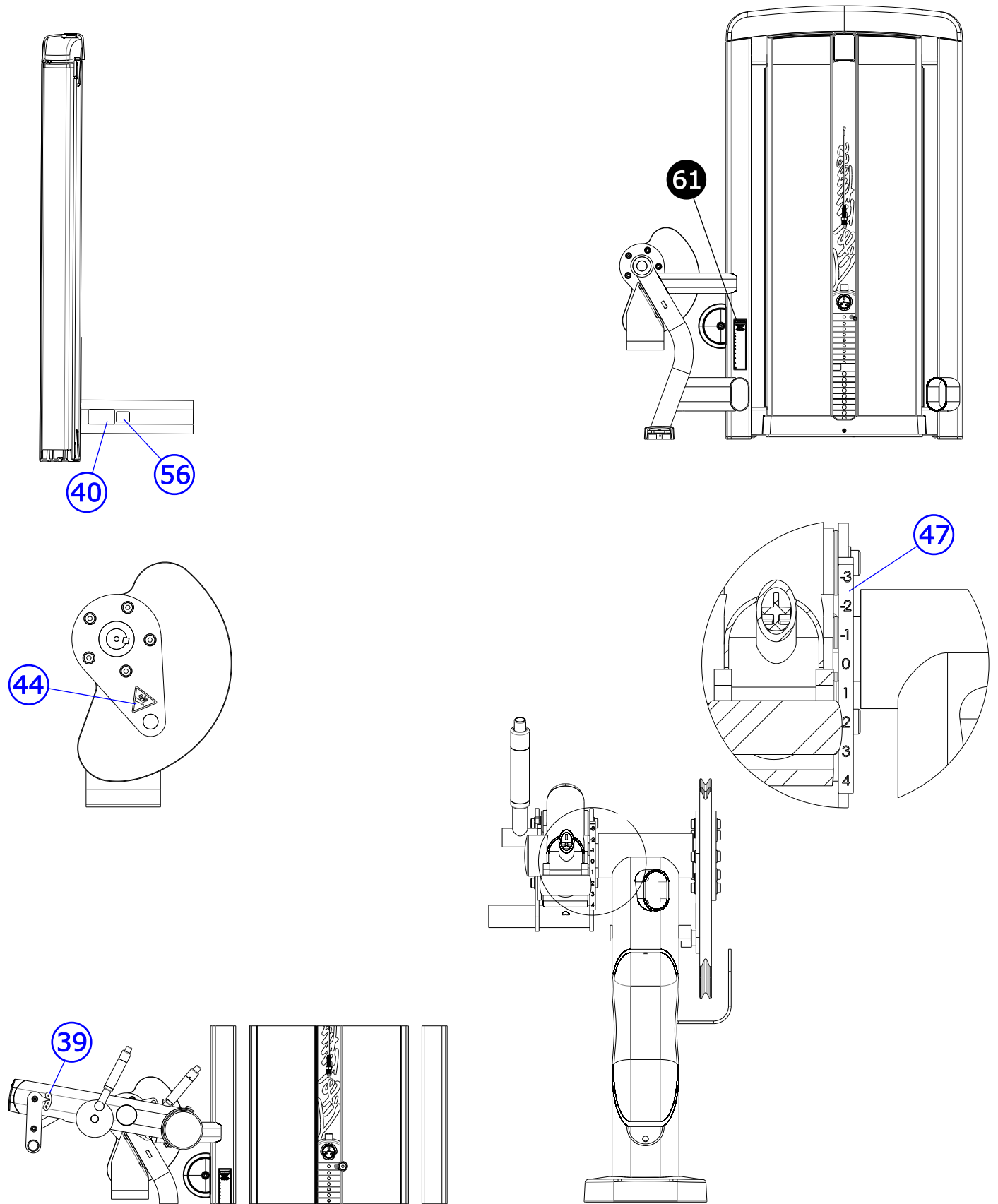
ITEMS ON THIS PAGE ARE POWDER COAT PAINTED. REFER TO PAGE 3 FOR ORDERING INSTRUCTIONS.

Insignia Series Leg Curl Component Assembly



See page 7 for table

Insignia Series Leg Curl Labels

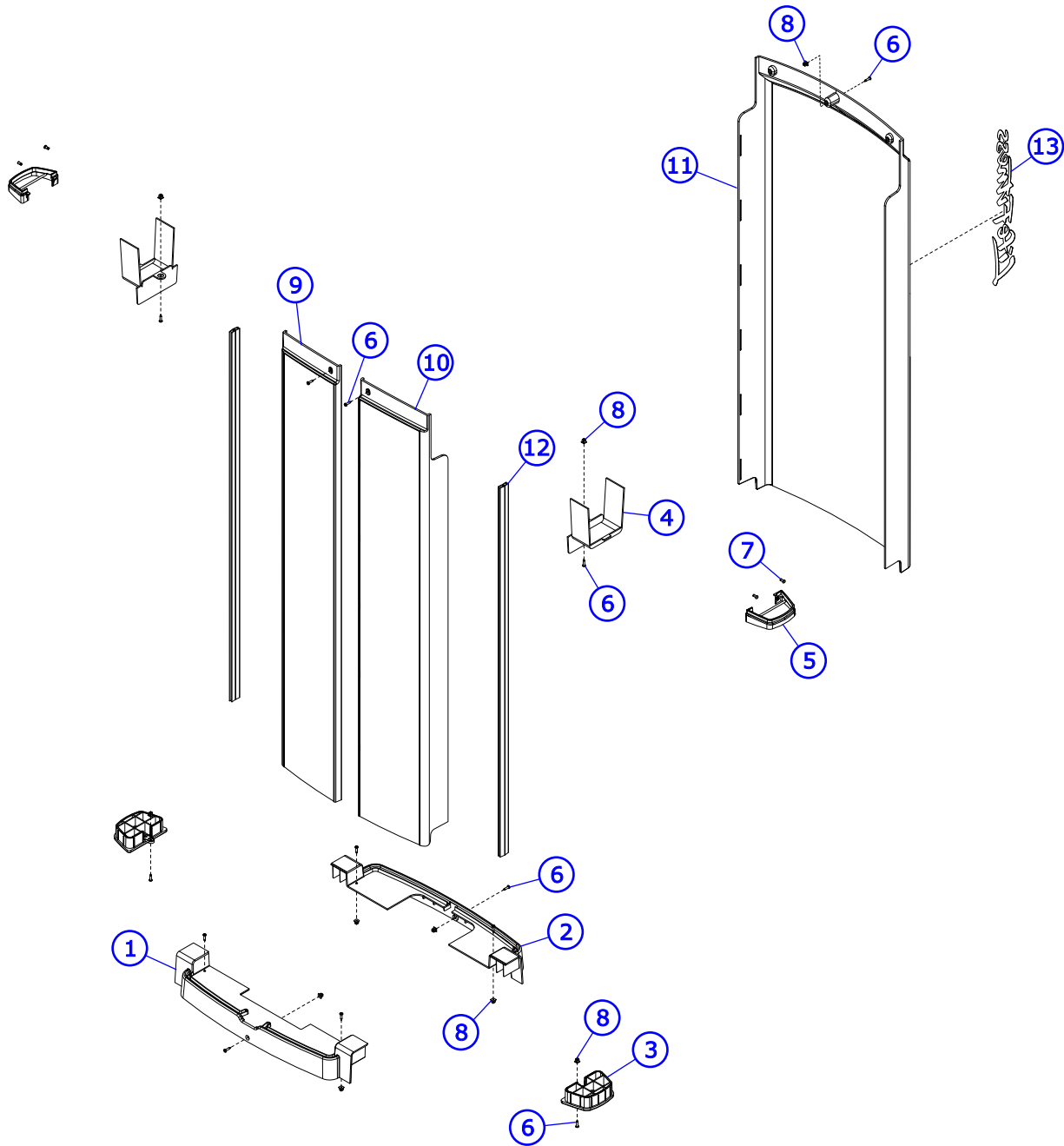


See page 7 for table

Insignia Series Leg Curl Table

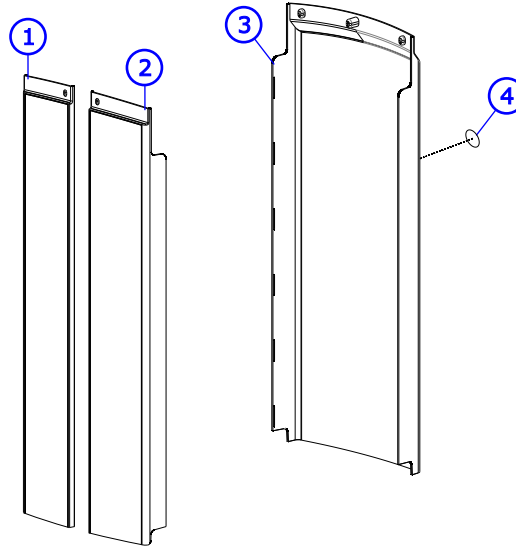
ITEM NO.	QTY.	PART NO.	DESCRIPTION	TRIM	
1	1	7357901	SHAFT COLLAR, 1-1/2" ID ALUM	S	L
2	2	7662801	RING, GRIP 1.25 OD	S	L
3	1	7801902	COUNTER WEIGHT, SMALL - COATED	S	L
4	1	8899001	WLDMT, FZLC ADJ START	S	L
5	1	1000014-0001	PAD, 24 X 11 FLAT BLK, SNGL STITCH	S	L
		1000014-0099	PAD, 24 X 11 FLAT CUS, SNGL STITCH		
		1000014-0101	PAD, 24 X 11 FLAT BLK, DBL STITCH		
		1000014-0199	PAD, 24 X 11 FLAT CUS, DBL STITCH		
6	2	9452901	ASSY, SELECTOR CAP	S	L
7	2	9455303	ROD, PUSH PIN	S	L
8	2	3104901	.75" ID 1.00" OD BRONZE BUSHING	S	L
9	6	3104903	1.00" ID 1.25" OD BRONZ BUSHING	S	L
10	2	3232409	RING, RETAINING, EXTERNAL	S	L
11	2	3235801	GRIP, 1.25" OD X 4" FZLE, FZSLC, FZCE	S	L
12	14	3236202	SCREW, M10 X1.5 25MM	S	L
13	8	3236204	SCREW, M10 X1.5 35MM	S	L
14	1	3236207	SCREW, M10 X1.5 50MM	S	L
15	32	3236601	WASHER, 3/8 SAE SS	S	L
16	2	3236701	WASHER, FENDER 3/8" ID X 1.5" OD SS	S	L
17	2	3236801	NUT, M10 HEX NYLOCK SS	S	L
18	1	3236902	NUT, HEX JAM M16 X 2 SS	S	L
19	7	3237407	PLUG, 1" HOLE	S	L
20	2	3238601	M10X1.5 BLIND THREADED INSERT (HEX)	S	L
21	2	3243201	BEARING, 6007 BALL	S	L
22	6	3251202	SCREW, M10 X1.5 X 25MM UNS HEX CS ST ZN	S	L
23	6	3254703	NUT, M10 X 1.5 HEX ZINC	S	L
24	4	3275401	M10X1.5 BLIND THREADED INSERT (HEX) -HVY	S	L
25	2	3275508	SCREW, M10 X 1.5 X 55 SHCS, LOW HEAD -NO PATCH	S	L
26	1	6757701	CLIP, CABLE 2-7/8 X 1 X 1	S	L
27	3	7308702	CAP, BEARING HOUSING	S	L
28	1	7322301	PLATE, 1.97 OD X .44 ID 10GA	S	L
29	1	7324801	SHAFT, TAPPED 0.75 DIA X 3.330	S	L
30	1	7324901	SHAFT, TAPPED 1 DIA X 3.330	S	L
31	1	7329601	PLATE, TIBIA LINK	S	L
32	1	7331702	SHAFT, PIVOT X 1.040	S	L
33	4	7333802	CAP, SMALL FLOW- END	S	L
34	3	7333902	CAP, LARGE FLOW- END	S	L
35	6	7335401	NUT, M10 X 1.5 SOCKET HEAD	S	L
36	1	7347301	NUT, SPIDER M10 X 1.5	S	L
37	1	7511504	SPACER, FZ/PS INTERNAL 4.845	S	L
38	1	7511601	KEY, .375 SQUARE X 1.25	S	L
39	1	7524202	LABEL, S-XL CURVED-CHR	S	L
40	1	-	LABEL, SERIAL NUMBER, BLANK	S	L
41	1	7690103	BUMPER, SLEEVE - 1 INCH DIA	S	L
42	2	8024501	SPRING, 1/2 OD X 1-1/2	S	L
43	2	8032401	PIN, PUSH	S	L
44	1	8039501	LABEL, WARNING, TRIANGLE	S	L
45	2	8094102	COVER, PULLEY-BOLTED PARTIAL -CHGR	S	L
46	1	7399101	PAD, SEAT 17 X 18-5/8 BLK, SNGL STITCH	S	L
		1000003-0099	PAD, SEAT 17 X 18-5/8 CUS, SNGL STITCH		
		1000003-0101	PAD, SEAT 17 X 18-5/8 BLK, DBL STITCH		
		1000003-0199	PAD, SEAT 17 X 18-5/8 CUS, DBL STITCH		
47	1	8944702	LABEL, -3-4 STRAIGHT -CHR	S	L
48	3	9319301	FOOT, 2.50 X 4.49 FLOW	S	L
49	2	9319401	COVER, FOOT - STRAIGHT	S	L
50	3	9319901	PULLEY, 3/16 IN CABLE (T2), 4.5 IN OD	S	L
51	1	9352201	CAM, SS-LC	S	L
52	1	9411201	TRAY, TOWER TOP CAP	S	L
53	1	9454901	PLATE, CABLE END, T2	S	L
54	1	9461401	COVER, FOOT - 20 deg	S	L
55	1	9477001	LABEL, SS-LC PLACARD RH	S	L
56	1	9488901	LABEL, INSIGNIA, FCC	S	L
57	1	9436701	CAP, TOWER, TOP, PLASTIC	S	-
58	1	1000001-0001	ASSY, ROLLER PAD LONG BLK, SNGL STITCH	S	L
		1000001-0001	ASSY, ROLLER PAD LONG BLK, SNGL STITCH		
		1000001-0099	ASSY, ROLLER PAD LONG CUS, SNGL STITCH		
		1000001-0099	ASSY, ROLLER PAD LONG CUS, SNGL STITCH		
59	1	9465401	LABEL, SS-LC PLACARD, LH	S	L
60	1	8899101	BRKT, FZLC, CAM GUARD	S	L
61	1	8220099	LABEL, ASTM, SELECT VERT-ENG	S	L
62	1	7630101	RETAINER, CM/MJ, PULLEY	S	L
63	6	3236205	M10 X 1.5 X 40 SHCS, LOW HEAD	S	L

Insignia Series Leg Curl Tower Plastics



ITEM NO.	QTY.	PART NO.	DESCRIPTION
1	1	9410801	COVER, TOWER BOTTOM -FRONT
2	1	9411001	COVER, TOWER BOTTOM -REAR
3	2	9412701	ASSY, TRAP TUBE, CAP, BOTTOM
4	2	9415701	COVER, UPPER CROSS MEMBER
5	2	9415801	GASKET, TRAP TUBE
6	13	3275801	SCREW, 8 X 3/4 DIN PHL PAN AB ST ZB
7	4	0017-00101-1587	RVT 201X0413X.354 T NY NO
8	11	0017-00042-1147	GROMMET: SCREW; 8 OR 10
9	1	9410601	SHROUD, TOWER FRONT, LT - SHORT
10	1	9410701	SHROUD, TOWER FRONT, RT - SHORT
11	1	9411101	SHROUD, TOWER REAR - SHORT
12	2	9414601	SHROUD EXTRUSION - SHORT
13	1	9489101	LABEL, LIFE FITNESS

Insignia Series Leg Curl Shroud Wraps



BAMBOO	DATE MADE	SERIAL #	ITEM	QTY.	PART NO.	DESCRIPTION
	1/1/2015 - 3/31/2016	PRIOR TO SS-XX0416001	1	1	9511802	SHROUD, SS, FNT, LT, SRT-BAM
			2	1	9511702	SHROUD, SS, FNT, RT, SRT-BAM
			3	1	9511902	SHROUD, SS, REAR, SRT-BAM
	4/01/2016 - PRESENT	ON OR AFTER SS-XX0416001	1	1	1003204-0002	SHROUD, SS, FNT, LT, SRT, ABS-BAM
			2	1	1003203-0002	SHROUD, SS, FNT, RT, SRT, ABS-BAM
			3	1	1003205-0002	SHROUD, SS, REAR, SRT, ABS-BAM

SKY	DATE MADE	SERIAL #	ITEM	QTY.	PART NO.	DESCRIPTION
	1/1/2015 - 3/31/2016	PRIOR TO SS-XX0416001	1	1	9511803	SHROUD, SS, FNT, LT, SRT-SKY
			2	1	9511703	SHROUD, SS, FNT, RT, SRT-SKY
			3	1	9511903	SHROUD, SS, REAR, SRT-SKY
	4/01/2016 - PRESENT	ON OR AFTER SS-XX0416001	1	1	1003204-0003	SHROUD, SS, FNT, LT, SRT, ABS-SKY
			2	1	1003203-0003	SHROUD, SS, FNT, RT, SRT, ABS-SKY
			3	1	1003205-0003	SHROUD, SS, REAR, SRT, ABS-SKY

BRONZE	DATE MADE	SERIAL #	ITEM	QTY.	PART NO.	DESCRIPTION
	1/1/2015 - 3/31/2016	PRIOR TO SS-XX0416001	1	1	9511804	SHROUD, SS, FNT, LT, SRT-BRZ
			2	1	9511704	SHROUD, SS, FNT, RT, SRT-BRZ
			3	1	9511904	SHROUD, SS, REAR, SRT-BRZ
	4/01/2016 - PRESENT	ON OR AFTER SS-XX0416001	1	1	1003204-0004	SHROUD, SS, FNT, LT, SRT, ABS-BRZ
			2	1	1003203-0004	SHROUD, SS, FNT, RT, SRT, ABS-BRZ
			3	1	1003205-0004	SHROUD, SS, REAR, SRT, ABS-BRZ

STEM	DATE MADE	SERIAL #	ITEM	QTY.	PART NO.	DESCRIPTION
	1/1/2015 - 3/31/2016	PRIOR TO SS-XX0416001	1	1	9511805	SHROUD, SS, FNT, LT, SRT-STM
			2	1	9511705	SHROUD, SS, FNT, RT, SRT-STM
			3	1	9511905	SHROUD, SS, REAR, SRT-STM
	4/01/2016 - PRESENT	ON OR AFTER SS-XX0416001	1	1	1003204-0005	SHROUD, SS, FNT, LT, SRT, ABS-STM
			2	1	1003203-0005	SHROUD, SS, FNT, RT, SRT, ABS-STM
			3	1	1003205-0005	SHROUD, SS, REAR, SRT, ABS-STM

ROSEWOOD	DATE MADE	SERIAL #	ITEM	QTY.	PART NO.	DESCRIPTION
	1/1/2015 - 3/31/2016	PRIOR TO SS-XX0416001	1	1	9511806	SHROUD, SS, FNT, LT, SRT-RSW
			2	1	9511706	SHROUD, SS, FNT, RT, SRT-RSW
			3	1	9511906	SHROUD, SS, REAR, SRT-RSW
	4/01/2016 - PRESENT	ON OR AFTER SS-XX0416001	1	1	1003204-0006	SHROUD, SS, FNT, LT, SRT, ABS-RSW
			2	1	1003203-0006	SHROUD, SS, FNT, RT, SRT, ABS-RSW
			3	1	1003205-0006	SHROUD, SS, REAR, SRT, ABS-RSW

STAINLESS STEEL	DATE MADE	SERIAL #	ITEM	QTY.	PART NO.	DESCRIPTION
	1/1/2015 - 3/31/2016	PRIOR TO SS-XX0416001	1	1	9511807	SHROUD, SS, FNT, LT, SRT-SS
			2	1	9511707	SHROUD, SS, FNT, RT, SRT-SS
			3	1	9511907	SHROUD, SS, REAR, SRT-SS
	4/01/2016 - PRESENT	ON OR AFTER SS-XX0416001	1	1	1003204-0007	SHROUD, SS, FNT, LT, SRT, ABS-SS
			2	1	1003203-0007	SHROUD, SS, FNT, RT, SRT, ABS-SS
			3	1	1003205-0007	SHROUD, SS, REAR, SRT, ABS-SS

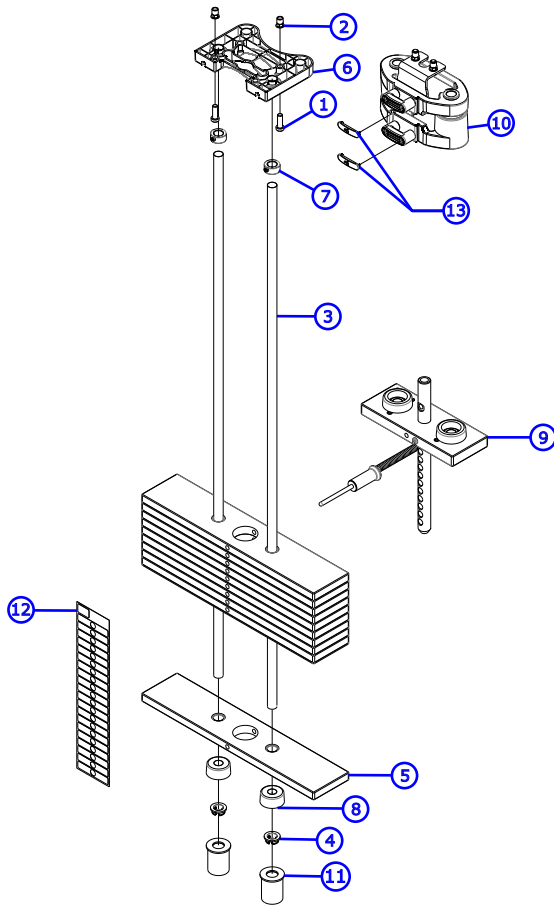
PREMIUM STAINLESS STEEL	DATE MADE	SERIAL #	ITEM	QTY.	PART NO.	DESCRIPTION
	4/01/2016 - PRESENT	ON OR AFTER SS-XX0416001	1	1	1003204-0008	SHROUD, SS, FNT, LT, SRT, ABS-PSS
			2	1	1003203-0008	SHROUD, SS, FNT, RT, SRT, ABS-PSS
			3	1	1003205-0008	SHROUD, SS, REAR, SRT, ABS-PSS

PREMIUM BLACK CARBON FIBER	DATE MADE	SERIAL #	ITEM	QTY.	PART NO.	DESCRIPTION
	4/01/2016 - PRESENT	ON OR AFTER SS-XX0416001	1	1	1003204-0009	SHROUD, SS, FNT, LT, SRT, ABS-PBCF
			2	1	1003203-0009	SHROUD, SS, FNT, RT, SRT, ABS-PBCF
			3	1	1003205-0009	SHROUD, SS, REAR, SRT, ABS-PBCF

4	1	AK58-00245-2401	MEDALLION-ASSY;LF-BUG B
---	---	-----------------	-------------------------

Insignia Series Leg Curl Weight Stack Assemblies

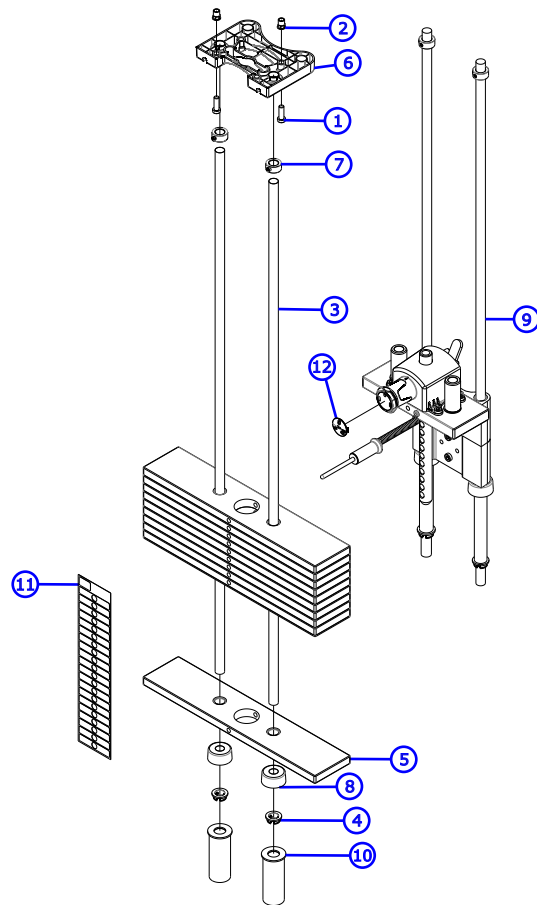
T - Base



Uses 9423917 Cable (114.0")

ITEM NO.	QTY.	PART NO.	DESCRIPTION
1	2	3236203	M10 X 1.5 X 30 SHCS, LOW HEAD
2	2	3238601	M10X1.5 BLIND THRD INSERT(HEX)
3	2	7328612	GUIDE ROD, .75 OD SOLID X 50.36
4	2	7337901	BUSHING, GUIDE ROD
5	10	9407601	WGT PL, 3/4IN X 4IN, 15LB
6	2	9412801	RETAINER, GUIDE ROD -TOP
7	2	3103301	SHAFT COLLAR, 3/4 IN ID
8	2	7352101	CUSHION, WEIGHT STACK
9	1	SEE PAGE 11	ASSY, SS, HEAD PLATE, STD -10
10	1	SEE PAGE 11	ASSY, DD INC WEIGHT W/ STRIKER -YEL
11	2	9495913	WLDMT, WGT STK SPACER X 3.00 -CHR
12	1	9475301	LABEL, 3/4 IN WGT STACK, 295 LB
		9475201	LABEL, 3/4 IN WGT STACK, 147.5 KG
		9462303	CAP, DD INC WGT, YEL -LBS
13	1	9462403	CAP, DD INC WGT, YEL -KG

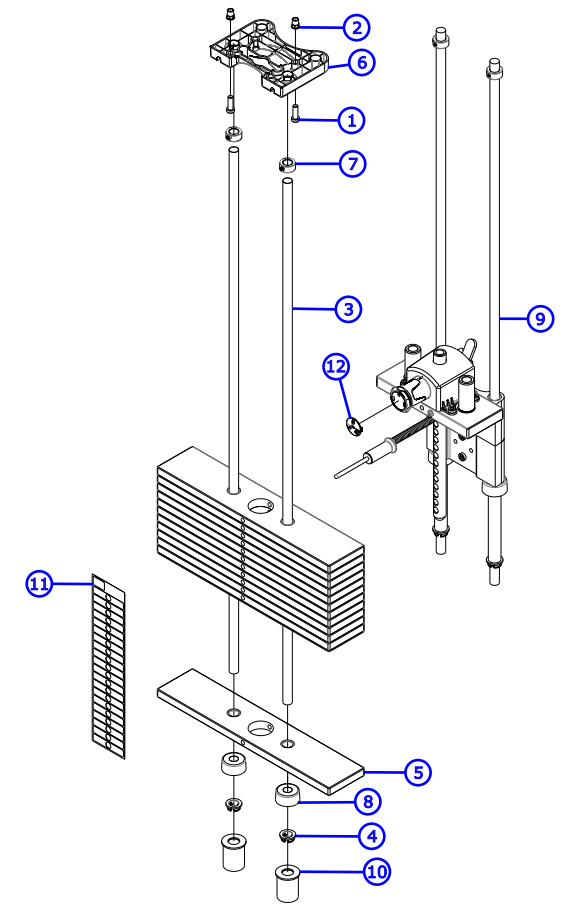
C - Light



Uses 9423918 Cable (112.5")

ITEM NO.	QTY.	PART NO.	DESCRIPTION
1	2	3236203	M10 X 1.5 X 30 SHCS, LOW HEAD
2	2	3238601	M10X1.5 BLIND THRD INSERT(HEX)
3	2	7328612	GUIDE ROD, .75 OD SOLID X 50.36
4	2	7337901	BUSHING, GUIDE ROD
5	10	9407601	WGT PL, 3/4IN X 4IN, 15LB
6	2	9412801	RETAINER, GUIDE ROD -TOP
7	2	3103301	SHAFT COLLAR, 3/4 IN ID
8	2	7352101	CUSHION, WEIGHT STACK
9	1	SEE PAGE 12	ASSY, SS, INC WGT, DIAL, STD -10 ELV
10	2	9495914	WLDMT, WGT STK SPACER X 4.50 -CHR
11	1	9475301	LABEL, 3/4 IN WGT STACK, 295 LB
		9475201	LABEL, 3/4 IN WGT STACK, 147.5 KG
		9431403	CAP, SELECTOR KNOB -LBS
12	1	9450103	CAP, SELECTOR KNOB -KGS

X - Heavy



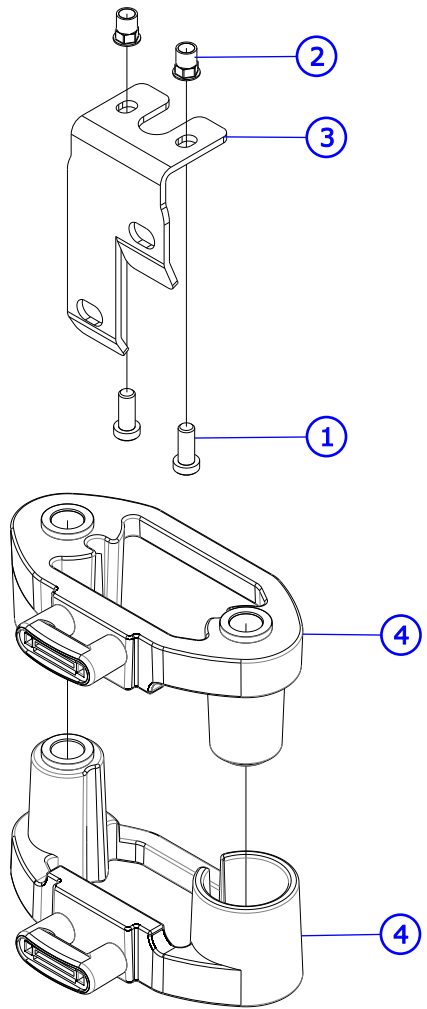
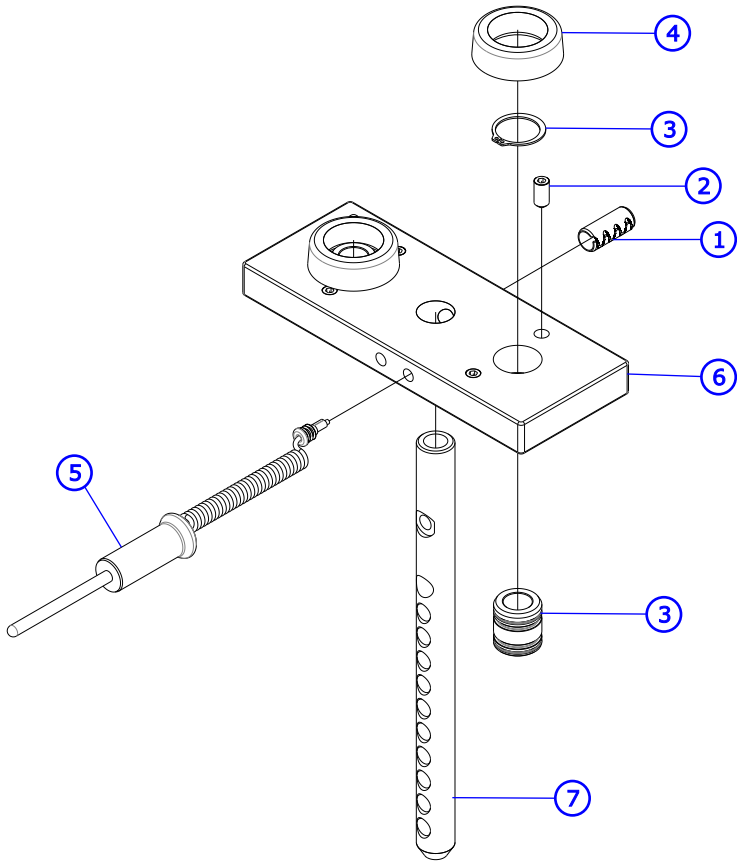
Uses 9423920 Cable (112.5")

ITEM NO.	QTY.	PART NO.	DESCRIPTION
1	2	3236203	M10 X 1.5 X 30 SHCS, LOW HEAD
2	2	3238601	M10X1.5 BLIND THRD INSERT(HEX)
3	2	7328612	GUIDE ROD, .75 OD SOLID X 50.36
4	2	7337901	BUSHING, GUIDE ROD
5	12	9407601	WGT PL, 3/4IN X 4IN, 15LB
6	2	9412801	RETAINER, GUIDE ROD -TOP
7	2	3103301	SHAFT COLLAR, 3/4 IN ID
8	2	7352101	CUSHION, WEIGHT STACK
9	1	SEE PAGE 12	ASSY, SS, INC WGT, DIAL, HVY -12 ELV
10	2	9495913	WLDMT, WGT STK SPACER X 3.00 -CHR
11	1	9475301	LABEL, 3/4 IN WGT STACK, 295 LB
		9475201	LABEL, 3/4 IN WGT STACK, 147.5 KG
		9431403	CAP, SELECTOR KNOB -LBS
12	1	9450103	CAP, SELECTOR KNOB -KGS

Insignia Series Leg Curl

T Trim Head Plate and Drop Down Increment Weights

T Trim



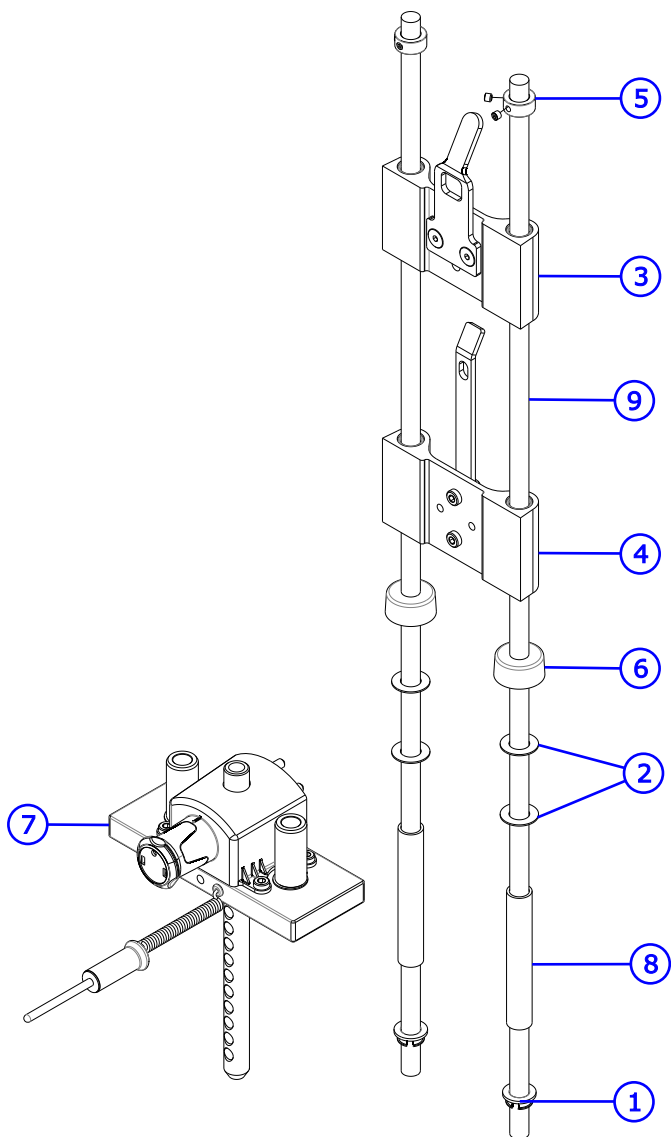
ITEM NO.	QTY.	PART NO.	DESCRIPTION
1	1	3236001	BUSHING, SPRING PIN
2	4	3240501	M10 X 1.5 X 20 HXS NO CUP ST BO
3	2	7338001	BUSHING, HEADPLATE
4	2	7767602	BUMPER, INCREMENT WT -BLK
5	1	1003679-0003	ASSY, WGT STK SELECT PIN -YELLOW
6	1	9427401	HEADPLATE, WT. STACK, 10LB
7	1	9434201	BAYONET, 10 PLATE

ITEM NO.	QTY.	PART NO.	DESCRIPTION
1	2	3236202	SCREW, M10 X1.5 25MM
2	2	3238601	M10X1.5 BLIND THREADED INSERT (HEX)
3	1	9430801	BRKT, INC WGT STRIKER
4	2	9455403	ASSY, DD INC WGT -YEL

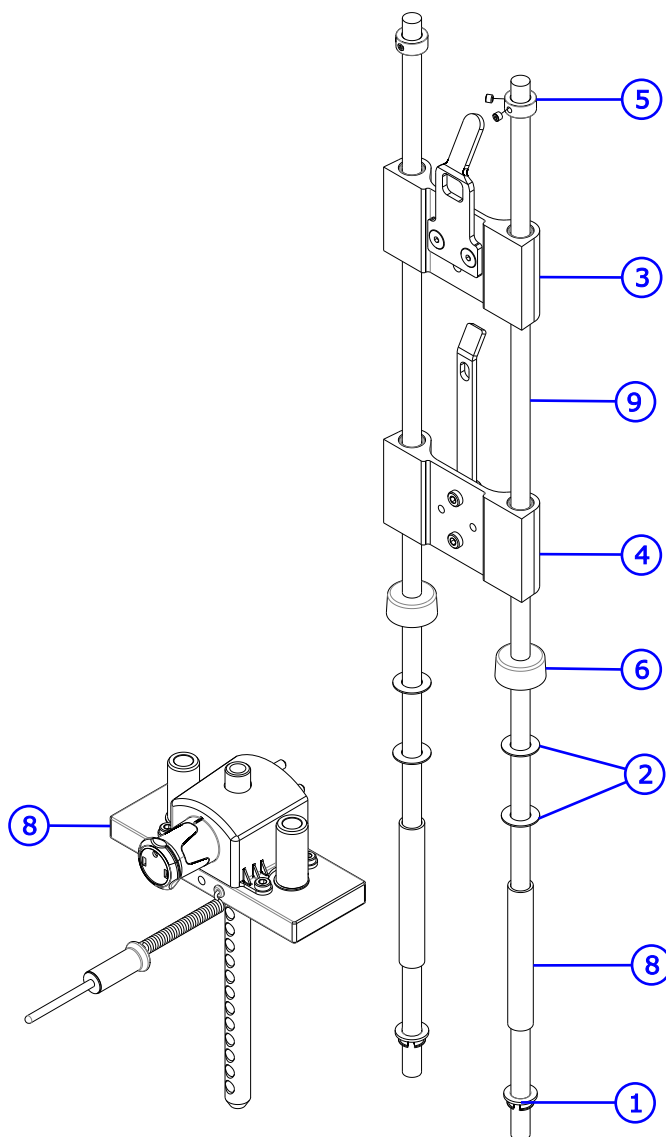
Insignia Series Leg Curl

C and X Trim Stack Components

C Trim



X Trim



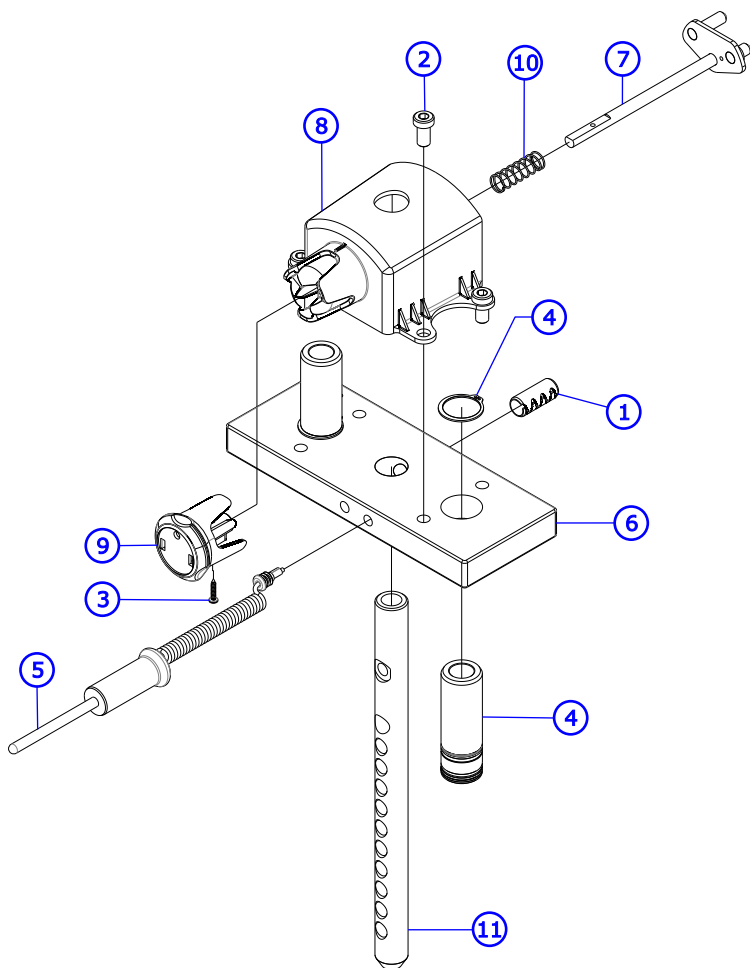
ITEM NO.	QTY.	PART NO.	DESCRIPTION
1	2	7337901	BUSHING, GUIDE ROD
2	4	7351001	SPACER, INC WT STACK
3	1	SEE PAGE 14	ASSY, INC WGT -5LB
4	1	SEE PAGE 14	ASSY, INC WGT -10LB
5	2	3103301	SHAFT COLLAR, 3/4 IN ID
6	2	7352101	CUSHION, WEIGHT STACK
7	1	SEE PAGE 13	ASSY, SS, HEAD PLATE, DIAL, STD -10
8	2	7328706	SPACER, INC WT STACK -4.38
9	2	7328612	GUIDE ROD, .75 OD SOLID X 50.36

ITEM NO.	QTY.	PART NO.	DESCRIPTION
1	2	7337901	BUSHING, GUIDE ROD
2	4	7351001	SPACER, INC WT STACK
3	1	SEE PAGE 14	ASSY, INC WGT -5LB
4	1	SEE PAGE 14	ASSY, INC WGT -10LB
5	2	3103301	SHAFT COLLAR, 3/4 IN ID
6	2	7352101	CUSHION, WEIGHT STACK
7	1	SEE PAGE 13	ASSY, SS, HEAD PLATE, DIAL, HVY -12
8	2	7328706	SPACER, INC WT STACK -4.38
9	2	7328612	GUIDE ROD, .75 OD SOLID X 50.36

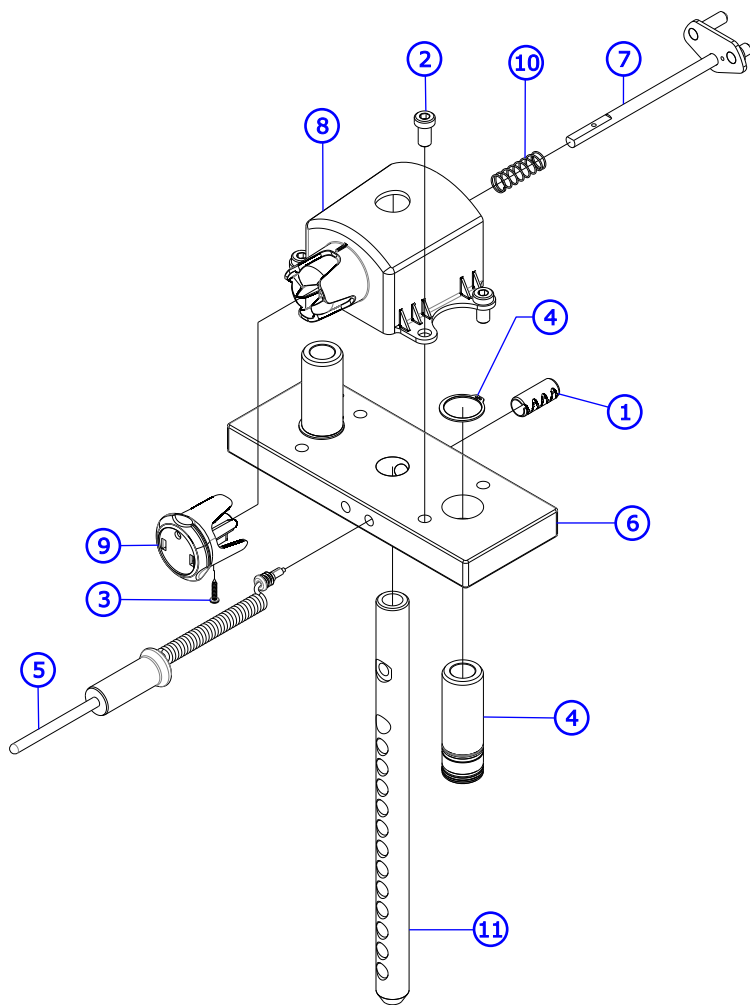
Insignia Series Leg Curl

C and X Trim Head Plate Assemblies

C Trim



X Trim



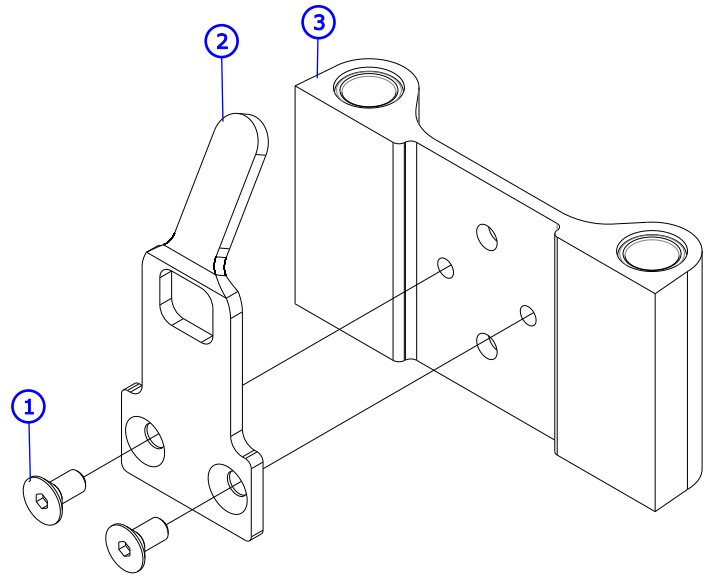
ITEM NO.	QTY.	PART NO.	DESCRIPTION
1	1	3236001	BUSHING, SPRING PIN
2	4	3236201	SCREW, M10 X1.5 20MM
3	1	3275601	SCREW, 6 X 3/4 DIN PHL PAN AB ST ZB
4	2	9296001	BUSHING, HEADPLATE, LONG
5	1	1003679-0003	ASSY, WGT STK SELECTOR PIN -YELLOW
6	1	9427401	HEADPLATE, WT. STACK, 10LB
7	1	9427501	WLDMT, INC WGT PIN
8	1	9430501	HSNG, INC WEIGHT
9	1	9443201	KNOB, INC WEIGHT
10	1	9443301	SPRING, INC WGT PIN
11	1	9434201	BAYONET, 10 PLATE

ITEM NO.	QTY.	PART NO.	DESCRIPTION
1	1	3236001	BUSHING, SPRING PIN
2	4	3236201	SCREW, M10 X1.5 20MM
3	1	3275601	SCREW, 6 X 3/4 DIN PHL PAN AB ST ZB
4	2	9296001	BUSHING, HEADPLATE, LONG
5	1	1003679-0003	ASSY, WGT STK SELECTOR PIN -YELLOW
6	1	9427401	HEADPLATE, WT. STACK, 10LB
7	1	9427501	WLDMT, INC WGT PIN
8	1	9430501	HSNG, INC WEIGHT
9	1	9443201	KNOB, INC WEIGHT
10	1	9443301	SPRING, INC WGT PIN
11	1	9426001	BAYONET, 12 PLATE

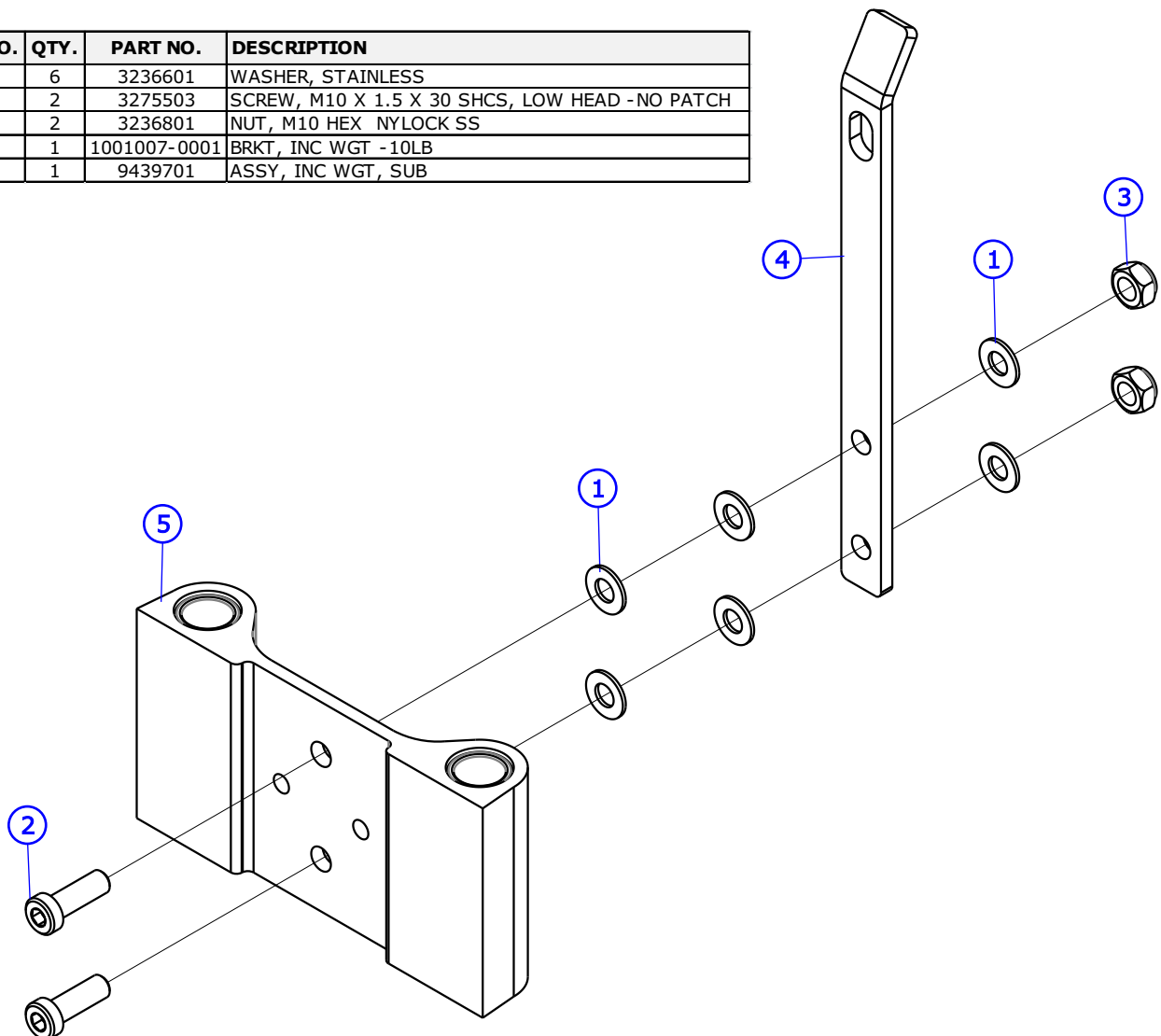
Insignia Series Leg Curl

C and X Trim Incremental Weights

ITEM NO.	QTY.	PART NO.	DESCRIPTION
1	2	3238301	M10x1.5x20mm
2	1	9428201	BRKT, INC WGT -5 LB
3	1	9439701	ASSY, INC WGT, SUB

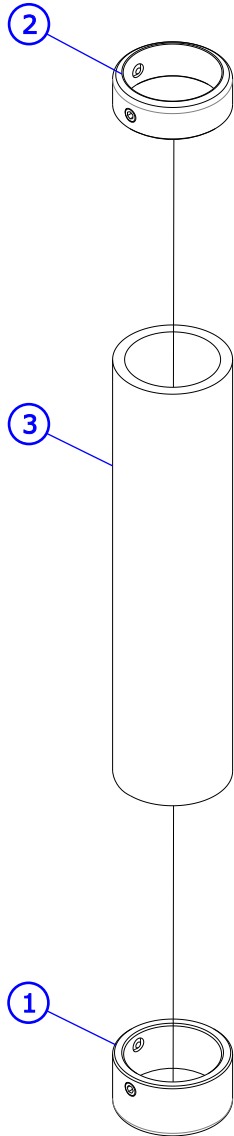


ITEM NO.	QTY.	PART NO.	DESCRIPTION
1	6	3236601	WASHER, STAINLESS
2	2	3275503	SCREW, M10 X 1.5 X 30 SHCS, LOW HEAD -NO PATCH
3	2	3236801	NUT, M10 HEX NYLOCK SS
4	1	1001007-0001	BRKT, INC WGT -10LB
5	1	9439701	ASSY, INC WGT, SUB



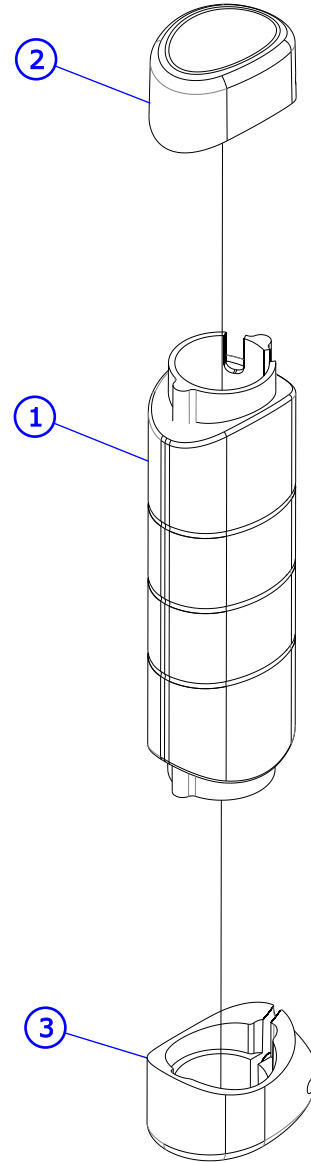
Insignia Series Leg Curl Grip Assemblies

S Trim



ITEM NO.	QTY.	PART NO.	DESCRIPTION
1	1	7662901	CAP, GRIP 1.25 OD
2	1	7662801	RING, GRIP
3	1	3235806	GRIP, 1.25 OD X .125 WALL, OPEN END

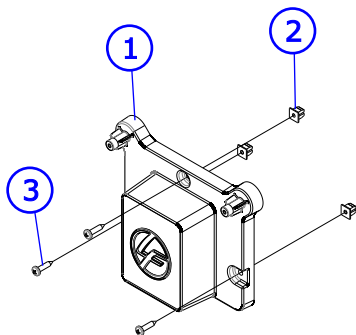
L Trim



ITEM NO.	QTY.	PART NO.	DESCRIPTION
1	1	9453001	GRIP, ERGO, OVERMOLD
2	1	1001761-0001	ASSY, CAP, GRIP
3	1	1001760-0001	ASSY, COLLAR, ERGO GRIP

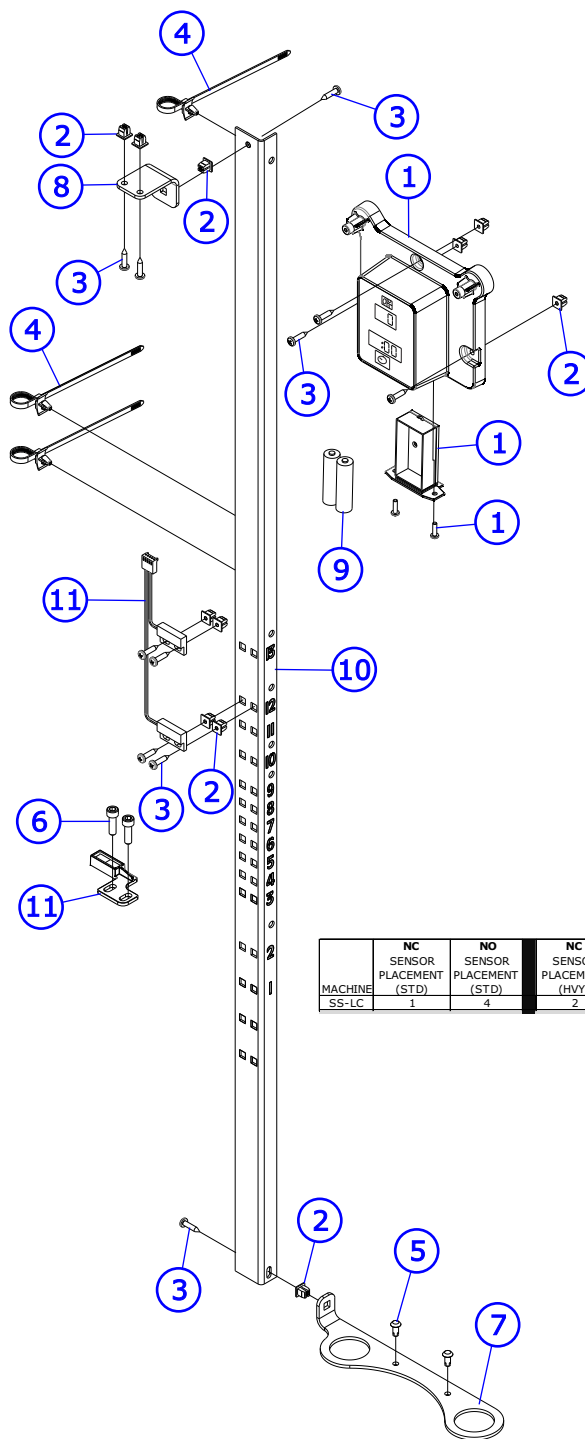
Insignia Series Leg Curl Sensor Assemblies

S Trim



ITEM NO.	QTY.	PART NO.	DESCRIPTION
1	1	9437401	SS - ASSY, DISPLAY, BASE
2	3	0017-00042-1147	GROMMET: SCREW; 8 OR 10
3	3	3275801	SCREW, 8 X 3/4 DIN PHL PAN AB ST ZB

L Trim



	NC SENSOR PLACEMENT (STD)	NO SENSOR PLACEMENT (STD)	NC SENSOR PLACEMENT (HVY)	NO SENSOR PLACEMENT (HVY)
MACHINE SS-LC	1	4	2	6

ITEM NO.	QTY.	PART NO.	DESCRIPTION
1	1	9417701	ASSY, DISPLAY, COUNTER
2	11	0017-00042-1147	GROMMET: SCREW; 8 OR 10
3	11	3275801	SCREW, 8 X 3/4 DIN PHL PAN AB ST ZB
4	3	3276101	GROMMET, CABLE TIE
5	2	0017-00101-1587	RVT 201X0413X.354 T NY NO
6	2	3241701	SCREW, M6 X1 20MM
7	1	9432728	BRKT, SS, SWITCH MNT -CHGR
8	1	9434828	BRKT, SS, SWITCH MNT
9	2	-	BATTERY, AA
10	1	9434628	BRKT, SS, SWITCH MNT, STD -CHR
11	1	1000585-0001	ASSY, SS, PROX SWITCH/MAGNET