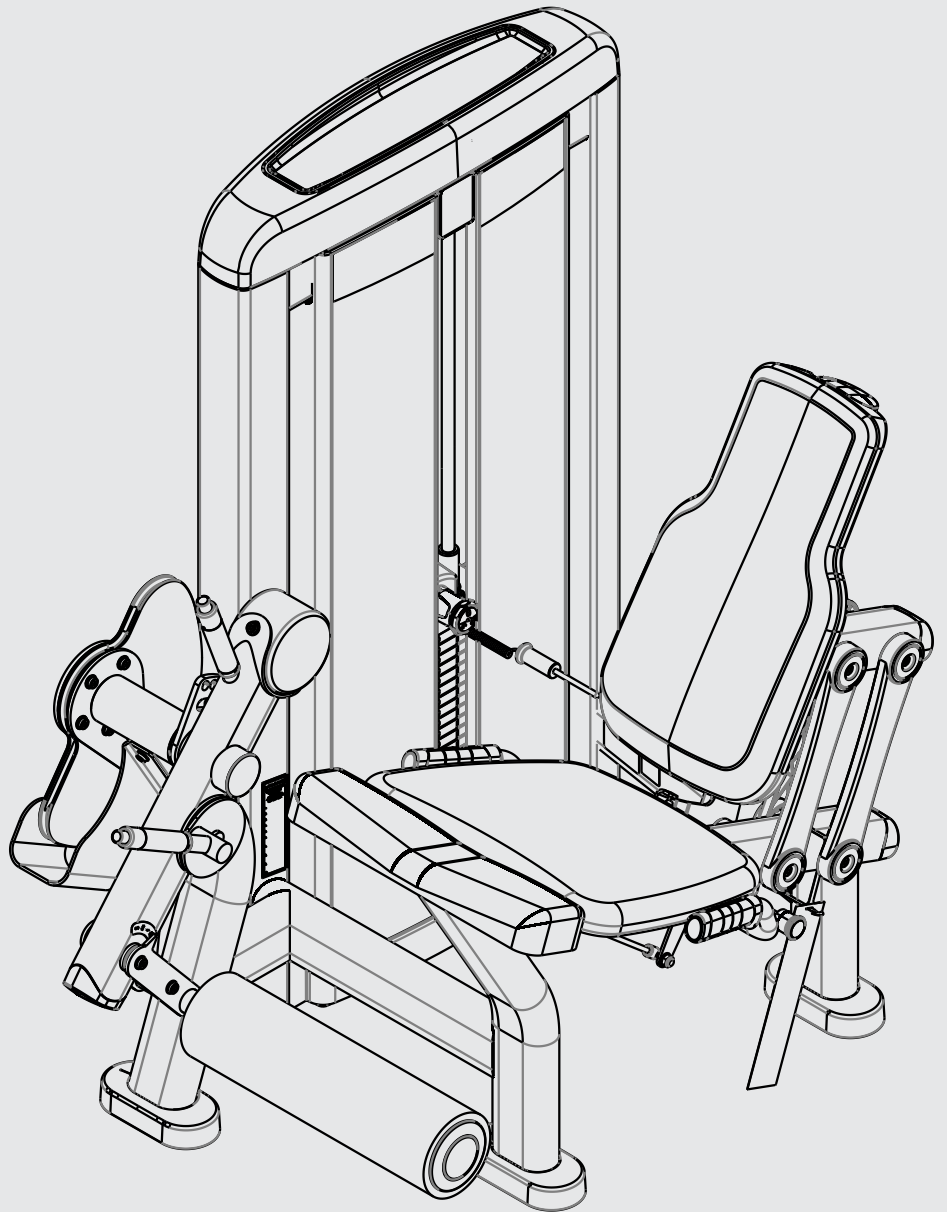


INSIGNIA SERIES  
LEG EXTENSION  
SS-LE  
PARTS MANUAL



# Insignia Series Leg Extension

## Contents

---

Options and Key .....	3
Powder Coat Painted Frame Weldments .....	4
Component Assembly .....	5
Work Arm Components .....	6
Seat Assembly .....	7
Labels .....	8
Table .....	9
Tower Plastics .....	10
Shroud Wraps .....	11
Weight Stack Assemblies .....	12
T Trim Head Plate and Drop Down Increment Weights .....	13
C and X Trim Stack Components .....	14
C and X Trim Head Plate Assemblies .....	15
C and X Trim Incremental Weights .....	16
Grip Assemblies .....	17
Sensor Assemblies .....	18

# Insignia Series Leg Extension

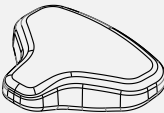
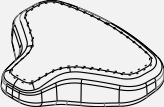
## Options and Key

**FRAME COLOR OPTION**

SELECT POWDERCOAT COLOR

- BLACK
- BLUE
- CANDY APPLE RED
- CHARCOAL
- DIAMOND WHITE
- ELECTRIC BLUE
- ICE BLUE METALLIC
- MIDNIGHT METALLIC
- MOCHA SAND
- NICKEL
- PLATINUM
- RED
- TITANIUM
- WHITE
- YELLOW
- CUSTOM

**UPHOLSTERY OPTION**

- SINGLE STITCH
- 
- DOUBLE STITCH
- 

**UPHOLSTERY COLOR OPTION**

- AMERICAN BEAUTY RED
- AZURE
- BLACK
- BLACK CARBON FIBER
- BURGUNDY
- CANDLY APPLE RED
- CHESTNUT
- CONCORD
- CRANBERRY
- CROCUS
- DARK WALNUT
- DOVE GRAY
- EMERALD
- GRAPHITE
- GROTTTO
- GUN METAL
- HUNTER GREEN
- IMPERIAL BLUE
- JADE
- NAVY
- NORTHWOODS GREEN
- PAPRIKA
- PLUM
- PUTTY
- REGIMENTAL BLUE
- ROYAL BLUE
- SLATE
- SPACE BLUE
- SUEDE
- TERRA COTTA
- TURQUOISE
- WHEAT
- CUSTOM

**LANGUAGE OPTION**

SELECT LANGUAGE

- 01 ENGLISH
- 02 GERMAN
- 03 FRENCH
- 04 SPANISH
- 05 ITALIAN
- 06 DUTCH
- 07 JAPANESE
- 08 PORTUGUESE
- 10 RUSSIAN
- 11 TURKISH
- 12 CHINESE
- 13 ARABIC

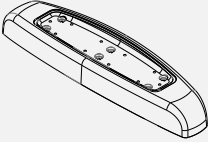

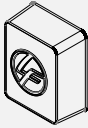
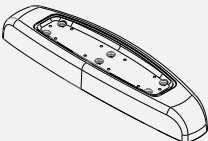

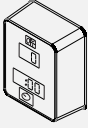
**WEIGHT STACK OPTION**

- T - BASE STACK
- C - LIGHT STACK
- X - HEAVY STACK
- POUNDS
- KILOGRAMS

**SHROUD WRAP OPTION**

- BAMBOO
- BLACK CARBON FIBER
- BRONZE
- FULL SHROUD
- PREMIUM STAINLESS STEEL
- ROSEWOOD
- SKY
- STAINLESS STEEL
- STEM
- CUSTOM

**TRIM OPTION**

- S
  - PLASTIC TOWER CAP
  - STANDARD GRIP
  - NO REP COUNTER
- 
- 
- 
- L
  - PAINTED CAST TOWER CAP
  - ERGO GRIP
  - REP COUNTER
- 
- 
- 

### KEY

#### LANGUAGE 1 2 3

Items with Black call-outs require the last two digits (XX) to be replaced with language codes listed above. IE: 12345XX should be 1234501 for English.

#### UPHOLSTERY 1 2 3

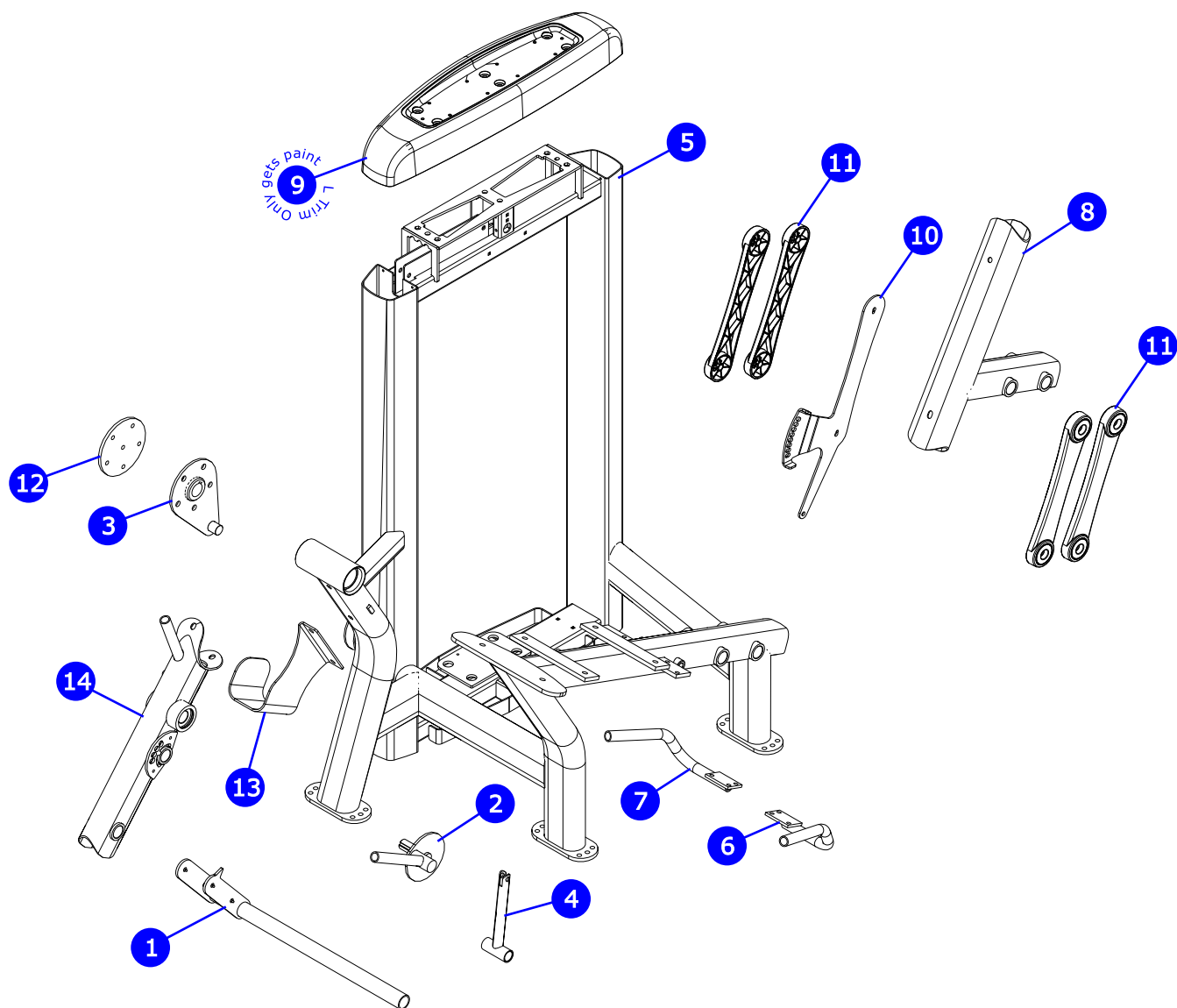
Items with Gray call-outs require the upholstery color within the order notes. IE: Putty.

#### FRAME COLOR 1 2 3

Items with Blue call-outs require the powder coat frame color to be within the order notes.

# Insignia Series Leg Extension

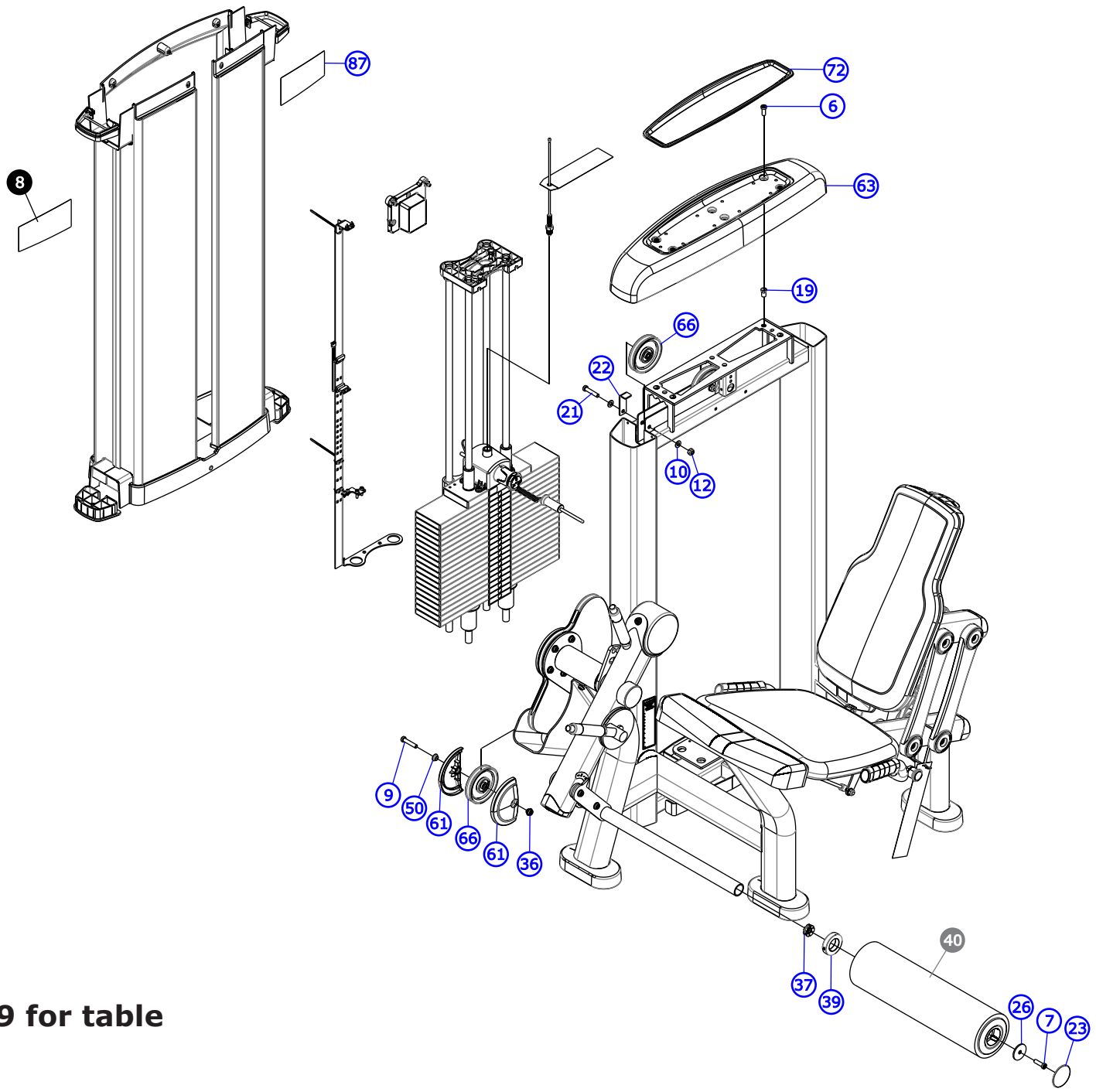
## Powder Coat Painted Frame Weldments



ITEM NO.	QTY.	PART NO.	DESCRIPTION	TRIM	
1	1	7321999	WLDMT, FZLE/SLC, ROLLER PAD SPVRT	S	L
2	1	7322499	WLDMT, FZLE, TIBIA ADJ HANDLE	S	L
3	1	7323199	WLDMT, FZLE, CAM SPVRT	S	L
4	1	7324599	WLDMT, FZLE, TIBIA ADJ LINK	S	L
5	1	POSSIBLE RMA	WLDMT, SS-LE, FRAME	S	L
6	1	9343599	WLDMT, SS-LE, HANDLE LEFT	S	L
7	1	9343699	WLDMT, SS-LE, HANDLE RIGHT	S	L
8	1	9458599	WLDMT, SS, BACK PAD SPVRT	S	L
9	1	9412699	CAP, SS, CAST	-	L
10	1	1001358-0099	PLATE, SS-SLC/LE BACK ADJ	S	L
11	4	9439199	LINK, SS, SEAT BACK	S	L
12	1	7329199	PLATE, CAM COVER	S	L
13	1	7517199	BRKT, FZLE, CAM GUARD	S	L
14	1	1001844-0099	WLDMT, SS-LE/LC, PIVOT ARM	S	L

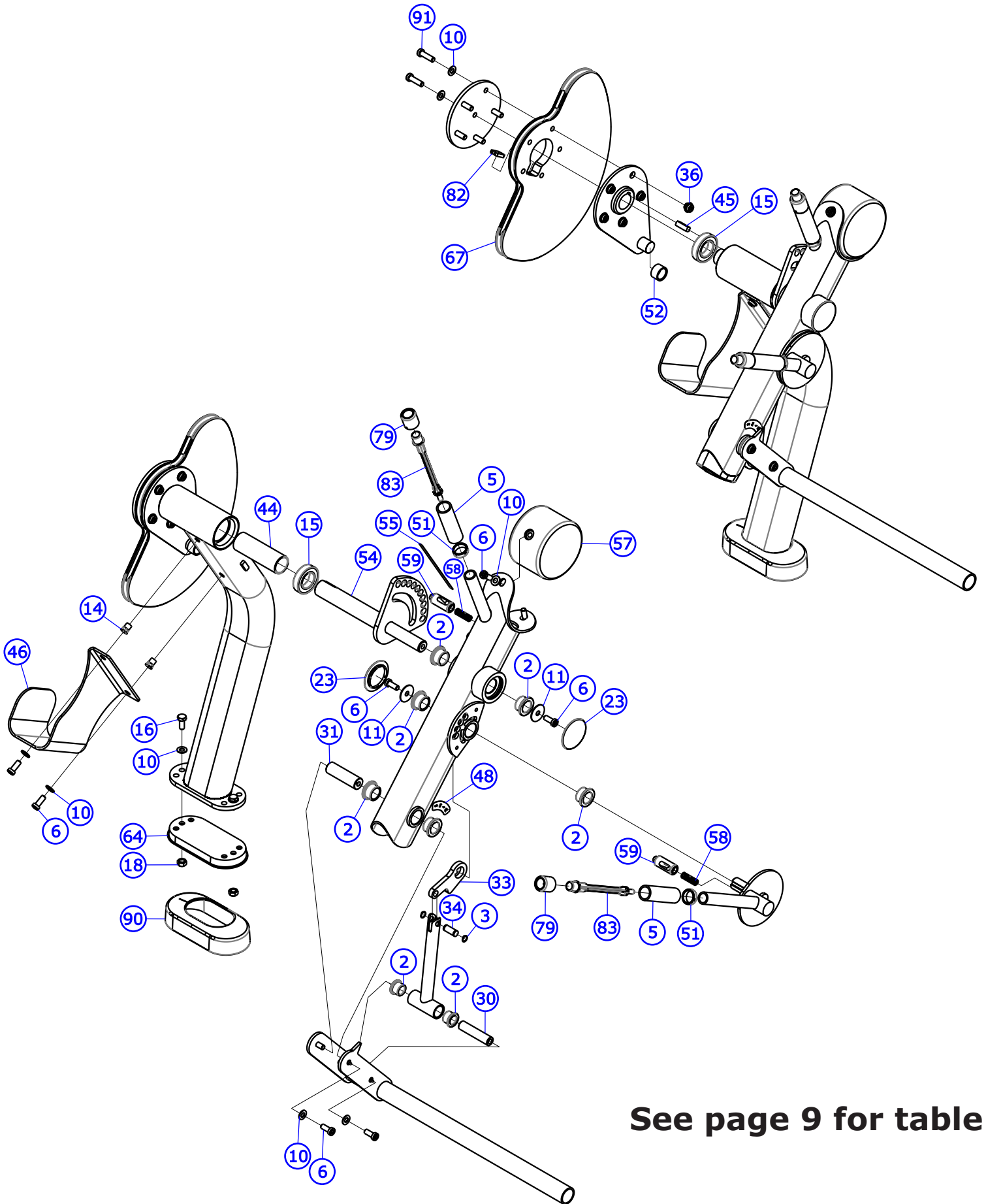
**ITEMS ON THIS PAGE ARE POWDER COAT PAINTED. REFER TO PAGE 3 FOR ORDERING INSTRUCTIONS.**

# Insignia Series Leg Extension Component Assembly



See page 9 for table

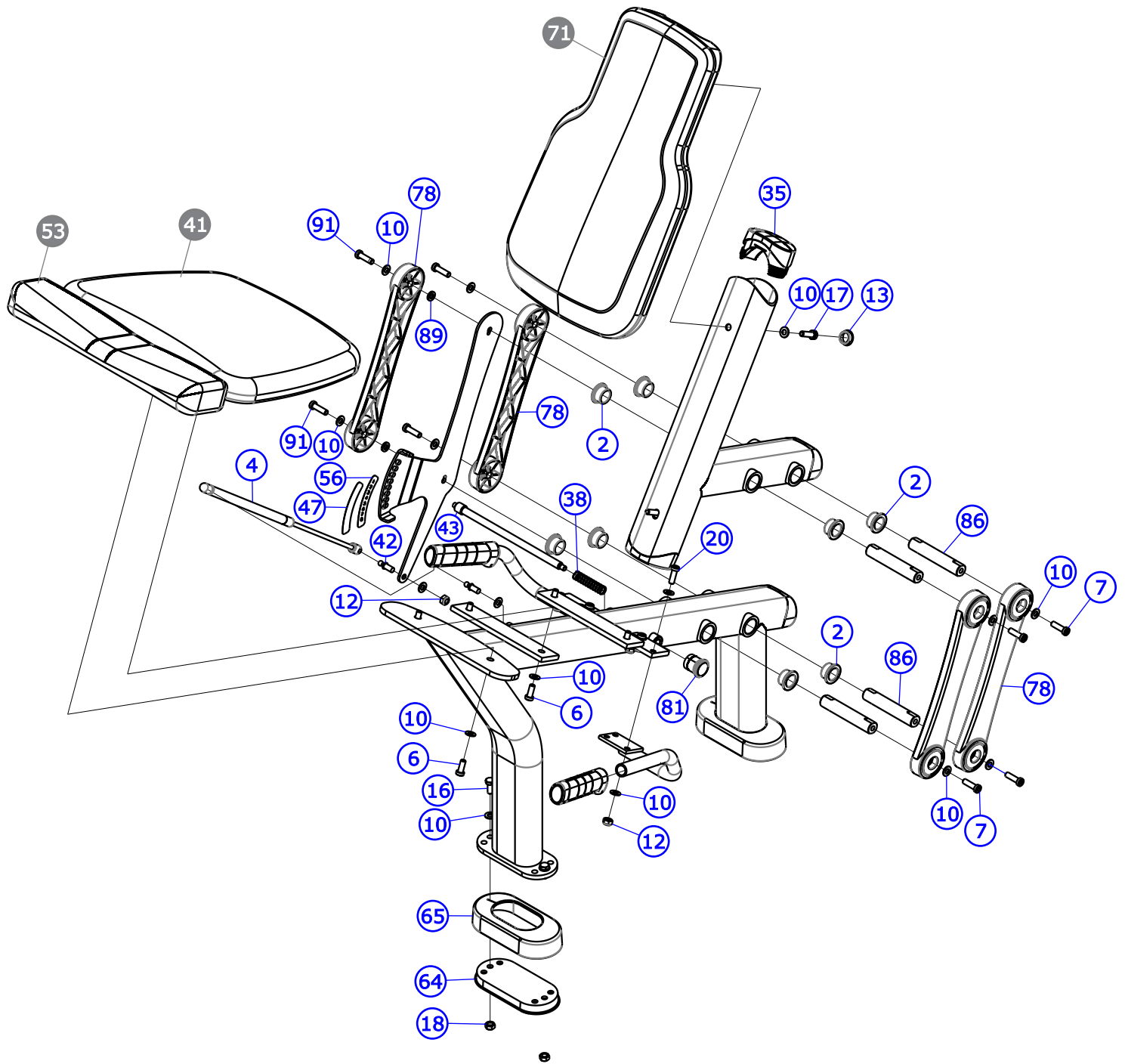
# Insignia Series Leg Extension Work Arm Components



**See page 9 for table**

# Insignia Series Leg Extension Seat Assembly

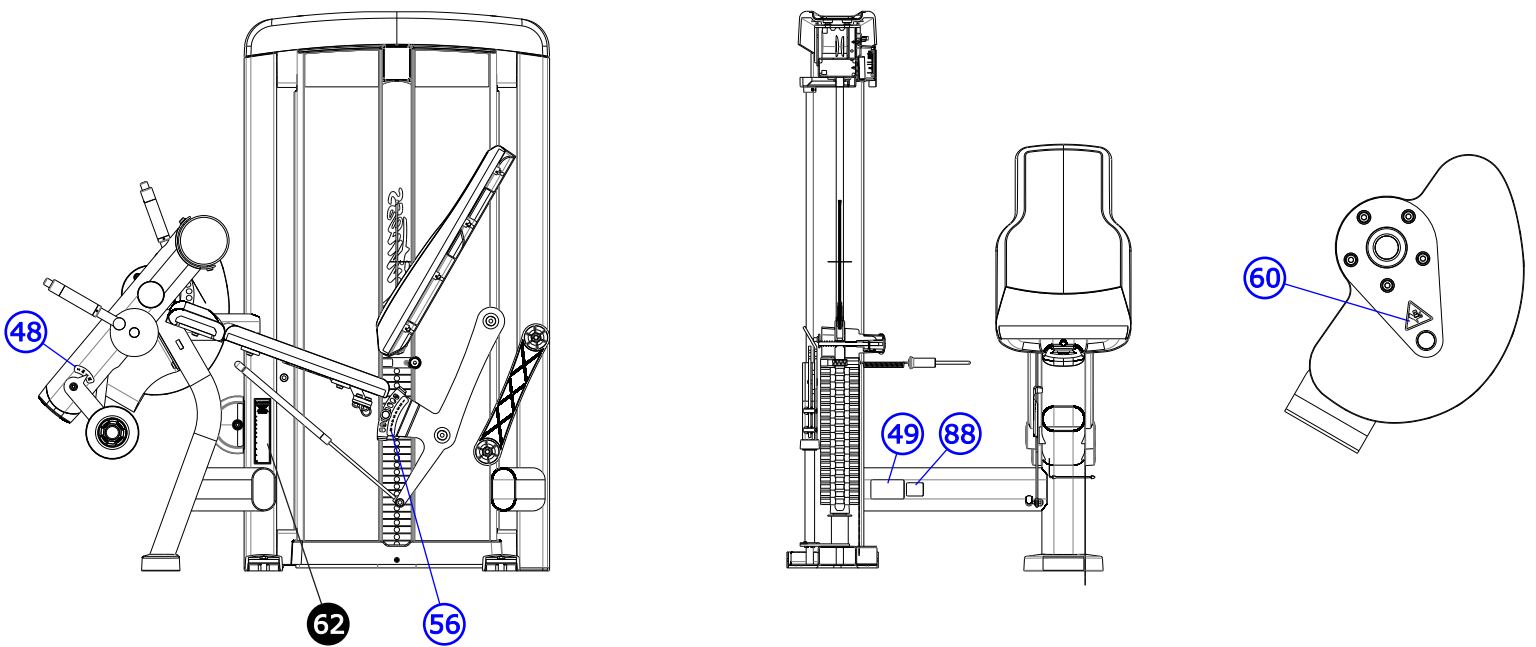
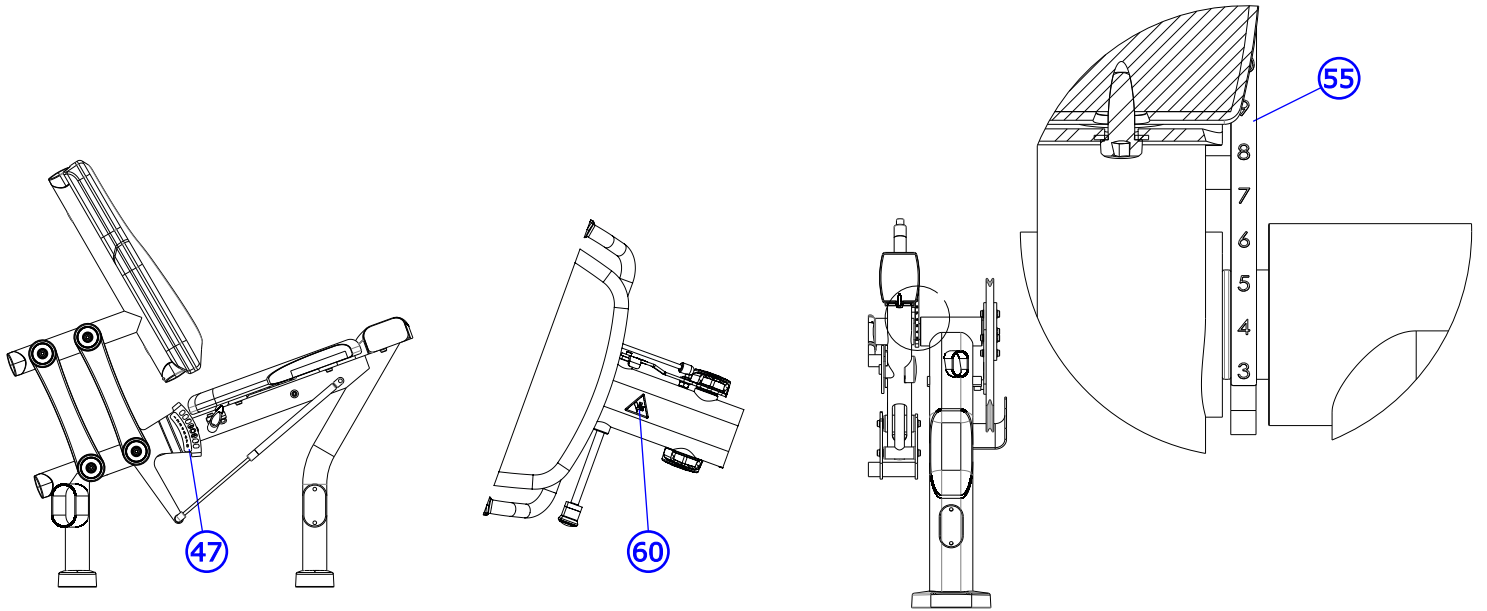
---



**See page 9 for table**

# Insignia Series Leg Extension Labels

---



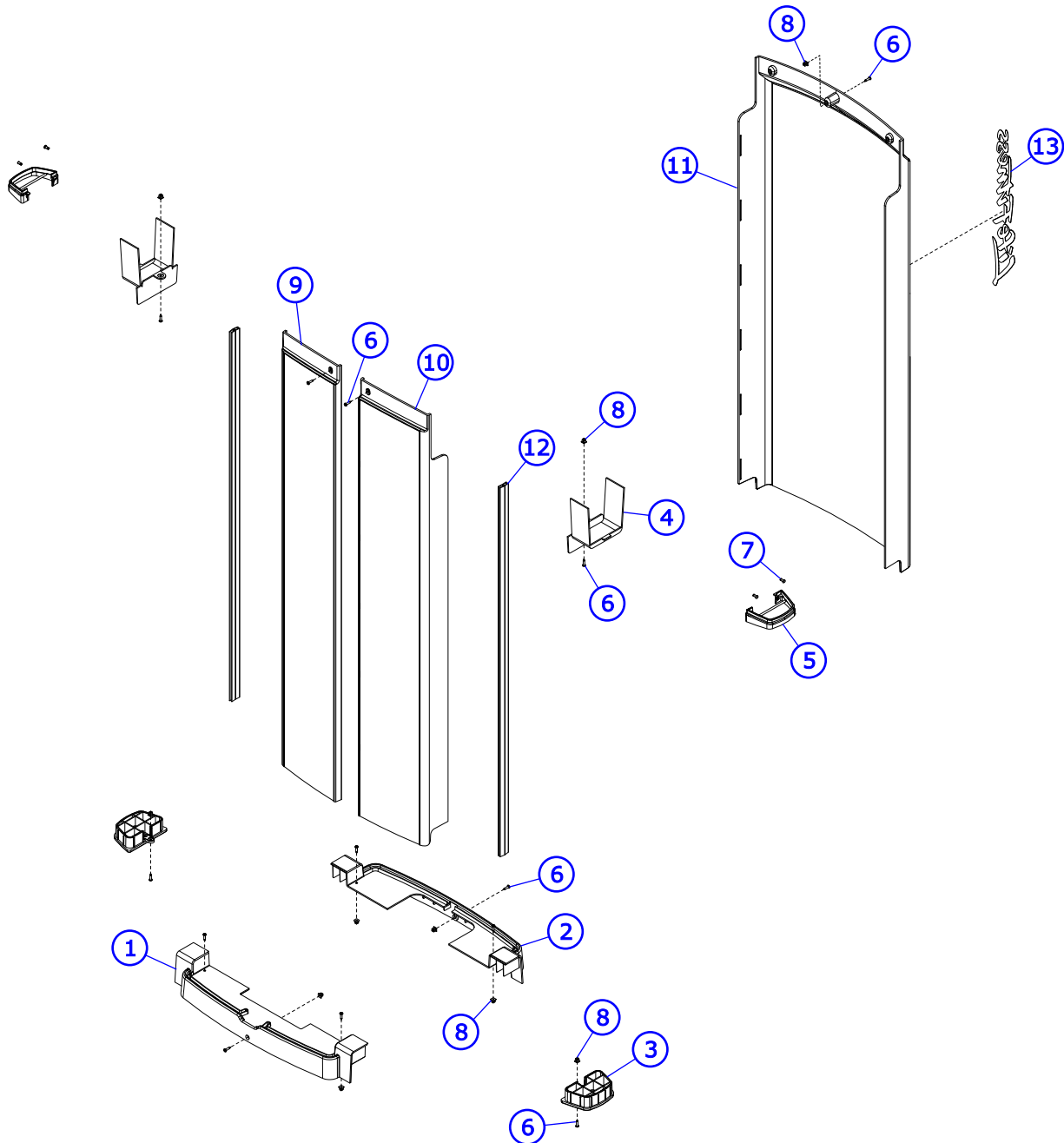
**See page 9 for table**



# Insignia Series Leg Extension Table

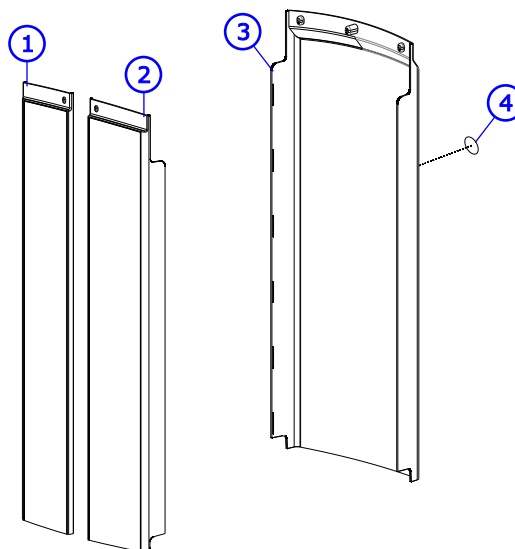
ITEM NO.	QTY.	PART NO.	DESCRIPTION	TRIM
1	2	3104901	.75" ID 1.00" OD BRONZE BUSHING	S L
2	14	3104903	1.00" ID 1.25" OD BRONZ BUSHING	S L
3	2	3232409	RING, RETAINING, EXTERNAL	S L
4	1	3235701	SPRING, GAS 150N	S L
5	2	3235806	GRIP, 1.25 OD X .125 WALL OPEN END	S L
6	20	3236202	SCREW, M10 X1.5 25MM	S L
7	9	3236204	SCREW, M10 X1.5 35MM	S L
8	1	9465599	LABEL, SS-LE PLACARD, LH	S L
9	1	3236207	SCREW, M10 X1.5 50MM	S L
10	55	3236601	WASHER, 3/8 SAE SS	S L
11	2	3236701	WASHER, FENDER 3/8" ID X 1.5" OD SS	S L
12	9	3236801	NUT, M10 HEX NYLOCK SS	S L
13	2	3237403	PLUG, 1" HOLE	S L
14	2	3238601	M10X1.5 BLIND THREADED INSERT (HEX)	S L
15	2	3243201	BEARING, 6007 BALL	S L
16	6	3251202	SCREW, M10 X1.5 X 25MM UNS HEX CS ST ZN	S L
17	2	3251204	SCREW, M10 X1.5 X 35MM UNS HEX CS ST ZN	S L
18	6	3254703	NUT, M10 X 1.5 HEX ZINC	S L
19	4	3275401	M10X1.5 BLIND THREADED INSERT (HEX) -HVY	S L
20	6	3275503	SCREW, M10 X 1.5 X 30 SHCS, LOW HEAD -NO PATCH	S L
21	2	3275507	SCREW, M10 X 1.5 X 50 SHCS, LOW HEAD -NO PATCH	S L
22	1	6757701	CLIP, CABLE 2-7/8 X 1 X 1	S L
23	3	7308702	CAP, BEARING HOUSING	S L
24	1	7320701	WLDMT, FZLE, PIVOT ARM	S L
26	1	7322301	PLATE, 1.97 OD X .44 ID 10GA	S L
30	1	7324801	SHAFT, TAPPED 0.75 DIA X 3.330	S L
31	1	7324901	SHAFT, TAPPED 1 DIA X 3.330	S L
32	1	7329101	PLATE, FZ, CAM COVER	S L
33	1	7329601	PLATE, TIBIA LINK	S L
34	1	7331702	SHAFT, PIVOT X 1.040	S L
35	5	7333902	CAP, LARGE FLOV- END	S L
36	6	7335401	NUT, M10 X 1.5 SOCKET HEAD	S L
37	1	7347301	NUT, SPIDER M10 X 1.5	S L
38	1	7351501	SPRING, PULL PIN LARGE	S L
39	1	7357901	SHAFT COLLAR, 1-1/2" ID ALUM	S L
40	1	1000001-0001	ASSY, ROLLER PAD LONG BLK, SNGL STITCH	S L
		1000001-0099	ASSY, ROLLER PAD LONG CUS, SNGL STITCH	
		1000001-0001	ASSY, ROLLER PAD LONG BLK, SNGL STITCH	
		1000001-0099	ASSY, ROLLER PAD LONG CUS, SNGL STITCH	
41	1	7401501	PAD, SEAT LE/SLC BLK, SNGL STITCH	S L
		1000004-0099	PAD, SEAT LE/SLC CUS, SNGL STITCH	
		1000004-0101	PAD, SEAT LE/SLC BLK, DBL STITCH	
		1000004-0199	PAD, SEAT LE/SLC CUS, DBL STITCH	
42	2	7414301	STUD, M10 BALL END M10 X 1.5	S L
43	1	7425101	PIN, PULL X 12.25	S L
44	1	7511504	SPACER, FZ/PS INTERNAL 4.845	S L
45	1	7511601	KEY, .375 SQUARE X 1.25	S L
46	1	7517101	BRKT, FZLE, CAM GUARD	S L
47	1	1001882-0001	LABEL, 1-7 CURVED -CHR	S L
48	1	7524202	LABEL, S-XL CURVED -CHR	S L
49	1	-	LABEL, SERIAL NUMBER, BLANK	S L
50	1	7630101	RETAINER, CM/MJ, PULLEY	S L
51	2	7662801	RING, GRIP 1.25 OD	S L
52	1	7690103	BUMPER, SLEEVE - 1 INCH DIA	S L
53	1	7767801	PAD, SEAT LEADING EDGE BLK, SNGL STITCH	S L
		1000013-0099	PAD, SEAT LEADING EDGE CUS, SNGL STITCH	
		1000013-0101	PAD, SEAT LEADING EDGE BLK, DBL STITCH	
		1000013-0199	PAD, SEAT LEADING EDGE CUS, DBL STITCH	
54	1	7774601	WLDMT, FZLE ADJ START	S L
55	1	7777802	LABEL, 12-3 STRAIGHT -CHR	S L
56	1	1001881-0001	LABEL, 1-7 CURVED INSIDE -CHR	S L
57	1	7801902	COUNTER WEIGHT, SMALL - COATED	S L
58	2	8024501	SPRING, 1/2 OD X 1-1/2	S L
59	2	8032401	PIN, PUSH	S L
60	2	8039501	LABEL, WARNING, TRIANGLE	S L
61	2	8094102	COVER, PULLEY-BOLTED PARTIAL -CHGR	S L
62	1	8220099	LABEL, ASTM WARNING SELECT	S L
63	1	9436701	CAP, TOWER, TOP, PLASTIC	S -
64	3	9319301	FOOT, 2.50 X 4.49 FLOV	S L
65	2	9319401	COVER, FOOT - STRAIGHT	S L
66	3	9319901	PULLEY, 3/16 IN CABLE (T2), 4.5 IN OD	S L
67	1	9342301	CAM, SS-LE	S L
71	1	1000018-0001	PAD, LARGE BACK BLK, SNGL STITCH	S L
		1000018-0099	PAD, LARGE BACK CUS, SNGL STITCH	
		1000018-0101	PAD, LARGE BACK BLK, DBL STITCH	
		1000018-0199	PAD, LARGE BACK CUS, DBL STITCH	
72	1	9411201	TRAY, TOWER TOP CAP	S L
73	1	9412601	CAP, TOWER -TOP	S L
77	1	9434503	ASSY, SS, COUNTER -STD	S L
78	4	9439100	LINK, SS, SEAT BACK	S L
79	2	9452901	ASSY, SELECTOR CAP	S L
80	1	9453801	PLATE, SS-SLC/LE BACK ADJ	S L
81	1	9454703	KNOB, ADJ	S L
82	1	9454901	PLATE, CABLE END, T2	S L
83	2	9455303	ROD, PUSH PIN	S L
86	4	9472902	SHAFT, TAPPED 1 DIA X 5.330	S L
87	1	9477101	LABEL, SS-LE PLACARD, RH	S L
88	1	9488901	LABEL, INSIGNIA, FCC	S L
89	2	9486801	WASHER, 10.5 ID X 19 OD	S L
90	1	9461401	COVER, FOOT - 20 deg	S L
91	6	3236205	M10 X 1.5 X 40 SHCS, LOW HEAD	S L

# Insignia Series Leg Extension Tower Plastics



ITEM NO.	QTY.	PART NO.	DESCRIPTION
1	1	9410801	COVER, TOWER BOTTOM -FRONT
2	1	9411001	COVER, TOWER BOTTOM -REAR
3	2	9412701	ASSY, TRAP TUBE, CAP, BOTTOM
4	2	9415701	COVER, UPPER CROSS MEMBER
5	2	9415801	GASKET, TRAP TUBE
6	13	3275801	SCREW, 8 X 3/4 DIN PHL PAN AB ST ZB
7	4	0017-00101-1587	RVT 201X0413X.354 T NY NO
8	11	0017-00042-1147	GROMMET: SCREW; 8 OR 10
9	1	9410601	SHROUD, TOWER FRONT, LT - SHORT
10	1	9410701	SHROUD, TOWER FRONT, RT - SHORT
11	1	9411101	SHROUD, TOWER REAR - SHORT
12	2	9414601	SHROUD EXTRUSION - SHORT
13	1	9489101	LABEL, LIFE FITNESS

# Insignia Series Leg Extension Shroud Wraps



BAMBOO	DATE MADE	SERIAL #	ITEM	QTY.	PART NO.	DESCRIPTION
	1/1/2015 - 3/31/2016	PRIOR TO SS-XX0416001	1	1	9511802	SHROUD, SS, FNT, LT, SRT-BAM
			2	1	9511702	SHROUD, SS, FNT, RT, SRT-BAM
			3	1	9511902	SHROUD, SS, REAR, SRT-BAM
	4/01/2016 - PRESENT	ON OR AFTER SS-XX0416001	1	1	1003204-0002	SHROUD, SS, FNT, LT, SRT, ABS-BAM
			2	1	1003203-0002	SHROUD, SS, FNT, RT, SRT, ABS-BAM
			3	1	1003205-0002	SHROUD, SS, REAR, SRT, ABS-BAM

SKY	DATE MADE	SERIAL #	ITEM	QTY.	PART NO.	DESCRIPTION
	1/1/2015 - 3/31/2016	PRIOR TO SS-XX0416001	1	1	9511803	SHROUD, SS, FNT, LT, SRT-SKY
			2	1	9511703	SHROUD, SS, FNT, RT, SRT-SKY
			3	1	9511903	SHROUD, SS, REAR, SRT-SKY
	4/01/2016 - PRESENT	ON OR AFTER SS-XX0416001	1	1	1003204-0003	SHROUD, SS, FNT, LT, SRT, ABS-SKY
			2	1	1003203-0003	SHROUD, SS, FNT, RT, SRT, ABS-SKY
			3	1	1003205-0003	SHROUD, SS, REAR, SRT, ABS-SKY

BRONZE	DATE MADE	SERIAL #	ITEM	QTY.	PART NO.	DESCRIPTION
	1/1/2015 - 3/31/2016	PRIOR TO SS-XX0416001	1	1	9511804	SHROUD, SS, FNT, LT, SRT-BRZ
			2	1	9511704	SHROUD, SS, FNT, RT, SRT-BRZ
			3	1	9511904	SHROUD, SS, REAR, SRT-BRZ
	4/01/2016 - PRESENT	ON OR AFTER SS-XX0416001	1	1	1003204-0004	SHROUD, SS, FNT, LT, SRT, ABS-BRZ
			2	1	1003203-0004	SHROUD, SS, FNT, RT, SRT, ABS-BRZ
			3	1	1003205-0004	SHROUD, SS, REAR, SRT, ABS-BRZ

STEM	DATE MADE	SERIAL #	ITEM	QTY.	PART NO.	DESCRIPTION
	1/1/2015 - 3/31/2016	PRIOR TO SS-XX0416001	1	1	9511805	SHROUD, SS, FNT, LT, SRT-STM
			2	1	9511705	SHROUD, SS, FNT, RT, SRT-STM
			3	1	9511905	SHROUD, SS, REAR, SRT-STM
	4/01/2016 - PRESENT	ON OR AFTER SS-XX0416001	1	1	1003204-0005	SHROUD, SS, FNT, LT, SRT, ABS-STM
			2	1	1003203-0005	SHROUD, SS, FNT, RT, SRT, ABS-STM
			3	1	1003205-0005	SHROUD, SS, REAR, SRT, ABS-STM

ROSEWOOD	DATE MADE	SERIAL #	ITEM	QTY.	PART NO.	DESCRIPTION
	1/1/2015 - 3/31/2016	PRIOR TO SS-XX0416001	1	1	9511806	SHROUD, SS, FNT, LT, SRT-RSW
			2	1	9511706	SHROUD, SS, FNT, RT, SRT-RSW
			3	1	9511906	SHROUD, SS, REAR, SRT-RSW
	4/01/2016 - PRESENT	ON OR AFTER SS-XX0416001	1	1	1003204-0006	SHROUD, SS, FNT, LT, SRT, ABS-RSW
			2	1	1003203-0006	SHROUD, SS, FNT, RT, SRT, ABS-RSW
			3	1	1003205-0006	SHROUD, SS, REAR, SRT, ABS-RSW

STAINLESS STEEL	DATE MADE	SERIAL #	ITEM	QTY.	PART NO.	DESCRIPTION
	1/1/2015 - 3/31/2016	PRIOR TO SS-XX0416001	1	1	9511807	SHROUD, SS, FNT, LT, SRT-SS
			2	1	9511707	SHROUD, SS, FNT, RT, SRT-SS
			3	1	9511907	SHROUD, SS, REAR, SRT-SS
	4/01/2016 - PRESENT	ON OR AFTER SS-XX0416001	1	1	1003204-0007	SHROUD, SS, FNT, LT, SRT, ABS-SS
			2	1	1003203-0007	SHROUD, SS, FNT, RT, SRT, ABS-SS
			3	1	1003205-0007	SHROUD, SS, REAR, SRT, ABS-SS

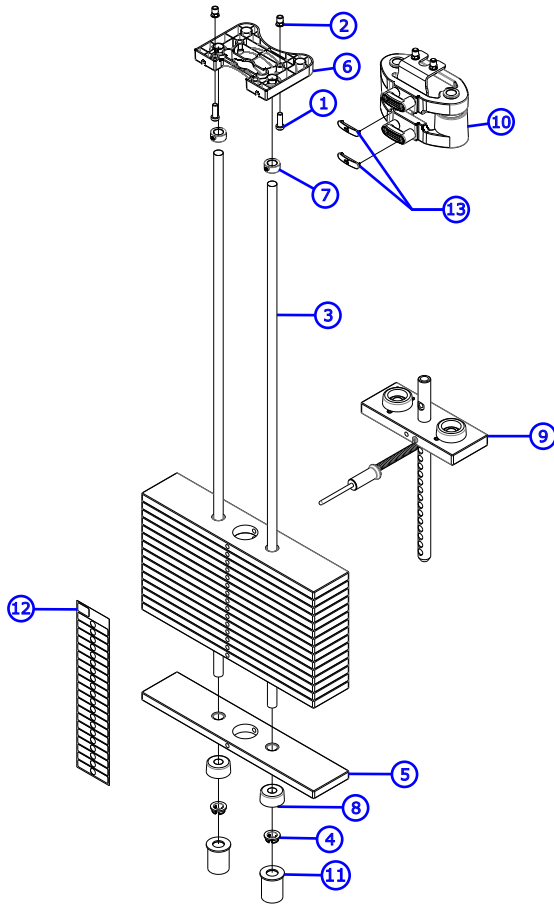
PREMIUM STAINLESS STEEL	DATE MADE	SERIAL #	ITEM	QTY.	PART NO.	DESCRIPTION
	4/01/2016 - PRESENT	ON OR AFTER SS-XX0416001	1	1	1003204-0008	SHROUD, SS, FNT, LT, SRT, ABS-PSS
			2	1	1003203-0008	SHROUD, SS, FNT, RT, SRT, ABS-PSS
			3	1	1003205-0008	SHROUD, SS, REAR, SRT, ABS-PSS

PREMIUM BLACK CARBON FIBER	DATE MADE	SERIAL #	ITEM	QTY.	PART NO.	DESCRIPTION
	4/01/2016 - PRESENT	ON OR AFTER SS-XX0416001	1	1	1003204-0009	SHROUD, SS, FNT, LT, SRT, ABS-PBCF
			2	1	1003203-0009	SHROUD, SS, FNT, RT, SRT, ABS-PBCF
			3	1	1003205-0009	SHROUD, SS, REAR, SRT, ABS-PBCF

4	1	AK58-00245-2401	MEDALLION-ASSY-LF-BUG B
---	---	-----------------	-------------------------

# Insignia Series Leg Extension Weight Stack Assemblies

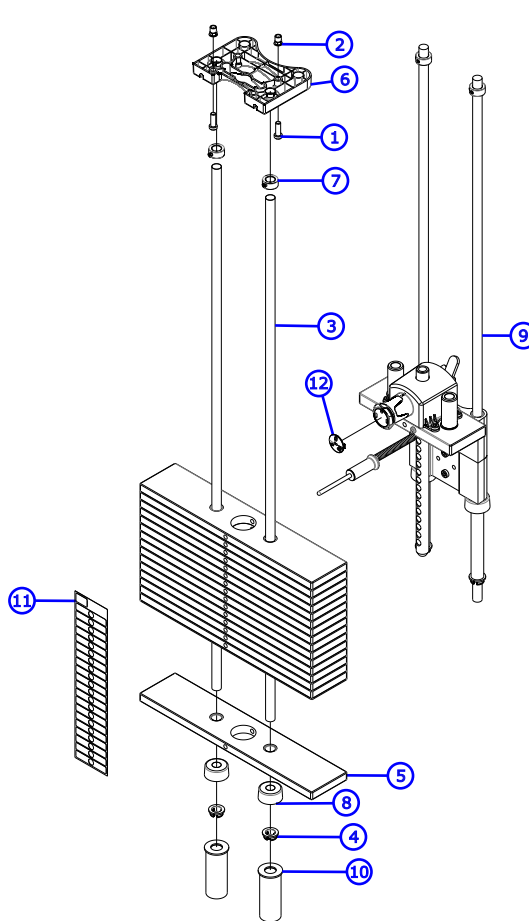
## T - Base



Uses 9423913 Cable (112.438")

ITEM NO.	QTY.	PART NO.	DESCRIPTION
1	2	3236203	SCREW, M10 X1.5 30MM
2	2	3238601	M10X1.5 BLIND THREADED INSERT (HEX)
3	2	7328612	GUIDE ROD, .75 OD SOLID 50.36
4	2	7337901	BUSHING, GUIDE ROD
5	16	9407601	WGT PL, 3/4IN X 4IN, 15 LB
6	1	9412801	RETAINER, GUIDE ROD - TOP
7	2	3103301	SHAFT COLLAR, 3/4 IN ID
8	2	7352101	CUSHION, WEIGHT STACK
9	1	SEE PAGE 14	HEAD PLATE ASSY
10	1	SEE PAGE 14	INCREMENTAL WEIGHTS
11	2	9495913	WLDMT, WGT STK SPACER X 3.00 -CHR
12	1	9475301	LABEL, 3/4 IN WGT STACK, 295 LB
		9475201	LABEL, 3/4 IN WGT STACK, 147.5 KG
13	2	9462303	CAP, DD INC WGT, YEL -LBS
		9462403	CAP, DD INC WGT, YEL -KG

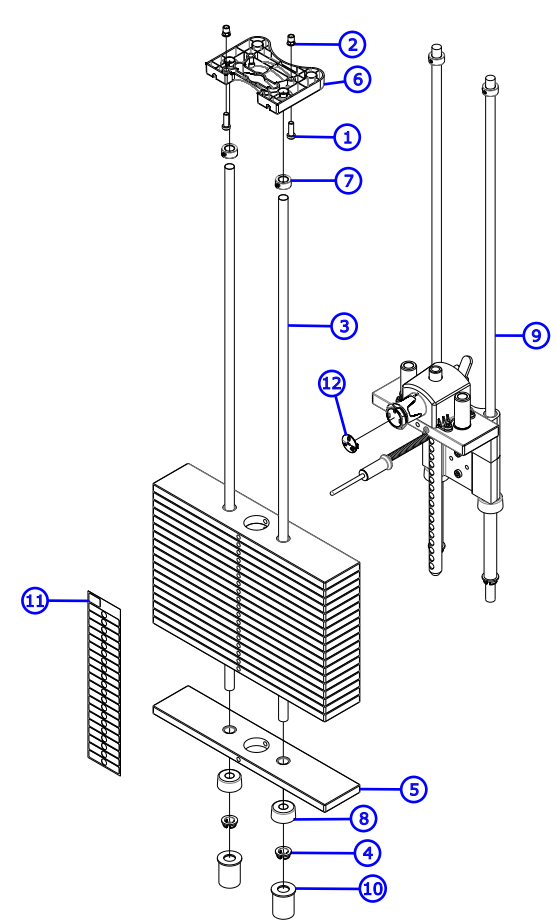
## C - Light



Uses 9423914 Cable (110.188")

ITEM NO.	QTY.	PART NO.	DESCRIPTION
1	2	3236203	SCREW, M10 X1.5 30MM
2	2	3238601	M10X1.5 BLIND THREADED INSERT (HEX)
3	2	7328612	GUIDE ROD, .75 OD SOLID 50.36
4	2	7337901	BUSHING, GUIDE ROD
5	16	9407601	WGT PL, 3/4IN X 4IN, 15 LB
6	1	9412801	RETAINER, GUIDE ROD - TOP
7	2	3103301	SHAFT COLLAR, 3/4 IN ID
8	2	7352101	CUSHION, WEIGHT STACK
9	1	SEE PAGE 15	HEAD PLATE/RODSASSY
10	2	9495915	WLDMT, WGT STK SPACER X 5.25 -CHR
11	1	9475301	LABEL, 3/4 IN WGT STACK, 295 LB
		9475201	LABEL, 3/4 IN WGT STACK, 147.5 KG
12	1	9431403	CAP, SELECTOR KNOB -LBS
		9450103	CAP, SELECTOR KNOB -KGS

## X - Heavy



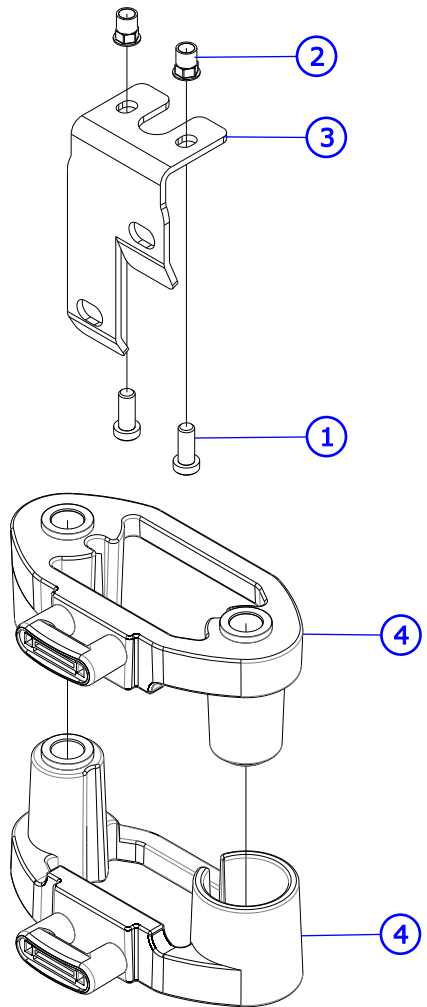
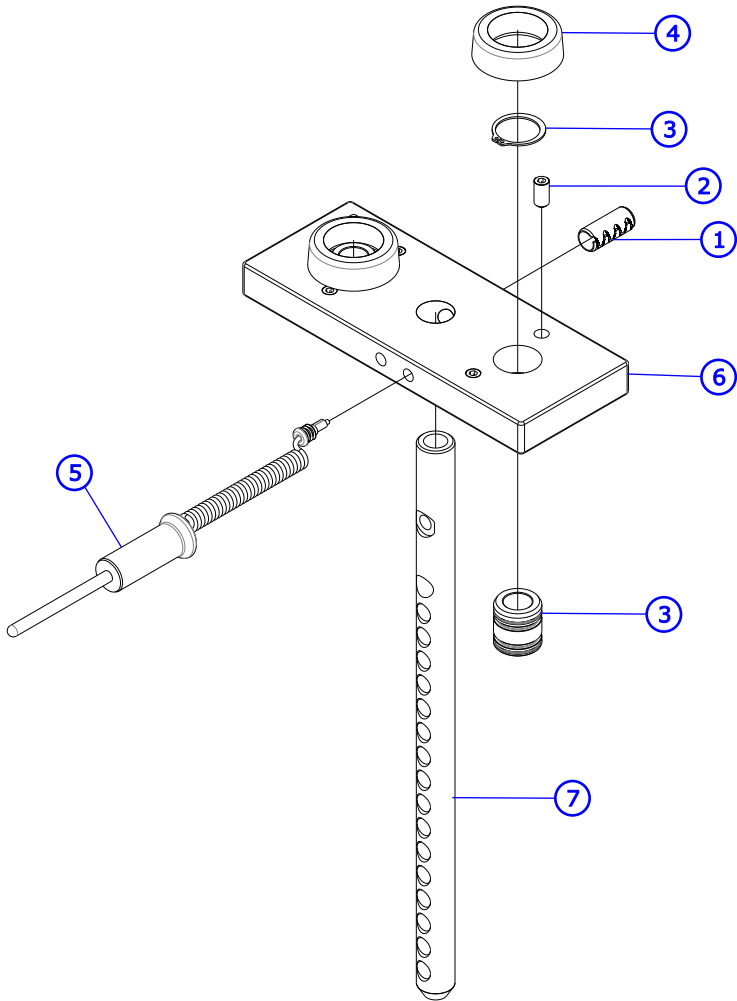
Uses 923914 Cable (110.188")

ITEM NO.	QTY.	PART NO.	DESCRIPTION
1	2	3236203	SCREW, M10 X1.5 30MM
2	2	3238601	M10X1.5 BLIND THREADED INSERT (HEX)
3	2	7328612	GUIDE ROD, .75 OD SOLID 50.36
4	2	7337901	BUSHING, GUIDE ROD
5	19	9407601	WGT PL, 3/4IN X 4IN, 15 LB
6	1	9412801	RETAINER, GUIDE ROD - TOP
7	2	3103301	SHAFT COLLAR, 3/4 IN ID
8	2	7352101	CUSHION, WEIGHT STACK
9	1	SEE PAGE 15	HEAD PLATE/RODSASSY
10	2	9495913	WLDMT, WGT STK SPACER X 3.00 -CHR
11	1	9475301	LABEL, 3/4 IN WGT STACK, 295 LB
		9475201	LABEL, 3/4 IN WGT STACK, 147.5 KG
12	1	9431403	CAP, SELECTOR KNOB -LBS
		9450103	CAP, SELECTOR KNOB -KGS

# Insignia Series Leg Extension

## T Trim Head Plate and Drop Down Increment Weights

**T Trim**

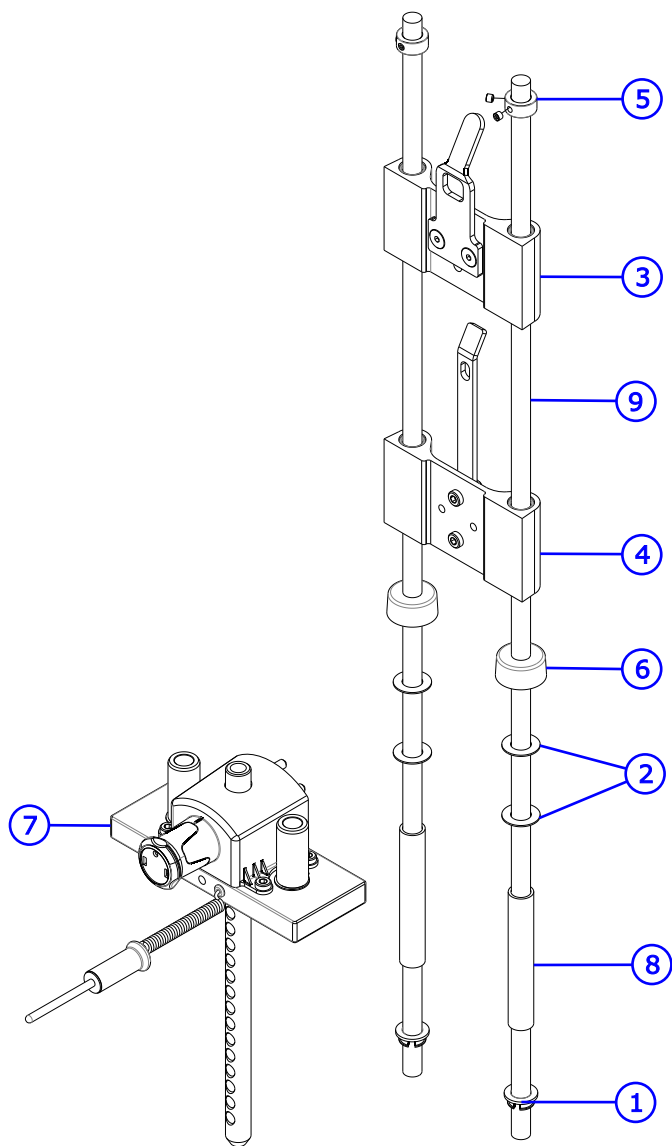


ITEM NO.	QTY.	PART NO.	DESCRIPTION
1	1	3236001	BUSHING, SPRING PIN
2	4	3240501	M10 X 1.5 HXS NO CUP ST BO
3	2	7338001	BUSHING, HEADPLATE
4	2	7767602	BUMPER, INCREMENT WT -BLK
5	1	1003679-0003	ASSY, WGT STK SELECTOR PIN -YELLOW
6	1	9427401	HEADPLATE, WT. STACK, 10LB
7	1	9434202	BAYONET, 16 PLATE

ITEM NO.	QTY.	PART NO.	DESCRIPTION
1	2	3236202	SCREW, M10 X1.5 25MM
2	2	3238601	M10X1.5 BLIND THREADED INSERT (HEX)
3	1	9430801	BRKT, INC WGT STRIKER
4	2	9455403	ASSY, DD INC WGT -YEL

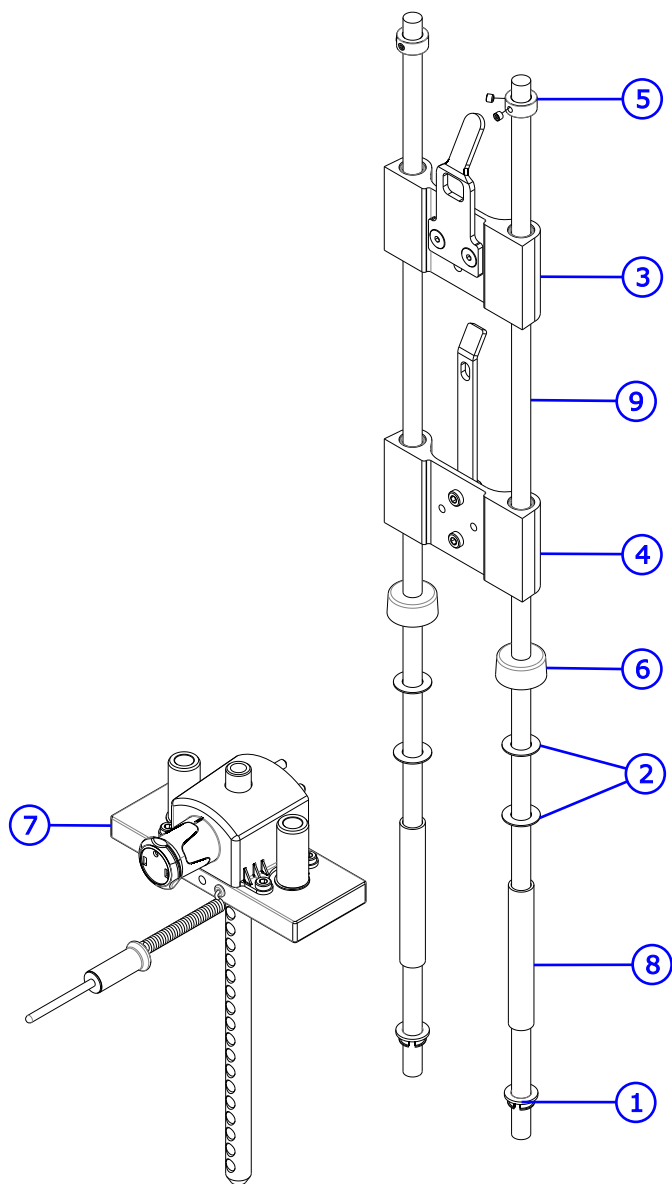
# Insignia Series Leg Extension C and X Trim Stack Components

## C Trim



ITEM NO.	QTY.	PART NO.	DESCRIPTION
1	2	7337901	BUSHING, GUIDE ROD
2	4	7351001	SPACER, INC WT STACK
3	1	SEE PAGE 17	ASSY, INC WGT -5LB
4	1	SEE PAGE 17	ASSY, INC WGT -10LB
5	2	3103301	SHAFT COLLAR, 3/4 IN ID
6	2	7352101	CUSHION, WEIGHT STACK
7	1	SEE PAGE 16	ASSY, SS, HEAD PLATE, DIAL, STD -16
8	2	7328707	SPACER, INC WT STACK -9.63
9	2	7328612	GUIDE ROD, .75 OD SOLID X 50.36

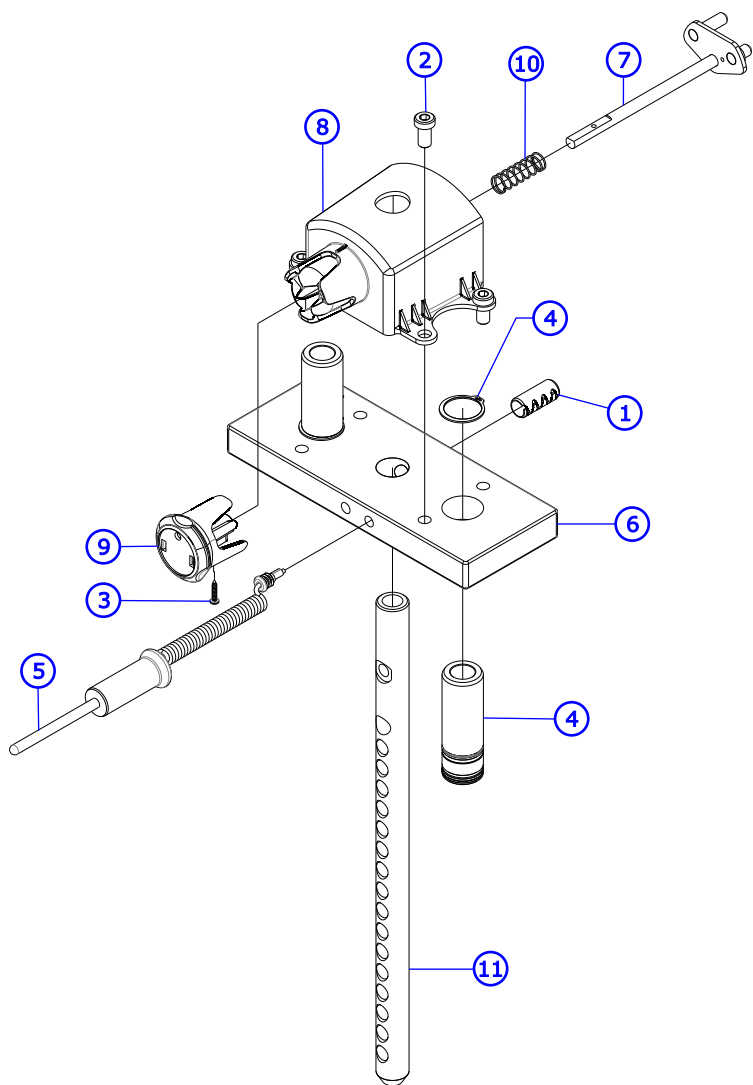
## X Trim



ITEM NO.	QTY.	PART NO.	DESCRIPTION
1	2	7337901	BUSHING, GUIDE ROD
2	4	7351001	SPACER, INC WT STACK
3	1	SEE PAGE 17	ASSY, INC WGT -5LB
4	1	SEE PAGE 17	ASSY, INC WGT -10LB
5	2	3103301	SHAFT COLLAR, 3/4 IN ID
6	2	7352101	CUSHION, WEIGHT STACK
7	1	SEE PAGE 16	ASSY, SS, HEAD PLATE, HVY -19
8	2	7328707	SPACER, INC WT STACK -9.63
9	2	7328612	GUIDE ROD, .75 OD SOLID X 50.36

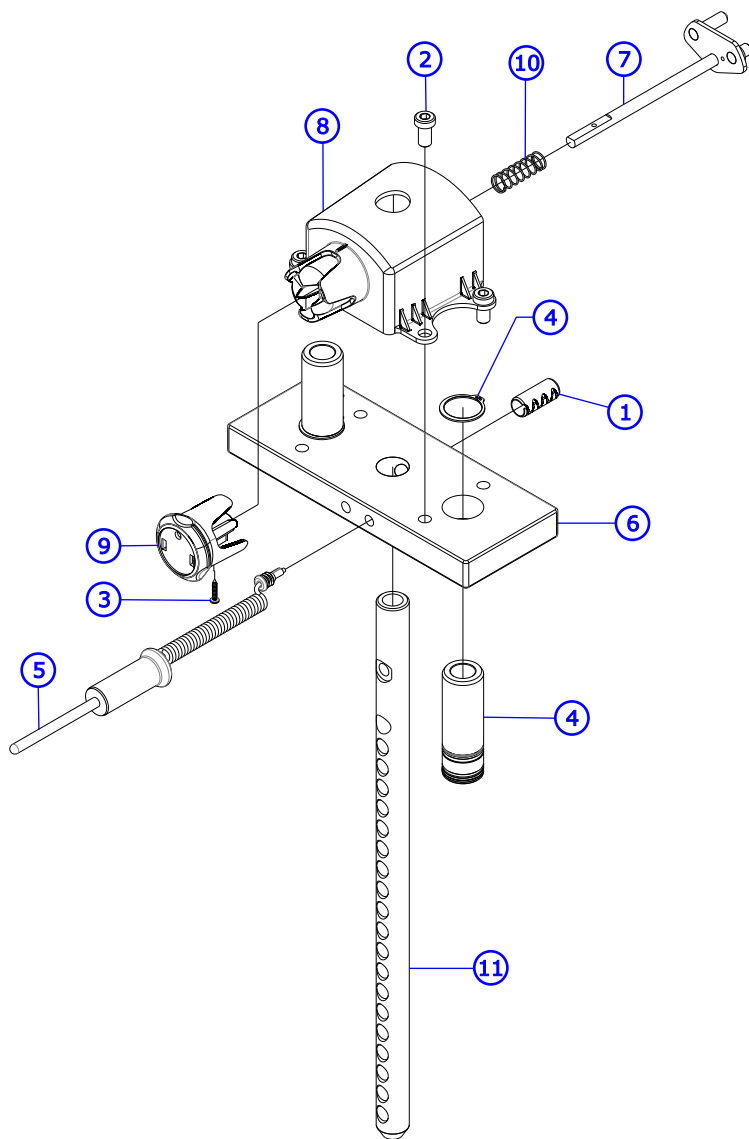
# Insignia Series Leg Extension C and X Trim Head Plate Assemblies

## C Trim



ITEM NO.	QTY.	PART NO.	DESCRIPTION
1	1	3236001	BUSHING, SPRING PIN
2	4	3236201	SCREW, M10 X1.5 20MM
3	1	3275601	SCREW, 6 X 3/4 DIN PHL PAN AB ST ZB
4	2	9296001	BUSHING, HEADPLATE, LONG
5	1	1003679-0003	ASSY, WGT STK SELECTOR PIN -YELLOW
6	1	9427401	HEADPLATE, WT. STACK, 10LB
7	1	9427501	WLDMT, INC WGT PIN
8	1	9430501	HSNG, INC WEIGHT
9	1	9443201	KNOB, INC WEIGHT
10	1	9443301	SPRING, INC WGT PIN
11	1	9434202	BAYONET, 16 PLATE

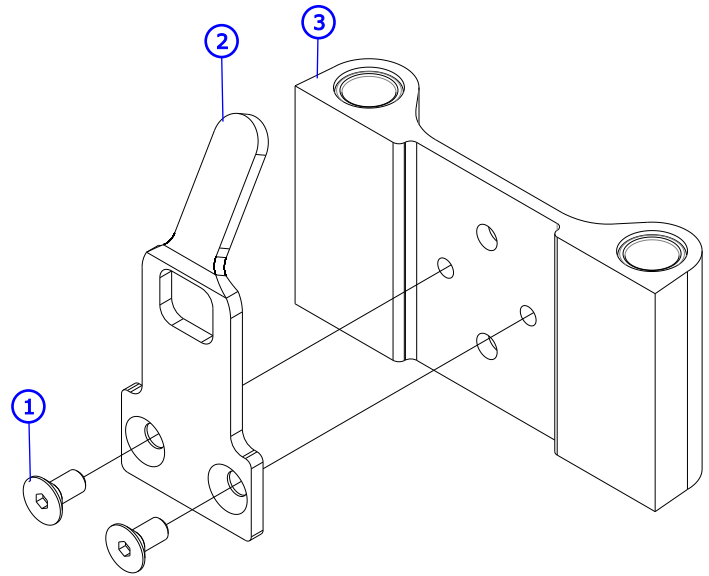
## X Trim



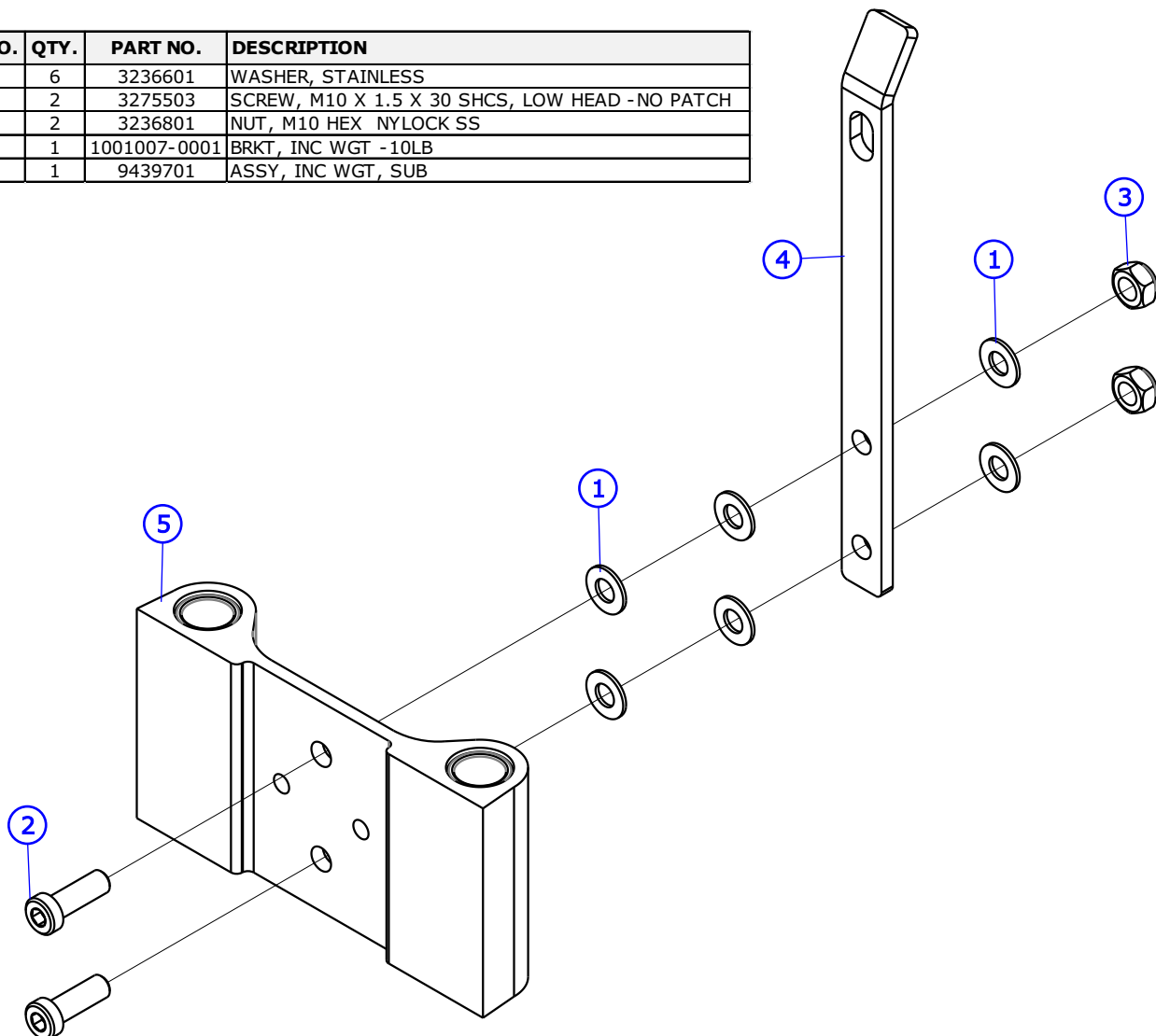
ITEM NO.	QTY.	PART NO.	DESCRIPTION
1	1	3236001	BUSHING, SPRING PIN
2	4	3236201	SCREW, M10 X1.5 20MM
3	1	3275601	SCREW, 6 X 3/4 DIN PHL PAN AB ST ZB
4	2	9296001	BUSHING, HEADPLATE, LONG
5	1	1003679-0003	ASSY, WGT STK SELECTOR PIN -YELLOW
6	1	9427401	HEADPLATE, WT. STACK, 10LB
7	1	9427501	WLDMT, INC WGT PIN
8	1	9430501	HSNG, INC WEIGHT
9	1	9443201	KNOB, INC WEIGHT
10	1	9443301	SPRING, INC WGT PIN
11	1	9426002	BAYONET, 19 PLATE

# Insignia Series Leg Extension C and X Trim Incremental Weights

ITEM NO.	QTY.	PART NO.	DESCRIPTION
1	2	3238301	M10x1.5x20mm
2	1	9428201	BRKT, INC WGT -5 LB
3	1	9439701	ASSY, INC WGT, SUB



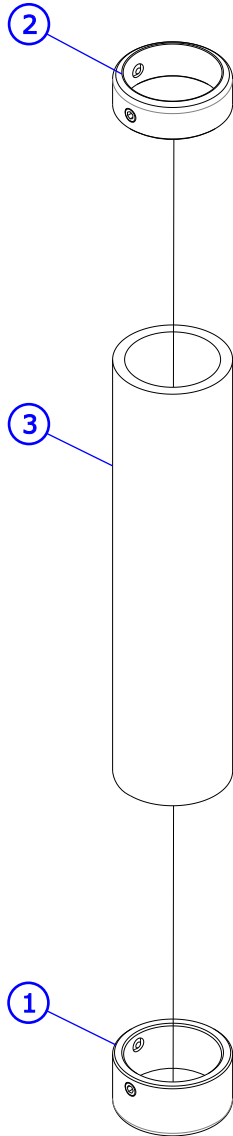
ITEM NO.	QTY.	PART NO.	DESCRIPTION
1	6	3236601	WASHER, STAINLESS
2	2	3275503	SCREW, M10 X 1.5 X 30 SHCS, LOW HEAD -NO PATCH
3	2	3236801	NUT, M10 HEX NYLOCK SS
4	1	1001007-0001	BRKT, INC WGT -10LB
5	1	9439701	ASSY, INC WGT, SUB





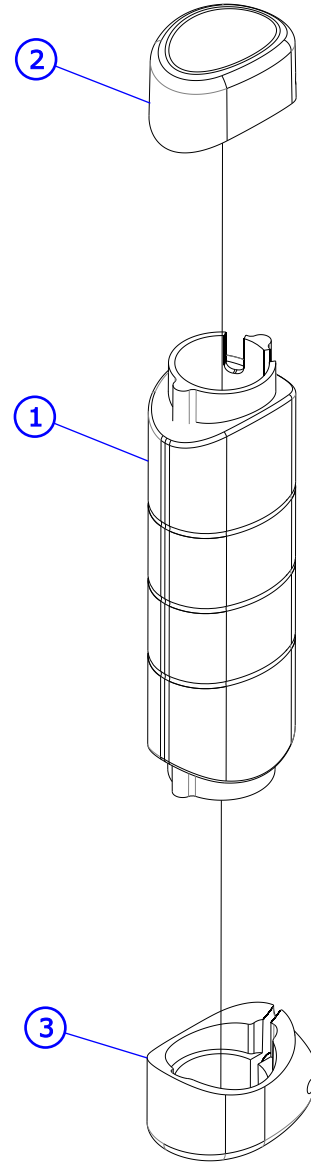
# Insignia Series Leg Extension Grip Assemblies

## S Trim



ITEM NO.	QTY.	PART NO.	DESCRIPTION
1	1	7662901	CAP, GRIP 1.25 OD
2	1	7662801	RING, GRIP
3	1	3235806	GRIP, 1.25 OD X .125 WALL, OPEN END

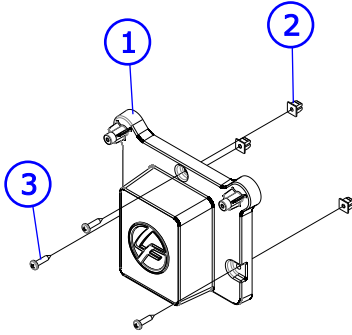
## L Trim



ITEM NO.	QTY.	PART NO.	DESCRIPTION
1	1	9453001	GRIP, ERGO, OVERMOLD
2	1	1001761-0001	ASSY, CAP, GRIP
3	1	1001760-0001	ASSY, COLLAR, ERGO GRIP

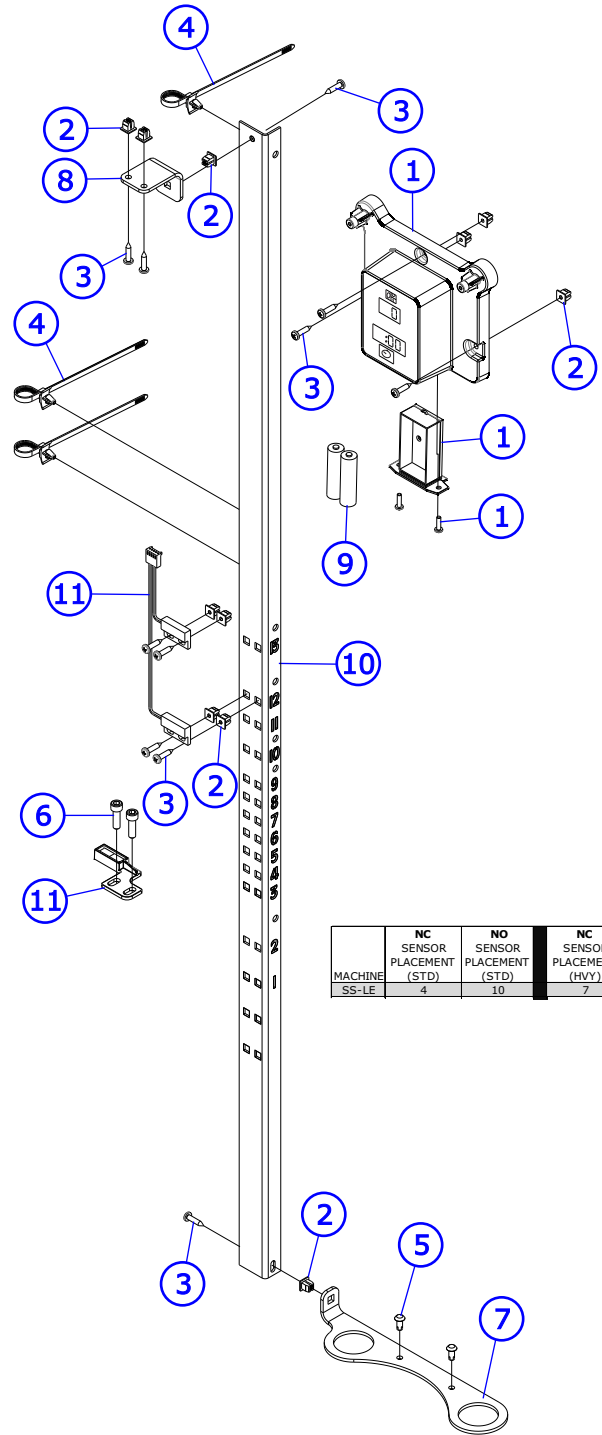
# Insignia Series Leg Extension Sensor Assemblies

## S Trim



ITEM NO.	QTY.	PART NO.	DESCRIPTION
1	1	9437401	SS - ASSY, DISPLAY, BASE
2	3	0017-00042-1147	GROMMET: SCREW; 8 OR 10
3	3	3275801	SCREW, 8 X 3/4 DIN PHL PAN AB ST ZB

## L Trim



	NC SENSOR PLACEMENT (STD)	NO SENSOR PLACEMENT (STD)	NC SENSOR PLACEMENT (HVY)	NO SENSOR PLACEMENT (HVY)
MACHINE SS-LE	4	10	7	12

ITEM NO.	QTY.	PART NO.	DESCRIPTION
1	1	9417701	ASSY, DISPLAY, COUNTER
2	11	0017-00042-1147	GROMMET: SCREW; 8 OR 10
3	11	3275801	SCREW, 8 X 3/4 DIN PHL PAN AB ST ZB
4	3	3276101	GROMMET, CABLE TIE
5	2	0017-00101-1587	RVT 201X0413X.354 T NY NO
6	2	3241701	SCREW, M6 X1 20MM
7	1	9432728	BRKT, SS, SWITCH MNT -CHGR
8	1	9434828	BRKT, SS, SWITCH MNT
9	2	-	BATTERY, AA
10	1	9434628	BRKT, SS, SWITCH MNT, STD -CHR
11	1	1000585-0001	ASSY, SS, PROX SWITCH/MAGNET