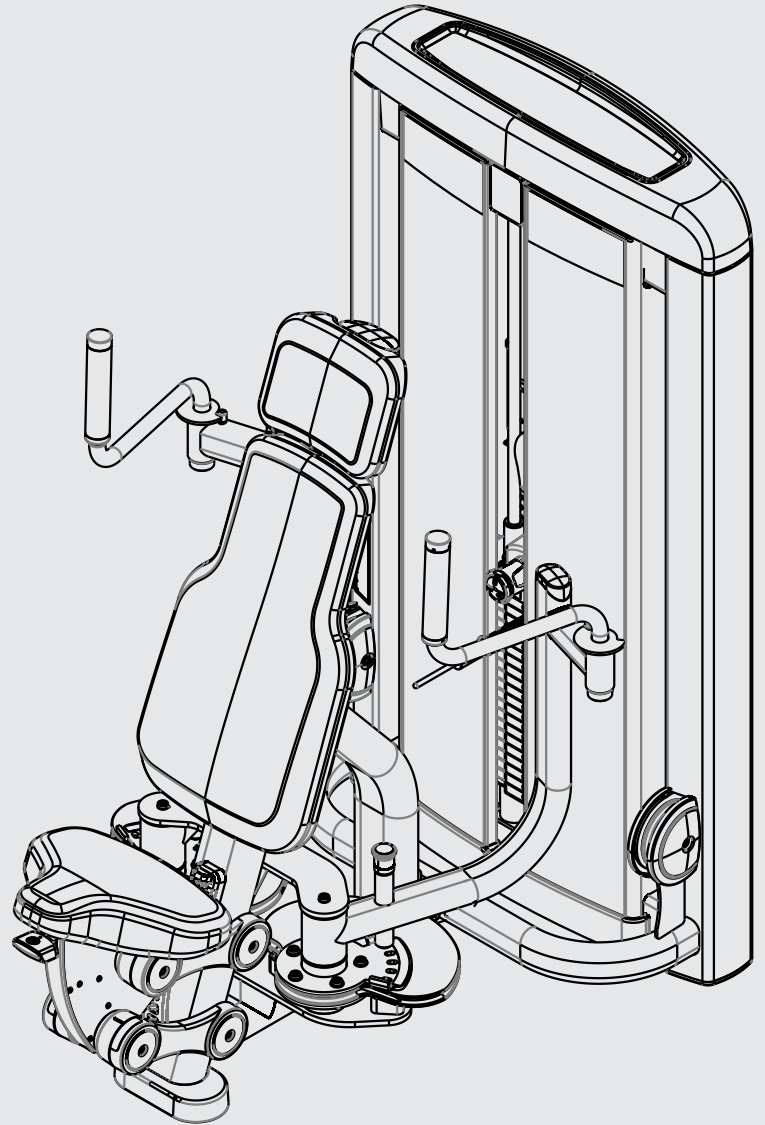


INSIGNIA SERIES  
PECTORAL FLY  
SS-PEC  
PARTS MANUAL



# Insignia Series Pectoral Fly

## Contents

---

Options and Key .....	3
Powder Coat Painted Frame Weldments .....	4
Component Assembly .....	5
Work Arm Components .....	6
Labels .....	7
Table .....	8
Seat Assembly .....	9
Tower Plastics .....	10
Shroud Wraps .....	11
Weight Stack Assemblies .....	12
Stack Pulleys .....	13
T Trim Head Plate and Drop Down Increment Weights .....	14
C and X Trim Stack Components .....	15
C and X Trim Head Plate Assemblies .....	16
C and X Trim Incremental Weights .....	17
Sensor Assemblies .....	18

# Insignia Series Pectoral Fly

## Options and Key

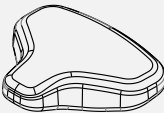
**FRAME COLOR OPTION**

SELECT POWDERCOAT COLOR

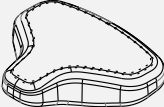
- BLACK
- BLUE
- CANDY APPLE RED
- CHARCOAL
- DIAMOND WHITE
- ELECTRIC BLUE
- ICE BLUE METALLIC
- MIDNIGHT METALLIC
- MOCHA SAND
- NICKEL
- PLATINUM
- RED
- TITANIUM
- WHITE
- YELLOW
- CUSTOM

**UPHOLSTERY OPTION**

SINGLE STITCH



DOUBLE STITCH



**UPHOLSTERY COLOR OPTION**

- AMERICAN BEAUTY RED
- AZURE
- BLACK
- BLACK CARBON FIBER
- BURGUNDY
- CANDLY APPLE RED
- CHESTNUT
- CONCORD
- CRANBERRY
- CROCUS
- DARK WALNUT
- DOVE GRAY
- EMERALD
- GRAPHITE
- GROTTO
- GUN METAL
- HUNTER GREEN
- IMPERIAL BLUE
- JADE
- NAVY
- NORTHWOODS GREEN
- PAPRIKA
- PLUM
- PUTTY
- REGIMENTAL BLUE
- ROYAL BLUE
- SLATE
- SPACE BLUE
- SUEDE
- TERRA COTTA
- TURQUOISE
- WHEAT
- CUSTOM

**LANGUAGE OPTION**

SELECT LANGUAGE

- 01 ENGLISH
- 02 GERMAN
- 03 FRENCH
- 04 SPANISH
- 05 ITALIAN
- 06 DUTCH
- 07 JAPANESE
- 08 PORTUGUESE
- 10 RUSSIAN
- 11 TURKISH
- 12 CHINESE
- 13 ARABIC

**WEIGHT STACK OPTION**

- T - BASE STACK
- C - LIGHT STACK
- X - HEAVY STACK

POUNDS

KILOGRAMS

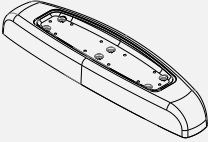

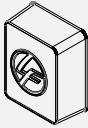
**SHROUD WRAP OPTION**

- BAMBOO
- BLACK CARBON FIBER
- BRONZE
- FULL SHROUD
- PREMIUM STAINLESS STEEL
- ROSEWOOD
- SKY
- STAINLESS STEEL
- STEM
- CUSTOM

**TRIM OPTION**

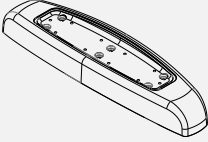

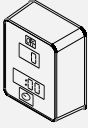
S

PLASTIC TOWER CAP  
STANDARD GRIP  
NO REP COUNTER

L

PAINTED CAST TOWER CAP  
ERGO GRIP  
REP COUNTER

### KEY

LANGUAGE ① ② ③

Items with Black call-outs require the last two digits (XX) to be replaced with language codes listed above. IE: 12345XX should be 1234501 for English.

UPHOLSTERY ① ② ③

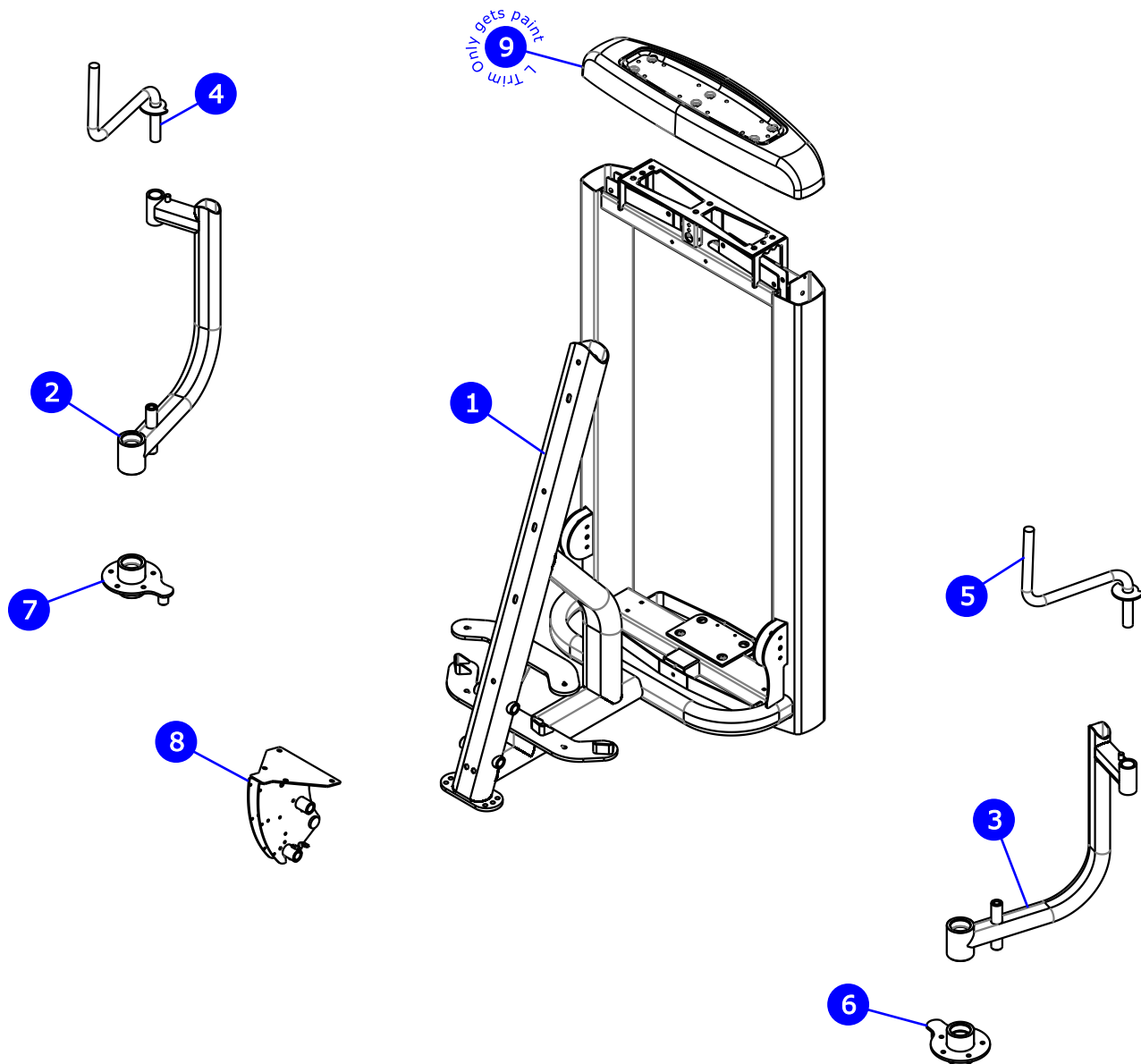
Items with Gray call-outs require the upholstery color within the order notes. IE: Putty.

FRAME COLOR ① ② ③

Items with Blue call-outs require the powder coat frame color to be within the order notes.

# Insignia Series Pectoral Fly

## Powder Coat Painted Frame Weldments

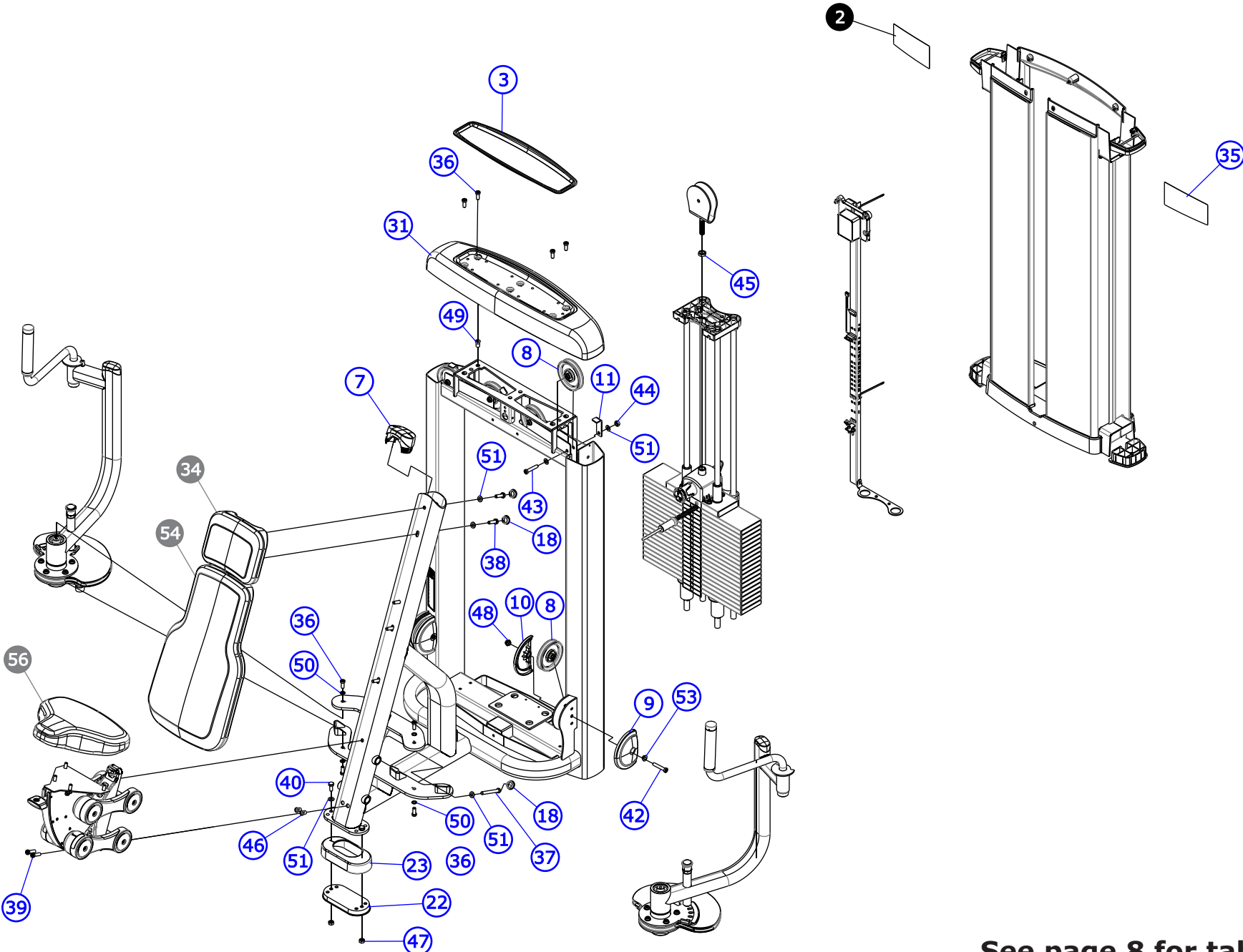


ITEM NO.	QTY.	PART NO.	DESCRIPTION	TRIP	
1	1	POSSIBLE RMA	WLDMT, SS-PEC, MAIN FRAME	S	L
2	1	8164899	WLDMT, FZPEC, PRESS ARM - RT	S	L
3	1	8164699	WLDMT, FZPEC, PRESS ARM - LH	S	L
4	1	7486099	WLDMT, FZFLY HANDLE - RT	S	L
5	1	7486199	WLDMT, FZFLY HANDLE - LT	S	L
6	1	9435199	WLDMT, SS-PEC PIVOT HOUSING, LEFT	S	L
7	1	9435399	WLDMT, SS-PEC PIVOT HOUSING, RIGHT	S	L
8	1	9401299	WLDMT, SS-FRONT SEAT SUPPORT	S	L
9	1	9412699	CAP, SS, CAST	-	L

**ITEMS ON THIS PAGE ARE POWDER COAT PAINTED. REFER TO PAGE 3 FOR ORDERING INSTRUCTIONS.**

# Insignia Series Pectoral Fly

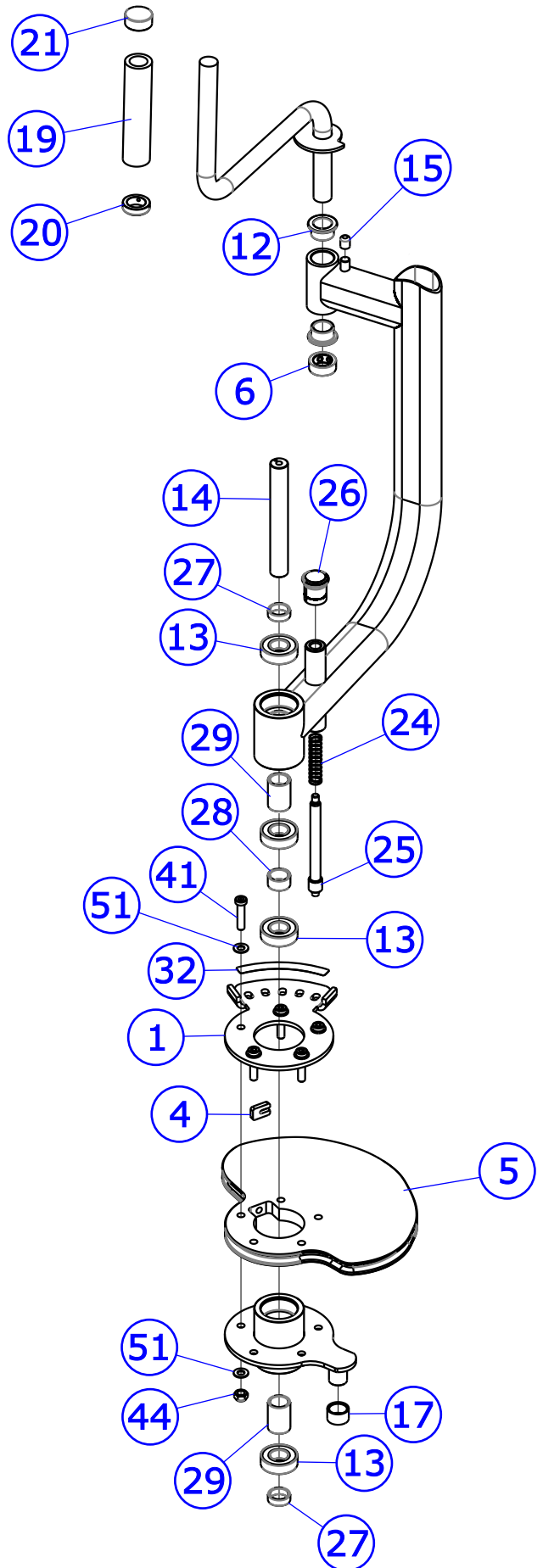
## Component Assembly



See page 8 for table

# Insignia Series Pectoral Fly Work Arm Components

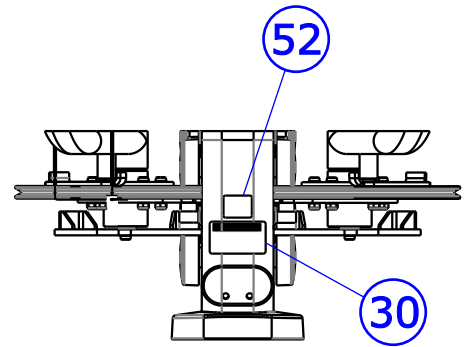
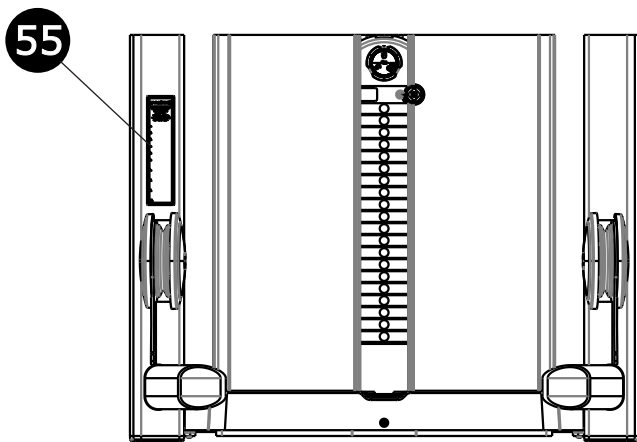
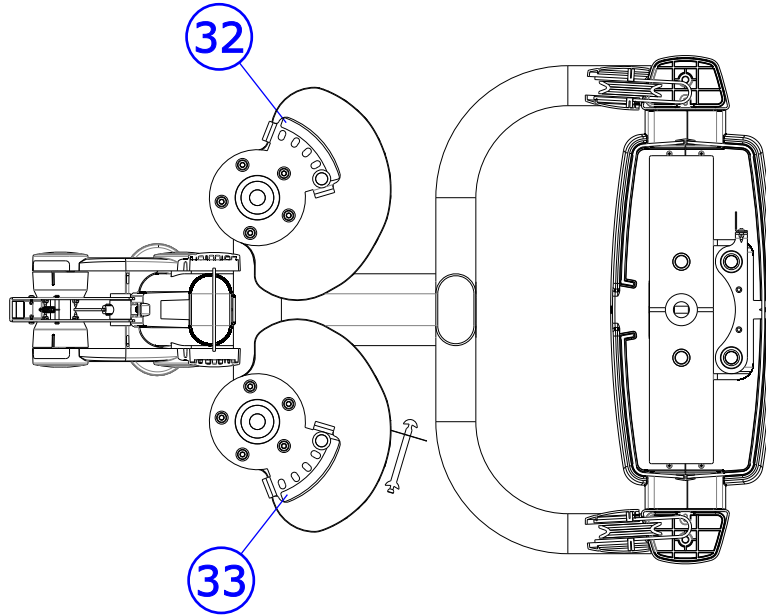
---



**See page 8 for table**

# Insignia Series Pectoral Fly Labels

---



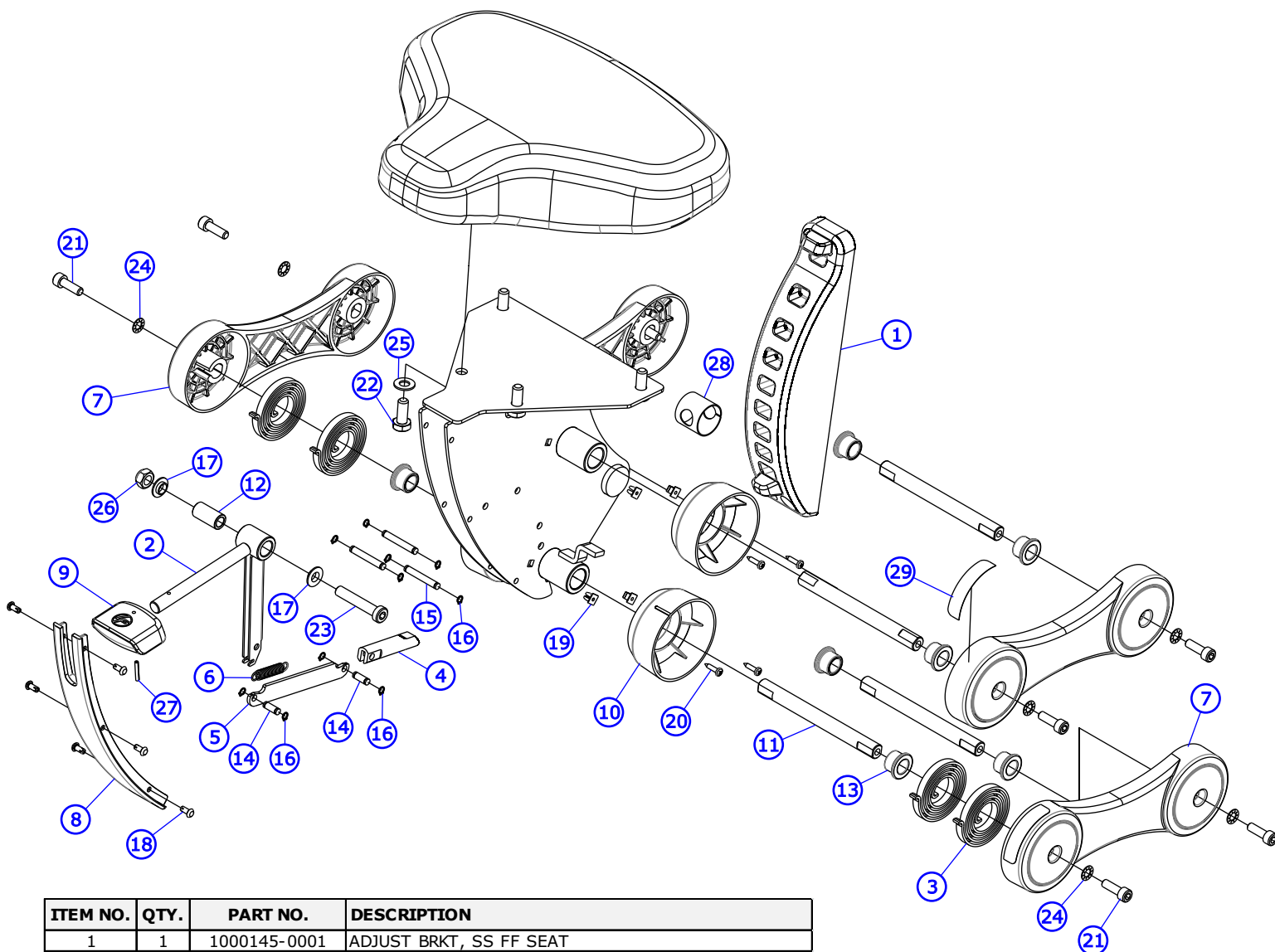
**See page 8 for table**

# Insignia Series Pectoral Fly Table

ITEM NO.	QTY.	PART NO.	DESCRIPTION	TRIM	
1	2	8165201	BRKT, FZPEC, CAM ADJ.	S	L
2	1	9465699	LABEL, SS-PEC PLACARD, LH	S	L
3	1	9411201	TRAY, TOWER TOP CAP	S	L
4	2	9454901	PLATE, CABLE END, T2	S	L
5	2	9435401	CAM, SS-PEC	S	L
6	2	7435301	COLLAR, SHAFT 1.020 ID	S	L
7	1	7333902	CAP, LARGE FLOV- END	S	L
8	6	9319901	PULLEY, 3/16 IN CABLE (T2), 4.5 IN OD	S	L
9	2	7630002	COVER, PULLEY BOLTED PARTIAL	S	L
10	2	8094102	COVER, PULLEY-BOLTED PARTIAL -CHGR	S	L
11	4	6757701	CLIP, CABLE 2-7/8 X 1 X 1	S	L
12	4	3104903	1.00" ID 1.25" OD BRONZ BUSHING	S	L
13	8	3235601	BEARING, 6205 BALL	S	L
14	2	7316509	SHAFT, 25MM X 13.740	S	L
15	2	3238503	CAP, 1/2 X 5/8	S	L
16	2	7333802	CAP, SMALL FLOV- END	S	L
17	2	7690103	BUMPER, SLEEVE - 1 INCH DIA	S	L
18	6	3237407	PLUG, 1" HOLE	S	L
19	2	3235807	GRIP, OPEN END	S	L
20	2	7662802	RING, GRIP 1.50 OD	S	L
21	2	7662902	CAP, GRIP 1.50 OD	S	L
22	1	9319301	FOOT, 2.50 X 4.49 FLOV	S	L
23	1	9461401	COVER, FOOT - 20 deg	S	L
24	2	7351501	SPRING, PULL PIN LARGE	S	L
25	2	7425102	PIN, PULL X 6.75	S	L
26	2	9454703	KNOB, ADJ	S	L
27	4	7330001	SPACER, INTERNAL X .403	S	L
28	2	7330002	SPACER, INTERNAL X .653	S	L
29	4	7330006	SPACER, INTERNAL X 1.765	S	L
30	1	-	LABEL, SERIAL NUMBER, BLANK	S	L
31	1	9436701	CAP, TOWER, TOP, PLASTIC	S	-
32	1	8171402	LABEL, FZPEC, 1-5 CURVED LH	S	L
33	1	8171302	LABEL, FZPEC 1-5 CURVED RT	S	L
34	1	1000017-0001	PAD, HEAD REST BLK, SNGL STITCH	S	L
		1000017-0099	PAD, HEAD REST CUS, SNGL STITCH		
		1000017-0101	PAD, HEAD REST BLK, DBL STITCH		
		1000017-0199	PAD, HEAD REST CUS, DBL STITCH		
35	1	9477201	LABEL, SS-PEC PLACARD, RH	S	L
36	8	3236202	SCREW, M10 X1.5 25MM	S	L
37	1	3236214	SCREW, M10 X1.5 85MM	S	L
38	5	3251204	SCREW, M10 X1.5 X 35MM UNS HEX CS ST ZN	S	L
39	2	3236204	SCREW, M10 X1.5 35MM	S	L
40	2	3251202	SCREW, M10 X1.5 X 25MM UNS HEX CS ST ZN	S	L
41	10	3275506	SCREW, M10 X 1.5 X 45 SHCS, LOW HEAD -NO PATCH	S	L
42	2	3236208	SCREW, M10 X1.5 55MM	S	L
43	4	3275507	SCREW, M10 X 1.5 X 50 SHCS, LOW HEAD -NO PATCH	S	L
44	14	3236801	NUT, M10 HEX NYLOCK SS	S	L
45	1	3236902	NUT, HEX JAM M16 X 2 SS	S	L
46	2	3238601	M10X1.5 BLIND THREADED INSERT (HEX)	S	L
47	2	3254703	NUT, M10 X 1.5 HEX ZINC	S	L
48	2	7335401	NUT, M10 X 1.5 SOCKET HEAD	S	L
49	4	3275401	M10X1.5 BLIND THREADED INSERT (HEX) -HVY	S	L
50	4	3239503	WSH, .375 IN-D ST ZN	S	L
51	36	3236601	WASHER, 3/8 SAE SS	S	L
52	1	9488901	LABEL, INSIGNIA, FCC	S	L
53	2	7630101	RETAINER, CM/MJ, PULLEY	S	L
54	1	1000018-0001	PAD, LARGE BACK BLK, SNGL STITCH	S	L
		1000018-0099	PAD, LARGE BACK CUS, SNGL STITCH		
		1000018-0101	PAD, LARGE BACK BLK, DBL STITCH		
		1000018-0199	PAD, LARGE BACK CUS, DBL STITCH		
55	1	8220099	LABEL, ASTM, SELECT VERT	S	L
56	1	1000016-0001	PAD, SEAT SADDLE BLK, SNGL STITCH	S	L
		1000016-0099	PAD, SEAT SADDLE CUS, SNGL STITCH		
		1000016-0101	PAD, SEAT SADDLE BLK, DBL STITCH		
		1000016-0199	PAD, SEAT SADDLE CUS, DBL STITCH		

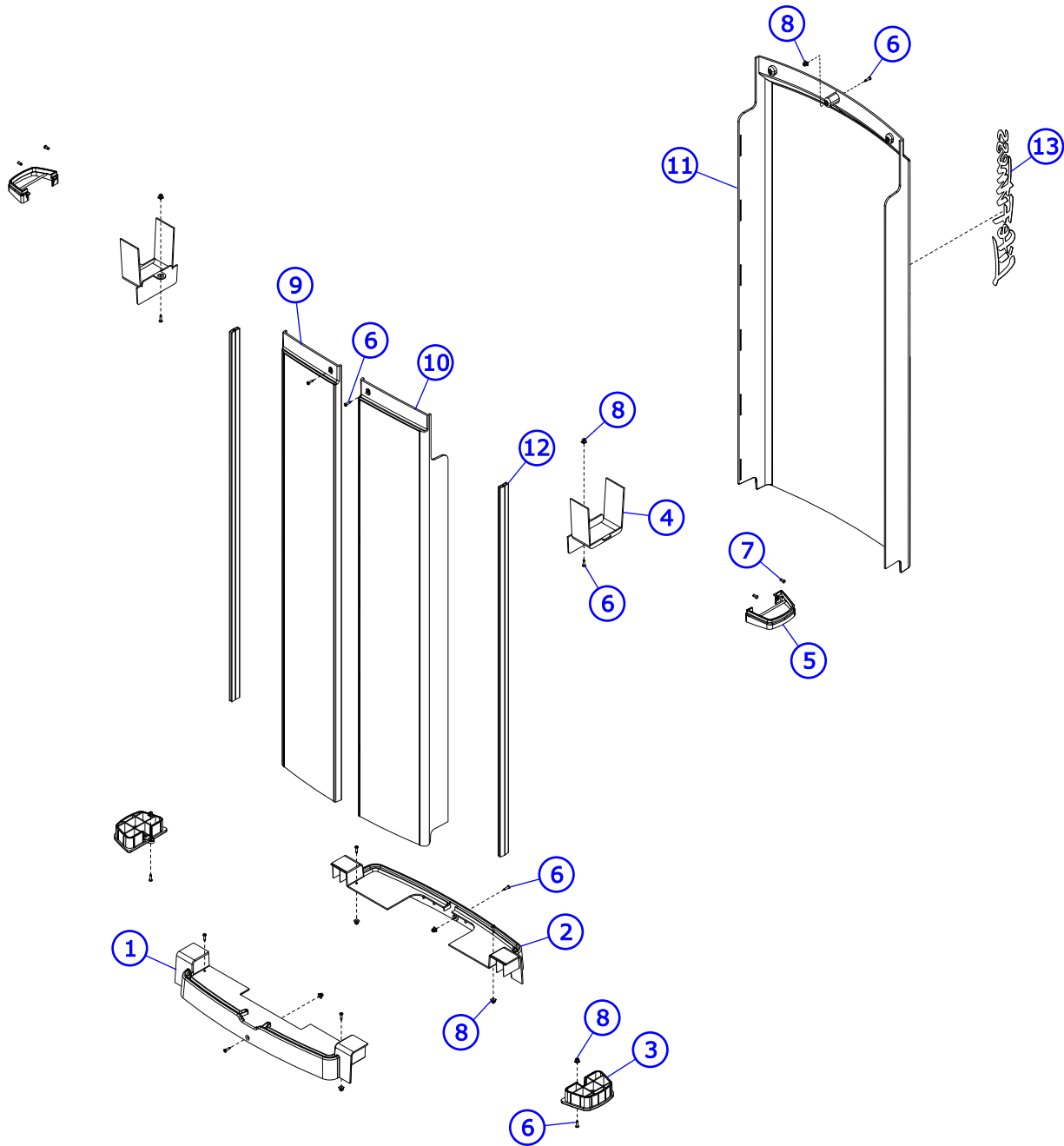


# Insignia Series Pectoral Fly Seat Assembly



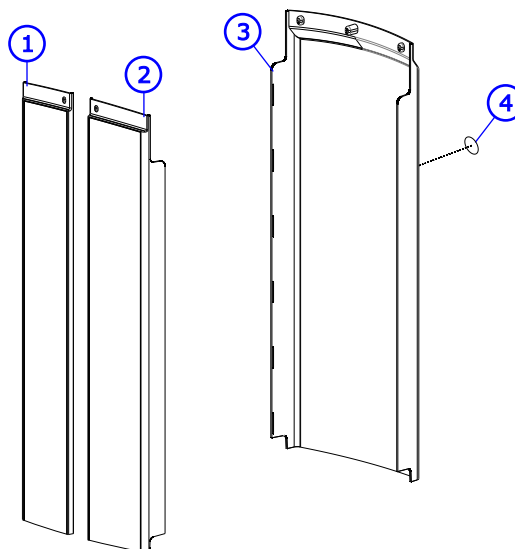
ITEM NO.	QTY.	PART NO.	DESCRIPTION
1	1	1000145-0001	ADJUST BRKT, SS FF SEAT
2	1	9401428	WLDMT, SS-FRONT SEAT HANDLE CHR
3	4	9365401	SPRING, SPIRAL TORSION
4	1	9401101	PULLPIN, SS-SEAT
5	1	9401001	PLATE, SS-SEAT HANDLE CONNECT
6	1	3239201	SPRING, EXT, .375 X .049 X 2.00
7	4	9365228	SEAT LINK, CAST, CHR
8	1	9402201	GUARD, SS-SEAT
9	1	9402503	HANDLE, SS-SEAT
10	4	9402801	RING, SS-SEAT
11	4	9448401	SHAFT, SS-SEAT, 15MM
12	1	7776501	SHAFT, .625 X .406 X 1.200
13	8	3275004	BEARING, FLANGE, METRIC 15MM
14	2	7407501	PIN, LINK
15	3	7407502	PIN, LINK
16	10	3232401	RING, RETAINING, EXTERNAL
17	2	7776401	SPACER, FLANGE .406 X .495 X .81
18	6	0017-00101-1587	RVT 201X0413X.354 T NY NO
19	8	0017-00042-1147	GROMMET: SCREW; 8 OR 10
20	8	3275801	SCREW, 8 X 3/4 DIN PHL PAN AB ST ZB
21	8	3276202	SCREW, M8 X1.25 X 25MM
22	4	3251202	SCREW, M10 X1.5 X 25MM UNS HEX CS ST ZN
23	1	3275508	SCREW, M10 X 1.5 X 55 SHCS, LOW HEAD -NO PATCH
24	8	3239502	WSH, .312 IN-D ST ZN
25	4	3236601	WASHER, 3/8 SAE SS
26	1	3236801	NUT, M10 HEX NYLOCK SS
27	1	3110010	ROLL PIN, 1/8 X 7/8
28	1	9485701	PAINT GUARD, PIN HOUSING
29	1	9480601	LABEL; SEAT POSITION, LARGE

# Insignia Series Pectoral Fly Tower Plastics



ITEM NO.	QTY.	PART NO.	DESCRIPTION
1	1	9410801	COVER, TOWER BOTTOM -FRONT
2	1	9411001	COVER, TOWER BOTTOM -REAR
3	2	9412701	ASSY, TRAP TUBE, CAP, BOTTOM
4	2	9415701	COVER, UPPER CROSS MEMBER
5	2	9415801	GASKET, TRAP TUBE
6	13	3275801	SCREW, 8 X 3/4 DIN PHL PAN AB ST ZB
7	4	0017-00101-1587	RVT 201X0413X.354 T NY NO
8	11	0017-00042-1147	GROMMET: SCREW; 8 OR 10
9	1	9410601	SHROUD, TOWER FRONT, LT - SHORT
10	1	9410701	SHROUD, TOWER FRONT, RT - SHORT
11	1	9411101	SHROUD, TOWER REAR - SHORT
12	2	9414601	SHROUD EXTRUSION - SHORT
13	1	9489101	LABEL, LIFE FITNESS

# Insignia Series Pectoral Fly Shroud Wraps



BAMBOO	DATE MADE	SERIAL #	ITEM	QTY.	PART NO.	DESCRIPTION
	1/1/2015 - 3/31/2016	PRIOR TO SS-XX0416001	1	1	9511802	SHROUD, SS, FNT, LT, SRT-BAM
			2	1	9511702	SHROUD, SS, FNT, RT, SRT-BAM
			3	1	9511902	SHROUD, SS, REAR, SRT-BAM
	4/01/2016 - PRESENT	ON OR AFTER SS-XX0416001	1	1	1003204-0002	SHROUD, SS, FNT, LT, SRT, ABS-BAM
			2	1	1003203-0002	SHROUD, SS, FNT, RT, SRT, ABS-BAM
			3	1	1003205-0002	SHROUD, SS, REAR, SRT, ABS-BAM

SKY	DATE MADE	SERIAL #	ITEM	QTY.	PART NO.	DESCRIPTION
	1/1/2015 - 3/31/2016	PRIOR TO SS-XX0416001	1	1	9511803	SHROUD, SS, FNT, LT, SRT-SKY
			2	1	9511703	SHROUD, SS, FNT, RT, SRT-SKY
			3	1	9511903	SHROUD, SS, REAR, SRT-SKY
	4/01/2016 - PRESENT	ON OR AFTER SS-XX0416001	1	1	1003204-0003	SHROUD, SS, FNT, LT, SRT, ABS-SKY
			2	1	1003203-0003	SHROUD, SS, FNT, RT, SRT, ABS-SKY
			3	1	1003205-0003	SHROUD, SS, REAR, SRT, ABS-SKY

BRONZE	DATE MADE	SERIAL #	ITEM	QTY.	PART NO.	DESCRIPTION
	1/1/2015 - 3/31/2016	PRIOR TO SS-XX0416001	1	1	9511804	SHROUD, SS, FNT, LT, SRT-BRZ
			2	1	9511704	SHROUD, SS, FNT, RT, SRT-BRZ
			3	1	9511904	SHROUD, SS, REAR, SRT-BRZ
	4/01/2016 - PRESENT	ON OR AFTER SS-XX0416001	1	1	1003204-0004	SHROUD, SS, FNT, LT, SRT, ABS-BRZ
			2	1	1003203-0004	SHROUD, SS, FNT, RT, SRT, ABS-BRZ
			3	1	1003205-0004	SHROUD, SS, REAR, SRT, ABS-BRZ

STEM	DATE MADE	SERIAL #	ITEM	QTY.	PART NO.	DESCRIPTION
	1/1/2015 - 3/31/2016	PRIOR TO SS-XX0416001	1	1	9511805	SHROUD, SS, FNT, LT, SRT-STM
			2	1	9511705	SHROUD, SS, FNT, RT, SRT-STM
			3	1	9511905	SHROUD, SS, REAR, SRT-STM
	4/01/2016 - PRESENT	ON OR AFTER SS-XX0416001	1	1	1003204-0005	SHROUD, SS, FNT, LT, SRT, ABS-STM
			2	1	1003203-0005	SHROUD, SS, FNT, RT, SRT, ABS-STM
			3	1	1003205-0005	SHROUD, SS, REAR, SRT, ABS-STM

ROSEWOOD	DATE MADE	SERIAL #	ITEM	QTY.	PART NO.	DESCRIPTION
	1/1/2015 - 3/31/2016	PRIOR TO SS-XX0416001	1	1	9511806	SHROUD, SS, FNT, LT, SRT-RSW
			2	1	9511706	SHROUD, SS, FNT, RT, SRT-RSW
			3	1	9511906	SHROUD, SS, REAR, SRT-RSW
	4/01/2016 - PRESENT	ON OR AFTER SS-XX0416001	1	1	1003204-0006	SHROUD, SS, FNT, LT, SRT, ABS-RSW
			2	1	1003203-0006	SHROUD, SS, FNT, RT, SRT, ABS-RSW
			3	1	1003205-0006	SHROUD, SS, REAR, SRT, ABS-RSW

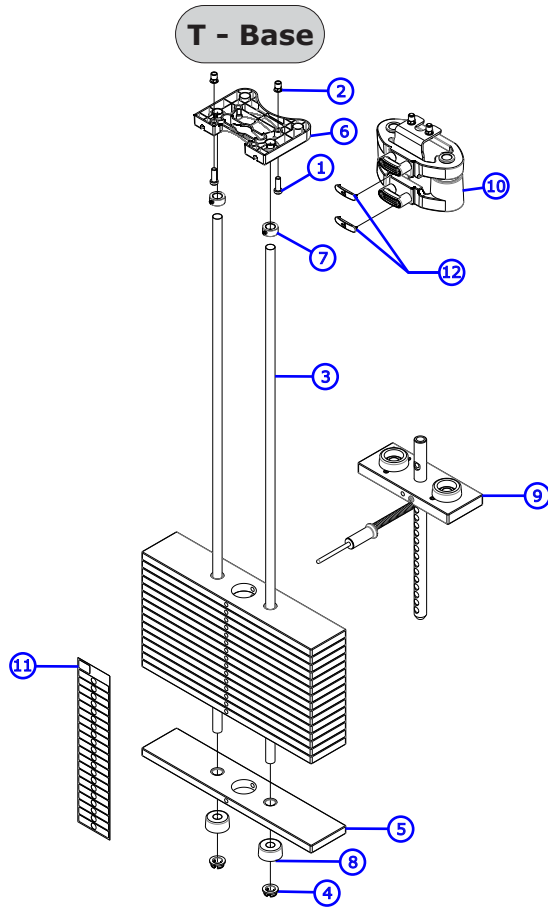
STAINLESS STEEL	DATE MADE	SERIAL #	ITEM	QTY.	PART NO.	DESCRIPTION
	1/1/2015 - 3/31/2016	PRIOR TO SS-XX0416001	1	1	9511807	SHROUD, SS, FNT, LT, SRT-SS
			2	1	9511707	SHROUD, SS, FNT, RT, SRT-SS
			3	1	9511907	SHROUD, SS, REAR, SRT-SS
	4/01/2016 - PRESENT	ON OR AFTER SS-XX0416001	1	1	1003204-0007	SHROUD, SS, FNT, LT, SRT, ABS-SS
			2	1	1003203-0007	SHROUD, SS, FNT, RT, SRT, ABS-SS
			3	1	1003205-0007	SHROUD, SS, REAR, SRT, ABS-SS

PREMIUM STAINLESS STEEL	DATE MADE	SERIAL #	ITEM	QTY.	PART NO.	DESCRIPTION
	4/01/2016 - PRESENT	ON OR AFTER SS-XX0416001	1	1	1003204-0008	SHROUD, SS, FNT, LT, SRT, ABS-PSS
			2	1	1003203-0008	SHROUD, SS, FNT, RT, SRT, ABS-PSS
			3	1	1003205-0008	SHROUD, SS, REAR, SRT, ABS-PSS

PREMIUM BLACK CARBON FIBER	DATE MADE	SERIAL #	ITEM	QTY.	PART NO.	DESCRIPTION
	4/01/2016 - PRESENT	ON OR AFTER SS-XX0416001	1	1	1003204-0009	SHROUD, SS, FNT, LT, SRT, ABS-PBCF
			2	1	1003203-0009	SHROUD, SS, FNT, RT, SRT, ABS-PBCF
			3	1	1003205-0009	SHROUD, SS, REAR, SRT, ABS-PBCF

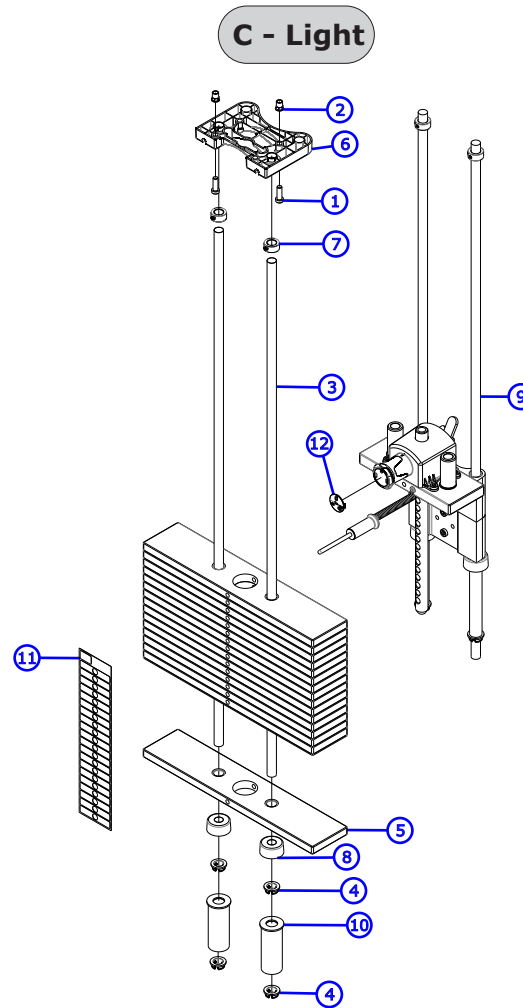
4	1	AK58-00245-2401	MEDALLION-ASSY-LF-BUG B
---	---	-----------------	-------------------------

# Insignia Series Pectoral Fly Weight Stack Assemblies



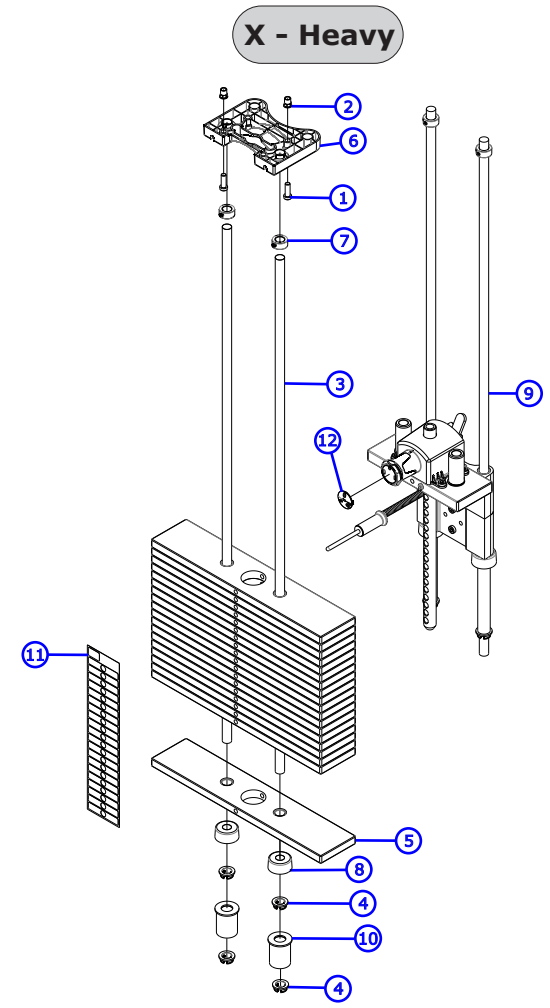
Uses 9424809 Cable (235.5")

ITEM NO.	QTY.	PART NO.	DESCRIPTION
1	2	3236203	SCREW, M10 X1.5 30MM
2	2	3238601	M10X1.5 BLIND THREADED INSERT (HEX)
3	2	7328612	GUIDE ROD, .75 OD SOLID 50.36
4	2	7337901	BUSHING, GUIDE ROD
5	16	9407601	WGT PL, 3/4IN X 4IN, 15 LB
6	1	9412801	RETAINER, GUIDE ROD - TOP
7	2	3103301	SHAFT COLLAR, 3/4 IN ID
8	2	7352101	CUSHION, WEIGHT STACK
9	1	SEE PAGE 14	HEAD PLATE ASSY
10	1	SEE PAGE 14	INCREMENTAL WEIGHTS
11	1	9475301	LABEL, 3/4 IN WGT STACK, 295 LB
		9475201	LABEL, 3/4 IN WGT STACK, 147.5 KG
12	2	9462303	CAP, DD INC WGT, YEL -LBS
		9462403	CAP, DD INC WGT, YEL -KG



Uses 9424804 Cable (224")

ITEM NO.	QTY.	PART NO.	DESCRIPTION
1	2	3236203	SCREW, M10 X1.5 30MM
2	2	3238601	M10X1.5 BLIND THREADED INSERT (HEX)
3	2	7328612	GUIDE ROD, .75 OD SOLID 50.36
4	4	7337901	BUSHING, GUIDE ROD
5	16	9407601	WGT PL, 3/4IN X 4IN, 15 LB
6	1	9412801	RETAINER, GUIDE ROD - TOP
7	2	3103301	SHAFT COLLAR, 3/4 IN ID
8	2	7352101	CUSHION, WEIGHT STACK
9	1	SEE PAGE 15	HEAD PLATE/RODSASSY
10	2	9495915	WLDMT, WGT STK SPACER X 5.25 -CHR
11	1	9475301	LABEL, 3/4 IN WGT STACK, 295 LB
		9475201	LABEL, 3/4 IN WGT STACK, 147.5 KG
12	1	9431403	CAP, SELECTOR KNOB -LBS
		9450103	CAP, SELECTOR KNOB -KGS



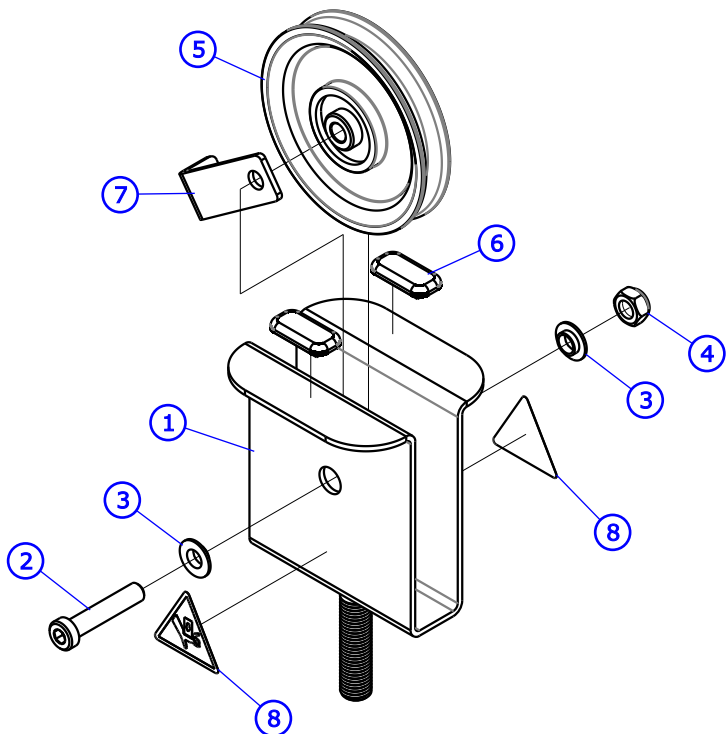
Uses 9424804 Cable (224")

ITEM NO.	QTY.	PART NO.	DESCRIPTION
1	2	3236203	SCREW, M10 X1.5 30MM
2	2	3238601	M10X1.5 BLIND THREADED INSERT (HEX)
3	2	7328612	GUIDE ROD, .75 OD SOLID 50.36
4	4	7337901	BUSHING, GUIDE ROD
5	19	9407601	WGT PL, 3/4IN X 4IN, 15 LB
6	1	9412801	RETAINER, GUIDE ROD - TOP
7	2	3103301	SHAFT COLLAR, 3/4 IN ID
8	2	7352101	CUSHION, WEIGHT STACK
9	1	SEE PAGE 15	HEAD PLATE/RODSASSY
10	2	9495913	WLDMT, WGT STK SPACER X 3.00 -CHR
11	1	9475301	LABEL, 3/4 IN WGT STACK, 295 LB
		9475201	LABEL, 3/4 IN WGT STACK, 147.5 KG
12	1	9431403	CAP, SELECTOR KNOB -LBS
		9450103	CAP, SELECTOR KNOB -KGS

# Insignia Series Pectoral Fly

## Stack Pulleys

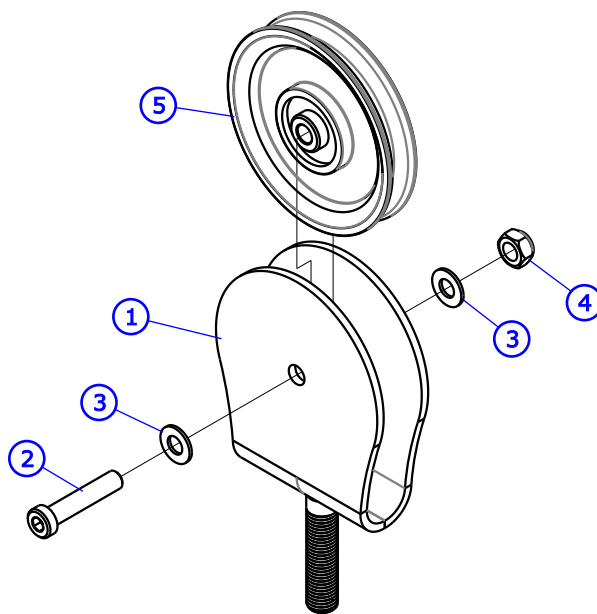
### T Trim



ITEM NO.	QTY.	PART NO.	DESCRIPTION
1	1	7425728	WLDMT, FLOATING PULLEY
2	1	3275507	SCREW, M10 X 1.5 X 50 SHCS, LOW HEAD -NO PATCH
3	2	7776401	SPACER, FLANGE .406 X .495 X .81
4	1	3236801	NUT, M10 HEX NYLOCK SS
5	1	9319901	PULLEY, 3/16 IN CABLE (T2), 4.5 IN OD
6	2	7570802	GUARD, PAINT 1.25"x.75"x.25"
7	1	6757701	CLIP, CABLE 2-7/8 X 1 X 1
8	2	8039501	LABEL, WARNING, TRIANGLE

### C Trim

### X Trim

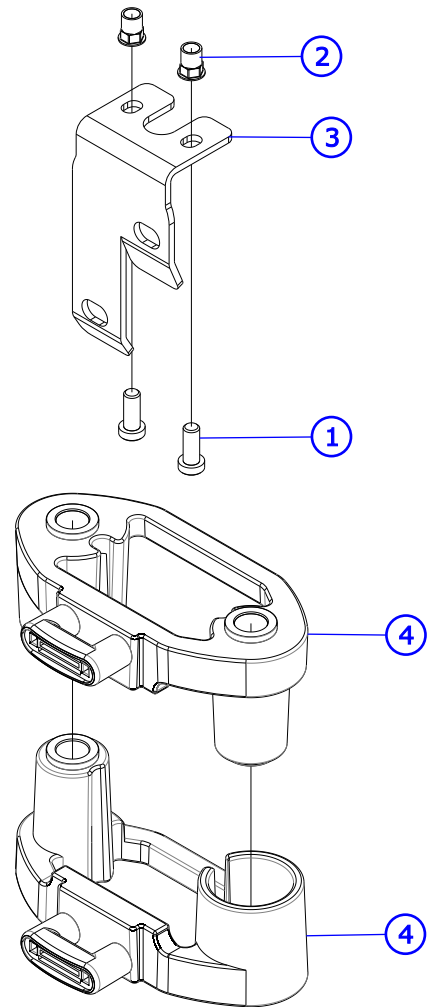
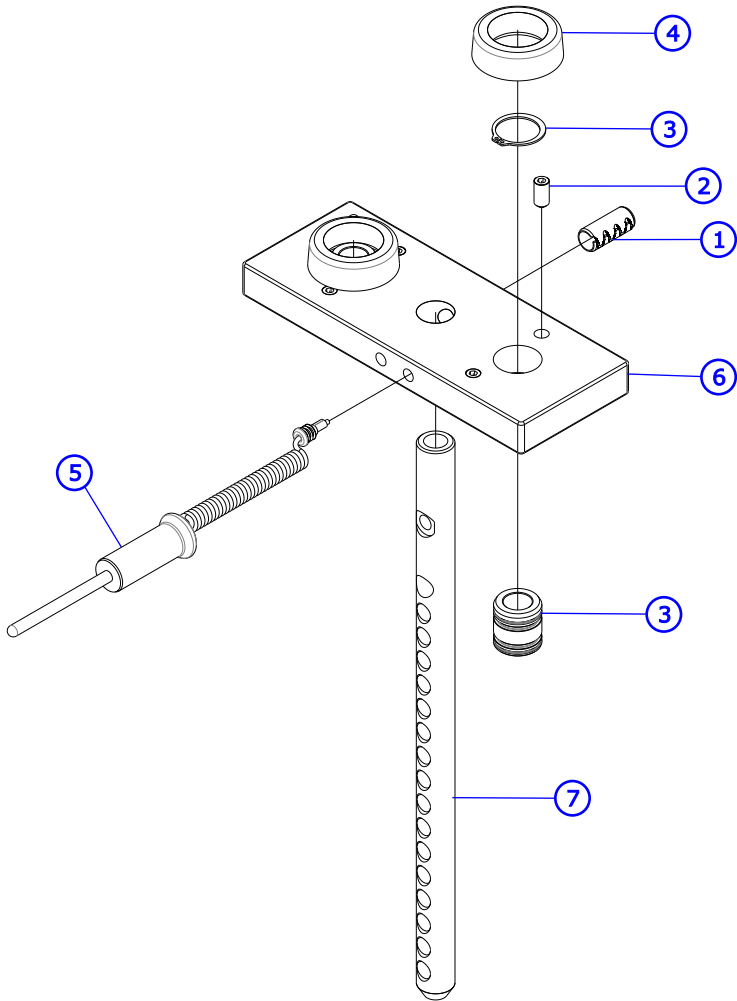


ITEM NO.	QTY.	PART NO.	DESCRIPTION
1	1	7625028	WLDMT, FZ WT STK PULLEY BRKT
2	1	3275507	SCREW, M10 X 1.5 X 50 SHCS, LOW HEAD -NO PATCH
3	2	3236601	WASHER, 3/8 SAE SS
4	1	3236801	NUT, M10 HEX NYLOCK SS
5	1	9319901	PULLEY, 3/16 IN CABLE (T2), 4.5 IN OD

# Insignia Series Pectoral Fly

## T Trim Head Plate and Drop Down Increment Weights

**T Trim**



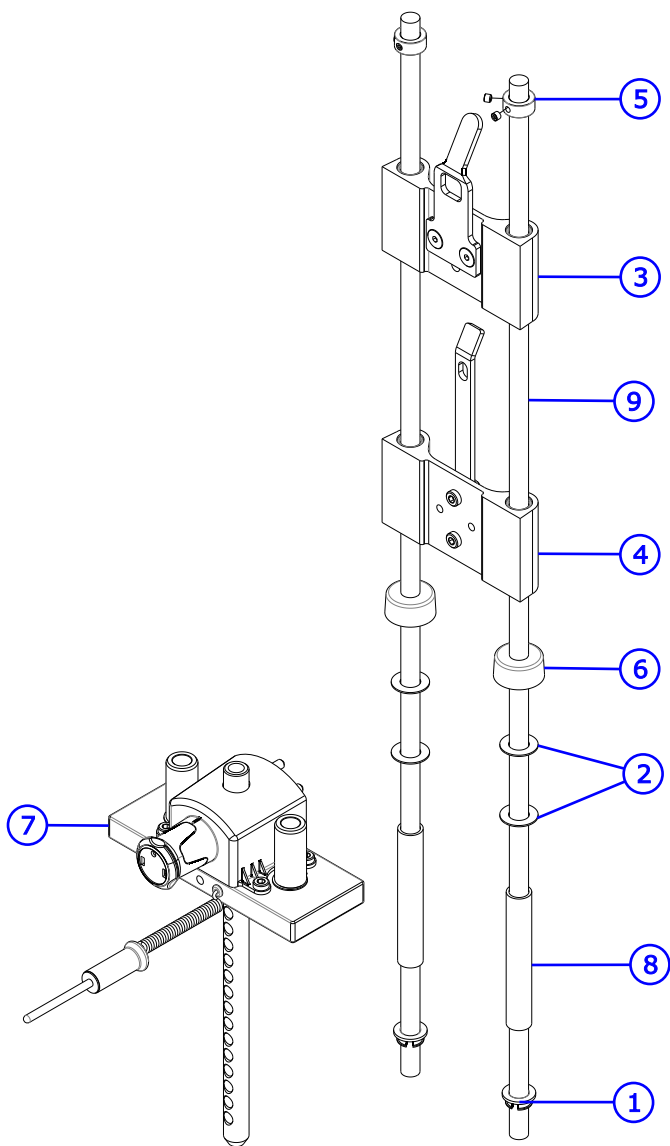
ITEM NO.	QTY.	PART NO.	DESCRIPTION
1	1	3236001	BUSHING, SPRING PIN
2	4	3240501	M10 X 1.5 HXS NO CUP ST BO
3	2	7338001	BUSHING, HEADPLATE
4	2	7767602	BUMPER, INCREMENT WT -BLK
5	1	1003679-0003	ASSY, WGT STK SELECTOR PIN -YELLOW
6	1	9427401	HEADPLATE, WT. STACK, 10LB
7	1	9434202	BAYONET, 16 PLATE

ITEM NO.	QTY.	PART NO.	DESCRIPTION
1	2	3236202	SCREW, M10 X1.5 25MM
2	2	3238601	M10X1.5 BLIND THREADED INSERT (HEX)
3	1	9430801	BRKT, INC WGT STRIKER
4	2	9455403	ASSY, DD INC WGT -YEL

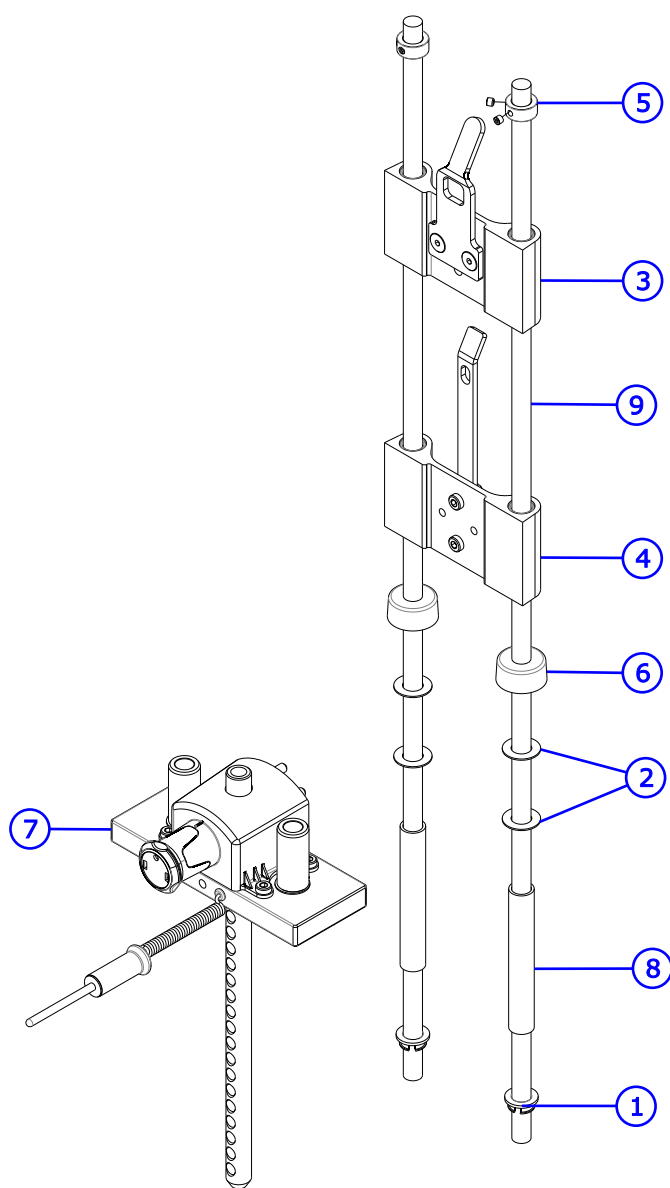
# Insignia Series Pectoral Fly

## C and X Trim Stack Components

### C Trim



### X Trim



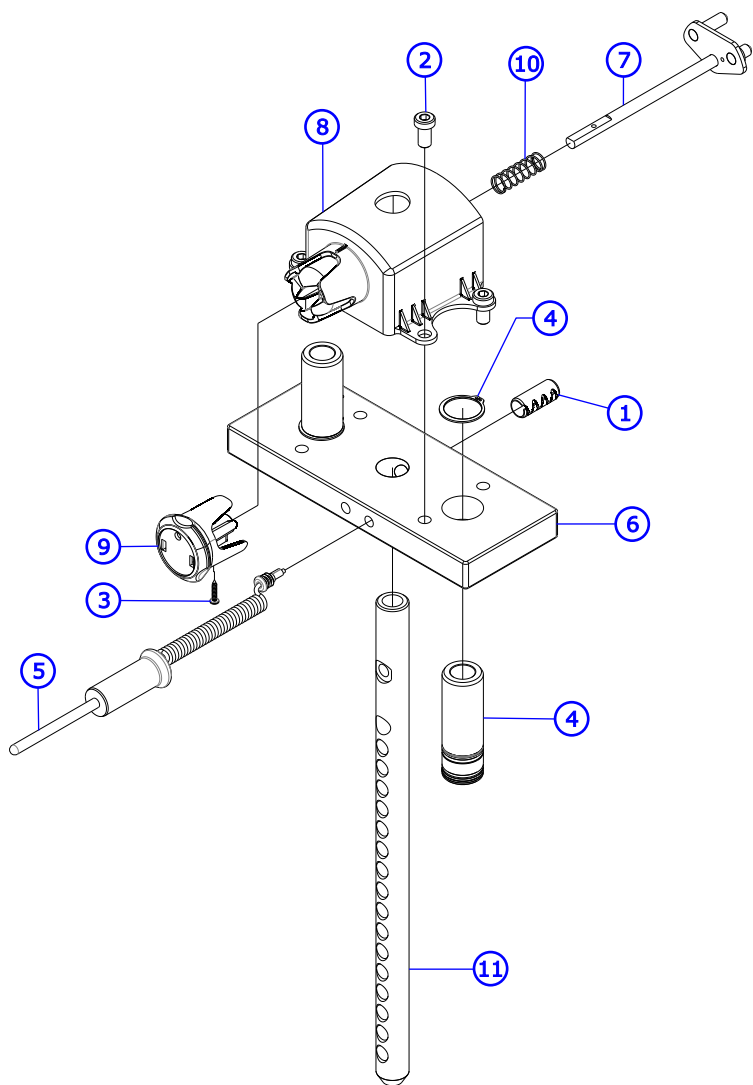
ITEM NO.	QTY.	PART NO.	DESCRIPTION
1	2	7337901	BUSHING, GUIDE ROD
2	4	7351001	SPACER, INC WT STACK
3	1	SEE PAGE 17	ASSY, INC WGT -5LB
4	1	SEE PAGE 17	ASSY, INC WGT -10LB
5	2	3103301	SHAFT COLLAR, 3/4 IN ID
6	2	7352101	CUSHION, WEIGHT STACK
7	1	SEE PAGE 16	ASSY, SS, HEAD PLATE, DIAL, STD -16
8	2	7328707	SPACER, INC WT STACK -9.63
9	2	7328612	GUIDE ROD, .75 OD SOLID X 50.36

ITEM NO.	QTY.	PART NO.	DESCRIPTION
1	2	7337901	BUSHING, GUIDE ROD
2	4	7351001	SPACER, INC WT STACK
3	1	SEE PAGE 17	ASSY, INC WGT -5LB
4	1	SEE PAGE 17	ASSY, INC WGT -10LB
5	2	3103301	SHAFT COLLAR, 3/4 IN ID
6	2	7352101	CUSHION, WEIGHT STACK
7	1	SEE PAGE 16	ASSY, SS, HEAD PLATE, HVY -19
8	2	7328707	SPACER, INC WT STACK -9.63
9	2	7328612	GUIDE ROD, .75 OD SOLID X 50.36

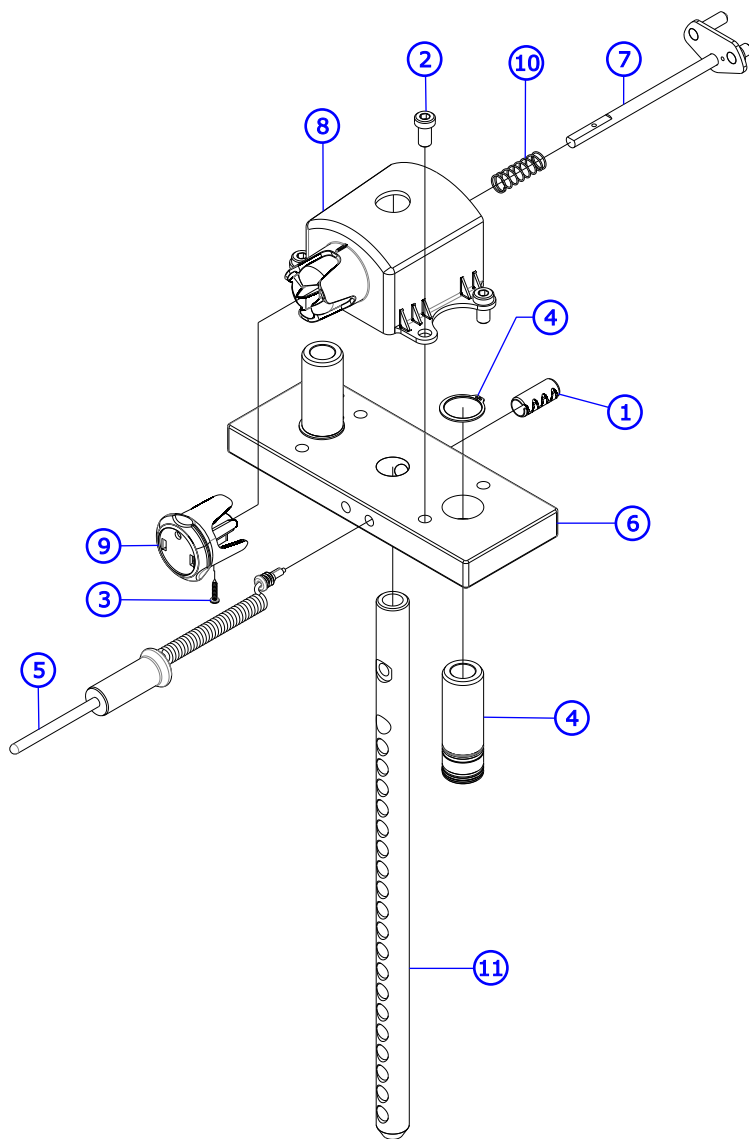
# Insignia Series Pectoral Fly

## C and X Trim Head Plate Assemblies

**C Trim**



**X Trim**



ITEM NO.	QTY.	PART NO.	DESCRIPTION
1	1	3236001	BUSHING, SPRING PIN
2	4	3236201	SCREW, M10 X1.5 20MM
3	1	3275601	SCREW, 6 X 3/4 DIN PHL PAN AB ST ZB
4	2	9296001	BUSHING, HEADPLATE, LONG
5	1	1003679-0003	ASSY, WGT STK SELECTOR PIN -YELLOW
6	1	9427401	HEADPLATE, WT. STACK, 10LB
7	1	9427501	WLDMT, INC WGT PIN
8	1	9430501	HSNG, INC WEIGHT
9	1	9443201	KNOB, INC WEIGHT
10	1	9443301	SPRING, INC WGT PIN
11	1	9434202	BAYONET, 16 PLATE

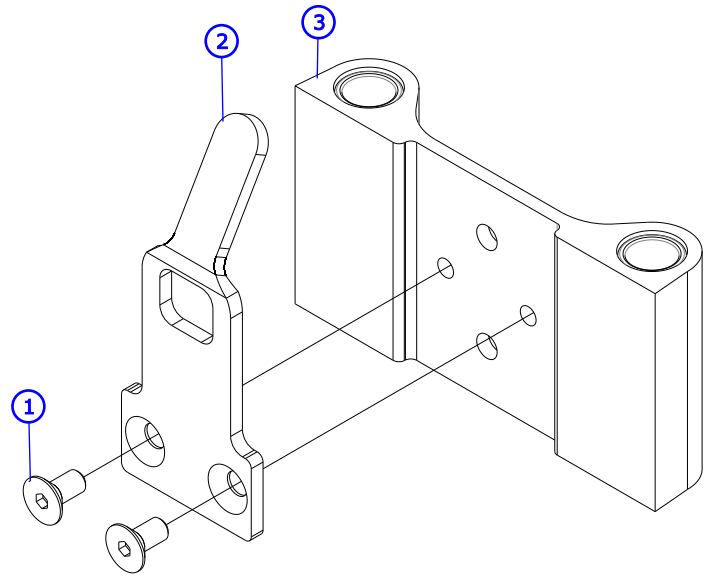
ITEM NO.	QTY.	PART NO.	DESCRIPTION
1	1	3236001	BUSHING, SPRING PIN
2	4	3236201	SCREW, M10 X1.5 20MM
3	1	3275601	SCREW, 6 X 3/4 DIN PHL PAN AB ST ZB
4	2	9296001	BUSHING, HEADPLATE, LONG
5	1	1003679-0003	ASSY, WGT STK SELECTOR PIN -YELLOW
6	1	9427401	HEADPLATE, WT. STACK, 10LB
7	1	9427501	WLDMT, INC WGT PIN
8	1	9430501	HSNG, INC WEIGHT
9	1	9443201	KNOB, INC WEIGHT
10	1	9443301	SPRING, INC WGT PIN
11	1	9426002	BAYONET, 19 PLATE



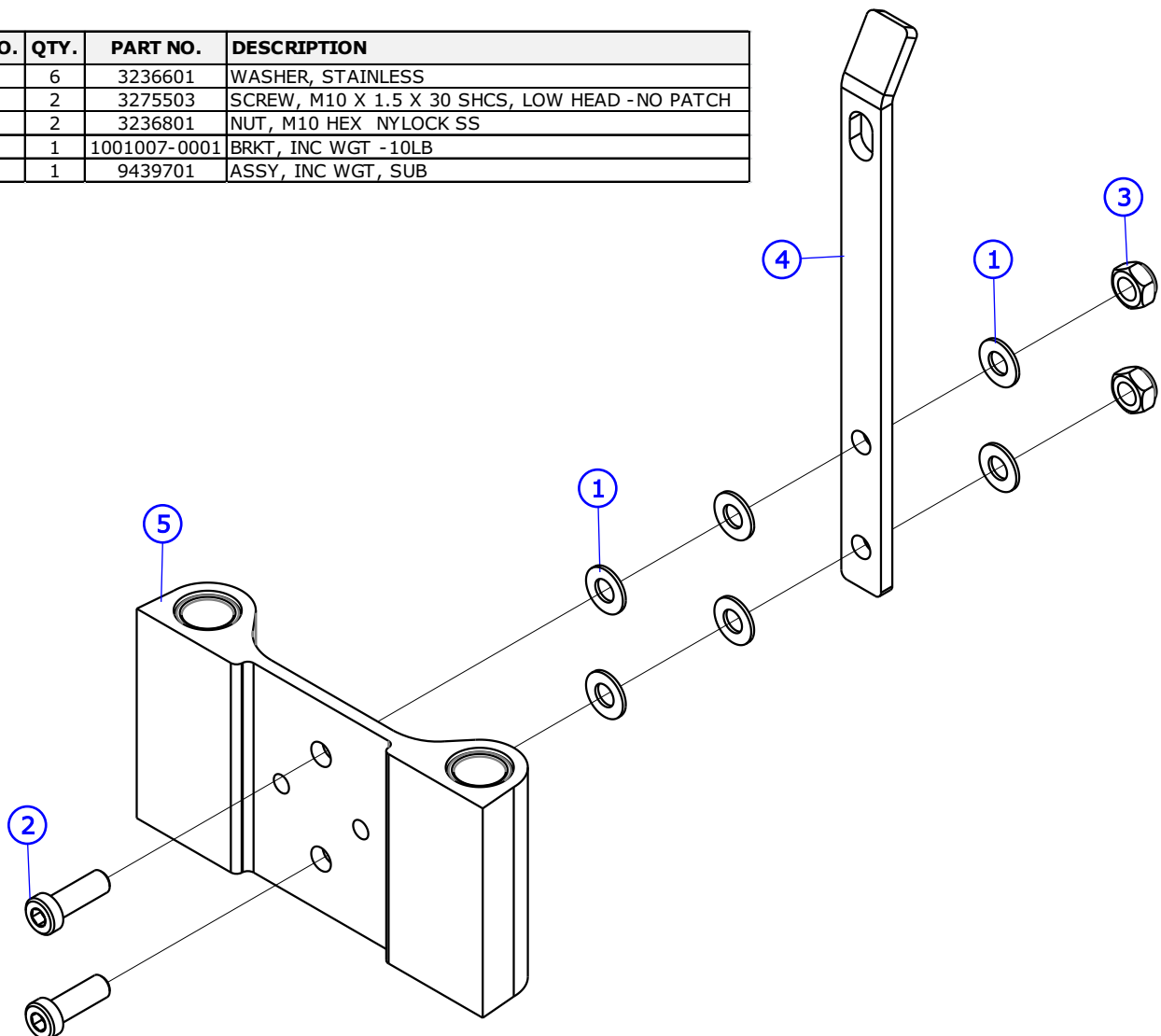
# Insignia Series Pectoral Fly

## C and X Trim Incremental Weights

ITEM NO.	QTY.	PART NO.	DESCRIPTION
1	2	3238301	M10x1.5x20mm
2	1	9428201	BRKT, INC WGT -5 LB
3	1	9439701	ASSY, INC WGT, SUB

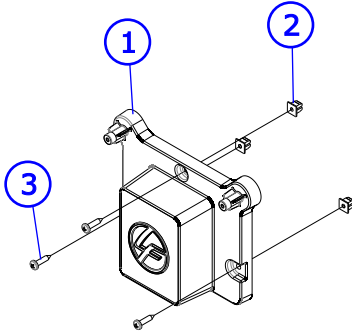


ITEM NO.	QTY.	PART NO.	DESCRIPTION
1	6	3236601	WASHER, STAINLESS
2	2	3275503	SCREW, M10 X 1.5 X 30 SHCS, LOW HEAD -NO PATCH
3	2	3236801	NUT, M10 HEX NYLOCK SS
4	1	1001007-0001	BRKT, INC WGT -10LB
5	1	9439701	ASSY, INC WGT, SUB



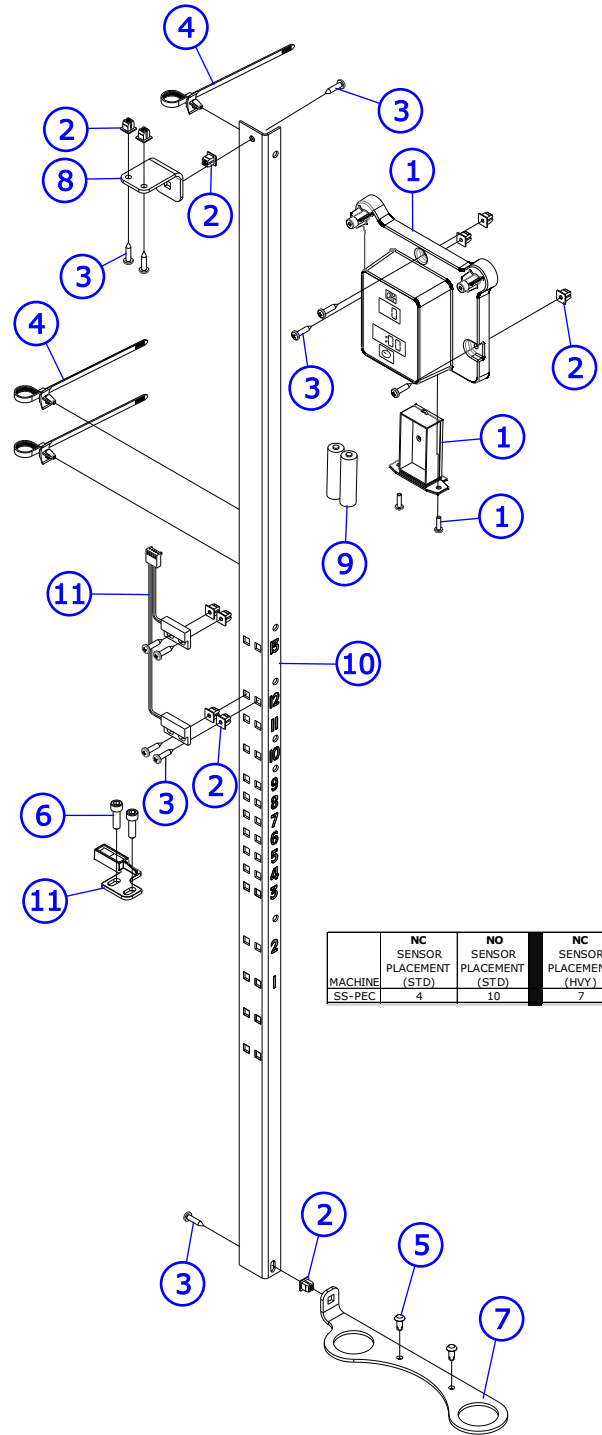
# Insignia Series Pectoral Fly Sensor Assemblies

## S Trim



ITEM NO.	QTY.	PART NO.	DESCRIPTION
1	1	9437401	SS - ASSY, DISPLAY, BASE
2	3	0017-00042-1147	GROMMET: SCREW; 8 OR 10
3	3	3275801	SCREW, 8 X 3/4 DIN PHL PAN AB ST ZB

## L Trim



MACHINE	NC SENSOR PLACEMENT (STD)	NO SENSOR PLACEMENT (STD)	NC SENSOR PLACEMENT (HVY)	NO SENSOR PLACEMENT (HVY)
SS-PEC	4	10	7	12

ITEM NO.	QTY.	PART NO.	DESCRIPTION
1	1	9417701	ASSY, DISPLAY, COUNTER
2	11	0017-00042-1147	GROMMET: SCREW; 8 OR 10
3	11	3275801	SCREW, 8 X 3/4 DIN PHL PAN AB ST ZB
4	3	3276101	GROMMET, CABLE TIE
5	2	0017-00101-1587	RVT 201X0413X.354 T NY NO
6	2	3241701	SCREW, M6 X1 20MM
7	1	9432728	BRKT, SS, SWITCH MNT -CHGR
8	1	9434828	BRKT, SS, SWITCH MNT
9	2	-	BATTERY, AA
10	1	9434628	BRKT, SS, SWITCH MNT, STD -CHR
11	1	1000585-0001	ASSY, SS, PROX SWITCH/MAGNET