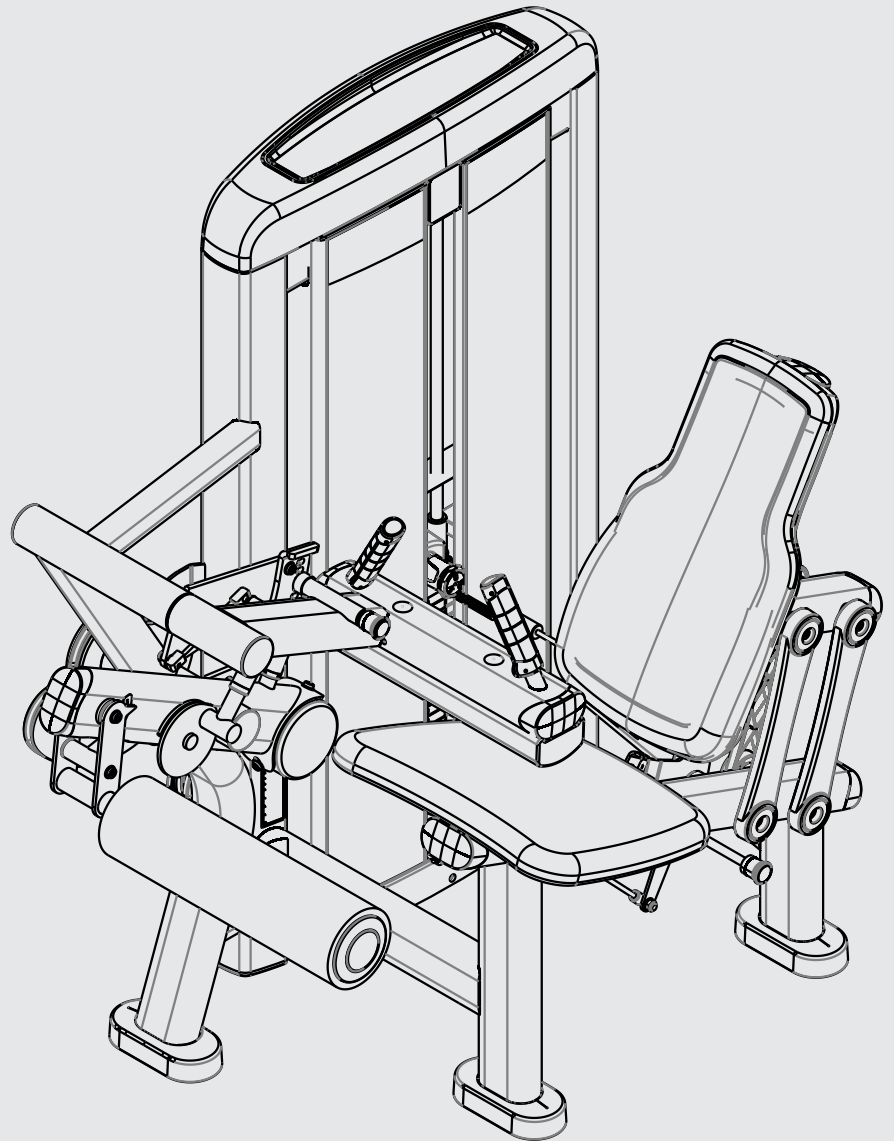


INSIGNIA SERIES
SEATED LEG CURL
SS-SLC
PARTS MANUAL



Insignia Series Seated Leg Curl

Contents

Options and Key	3
Powder Coat Painted Frame Weldments	4
Component Assembly	5
Component Assembly II	6
Component Assembly III	7
Component Assembly IV	8
Labels	9
Table	10
Tower Plastics	11
Shroud Wraps	12
Weight Stack Assemblies	13
T Trim Head Plate and Drop Down Increment Weights	14
C and X Trim Stack Components	15
C and X Trim Head Plate Assemblies	16
C and X Trim Incremental Weights	17
Grip Assemblies	18
Sensor Assemblies	19

Insignia Series Seated Leg Curl

Options and Key

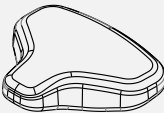
FRAME COLOR OPTION

SELECT POWDERCOAT COLOR

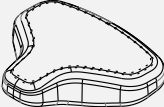
- BLACK
- BLUE
- CANDY APPLE RED
- CHARCOAL
- DIAMOND WHITE
- ELECTRIC BLUE
- ICE BLUE METALLIC
- MIDNIGHT METALLIC
- MOCHA SAND
- NICKEL
- PLATINUM
- RED
- TITANIUM
- WHITE
- YELLOW
- CUSTOM

UPHOLSTERY OPTION

SINGLE STITCH



DOUBLE STITCH



UPHOLSTERY COLOR OPTION

- AMERICAN BEAUTY RED
- AZURE
- BLACK
- BLACK CARBON FIBER
- BURGUNDY
- CANDLY APPLE RED
- CHESTNUT
- CONCORD
- CRANBERRY
- CROCUS
- DARK WALNUT
- DOVE GRAY
- EMERALD
- GRAPHITE
- GROTTO
- GUN METAL
- HUNTER GREEN
- IMPERIAL BLUE
- JADE
- NAVY
- NORTHWOODS GREEN
- PAPRIKA
- PLUM
- PUTTY
- REGIMENTAL BLUE
- ROYAL BLUE
- SLATE
- SPACE BLUE
- SUEDE
- TERRA COTTA
- TURQUOISE
- WHEAT
- CUSTOM

LANGUAGE OPTION

SELECT LANGUAGE

- 01 ENGLISH
- 02 GERMAN
- 03 FRENCH
- 04 SPANISH
- 05 ITALIAN
- 06 DUTCH
- 07 JAPANESE
- 08 PORTUGUESE
- 10 RUSSIAN
- 11 TURKISH
- 12 CHINESE
- 13 ARABIC

WEIGHT STACK OPTION

- T - BASE STACK
- C - LIGHT STACK
- X - HEAVY STACK

POUNDS

KILOGRAMS

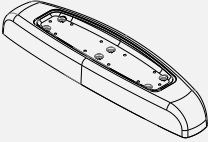

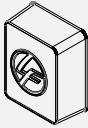
SHROUD WRAP OPTION

- BAMBOO
- BLACK CARBON FIBER
- BRONZE
- FULL SHROUD
- PREMIUM STAINLESS STEEL
- ROSEWOOD
- SKY
- STAINLESS STEEL
- STEM
- CUSTOM

TRIM OPTION

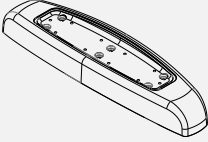

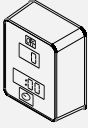
S

PLASTIC TOWER CAP
STANDARD GRIP
NO REP COUNTER

L

PAINTED CAST TOWER CAP
ERGO GRIP
REP COUNTER

KEY

LANGUAGE ① ② ③

Items with Black call-outs require the last two digits (XX) to be replaced with language codes listed above. IE: 12345XX should be 1234501 for English.

UPHOLSTERY ① ② ③

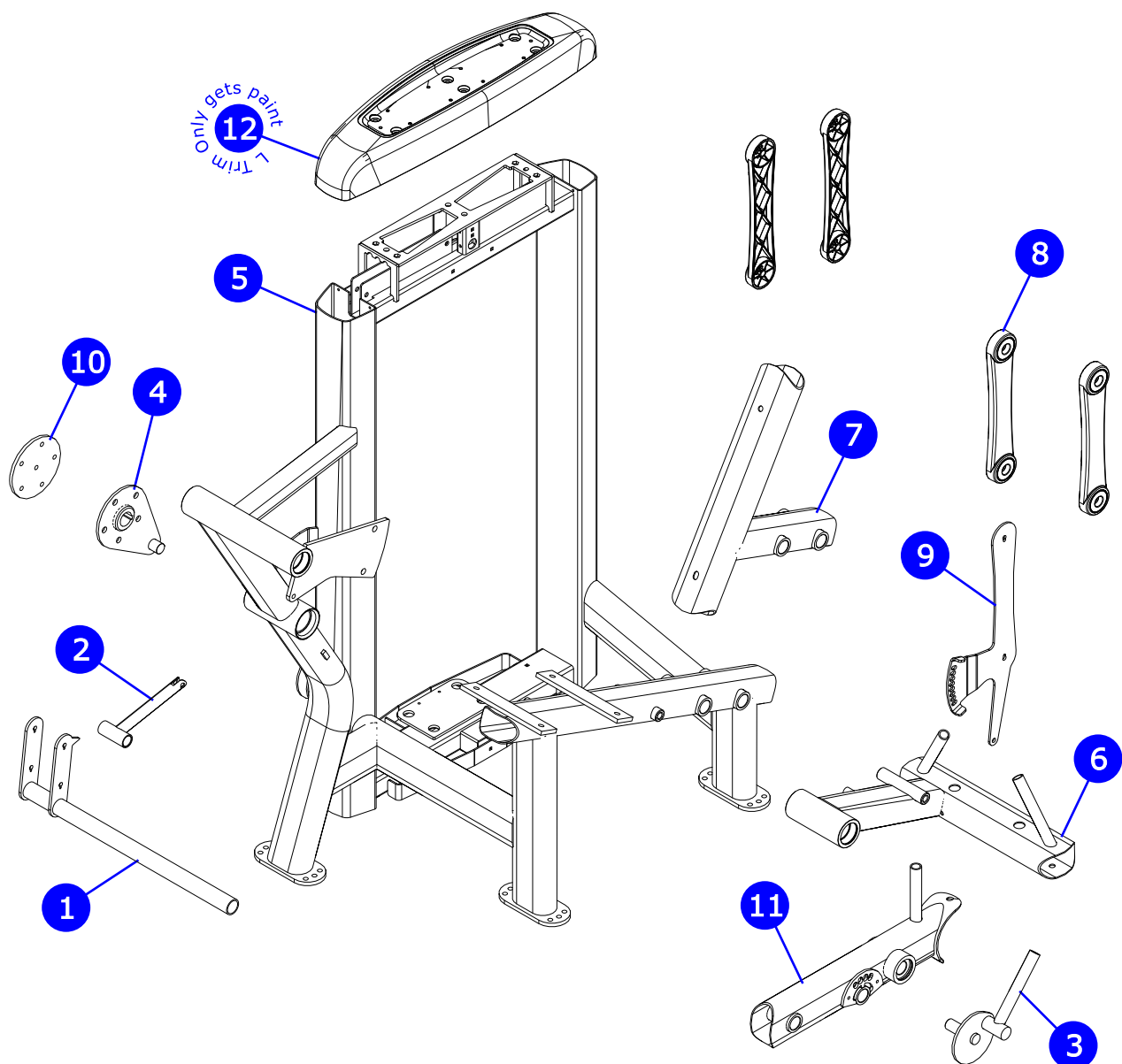
Items with Gray call-outs require the upholstery color within the order notes. IE: Putty.

FRAME COLOR ① ② ③

Items with Blue call-outs require the powder coat frame color to be within the order notes.

Insignia Series Seated Leg Curl

Powder Coat Painted Frame Weldments

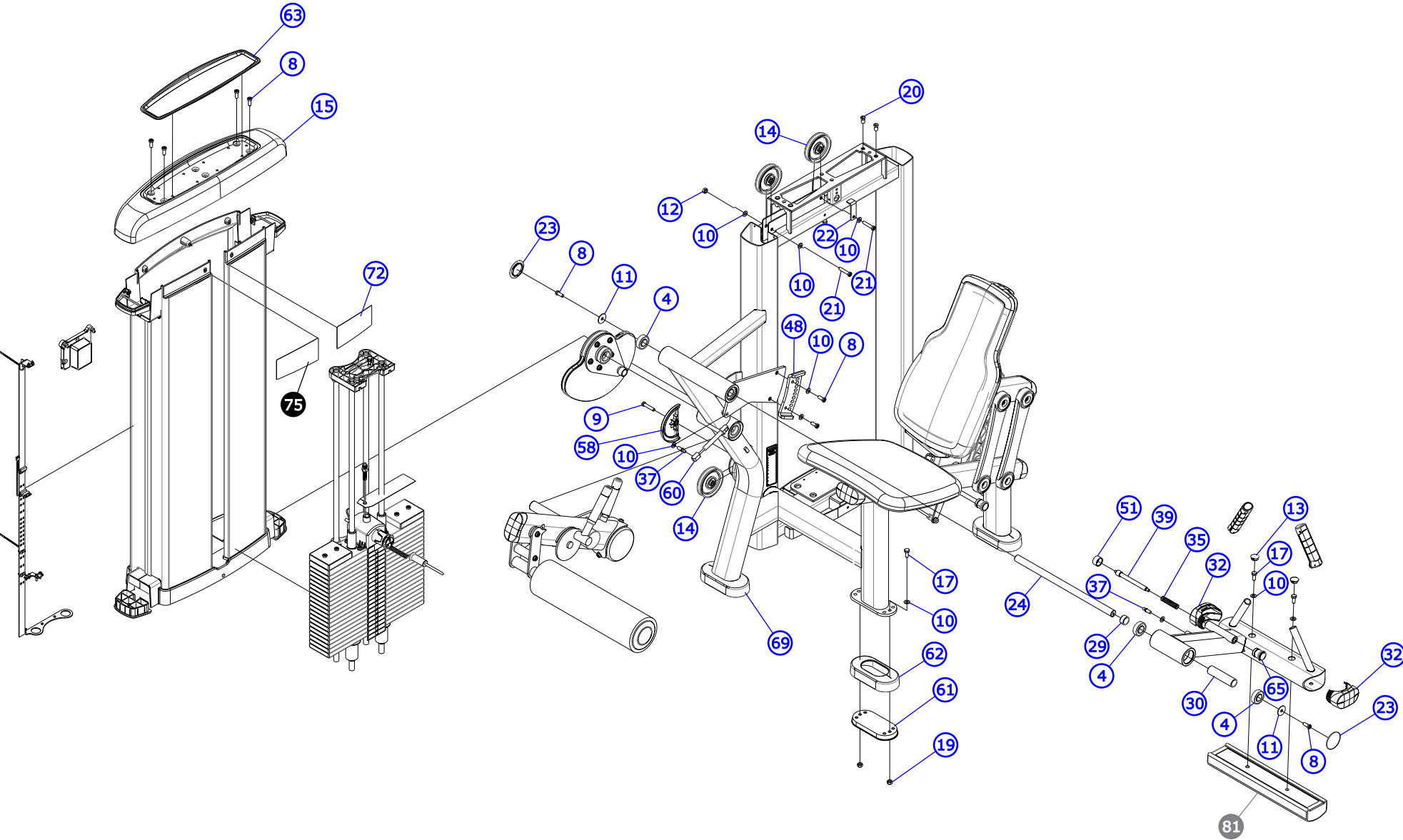


ITEM NO.	QTY.	PART NO.	DESCRIPTION	TRIM	
1	1	7321999	WLDMT, FZLE/SLC, ROLLER PAD SPVRT	S	L
2	1	7324599	WLDMT, FZLE, TIBIA ADJ LINK	S	L
3	1	7482599	WLDMT, FZSLC, TIBIA ADJ HANDLE	S	L
4	1	7483099	WLDMT, FZSLC, CAM SPVRT	S	L
5	1	POSSIBLE RMA	WLDMT, SS-SLC, FRAME	S	L
6	1	9454699	WLDMT, SS-SLC, THIGH SPVRT	S	L
7	1	9458599	WLDMT, SS, BACK PAD SPVRT	S	L
8	4	9439199	LINK, SS, SEAT BACK	S	L
9	1	1001358-0099	PLATE, SS-SLC/LE BACK ADJ	S	L
10	1	7329199	PLATE, CAM COVER	S	L
11	1	1001841-0099	WLDMT, SS-SLC, PIVOT ARM	S	L
12	1	9412699	CAP, SS, CAST	-	L

ITEMS ON THIS PAGE ARE POWDER COAT PAINTED. REFER TO PAGE 3 FOR ORDERING INSTRUCTIONS.

Insignia Series Seated Leg Curl

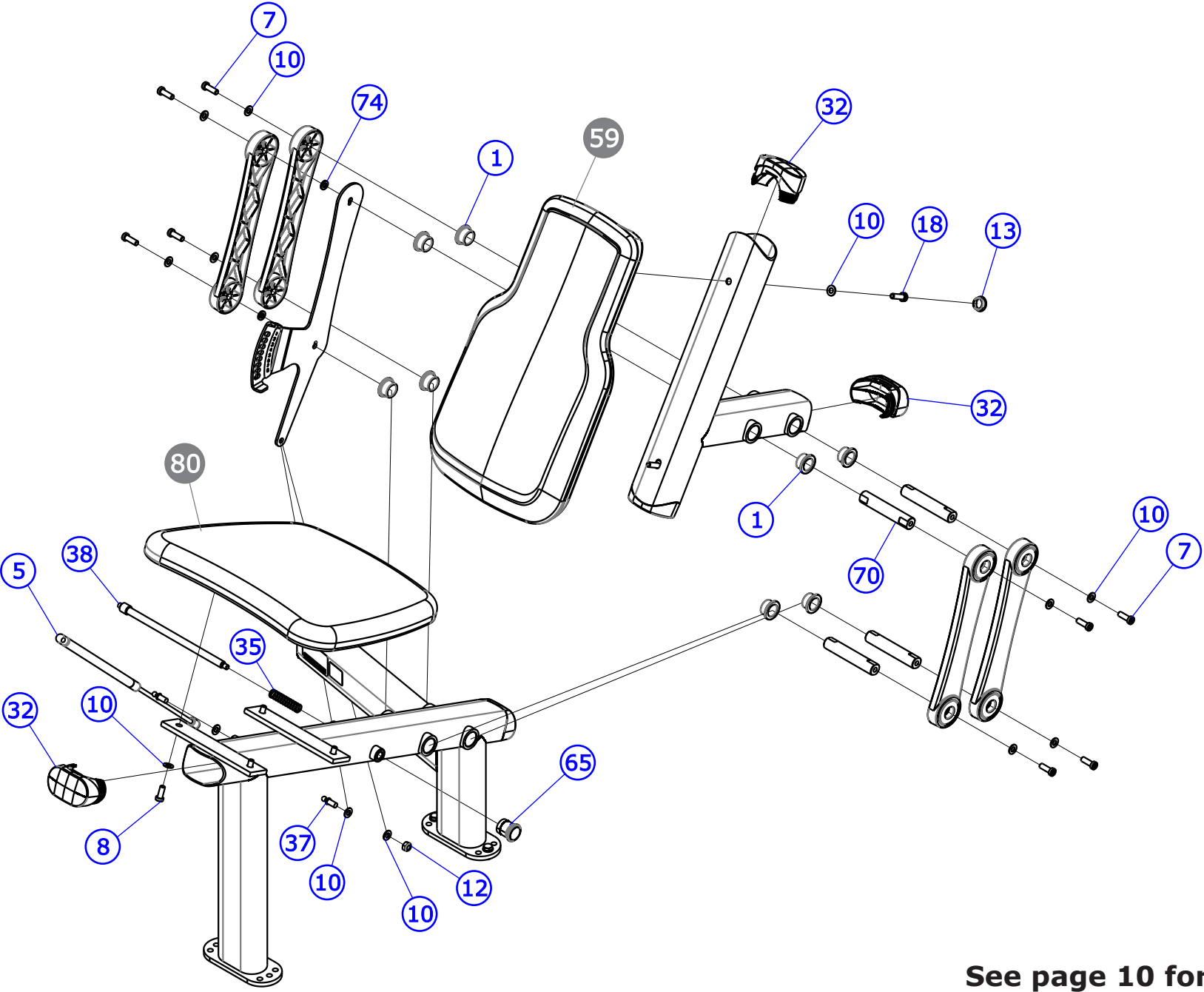
Component Assembly



See page 10 for table

Insignia Series Seated Leg Curl

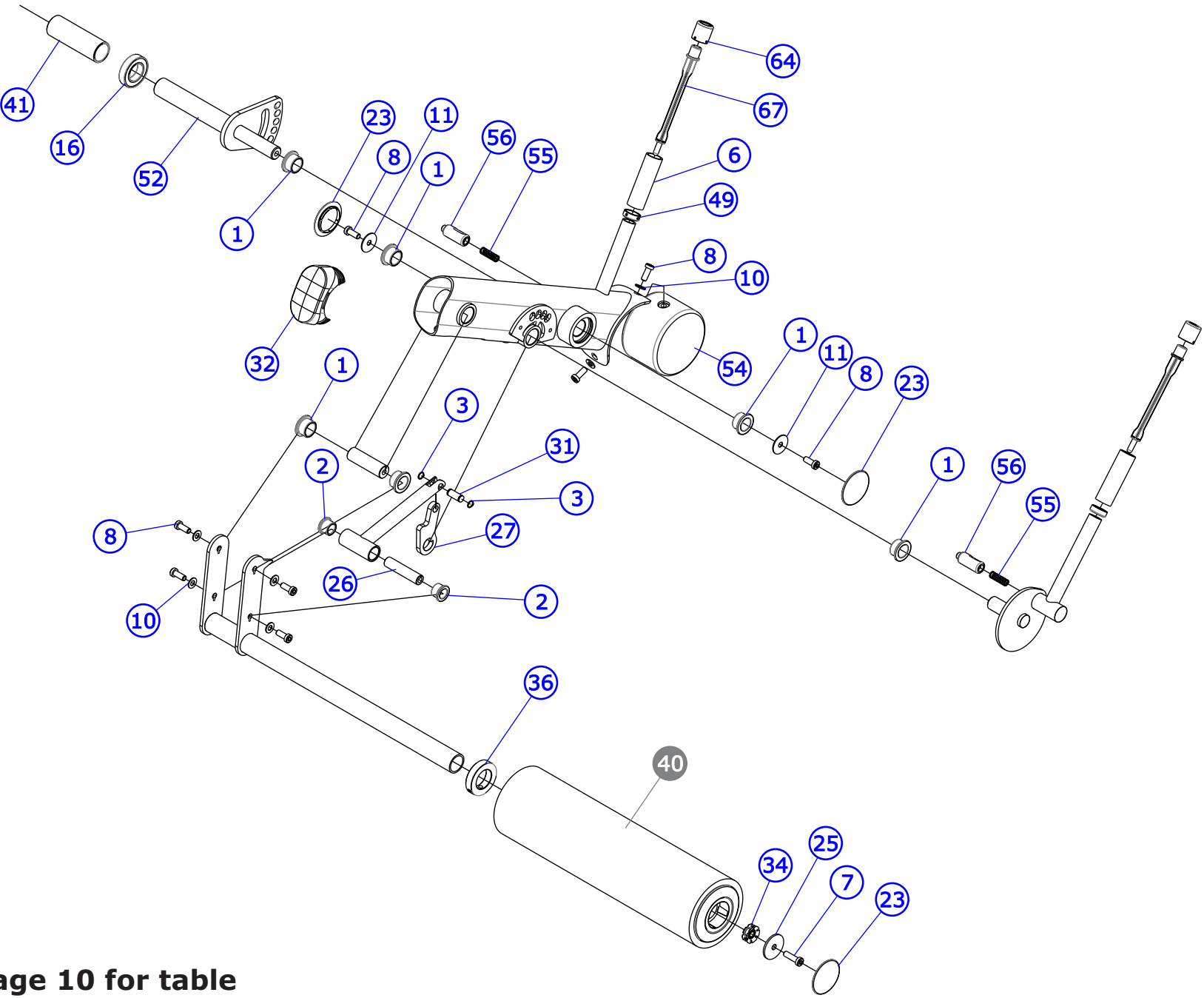
Component Assembly II



See page 10 for table

Insignia Series Seated Leg Curl

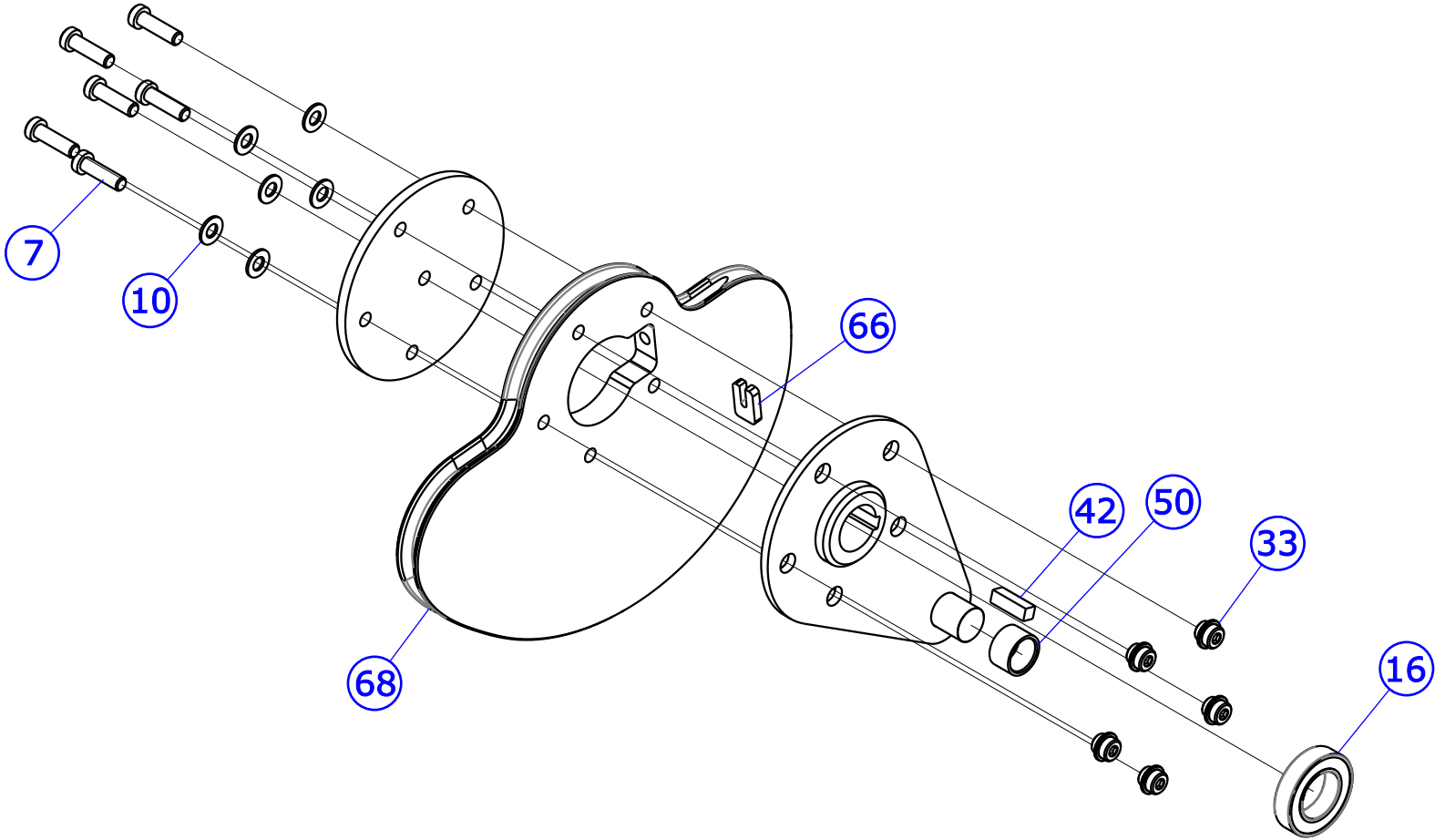
Component Assembly III



See page 10 for table

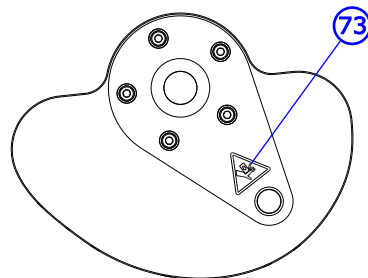
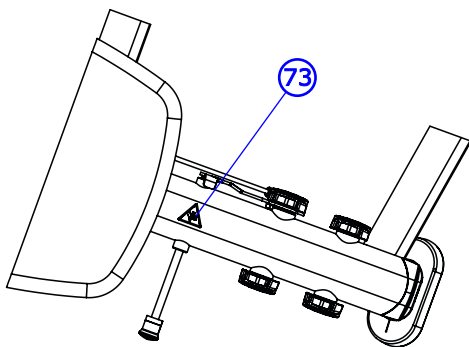
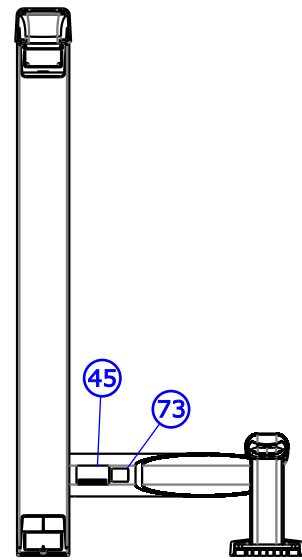
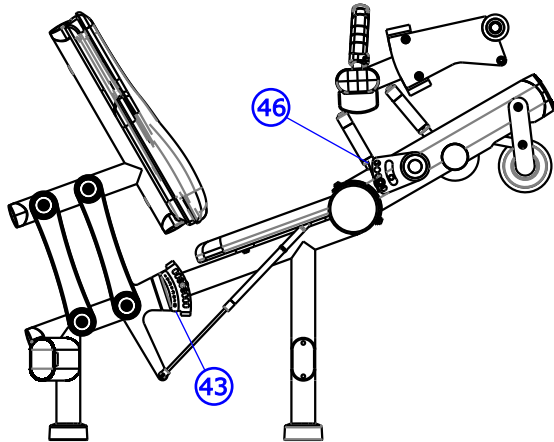
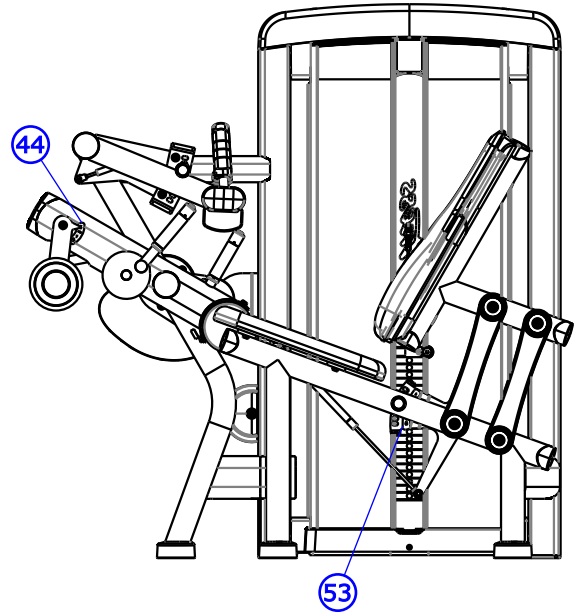
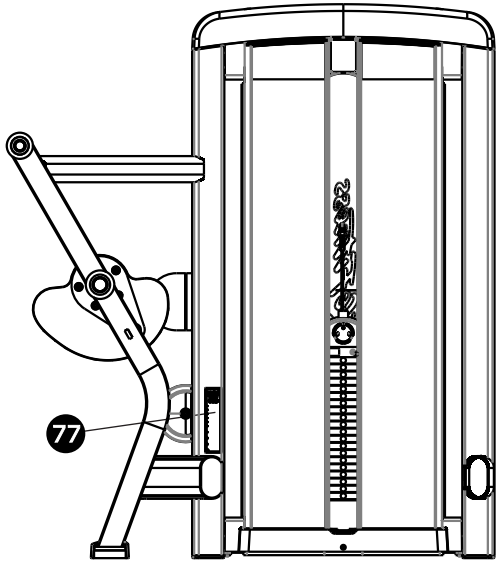
Insignia Series Seated Leg Curl

Component Assembly IV



See page 10 for table

Insignia Series Seated Leg Curl Labels

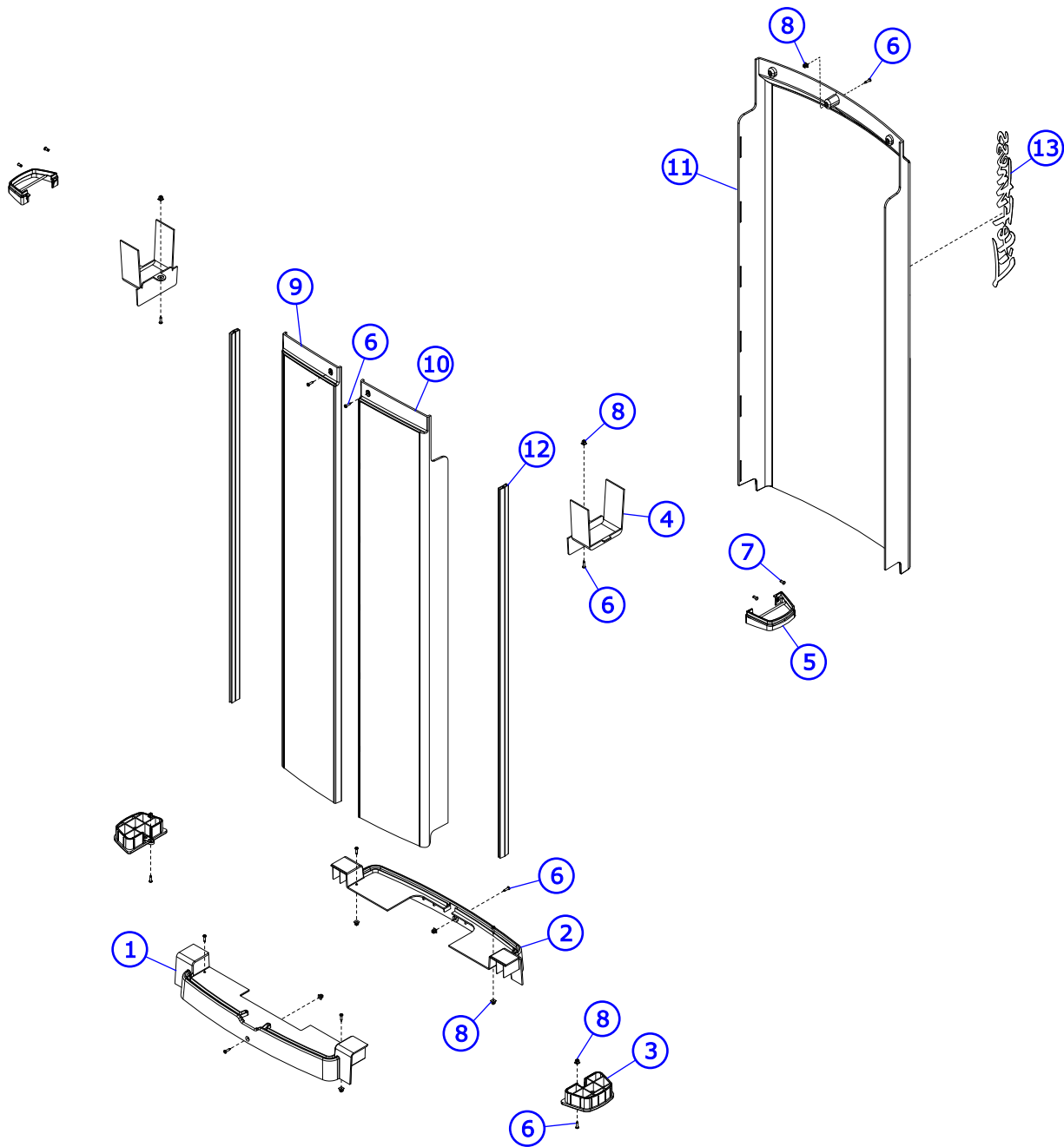


See page 10 for table

Insignia Series Seated Leg Curl Table

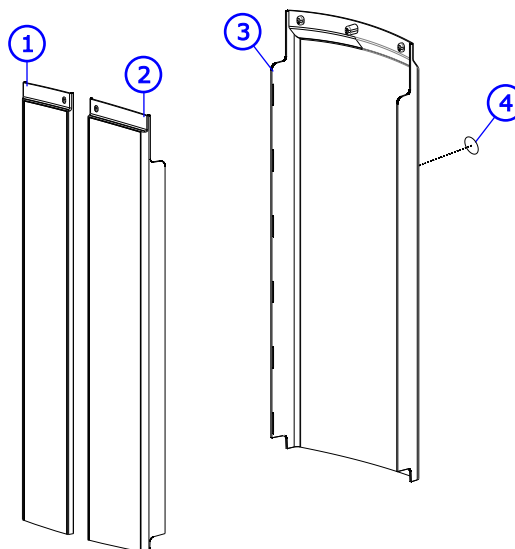
ITEM NO.	QTY.	PART NO.	DESCRIPTION	TRIM
1	14	3104903	1.00" ID 1.25" OD BRONZ BUSHING	S L
2	2	3104901	.75" ID 1.00" OD BRONZE BUSHING	S L
3	2	3232409	RING, RETAINING, EXTERNAL	S L
4	4	3235601	BEARING, 6205 BALL	S L
5	1	3235701	SPRING, GAS 150N	S L
6	2	3235806	GRIP, 1.25 OD X .125 WALL OPEN END	S L
7	9	3236204	SCREW, M10 X1.5 35MM	S L
8	20	3236202	SCREW, M10 X1.5 25MM	S L
9	1	3236207	SCREW, M10 X1.5 50MM	S L
10	46	3236601	WASHER, 3/8 SAE SS	S L
11	4	3236701	WASHER, FENDER 3/8" ID X 1.5" OD SS	S L
12	4	3236801	NUT, M10 HEX NYLOCK SS	S L
13	4	3237407	PLUG, 1" HOLE	S L
14	3	9319901	PULLEY, 3/16 IN CABLE (T2), 4.5 IN OD	S L
15	1	9436701	CAP, TOWER, TOP, PLASTIC	S -
16	2	3243201	BEARING, 6007 BALL	S L
17	8	3251202	SCREW, M10 X1.5 X 25MM UNS HEX CS ST ZN	S L
18	2	3251204	SCREW, M10 X1.5 X 35MM UNS HEX CS ST ZN	S L
19	6	3254703	NUT, M10 X 1.5 HEX ZINC	S L
20	4	3275401	M10X1.5 BLIND THREADED INSERT (HEX) -HVY	S L
21	2	3275507	SCREW, M10 X 1.5 X 50 SHCS, LOW HEAD -NO PATCH	S L
22	1	6757701	CLIP, CABLE 2-7/8 X 1 X 1	S L
23	5	7308702	CAP, BEARING HOUSING	S L
24	1	7316505	SHAFT, 25MM X 19.500	S L
25	1	7322301	PLATE, 1.97 OD X .44 ID 10GA	S L
26	1	7324801	SHAFT, TAPPED 0.75 DIA X 3.330	S L
27	1	7329601	PLATE, TIBIA LINK	S L
28	1	7330007	SPACER, INTERNAL X 11.765	S L
29	1	7330002	SPACER, INTERNAL X .653	S L
30	1	7330004	SPACER, INTERNAL X 4.765	S L
31	1	7331702	SHAFT, PIVOT X 1.040	S L
32	8	7333902	CAP, LARGE FLOV- END	S L
33	8	7335401	NUT, M10 X 1.5 SOCKET HEAD	S L
34	1	7347301	NUT, SPIDER M10 X 1.5	S L
35	2	7351501	SPRING, PULL PIN LARGE	S L
36	1	7357901	SHAFT COLLAR, 1-1/2" ID ALUM	S L
37	4	7414301	STUD, M10 BALL END M10 X 1.5	S L
38	1	7425101	PIN, PULL X 12.25	S L
39	1	7425102	PIN, PULL X 6.75	S L
40	1	1000001-0001	ASSY, ROLLER PAD LONG BLK, SNGL STITCH	S L
		1000001-0099	ASSY, ROLLER PAD LONG CUS, SNGL STITCH	S L
41	1	7511504	SPACER, FZ/PS INTERNAL 4.845	S L
42	1	7511601	KEY, .375 SQUARE X 1.25	S L
43	1	1001882-0001	LABEL, 1-7 CURVED -CHR	S L
44	1	7524202	LABEL, S-XL CURVED -CHR	S L
45	1	-	LABEL, SERIAL NUMBER, BLANK	S L
46	1	7589902	LABEL, 3- -1 STRAIGHT -CHR	S L
47	1	7630101	RETAINER, CM/MJ, PULLEY	S L
48	1	7658101	PLATE, FRMD .375 FZSLC	S L
49	2	7662801	RING, GRIP 1.25 OD	S L
50	1	7690103	BUMPER, SLEEVE - 1 INCH DIA	S L
51	1	7690202	BUMPER, SLEEVE - 1.125 INCH DIA	S L
52	1	7774801	WLDMT, FZSLC/BE ADJ START	S L
53	1	1001881-0001	LABEL, 1-7 CURVED INSIDE -CHR	S L
54	1	7801902	COUNTER WEIGHT, SMALL - COATED	S L
55	2	8024501	SPRING, 1/2 OD X 1-1/2	S L
56	2	8032401	PIN, PUSH	S L
57	1	8039501	LABEL, WARNING, TRIANGLE	S L
58	2	8094102	COVER, PULLEY-BOLTED PARTIAL -CHGR	S L
59	1	1000018-0001	PAD, LARGE BACK BLK, SNGL STITCH	S L
		1000018-0099	PAD, LARGE BACK CUS, SNGL STITCH	S L
		1000018-0101	PAD, LARGE BACK BLK, DBL STITCH	S L
		1000018-0199	PAD, LARGE BACK CUS, DBL STITCH	S L
60	1	9473201	SPRING, GAS, EXTENSION	S L
61	3	9319301	FOOT, 2.50 X 4.49 FLOV	S L
62	2	9319401	COVER, FOOT - STRAIGHT	S L
63	1	9411201	TRAY, TOWER TOP CAP	S L
64	2	9452901	ASSY, SELECTOR CAP	S L
65	2	9454703	KNOB, ADJ	S L
66	1	9454901	PLATE, CABLE END, T2	S L
67	2	9455303	ROD, PUSH PIN	S L
68	1	9458101	CAM, SS, SLC	S L
69	1	9461401	COVER, FOOT - 20 deg	S L
70	4	9472902	SHAFT, TAPPED 1 DIA X 5.330	S L
71	1	7324901	SHAFT, TAPPED 1 DIA X 3.330	S L
72	1	9477501	LABEL, SS-SLC PLACARD, RH	S L
73	2	9488901	LABEL, INSIGNIA, FCC	S L
74	2	9486801	WASHER, 10.5 ID X 19 OD	S L
75	1	9465999	LABEL, SS-SLC PLACARD, LH	S L
76	6	3236205	SCREW, M10 X1.5 40MM	S L
77	1	8220099	LABEL, ASTM, SELECT VERT	S L
80	1	1000004-0001	PAD, SEAT LE/SLC BLK, SNGL STITCH	S L
		1000004-0099	PAD, SEAT LE/SLC CUS, SNGL STITCH	S L
		1000004-0101	PAD, SEAT LE/SLC BLK, DBL STITCH	S L
		1000004-0199	PAD, SEAT LE/SLC CUS, DBL STITCH	S L
81	1	1000007-0001	PAD, KNEE BLK, SNGL STITCH	S L
		1000007-0099	PAD, KNEE CUS, SNGL STITCH	S L
		1000007-0101	PAD, KNEE BLK, DBL STITCH	S L
		1000007-0199	PAD, KNEE CUS, DBL STITCH	S L

Insignia Series Seated Leg Curl Tower Plastics



ITEM NO.	QTY.	PART NO.	DESCRIPTION
1	1	9410801	COVER, TOWER BOTTOM -FRONT
2	1	9411001	COVER, TOWER BOTTOM -REAR
3	2	9412701	ASSY, TRAP TUBE, CAP, BOTTOM
4	2	9415701	COVER, UPPER CROSS MEMBER
5	2	9415801	GASKET, TRAP TUBE
6	13	3275801	SCREW, 8 X 3/4 DIN PHL PAN AB ST ZB
7	4	0017-00101-1587	RVT 201X0413X.354 T NY NO
8	11	0017-00042-1147	GROMMET: SCREW; 8 OR 10
9	1	9410601	SHROUD, TOWER FRONT, LT - SHORT
10	1	9410701	SHROUD, TOWER FRONT, RT - SHORT
11	1	9411101	SHROUD, TOWER REAR - SHORT
12	2	9414601	SHROUD EXTRUSION - SHORT
13	1	9489101	LABEL, LIFE FITNESS

Insignia Series Seated Leg Curl Shroud Wraps



BAMBOO	DATE MADE	SERIAL #	ITEM	QTY.	PART NO.	DESCRIPTION
	1/1/2015 - 3/31/2016	PRIOR TO SS-XX0416001	1	1	9511802	SHROUD, SS, FNT, LT, SRT-BAM
			2	1	9511702	SHROUD, SS, FNT, RT, SRT-BAM
			3	1	9511902	SHROUD, SS, REAR, SRT-BAM
	4/01/2016 - PRESENT	ON OR AFTER SS-XX0416001	1	1	1003204-0002	SHROUD, SS, FNT, LT, SRT, ABS-BAM
			2	1	1003203-0002	SHROUD, SS, FNT, RT, SRT, ABS-BAM
			3	1	1003205-0002	SHROUD, SS, REAR, SRT, ABS-BAM

SKY	DATE MADE	SERIAL #	ITEM	QTY.	PART NO.	DESCRIPTION
	1/1/2015 - 3/31/2016	PRIOR TO SS-XX0416001	1	1	9511803	SHROUD, SS, FNT, LT, SRT-SKY
			2	1	9511703	SHROUD, SS, FNT, RT, SRT-SKY
			3	1	9511903	SHROUD, SS, REAR, SRT-SKY
	4/01/2016 - PRESENT	ON OR AFTER SS-XX0416001	1	1	1003204-0003	SHROUD, SS, FNT, LT, SRT, ABS-SKY
			2	1	1003203-0003	SHROUD, SS, FNT, RT, SRT, ABS-SKY
			3	1	1003205-0003	SHROUD, SS, REAR, SRT, ABS-SKY

BRONZE	DATE MADE	SERIAL #	ITEM	QTY.	PART NO.	DESCRIPTION
	1/1/2015 - 3/31/2016	PRIOR TO SS-XX0416001	1	1	9511804	SHROUD, SS, FNT, LT, SRT-BRZ
			2	1	9511704	SHROUD, SS, FNT, RT, SRT-BRZ
			3	1	9511904	SHROUD, SS, REAR, SRT-BRZ
	4/01/2016 - PRESENT	ON OR AFTER SS-XX0416001	1	1	1003204-0004	SHROUD, SS, FNT, LT, SRT, ABS-BRZ
			2	1	1003203-0004	SHROUD, SS, FNT, RT, SRT, ABS-BRZ
			3	1	1003205-0004	SHROUD, SS, REAR, SRT, ABS-BRZ

STEM	DATE MADE	SERIAL #	ITEM	QTY.	PART NO.	DESCRIPTION
	1/1/2015 - 3/31/2016	PRIOR TO SS-XX0416001	1	1	9511805	SHROUD, SS, FNT, LT, SRT-STM
			2	1	9511705	SHROUD, SS, FNT, RT, SRT-STM
			3	1	9511905	SHROUD, SS, REAR, SRT-STM
	4/01/2016 - PRESENT	ON OR AFTER SS-XX0416001	1	1	1003204-0005	SHROUD, SS, FNT, LT, SRT, ABS-STM
			2	1	1003203-0005	SHROUD, SS, FNT, RT, SRT, ABS-STM
			3	1	1003205-0005	SHROUD, SS, REAR, SRT, ABS-STM

ROSEWOOD	DATE MADE	SERIAL #	ITEM	QTY.	PART NO.	DESCRIPTION
	1/1/2015 - 3/31/2016	PRIOR TO SS-XX0416001	1	1	9511806	SHROUD, SS, FNT, LT, SRT-RSW
			2	1	9511706	SHROUD, SS, FNT, RT, SRT-RSW
			3	1	9511906	SHROUD, SS, REAR, SRT-RSW
	4/01/2016 - PRESENT	ON OR AFTER SS-XX0416001	1	1	1003204-0006	SHROUD, SS, FNT, LT, SRT, ABS-RSW
			2	1	1003203-0006	SHROUD, SS, FNT, RT, SRT, ABS-RSW
			3	1	1003205-0006	SHROUD, SS, REAR, SRT, ABS-RSW

STAINLESS STEEL	DATE MADE	SERIAL #	ITEM	QTY.	PART NO.	DESCRIPTION
	1/1/2015 - 3/31/2016	PRIOR TO SS-XX0416001	1	1	9511807	SHROUD, SS, FNT, LT, SRT-SS
			2	1	9511707	SHROUD, SS, FNT, RT, SRT-SS
			3	1	9511907	SHROUD, SS, REAR, SRT-SS
	4/01/2016 - PRESENT	ON OR AFTER SS-XX0416001	1	1	1003204-0007	SHROUD, SS, FNT, LT, SRT, ABS-SS
			2	1	1003203-0007	SHROUD, SS, FNT, RT, SRT, ABS-SS
			3	1	1003205-0007	SHROUD, SS, REAR, SRT, ABS-SS

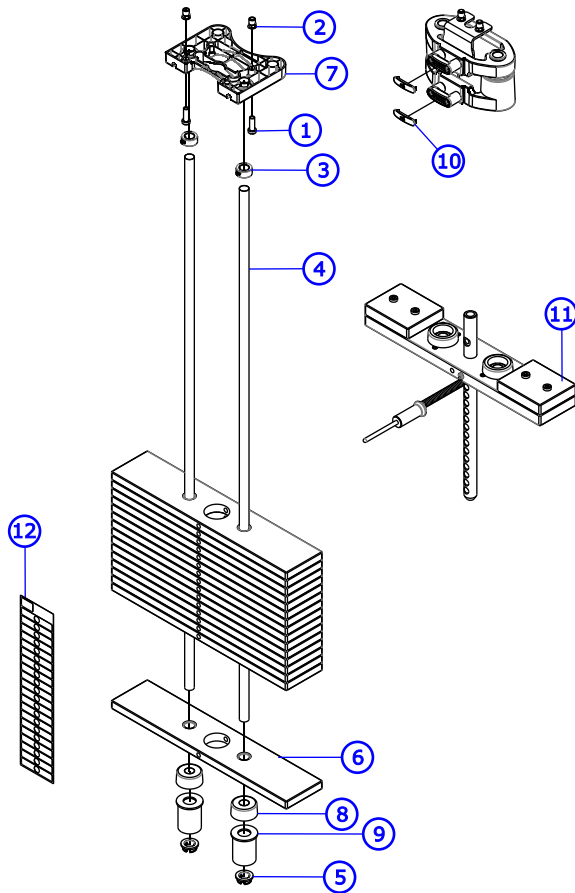
PREMIUM STAINLESS STEEL	DATE MADE	SERIAL #	ITEM	QTY.	PART NO.	DESCRIPTION
	4/01/2016 - PRESENT	ON OR AFTER SS-XX0416001	1	1	1003204-0008	SHROUD, SS, FNT, LT, SRT, ABS-PSS
			2	1	1003203-0008	SHROUD, SS, FNT, RT, SRT, ABS-PSS
			3	1	1003205-0008	SHROUD, SS, REAR, SRT, ABS-PSS

PREMIUM BLACK CARBON FIBER	DATE MADE	SERIAL #	ITEM	QTY.	PART NO.	DESCRIPTION
	4/01/2016 - PRESENT	ON OR AFTER SS-XX0416001	1	1	1003204-0009	SHROUD, SS, FNT, LT, SRT, ABS-PBCF
			2	1	1003203-0009	SHROUD, SS, FNT, RT, SRT, ABS-PBCF
			3	1	1003205-0009	SHROUD, SS, REAR, SRT, ABS-PBCF

4	1	AK58-00245-2401	MEDALLION-ASSY;LF-BUG B
---	---	-----------------	-------------------------

Insignia Series Seated Leg Curl Weight Stack Assemblies

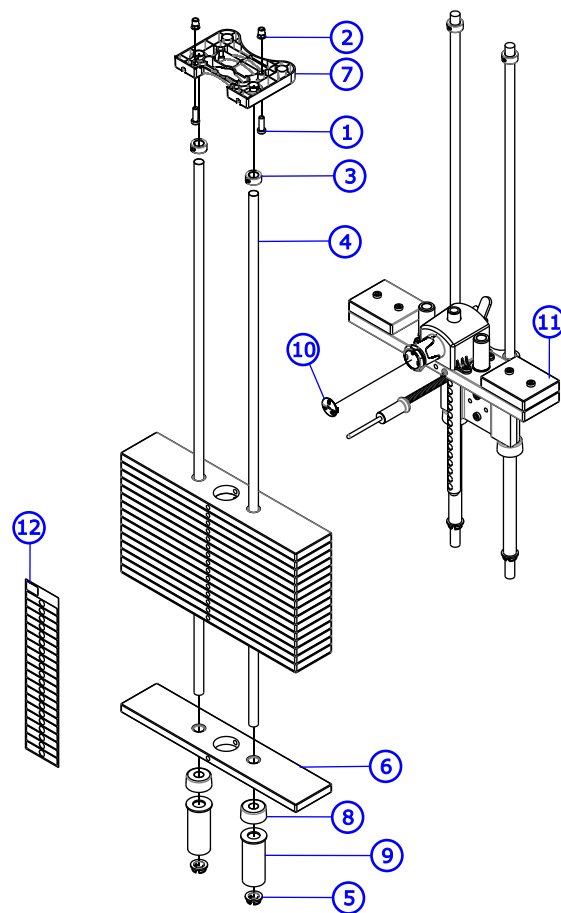
T - Base



Uses Cable 9423901 (111.0")

ITEM NO.	QTY.	PART NO.	DESCRIPTION
1	2	3236203	SCREW, M10 X1.5 30MM
2	2	3238601	M10X1.5 BLIND THREADED INSERT (HEX)
3	2	3103301	SHAFT COLLAR, 3/4 I.D. ZINC
4	2	7328612	GUIDE ROD, .75 OD SOLID 50.36
5	2	7337901	BUSHING, GUIDE ROD
6	16	9407601	WGT PL, 3/4IN X 4IN, 15 LB
7	1	9412801	RETAINER, GUIDE ROD - TOP
8	2	7352101	CUSHION, WEIGHT STACK
9	2	9495913	WLDMT, WGT STK SPACER X 3.00 -CHR
10	1	9462303	CAP, DD INC WGT, YEL -LBS
		9462403	CAP, DD INC WGT, YEL -KG
11	1	SEE PAGE 14	ASSY, SS-SLC/TP, HEAD PLATE, STD -16
		9475301	LABEL, 3/4 IN WGT STACK, 295 LB
12	1	9475201	LABEL, 3/4 IN WGT STACK, 147.5 KG

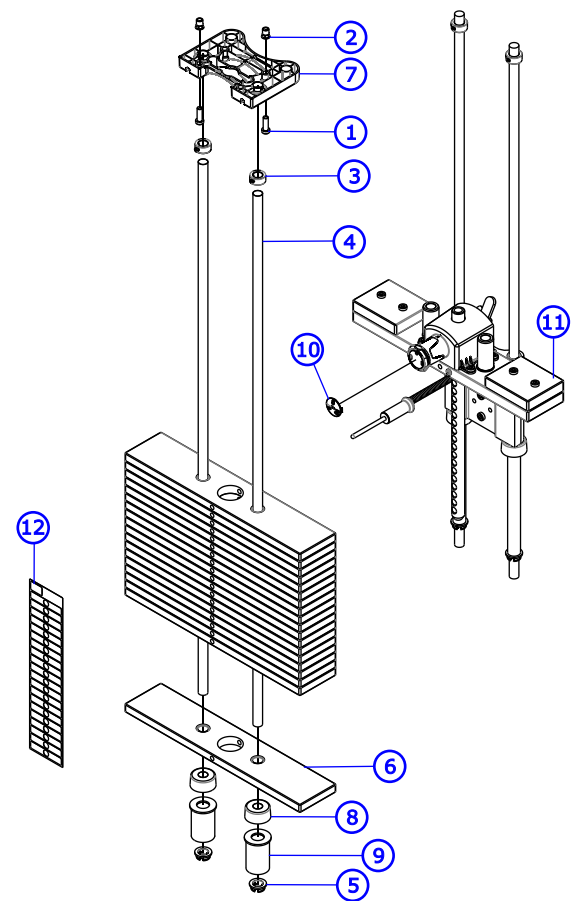
C - Light



Uses Cable 9423902 (108.75")

ITEM NO.	QTY.	PART NO.	DESCRIPTION
1	2	3236203	SCREW, M10 X1.5 30MM
2	2	3238601	M10X1.5 BLIND THREADED INSERT (HEX)
3	2	3103301	SHAFT COLLAR, 3/4 I.D. ZINC
4	2	7328612	GUIDE ROD, .75 OD SOLID 50.36
5	2	7337901	BUSHING, GUIDE ROD
6	16	9407601	WGT PL, 3/4IN X 4IN, 15 LB
7	1	9412801	RETAINER, GUIDE ROD - TOP
8	2	7352101	CUSHION, WEIGHT STACK
9	2	9495915	WLDMT, WGT STK SPACER X 5.25 -CHR
		9431403	CAP, SELECTOR KNOB -LBS
		9450103	CAP, SELECTOR KNOB -KGS
10	1	SEE PAGE 15	ASSY, SS, INC WGT, DIAL, STD -16
		9475301	LABEL, 3/4 IN WGT STACK, 295 LB
12	1	9475201	LABEL, 3/4 IN WGT STACK, 147.5 KG

X - Heavy



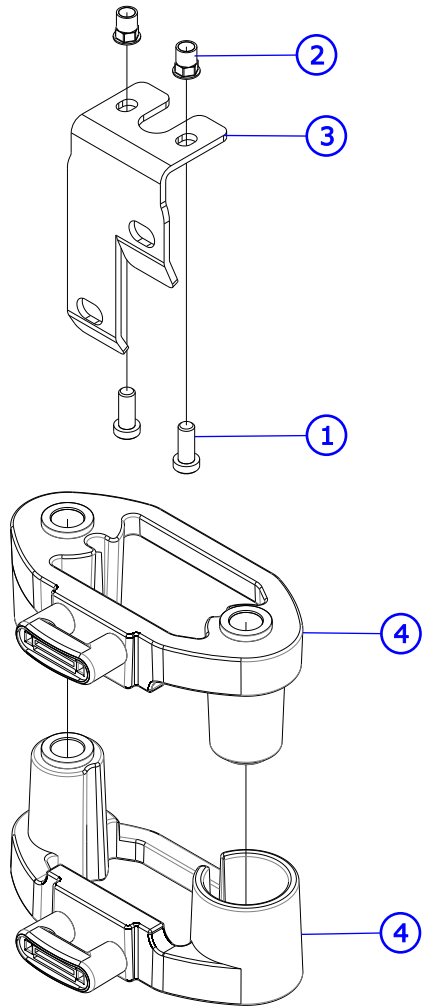
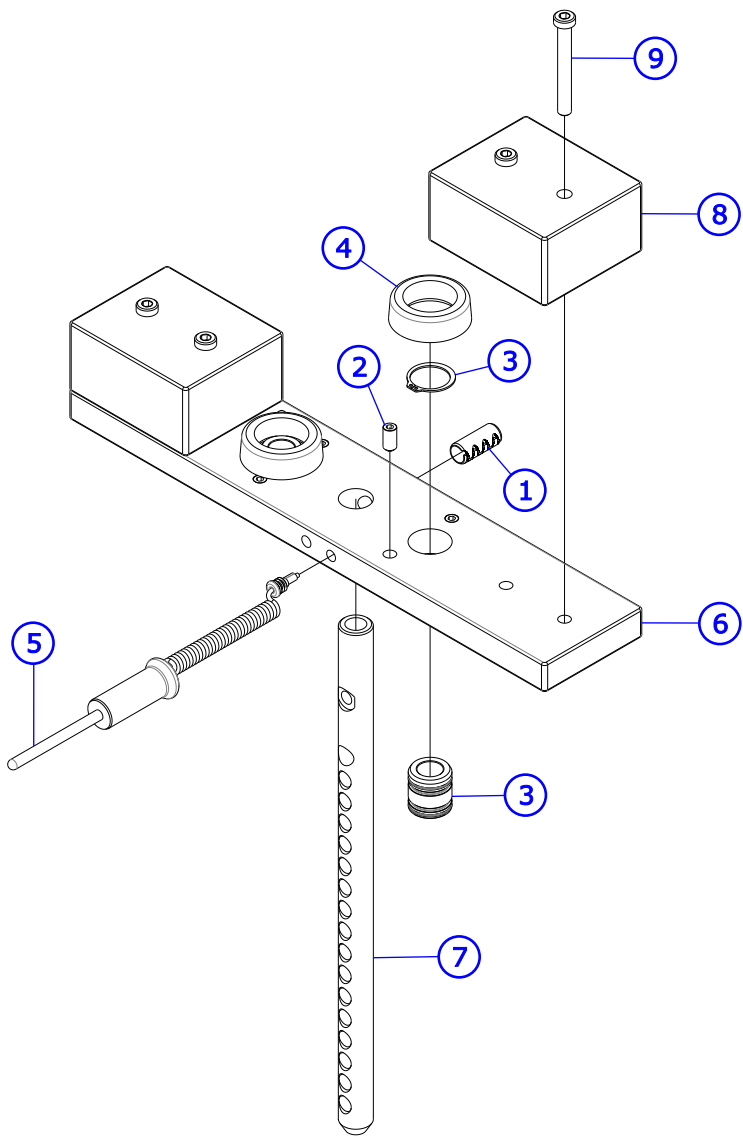
Uses Cable 9423902 (108.75")

ITEM NO.	QTY.	PART NO.	DESCRIPTION
1	2	3236203	SCREW, M10 X1.5 30MM
2	2	3238601	M10X1.5 BLIND THREADED INSERT (HEX)
3	2	3103301	SHAFT COLLAR, 3/4 I.D. ZINC
4	2	7328612	GUIDE ROD, .75 OD SOLID 50.36
5	2	7337901	BUSHING, GUIDE ROD
6	19	9407601	WGT PL, 3/4IN X 4IN, 15 LB
7	1	9412801	RETAINER, GUIDE ROD - TOP
8	2	7352101	CUSHION, WEIGHT STACK
9	2	9495913	WLDMT, WGT STK SPACER X 3.00 -CHR
		9431403	CAP, SELECTOR KNOB -LBS
		9450103	CAP, SELECTOR KNOB -KGS
10	1	SEE PAGE 15	ASSY, SS, INC WGT, DIAL, HVY -19
		9475301	LABEL, 3/4 IN WGT STACK, 295 LB
12	1	9475201	LABEL, 3/4 IN WGT STACK, 147.5 KG

Insignia Series Seated Leg Curl

T Trim Head Plate and Drop Down Increment Weights

T Trim



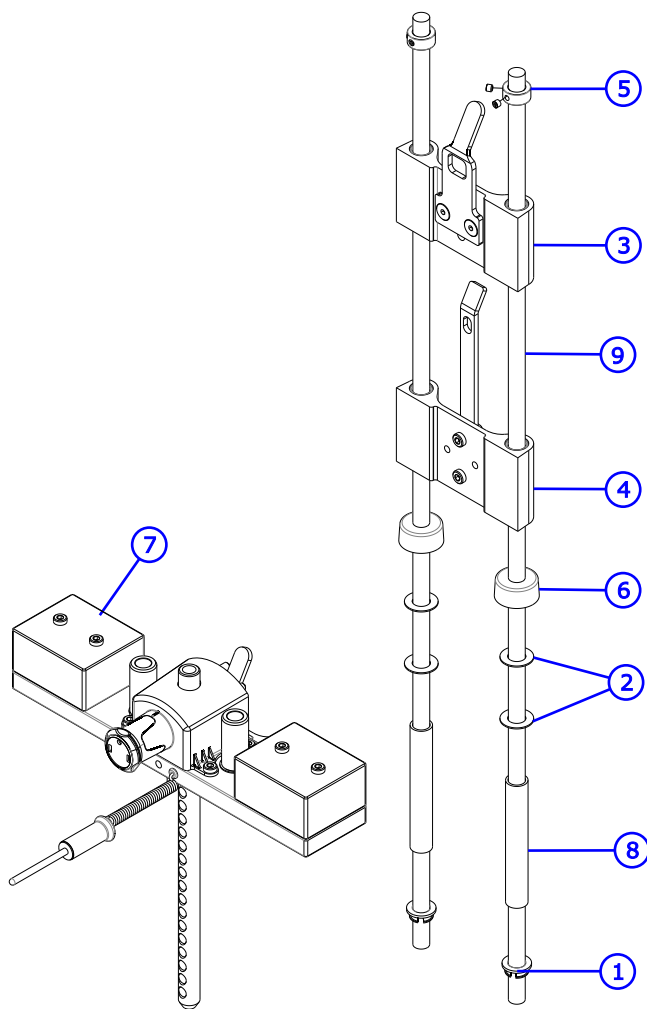
ITEM NO.	QTY.	PART NO.	DESCRIPTION
1	1	3236001	BUSHING, SPRING PIN
2	4	3240501	M10 X 1.5 HXS NO CUP ST BO
3	2	7338001	BUSHING, HEADPLATE
4	2	7767602	BUMPER, INCREMENT WT -BLK
5	1	1003679-0003	ASSY, WGT STK SELECTOR PIN -YELLOW
6	1	9431101	HEADPLATE, WT. STACK, 20LB
7	1	9434202	BAYONET, 16 PLATE
8	2	9433301	COUNTER WEIGHT, HEAD PLATE, 5LB
9	4	3236206	M10 X 1.5 X 45 SHCS, LOW HEAD

ITEM NO.	QTY.	PART NO.	DESCRIPTION
1	2	3236202	SCREW, M10 X1.5 25MM
2	2	3238601	M10X1.5 BLIND THREADED INSERT (HEX)
3	1	9430801	BRKT, INC WGT STRIKER
4	2	9455403	ASSY, DD INC WGT -YEL

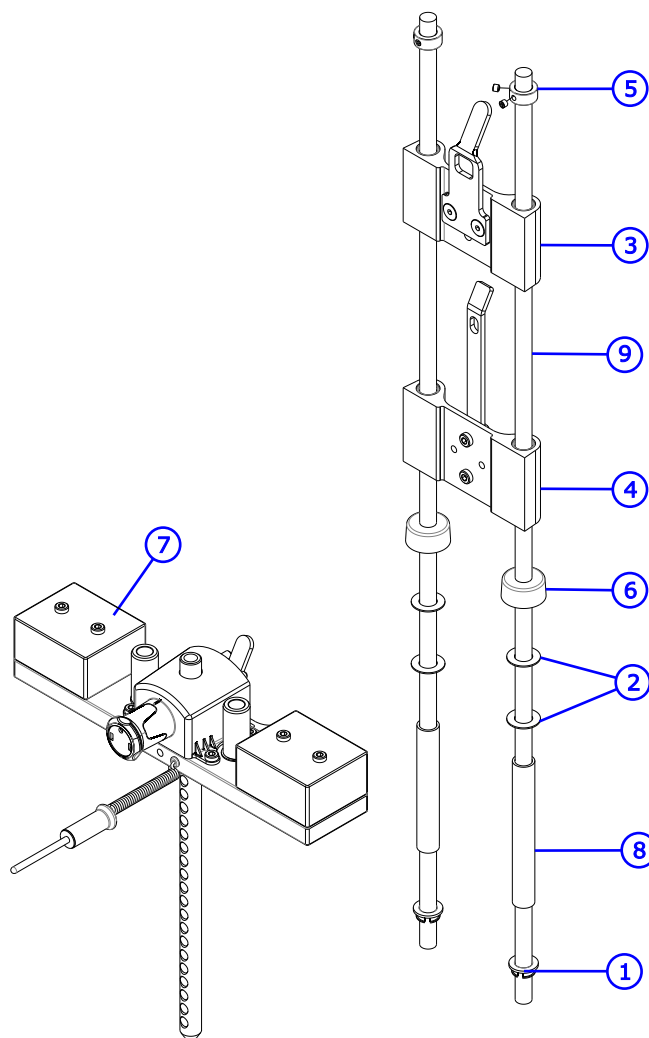
Insignia Series Seated Leg Curl

C and X Trim Stack Components

C Trim



X Trim

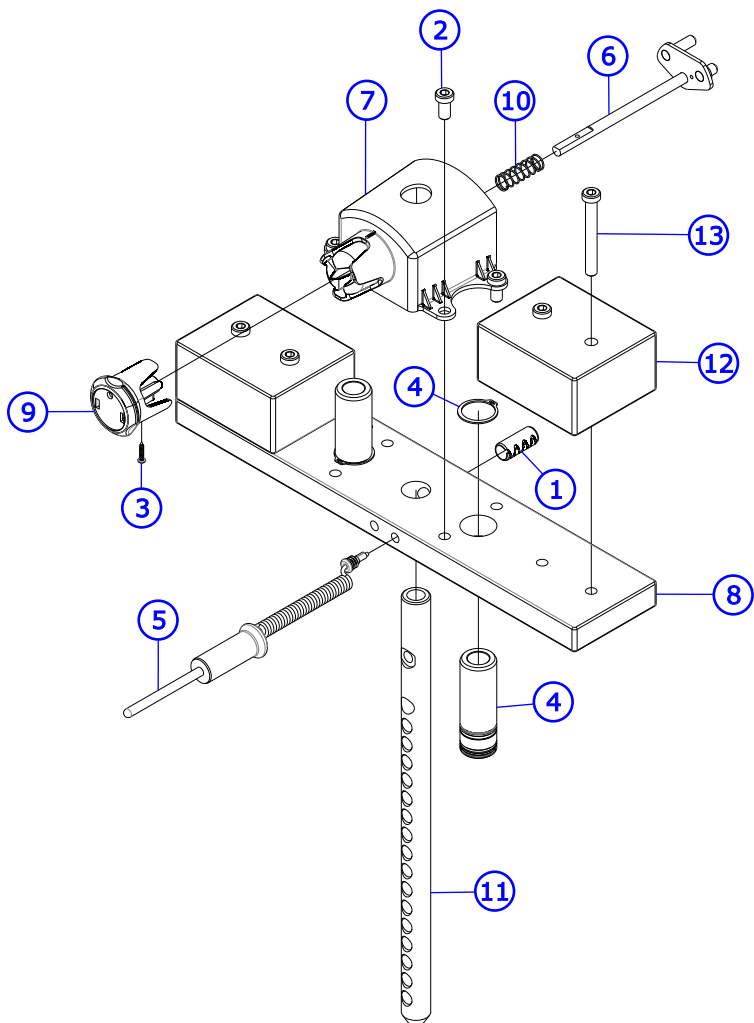


ITEM NO.	QTY.	PART NO.	DESCRIPTION
1	2	7337901	BUSHING, GUIDE ROD
2	4	7351001	SPACER, INC WT STACK
3	1	SEE PAGE 17	ASSY, INC WGT -5LB
4	1	SEE PAGE 17	ASSY, INC WGT -10LB
5	2	3103301	SHAFT COLLAR, 3/4 IN ID
6	2	7352101	CUSHION, WEIGHT STACK
7	1	SEE PAGE 16	ASSY, WTD HEAD PLATE, DIAL, STD -16
8	2	7328707	SPACER, INC WT STACK -9.63
9	2	7328612	GUIDE ROD, .75 OD SOLID X 50.36

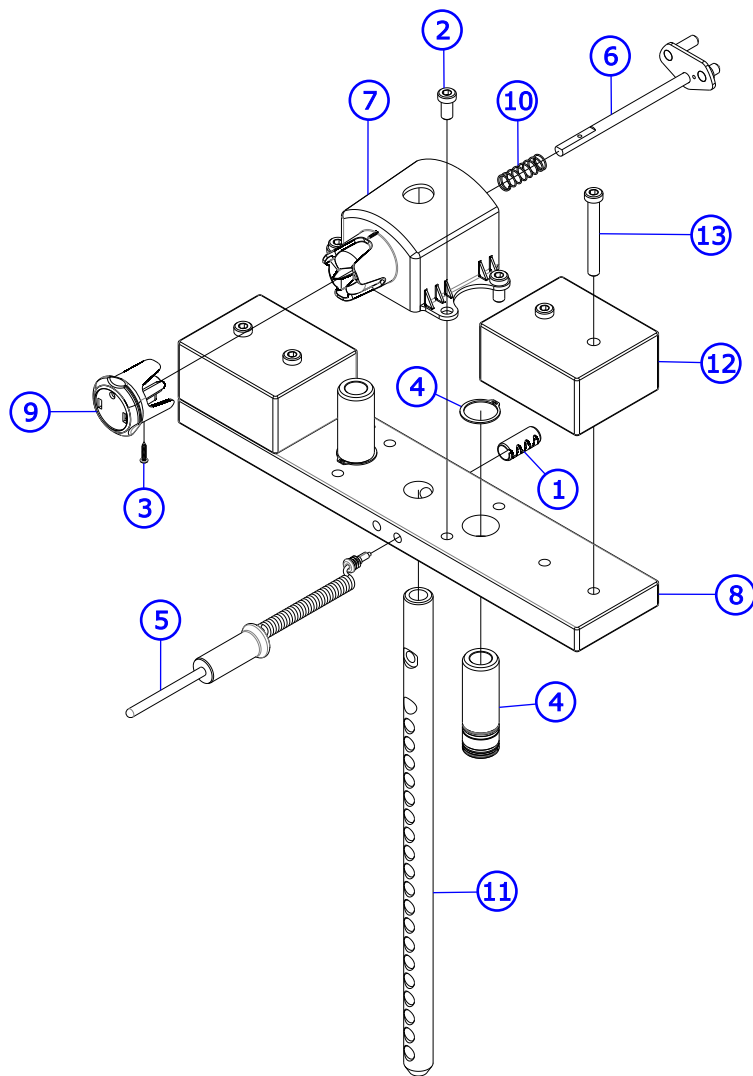
ITEM NO.	QTY.	PART NO.	DESCRIPTION
1	2	7337901	BUSHING, GUIDE ROD
2	4	7351001	SPACER, INC WT STACK
3	1	SEE PAGE 17	ASSY, INC WGT -5LB
4	1	SEE PAGE 17	ASSY, INC WGT -10LB
5	2	3103301	SHAFT COLLAR, 3/4 IN ID
6	2	7352101	CUSHION, WEIGHT STACK
7	1	SEE PAGE 16	ASSY, WTD HEAD PLATE, DIAL, HVY -19
8	2	7328707	SPACER, INC WT STACK -9.63
9	2	7328612	GUIDE ROD, .75 OD SOLID X 50.36

Insignia Series Seated Leg Curl C and X Trim Head Plate Assemblies

C Trim



X Trim

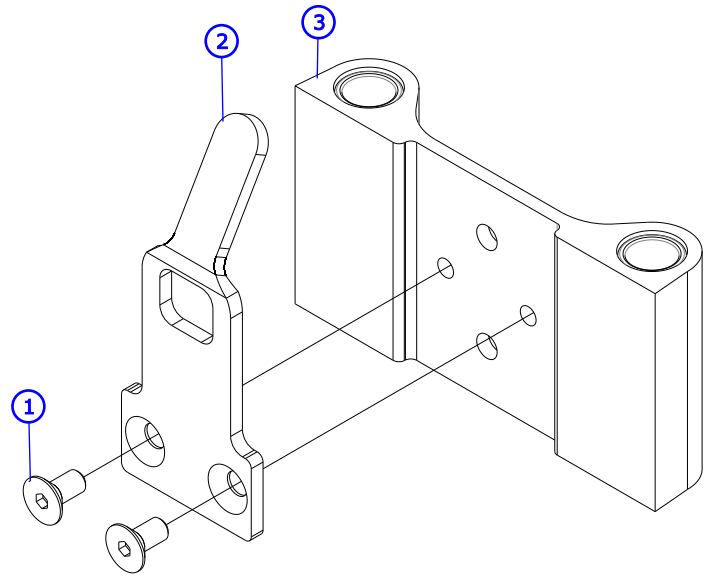


ITEM NO.	QTY.	PART NO.	DESCRIPTION
1	1	3236001	BUSHING, SPRING PIN
2	4	3236201	SCREW, M10 X1.5 20MM
3	1	3275601	SCREW, 6 X 3/4 DIN PHL PAN AB ST ZB
4	2	9296001	BUSHING, HEADPLATE, LONG
5	1	1003679-0003	ASSY, WGT STK SELECTOR PIN -YELLOW
6	1	9427501	WLDMT, INC WGT PIN
7	1	9430501	HSNG, INC WEIGHT
8	1	9431101	HEADPLATE, WT. STACK, 20LB
9	1	9443201	KNOB, INC WEIGHT
10	1	9443301	SPRING, INC WGT PIN
11	1	9434202	BAYONET, 16 PLATE
12	2	9433301	COUNTER WEIGHT, HEAD PLATE, 5LB
13	4	3236206	M10 X 1.5 X 45 SHCS, LOW HEAD

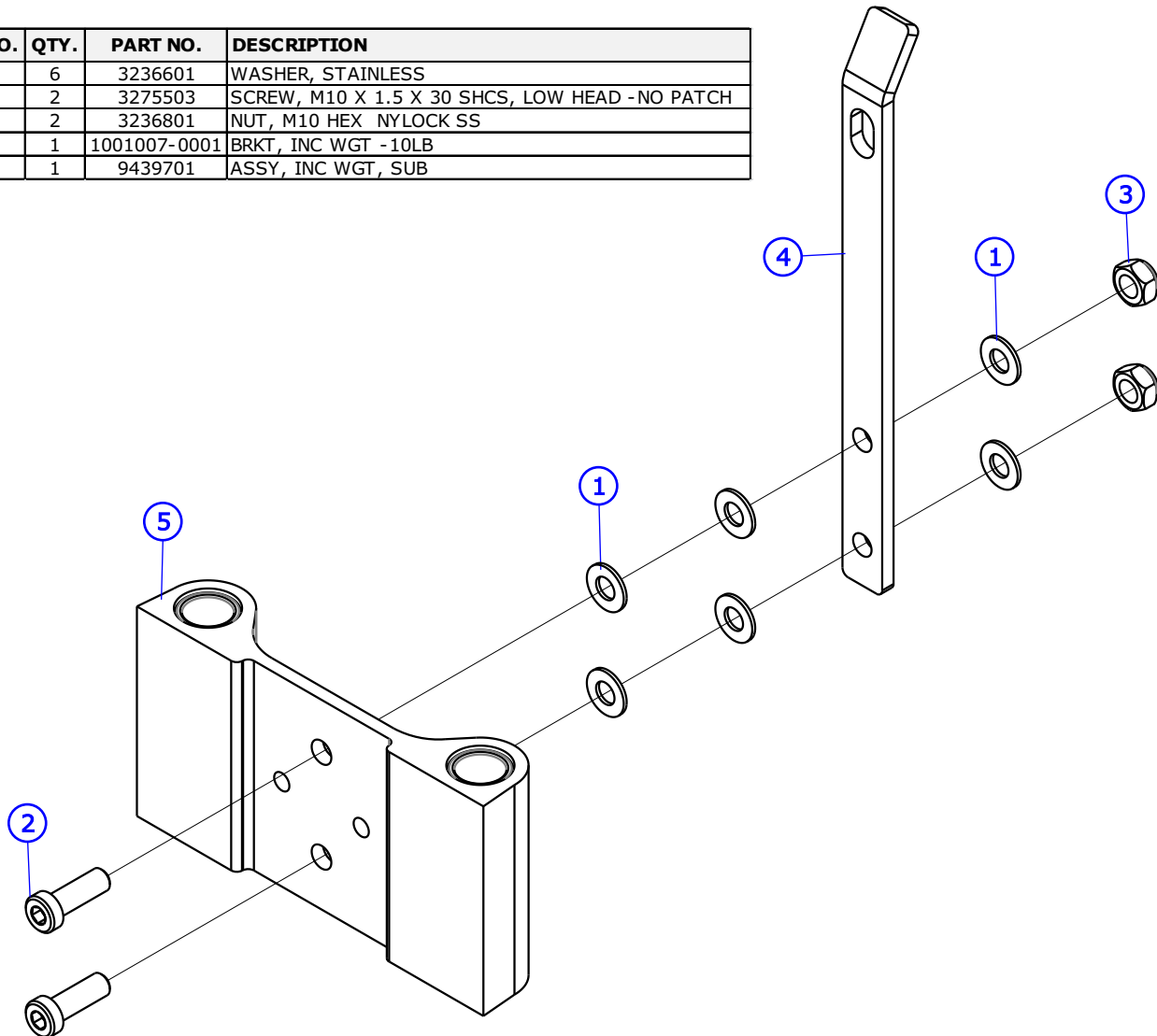
ITEM NO.	QTY.	PART NO.	DESCRIPTION
1	1	3236001	BUSHING, SPRING PIN
2	4	3236201	SCREW, M10 X1.5 20MM
3	1	3275601	SCREW, 6 X 3/4 DIN PHL PAN AB ST ZB
4	2	9296001	BUSHING, HEADPLATE, LONG
5	1	1003679-0003	ASSY, WGT STK SELECTOR PIN -YELLOW
6	1	9427501	WLDMT, INC WGT PIN
7	1	9430501	HSNG, INC WEIGHT
8	1	9431101	HEADPLATE, WT. STACK, 20LB
9	1	9443201	KNOB, INC WEIGHT
10	1	9443301	SPRING, INC WGT PIN
11	1	9426002	BAYONET, 19 PLATE
12	2	9433301	COUNTER WEIGHT, HEAD PLATE, 5LB
13	4	3236206	M10 X 1.5 X 45 SHCS, LOW HEAD

Insignia Series Seated Leg Curl C and X Trim Incremental Weights

ITEM NO.	QTY.	PART NO.	DESCRIPTION
1	2	3238301	M10x1.5x20mm
2	1	9428201	BRKT, INC WGT -5 LB
3	1	9439701	ASSY, INC WGT, SUB

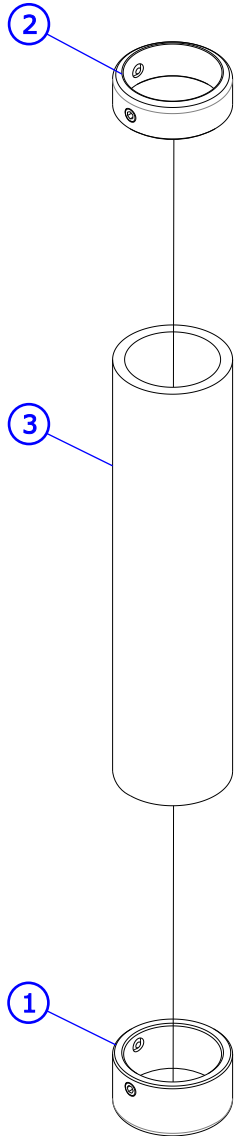


ITEM NO.	QTY.	PART NO.	DESCRIPTION
1	6	3236601	WASHER, STAINLESS
2	2	3275503	SCREW, M10 X 1.5 X 30 SHCS, LOW HEAD -NO PATCH
3	2	3236801	NUT, M10 HEX NYLOCK SS
4	1	1001007-0001	BRKT, INC WGT -10LB
5	1	9439701	ASSY, INC WGT, SUB



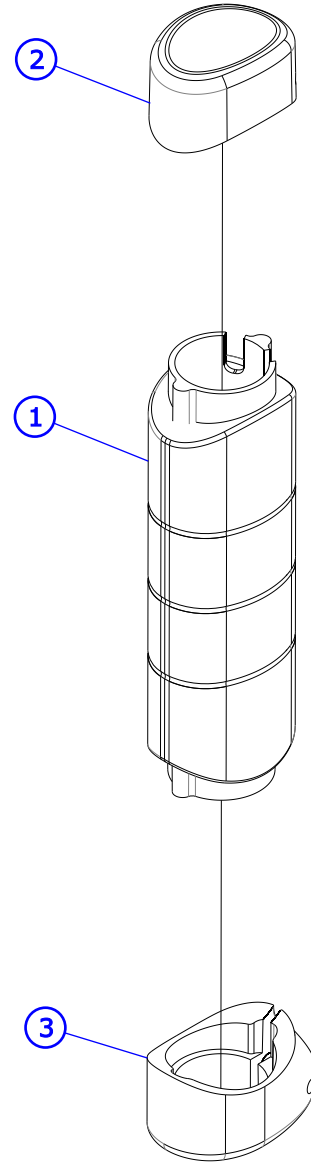
Insignia Series Seated Leg Curl Grip Assemblies

S Trim



ITEM NO.	QTY.	PART NO.	DESCRIPTION
1	1	7662901	CAP, GRIP 1.25 OD
2	1	7662801	RING, GRIP
3	1	3235806	GRIP, 1.25 OD X .125 WALL, OPEN END

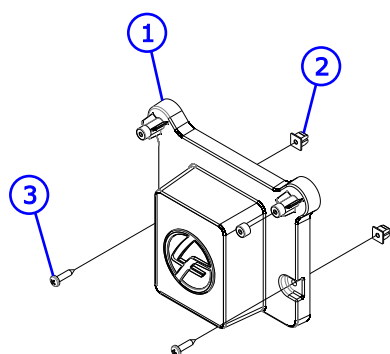
L Trim



ITEM NO.	QTY.	PART NO.	DESCRIPTION
1	1	9453001	GRIP, ERGO, OVERMOLD
2	1	1001761-0001	ASSY, CAP, GRIP
3	1	1001760-0001	ASSY, COLLAR, ERGO GRIP

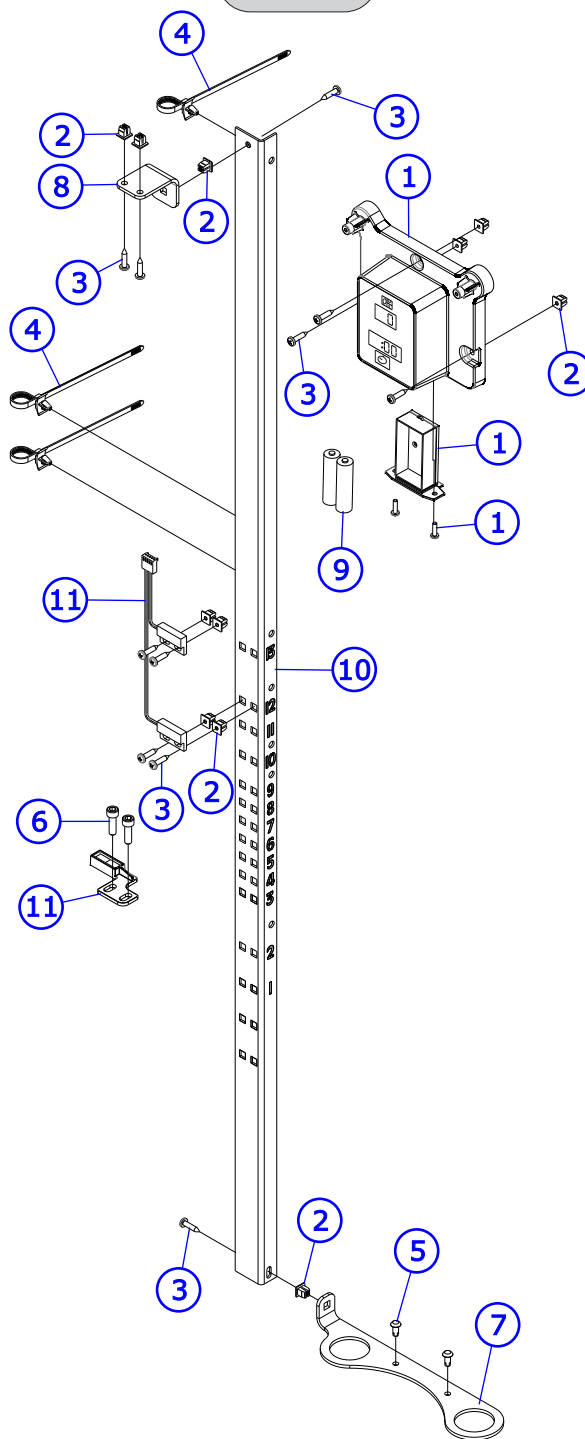
Insignia Series Seated Leg Curl Sensor Assemblies

S Trim



ITEM NO.	QTY.	PART NO.	DESCRIPTION
1	1	9437401	SS - ASSY, DISPLAY, BASE
2	12	0017-00042-1147	GROMMET: SCREW; 8 OR 10
3	12	3275801	SCREW, 8 X 3/4 DIN PHL PAN AB ST ZB

L Trim



ITEM NO.	QTY.	PART NO.	DESCRIPTION
1	1	9417701	ASSY, DISPLAY, COUNTER
2	11	0017-00042-1147	GROMMET: SCREW; 8 OR 10
3	11	3275801	SCREW, 8 X 3/4 DIN PHL PAN AB ST ZB
4	3	3276101	GROMMET, CABLE TIE
5	2	0017-00101-1587	RVT 201X0413X.354 T NY NO
6	2	3241701	SCREW, M6 X1 20MM
7	1	9432728	BRKT, SS, SWITCH MNT -CHGR
8	1	9434828	BRKT, SS, SWITCH MNT
9	2	-	BATTERY, AA
10	1	9434628	BRKT, SS, SWITCH MNT, STD -CHR
11	1	1000585-0001	ASSY, SS, PROX SWITCH/MAGNET