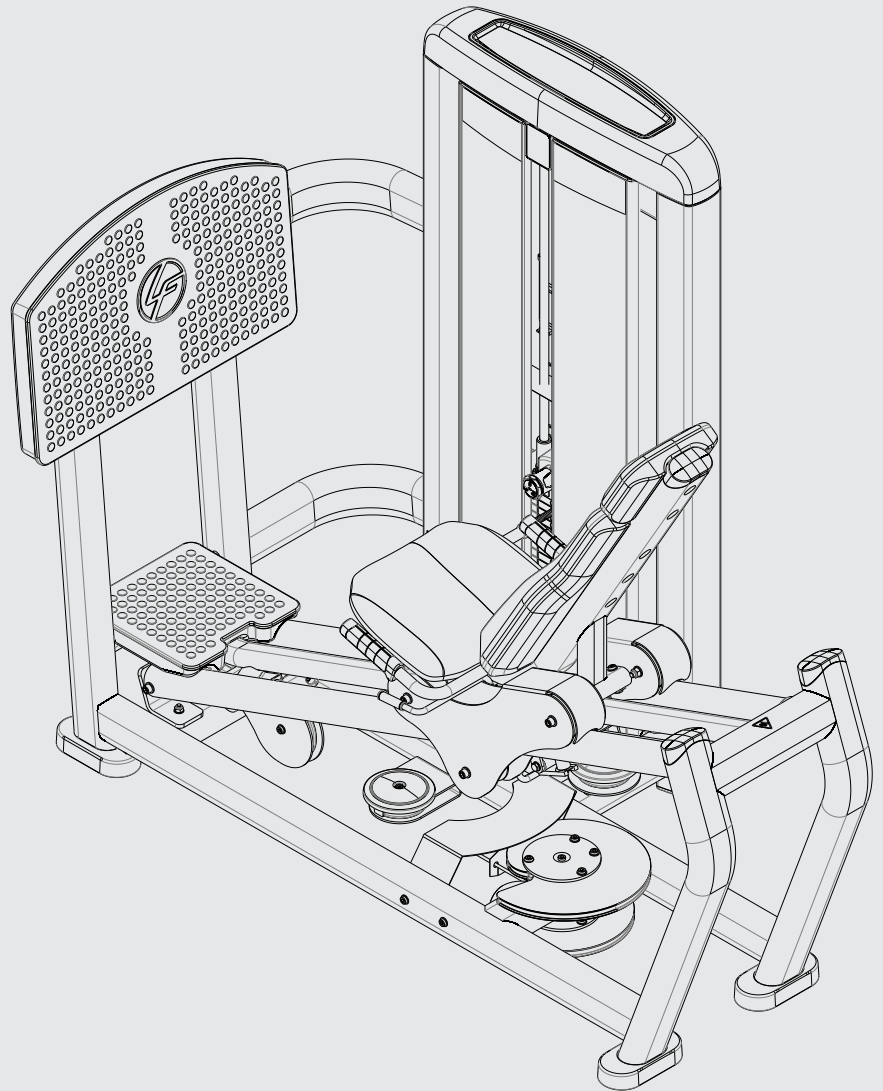


INSIGNIA SERIES
SEATED LEG PRESS
SS-SLP
PARTS MANUAL



Insignia Series Seated Leg Press

Contents

Options and Key	3
Powder Coat Painted Frame Weldments	4
Component Assembly	5
Carriage Components	6
Labels	7
Table	8
Lower Cam Assembly	9
Seat Adjustment Assembly	10
Seat Handle Assembly	11
Tower Plastics	12
Shroud Wraps	13
Weight Stack Assemblies	14
T Trim Head Plate and Drop Down Increment Weights	15
C and X Trim Stack Components	16
C and X Trim Head Plate Assemblies	17
X and X Trim Incremental Weights	18
Grip Assemblies	19
Sensor Assemblies	20

Insignia Series Seated Leg Press

Options and Key

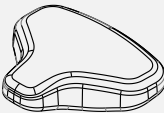
FRAME COLOR OPTION

SELECT POWDERCOAT COLOR

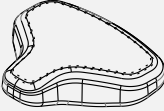
- BLACK
- BLUE
- CANDY APPLE RED
- CHARCOAL
- DIAMOND WHITE
- ELECTRIC BLUE
- ICE BLUE METALLIC
- MIDNIGHT METALLIC
- MOCHA SAND
- NICKEL
- PLATINUM
- RED
- TITANIUM
- WHITE
- YELLOW
- CUSTOM

UPHOLSTERY OPTION

SINGLE STITCH



DOUBLE STITCH



UPHOLSTERY COLOR OPTION

- AMERICAN BEAUTY RED
- AZURE
- BLACK
- BLACK CARBON FIBER
- BURGUNDY
- CANDLY APPLE RED
- CHESTNUT
- CONCORD
- CRANBERRY
- CROCUS
- DARK WALNUT
- DOVE GRAY
- EMERALD
- GRAPHITE
- GROTTO
- GUN METAL
- HUNTER GREEN
- IMPERIAL BLUE
- JADE
- NAVY
- NORTHWOODS GREEN
- PAPRIKA
- PLUM
- PUTTY
- REGIMENTAL BLUE
- ROYAL BLUE
- SLATE
- SPACE BLUE
- SUEDE
- TERRA COTTA
- TURQUOISE
- WHEAT
- CUSTOM

LANGUAGE OPTION

SELECT LANGUAGE

- 01 ENGLISH
- 02 GERMAN
- 03 FRENCH
- 04 SPANISH
- 05 ITALIAN
- 06 DUTCH
- 07 JAPANESE
- 08 PORTUGUESE
- 10 RUSSIAN
- 11 TURKISH
- 12 CHINESE
- 13 ARABIC

WEIGHT STACK OPTION

- T - BASE STACK
- C - LIGHT STACK
- X - HEAVY STACK

POUNDS

KILOGRAMS

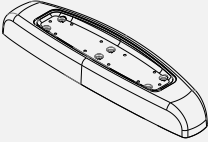

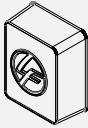
SHROUD WRAP OPTION

- BAMBOO
- BLACK CARBON FIBER
- BRONZE
- FULL SHROUD
- PREMIUM STAINLESS STEEL
- ROSEWOOD
- SKY
- STAINLESS STEEL
- STEM
- CUSTOM

TRIM OPTION

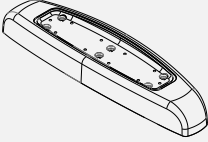

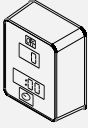
S

PLASTIC TOWER CAP
STANDARD GRIP
NO REP COUNTER

L

PAINTED CAST TOWER CAP
ERGO GRIP
REP COUNTER

KEY

LANGUAGE 1 2 3

Items with Black call-outs require the last two digits (XX) to be replaced with language codes listed above. IE: 12345XX should be 1234501 for English.

UPHOLSTERY 1 2 3

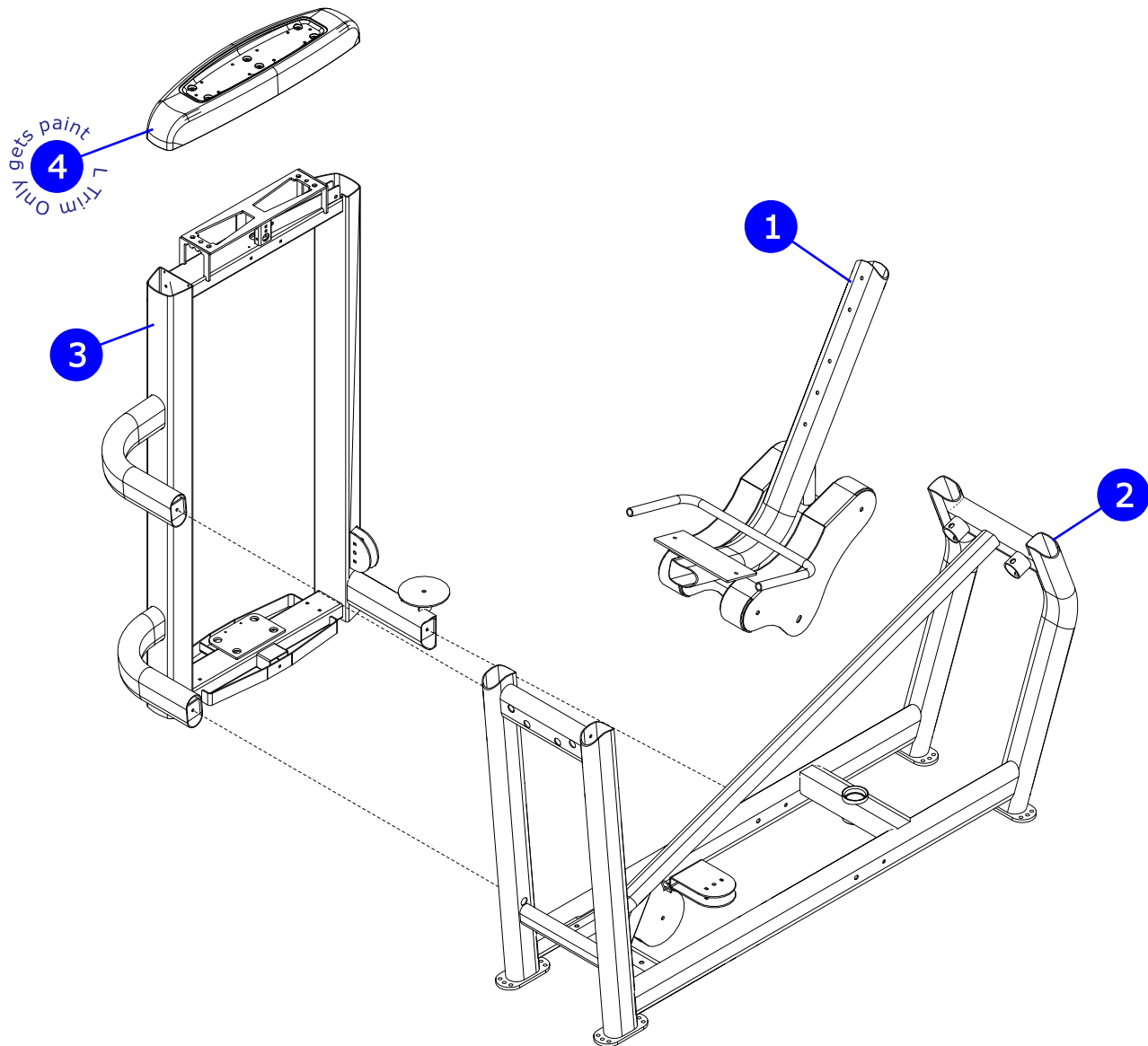
Items with Gray call-outs require the upholstery color within the order notes. IE: Putty.

FRAME COLOR 1 2 3

Items with Blue call-outs require the powder coat frame color to be within the order notes.

Insignia Series Seated Leg Press

Powder Coat Painted Frame Weldments

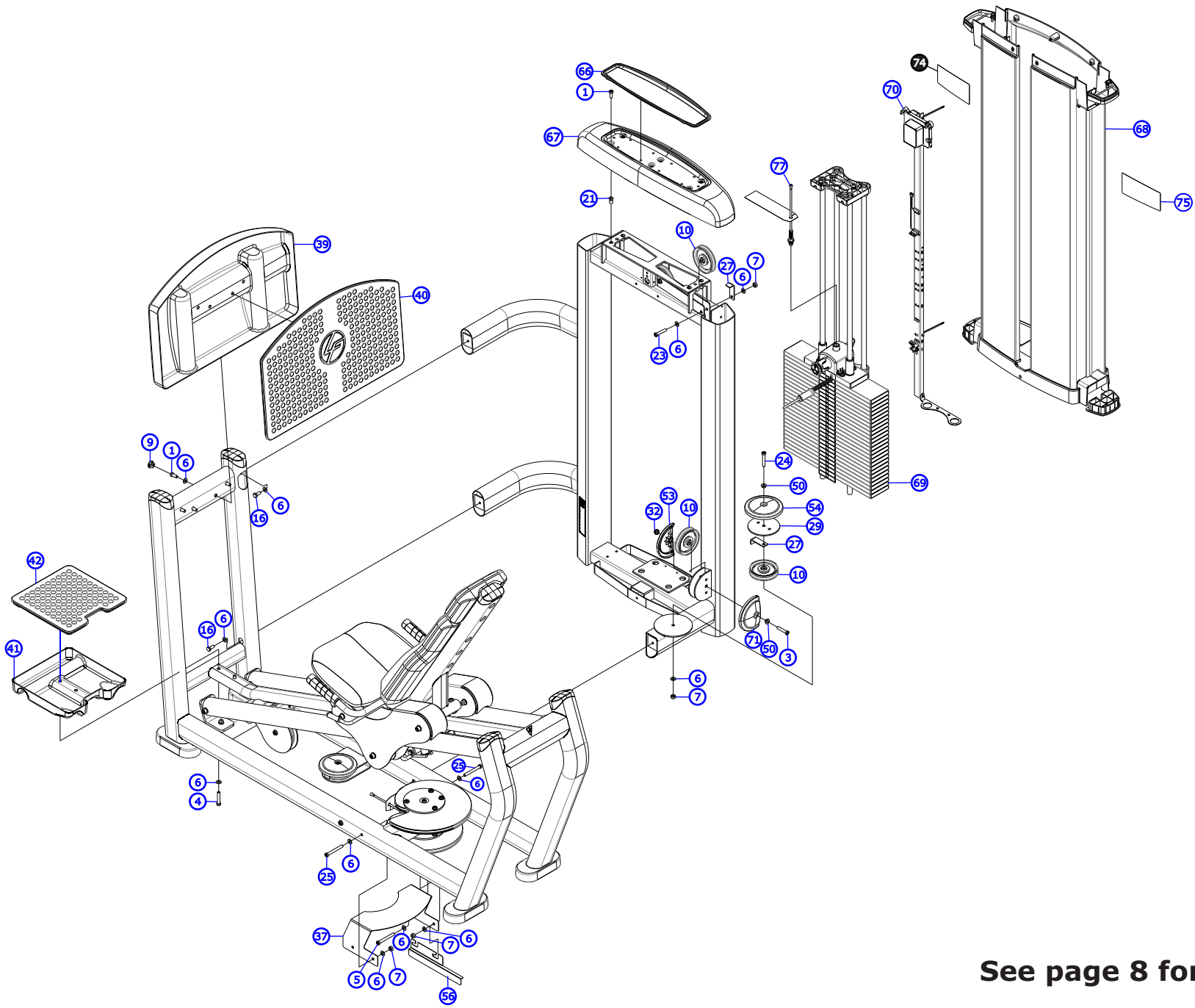


ITEM NO.	QTY.	PART NO.	DESCRIPTION	TRIM LEVEL	
1	1	7408199	WLDMT, FZSLP-SEAT	S	L
2	1	POSSIBLE RMA	WLDMT, SS-SLP FRAME	S	L
3	1	POSSIBLE RMA	WLDMT, SS-SLP HIGH TOWER	S	L
4	1	9412699	CAP, SS, CAST	-	L

ITEMS ON THIS PAGE ARE POWDER COAT PAINTED. REFER TO PAGE 3 FOR ORDERING INSTRUCTIONS.

Insignia Series Seated Leg Press

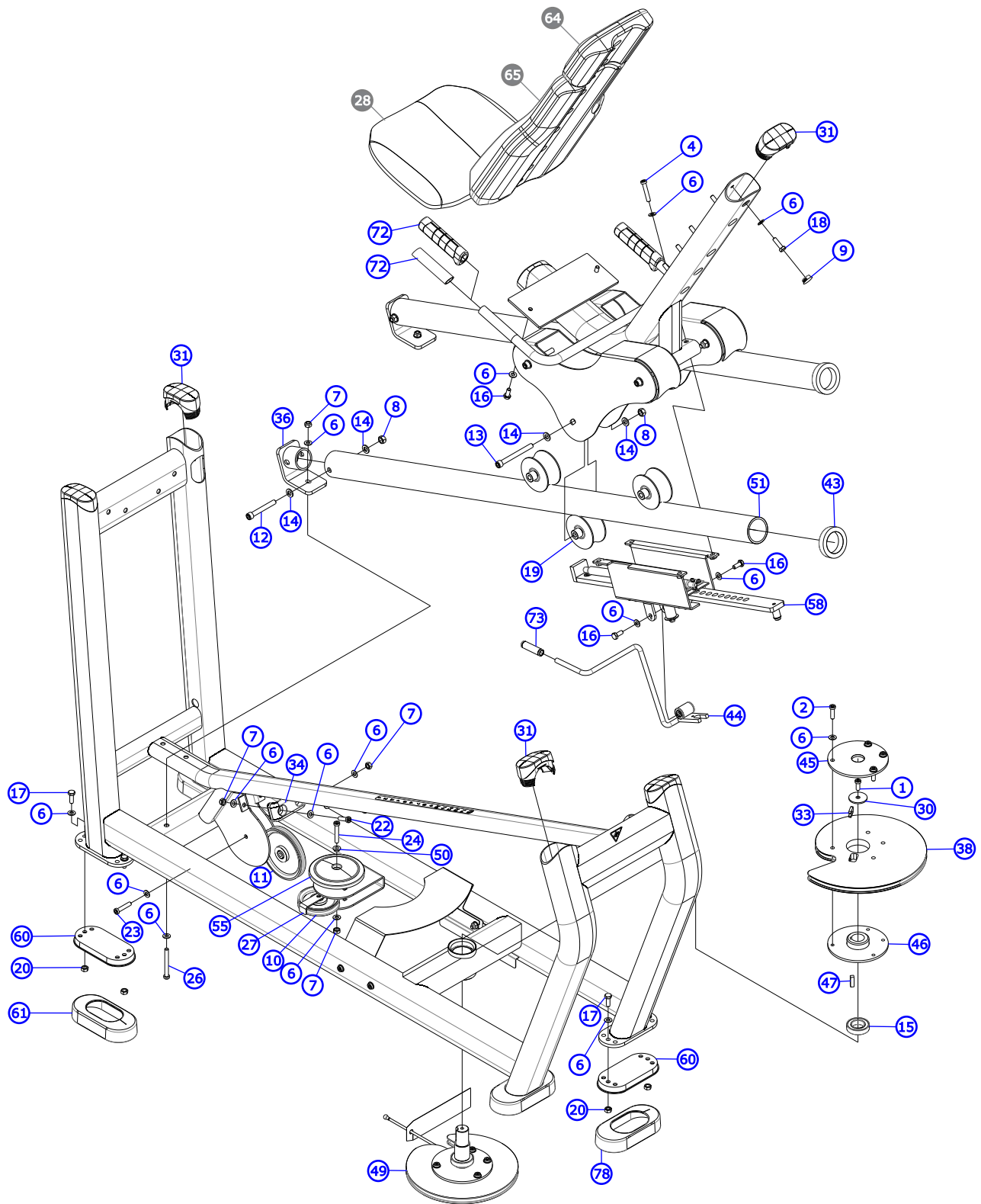
Component Assembly



See page 8 for table

Insignia Series Seated Leg Press

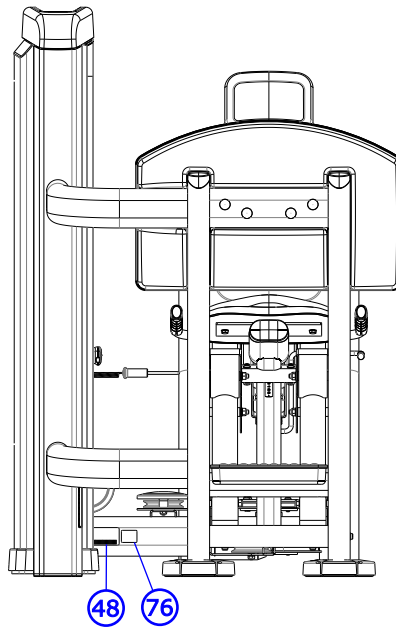
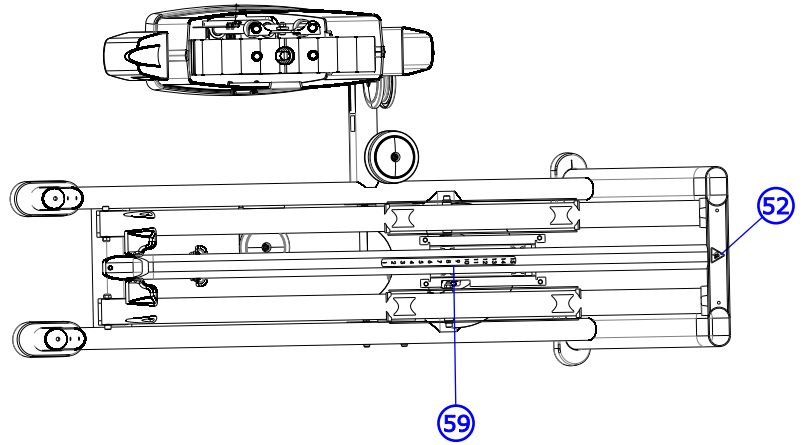
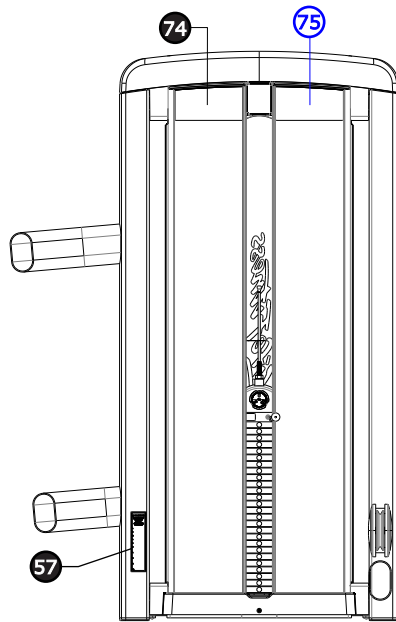
Carriage Components



See page 8 for table

Insignia Series Seated Leg Press

Labels



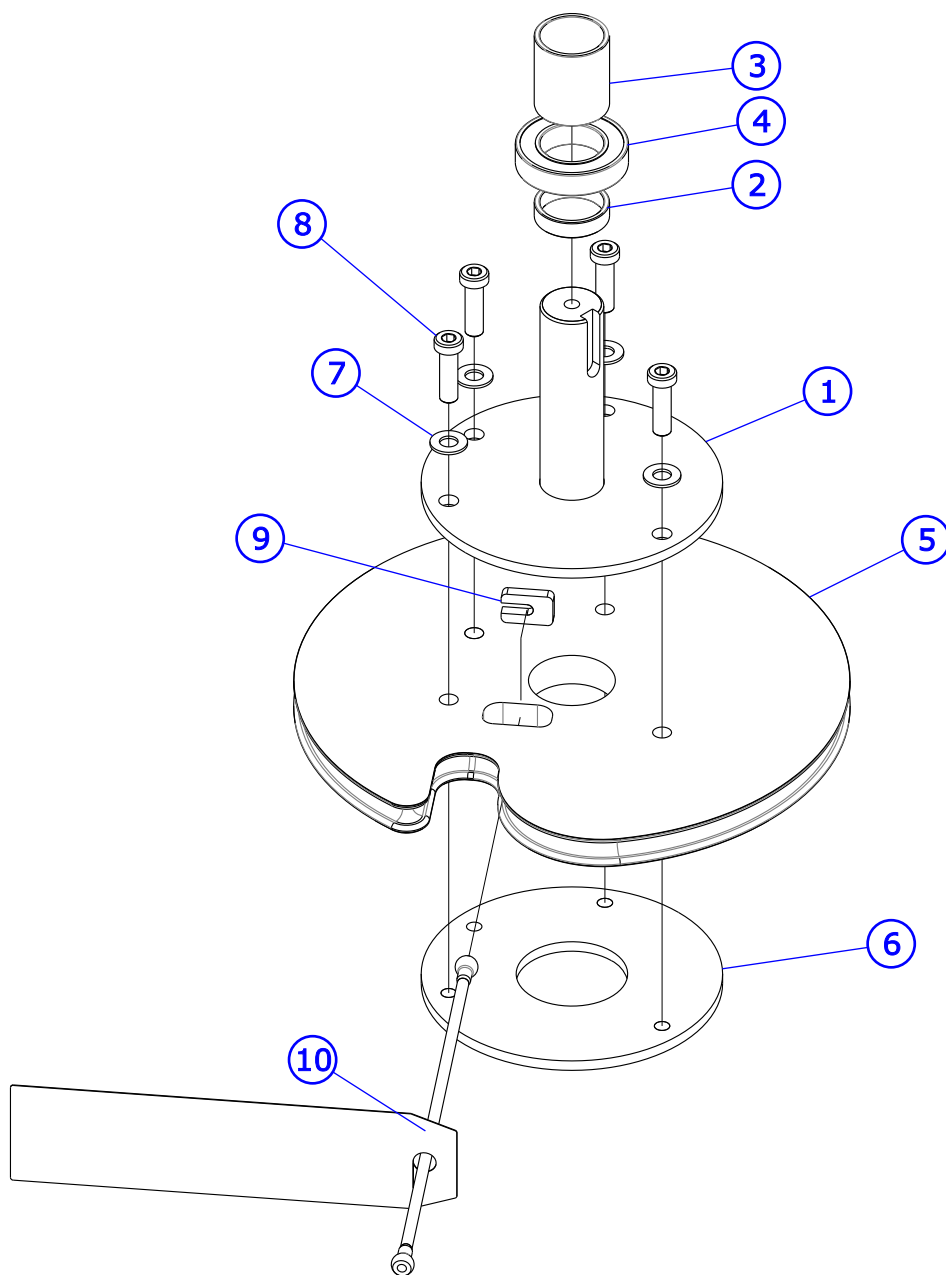
See page 8 for table

Insignia Series Seated Leg Press Table

ITEM NO.	QTY.	PART NO.	DESCRIPTION	TRIM LEVEL	
1	9	3236202	SCREW, M10 X1.5 25MM	S	L
2	4	3236204	SCREW, M10 X1.5 35MM	S	L
3	1	3236207	SCREW, M10 X1.5 50MM	S	L
4	6	3236208	SCREW, M10 X1.5 55MM	S	L
5	1	3236214	SCREW, M10 X1.5 85MM	S	L
6	56	3236601	WASHER, 3/8 SAE SS	S	L
7	12	3236801	NUT, M10 HEX NYLOCK SS	S	L
8	8	3236803	NUT, M12 HEX NYLOCK SS	S	L
9	9	3237407	PLUG, 1" HOLE	S	L
10	5	3237802	PULLEY, 4.5" OD	S	L
11	1	3239601	PULLEY, 6" OD x 10MM ID	S	L
12	2	3241315	SCREW, M12 X1.75 90MM	S	L
13	6	3241320	SCREW, M12 X1.75 120MM	S	L
14	16	3241401	WASHER, FLAT 12MM SS	S	L
15	1	3243201	BEARING, 6007 BALL	S	L
16	6	3251202	SCREW, M10 X1.5 X 25MM UNS HEX CS ST ZN	S	L
17	8	3251203	SCREW, M10 X1.5 X 30MM UNS HEX CS ST ZN	S	L
18	5	3251204	SCREW, M10 X1.5 X 35MM UNS HEX CS ST ZN	S	L
19	6	3251502	ROLLER ASSY	S	L
20	8	3254703	NUT, M10 X 1.5 HEX ZINC	S	L
21	4	3275401	M10X1.5 BLIND THREADED INSERT (HEX) -HVY	S	L
22	2	3275504	SCREW, M10 X 1.5 X 35 SHCS, LOW HEAD -NO PATCH	S	L
23	3	3275507	SCREW, M10 X 1.5 X 50 SHCS, LOW HEAD -NO PATCH	S	L
24	2	3275509	SCREW, M10 X 1.5 X 60 SHCS, LOW HEAD -NO PATCH	S	L
25	3	3275514	SCREW, M10 X 1.5 X 85 SHCS, LOW HEAD -NO PATCH	S	L
26	2	3275515	SCREW, M10 X 1.5 X 90 SHCS, LOW HEAD -NO PATCH	S	L
27	4	6757701	CLIP, CABLE 2-7/8 X 1 X 1	S	L
28	1	7297201	PAD, LARGE CHAIR BLK, SNGL STITCH	S	L
		1000000-0099	PAD, LARGE CHAIR CUS, SNGL STITCH	S	L
		1000000-0101	PAD, LARGE CHAIR BLK, DBL STITCH	S	L
		1000000-0199	PAD, LARGE CHAIR CUS, DBL STITCH	S	L
29	1	7318201	PLATE, PULLEY	S	L
30	1	8722528	PLATE, SPL STEEL COVER - CHR	S	L
31	6	7333902	CAP, LARGE FLOV- END	S	L
32	1	7335401	NUT, M10 X 1.5 SOCKET HEAD	S	L
33	1	7342201	PLATE, CABLE END	S	L
34	1	7352002	BUMPER, 2-1/8 X 4-5/8	S	L
36	2	7408828	WLDMT, SS-SLP RAIL BRKT -CHR	S	L
37	1	7409828	SHIELD, SS-SLP CAM -CHR	S	L
38	1	7414502	CAM, FZ/PS-SLP OBLONG	S	L
39	1	7429502	COVER,FZSLP-FT. PLATE	S	L
40	1	7429602	FOOT PLATE, OVERMOLDED	S	L
41	1	7438202	COVER,FZSLP-STEP	S	L
42	1	7438302	STEP PLATE,FZSLP- OVERMOLDED	S	L
43	2	7444602	BUMBER, DONUT	S	L
44	1	SEE PAGE 11	ASSY, SS-SLP SEAT HANDLE -CHR	S	L
45	1	7511228	PLATE, SS-SLP TORQUE -CHR	S	L
46	1	7511328	WLDMT, SS-SLP HUB -CHR	S	L
47	1	7511601	KEY, .375 SQUARE X 1.25	S	L
48	1	-	LABEL, SERIAL NUMBER, BLANK	S	L
49	1	SEE PAGE 9	ASSY, SS-SLP RND CAM -CHR	S	L
50	3	7630101	RETAINER, CM/MJ, PULLEY	S	L
51	2	7961101	TUBE, RAIL	S	L
52	1	8039501	LABEL, WARNING, TRIANGLE	S	L
53	1	8094102	COVER, PULLEY-BOLTED PARTIAL -CHGR	S	L
54	1	8102902	COVER, PULLEY-BOLTED FULL	S	L
55	1	8104502	COVER, PULLEY-BOLTED NOTCHED	S	L
56	1	8161128	BRKT, SS-SLP CABLE RETAINER -CHR	S	L
57	1	8220099	LABEL, ASTM WARNING SELECT	S	L
58	1	SEE PAGE 10	ASSY, SS-SLP SEAT ADJ -CHR	S	L
59	1	9132602	LABEL, 1-15 STRAIGHT	S	L
60	4	9319301	FOOT, 2.50 X 4.49 FLOV	S	L
61	2	9319401	COVER, FOOT - STRAIGHT	S	L
64	1	1000017-0001	PAD, HEAD REST BLK, SNGL STITCH	S	L
		1000017-0099	PAD, HEAD REST CUS, SNGL STITCH	S	L
		1000017-0101	PAD, HEAD REST BLK, DBL STITCH	S	L
		1000017-0199	PAD, HEAD REST CUS, DBL STITCH	S	L
65	1	1000018-0001	PAD, LARGE BACK BLK, SNGL STITCH	S	L
		1000018-0099	PAD, LARGE BACK CUS, SNGL STITCH	S	L
		1000018-0101	PAD, LARGE BACK BLK, DBL STITCH	S	L
		1000018-0199	PAD, LARGE BACK CUS, DBL STITCH	S	L
66	1	9411201	TRAY, TOWER TOP CAP	S	L
67	1	9412601	CAP, TOWER -TOP (PAINTED)	-	S
		9436701	CAP, TOWER, TOP, PLASTIC (NON-PAINTED)	S	-
		SEE PAGE 12	ASSY, SS TOWER PLASTICS	S	L
69	1	SEE PAGE 14	ASSY, SS-SLP, WGT STK, DIAL, HVY -25	S	L
70	1	SEE PAGE 19	ASSY, SS, COUNTER -TLL	S	L
71	1	9450002	COVER, PULLEY-BOLTED PARTIAL	S	L
72	2	SEE PAGE 19	ASSY, ERGO GRIP	-	S
		SEE PAGE 19	ASSY, STD GRIP - 6.5 x 1.25 OD	S	-
73	1	9461503	HANDLE, REMOTE	S	L
74	1	9466099	LABEL, SS-SLP PLACARD, LH	S	L
75	1	9477601	LABEL, SS-SLP PLACARD, RH	S	L
76	1	9488901	LABEL, INSIGNIA, FCC	S	L
77	1	SEE PAGE 14	CABLE, SS-SLP-1 -DIAL	S	L
78	2	9461401	COVER, FOOT - 20 deg	S	L

Insignia Series Seated Leg Press

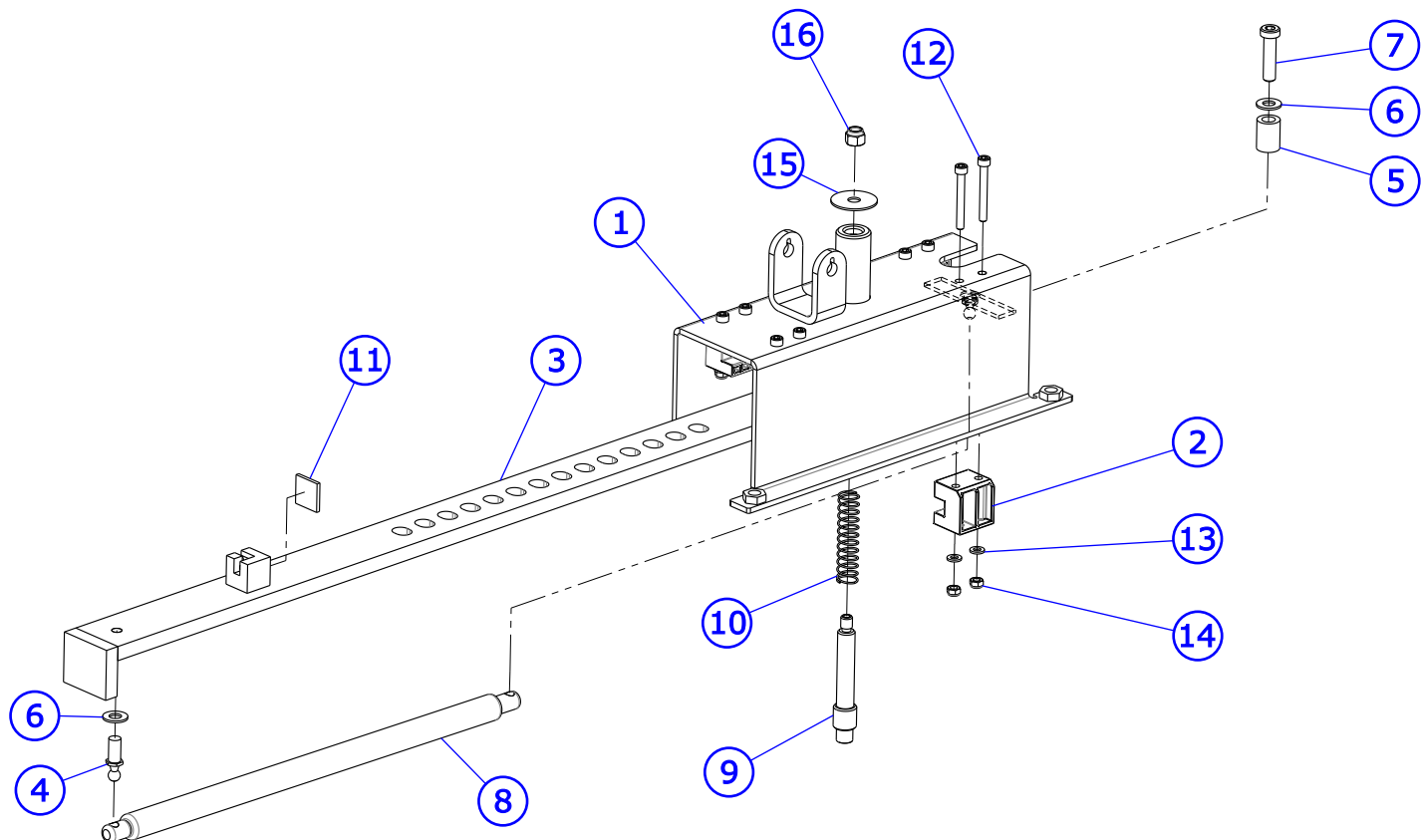
Lower Cam Assembly



ITEM NO.	QTY.	PART NO.	DESCRIPTION
1	1	7511428	WLDMT, FZ/PS-SLP CAM SHAFT CHR
2	1	7511501	SPACER, FZ/PS INTERNAL .403
3	1	7511502	SPACER, FZ/PS INTERNAL 1.845
4	1	3243201	BEARING, 6007 BALL
5	1	7414402	CAM, FZ/PS-SLP RND
6	1	7511128	PLATE, FZ/PS-SLP CAM THRD CHR
7	4	3236601	WASHER, 3/8 SAE SS
8	4	3236204	SCREW, M10 X1.5 35MM
9	1	7342201	PLATE, CABLE END
10	1	9496101	CABLE, SS-SLP-2

Insignia Series Seated Leg Press

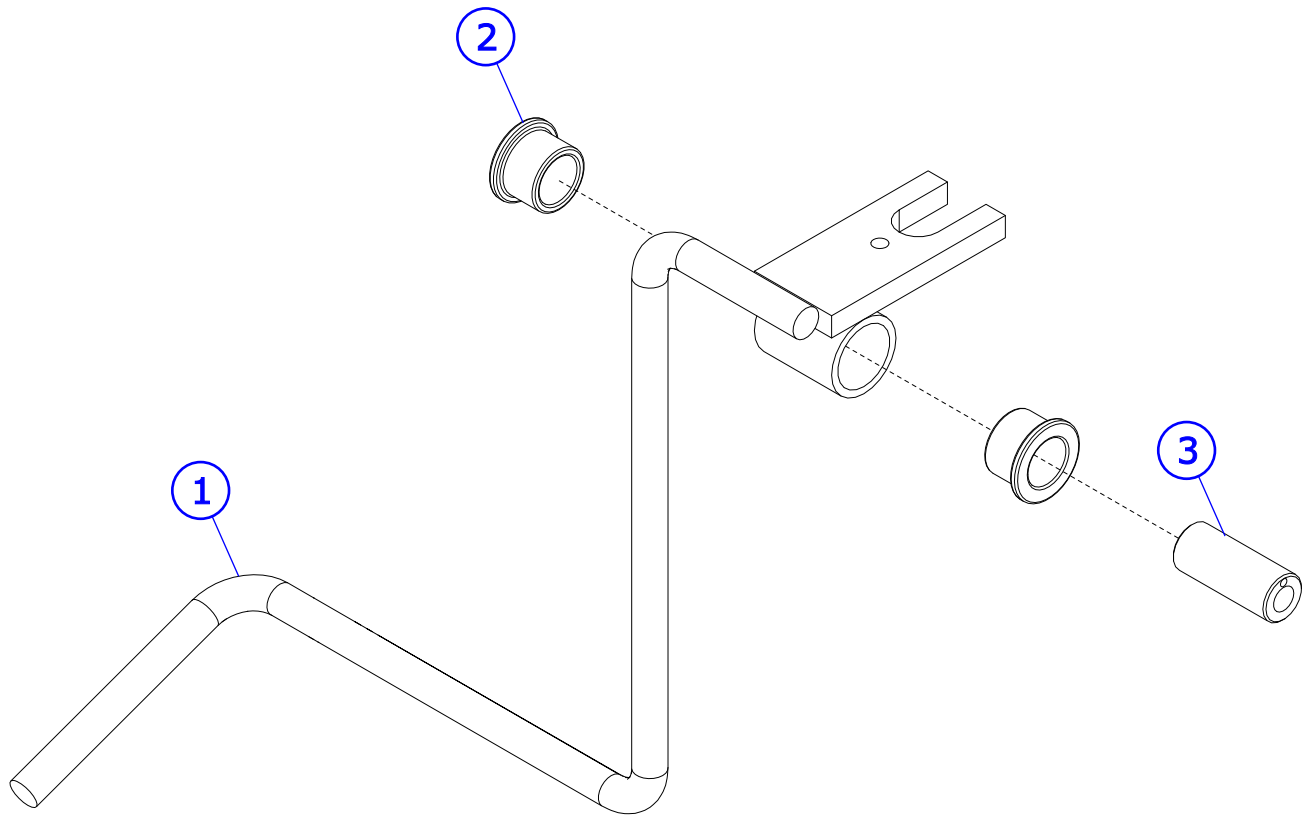
Seat Adjustment Assembly



ITEM NO.	QTY.	PART NUMBER	DESCRIPTION
1	1	9064428	WLDMT, FZ/PS-SLP SEAT ADJ CHR
2	4	7778501	BLOCK, FZ/PS-SLP DELRIN
3	1	9064301	WLDMT, FZ/PS-SPL ADJ
4	1	7414301	STUD, M10 BALL END M10 X 1.5
5	1	7354301	SPACER, 7/16 ID X .75 OD X 1
6	2	3236601	WASHER, 3/8 SAE SS
7	1	3236205	SCREW, M10 X1.5 40MM
8	1	3272301	SPRING, GAS 135N - 350MM
9	1	7351301	PIN, PULL X 4.375
10	1	7351501	SPRING, PULL PIN LARGE
11	1	6140701	GLIDE 1 X 1
12	8	3241707	SCREW, M6 X1 50MM
13	8	3241801	WASHER, FLAT 6MM SS
14	8	3236802	NUT, M6 HEX NYLOCK SS
15	1	3236701	WASHER, FENDER 3/8" ID X 1.5" OD SS
16	1	3102802	NUT, NYLOCK 3/8-16

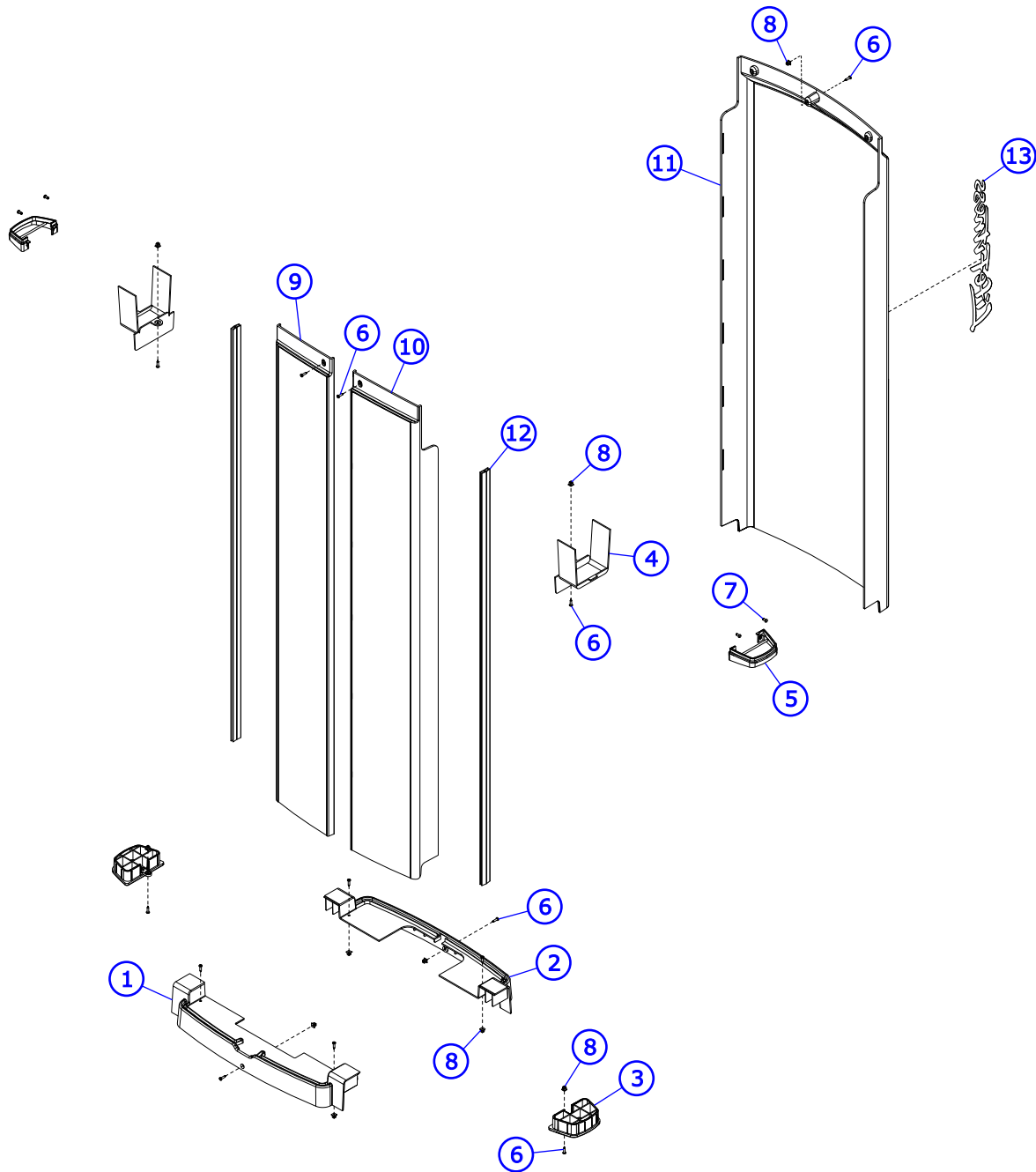
Insignia Series Seated Leg Press

Seat Handle Assembly



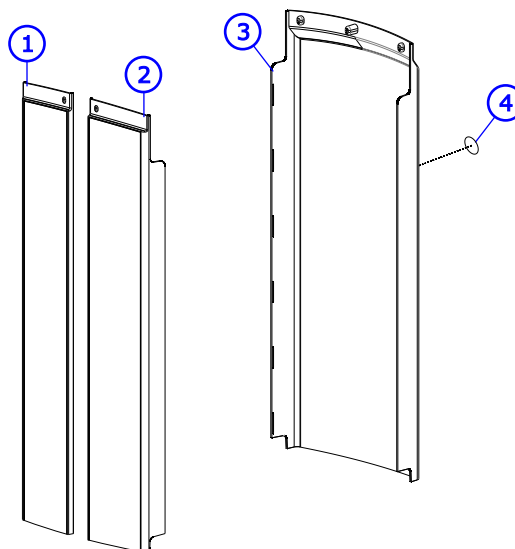
ITEM NO.	QTY.	PART NO.	DESCRIPTION
1	1	7412228	WLDMT, SS-SLP LEVER - CHR
2	2	3104901	BEARING, FLG .75 ID X 1.00 OD
3	1	7324802	SHAFT, TAPPED 0.75 DIA X 1.80

Insignia Series Seated Leg Press Tower Plastics



ITEM NO.	QTY.	PART NO.	DESCRIPTION
1	1	9410801	COVER, TOWER BOTTOM -FRONT
2	1	9411001	COVER, TOWER BOTTOM -REAR
3	2	9412701	ASSY, TRAP TUBE, CAP, BOTTOM
4	2	9415701	COVER, UPPER CROSS MEMBER
5	2	9415801	GASKET, TRAP TUBE
6	13	3275801	SCREW, 8 X 3/4 DIN PHL PAN AB ST ZB
7	4	0017-00101-1587	RVT 201X0413X.354 T NY NO
8	11	0017-00042-1147	GROMMET: SCREW; 8 OR 10
9	1	9410602	SHROUD, TOWER FRONT, LT - LONG
10	1	9410702	SHROUD, TOWER FRONT, RT - LONG
11	1	9411102	SHROUD, TOWER REAR - LONG
12	2	9414602	SHROUD EXTRUSION - LONG
13	1	9489101	LABEL, LIFE FITNESS

Insignia Series Seated Leg Press Shroud Wraps



BAMBOO	DATE MADE	SERIAL #	ITEM	QTY.	PART NO.	DESCRIPTION
	1/1/2015 - 3/31/2016	PRIOR TO SS-XX0416001	1	1	9511822	SHROUD, SS, FNT, LT, TLL-BAM
			2	1	9511722	SHROUD, SS, FNT, RT, TLL-BAM
			3	1	9511922	SHROUD, SS, REAR, TLL-BAM
	4/01/2016 - PRESENT	ON OR AFTER SS-XX0416001	1	1	1003204-0022	SHROUD, SS, FNT, LT, TLL, ABS-BAM
			2	1	1003203-0022	SHROUD, SS, FNT, RT, TLL, ABS-BAM
			3	1	1003205-0022	SHROUD, SS, REAR, TLL, ABS-BAM

SKY	DATE MADE	SERIAL #	ITEM	QTY.	PART NO.	DESCRIPTION
	1/1/2015 - 3/31/2016	PRIOR TO SS-XX0416001	1	1	9511823	SHROUD, SS, FNT, LT, TLL-SKY
			2	1	9511823	SHROUD, SS, FNT, RT, TLL-SKY
			3	1	9511923	SHROUD, SS, REAR, TLL-SKY
	4/01/2016 - PRESENT	ON OR AFTER SS-XX0416001	1	1	1003204-0023	SHROUD, SS, FNT, LT, TLL, ABS-SKY
			2	1	1003203-0023	SHROUD, SS, FNT, RT, TLL, ABS-SKY
			3	1	1003205-0023	SHROUD, SS, REAR, TLL, ABS-SKY

BRONZE	DATE MADE	SERIAL #	ITEM	QTY.	PART NO.	DESCRIPTION
	1/1/2015 - 3/31/2016	PRIOR TO SS-XX0416001	1	1	9511824	SHROUD, SS, FNT, LT, TLL-BRZ
			2	1	9511724	SHROUD, SS, FNT, RT, TLL-BRZ
			3	1	9511924	SHROUD, SS, REAR, TLL-BRZ
	4/01/2016 - PRESENT	ON OR AFTER SS-XX0416001	1	1	1003204-0024	SHROUD, SS, FNT, LT, TLL, ABS-BRZ
			2	1	1003203-0024	SHROUD, SS, FNT, RT, TLL, ABS-BRZ
			3	1	1003205-0024	SHROUD, SS, REAR, TLL, ABS-BRZ

STEM	DATE MADE	SERIAL #	ITEM	QTY.	PART NO.	DESCRIPTION
	1/1/2015 - 3/31/2016	PRIOR TO SS-XX0416001	1	1	9511825	SHROUD, SS, FNT, LT, TLL-STM
			2	1	9511725	SHROUD, SS, FNT, RT, TLL-STM
			3	1	9511925	SHROUD, SS, REAR, TLL-STM
	4/01/2016 - PRESENT	ON OR AFTER SS-XX0416001	1	1	1003204-0025	SHROUD, SS, FNT, LT, TLL, ABS-STM
			2	1	1003203-0025	SHROUD, SS, FNT, RT, TLL, ABS-STM
			3	1	1003205-0025	SHROUD, SS, REAR, TLL, ABS-STM

ROSEWOOD	DATE MADE	SERIAL #	ITEM	QTY.	PART NO.	DESCRIPTION
	1/1/2015 - 3/31/2016	PRIOR TO SS-XX0416001	1	1	9511826	SHROUD, SS, FNT, LT, TLL-RSW
			2	1	9511726	SHROUD, SS, FNT, RT, TLL-RSW
			3	1	9511926	SHROUD, SS, REAR, TLL-RSW
	4/01/2016 - PRESENT	ON OR AFTER SS-XX0416001	1	1	1003204-0026	SHROUD, SS, FNT, LT, TLL, ABS-RSW
			2	1	1003203-0026	SHROUD, SS, FNT, RT, TLL, ABS-RSW
			3	1	1003205-0026	SHROUD, SS, REAR, TLL, ABS-RSW

STAINLESS STEEL	DATE MADE	SERIAL #	ITEM	QTY.	PART NO.	DESCRIPTION
	1/1/2015 - 3/31/2016	PRIOR TO SS-XX0416001	1	1	9511827	SHROUD, SS, FNT, LT, TLL-SS
			2	1	9511727	SHROUD, SS, FNT, RT, TLL-SS
			3	1	9511927	SHROUD, SS, REAR, TLL-SS
	4/01/2016 - PRESENT	ON OR AFTER SS-XX0416001	1	1	1003204-0027	SHROUD, SS, FNT, LT, TLL, ABS-SS
			2	1	1003203-0027	SHROUD, SS, FNT, RT, TLL, ABS-SS
			3	1	1003205-0027	SHROUD, SS, REAR, TLL, ABS-SS

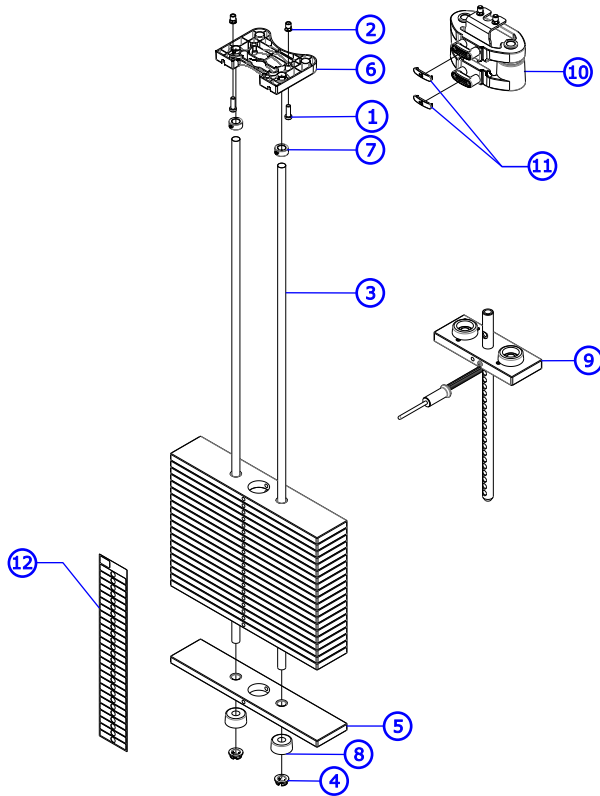
PREMIUM STAINLESS STEEL	DATE MADE	SERIAL #	ITEM	QTY.	PART NO.	DESCRIPTION
	4/01/2016 - PRESENT	ON OR AFTER SS-XX0416001	1	1	1003204-0028	SHROUD, SS, FNT, LT, TLL, ABS-PSS
			2	1	1003203-0028	SHROUD, SS, FNT, RT, TLL, ABS-PSS
			3	1	1003205-0028	SHROUD, SS, REAR, TLL, ABS-PSS

PREMIUM BLACK CARBON FIBER	DATE MADE	SERIAL #	ITEM	QTY.	PART NO.	DESCRIPTION
	4/01/2016 - PRESENT	ON OR AFTER SS-XX0416001	1	1	1003204-0029	SHROUD, SS, FNT, LT, TLL, ABS-PBCF
			2	1	1003203-0029	SHROUD, SS, FNT, RT, TLL, ABS-PBCF
			3	1	1003205-0029	SHROUD, SS, REAR, TLL, ABS-PBCF

4	1	AK58-00245-2401	MEDALLION-ASSY;LF-BUG B
---	---	-----------------	-------------------------

Insignia Series Seated Leg Press Weight Stack Assemblies

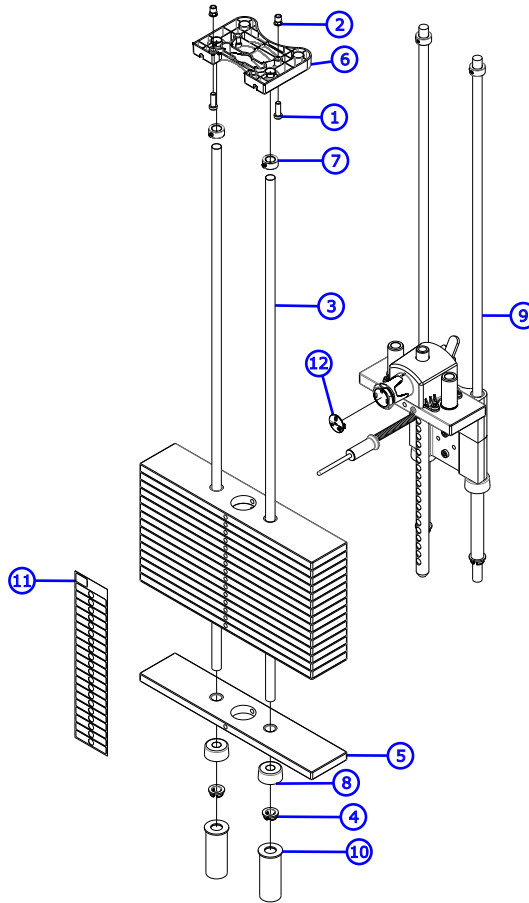
T - Base



Uses 9496202 Cable (138.5")

ITEM NO.	QTY.	PART NO.	DESCRIPTION
1	2	3236203	SCREW, M10 X1.5 30MM
2	2	3238601	M10X1.5 BLIND THREADED INSERT (HEX)
3	2	7328624	GUIDE ROD, .75 OD SOLID 56.92
4	2	7337901	BUSHING, GUIDE ROD
5	21	9407601	WGT PL, 3/4IN X 4IN, 15 LB
6	1	9412801	RETAINER, GUIDE ROD - TOP
7	2	3103301	SHAFT COLLAR, 3/4 IN ID
8	2	7352101	CUSHION, WEIGHT STACK
9	1	SEE PAGE 15	HEAD PLATE ASSY
10	1	SEE PAGE 15	INCREMENTAL WEIGHTS
11	2	9462303	CAP, DD INC WGT, YEL -LBS
		9462403	CAP, DD INC WGT, YEL -KG
		9475101	LABEL, 3/4 IN WGT STACK, 385 LB
12	1	9475401	LABEL, 3/4 IN WGT STACK, 192.5 KG

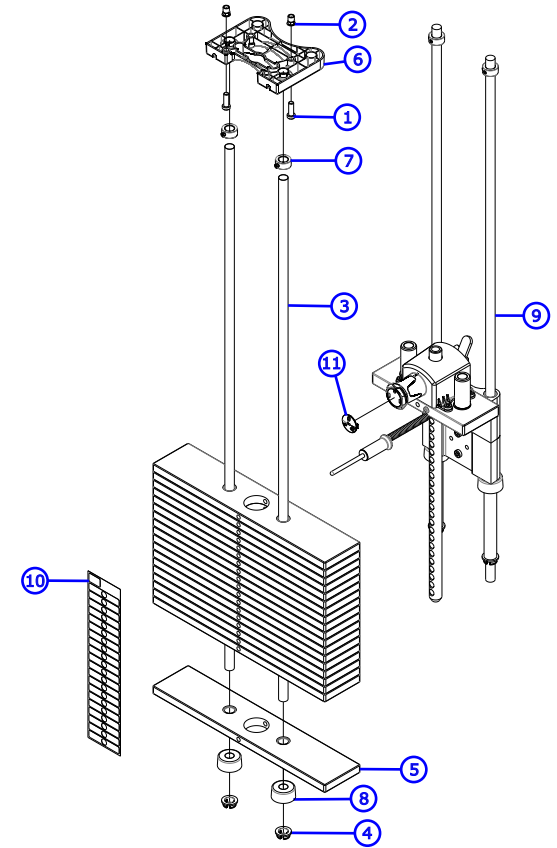
C - Light



Uses 9496201 Cable (135.5")

ITEM NO.	QTY.	PART NO.	DESCRIPTION
1	2	3236203	SCREW, M10 X1.5 30MM
2	2	3238601	M10X1.5 BLIND THREADED INSERT (HEX)
3	2	7328624	GUIDE ROD, .75 OD SOLID X 56.92
4	2	7337901	BUSHING, GUIDE ROD
5	21	9407601	WGT PL, 3/4IN X 4IN, 15 LB
6	1	9412801	RETAINER, GUIDE ROD - TOP
7	2	3103301	SHAFT COLLAR, 3/4 IN ID
8	2	7352101	CUSHION, WEIGHT STACK
9	1	SEE PAGE 17	HEAD PLATE/RODSASSY
10	2	9495913	WLDMT, WGT STK SPACER X 3.00 -CHR
11	1	9475101	LABEL, 3/4 IN WGT STACK, 385 LB
		9475401	LABEL, 3/4 IN WGT STACK, 192.5 KG
		9431403	CAP, SELECTOR KNOB -LBS
12	1	9450103	CAP, SELECTOR KNOB -KGS

X - Heavy



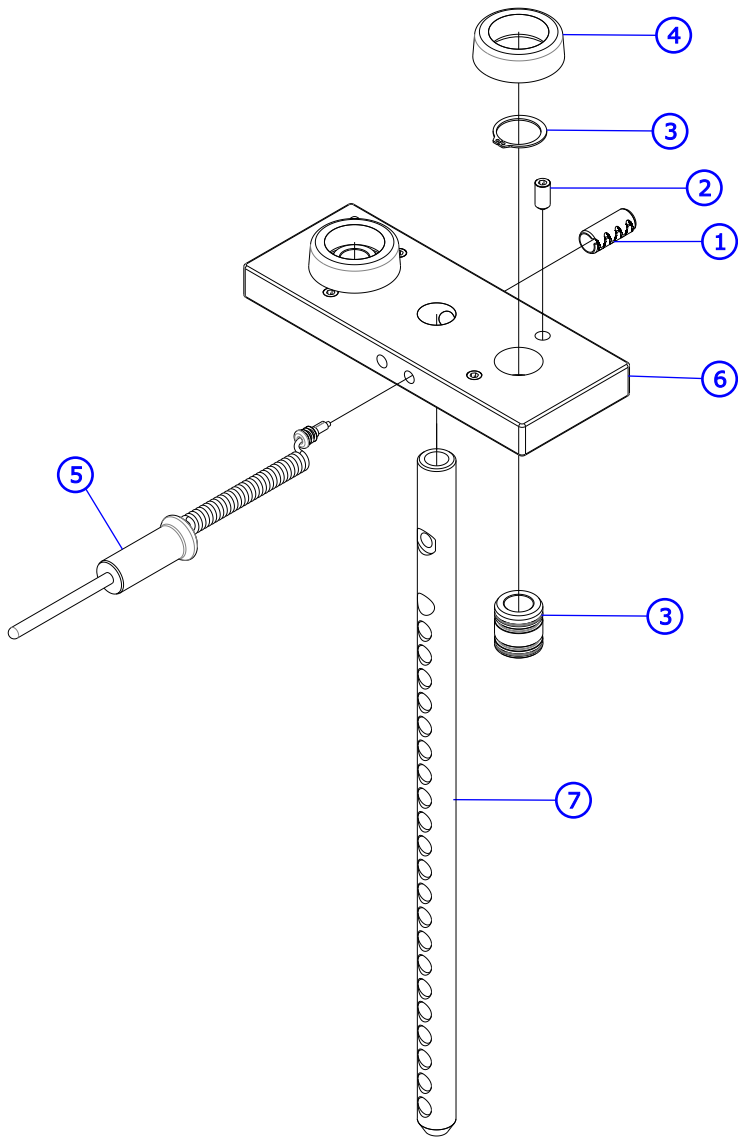
Uses 9496201 Cable (135.5")

ITEM NO.	QTY.	PART NO.	DESCRIPTION
1	2	3236203	SCREW, M10 X1.5 30MM
2	2	3238601	M10X1.5 BLIND THREADED INSERT (HEX)
3	2	7328624	GUIDE ROD, .75 OD SOLID X 56.92
4	2	7337901	BUSHING, GUIDE ROD
5	25	9407601	WGT PL, 3/4IN X 4IN, 15 LB
6	1	9412801	RETAINER, GUIDE ROD - TOP
7	2	3103301	SHAFT COLLAR, 3/4 IN ID
8	2	7352101	CUSHION, WEIGHT STACK
9	1	SEE PAGE 17	HEAD PLATE/RODSASSY
10	1	9475101	LABEL, 3/4 IN WGT STACK, 385 LB
		9475401	LABEL, 3/4 IN WGT STACK, 192.5 KG
		9431403	CAP, SELECTOR KNOB -LBS
11	1	9450103	CAP, SELECTOR KNOB -KGS

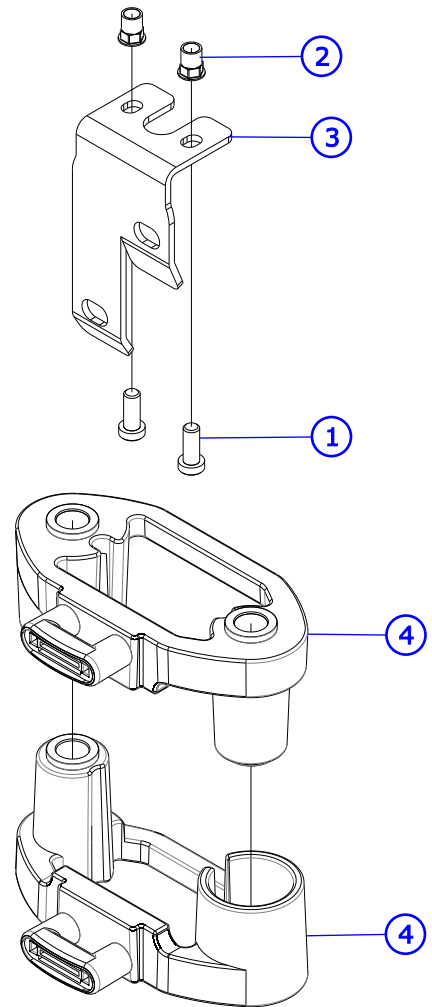
Insignia Series Seated Leg Press

T Trim Head Plate and Drop Down Increment Weights

T Trim



ITEM NO.	QTY.	PART NO.	DESCRIPTION
1	1	3236001	BUSHING, SPRING PIN
2	4	3240501	M10 X 1.5 HXS NO CUP ST BO
3	2	7338001	BUSHING, HEADPLATE
4	2	7767602	BUMPER, INCREMENT WT -BLK
5	1	1003679-0003	ASSY, WGT STK SELECTOR PIN -YELLOW
6	1	9427401	HEADPLATE, WT. STACK, 10LB
7	1	9434203	BAYONET, 21 PLATE

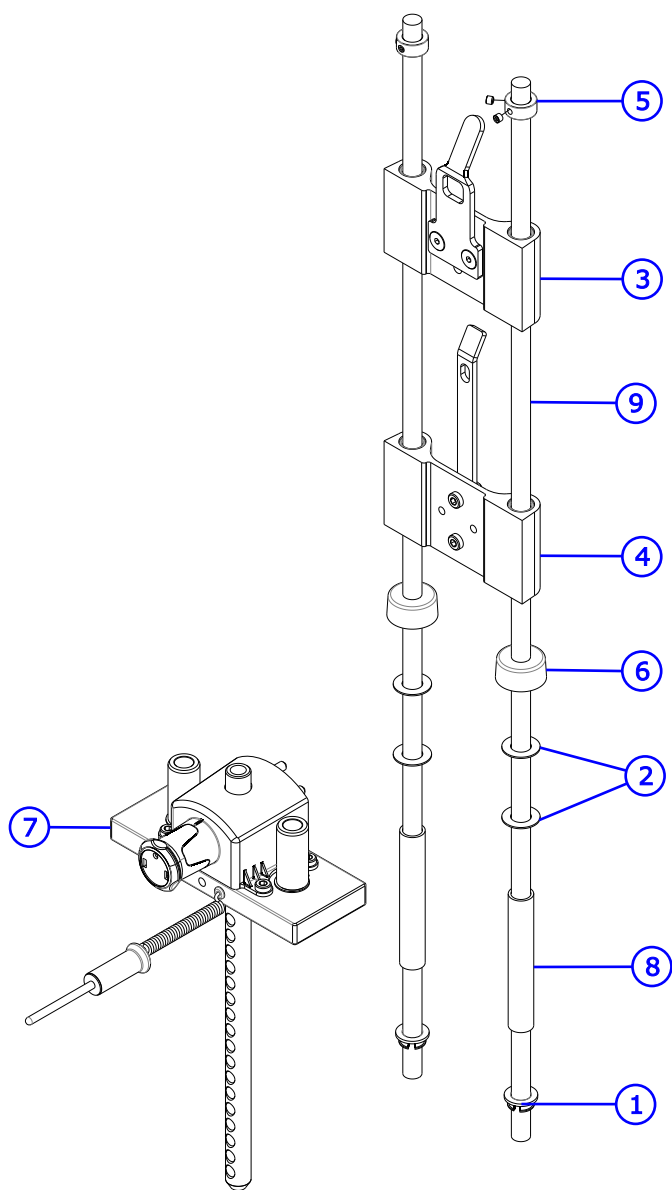


ITEM NO.	QTY.	PART NO.	DESCRIPTION
1	2	3236202	SCREW, M10 X1.5 25MM
2	2	3238601	M10X1.5 BLIND THREADED INSERT (HEX)
3	1	9430801	BRKT, INC WGT STRIKER
4	2	9455403	ASSY, DD INC WGT -YEL

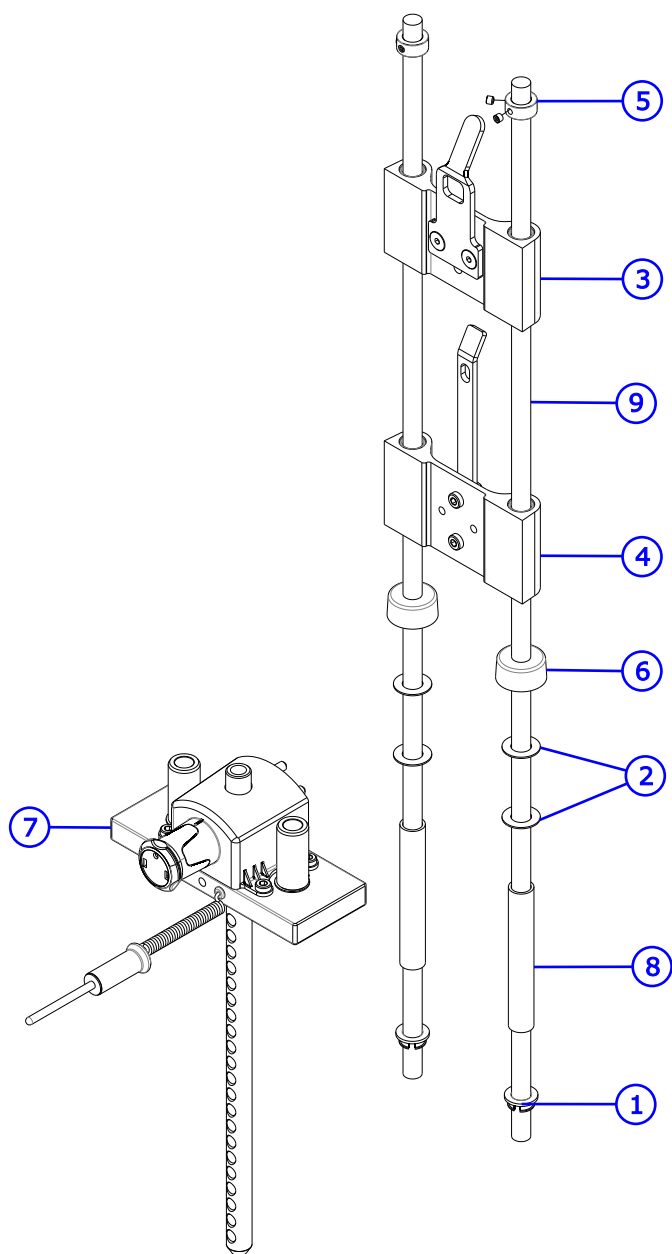
Insignia Series Seated Leg Press

C and X Trim Stack Components

C Trim



X Trim

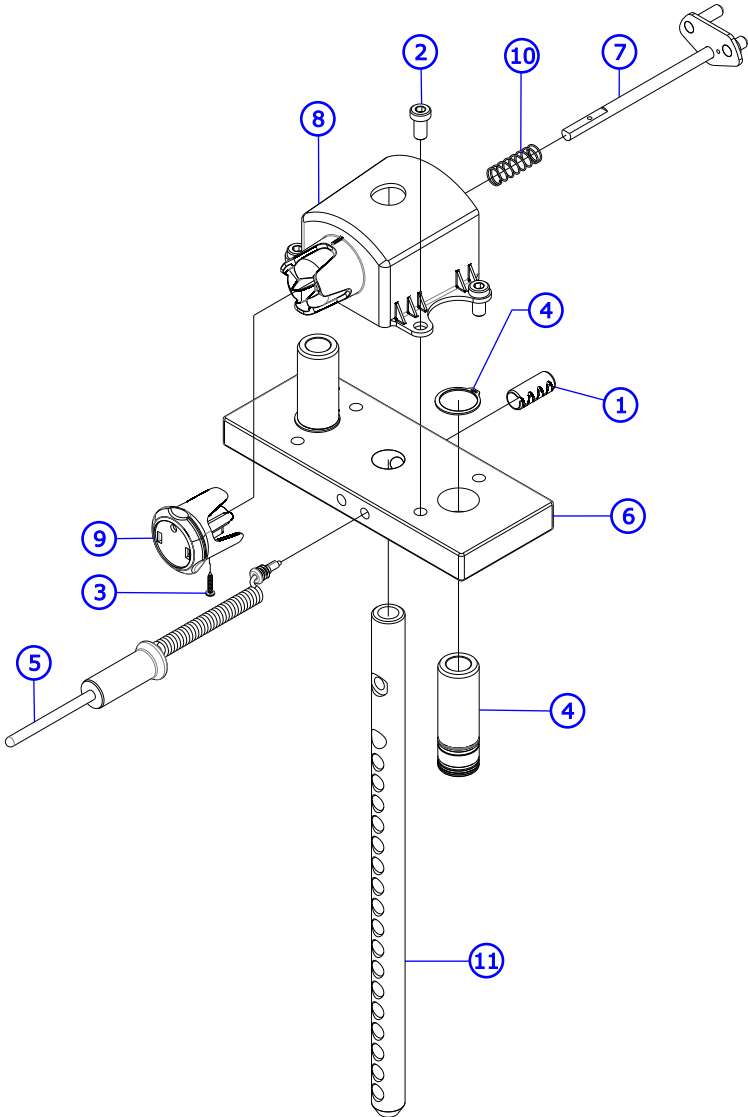


ITEM NO.	QTY.	PART NO.	DESCRIPTION
1	2	7337901	BUSHING, GUIDE ROD
2	4	7351001	SPACER, INC WT STACK
3	1	SEE PAGE 18	ASSY, INC WGT -5LB
4	1	SEE PAGE 19	ASSY, INC WGT -10LB
5	2	3103301	SHAFT COLLAR, 3/4 IN ID
6	2	7352101	CUSHION, WEIGHT STACK
7	1	SEE PAGE 17	ASSY, SS, HEAD PLATE, DIAL, STD -21
8	2	7328703	SPACER, INC WT STACK 25 PLATE
9	2	7328624	GUIDE ROD, .75 OD SOLID X 56.92

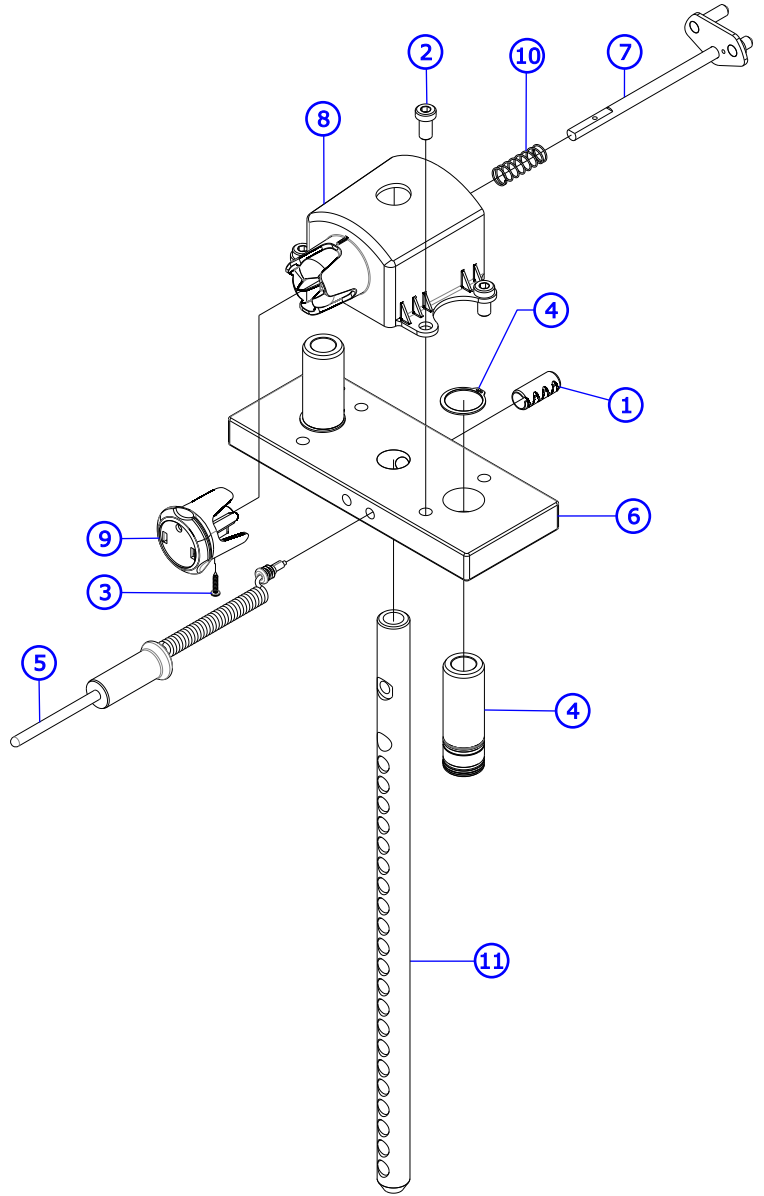
ITEM NO.	QTY.	PART NO.	DESCRIPTION
1	2	7337901	BUSHING, GUIDE ROD
2	4	7351001	SPACER, INC WT STACK
3	1	SEE PAGE 18	ASSY, INC WGT -5LB
4	1	SEE PAGE 19	ASSY, INC WGT -10LB
5	2	3103301	SHAFT COLLAR, 3/4 IN ID
6	2	7352101	CUSHION, WEIGHT STACK
7	1	SEE PAGE 17	ASSY, SS, HEAD PLATE, HVY -21
8	2	7328703	SPACER, INC WT STACK 25 PLATE
9	2	7328624	GUIDE ROD, .75 OD SOLID X 56.92

Insignia Series Seated Leg Press C and X Trim Head Plate Assemblies

C Trim



X Trim



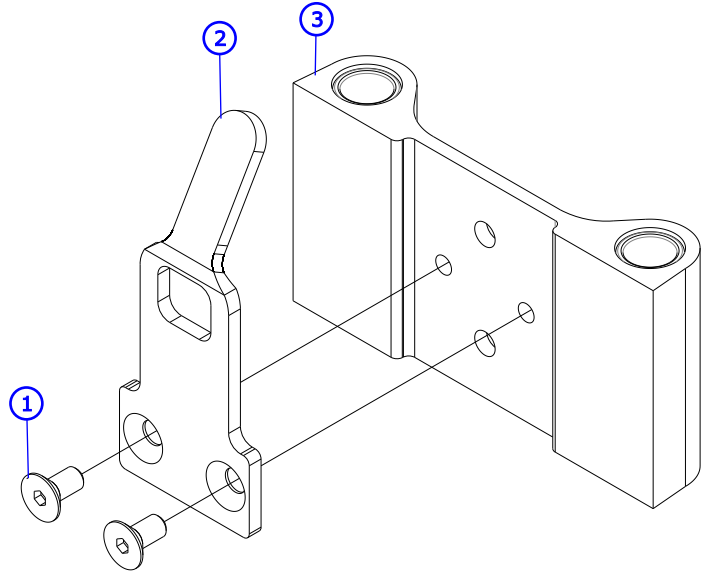
ITEM NO.	QTY.	PART NO.	DESCRIPTION
1	1	3236001	BUSHING, SPRING PIN
2	4	3236201	SCREW, M10 X1.5 20MM
3	1	3275601	SCREW, 6 X 3/4 DIN PHL PAN AB ST ZB
4	2	9296001	BUSHING, HEADPLATE, LONG
5	1	1003679-0003	ASSY, WGT STK SELECTOR PIN -YELLOW
6	1	9427401	HEADPLATE, WT. STACK, 10LB
7	1	9427501	WLDMT, INC WGT PIN
8	1	9430501	HSNG, INC WEIGHT
9	1	9443201	KNOB, INC WEIGHT
10	1	9443301	SPRING, INC WGT PIN
11	1	9434203	BAYONET, 21 PLATE

ITEM NO.	QTY.	PART NO.	DESCRIPTION
1	1	3236001	BUSHING, SPRING PIN
2	4	3236201	SCREW, M10 X1.5 20MM
3	1	3275601	SCREW, 6 X 3/4 DIN PHL PAN AB ST ZB
4	2	9296001	BUSHING, HEADPLATE, LONG
5	1	1003679-0003	ASSY, WGT STK SELECTOR PIN -YELLOW
6	1	9427401	HEADPLATE, WT. STACK, 10LB
7	1	9427501	WLDMT, INC WGT PIN
8	1	9430501	HSNG, INC WEIGHT
9	1	9443201	KNOB, INC WEIGHT
10	1	9443301	SPRING, INC WGT PIN
11	1	9426003	BAYONET, 25 PLATE

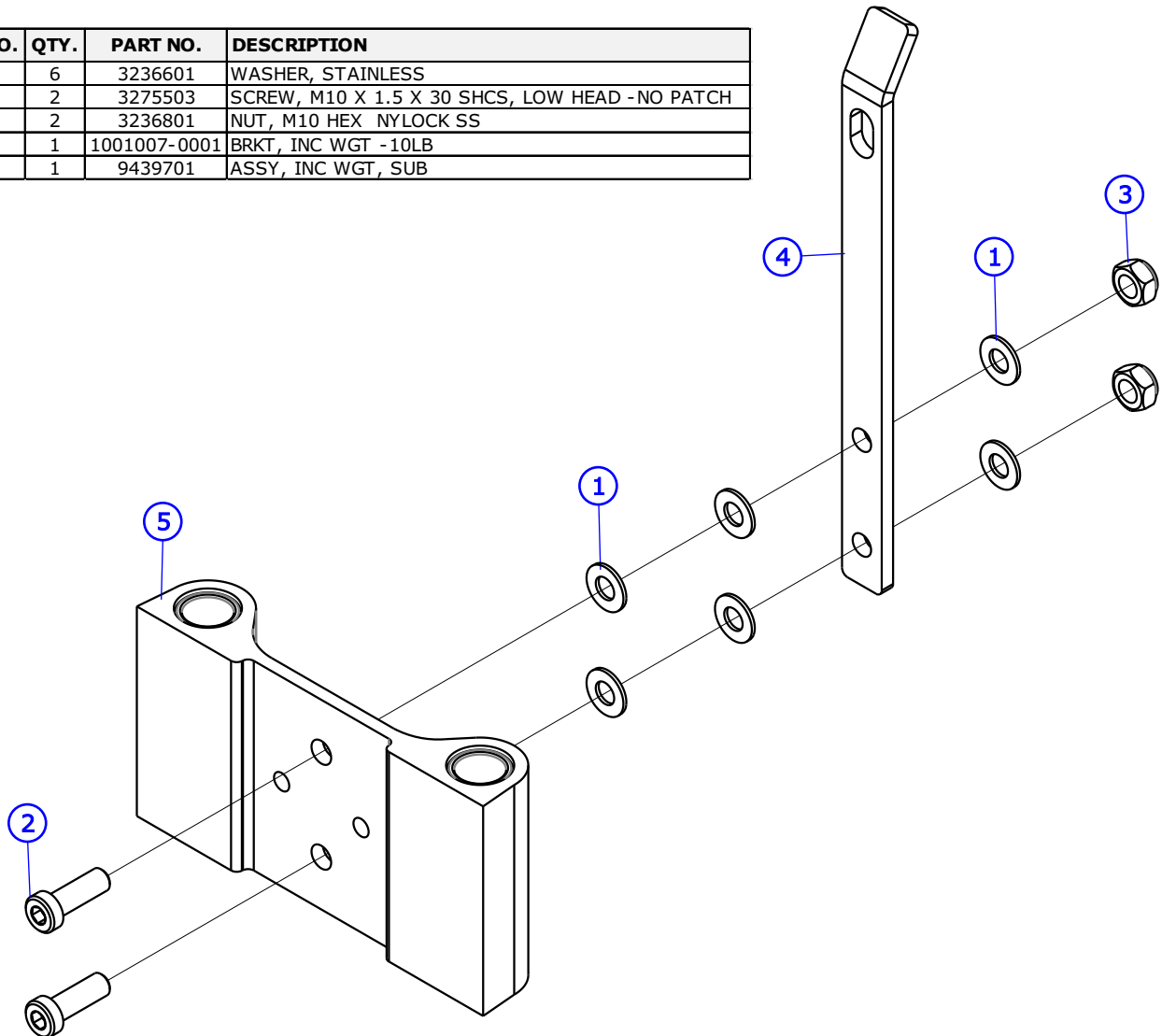
Insignia Series Seated Leg Press

C and X Trim Incremental Weights

ITEM NO.	QTY.	PART NO.	DESCRIPTION
1	2	3238301	M10x1.5x20mm
2	1	9428201	BRKT, INC WGT -5 LB
3	1	9439701	ASSY, INC WGT, SUB

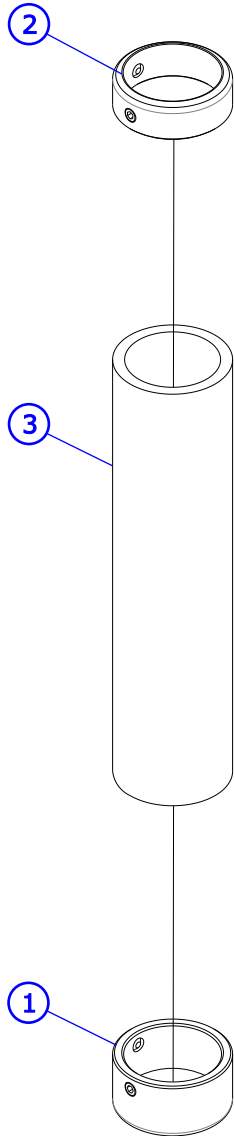


ITEM NO.	QTY.	PART NO.	DESCRIPTION
1	6	3236601	WASHER, STAINLESS
2	2	3275503	SCREW, M10 X 1.5 X 30 SHCS, LOW HEAD -NO PATCH
3	2	3236801	NUT, M10 HEX NYLOCK SS
4	1	1001007-0001	BRKT, INC WGT -10LB
5	1	9439701	ASSY, INC WGT, SUB



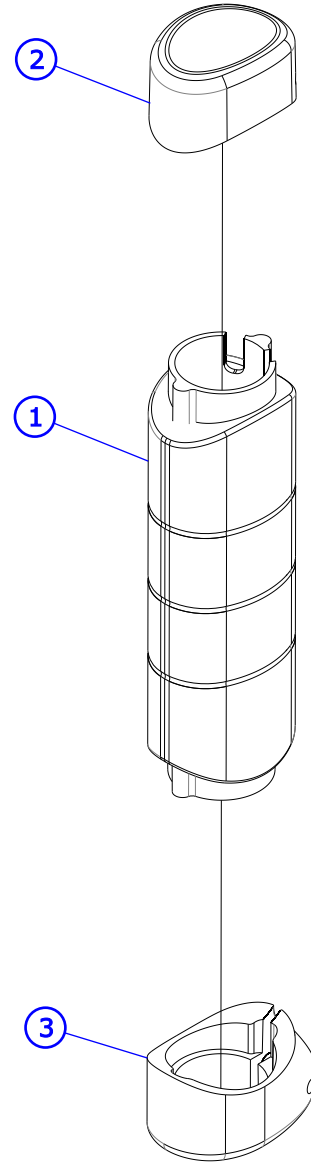
Insignia Series Seated Leg Press Grip Assemblies

S Trim



ITEM NO.	QTY.	PART NO.	DESCRIPTION
1	1	7662901	CAP, GRIP 1.25 OD
2	1	7662801	RING, GRIP
3	1	3235806	GRIP, 1.25 OD X .125 WALL, OPEN END

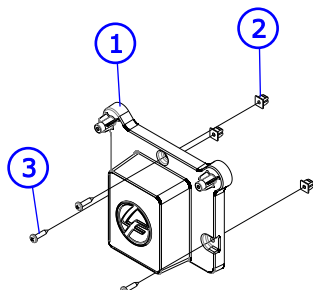
L Trim



ITEM NO.	QTY.	PART NO.	DESCRIPTION
1	1	9453001	GRIP, ERGO, OVERMOLD
2	1	1001761-0001	ASSY, CAP, GRIP
3	1	1001760-0001	ASSY, COLLAR, ERGO GRIP

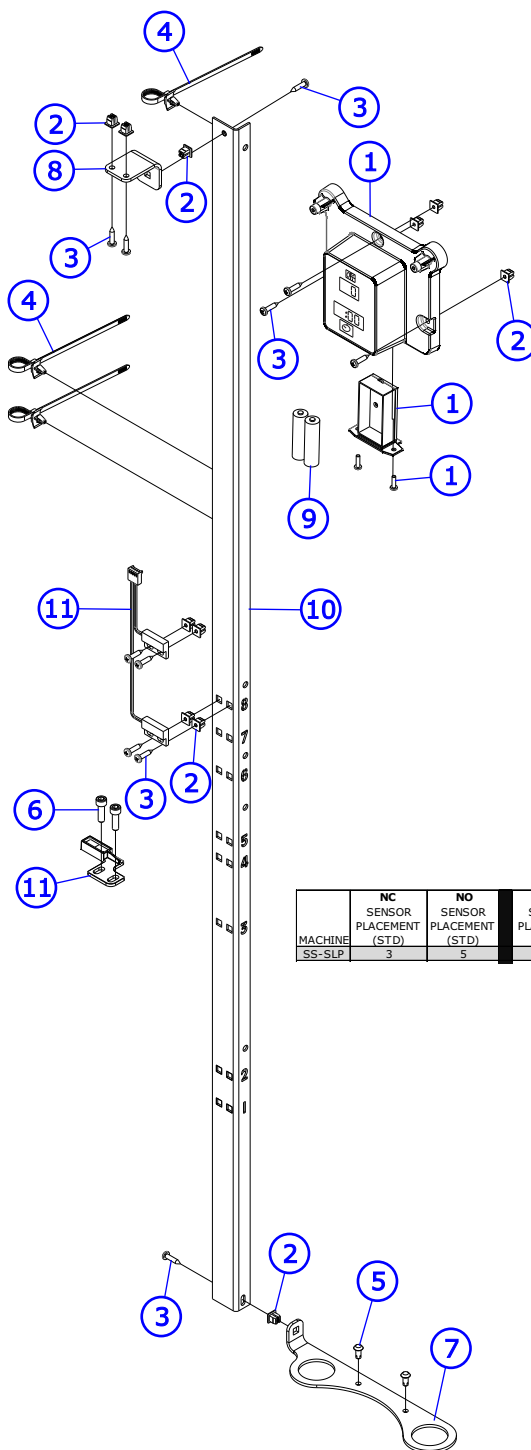
Insignia Series Seated Leg Press Sensor Assemblies

S Trim



ITEM NO.	QTY.	PART NO.	DESCRIPTION
1	1	9437401	SS - ASSY, DISPLAY, BASE
2	3	0017-00042-1147	GROMMET: SCREW; 8 OR 10
3	3	3275801	SCREW, 8 X 3/4 DIN PHL PAN AB ST ZB

L Trim



MACHINE	NC SENSOR PLACEMENT (STD)	NO SENSOR PLACEMENT (STD)	NC SENSOR PLACEMENT (HVY)	NO SENSOR PLACEMENT (HVY)
SS-SLP	3	5	4	6

ITEM NO.	QTY.	PART NO.	DESCRIPTION
1	1	9417701	ASSY, DISPLAY, COUNTER
2	11	0017-00042-1147	GROMMET: SCREW; 8 OR 10
3	11	3275801	SCREW, 8 X 3/4 DIN PHL PAN AB ST ZB
4	3	3276101	GROMMET, CABLE TIE
5	2	0017-00101-1587	RVT 201X0413X.354 T NY NO
6	2	3241701	SCREW, M6 X1 20MM
7	1	9432728	BRKT, SS, SWITCH MNT -CHGR
8	1	9434828	BRKT, SS, SWITCH MNT
9	2	-	BATTERY, AA
10	1	9459328	BRKT, SS, SWITCH MNT, TLL -CHR
11	1	1000585-0001	ASSY, SS, PROX SWITCH/MAGNET