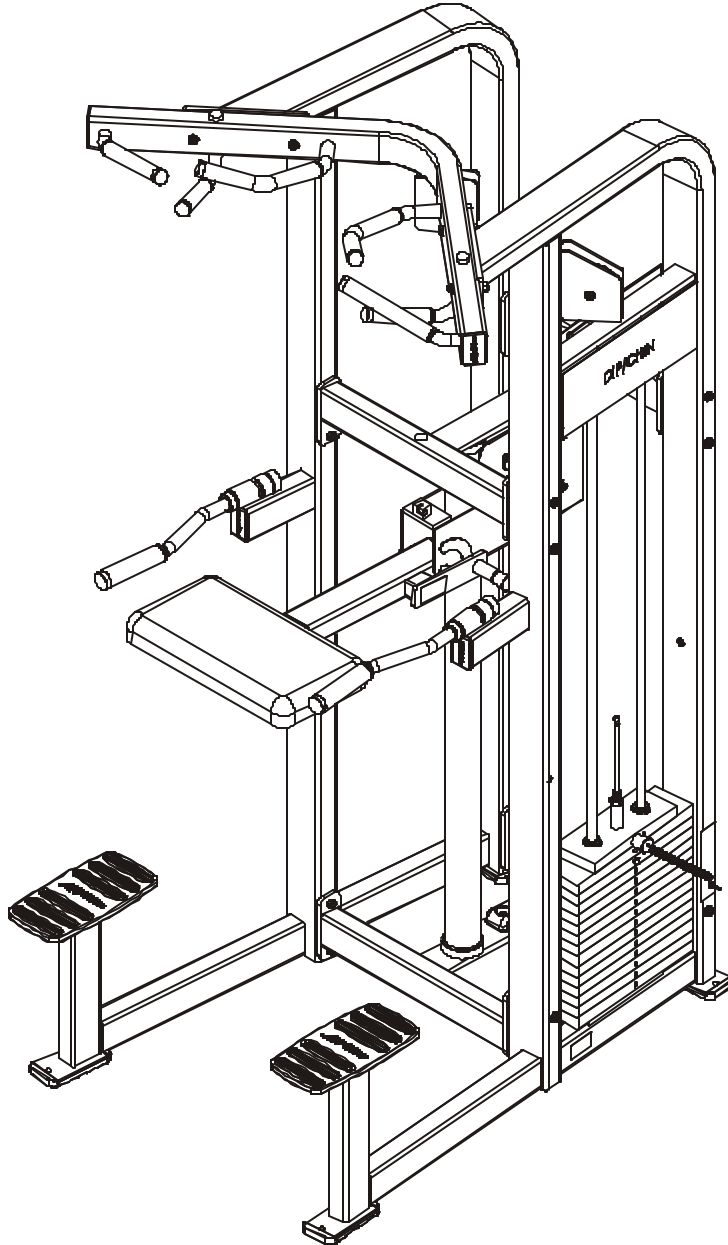


# LifeFitness

## PRO SERIES II PSADCSE ASSISTED CHIN DIP



## Customer Support Services **PARTS MANUAL**

# PSADCSE ASSISTED CHIN DIP

Notes:

---

# PSADCSE ASSISTED CHIN DIP

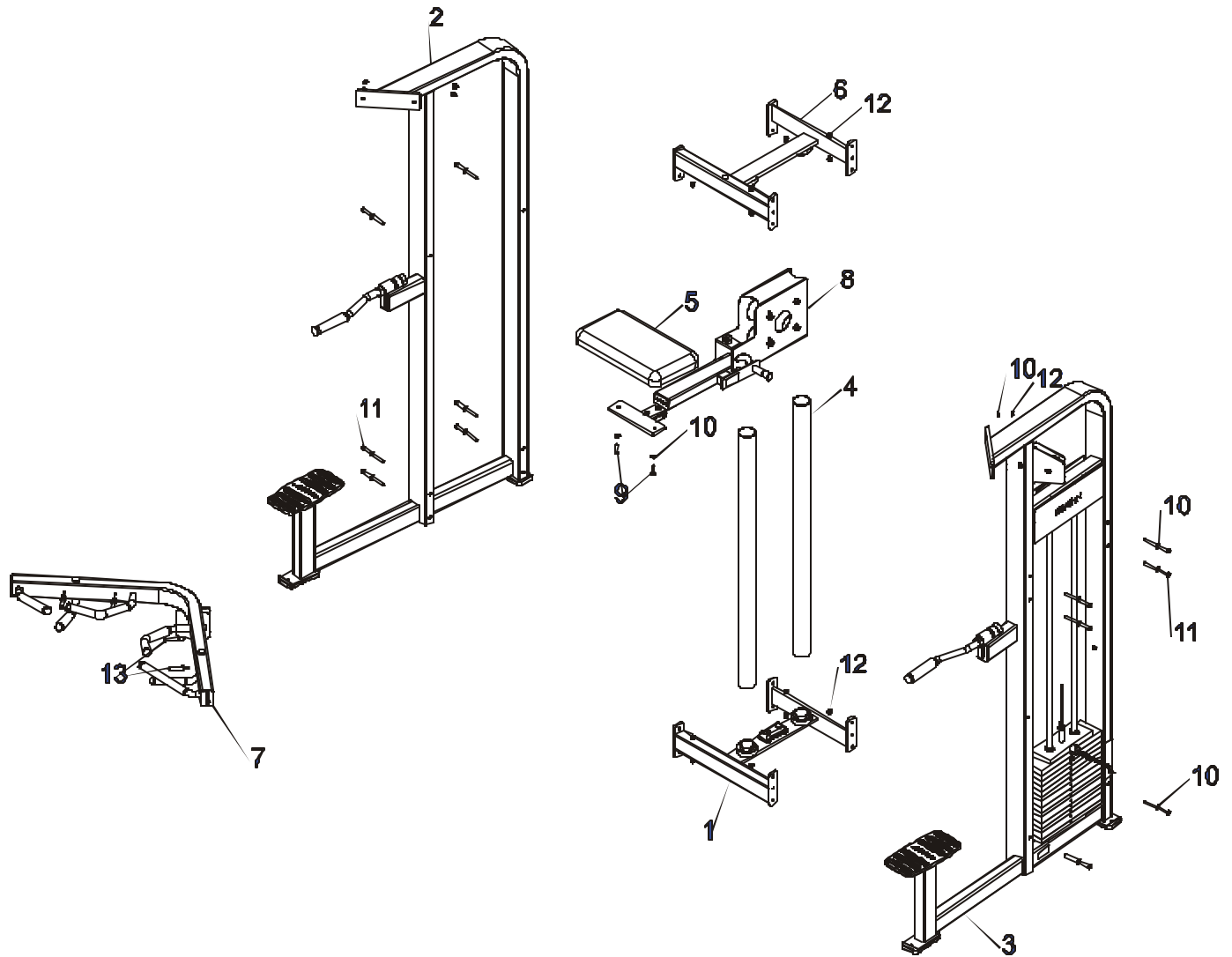
## Contents

---

	<b>PAGE</b>
COMPONENT ASSEMBLY .....	4
STACK WELDMENT ASSEMBLY .....	5
STACK WELDMENT ASSEMBLY CALLOUTS .....	6
LEFT SIDE FRAME ASSEMBLY.....	7
CHIN BAR ASSEMBLY.....	8
BOTTOM FRAME ASSEMBLY.....	9
TOP FRAME ASSEMBLY.....	10
SEAT ROLLER ASSEMBLY .....	11
INCREMENT WEIGHT W/STRIKER .....	12
SHROUD KIT ASSEMBLY.....	13

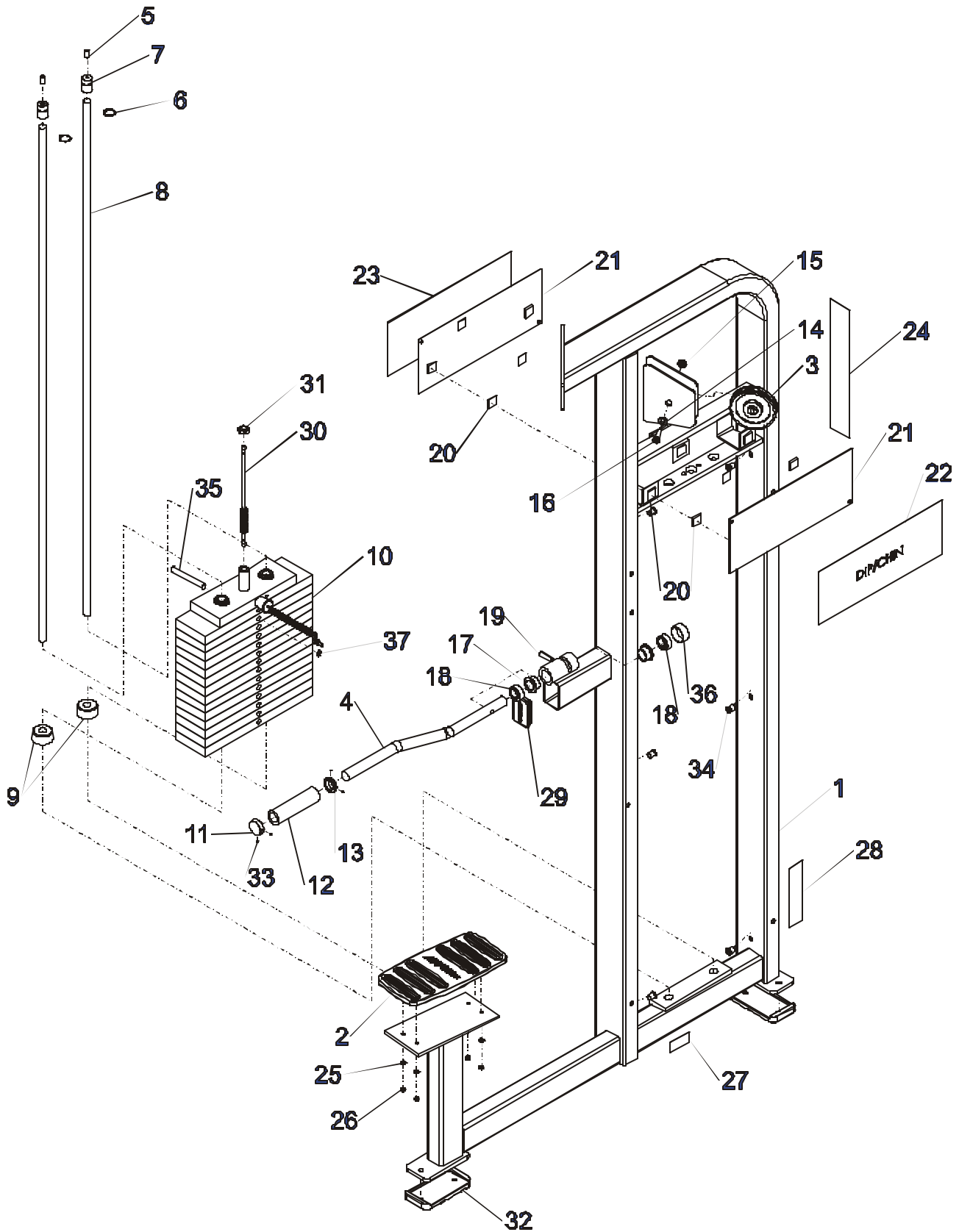
# PSADCSE ASSISTED CHIN DIP

## COMPONENT ASSEMBLY



ITEM NO	QTY.	PART NO	DESCRIPTION
1	1	7574301	ASSY, PSADC BOTTOM FRAME
2	1	7574901	ASSY, PSADC LSF
3	1	7575901	ASSY, PSADC STACK
4	2	7576501	TUBE, PSADC ROLLER GUIDE
5	1	7297301	PAD, ASSY 18 X 10
6	1	7576601	ASSY, PSADC TOP FRAME
7	1	7577001	ASSY, PSADC CHIN BAR
8	1	7577701	ASSY, PSADC ROLLERFRAME
9	2	3236204	SCREW, M10 X1.5 35MM
10	22	3236601	WASHER, 3/8 SAE SS
11	12	3236219	SCREW, M10 X1.5 120MM
12	16	3236801	NUT, M10 HEX NYLOCK SS
13	4	3236212	SCREW, M10 X1.5 75MM

# PSADCSE ASSISTED CHIN DIP STACK WELDMENT ASSEMBLY



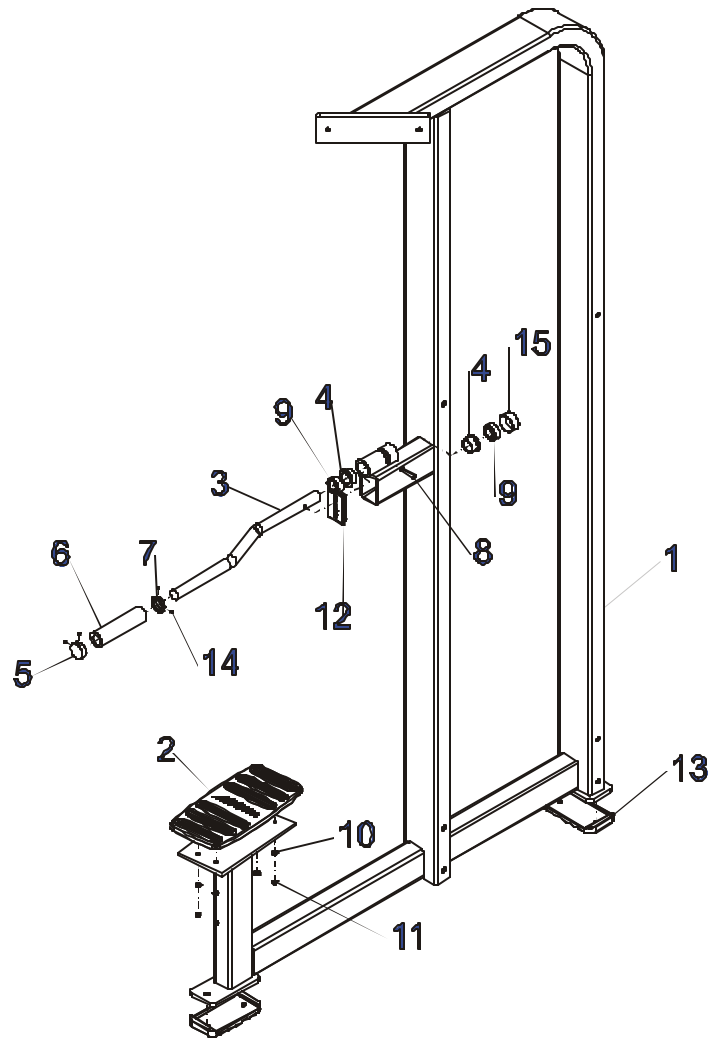
## PSADCSE ASSISTED CHIN DIP

### WEIGHT STACK WELDMNT ASSEMBLY CALLOUTS

---

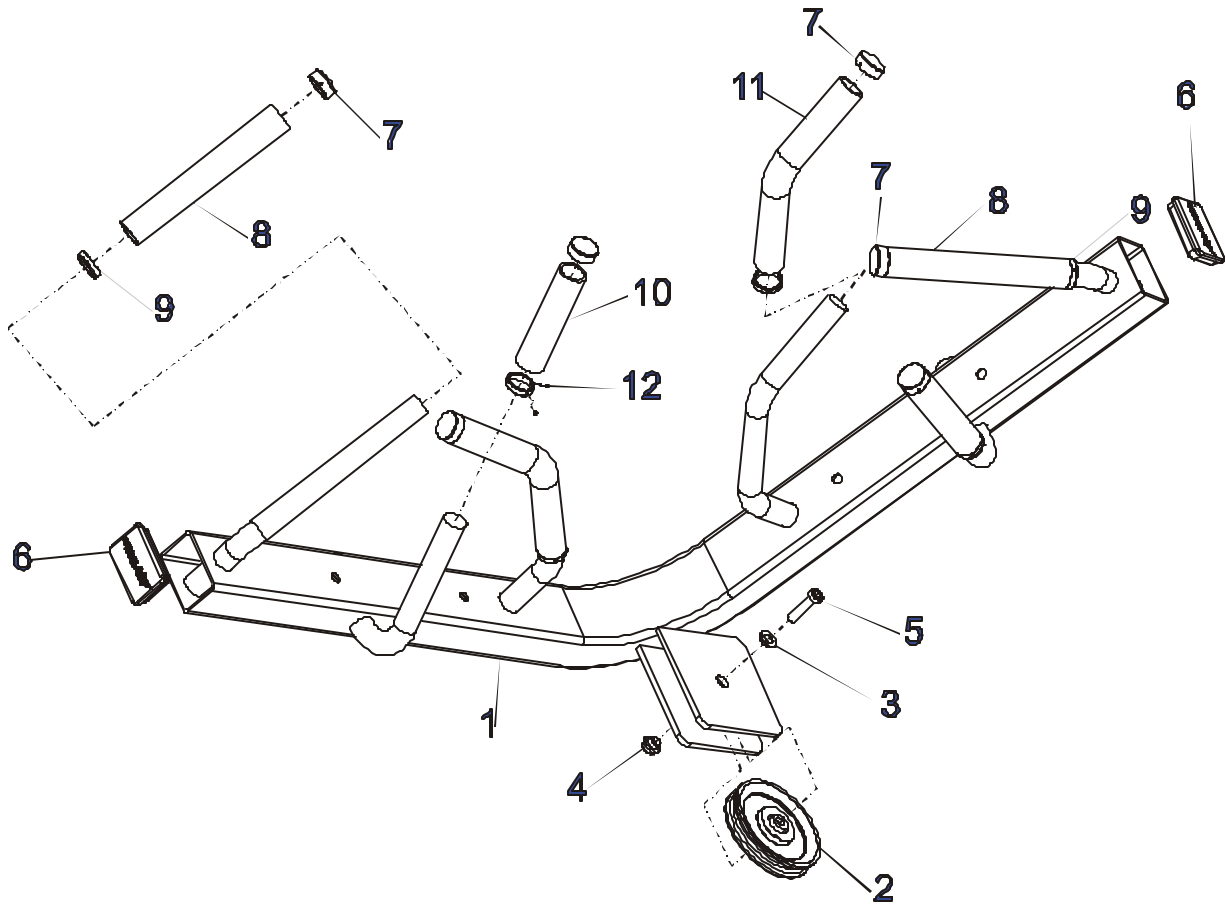
ITEM NO.	QTY.	PART NO.	DESCRIPTION
1	1	7576001	WLDMNT, PSADC STACK
2	1	7424101	FOOTPLATE, PRO2
3	1	3237801	PULLEY, 4.5" OD
4	1	7575895	BROUND, PSADC DIP HANDLE
5	2	3240501	M10 X 1.5 HXS NO CUP ST BO
6	2	3232421	RING, BRE .940, 5100-100 ST PP B
7	2	7402301	RETAINER, GUIDEROD
8	2	7328606	GUIDE ROD, .75 OD SOLID 59.63
9	2	7352101	CUSHION, WEIGHT STACK
10	1	7574101	ASSY, 225LB STACK
11	1	7306902	RING, GRIP 1.50 OD
12	1	3235802	GRIP, SHADOW GRAY, 5.50"
13	1	7315602	RING, GRIP
14	1	7348101	WASHER, SPACER
15	1	7335401	NUT, M10 X 1.5 SOCKET HEAD
16	1	3236205	SCREW, M10 X1.5 40MM
17	2	3104903	1.00" ID 1.25" OD BRONZ BUSHING
18	2	7435301	1" ID SHAFT COLLAR BORED .020
19	1	3110004	ROLL PIN
20	12	7544201	PAD, DUAL LOCK 250, 1" X 1"
21	2	7415402	COVER, STACK-PRO2 RECT.
22	1	7582101	LABEL, PSADC PLACARD
23	1	7584201	LABEL, PSADC LOGO PANEL
24	1	7348001	LABEL, LIFE FITNESS LOGO
25	4	3241801	WASHER, FLAT 6MM SS
26	4	3236802	NUT, M6 HEX NYLOCK SS
27	1	7422007	LABEL, SERIAL NO
28	1	7422004	LABEL, 2" ASTM WARN
29	1	7352301	CAP, END 2 X 3
30	1	7423715	CABLE, PSADC
31	1	3236902	NUT, M16 X 2 HEX JAM SS
32	2	7388201	Footpad, PS Rubber
33	4	3237201	M3 X .5 HXS NO CUP ST BO
34	6	3238101	NUT, BLIND INSERT M10 X 1.5
35	1	7564501	PIN, FZ/PS, WEIGHT PLATE
36	1	3242601	CAP, END, 1.375 X .750 RD, BLACK VINYL
37	1	3243901	RING, BRE M11, ST, PP

**PSADCSE ASSISTED CHIN DIP**  
**LEFT SIDE FRAME ASSEMBLY**



ITEM NO.	QTY.	PART NO.	DESCRIPTION
1	1	7575001	WLDMNT, PSADC LSF
2	1	7424101	FOOTPLATE, PRO2
3	1	7575895	BROUND, PSADC DIP HANDLE
4	2	3104903	1.00" ID 1.25" OD BRONZ BUSHING
5	1	7306902	RING, GRIP 1.50 OD
6	1	3235802	GRIP, SHADOW GRAY, 5.50"
7	1	7315602	RING, GRIP
8	1	3110004	ROLL PIN
9	2	7435301	1" ID SHAFT COLLAR BORED .020
10	4	3241801	WASHER, FLAT 6MM SS
11	4	3236802	NUT, M6 HEX NYLOCK SS
12	1	7352301	CAP, END 2 X 3
13	2	7388201	Footpad, PS Rubber
14	4	3237201	M3 X .5 HXS NO CUP ST BO
15	1	3242601	CAP, END, 1.375 X .750 RD, BLACK VINYL

**PSADCSE ASSISTED CHIN DIP**  
**CHIN BAR ASSEMBLY**

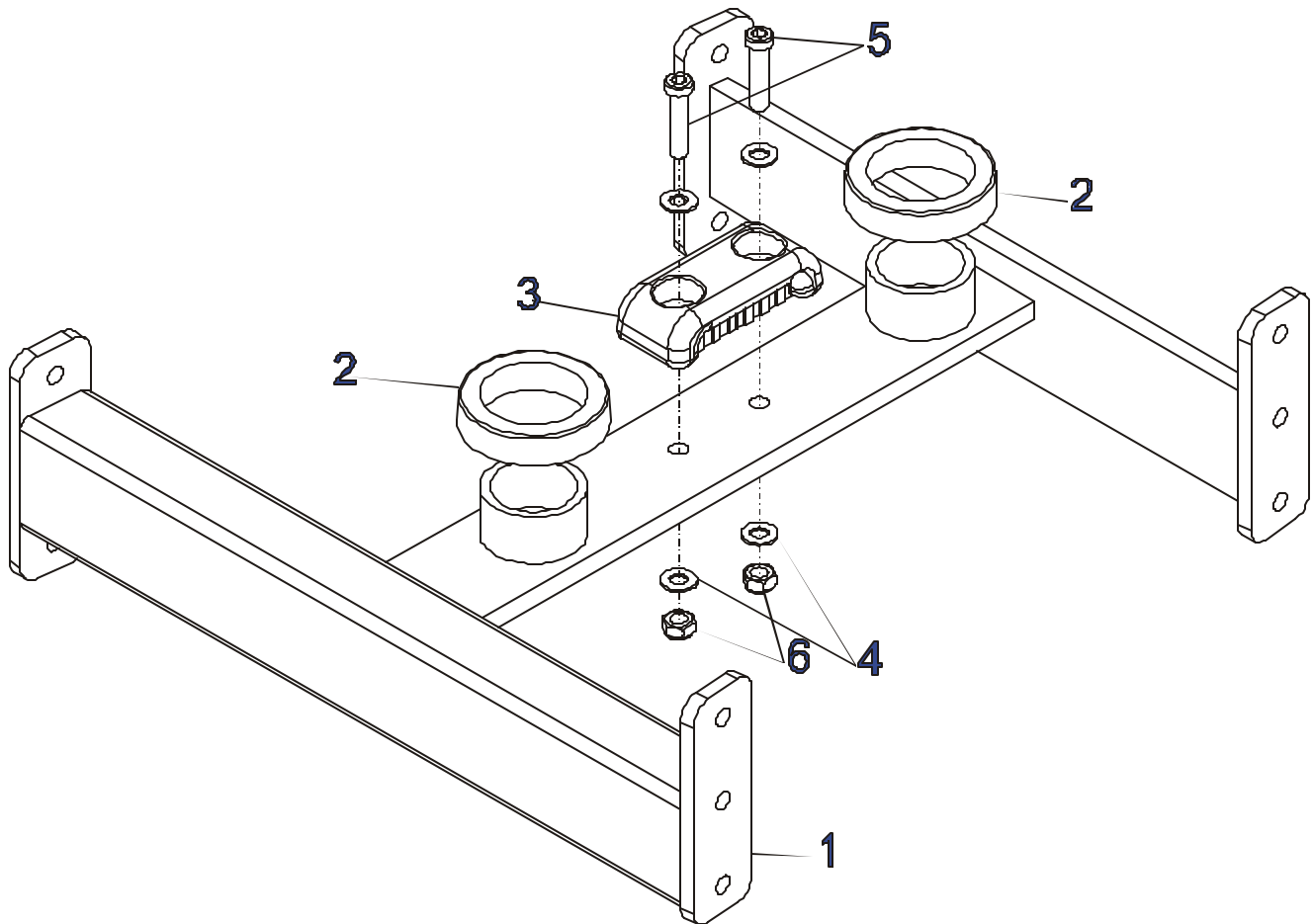


ITEM NO.	QTY.	PART NO.	DESCRIPTION
1	1	7577101	WLDMNT, PSADC CHIN BAR
2	1	3237801	PULLEY, 4.5" OD
3	1	7348101	WASHER, SPACER
4	1	7335401	NUT, M10 X 1.5 SOCKET HEAD
5	1	3236205	SCREW, M10 X1.5 40MM
6	2	7352301	CAP, END 2 X 3
7	6	7306901	CAP, GRIP 1.25 OD
8	2	3235801	GRIP, SHADOW GRAY, 8.00"
9	6	7315601	RING, GRIP 1.25 OD
10	2	3235801	GRIP, SHADOW GRAY, 5.00"
11	2	3235801	GRIP, SHADOW GRAY, 10.00"
12	24	3237201	M3 X .5 HXS NO CUP ST BO



**PSADCSE ASSISTED CHIN DIP  
BOTTOM FRAME ASSEMBLY**

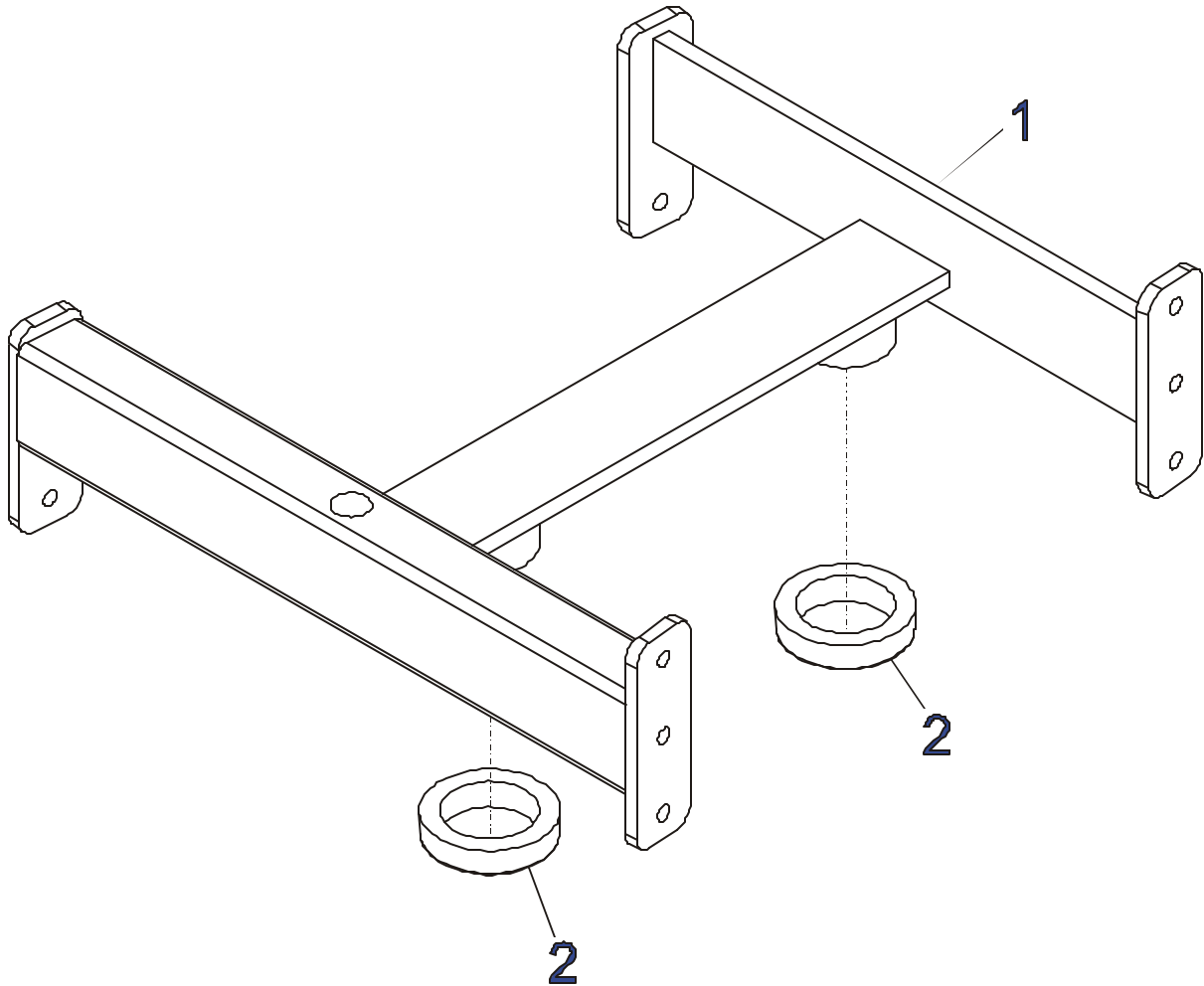
---



ITEM NO.	QTY.	PART NO.	DESCRIPTION
1	1	7574401	WLDMT, PSADC BOTTOM FRAME
2	2	7444601	BUMBER, DONUT
3	1	7352001	BUMPER, 2-1/8 X 4-5/8
4	4	3236601	WASHER, 3/8 SAE SS
5	2	3236206	SCREW, M10 X1.5 45MM
6	2	3236801	NUT, M10 HEX NYLOCK SS

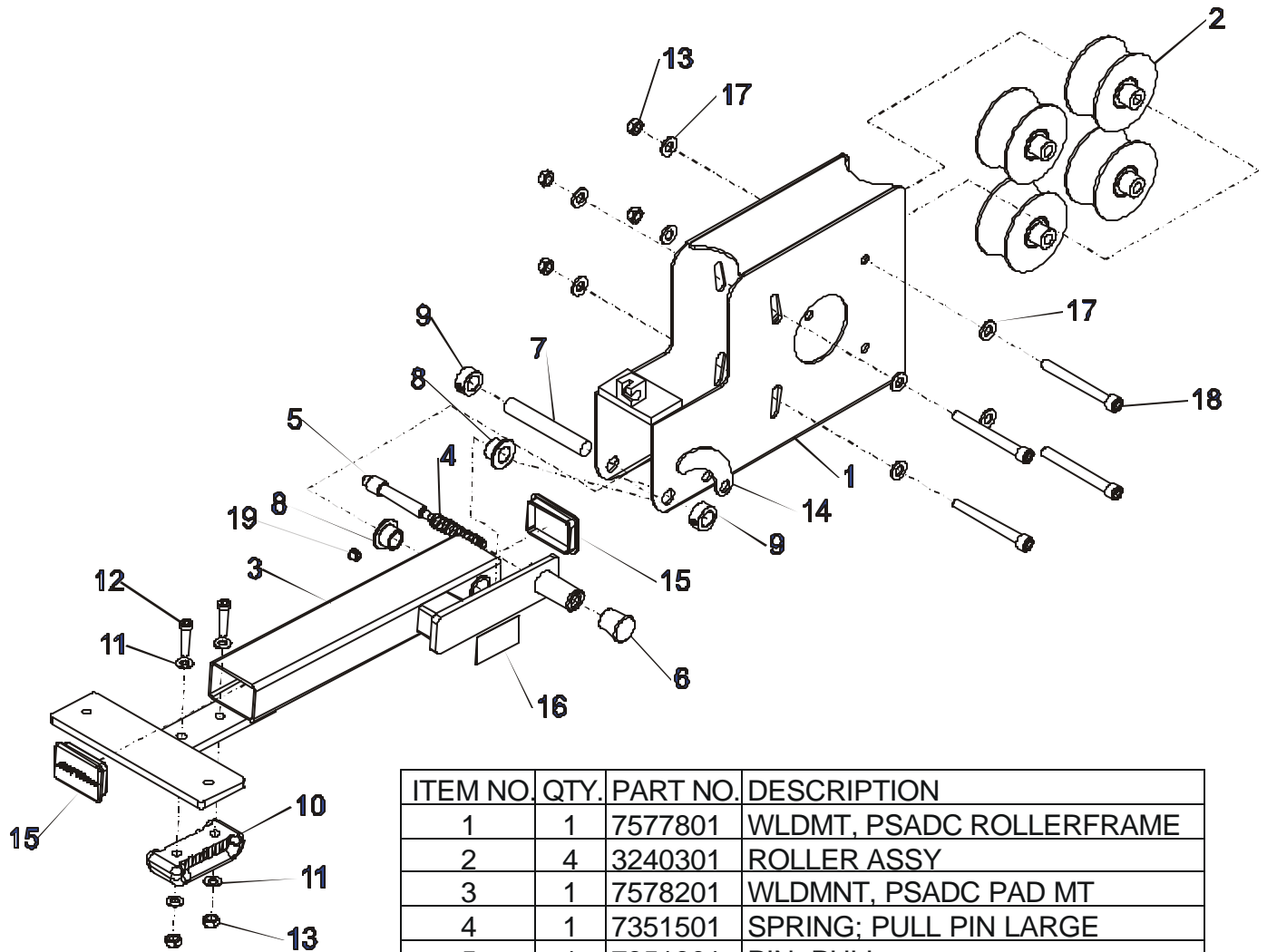
**PSADCSE ASSISTED CHIN DIP  
TOP FRAME ASSEMBLY**

---



ITEM NO.	QTY.	PART NO.	DESCRIPTION
1	1	7576701	WLDMNT, PSADC TOP
2	2	7444601	BUMBER, DONUT

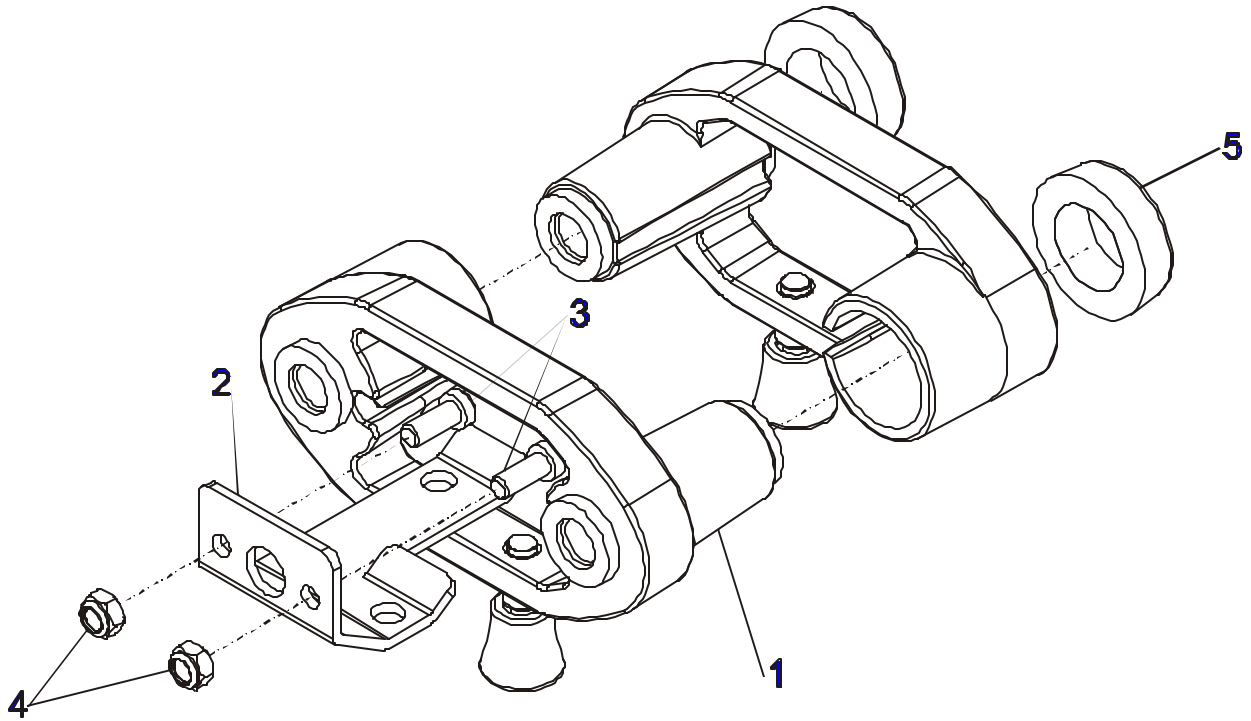
# PSADCSE ASSISTED CHIN DIP SEAT ROLLER ASSEMBLY



ITEM NO.	QTY.	PART NO.	DESCRIPTION
1	1	7577801	WLDMT, PSADC ROLLERFRAME
2	4	3240301	ROLLER ASSY
3	1	7578201	WLDMNT, PSADC PAD MT
4	1	7351501	SPRING; PULL PIN LARGE
5	1	7351301	PIN, PULL
6	1	7351401	KNOB, TULIP STYLE
7	1	7578901	SHAFT, PSADC PAD MT
8	2	3104901	.75" ID 1.00" OD BRONZE BUSHING
9	2	3103301	SHAFT COLLAR, 3/4 I.D. ZINC
10	1	7352001	BUMPER, 2-1/8 X 4-5/8
11	4	3236601	WASHER, 3/8 SAE SS
12	2	3236205	SCREW, M10 X1.5 40MM
13	6	3236801	NUT, M10 HEX NYLOCK SS
14	1	7579101	STRIP, PSADC RUB PLATE
15	2	7352301	CAP, END 2 X 3
16	1	7422003	LABEL, MOVING PARTS
17	8	3241401	WASHER, FLAT 12MM SS
18	4	3241319	SCREW, M12 X1.75 110MM
19	1	3237401	PLUG, 7/16" HOLE

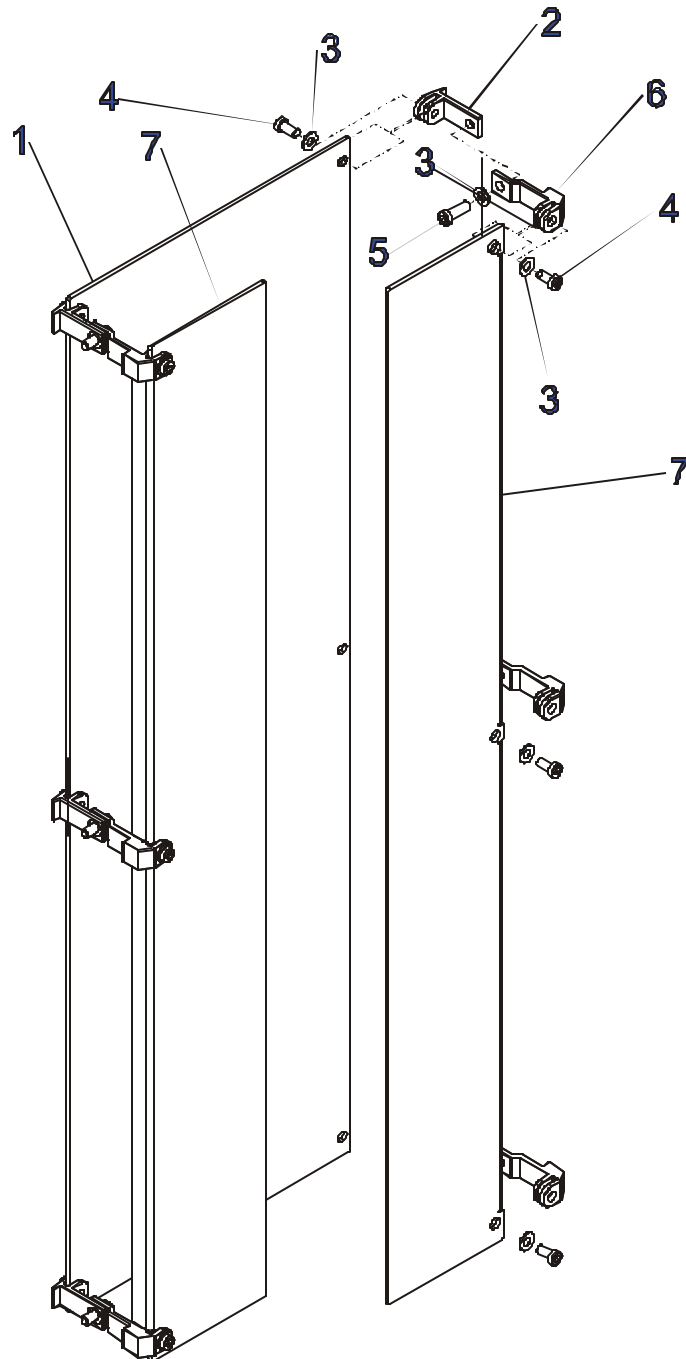
**PSADCSE ASSISTED CHIN DIP  
INCREMENT WEIGHT W/STRIKER**

---



ITEM NO.	QTY.	PART NO.	DESCRIPTION
1	2	7446501	ASSY, 5LB INCREMENT WEIGHT
2	1	7447101	PLATE, INCR. WT STRIKER
3	2	3236202	SCREW, M10 X1.5 25MM
4	2	3236801	NUT, M10 HEX NYLOCK SS
5	2	7597101	BUMPER, PS INCREMENT WT

# PSADCSE ASSISTED CHIN DIP SHROUD KIT ASSEMBLY



ITEM NO.	QTY.	PART NO.	DESCRIPTION
1	1	SEE DASH BLOCK	SHIELD, PS REAR
2	6	7655301	BRACKET, PS REAR
3	18	3236601	WASHER, 3/8 SAE SS
4	12	3236201	SCREW, M10 X1.5 20MM
5	6	3236203	SCREW, M10 X1.5 30MM
6	6	7376601	BRACKET, PS FRONT
7	2	SEE DASH BLOCK	SHIELD, PS - FRONT