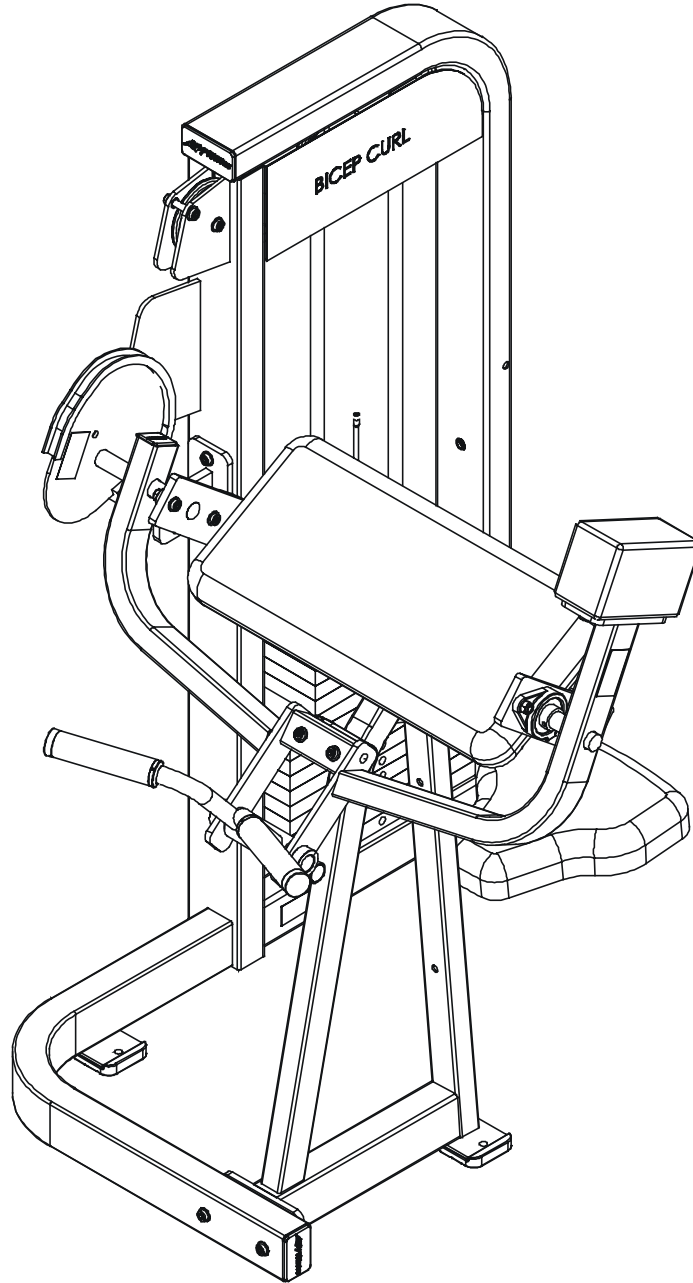


LifeFitness

PRO SERIES II PSBCSE BICEPS CURL



Customer Support Services ***PARTS MANUAL***

PSBCSE BICEPS CURL

Notes:

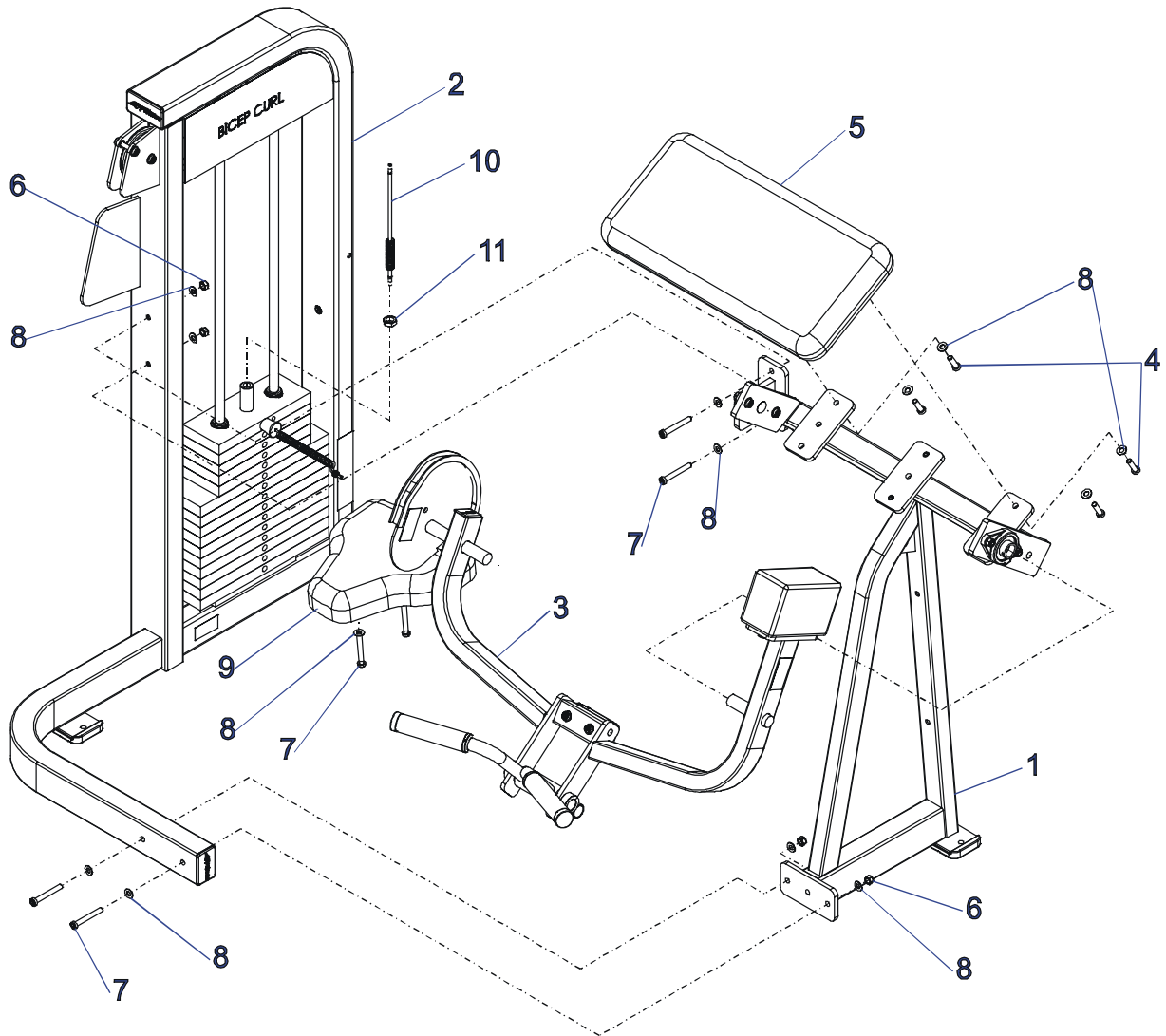
PSBCSE BICEPS CURL

Contents

	PAGE
COMPONENT ASSEMBLY.....	4
SIDE FRAME ASSEMBLY.....	5
MOVEMENT ARM ASSEMBLY.....	6
90 DEGREE BASE SEAT.....	7
ADD-ON INCREMENT WEIGHT.....	8
WEIGHT STACK 200LB.....	9

PSBCSE BICEPS CURL

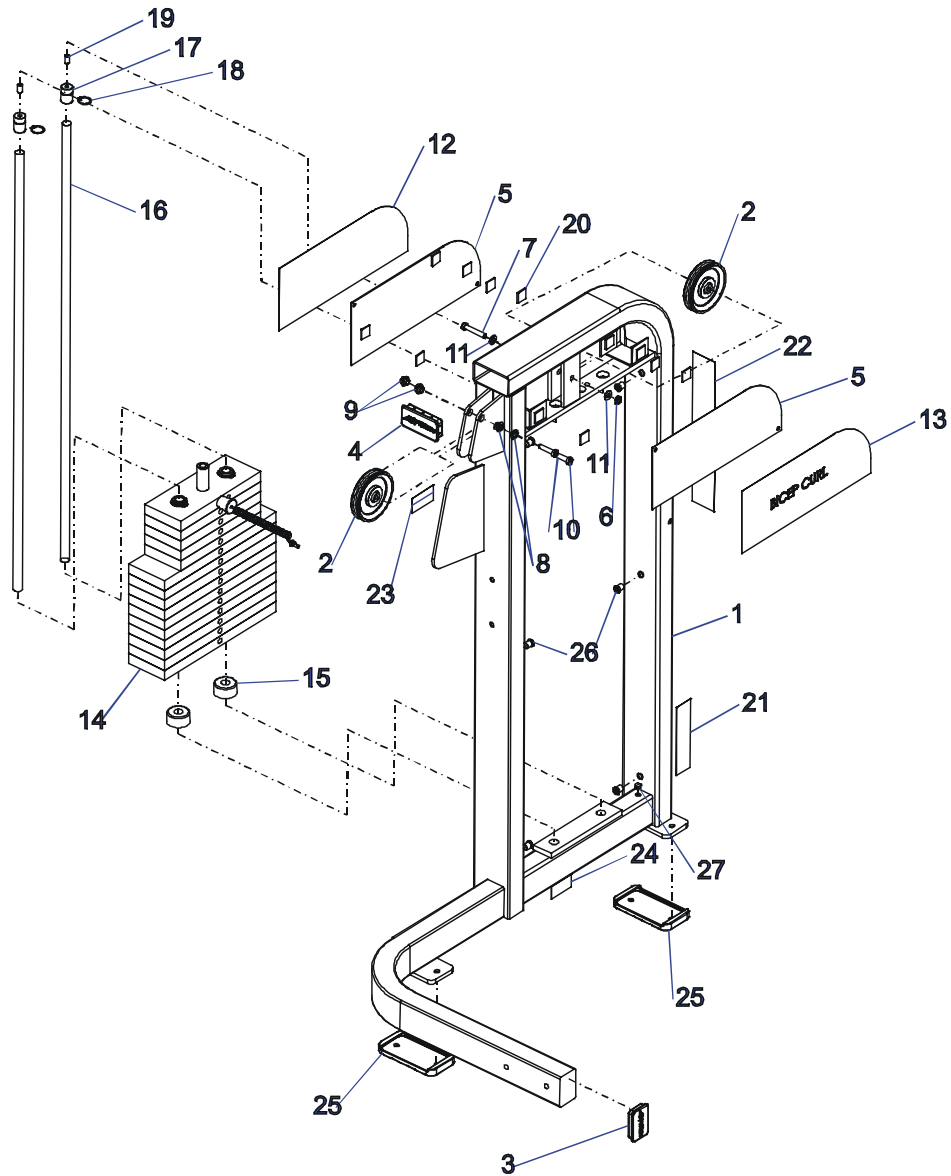
COMPONENT ASSEMBLY



ITEM NO.	QTY.	PART NO.	DESCRIPTION
1	1	7442801	ASSY, PSBC SEAT FRAME
2	1	7442901	ASSY, PSBC SIDEFAME
3	1	7443101	ASSY, PSBC MOVEMENT ARM
4	4	3236204	SCREW, M10 X1.5 35MM
5	1	7399001	PAD, ELBOW 24 X 11
6	4	3236801	NUT, M10 HEX NYLOCK SS
7	6	3236212	SCREW, M10 X1.5 75MM
8	14	3236601	WASHER, 3/8 SAE SS
9	1	7351901	PAD, SADDLE
10	1	7423701	CABLE, PSBC
11	1	3236902	NUT, M16 X 2 HEX JAM SS

PSBCSE BICEPS CURL

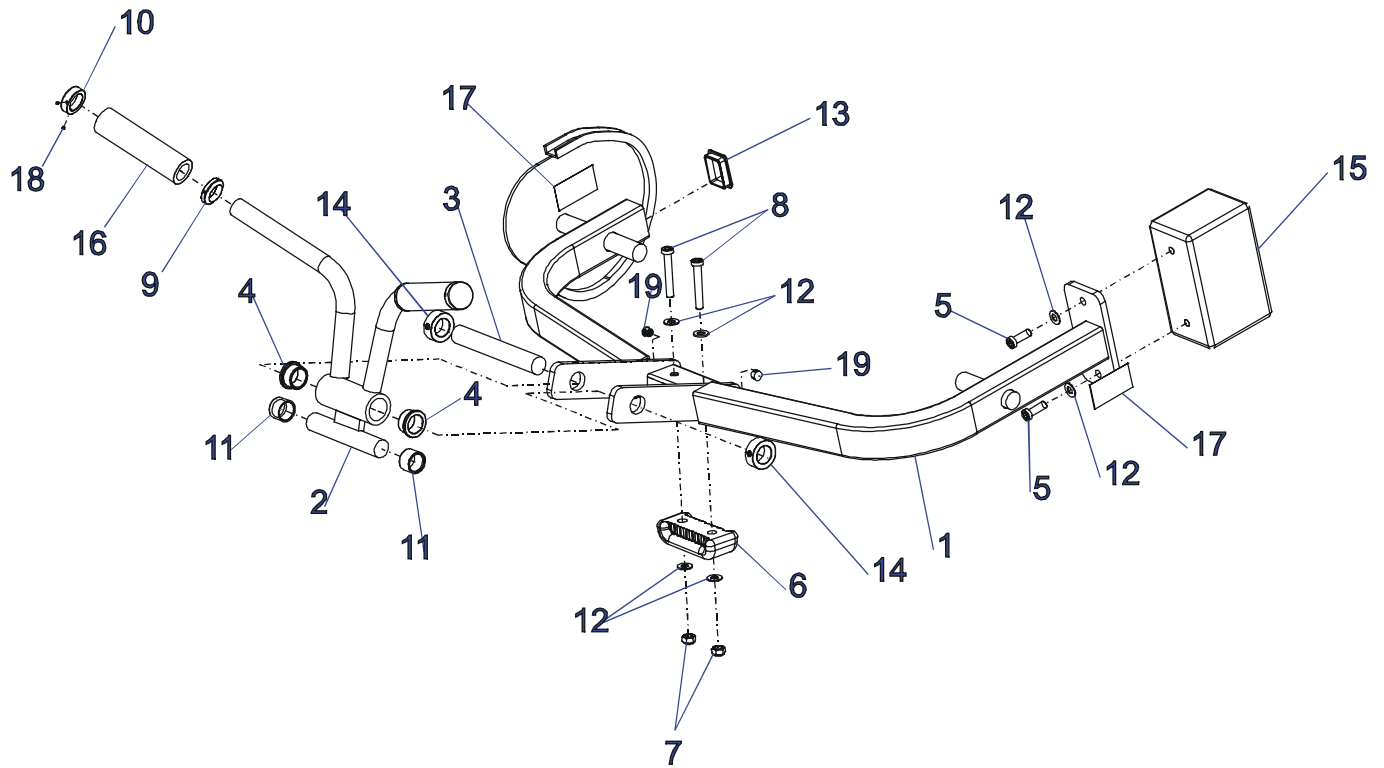
SIDE FRAME ASSEMBLY



ITEM NO	QTY	PART NO.	DESCRIPTION	ITEM NO	QTY	PART NO.	DESCRIPTION
1	1	7382101	WLDMT, PSBC- WEIGHT STACK	15	2	7352101	CUSHION, WEIGHT STACK
2	2	3237801	PULLEY, 4.5" OD	16	2	7328604	GUIDE ROD, .75 OD SOLID 43.88
3	1	7352301	CAP, END 2 X 3	17	2	7402301	RETAINER, GUIDEROD
4	1	7352401	CAP, END 2 X 4	18	2	3232421	RING, BRE .940, 5100-100 ST PP B
5	2	7353201	COVER, STACK STD	19	2	3240501	M10 X 1.5 HXS NO CUP ST BO
6	1	3236901	NUT, M10 X 1.5 JAM	20	12	7544201	PAD, DUAL LOC 400, 1" X 1"
7	1	3236208	SCREW, M10 X1.5 55MM	21	1	7422004	LABEL, 2" ASTM WARN
8	2	7348101	WASHER, SPACER	22	1	7348001	LABEL, LIFE FITNESS LOGO
9	2	7335401	NUT, M10 X 1.5 SOCKET HEAD	23	1	7422003	LABEL, MOVING PARTS
10	2	3236205	SCREW, M10 X1.5 40MM	24	1	7422007	LABEL, SERIAL NO
11	2	3236601	WASHER, 3/8 SAE SS	25	2	7388201	Footpad, PS Rubber
12	1	7491101	LABEL, PRO2 LOGO LEFT	26	6	3238101	NUT, BLIND INSERT M10 X 1.5
13	1	7443001	LABEL, PSBC PLACARD	27	2	3237401	PLUG, 7/16" HOLE
14	1	7353401	ASSY, 200LB STACK				

PSBCSE BICEPS CURL

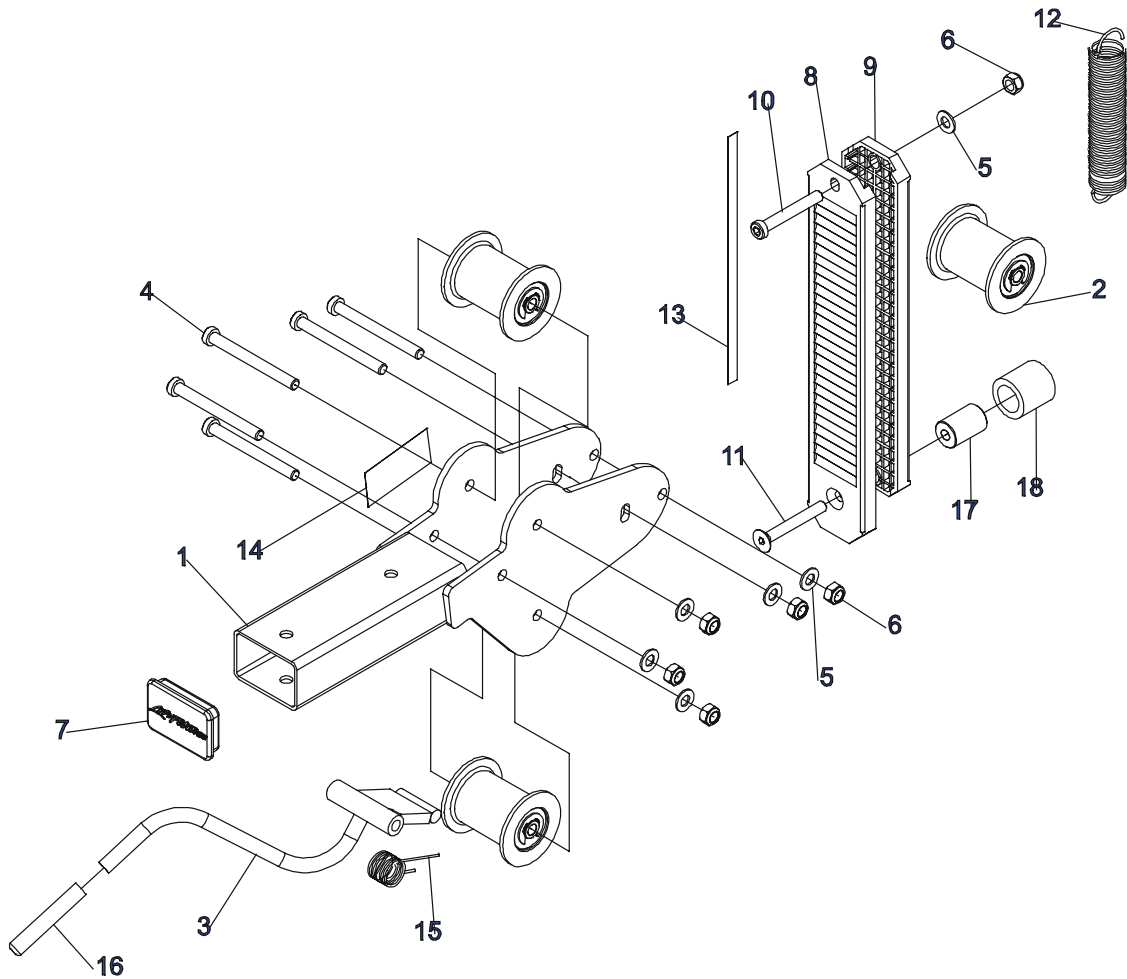
MOVEMENT ARM ASSEMBLY



ITEM	QTY	PART NO.	DESCRIPTION
1	1	7382901	WLDMT, PSBC- MOVEMENT ARM
2	1	7383301	WLDMT, PSBC- HANDLE BAR ASSY
3	1	7358203	SHAFT, 1 DIA STAINLESS X 6-3/4
4	2	3104906	1.00" ID 1.25" OD BRONZ BUSHING
5	2	3236203	SCREW, M10 X1.5 30MM
6	1	7352001	BUMPER, 2-1/8 X 4-5/8
7	2	3236801	NUT, M10 HEX NYLOCK SS
8	2	3236210	SCREW, M10 X1.5 65MM
9	2	7315602	RING, GRIP
10	2	7306902	RING, GRIP 1.50 OD
11	2	7481201	BRNG, 25M X 30M X 20
12	6	3236601	WASHER, 3/8 SAE SS
13	1	7352201	CAP, END 1-1/2 X 2
14	2	3103303	SHAFT COLLAR, 1.0 I.D. ZINC
15	1	7365901	WEIGHT, COUNTER MED
16	2	3235802	Grip, 1.50"OD
17	2	7422003	LABEL, MOVING PARTS
18	8	3237201	M3 X .5 HXS NO CUP ST BO
19	2	3237401	PLUG, 7/16" HOLE

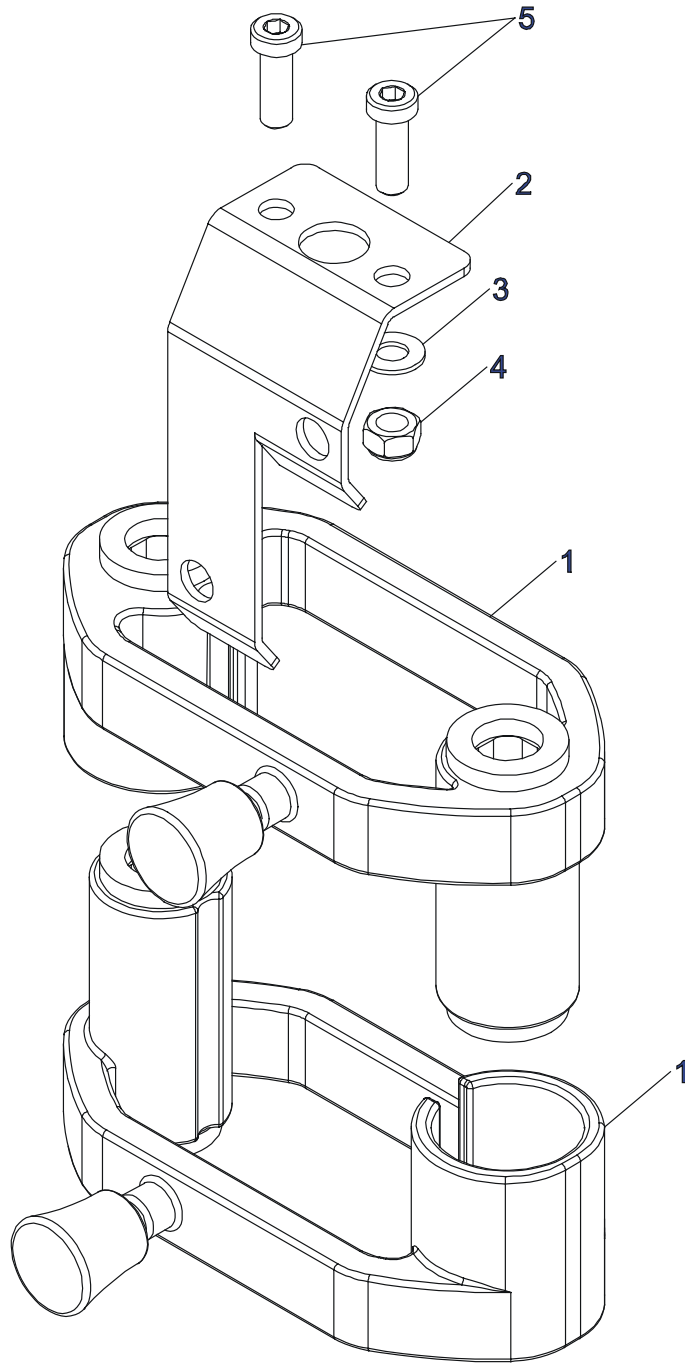
PSBCSE BICEPS CURL

90 DEGREE ROLLER SEAT ASSY



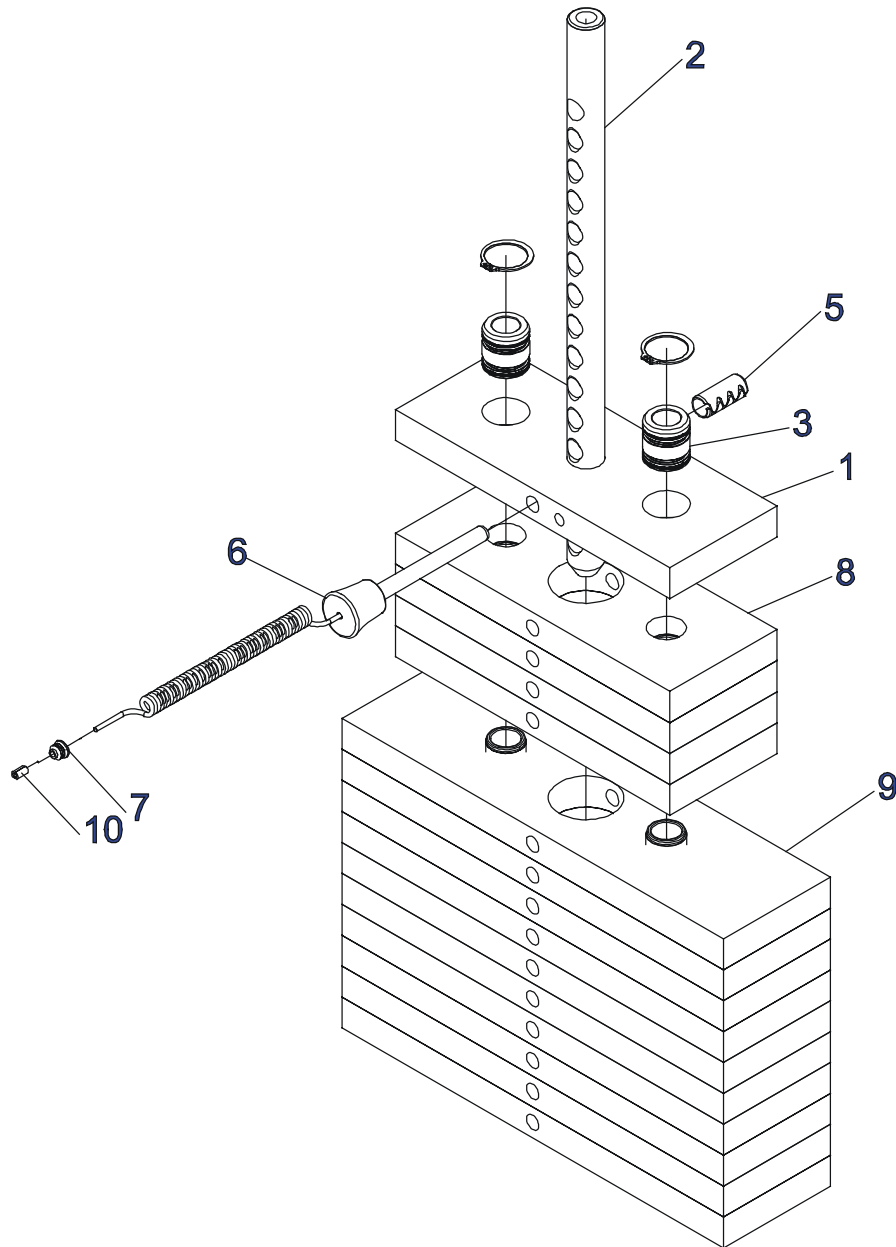
ITEM NO.	QTY.	PART NO.	DESCRIPTION
1	1	7396801	Wldmnt, 90 Deg Roller Seat
2	3	7564201	ASSY, SEAT ROLLER
3	1	7387595	Weldmnt, PS-Roller Seat Handle
4	5	3236217	SCREW, M10 X1.5 100MM
5	6	3236601	WASHER, 3/8 SAE SS
6	6	3236801	NUT, M10 HEX NYLOCK SS
7	1	7352301	CAP, END 2 X 3
8	1	7564301	SEATRACK, ROLLER SERRATED
9	1	7564401	SEATRACK, FLAT
10	1	3236211	SCREW, M10 X1.5 70MM
11	1	3238312	M10x1.5x75mm
12	1	7442601	SPRING, PRO2 ROLLER SEAT
13	1	7422002	LABEL, SEAT ADJUST
14	1	7422001	LABEL, SEAT INST
15	1	7442701	SPRNG, PRO2 HANDLE TORSION
16	1	3238502	CAP, 1/2 X 5/8
17	1	7570601	STOP, ROLLER SEAT
18	1	3235802	GRIP, SHADOW GRAY, 1.5"

PSBCSE BICEPS CURL
INCREMENT WT W/STRIKER ASSY



ITEM NO.	QTY.	PART NO.	DESCRIPTION
1	2	7446501	ASSY, 5LB INCREMENT WEIGHT
2	1	7447101	PLATE, INCR. WT STRIKER
3	2	3236601	WASHER, 3/8 SAE SS
4	2	3236801	NUT, M10 HEX NYLOCK SS
5	2	3236203	SCREW, M10 X1.5 30MM

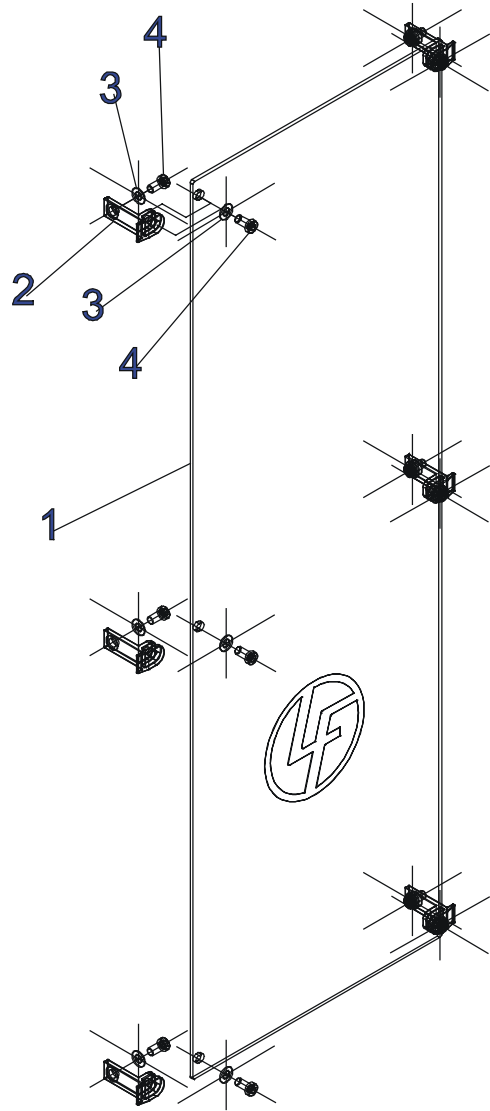
PSBCSE BICEPS CURL WEIGHT STACK ASSY 200LB



ITEM NO.	QTY.	PART NO.	DESCRIPTION
1	1	7353901	HEADPLATE, WT. STACK
2	1	7352601	BAYONET, 14 PLATE
3	2	7338001	BUSHING, HEADPLATE
5	1	3236001	BUSHING, SPRING PIN
6	1	7353001	ASSY, SELECTOR PIN
7	1	7356501	PLUG, LANYARD ATTACHMENT
8	4	7353701	ASSY, 10 LB PLATE
9	10	7353801	ASSY, 15 LB PLATE
10	1	7523601	CRIMP, CABLE

PSBCSE BICEPS CURL

SHROUD KIT STD-SHORT



ITEM NO.	QTY.	PART NO.	DESCRIPTION
1	1	7376801	SHIELD, PS REAR
2	6	7655301	BRACKET, PS REAR
3	12	3236601	SHIELD
4	12	3236203	SCREW, M10 X1.5 20MM