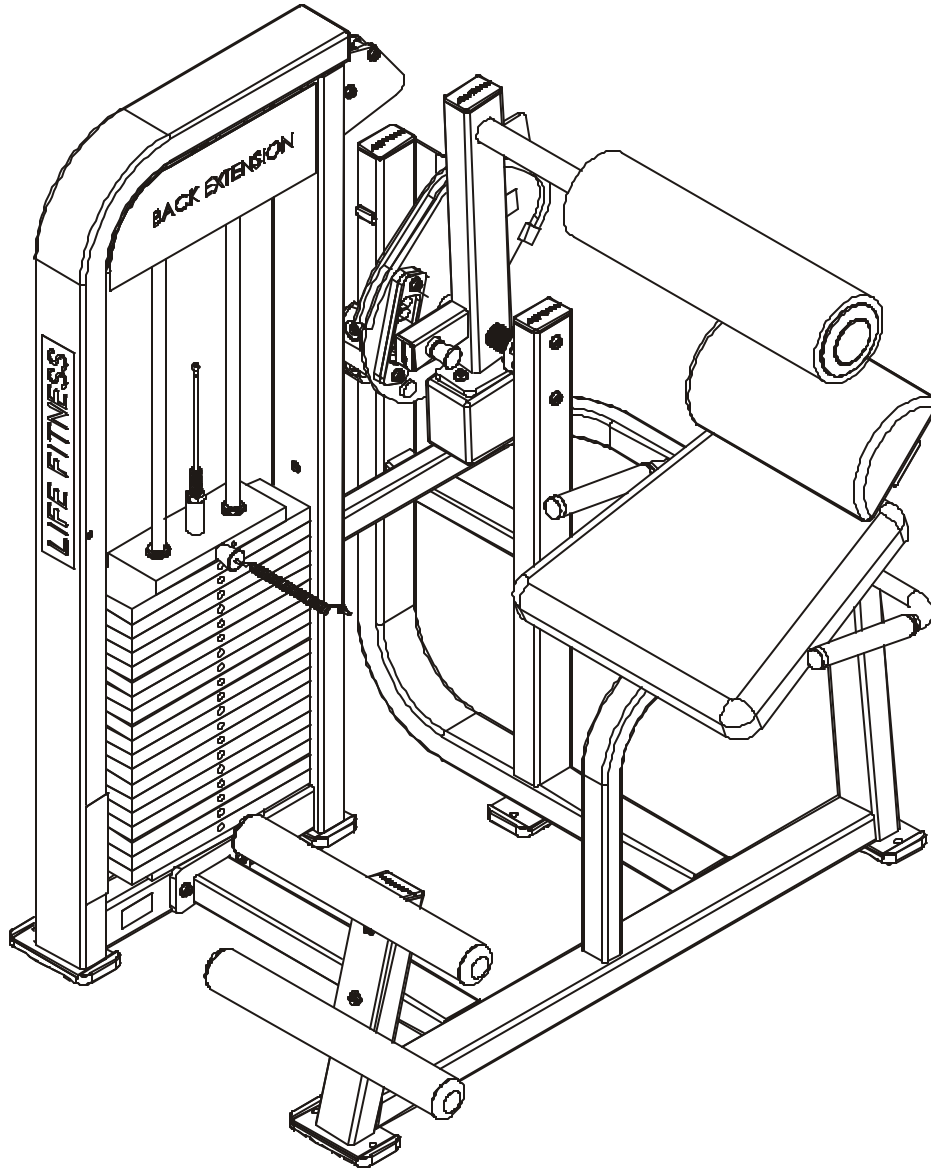


Life Fitness

PRO SERIES II PSBESE BACK EXTENSION



Customer Support Services ***PARTS MANUAL***

PSBESE BACK EXTENSION

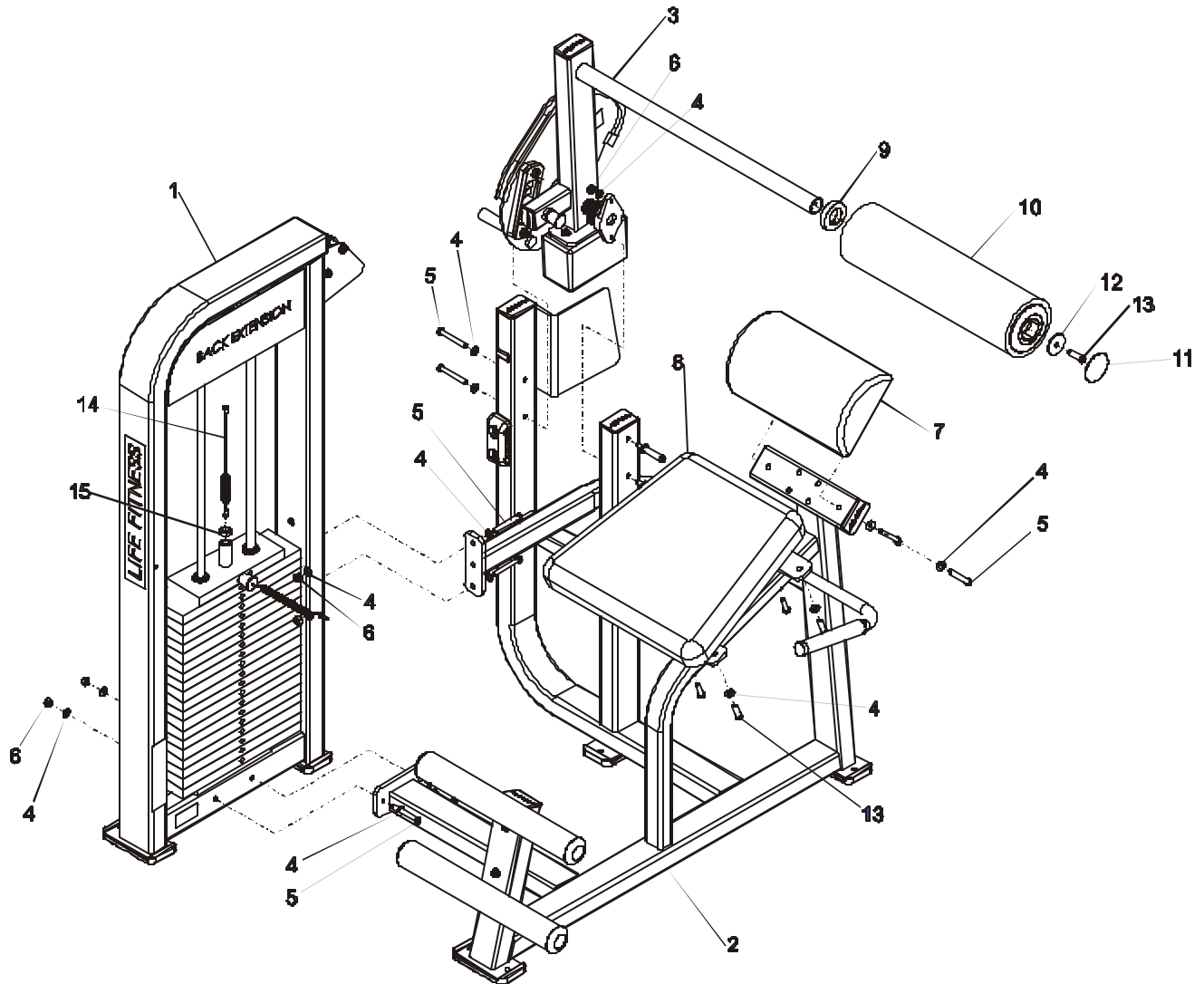
Notes:

PSBESE BACK EXTENSION

Contents

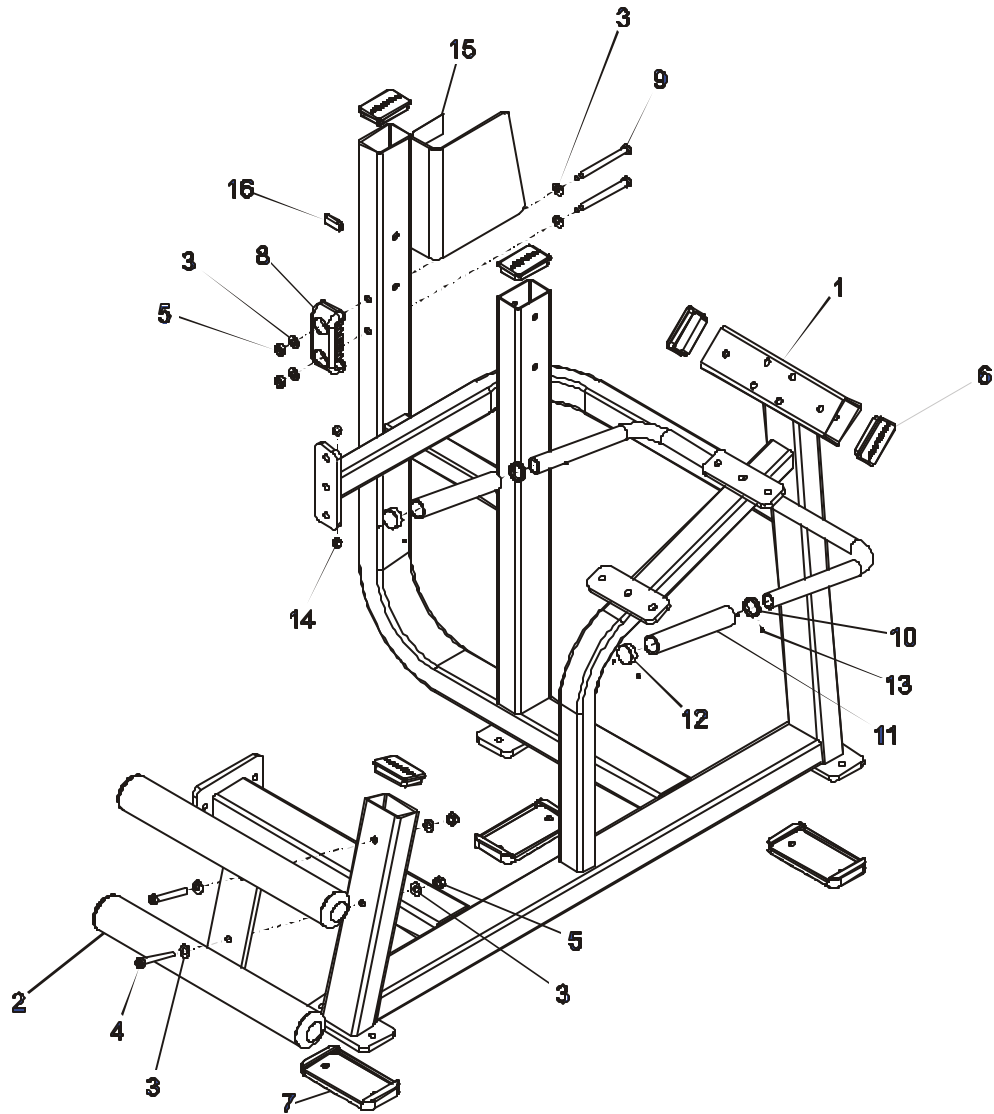
	PAGE
COMPONENT ASSEMBLY	4
MAIN FRAME ASSEMBLY	5
WORK ARM ASSEMBLY.....	6
WEIGHT FRAME ASSEMBLY	7
ADD-ON INCREMENT WEIGHT	8
INCREMENT WEIGHT W/STRIKER	9
FULL SHIELD KIT	10

PSBESE BACK EXTENSION COMPONENT ASSEMBLY



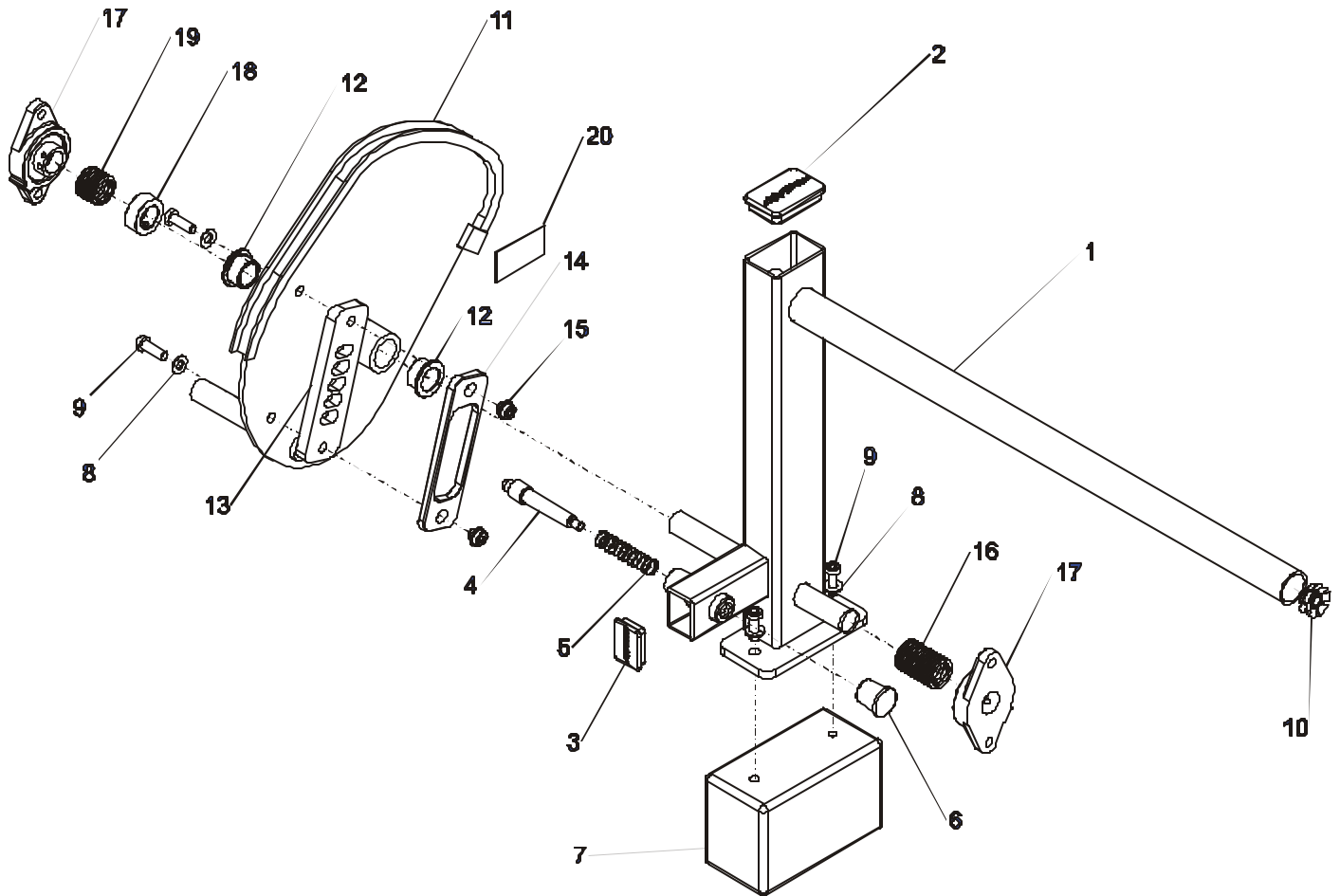
ITEM NO.	QTY.	PART NO.	DESCRIPTION
1	1	7541901	ASSY, PSBE STACK FRAME
2	1	7544301	ASSY, PSBE MAIN FRAME
3	1	7544401	ASSY, PSBE WORK ARM
4	22	3236601	WASHER, 3/8 SAE SS
5	10	3236212	SCREW, M10 X1.5 75MM
6	8	3236801	NUT, M10 HEX NYLOCK SS
7	1	7544501	PAD, LUMBAR
8	1	7399101	PAD, 17 X 18 1/2
9	1	7357901	SHAFT COLLAR, 1-1/2" ID ALUM
10	1	7392801	ASSY, ROLLER PAD - LONG
11	1	7308701	CAP, BEARING HOUSING
12	1	7322301	PLATE, 1.97 OD X .44 ID 10GA
13	5	3236204	SCREW, M10 X1.5 35MM
14	1	7423713	CABLE, PSBE
15	1	3236902	NUT, M16 X 2 HEX JAM SS

PSBESE BACK EXTENSION MAIN FRAME ASSEMBLY



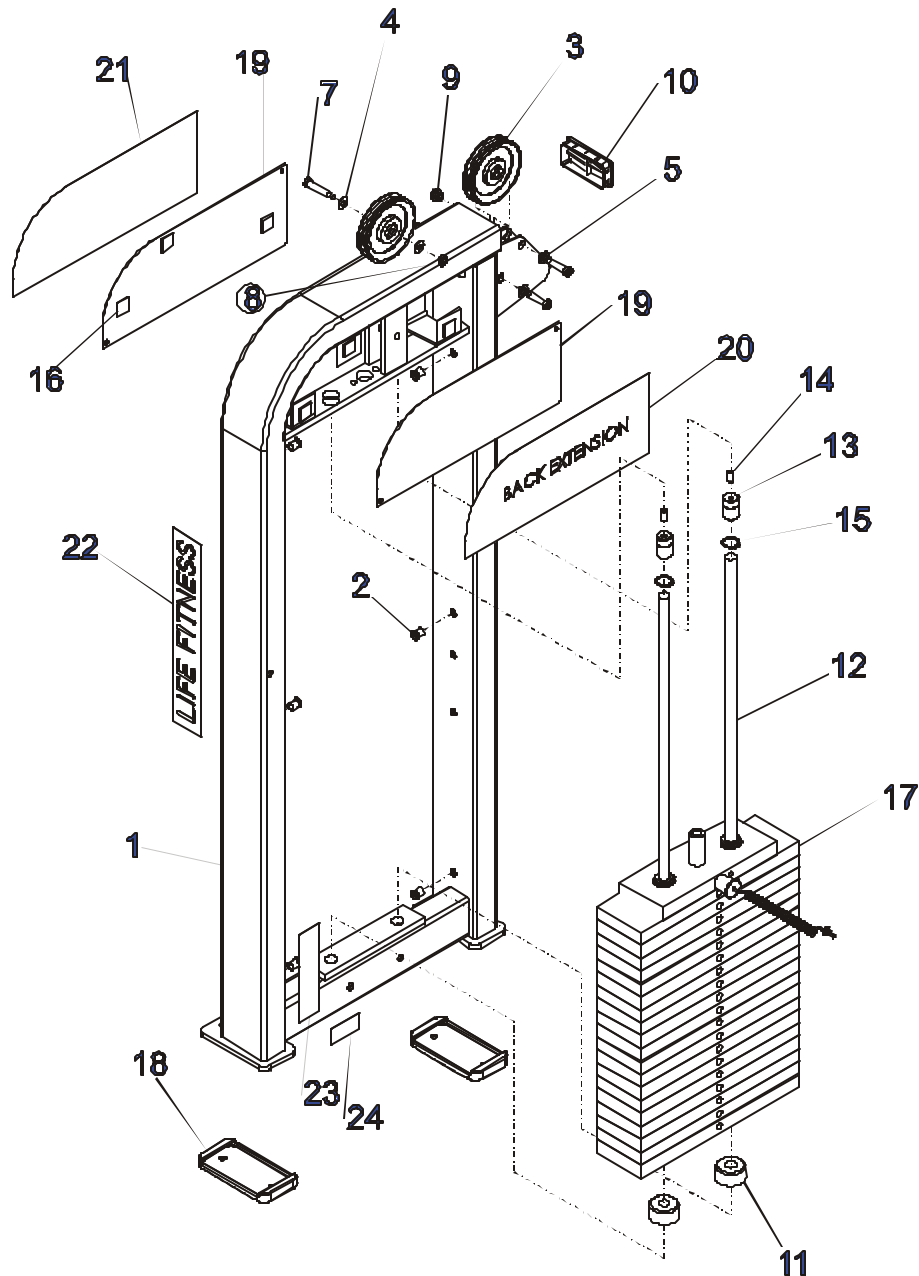
ITEM NO.	QTY.	PART NO.	DESCRIPTION
1	1	7542001	WLDMT. PSBE SEAT FRAME
2	1	7544001	WLDMT. PSBE FOOT REST
3	8	3236601	WASHER, 3/8 SAE SS
4	2	3236212	SCREW, M10 X1.5 75MM
5	4	3236801	NUT, M10 HEX_NYLOCK SS
6	5	7352301	CAP, END 2 X 3
7	3	7388201	Footpad, PS Rubber
8	1	7352001	BUMPER, 2-1/8 X 4-5/8
9	2	3236217	SCREW, M10 X1.5 100MM
10	2	7315601	RING, GRIP 1.25 OD
11	2	3235801	GRIP, 1.25 OD OPEN END
12	2	7306901	CAP, GRIP 1.25 OD
13	8	3237201	M3 X .5 HXS NO CUP ST BO
14	2	3237401	PLUG, 7/16" HOLE
15	1	7422003	LABEL, MOVING PARTS
16	1	7570801	Guard, Paint 1.25"x.75"x.25"

PSBESE BACK EXTENSION WORK ARM ASSEMBLY



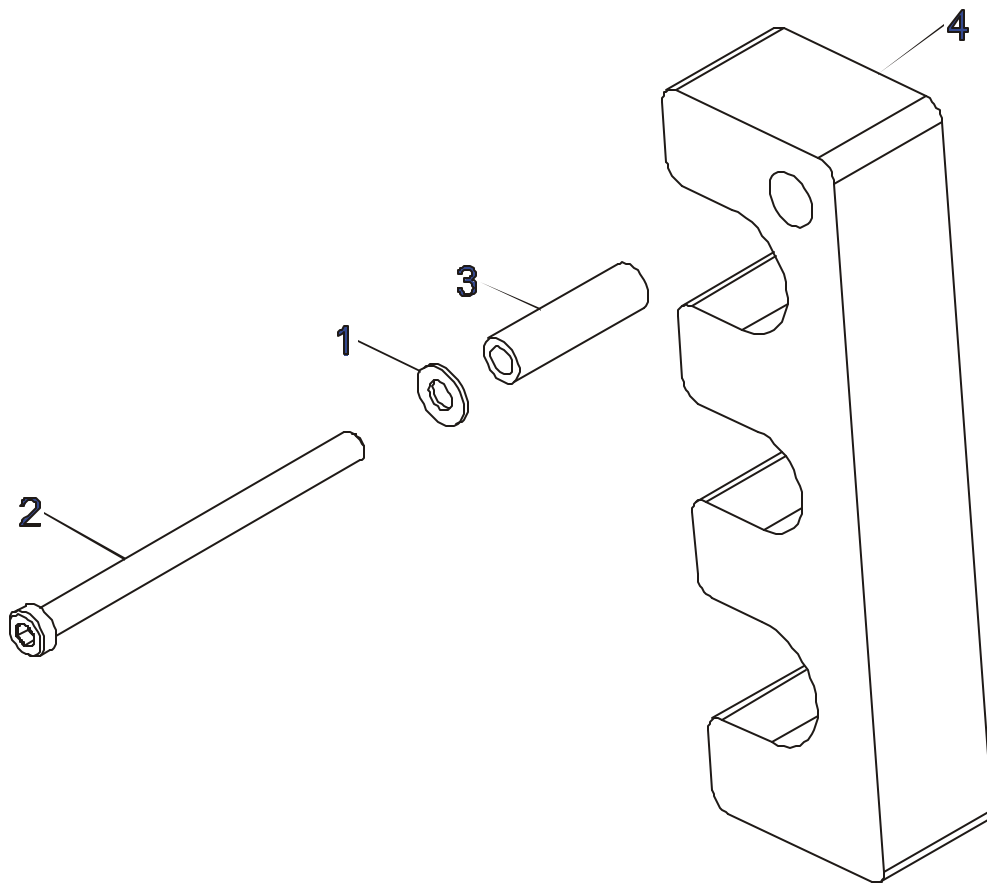
ITEM NO.	QTY.	PART NO.	DESCRIPTION
1	1	7543001	WLDMT, PSBE WORKARM
2	1	7352301	CAP, END 2 X 3
3	1	7352201	CAP, END 1-1/2 X 2
4	1	7351301	PIN, PULL
5	1	7351501	SPRING; PULL PIN LARGE
6	1	7351401	KNOB, TULIP STYLE
7	1	7365901	WEIGHT, COUNTER MED
8	4	3236601	WASHER, 3/8 SAE SS
9	4	3236203	SCREW, M10 X1.5 30MM
10	1	7347301	NUT, SPIDER M10 X 1.5
11	1	7543501	WLDMT, PSBE CAM
12	2	3104903	1.00" ID 1.25" OD BRONZ BUSHING
13	1	7352501	5-HOLE SELECTOR PLATE
14	1	7350901	PLATE, SLOT STOP
15	2	7335401	NUT, M10 X 1.5 SOCKET HEAD
16	1	6912804	SLEEVE, ACCRDN 1.0 ID X 2
17	2	3237701	ASSY, PILLOW BLOCK 4.88 X 2.75
18	1	3103303	SHAFT COLLAR, 1.0 I.D. ZINC
19	1	6912807	SLEEVE, ACCRDN 1.0 ID X 1
20	1	7422003	LABEL, MOVING PARTS

PSBESE BACK EXTENSION WEIGHT FRAME ASSEMBLY



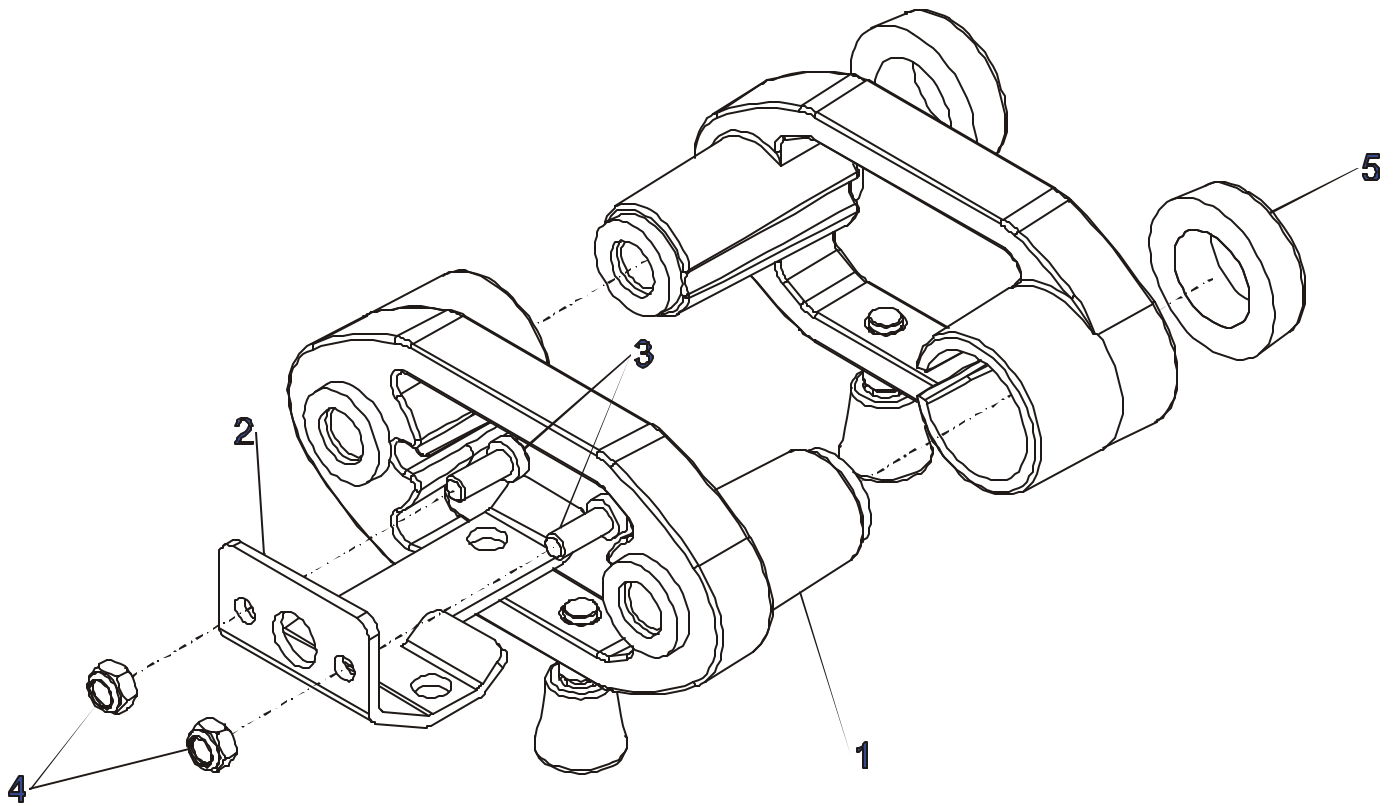
ITEM NO.	QTY.	PART NO.	DESCRIPTION	ITEM NO.	QTY.	PART NO.	DESCRIPTION
1	1	7541601	WLDMT. PSBE STACK FRAME	13	2	7402301	RETAINER, GUIDEROD
2	6	3238101	NUT, BLIND INSERT M10 X 1.5	14	2	3240501	M10 X 1.5 HXS NO CUP ST BO
3	2	3237801	PULLEY, 4.5" OD	15	2	3232421	RING, BRE .94C, 5' 00-100 ST PP B
4	2	3236601	WASHER, 3/8 SAE SS	16	12	7544201	PAD, DUAL LOCK 250, 1" X 1"
5	2	7348101	WASHER, SPACER	17	1	7353501	ASSY, 300LB STACK
6	2	3236205	SCREW, M10 X1.5 40MM	18	2	7388201	Footpad, PS Rubber
7	1	3236206	SCREW, M10 X1.5 45MM	19	2	7606602	COVER, STACK-PRO2 STD
8	1	3236901	NUT, M10 X 1.5 JAM	20	1	7445301	LABEL, PSBE PLACARD
9	2	7335401	NUT, M10 X 1.5 SOCKET HEAD	21	1	7445401	LABEL, PSBE LOGO PANEL
10	1	7352401	CAP, END 2 X 4	22	1	7348001	LABEL, LIFE FITNESS LOGO
11	2	7352101	CUSHION, WEIGHT STACK	23	1	7422004	LABEL, 2" ASTM WARN
12	2	7328604	GUIDE ROD, .75 OD SOLID 43.88	24	1	7422007	LABEL, SERIAL NO

**PSBESE BACK EXTENSION
ADD-ON INCREMENT WT ASSY**



ITEM NO	QTY.	PART NO	DESCRIPTION
1	1	3236601	WASHER, 3/8 SAE SS
2	1	3236221	SCREW, M10 X1.5 140MM
3	1	7401701	COVER, PLASTIC PEG 2-1/4
4	1	7366101	WEIGHT, 7.5 LB. ADD-ON

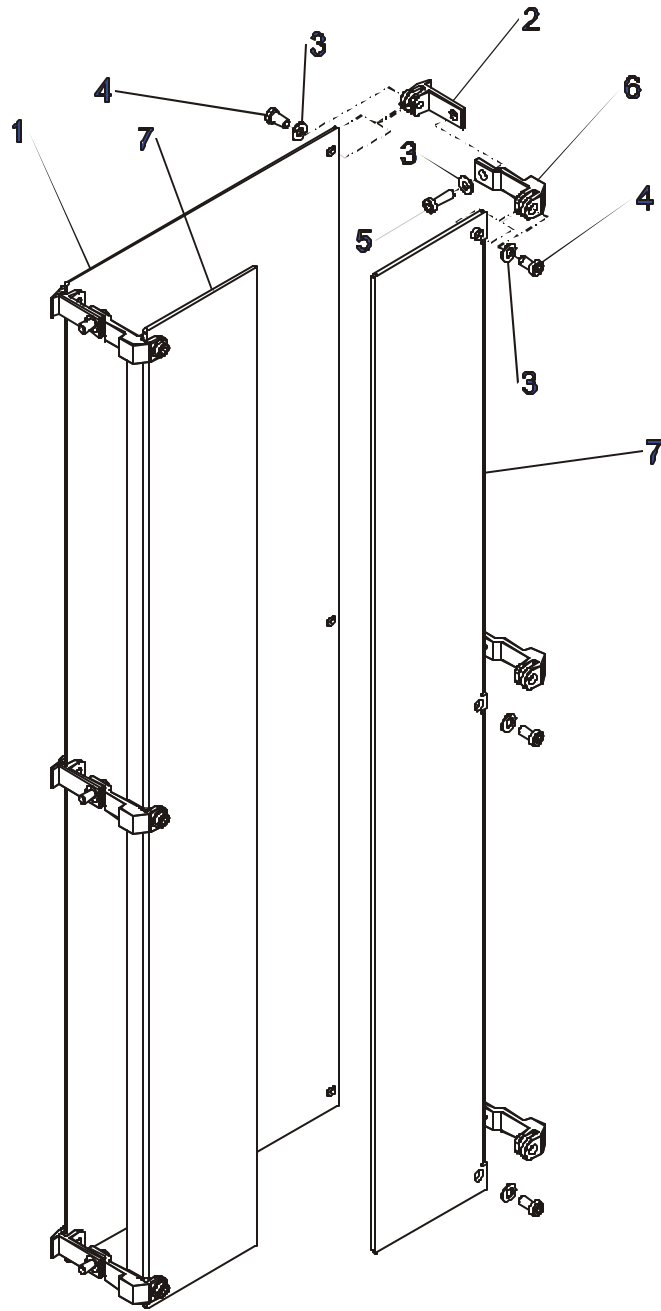
**PSBESE BACK EXTENSION
INCREMENT WEIGHT W/STRIKER**



ITEM NO.	QTY.	PART NO.	DESCRIPTION
1	2	7446501	ASSY, 5LB INCREMENT WEIGHT
2	1	7447101	PLATE, INCR. WT STRIKER
3	2	3236202	SCREW, M10 X1.5 25MM
4	2	3236801	NUT, M10 HEX NYLOCK SS
5	2	7597101	BUMPER, PS INCREMENT WT

PSBESE BACK EXTENSION

FULL SHIELD KIT



ITEM NO.	QTY.	PART NO.	DESCRIPTION
1	1	SEE DASH BLOCK	SHIELD, PS REAR
2	6	7655301	BRACKET, PS REAR
3	18	3236601	WASHER, 3/8 SAE SS
4	12	3236201	SCREW, M10 X1.5 20MM
5	6	3236203	SCREW, M10 X1.5 30MM
6	6	7376601	BRACKET, PS FRONT
7	2	SEE DASH BLOCK	SHIELD, PS - FRONT