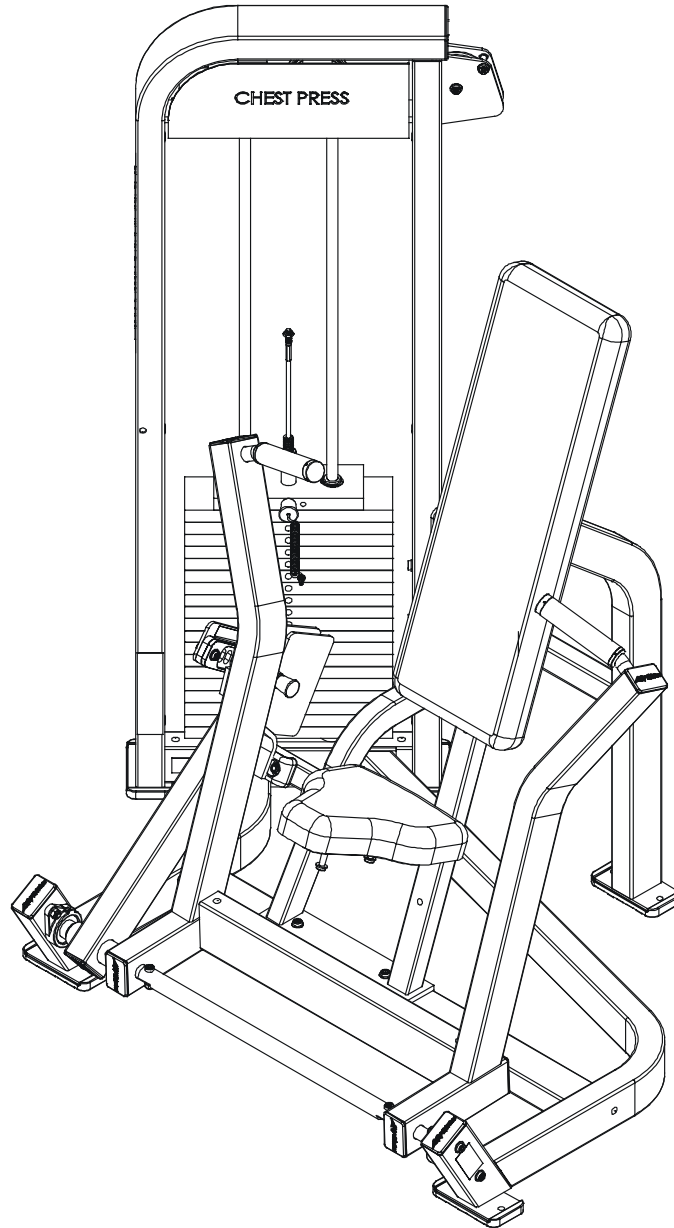


LifeFitness

PRO SERIES II PSCPSE CHEST PRESS



Customer Support Services ***PARTS MANUAL***

PSCPSE CHEST PRESS

Notes:

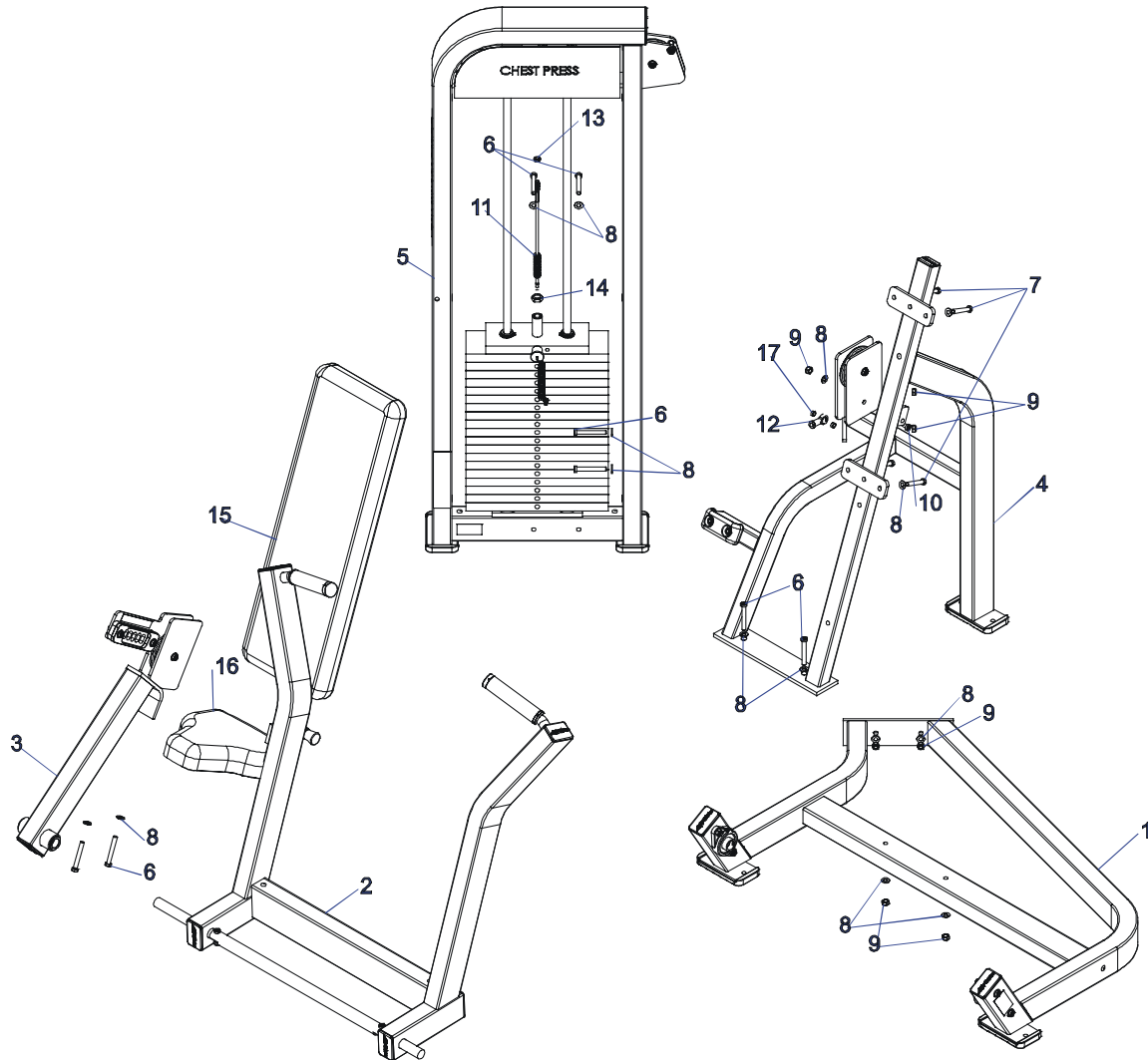
PSCPSE CHEST PRESS

Contents

	PAGE
COMPONENT ASSEMBLY.....	4
97 DEGREE SEAT ASSEMBLY	5
WORKBOX ASSEMBLY.....	6
SEAT FRAME ASSEMBLY.....	7
STACK FRAME ASSEMBLY.....	8
WEIGHT STACK 300LB	9
ADJUSTABLE ARM ASSEMBLY.....	10
WORK ARM ASSEMBLY	11
INCREMENT WEIGHT STACK W/STRIKER.....	12
SHROUD KIT STD-MED	13

PSCPSE CHEST PRESS

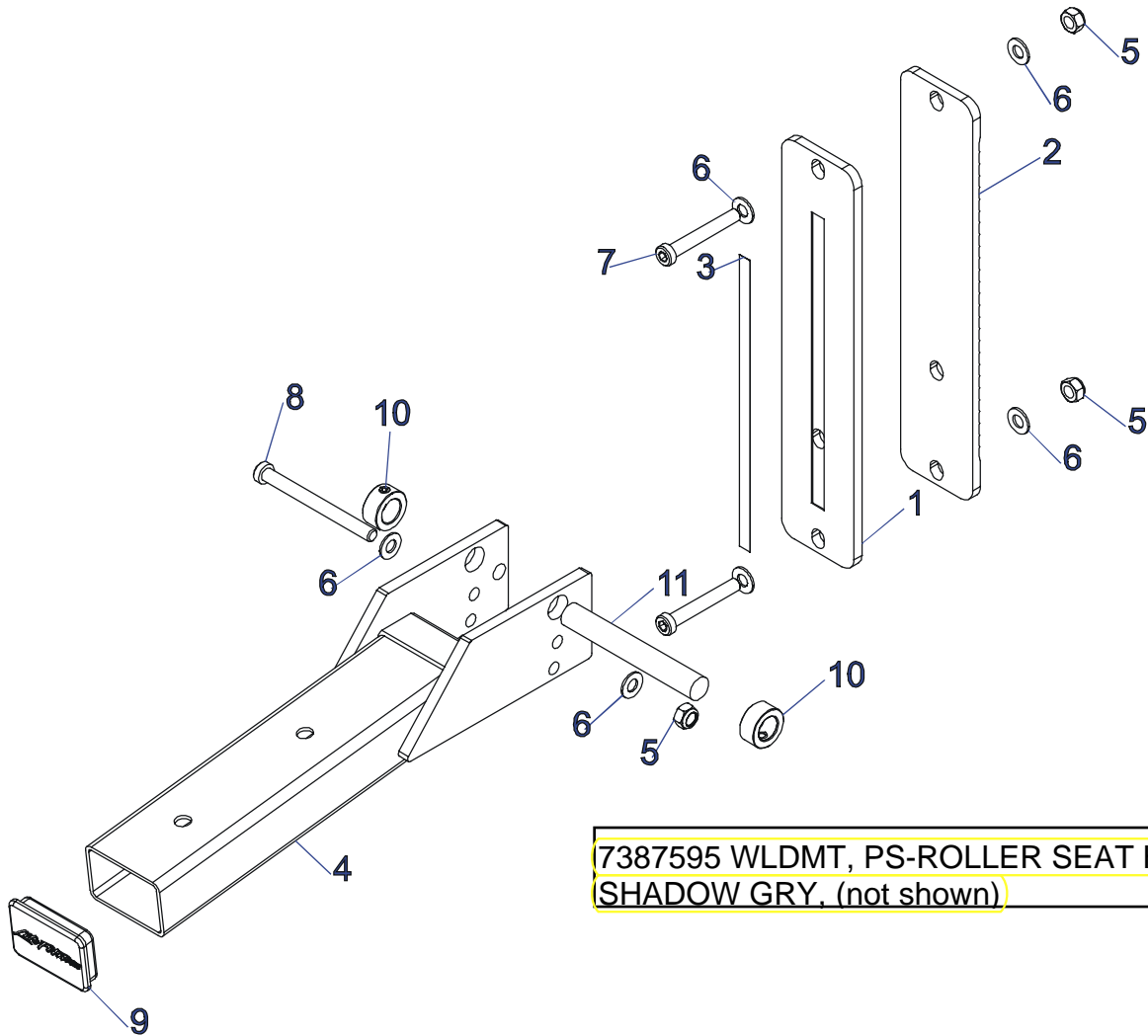
COMPONENT ASSEMBLY



ITEM NO.	QTY.	PART NO.	DESCRIPTION
1	1	7366301	ASSY,PSCP WORKBOX
2	1	7367101	ASSY,PSCP WORK ARM
3	1	7366901	ASSY,PSCP ADJ ARM
4	1	7366501	ASSY, PSCP SEAT FRAME
5	1	7366701	ASSY,PSCP STACK FRAME
6	8	3236212	SCREW, M10 X1.5 75MM
7	4	3236209	SCREW, M10 X1.5 60MM
8	20	3236601	WASHER, 3/8 SAE SS
9	7	3236801	NUT, M10 HEX NYLOCK SS
10	1	3236207	SCREW, M10 X1.5 50MM
11	1	7423602	CABLE, PSCP
12	1	3237901	ROD END, METRIC FEMALE
13	1	3236901	NUT, M10 X 1.5 JAM
14	1	3236902	NUT, M16 X 2 HEX JAM SS
15	1	7354001	PAD, BACK 32-1/2 X 11-1/4
16	1	7351901	PAD, SADDLE
17	2	7489402	BSHNG, .500 OD X .402 ID

PSCPSE CHEST PRESS

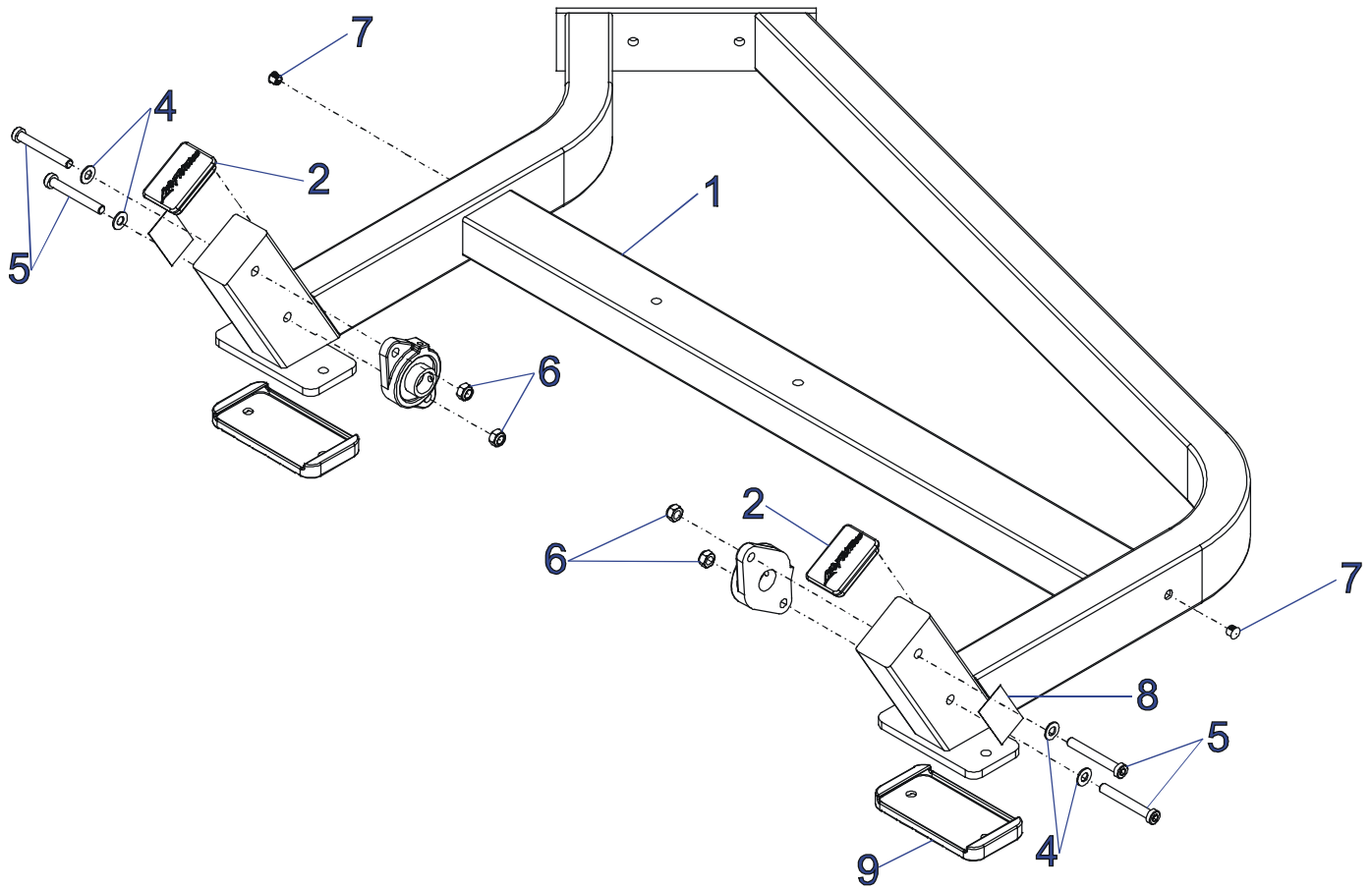
97 DEGREE SEAT ASSEMBLY



7387595 WLDMT, PS-ROLLER SEAT HANDLE
SHADOW GRY. (not shown)

ITEM NO.	QTY.	PART NO.	DESCRIPTION
1	1	7359701	SEATRACK FRONT
2	1	7359801	SEATRACK BACK
3	1	7422002	LABEL, SEAT ADJUST
4	1	7358801	WLDMT, 7 DEG. STD. HAMMER SEAT
5	3	3236801	NUT, M10 HEX NYLOCK SS
6	6	3236601	WASHER, 3/8 SAE SS
7	2	3236211	SCREW, M10 X1.5 70MM
8	1	3236218	SCREW, M10 X1.5 110MM
9	1	7352301	CAP, END 2 X 3
10	2	3103301	SHAFT COLLAR, 3/4 I.D. ZINC
11	1	7359301	.75" SS ROUND SEAT PIN

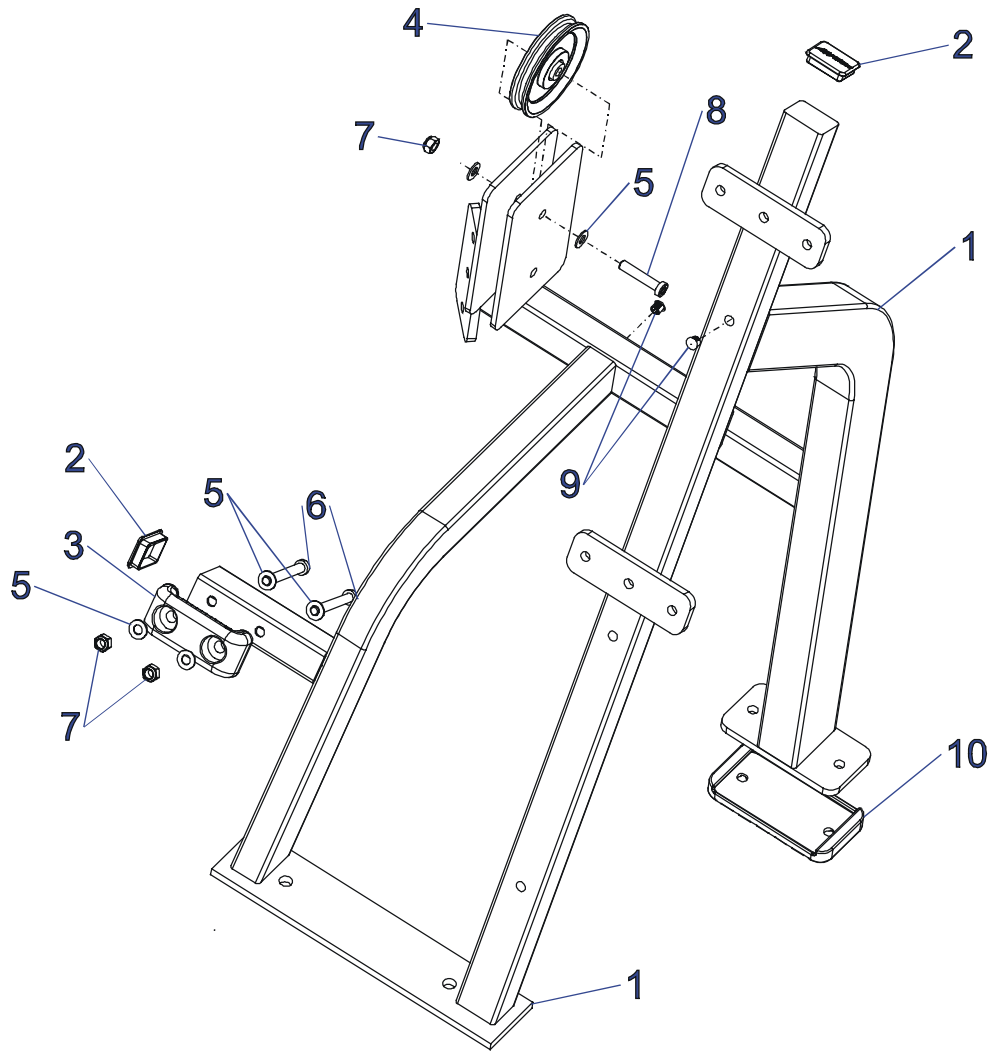
PSCPSE CHEST PRESS WORKBOX ASSEMBLY



ITEM NO	QTY.	PART NO.	DESCRIPTION
1	1	7366401	WLDMT-PSCP-WORKBOX
2	2	7352301	CAP, END 2 X 3
3	2	3237701	ASSY, PILLOW BLOCK 4.88 X 2.75
4	4	3236601	WASHER, 3/8 SAE SS
5	4	3236212	SCREW, M10 X1.5 75MM
6	4	3236801	NUT, M10 HEX NYLOCK SS
7	2	3237401	PLUG, 7/16" HOLE
8	2	7422003	LABEL, MOVING PARTS
9	2	7388201	Footpad, PS Rubber

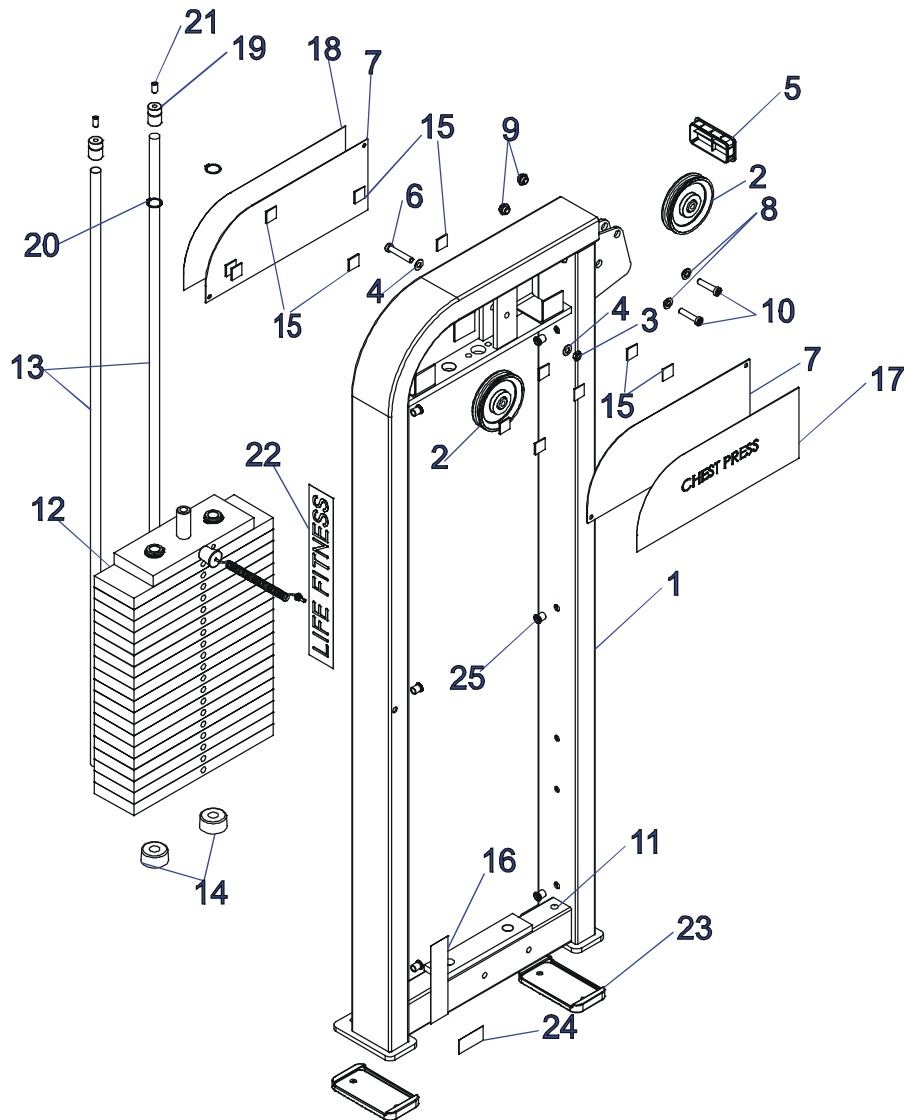
PSCPSE CHEST PRESS

SEAT FRAME ASSEMBLY



ITEM NO	QTY	PART NO.	DESCRIPTION
1	1	7366601	WLDMT,PSCP SEAT FRAME
2	2	7352201	CAP, END 1-1/2 X 2
3	1	7352001	BUMPER, 2-1/8 X 4-5/8
4	1	3237801	PULLEY, 4.5" OD
5	6	3236601	WASHER, 3/8 SAE SS
6	2	3236213	SCREW, M10 X1.5 80MM
7	3	3236801	NUT, M10 HEX NYLOCK SS
8	1	3236207	SCREW, M10 X1.5 50MM
9	2	3237401	PLUG, 7/16" HOLE
10	1	7388201	Footpad, PS Rubber

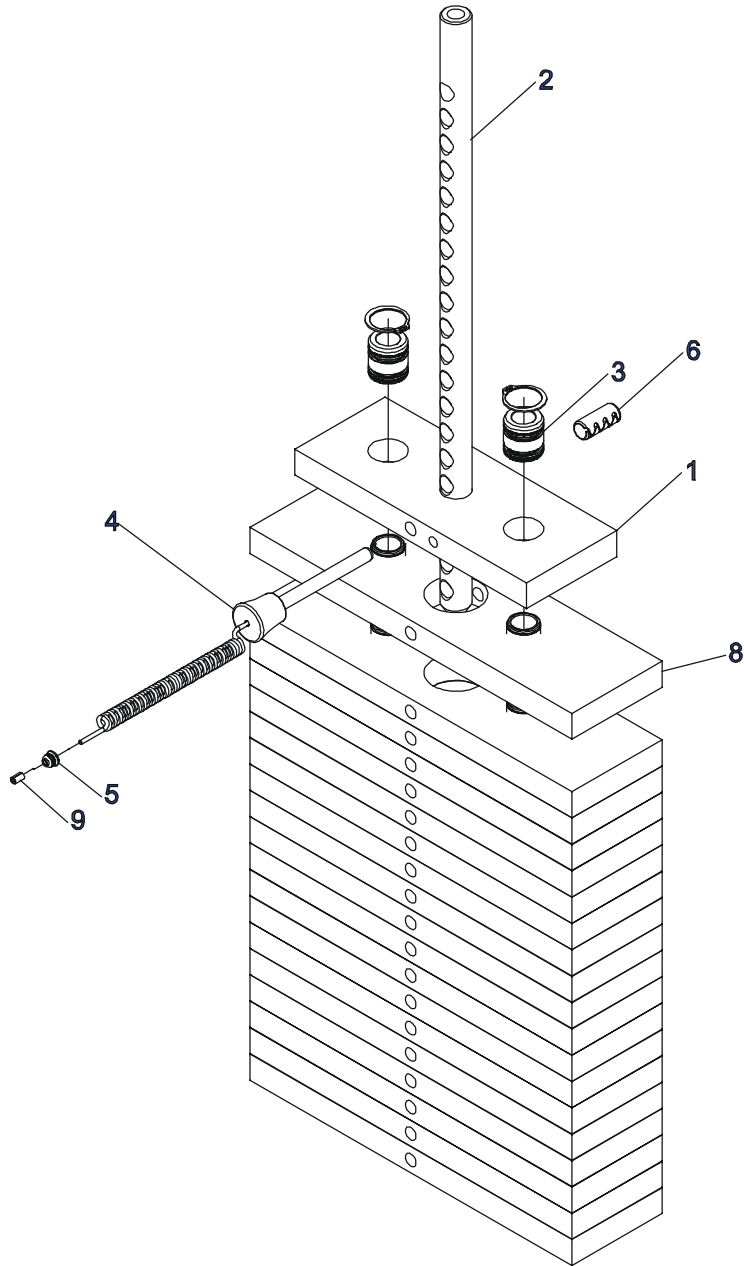
PSCPSE CHEST PRESS STACK FRAME ASSEMBLY



ITEM NO	QTY	PART NO.	DESCRIPTION	ITEM NO	QTY	PART NO.	DESCRIPTION
1	1	7366801	WLDMT, PSCP, STACK FRAME	14	2	7352101	CUSHION, WEIGHT STACK
2	2	3237801	PULLEY, 4.5" OD	15	12	7544201	PAD, DUAL LOC 400, 1" X 1"
3	1	3236901	NUT, M10 X 1.5 JAM	16	1	7422004	LABEL, 2" ASTM WARN
4	2	3236601	WASHER, 3/8 SAE SS	17	1	7425401	LABEL, PSCP PLACARD
5	1	7352401	CAP, END 2 X 4	18	1	7490501	LABEL, PSCP LOGO PANEL
6	1	3236208	SCREW, M10 X1.5 55MM	19	2	7402301	RETAINER, GUIDEROD
7	2	7353201	COVER, STACK STD	20	2	3232421	RING, BRE .940, 5100-100 ST PP B
8	2	7348101	WASHER, SPACER	21	2	3240501	M10 X 1.5 HXS NO CUP ST BO
9	2	7335401	NUT, M10 X 1.5 SOCKET HEAD	22	1	7348001	LABEL, LIFE FITNESS LOGO
10	2	3236206	SCREW, M10 X1.5 45MM	23	2	7388201	Footpad, PS Rubber
11	2	3237401	PLUG, 7/16" HOLE	24	1	7422007	LABEL, SERIAL NO
12	1	7353501	ASSY, 300LB STACK	25	6	3238101	NUT, BLIND INSERT M10 X 1.5
13	2	7328605	GUIDE ROD, .75 OD SOLID 52.38				

PSCPSE CHEST PRESS

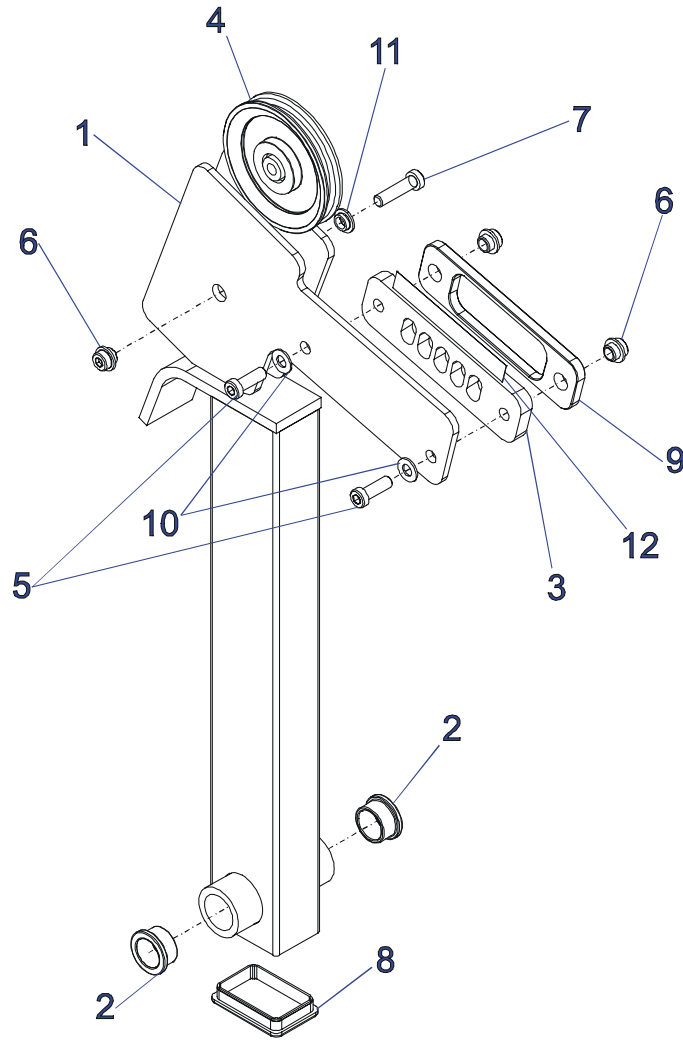
WEIGHT STACK 300LB



ITEM NO	QTY	PART NO.	DESCRIPTION
1	1	7353901	HEADPLATE, WT. STACK
2	1	7356600	STEM, PRO2 19 HOLE
3	2	7338001	BUSHING, HEADPLATE
4	1	7353001	ASSY, SELECTOR PIN
5	1	7356501	PLUG, LANYARD ATTACHMENT
6	1	3236001	BUSHING, SPRING PIN
8	19	7353801	ASSY, 15 LB PLATE
9	1	7523601	CRIMP, CABLE

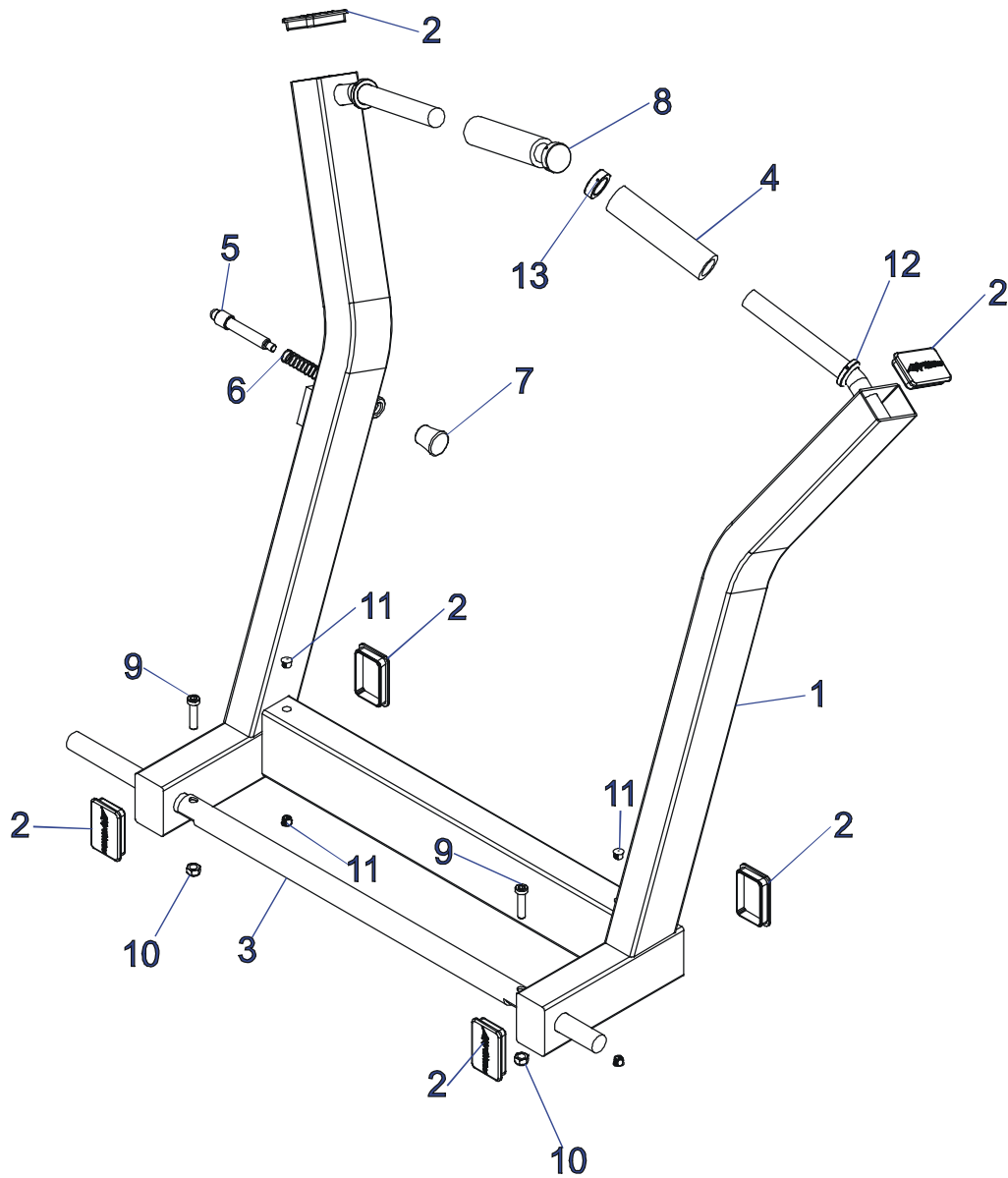
PSCPSE CHEST PRESS

ADJUSTABLE ARM ASSEMBLY



ITEM NO.	QTY.	PART NO.	DESCRIPTION
1	1	7379601	WLDMT, PSCP ADJ ARM
2	2	3104906	1.00" ID 1.25" OD BRONZ BUSHING
3	1	7352501	5-HOLE SELECTOR PLATE
4	1	3237801	PULLEY, 4.5" OD
5	2	3236203	SCREW, M10 X1.5 30MM
6	3	7335401	NUT, M10 X 1.5 SOCKET HEAD
7	1	3236205	SCREW, M10 X1.5 40MM
8	1	7352301	CAP, END 2 X 3
9	1	7350901	PLATE, SLOT STOP
10	2	3236601	WASHER, 3/8 SAE SS
11	1	7348101	WASHER, SPACER
12	1	7422008	LABEL, 5 HOLE SELECTOR

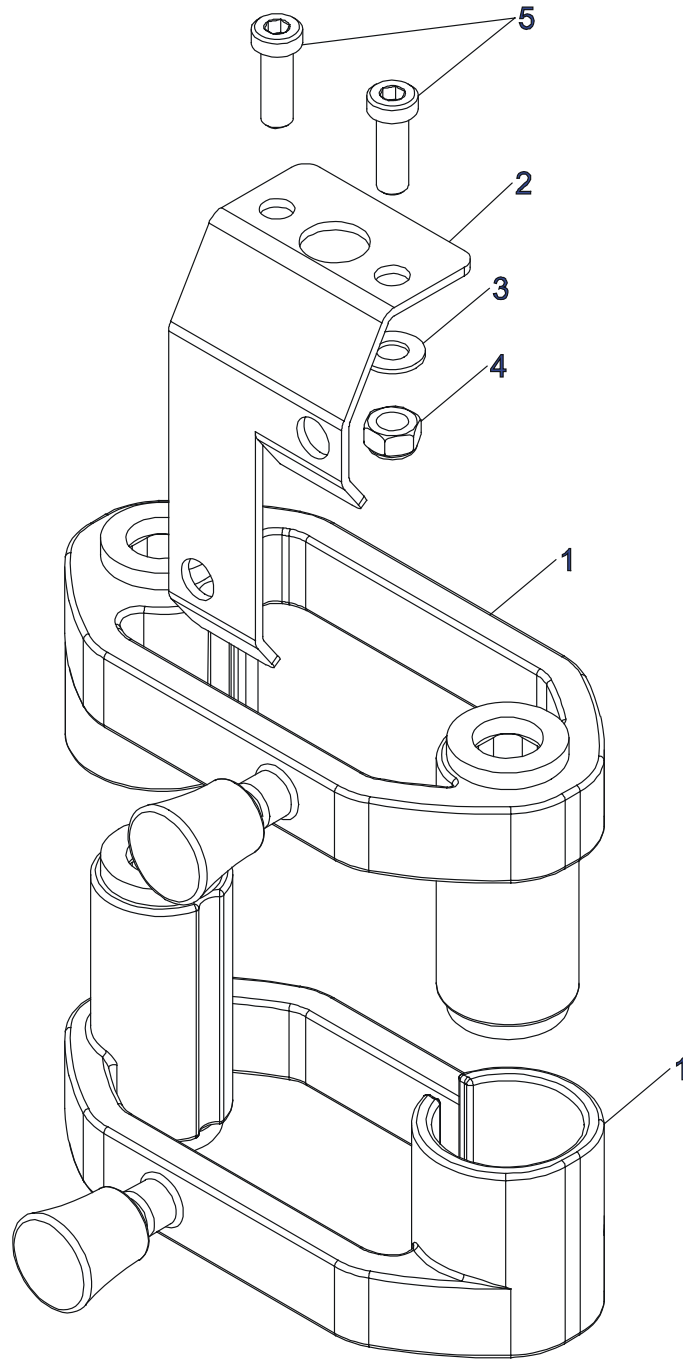
PSCPSE CHEST PRESS WORK ARM ASSEMBLY



ITEM NO.	QTY.	PART NO.	DESCRIPTION
1	1	7367201	WLDMT-PSCP-MOVEMENT ARM
2	6	7352301	CAP, END 2 X 3
3	1	7353302	TUBE, PSCP FOOT REST LINEXED
4	2	3235802	GRIP, 1.50 OD OPEN END
5	1	7351301	PIN, PULL
6	1	7351501	SPRING; PULL PIN LARGE
7	1	7351401	KNOB, TULIP STYLE
8	2	7306902	RING, GRIP 1.50 OD
9	2	3236205	SCREW, M10 X1.5 40MM
10	2	3236801	NUT, M10 HEX NYLOCK SS
11	4	3237401	PLUG, 7/16" HOLE
12	2	7315602	RING, GRIP
13	8	3237201	PLUG, 1.5 X 1.5 NO CUP ST BO

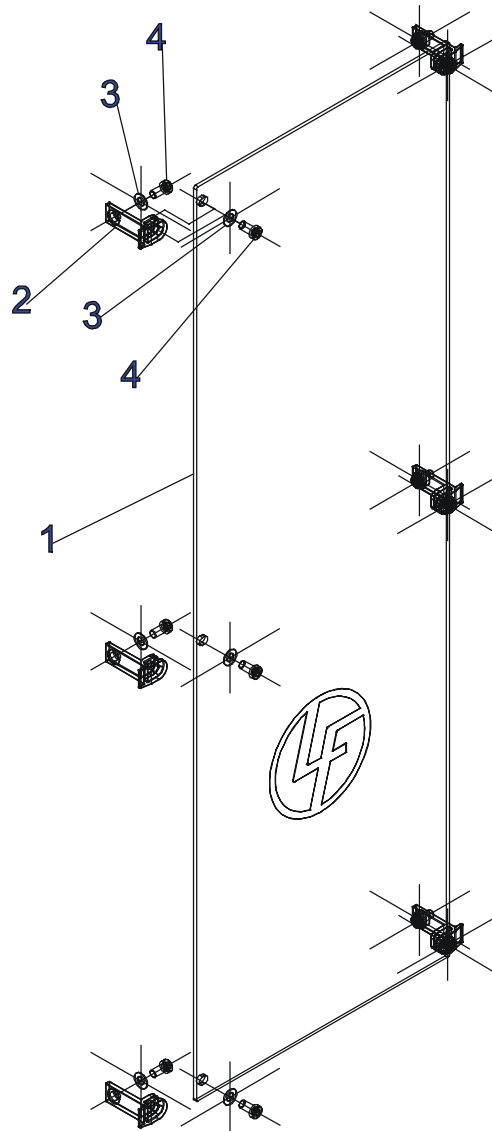
PSCPSE CHEST PRESS

INCREMENT WEIGHT W/STRIKER



ITEM NO.	QTY.	PART NO.	DESCRIPTION
1	2	7446501	ASSY, 5LB INCREMENT WEIGHT
2	1	7447101	PLATE, INCR. WT STRIKER
3	2	3236601	WASHER, 3/8 SAE SS
4	2	3236801	NUT, M10 HEX NYLOCK SS
5	2	3236203	SCREW, M10 X1.5 30MM

PSCPSE CHEST PRESS SHROUD KIT STD-MED



ITEM NO.	QTY.	PART NO.	DESCRIPTION
1	1	7376802	SHIELD, PS REAR
2	6	7655301	BRACKET, PS REAR
3	12	3236601	SHIELD
4	12	3236201	SCREW, M10 X1.5 20MM