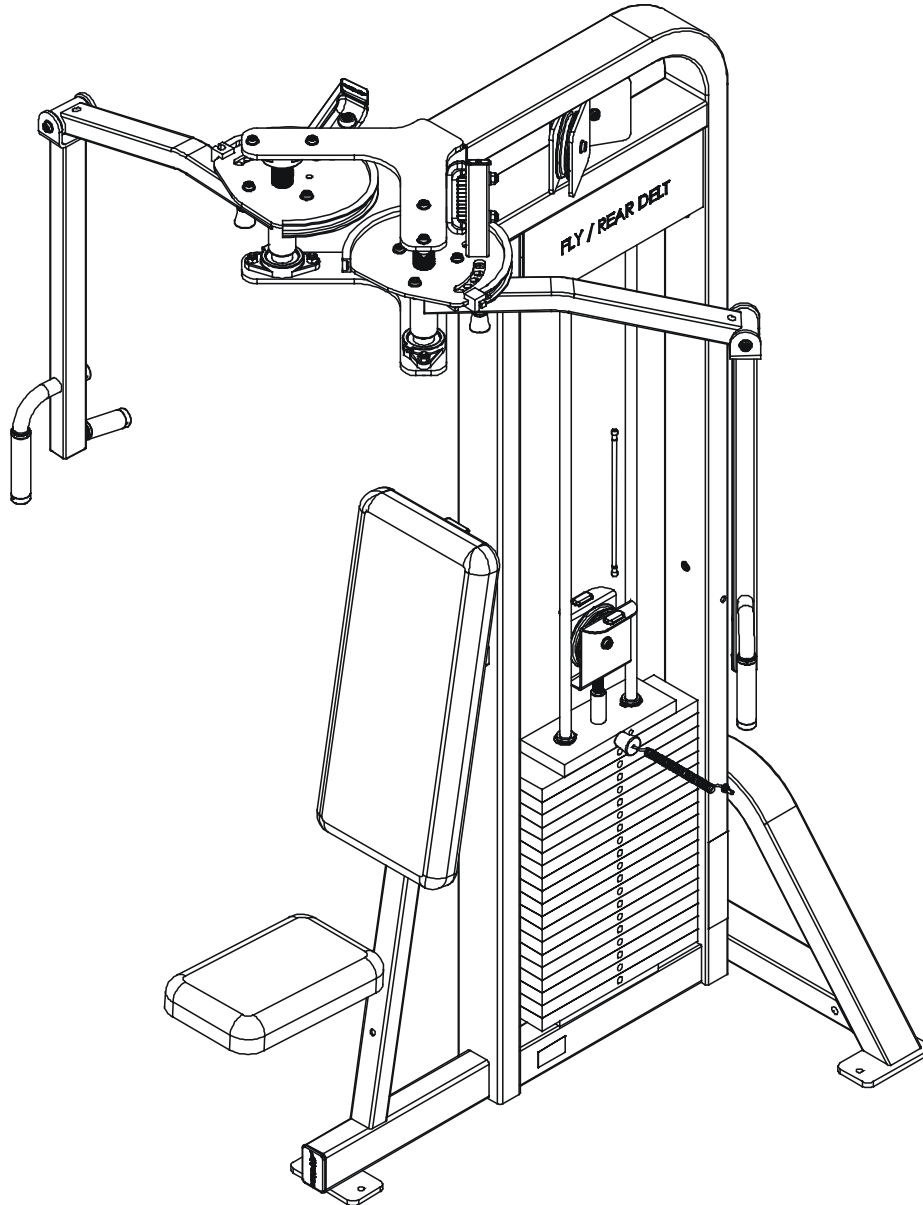


# *LifeFitness*

## PRO SERIES II PSFLYSE REAR DELTOID ASSEMBLY



## Customer Support Services ***PARTS MANUAL***

# PSFLYSE REAR DELTOID ASSEMBLY

Notes:

---

# PSFLYSE REAR DELTOID ASSEMBLY

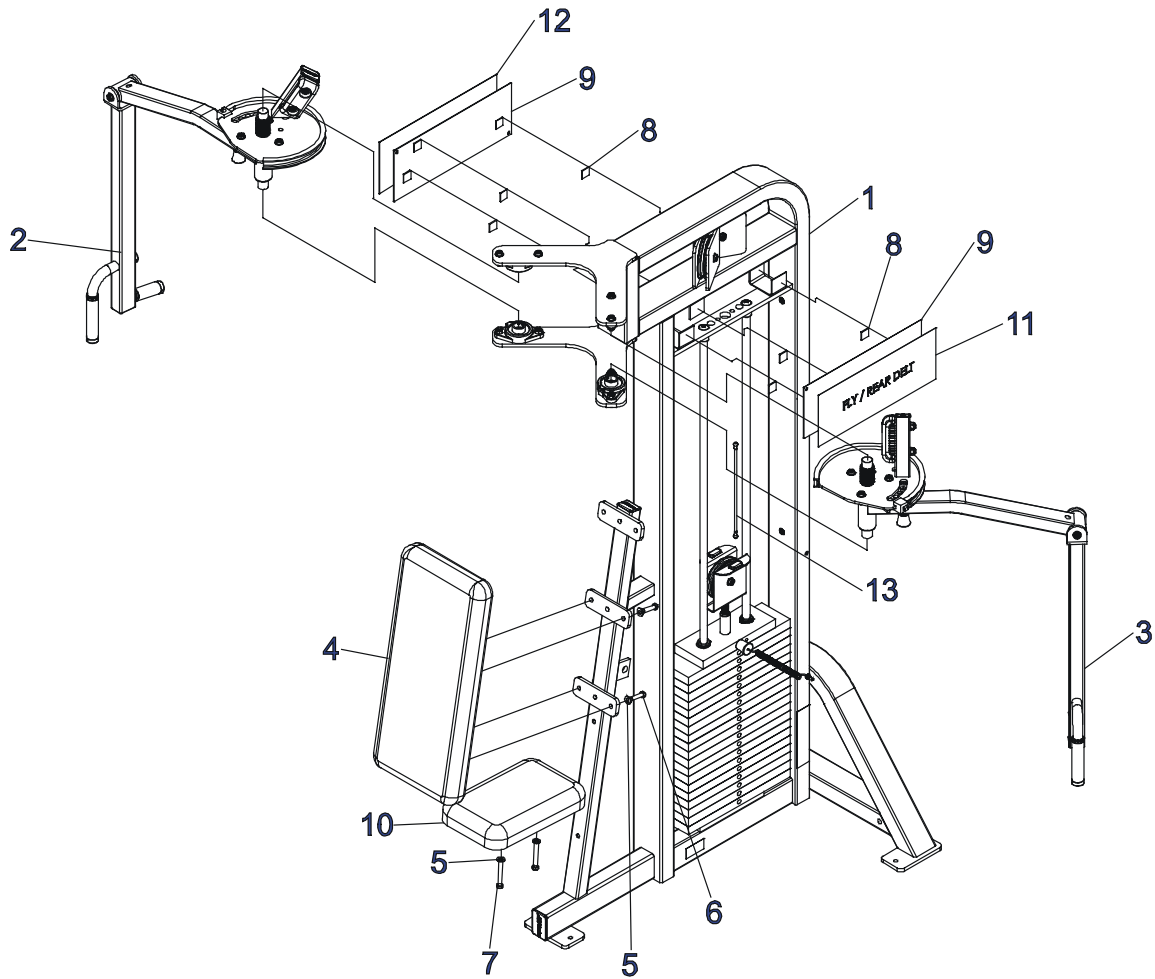
## Contents

---

	PAGE
COMPONENT ASSEMBLY.....	4
STACKFRAME ASSEMBLY.....	5
WORKARM RIGHT ASSEMBLY .....	6
WORKARM LEFT ASSEMBLY .....	7
90 ROLLER SEAT ASSEMBLY.....	8
INCREMENT WT W/STRIKER.....	9
WEIGHT STACK 300LB .....	10
SHROUD KIT .....	11

# PSFLYSE REAR DELTOID ASSEMBLY

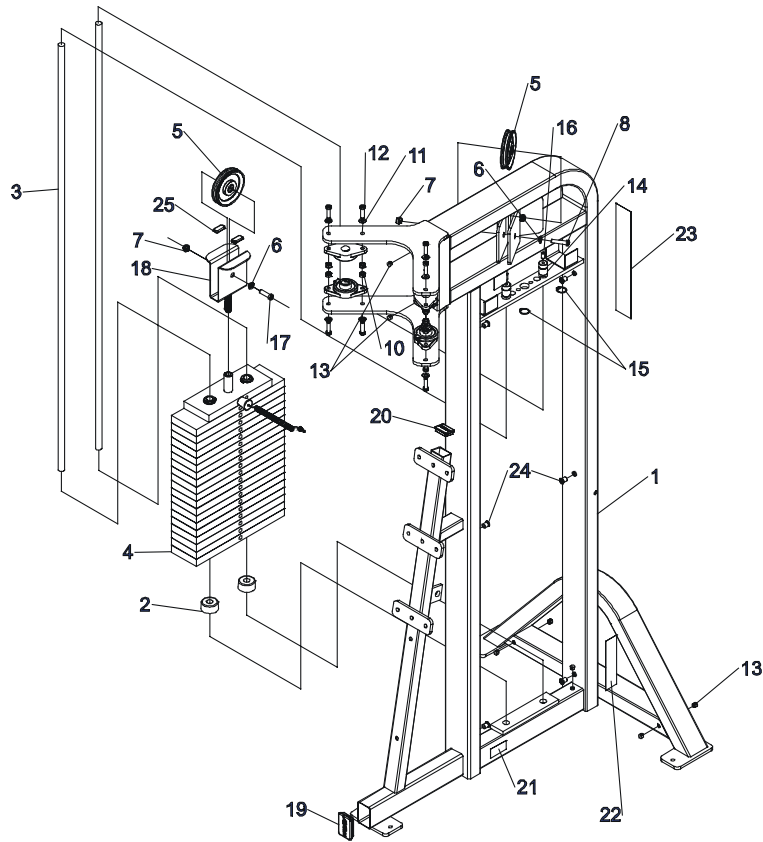
## COMPONENT ASSEMBLY



ITEM NO.	QTY.	PART NO.	DESCRIPTION
1	1	7425801	ASSY, PSFLY STACK FRAME
2	1	7427301	ASSY, PSFLY WORKARM RHT
3	1	7427801	ASSY, PSFLY WORKARM LFT
4	1	7398801	PAD, BACK 25 X 11-1/4
5	6	3236601	WASHER, 3/8 SAE SS
6	4	3236205	SCREW, M10 X1.5 40MM
7	2	3236212	SCREW, M10 X1.5 75MM
8	12	7544201	PAD, DUAL LOC 400, 1" X 1"
9	2	7415401	COVER, STACK PSFLY
10	1	7398901	PAD, SEAT 13-1/4 X 8-1/4
11	1	7446201	LABEL, PSFLY PLACARD
12	1	7490901	LABEL, PRO2 LOGO PSFLY
13	1	7423802	CABLE, PSFLY

# PSFLYSE REAR DELTOID ASSEMBLY

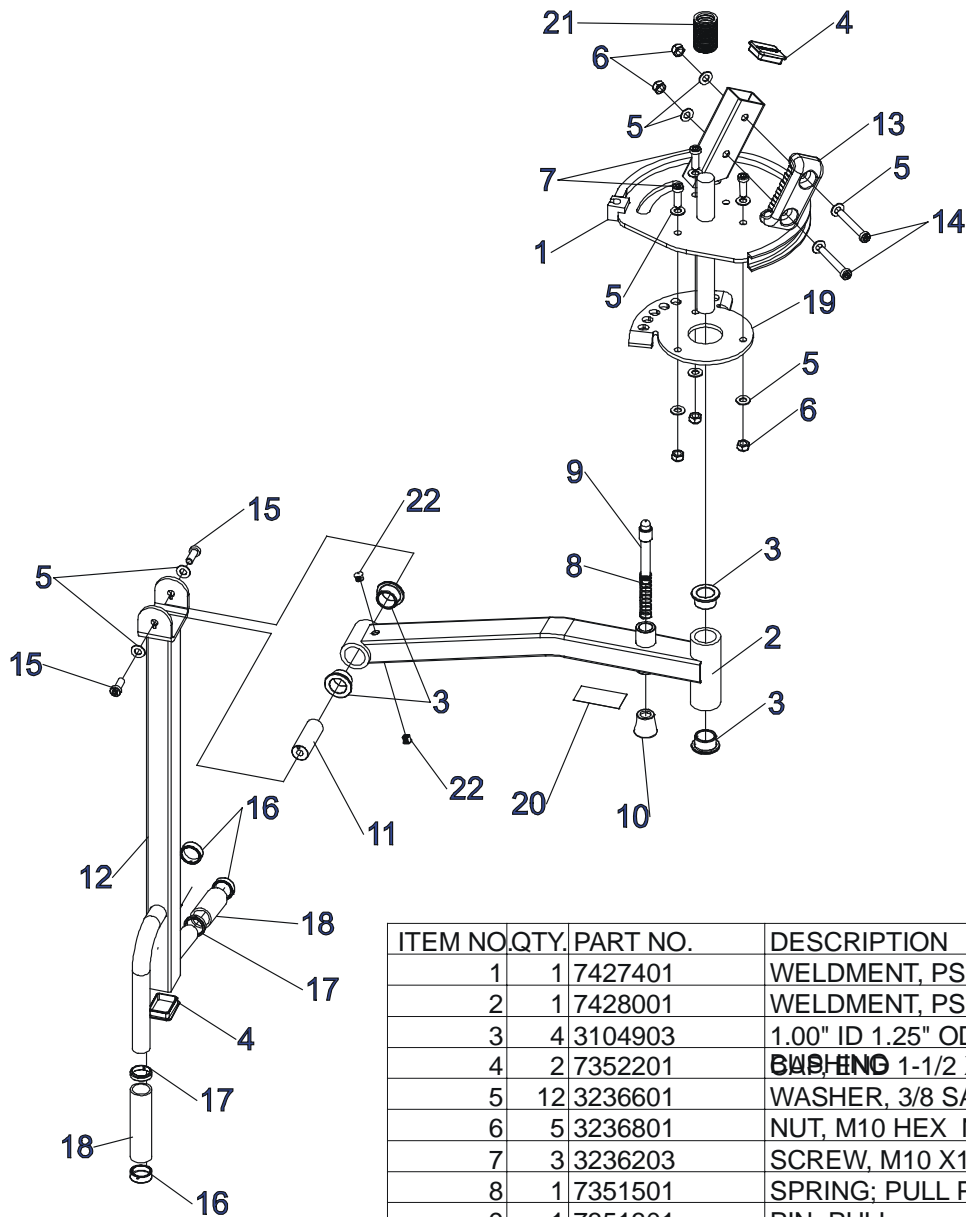
## STACKFRAME ASSEMBLY



ITEM NO.	QTY.	PART NO.	DESCRIPTION
1	1	7425901	WELDMT, PSFLY MAIN
2	2	7352101	CUSHION, WEIGHT STACK
3	2	7328606	GUIDE ROD, .75 OD SOLID 59.63
4	1	7353501	ASSY, 300LB STACK
5	3	3237801	PULLEY, 4.5" OD
6	3	7348101	WASHER, SPACER
7	3	7335401	NUT, M10 X 1.5 SOCKET HEAD
8	2	3236206	SCREW, M10 X1.5 45MM
9	4	3237701	ASSY, PILLOW BLOCK 4.88 X 2.75
10	8	3236801	NUT, M10 HEX NYLOCK SS
11	8	3236601	WASHER, 3/8 SAE SS
12	8	3236204	SCREW, M10 X1.5 35MM
13	8	3237401	PLUG, 7/16" HOLE
14	2	7402301	RETAINER, GUIDEROD
15	2	3232421	RING, BRE .940, 5100-100 ST PP B
16	2	3240501	M10 X 1.5 HXS NO CUP ST BO
17	1	3236205	SCREW, M10 X1.5 40MM
18	1	7425795	WELDMENT, FLOATING PULLEY
19	1	7352301	CAP, END 2 X 3
20	1	7352201	CAP, END 1-1/2 X 2
21	1	7422007	LABEL, SERIAL NO
22	1	7422004	LABEL, 2" ASTM WARN
23	1	7348001	LABEL, LIFE FITNESS LOGO
24	6	3238101	NUT, BLIND INSERT M10 X 1.5
25	2	7570801	Guard, Paint 1.25"x.75"x.25"

# PSFLYSE REAR DELTOID ASSEMBLY

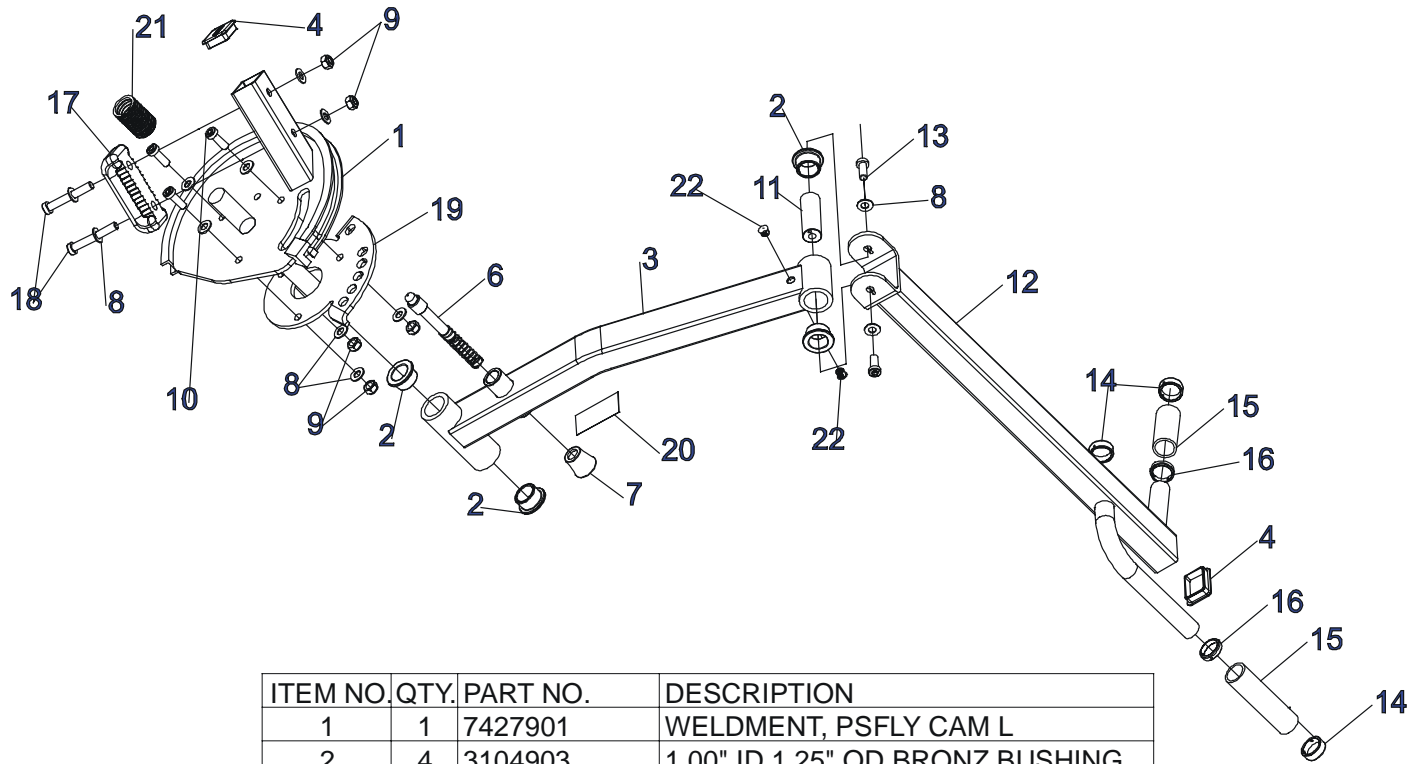
## WORKARM RIGHT ASSEMBLY



ITEM NO.	QTY.	PART NO.	DESCRIPTION
1	1	7427401	WELDMENT, PSFLY CAM R
2	1	7428001	WELDMENT, PS TOP WORKARM
3	4	3104903	1.00" ID 1.25" OD BRONZ
4	2	7352201	<del>WASHER</del> 1-1/2 X 2
5	12	3236601	WASHER, 3/8 SAE SS
6	5	3236801	NUT, M10 HEX NYLOCK SS
7	3	3236203	SCREW, M10 X1.5 30MM
8	1	7351501	SPRING; PULL PIN LARGE
9	1	7351301	PIN, PULL
10	1	7351401	KNOB, TULIP STYLE
11	1	7324903	SHAFT, TAPPED 1 DIA X "L"
12	1	7428501	WELDMENT, PSFLY SWINGARM
13	1	7352001	BUMPER, 2-1/8 X 4-5/8
14	2	3236211	SCREW, M10 X1.5 70MM
15	2	3236202	SCREW, M10 X1.5 25MM
16	3	7306901	CAP, GRIP 1.25 OD
17	2	7315601	RING, GRIP 1.25 OD
18	2	3235801	GRIP, 1.25 OD OPEN END
19	1	7428301	FLANGE, PSFLY RANGE RIGHT
20	1	7422003	LABEL, MOVING PARTS
21	1	6912804	SLEEVE, ACCRDN 1.0 ID
22	2	3237401	PLUG, 7/16" HOLE

# PSFLYSE REAR DELTOID ASSEMBLY

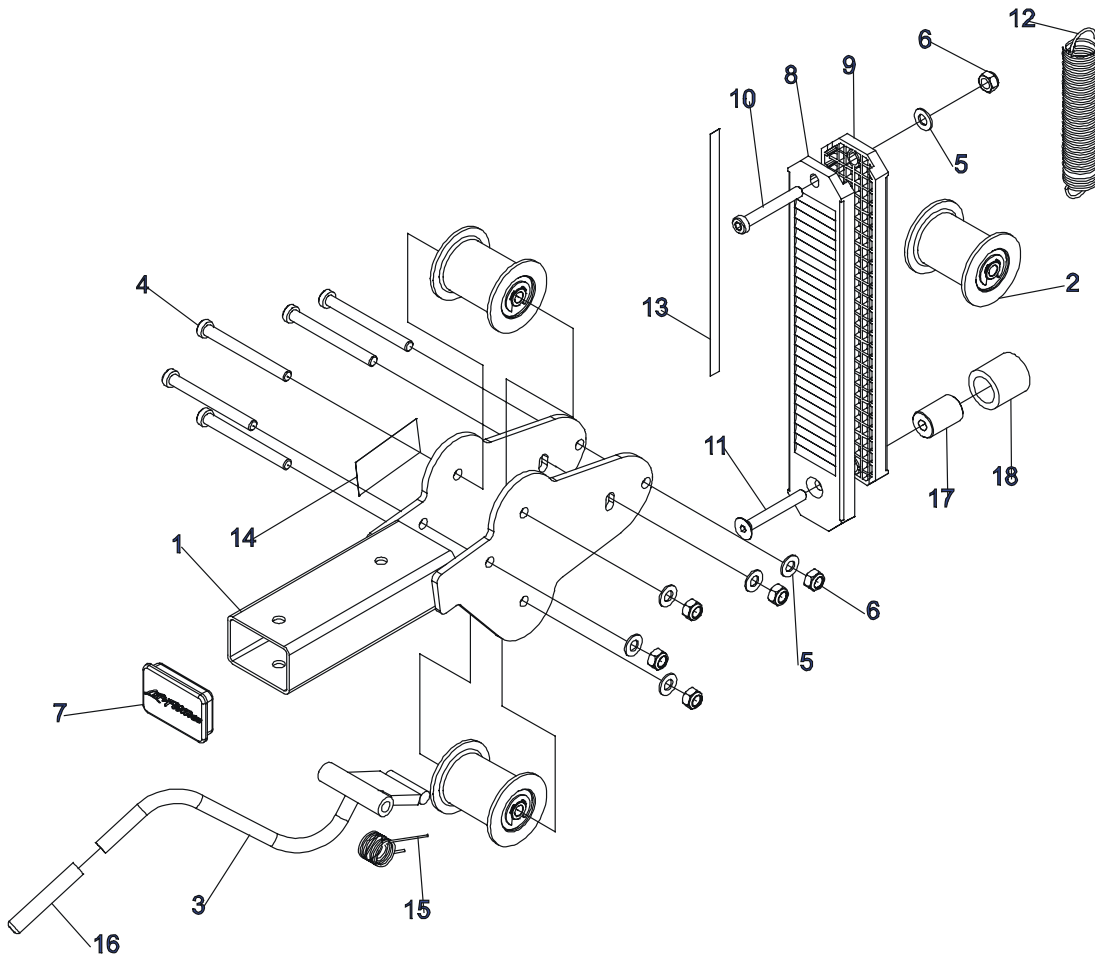
## WORKARM LEFT ASSEMBLY



ITEM NO.	QTY.	PART NO.	DESCRIPTION
1	1	7427901	WELDMENT, PSFLY CAM L
2	4	3104903	1.00" ID 1.25" OD BRONZ BUSHING
3	1	7428001	WELDMENT, PS TOP WORKARM
4	2	7352201	CAP, END 1-1/2 X 2
5	1	7351501	SPRING; PULL PIN LARGE
6	1	7351301	PIN, PULL
7	1	7351401	KNOB, TULIP STYLE
8	12	3236601	WASHER, 3/8 SAE SS
9	5	3236801	NUT, M10 HEX NYLOCK SS
10	3	3236203	SCREW, M10 X1.5 30MM
11	1	7324903	SHAFT, TAPPED 1 DIA X "L"
12	1	7428501	WELDMENT, PSFLY SWINGARM
13	2	3236202	SCREW, M10 X1.5 25MM
14	3	7306901	CAP, GRIP 1.25 OD
15	2	3235801	GRIP, 1.25 OD OPEN END
16	2	7315601	RING, GRIP 1.25 OD
17	1	7352001	BUMPER, 2-1/8 X 4-5/8
18	2	3236211	SCREW, M10 X1.5 70MM
19	1	7429101	FLANGE, PSFLY RANGE LEFT
20	1	7422003	LABEL, MOVING PARTS
21	1	6912804	SLEEVE, ACCRDN 1.0 ID
22	2	3237401	PLUG, 7/16" HOLE

# PSFLYSE REAR DELTOID ASSEMBLY

## 90 DEGREE ROLLER SEAT ASSY



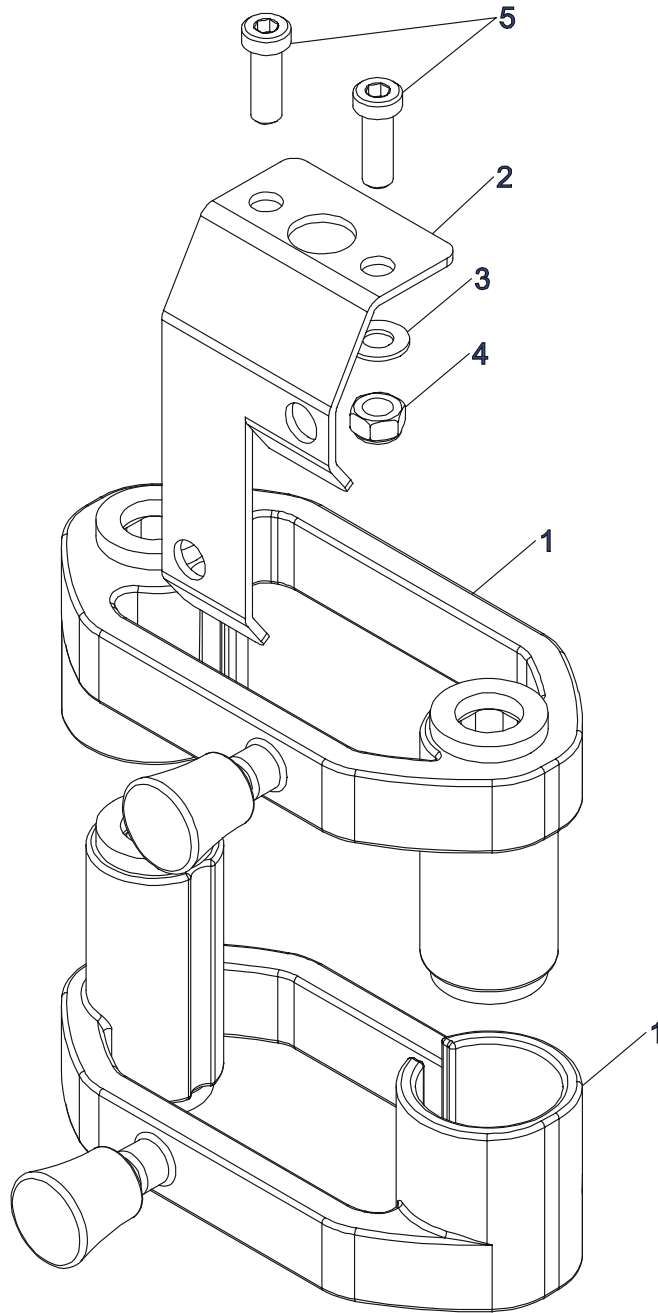
ITEM NO.	QTY.	PART NO.	DESCRIPTION
1	1	7396801	Wldmnt, 90 Deg Roller Seat
2	3	7564201	ASSY, SEAT ROLLER
3	1	7387595	Weldmnt, PS-Roller Seat Handle
4	5	3236217	SCREW, M10 X1.5 100MM
5	6	3236601	WASHER, 3/8 SAE SS
6	6	3236801	NUT, M10 HEX NYLOCK SS
7	1	7352301	CAP, END 2 X 3
8	1	7564301	SEATRACK, ROLLER SERRATED
9	1	7564401	SEATRACK, FLAT
10	1	3236211	SCREW, M10 X1.5 70MM
11	1	3238312	M10x1.5x75mm
12	1	7442601	SPRING, PRO2 ROLLER SEAT
13	1	7422002	LABEL, SEAT ADJUST
14	1	7422001	LABEL, SEAT INST
15	1	7442701	SPRNG, PRO2 HANDLE TORSION
16	1	3238502	CAP, 1/2 X 5/8
17	1	7570601	STOP, ROLLER SEAT
18	1	3235802	GRIP, SHADOW GRAY, 1.5"



# PSFLYSE REAR DELTOID ASSEMBLY

## INCREMENT WT W/STRIKER ASSY

---

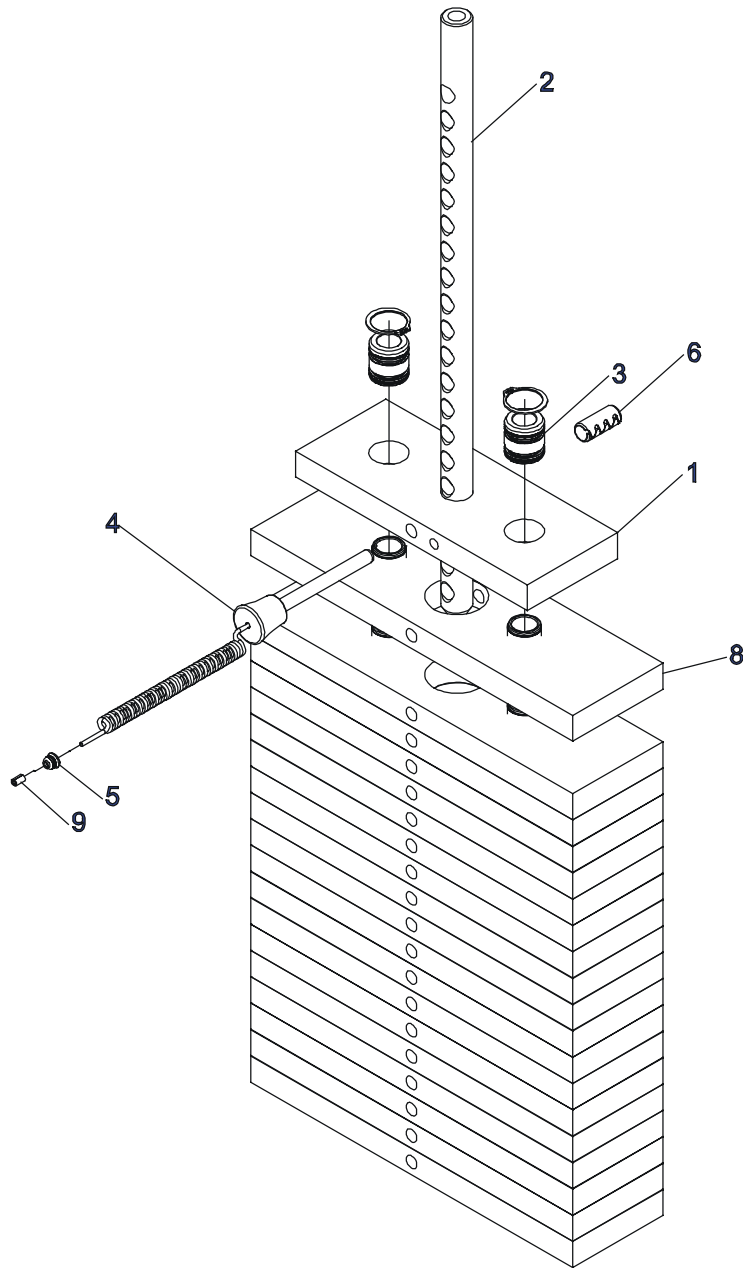


ITEM NO.	QTY.	PART NO.	DESCRIPTION
1	2	7446501	ASSY, 5LB INCREMENT WEIGHT
2	1	7447101	PLATE, INCR. WT STRIKER
3	2	3236601	WASHER, 3/8 SAE SS
4	2	3236801	NUT, M10 HEX NYLOCK SS
5	2	3236203	SCREW, M10 X1.5 30MM

# PSFLYSE REAR DELTOID ASSEMBLY

## WEIGHT STACK 300LB

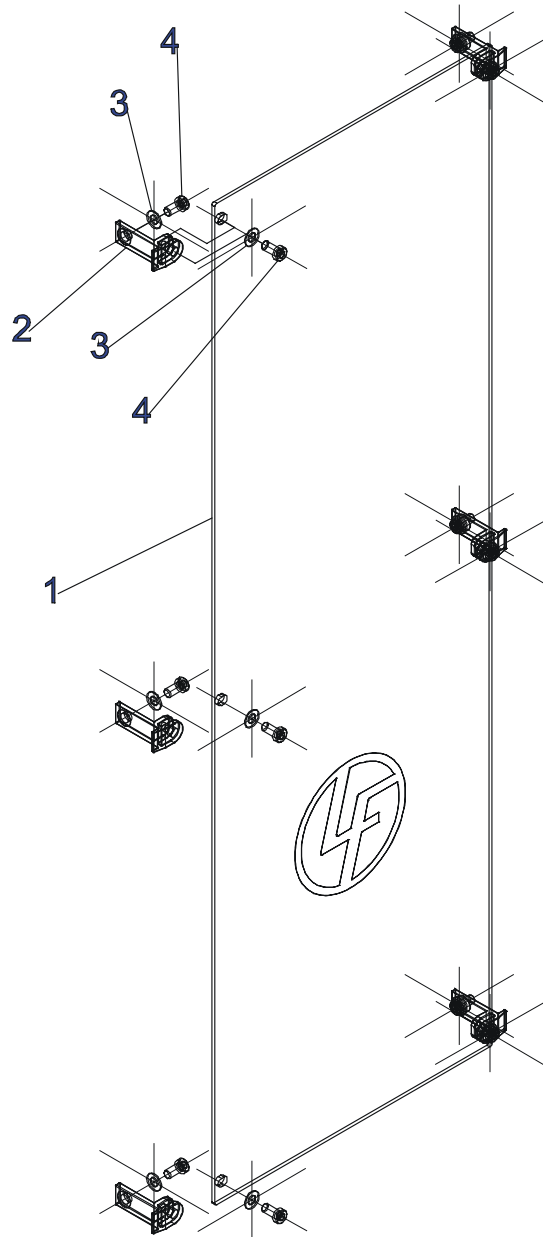
---



ITEM NO	QTY	PART NO.	DESCRIPTION
1	1	7353901	HEADPLATE, WT. STACK
2	1	7356600	STEM, PRO2 19 HOLE
3	2	7338001	BUSHING, HEADPLATE
4	1	7353001	ASSY, SELECTOR PIN
5	1	7356501	PLUG, LANYARD ATTACHMENT
6	1	3236001	BUSHING, SPRING PIN
8	19	7353801	ASSY, 15 LB PLATE
9	1	7523601	CRIMP, CABLE

# PSFLYSE REAR DELTOID ASSEMBLY SHROUD KIT

---



ITEM NO.	QTY.	PART NO.	DESCRIPTION
1	1	7376806	SHIELD, PS REAR
2	6	7655301	BRACKET, PS REAR
3	12	3236601	WASHER , 3/8 SAE SS
4	12	3236201	SCREW, M10 X1.5 20MM