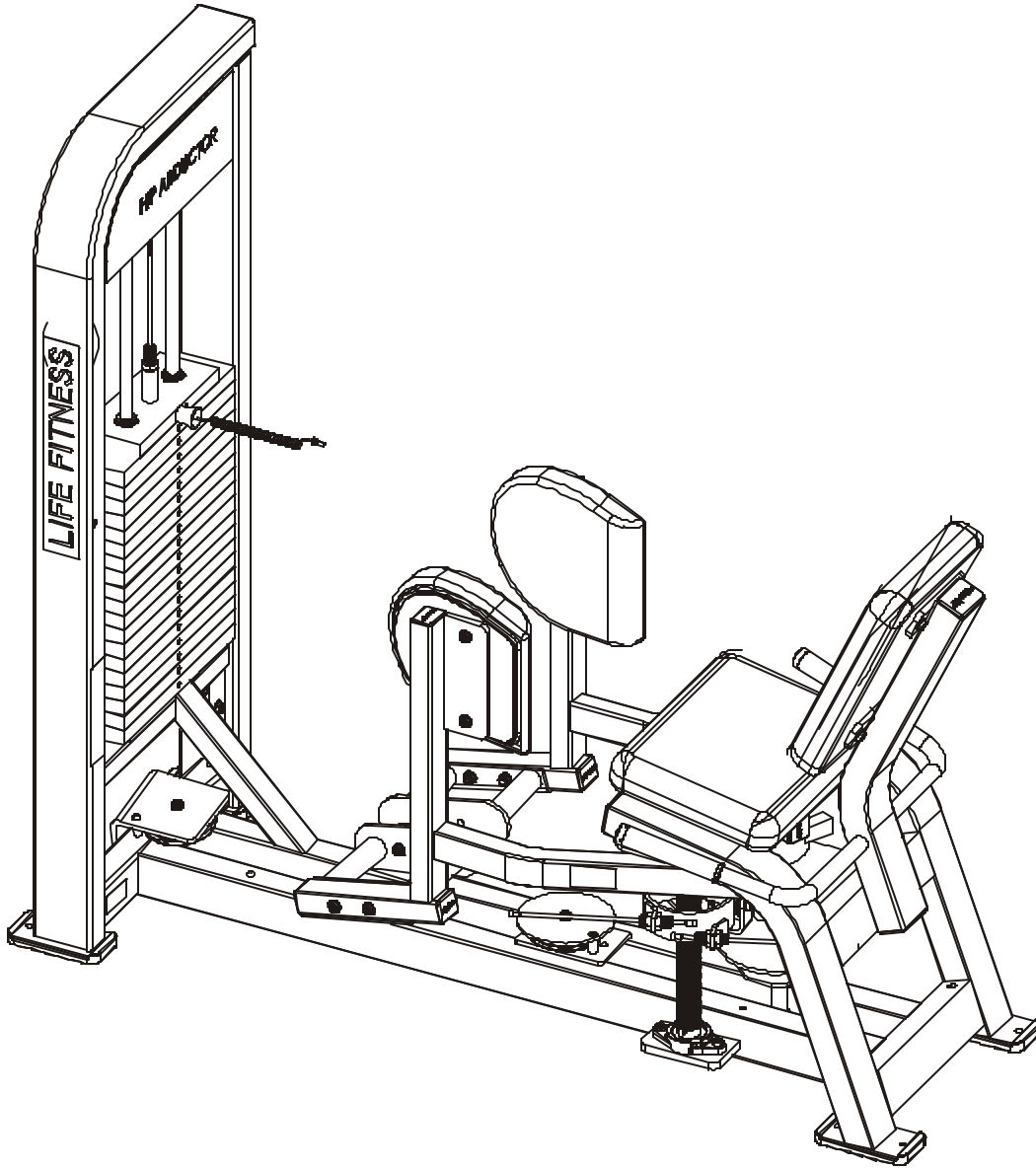


LifeFitness

PRO SERIES II PSHABSE HIP ABDUCTOR



Customer Support Services **PARTS MANUAL**

PSHABSE HIP ABDUCTOR

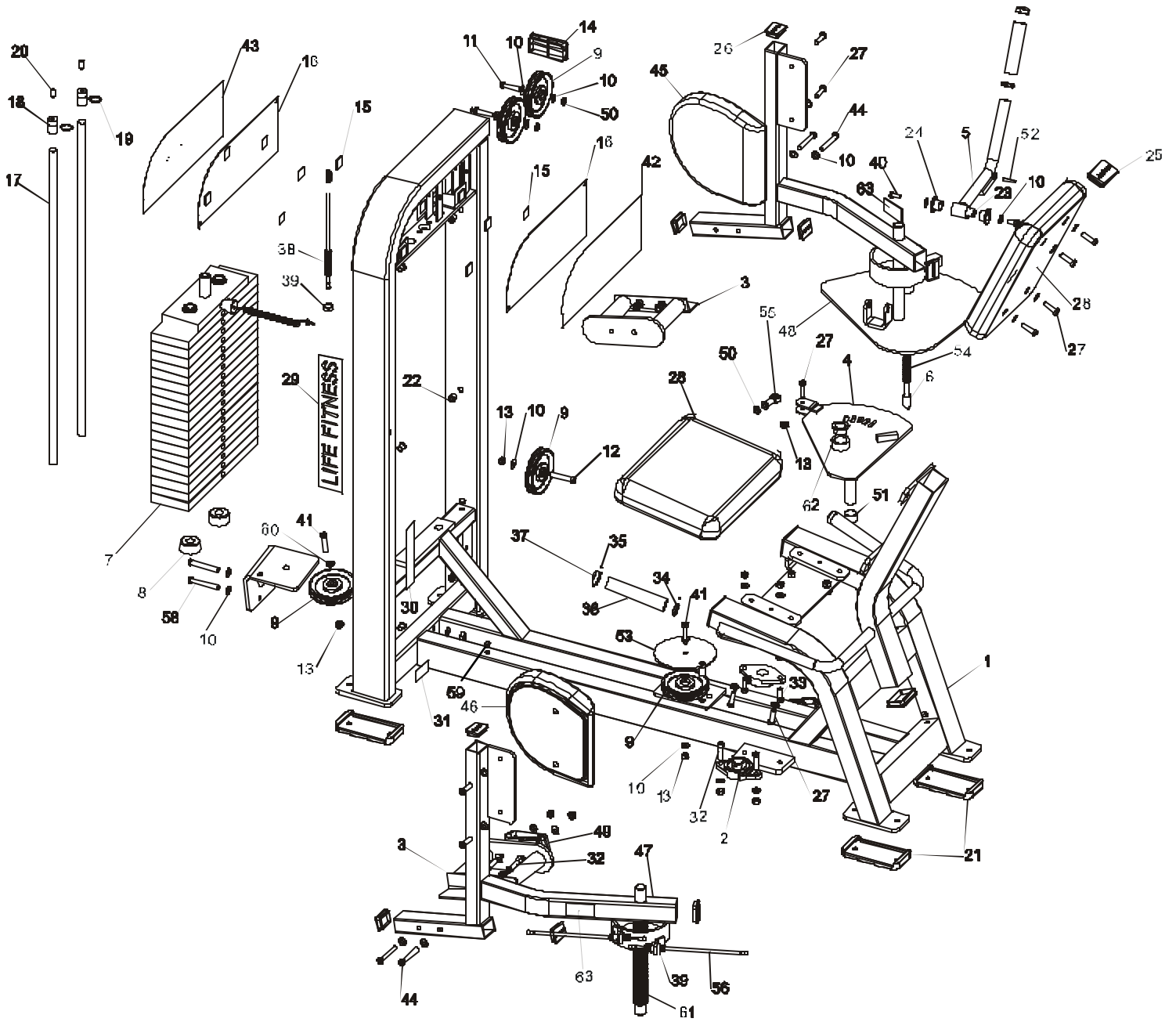
Notes:

PSHABSE HIP ABDUCTOR

Contents

	PAGE
COMPONENT ASSEMBLY	4
COMPONENT ASSEMBLY CALLOUTS	5
WEIGHT STACK ASSEMBLY.....	6
ADD-ON INCREMENT WEIGHT.....	7
INCREMENT WEIGHT W/STRIKER	8
FULL SHROUD KIT	9

PSHABSE HIP ABDUCTOR COMPONENT ASSEMBLY

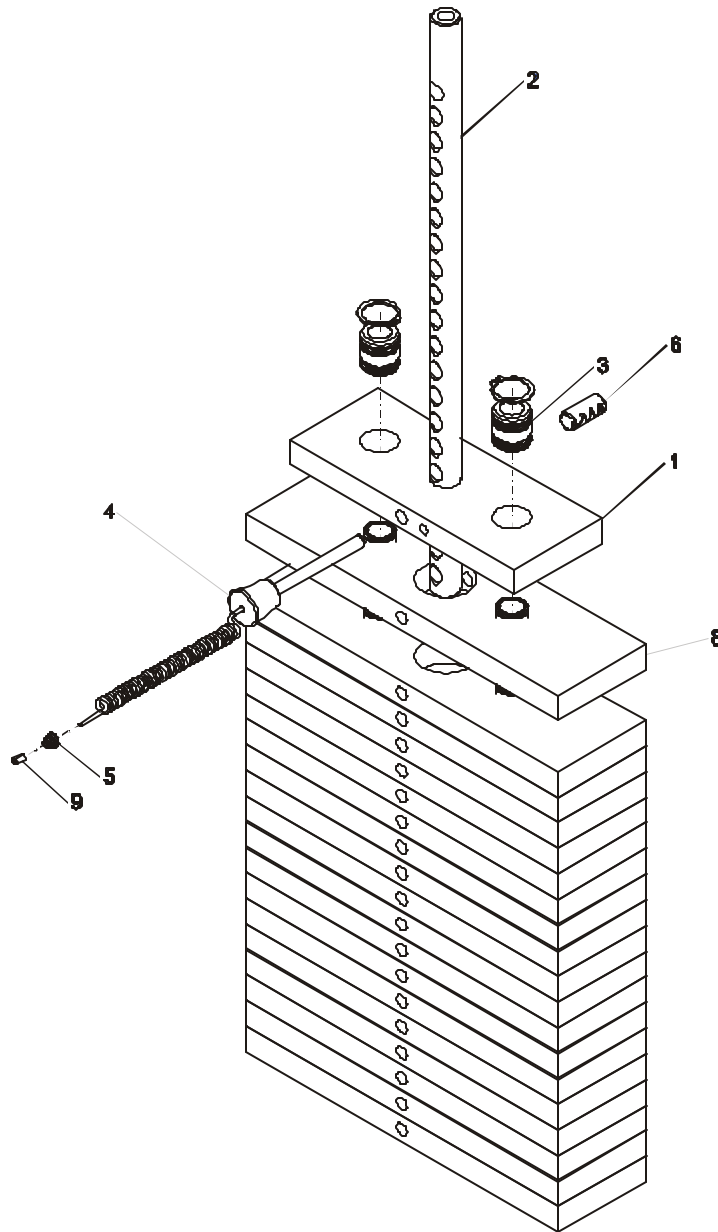


PSHABSE HIP ABDUCTOR

COMPONENT ASSEMBLY CALLOUTS

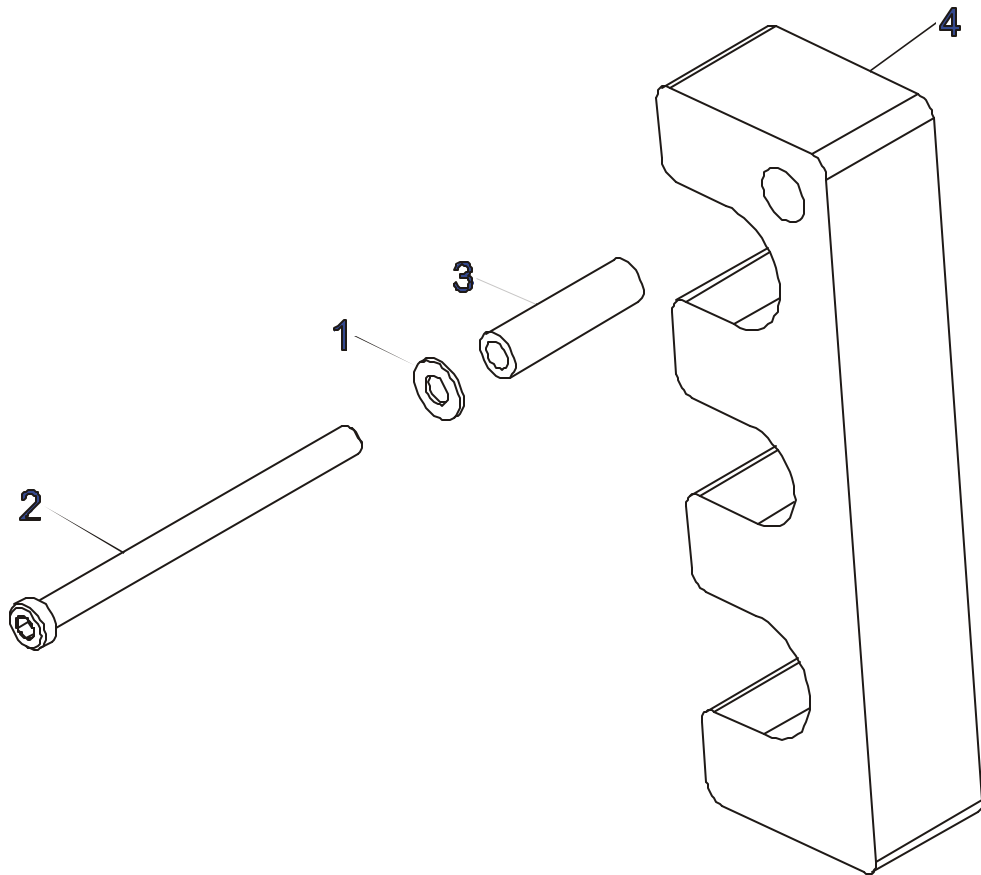
ITEM NO.	QTY.	PART NO.	DESCRIPTION	ITEM NO.	QTY.	PART NO.	DESCRIPTION
1	1	7546901	WLDMT. PSHAB/HAD MAIN FRAME	33	4	3236203	SCREW, M10 X1.5 30MM
2	4	3237701	ASSY. PILLOW BLOCK 4.88 X 2.75	34	3	7315601	RING, GRIP 1.25 OD
3	2	7551101	WLDMT. FOOT SUPPORT	35	12	3237201	M3 X .5 HXS NO CUP ST BO
4	1	7561401	WLDMT. CAM PSHAB	36	3	3235801	MTDP GRIP, SHADOW GRAY
5	1	7551501	WLDMT. ADJUST HANDLE PSHAD/HAB	37	3	7306901	CAP, GRIP 1.25 OD
6	1	7549901	PIN, SPRING PSHAD/HAB	38	1	7423611	CABLE, PSHAB
7	1	7353501	ASSY. 300LB STACK	39	5	3236902	NUT, M16 X 2 HEX JAM SS
8	2	7352101	CUSHION. WEIGHT STACK	40	2	3236201	SCREW, M10 X1.5 20MM
9	5	3237801	PULLEY, 4.5" OD	41	2	3236207	SCREW, M10 X1.5 50MM
10	46	3236601	WASHER. 3/8 SAE SS	42	1	7562101	LABEL, PSHAB PLACARD
11	2	3236206	SCREW. M10 X1.5 45MM	43	1	7562201	LABEL, PSHAB LOGO PANEL
12	1	3236209	SCREW. M10 X1.5 60MM	44	4	3236211	SCREW, M10 X1.5 70MM
13	20	3236801	NUT, M10 HEX NYLOCK SS	45	1	7549501	PAD, HIP ADDUCTOR LH
14	1	7352401	CAP. END 2 X 4	46	1	7549601	PAD, HIP ADDUCTOR RH
15	12	7544201	PAD. DUAL LOCK 250. 1" X 1"	47	1	7561201	WLDMT, PIVOT ARM LEFT PSHAB
16	2	7606602	COVER, STACK-PRO2 STD	48	1	7561301	WLDMT, PIVOT ARM RIGHT PSHAB
17	2	7328614	GUIDE ROD. .75 OD SOLID 35.38	49	1	7352001	BUMPER, 2-1/8 X 4-5/8
18	2	7402301	RETAINER. GUIDEROD	50	3	3236901	NUT, M10 X 1.5 JAM
19	2	3232421	RING. BRE .940. 5100-100 ST PP B	51	1	7481201	BEARING, M25 X M30 X M20
20	2	3240501	M10 X 1.5 HXS NO CUP ST BO	52	1	3110011	ROLL PIN, 3/16 X 1-1/4
21	4	7388201	Footpad. PS Rubber	53	1	7511901	WLDMT, PSHAB PULLEY PLATE
22	6	3238101	NUT. BLIND INSERT M10 X 1.5	54	1	7351501	SPRING; PULL PIN LARGE
23	1	7324802	SHAFT, TAPPED 0.75 DIA X 1.800	55	1	3237901	ROD END, METRIC FEMALE
24	2	3104901	.75" ID 1.00" OD BRONZE BUSHING	56	2	7573701	CABLE, PSHAD/HAB
25	4	7352301	CAP. END 2 X 3	57	1	7573801	WLDMT, PSHAD/HAB PULLEY BRKT
26	8	7352201	CAP. END 1-1/2 X 2	58	2	3236212	SCREW. M10 X1.5 75MM
27	13	3236204	SCREW. M10 X1.5 35MM	59	8	3237401	PLUG, 7/16" HOLE
28	2	7422101	PAD. BACK 15 X 11-1/4	60	1	7348101	WASHER. SPACER
29	1	7348001	LABEL. LIFE FITNESS LOGO	61	2	6912805	SLEEVE, ACCRDN 1.0 ID X 5.5
30	1	7422004	LABEL. 2" ASTM WARN	62	2	3104903	1.00" ID 1.25" OD BRONZ BUSHING
31	1	7422007	LABEL. SERIAL NO	63	2	7422003	LABEL, MOVING PARTS
32	6	3236205	SCREW. M10 X1.5 40MM				

PSHABSE HIP ABDUCTOR WEIGHT STACK ASSEMBLY



ITEM NO	QTY	PART NO.	DESCRIPTION
1	1	7353901	HEADPLATE, WT. STACK
2	1	7356600	STEM, PRO2 19 HOLE
3	2	7338001	BUSHING, HEADPLATE
4	1	7353001	ASSY, SELECTOR PIN
5	1	7356501	PLUG, LANYARD ATTACHMENT
6	1	3236001	BUSHING, SPRING PIN
8	19	7353801	ASSY, 15 LB PLATE
9	1	7523601	CRIMP, CABLE

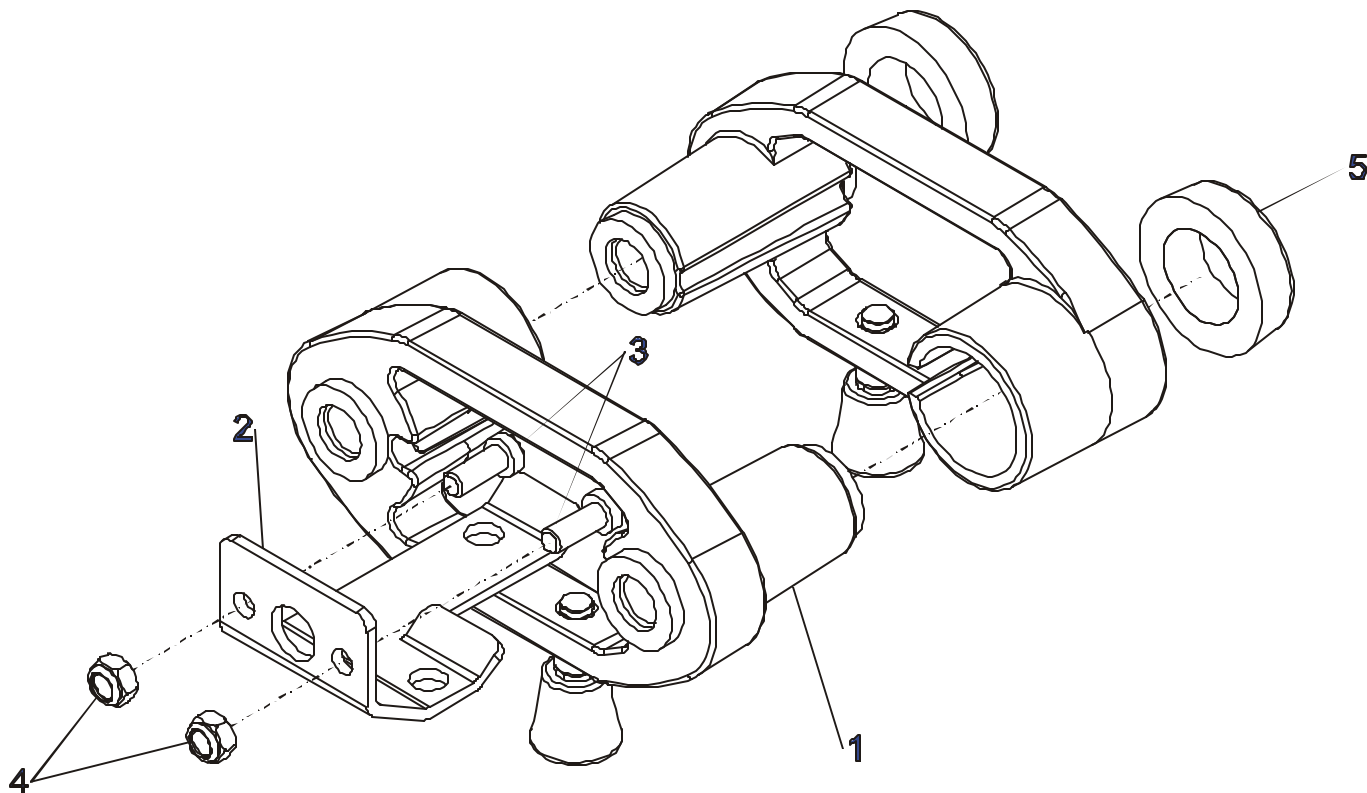
PSHABSE HIP ABDUCTOR
ADD ON INCREMENT WEIGHT



ITEM NO.	QTY.	PART NO.	DESCRIPTION
1	1	3236601	WASHER, 3/8 SAE SS
2	1	3236221	SCREW, M10 X1.5 140MM
3	1	7401701	COVER, PLASTIC PEG 2-1/4
4	1	7366101	WEIGHT, 7.5 LB. ADD-ON

PSHABSE HIP ABDUCTOR

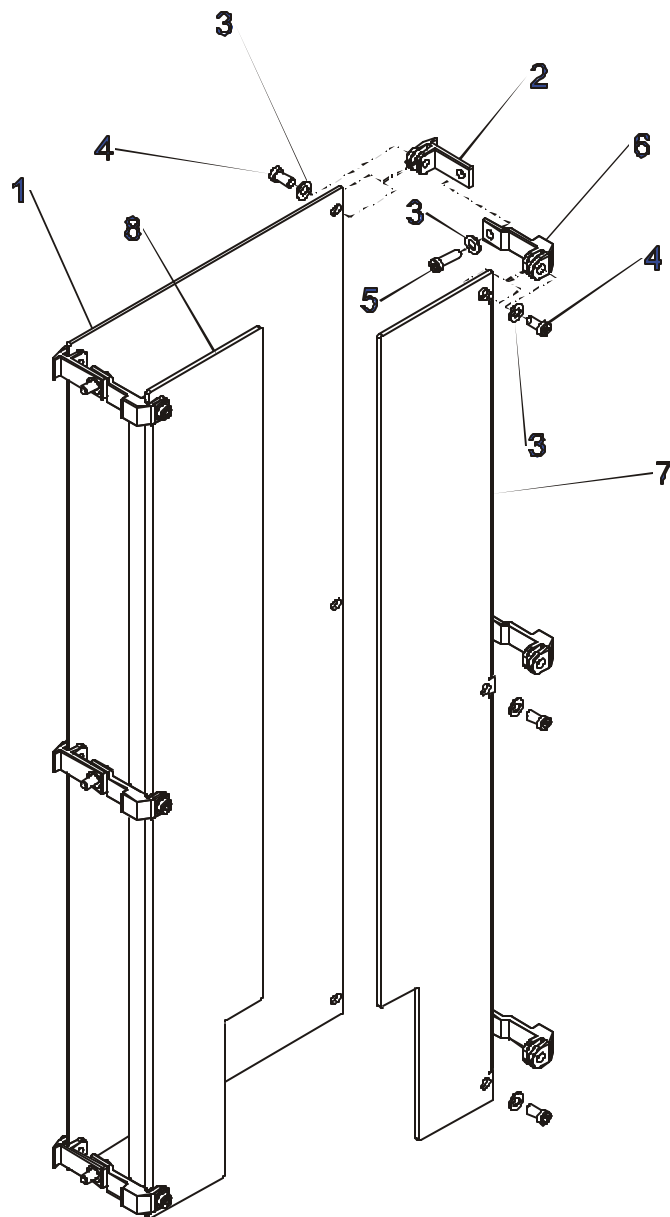
INCREMENT WEIGHT W/STRIKER



ITEM NO.	QTY.	PART NO.	DESCRIPTION
1	2	7446501	ASSY, 5LB INCREMENT WEIGHT
2	1	7447101	PLATE, INCR. WT STRIKER
3	2	3236202	SCREW, M10 X1.5 25MM
4	2	3236801	NUT, M10 HEX NYLOCK SS
5	2	7597101	BUMPER, PS INCREMENT WT

PSHABSE HIP ABDUCTOR

FULL SHROUD KIT



ITEM NO.	QTY.	PART NO.	DESCRIPTION
1	1	7376801	SHIELD, PS REAR
2	6	7655301	BRACKET, PS REAR SHIELD
3	18	3236601	WASHER, 3/8 SAE SS
4	12	3236201	SCREW, M10 X1.5 20MM
5	6	3236203	SCREW, M10 X1.5 30MM
6	6	7376601	BRACKET, PS FRONT SHIELD
7	1	7544101	SHIELD, PSHAB/HAD FRONT RHI
8	1	7582301	SHIELD, PSHAB/HAD FRONT LFT