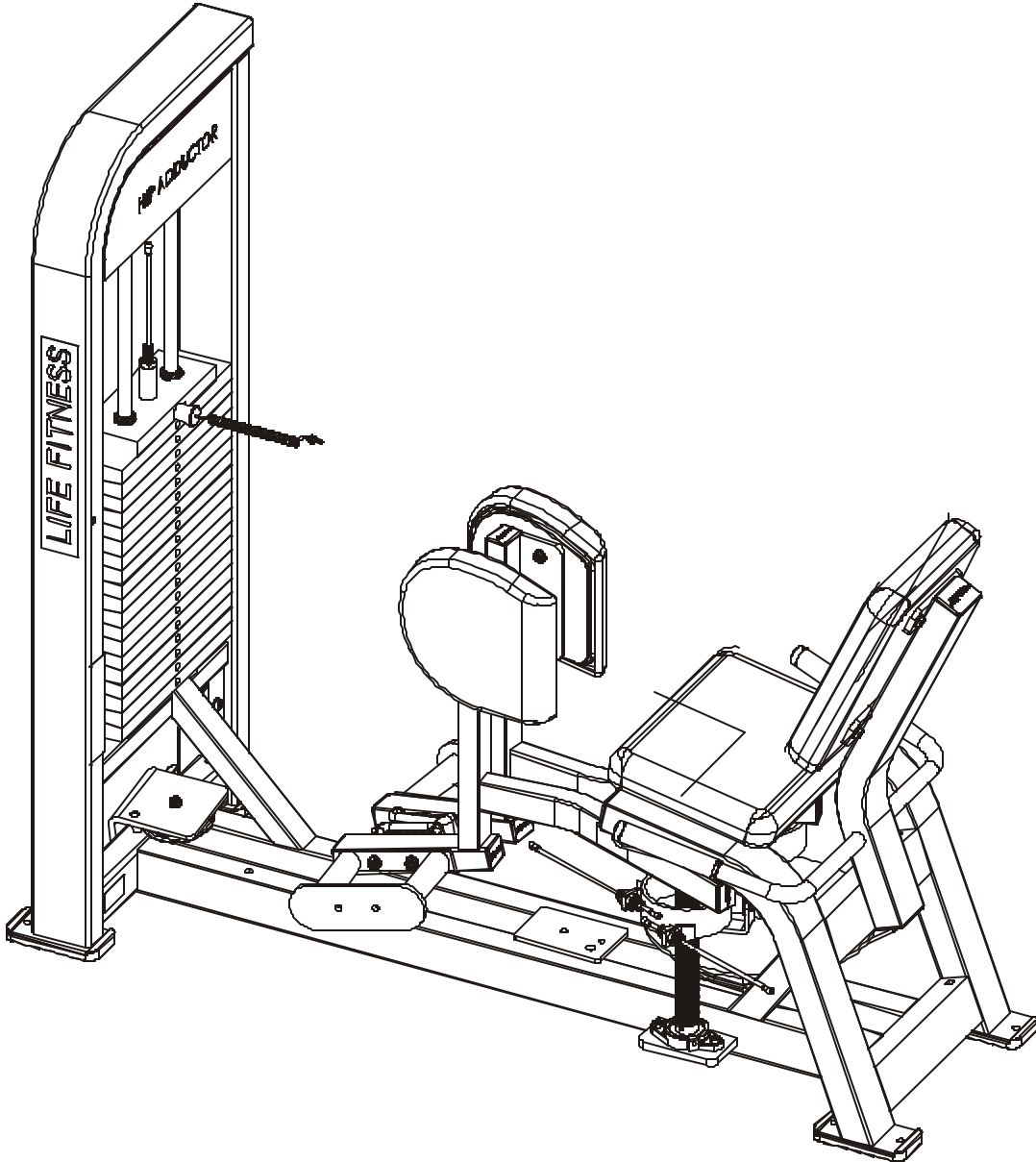


# LifeFitness

## PRO SERIES II PSHADSE HIP ADDUCTOR



## Customer Support Services **PARTS MANUAL**

# PSHADSE HIP ADDUCTOR

Notes:

---

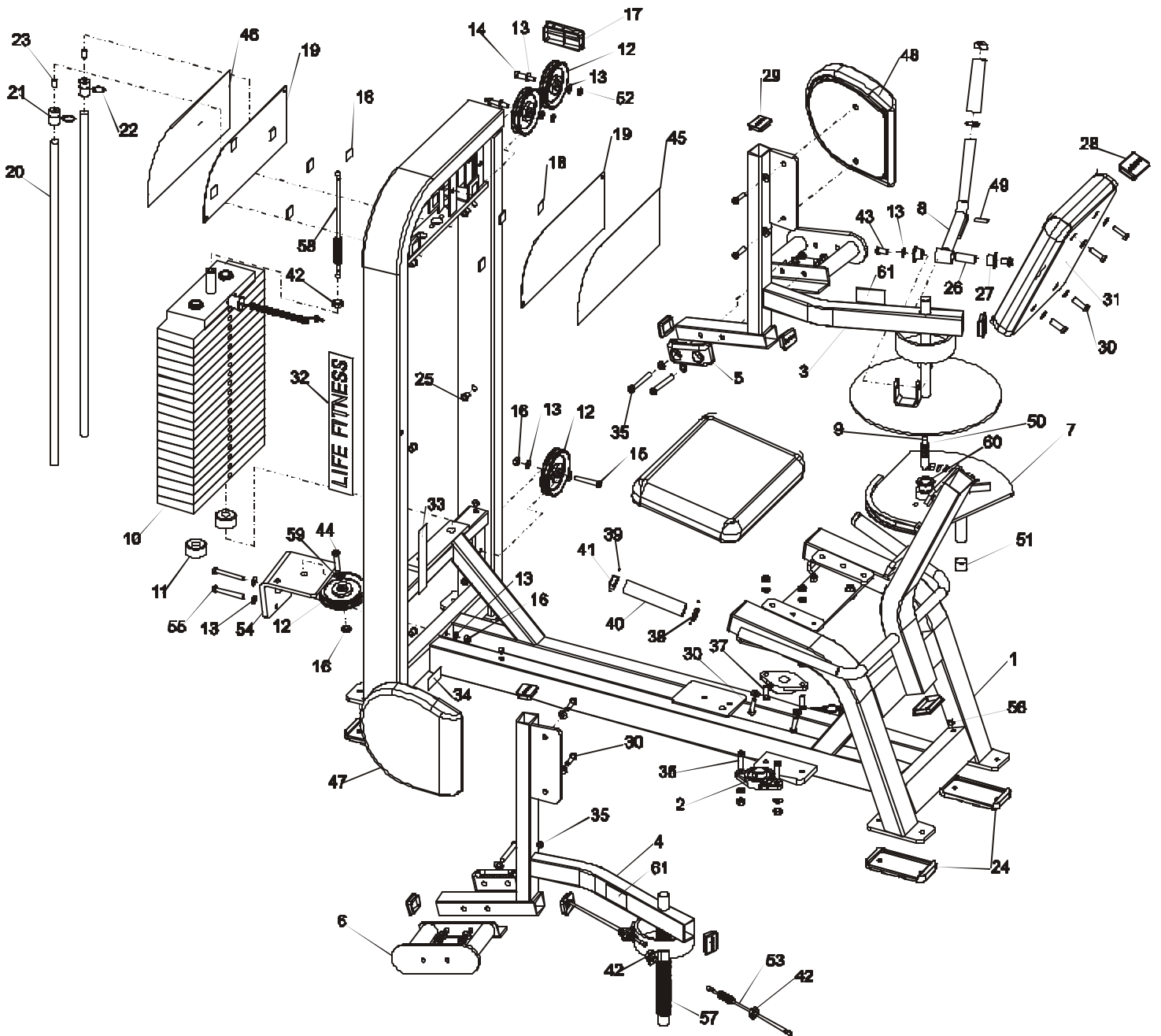
# PSHADSE HIP ADDUCTOR

## Contents

---

	<b>PAGE</b>
<b>COMPONENT ASSEMBLY .....</b>	<b>4</b>
<b>COMPONENT ASSEMBLY CALLOUTS .....</b>	<b>5</b>
<b>WEIGHT STACK ASSEMBLY.....</b>	<b>6</b>
<b>ADD-ON INCREMENT WEIGHT.....</b>	<b>7</b>
<b>INCREMENT WEIGHT W/STRIKER .....</b>	<b>8</b>
<b>FULL SHROUD KIT .....</b>	<b>9</b>

# PSHADSE HIP ADDUCTOR COMPONENT ASSEMBLY



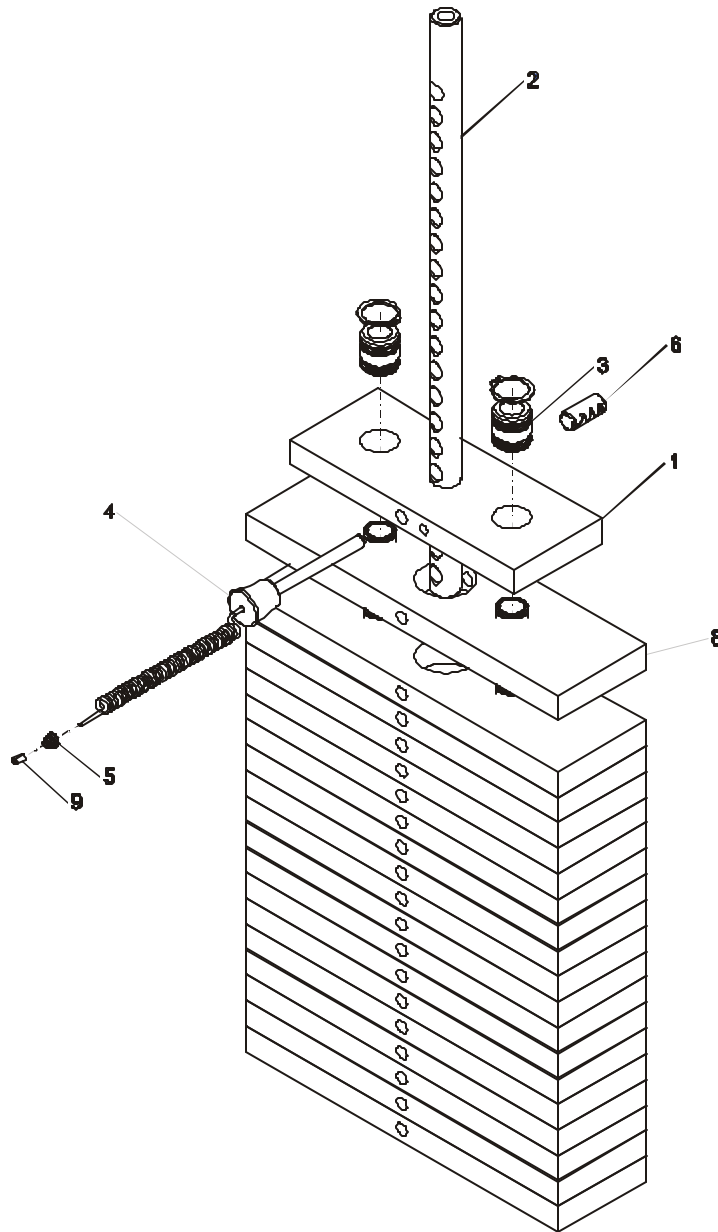
# PSHADSE HIP ADDUCTOR

## COMPONENT ASSEMBLY CALLOUTS

ITEM NO.	QTY.	PART NO.	DESCRIPTION	ITEM NO.	QTY.	PART NO.	DESCRIPTION
1	1	7546901	WLDMT, PSHAD/HAD MAIN FRAME	32	1	7348001	LABEL, LIFE FITNESS LOGO
2	4	3237701	ASSY, PILLOW BLOCK 4.88 X 2.75	33	1	7422004	LABEL, 2" ASTM WARN
3	1	7551201	WLDMT, PIVOT ARM RIGHT PSHAD	34	1	7422007	LABEL, SERIAL NO
4	1	7551401	WLDMT, PIVOT ARM LEFT PSHAD	35	4	3236213	SCREW, M10 X1.5 80MM
5	2	7352001	BUMPER, 2-1/8 X 4-5/8	36	4	3236205	SCREW, M10 X1.5 40MM
6	2	7551101	WLDMT, FOOT SUPPORT	37	4	3236203	SCREW, M10 X1.5 30MM
7	1	7551301	WLDMT, CAM PSHAD	38	3	7315601	RING, GRIP 1.25 OD
8	1	7551501	WLDMT, ADJUST HANDLE PSHAD/HAB	39	12	3237201	M3 X .5 HXS NO CUP ST BO
9	1	7549901	PIN, SPRING PSHAD/HAB	40	3	3235801	MTDP GRIP, SHADOW GRAY
10	1	7353501	ASSY, 300LB STACK	41	3	7306901	CAP, GRIP 1.25 OD
11	2	7352101	CUSHION, WEIGHT STACK	42	5	3236902	NUT, M16 X 2 HEX JAM SS
12	4	3237801	PULLEY, 4.5" OD	43	2	3236201	SCREW, M10 X1.5 20MM
13	40	3236601	WASHER, 3/8 SAE SS	44	1	3236207	SCREW, M10 X1.5 50MM
14	2	3236206	SCREW, M10 X1.5 45MM	45	1	7549201	LABEL, PSHAD PLACARD
15	1	3236209	SCREW, M10 X1.5 60MM	46	1	7549401	LABEL, PSHAD LOGO PANEL
16	16	3236801	NUT, M10 HEX NYLOCK SS	47	1	7549501	PAD, HIP ADDUCTOR LH
17	1	7352401	CAP, END 2 X 4	48	1	7549601	PAD, HIP ADDUCTOR RH
18	12	7544201	PAD, DUAL LOCK 250, 1" X 1"	49	1	3110011	ROLL PIN, 3/16 X 1-1/4
19	2	7606602	COVER, STACK-PRO2 STD	50	1	7351501	SPRING, PULL PIN LARGE
20	2	7328614	GUIDE ROD, .75 OD SOLID 35.38	51	1	7481201	BEARING, M25 X M30 X M20
21	2	7402301	RETAINER, GUIDEROD	52	2	3236901	NUT, M10 X 1.5 JAM
22	2	3232421	RING, BRE .940, 5100-100 ST PP B	53	2	7573701	CABLE, PSHAD/HAB
23	2	3240501	M10 X 1.5 HXS NO CUP ST BO	54	1	7573801	WLDMT, PSHAD/HAB PULLEY BRKT
24	4	7388201	Footpad, PS Rubber	55	2	3236212	SCREW, M10 X1.5 75MM
25	6	3238101	NUT, BLIND INSERT M10 X 1.5	56	8	3237401	PLUG, 7/16" HOLE
26	1	7324802	SHAFT, TAPPED 0.75 DIA X 1.800	57	2	6912805	SLEEVE, ACCRDN 1.0 ID X 5.5
27	2	3104901	.75" ID 1.00" OD BRONZE BUSHING	58	1	7423712	CABLE, PSHAD/HAB
28	4	7352301	CAP, END 2 X 3	59	1	7348101	WASHER, SPACER
29	8	7352201	CAP, END 1-1/2 X 2	60	2	3104903	1.00" ID 1.25" OD BRONZ BUSHING
30	12	3236204	SCREW, M10 X1.5 35MM	61	2	7422003	LABEL, MOVING PARTS
31	2	7422101	PAD, BACK 15 X 11-1/4				

# PSHADSE HIP ADDUCTOR WEIGHT STACK ASSEMBLY

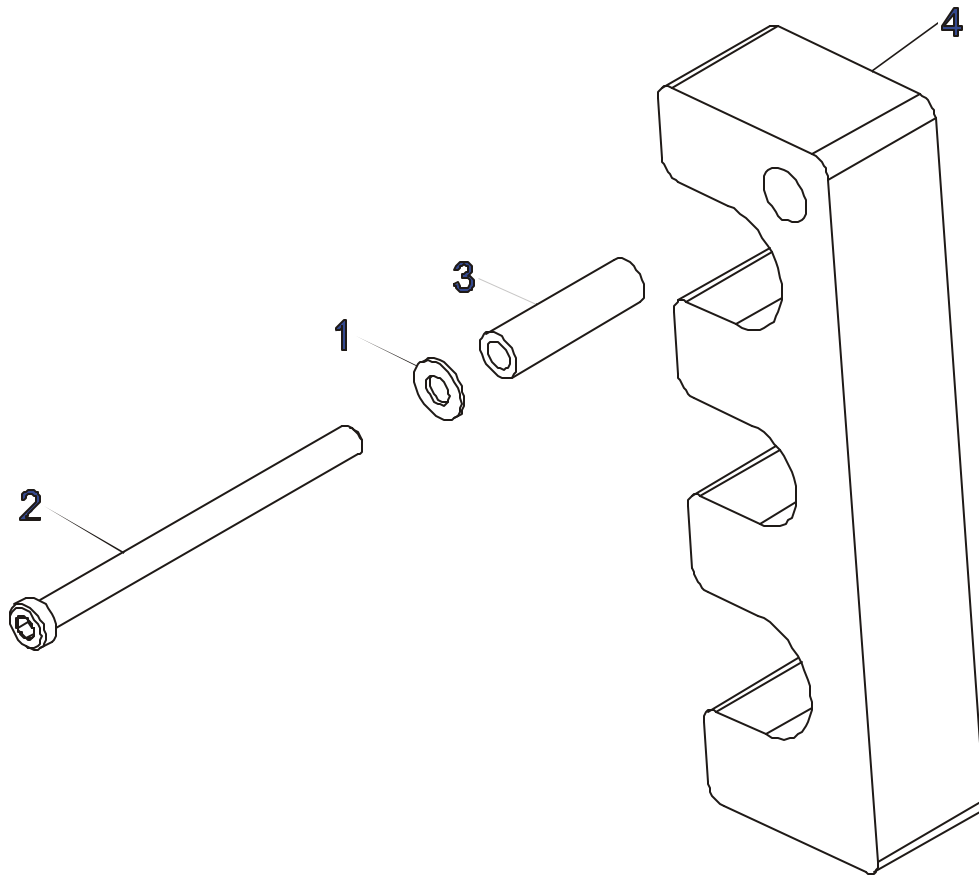
---



ITEM NO	QTY	PART NO.	DESCRIPTION
1	1	7353901	HEADPLATE, WT. STACK
2	1	7356600	STEM, PRO2 19 HOLE
3	2	7338001	BUSHING, HEADPLATE
4	1	7353001	ASSY, SELECTOR PIN
5	1	7356501	PLUG, LANYARD ATTACHMENT
6	1	3236001	BUSHING, SPRING PIN
8	19	7353801	ASSY, 15 LB PLATE
9	1	7523601	CRIMP, CABLE

**PSHADSE HIP ADDUCTOR**  
***ADD ON INCREMENT WEIGHT***

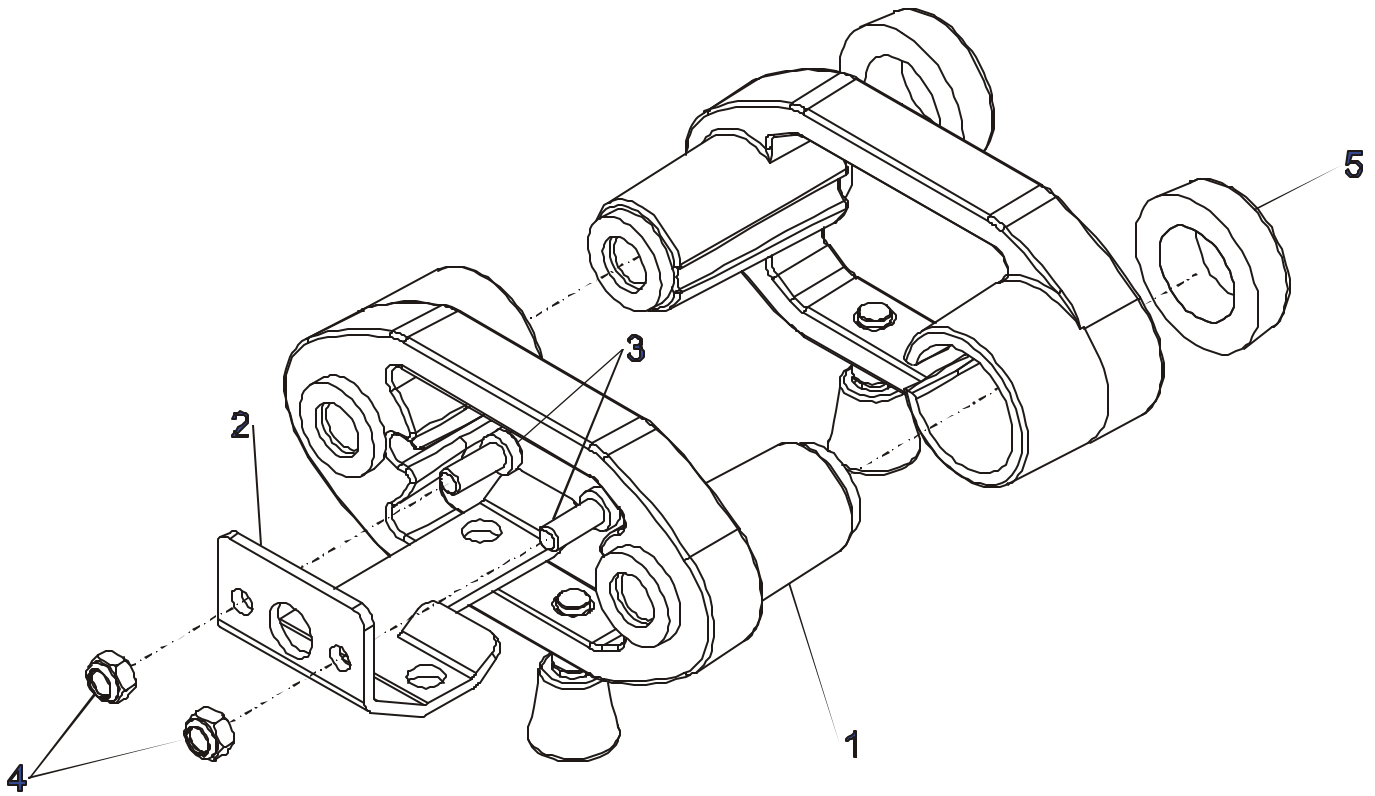
---



ITEM NO.	QTY.	PART NO.	DESCRIPTION
1	1	3236601	WASHER, 3/8 SAE SS
2	1	3236221	SCREW, M10 X1.5 140MM
3	1	7401701	COVER, PLASTIC PEG 2-1/4
4	1	7366101	WEIGHT, 7.5 LB. ADD-ON

**PSHADSE HIP ADDUCTOR**  
**INCREMENT WEIGHT W/STRIKER**

---



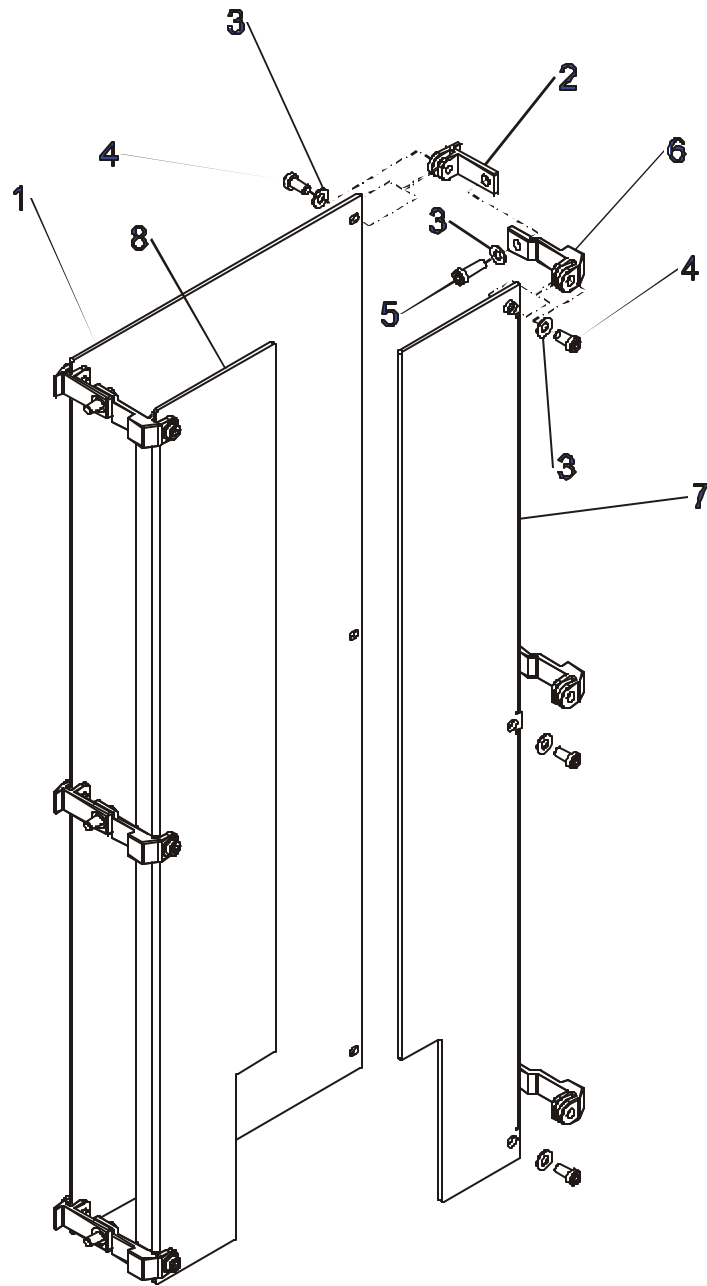
ITEM NO.	QTY.	PART NO.	DESCRIPTION
1	2	7446501	ASSY, 5LB INCREMENT WEIGHT
2	1	7447101	PLATE, INCR. WT STRIKER
3	2	3236202	SCREW, M10 X1.5 25MM
4	2	3236801	NUT, M10 HEX NYLOCK SS
5	2	7597101	BUMPER, PS INCREMENT WT



# PSHADSE HIP ADDUCTOR

## FULL SHROUD KIT

---



ITEM NO.	QTY.	PART NO.	DESCRIPTION
1	1	7376801	SHIELD, PS REAR
2	6	7655301	BRACKET, PS REAR SHIELD
3	18	3236601	WASHER, 3/8 SAE SS
4	12	3236201	SCREW, M10 X1.5 20MM
5	6	3236203	SCREW, M10 X1.5 30MM
6	6	7376601	BRACKET, PS FRONT SHIELD
7	1	7544101	SHIELD, PSHAB/HAD FRONT RHT
8	1	7582301	SHIELD, PSHAB/HAD FRONT LFT