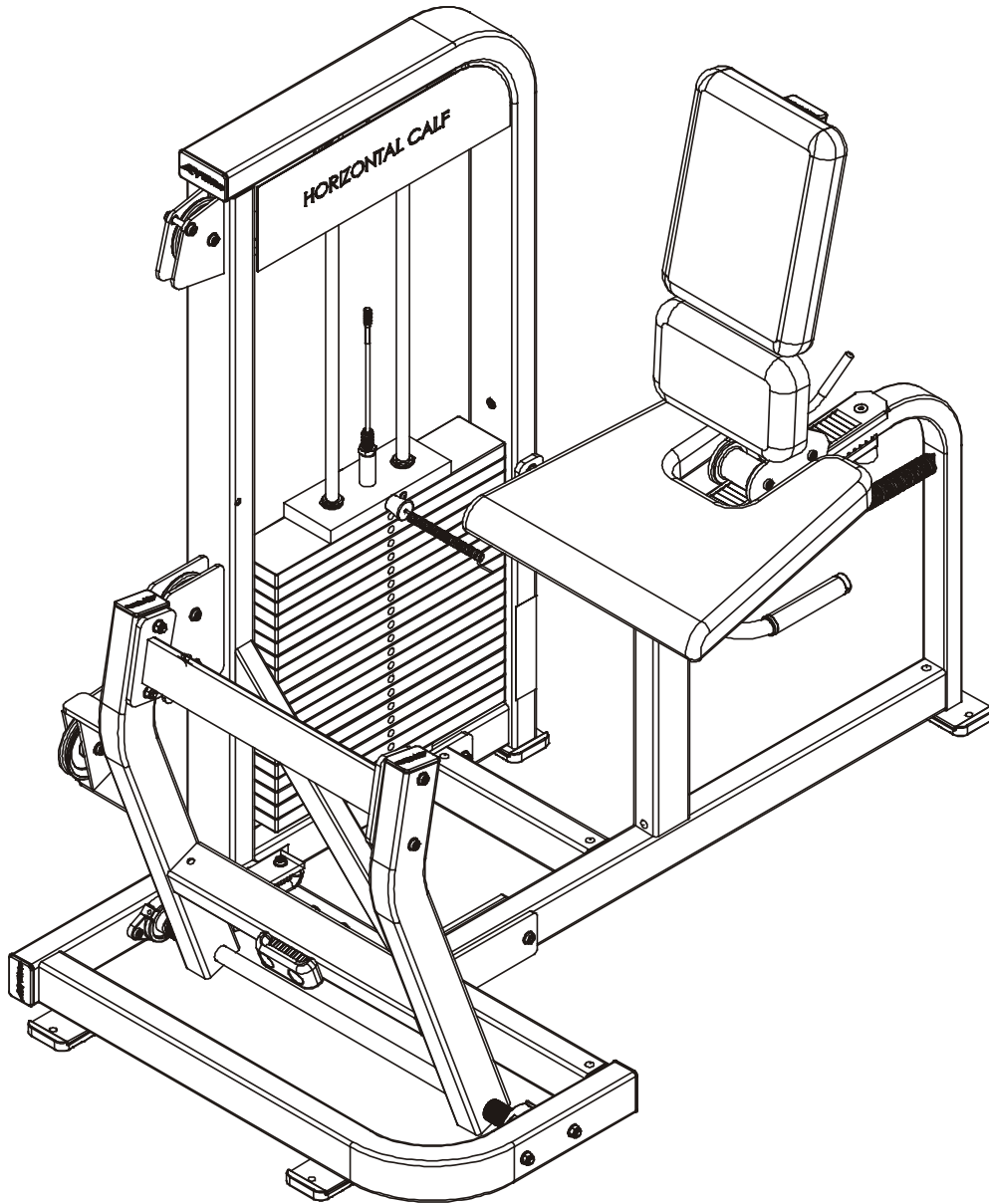


LifeFitness

PRO SERIES II PSHCSE HORIZONTAL CALF



Customer Support Services ***PARTS MANUAL***

PSHCSE HORIZONTAL CALF

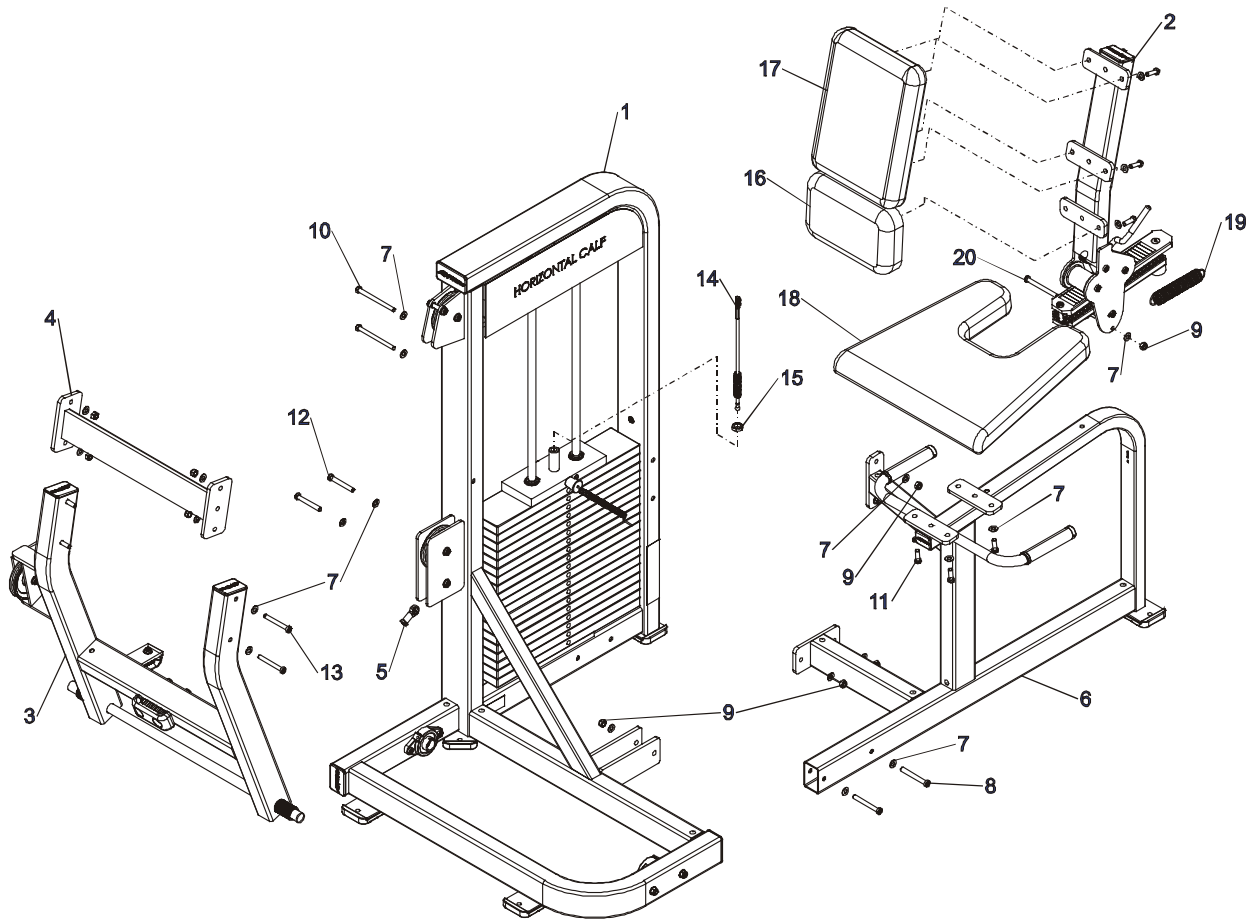
Notes:

PSHCSE HORIZONTAL CALF

Contents

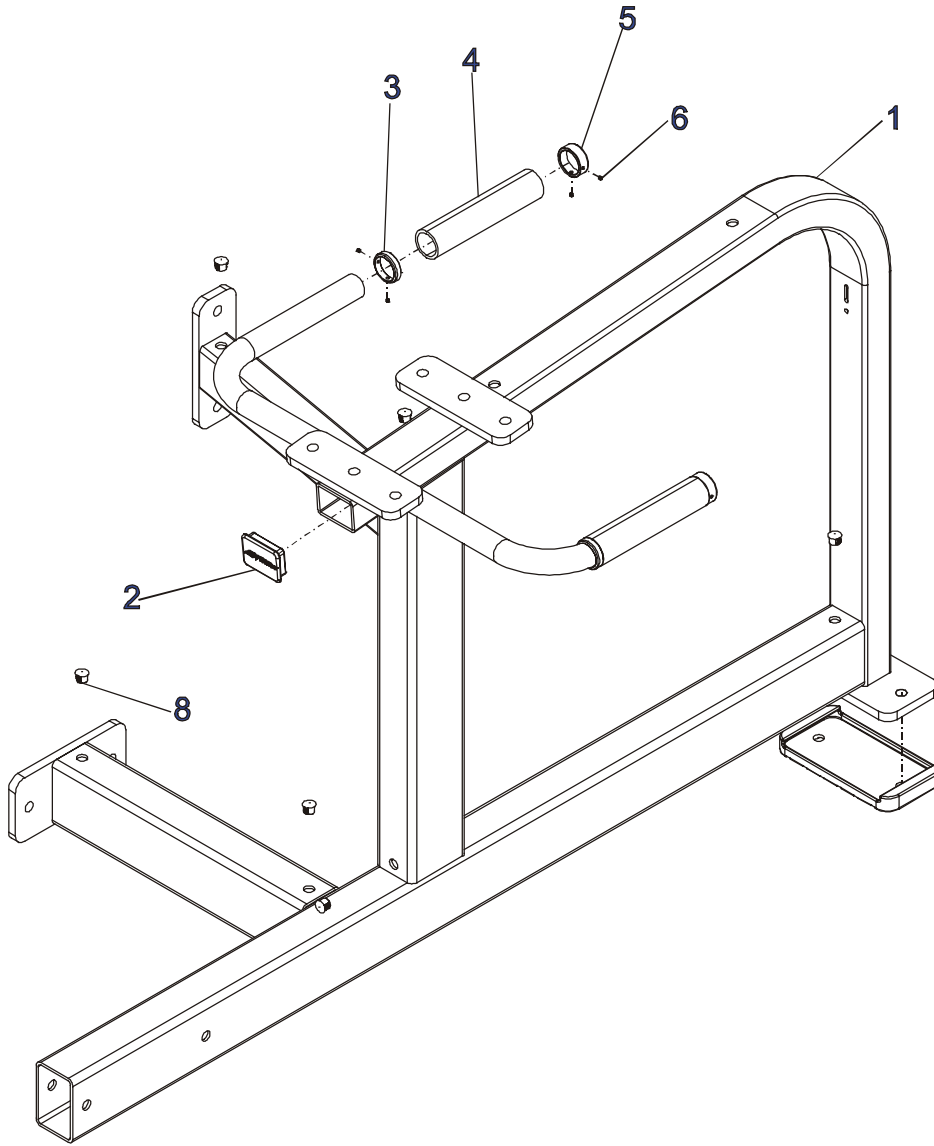
	PAGE
COMPONENT ASSEMBLY.....	4
SEAT FRAME ASSEMBLY.....	5
SIDE FRAME ASSEMBLY.....	6
SIDE FRAME CALLOUTS.....	7
WORK ARM ASSEMBLY.....	8
PS-ST6 ASSEMBLY.....	9
INCREMENT WEIGHT W/STIKER.....	10
WEIGHT STACK 390LB.....	11
SHROUD KIT WIDE-SHORT.....	12

PSHCSE HORIZONTAL CALF COMPONENT ASSEMBLY



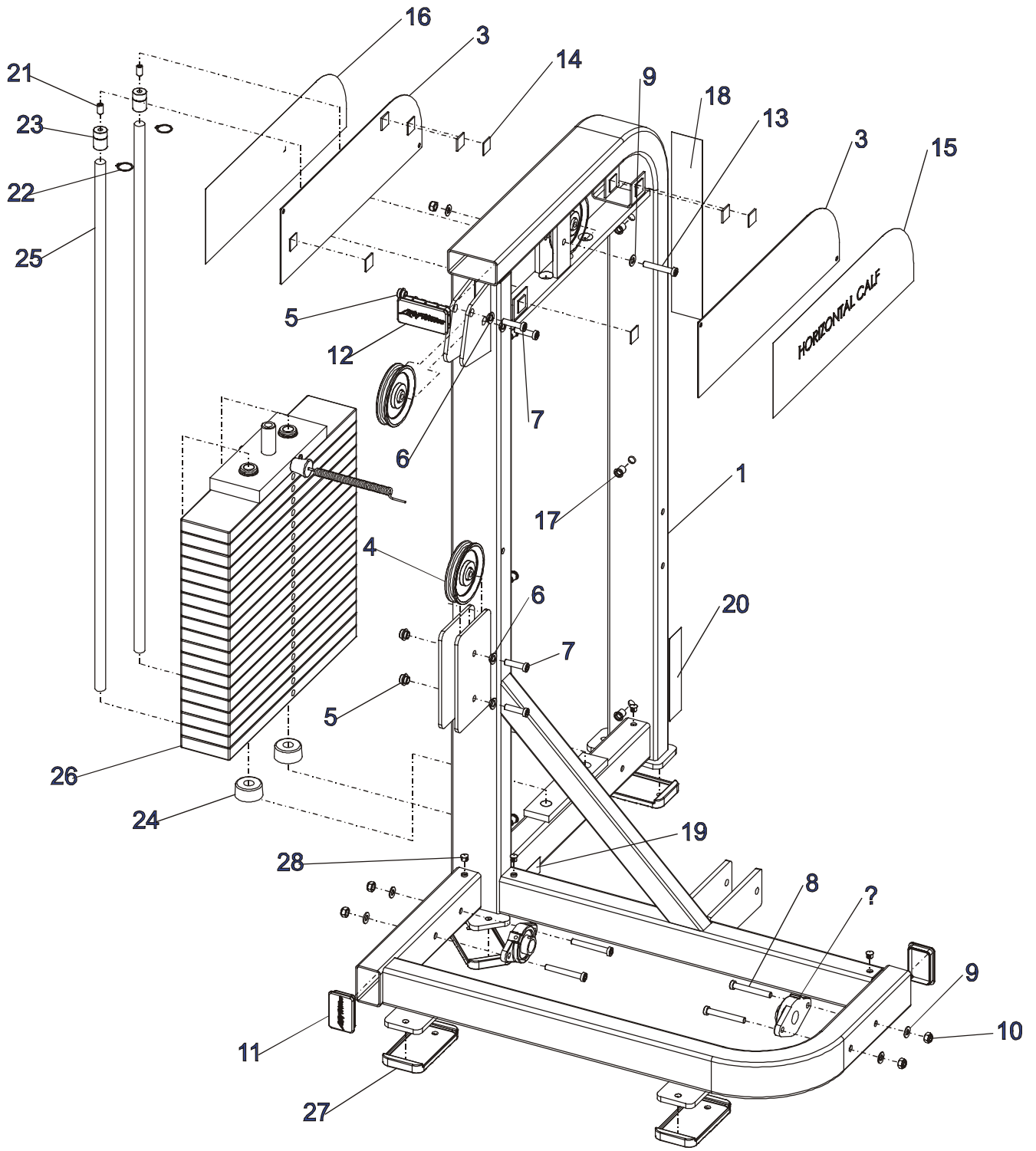
ITEM NO.	QTY.	PART NO.	DESCRIPTION
1	1	7466001	ASSY, PSHC SIDE FRAME
2	1	7387201	ASSY, PS-ST6
3	1	7467001	ASSY, PSHC WORK ARM
4	1	7467701	WLDMT, PSHC FOOT PLATFORM
5	1	3237901	ROD END, METRIC FEMALE
6	1	7468001	ASSY, PSHC-SEAT FRAME
7	31	3236601	WASHER, 3/8 SAE SS
8	2	3236214	SCREW, M10 X1.5 85MM
9	11	3236801	NUT, M10 HEX NYLOCK SS
10	2	3236219	SCREW, M10 X1.5 120MM
11	10	3236203	SCREW, M10 X1.5 30MM
12	2	3236212	SCREW, M10 X1.5 75MM
13	4	3236213	SCREW, M10 X1.5 80MM
14	1	7423610	CABLE, PSHC
15	1	3236902	NUT, M16 X 2 HEX JAM SS
16	1	7399300	PAD, 7 X 11-1/4
17	1	7422101	PAD, BACK 15 X 11-1/4
18	1	7459101	PAD, SEAT 18-1/2 X 19-7/8
19	1	7442601	SPRING, PRO2 ROLLER SEAT
20	1	3236217	SCREW, M10 X1.5 100MM

PSHCSE HORIZONTAL CALF SEAT FRAME ASSEMBLY



ITEM NO.	QTY.	PART NO.	DESCRIPTION
1	1	7468101	WLDMT, PSHC SEAT FRAME
2	1	7352201	CAP, END 1-1/2 X 2
3	2	7315601	RING, GRIP 1.25 OD
4	2	3235801	GRIP, SHADOW GREY OPEN END
5	2	7306901	CAP, GRIP 1.25 OD
6	8	3237201	M3 X .5 HXS NO CUP ST BO
7	1	7388201	Footpad, PS Rubber
8	6	3237401	PLUG, 7/16" HOLE

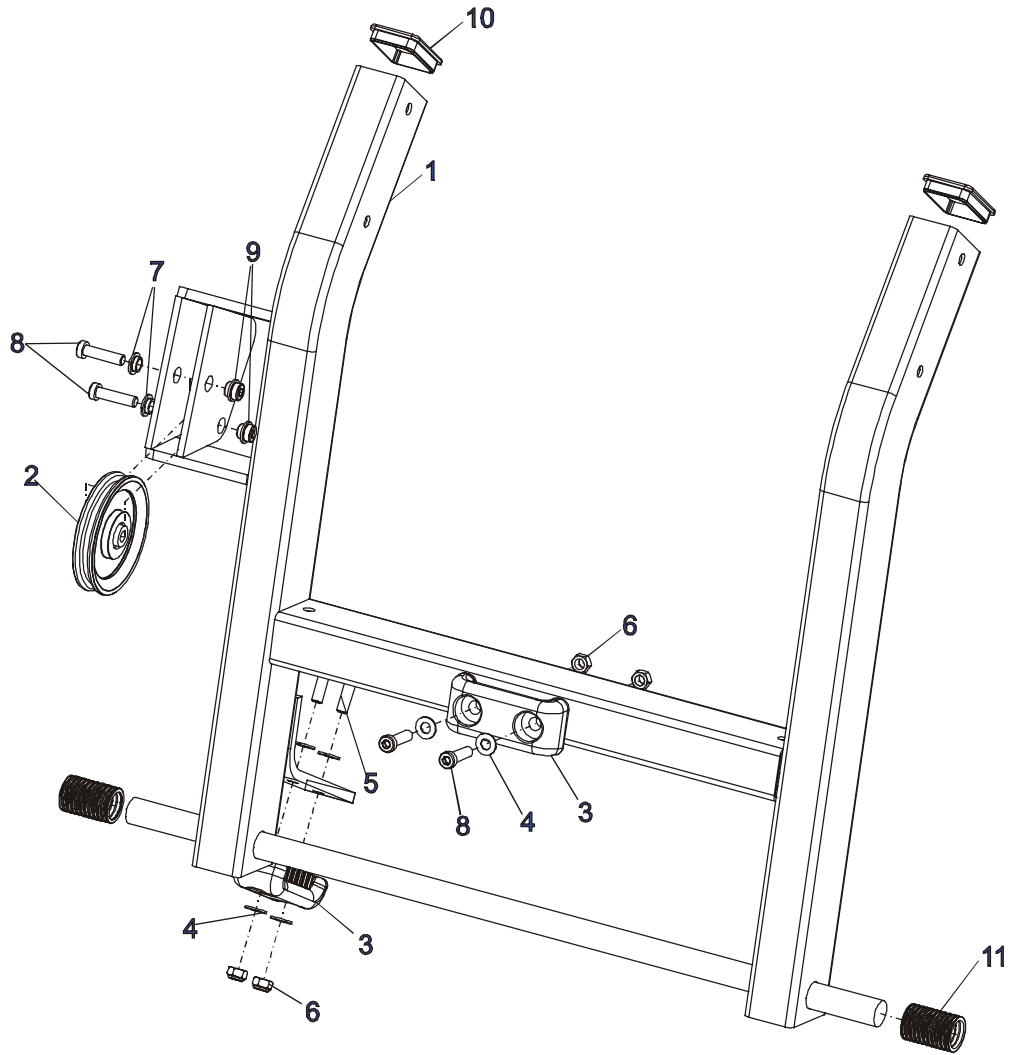
PSHCSE HORIZONTAL CALF SIDE FRAME ASSEMBLY



**PSHCSE HORIZONTAL CALF
SIDE FRAME CALLOUTS**

ITEM NO.	QTY.	PART NO.	DESCRIPTION
1	1	7466101	WELDMENT, PSHC-SF
2	2	3237701	ASSY, PILLOW BLOCK 4.88 X 2.75
3	2	7353202	COVER, STACK WIDE
4	3	3237801	PULLEY, 4.5" OD
5	4	7335401	NUT, M10 X 1.5 SOCKET HEAD
6	4	7348101	WASHER, SPACER
7	4	3236205	SCREW, M10 X1.5 40MM
8	4	3236212	SCREW, M10 X1.5 75MM
9	6	3236601	WASHER, 3/8 SAE SS
10	5	3236801	NUT, M10 HEX NYLOCK SS
11	2	7352301	CAP, END 2 X 3
12	1	7352401	CAP, END 2 X 4
13	1	3236209	SCREW, M10 X1.5 60MM
14	12	7544201	PAD, DUAL LOC 400, 1" X 1"
15	1	7490301	LABEL, PSHC PLACARD
16	1	7491601	LABEL, PSHC LOGO PANEL
17	6	3238101	NUT, BLIND INSERT M10 X 1.5
18	1	7348001	LABEL, LIFE FITNESS LOGO
19	1	7422007	LABEL, SERIAL NO
20	1	7422004	LABEL, 2" ASTM WARN
21	2	3240501	M10 X 1.5 HXS NO CUP ST BO
22	2	3232421	RING, BRE .940, 5100-100 ST PP B
23	2	7402301	RETAINER, GUIDEROD
24	2	7352101	CUSHION, WEIGHT STACK
25	2	7328604	GUIDE ROD, .75 OD SOLID 43.88
26	1	7353601	ASSY, 390LB. STACK
27	4	7388201	Footpad, PS Rubber
28	4	3237401	PLUG, 7/16" HOLE

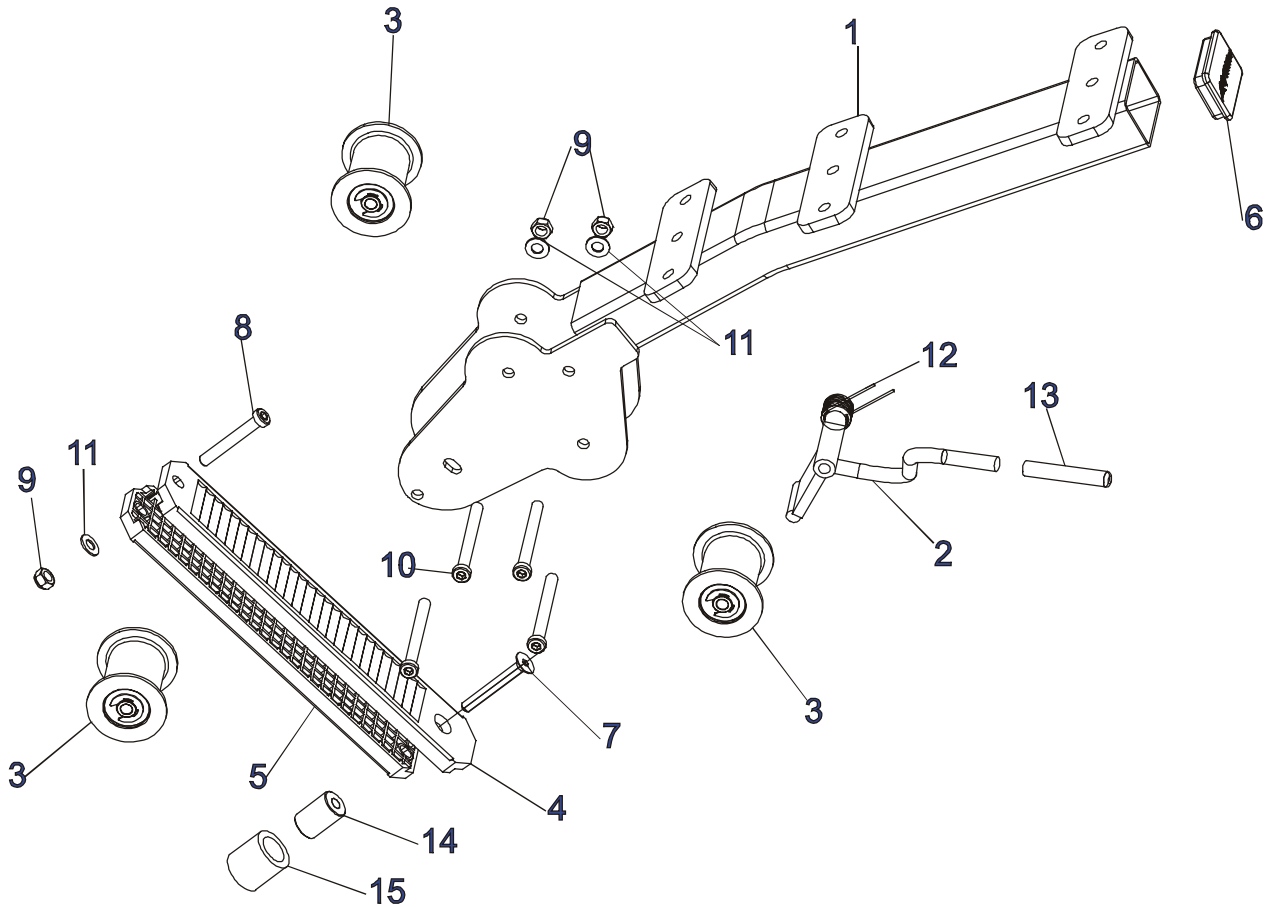
PSHCSE HORIZONTAL CALF WORK ARM ASSEMBLY



ITEM NO.	QTY.	PART NO.	DESCRIPTION
1	1	7467101	WLDMT, PSHC WORK ARM
2	1	3237801	PULLEY, 4.5" OD
3	2	7352001	BUMPER, 2-1/8 X 4-5/8
4	6	3236601	WASHER, 3/8 SAE SS
5	2	3236204	SCREW, M10 X1.5 35MM
6	4	3236801	NUT, M10 HEX NYLOCK SS
7	2	7348101	WASHER, SPACER
8	4	3236205	SCREW, M10 X1.5 40MM
9	2	7335401	NUT, M10 X 1.5 SOCKET HEAD
10	2	7352301	CAP, END 2 X 3
11	2	6912804	SLEEVE, ACCRDN 1.0 ID

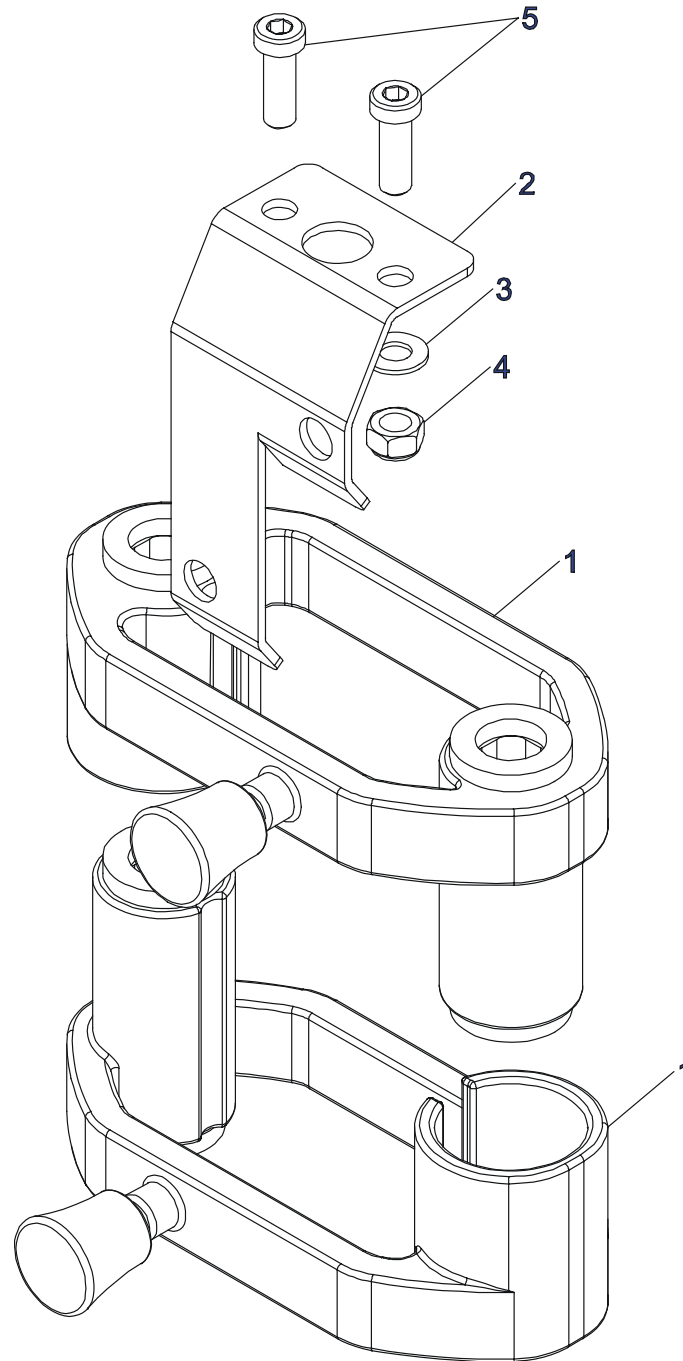
PSHCSE HORIZONTAL CALF

PS-ST6 ASSY



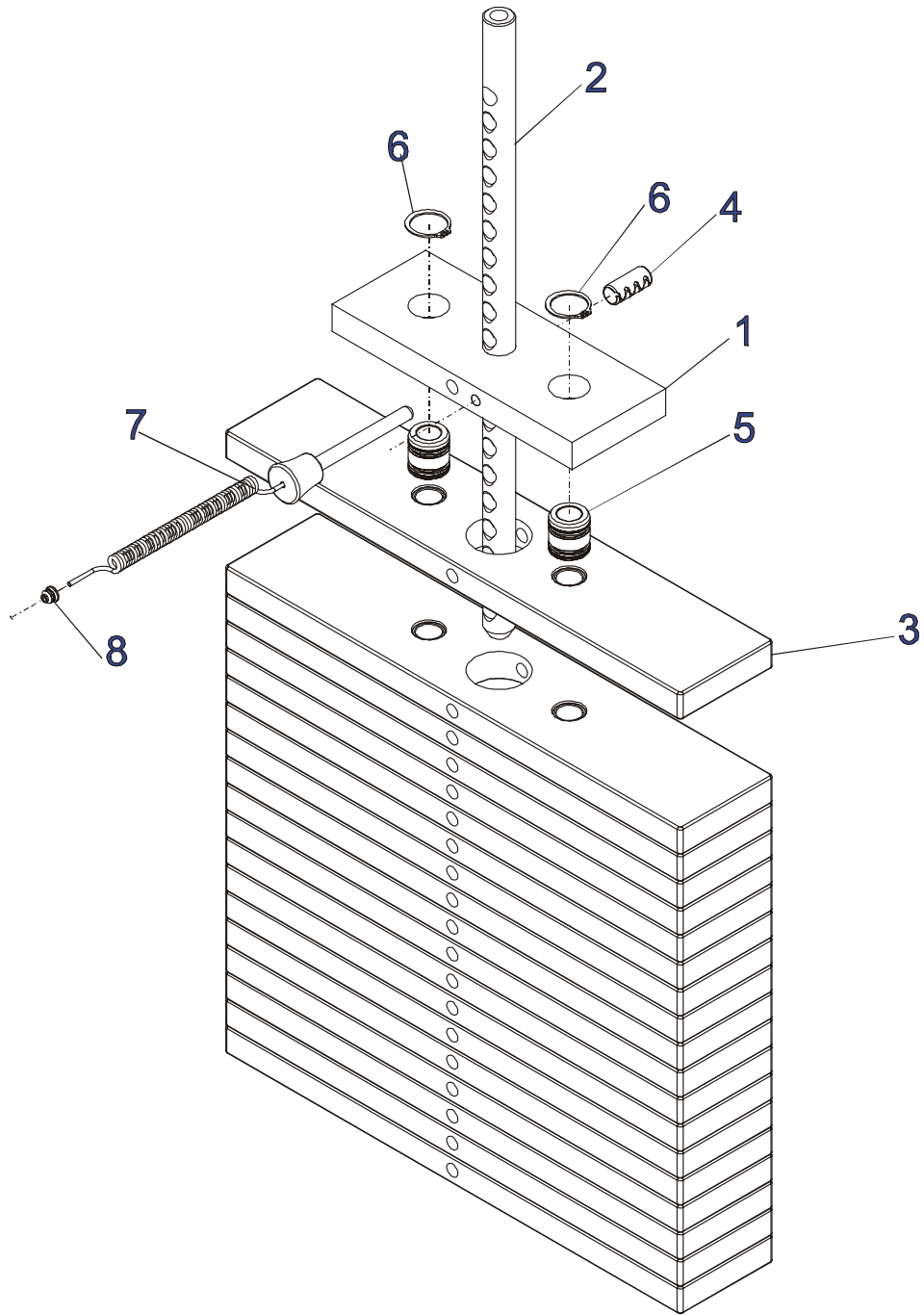
ITEM NO.	QTY.	PART NO.	DESCRIPTION
1	1	7387301	WELDMENT, PS-ST6
2	1	7387595	Weldmnt, PS-Roller Seat Handle
3	3	7564201	ASSY, SEAT ROLLER
4	1	7564301	SEATRACK, ROLLER SERRATED
5	1	7564401	SEATRACK, FLAT
6	1	7352301	CAP, END 2 X 3
7	1	3238312	M10x1.5x75mm
8	1	3236211	SCREW, M10 X1.5 70MM
9	5	3236801	NUT, M10 HEX NYLOCK SS
10	4	3236217	SCREW, M10 X1.5 100MM
11	5	3236601	WASHER, 3/8 SAE SS
12	1	7442701	SPRNG, PRO2 HANDLE TORSION
13	1	3238502	CAP, 1/2 X 5/8
14	1	7570601	STOP, ROLLER SEAT
15	1	3235802	GRIP, SHADOW GRAY, 1.5"

PSHCSE HORIZONTAL CALF INCREMENT WEIGHT W/STRIKER



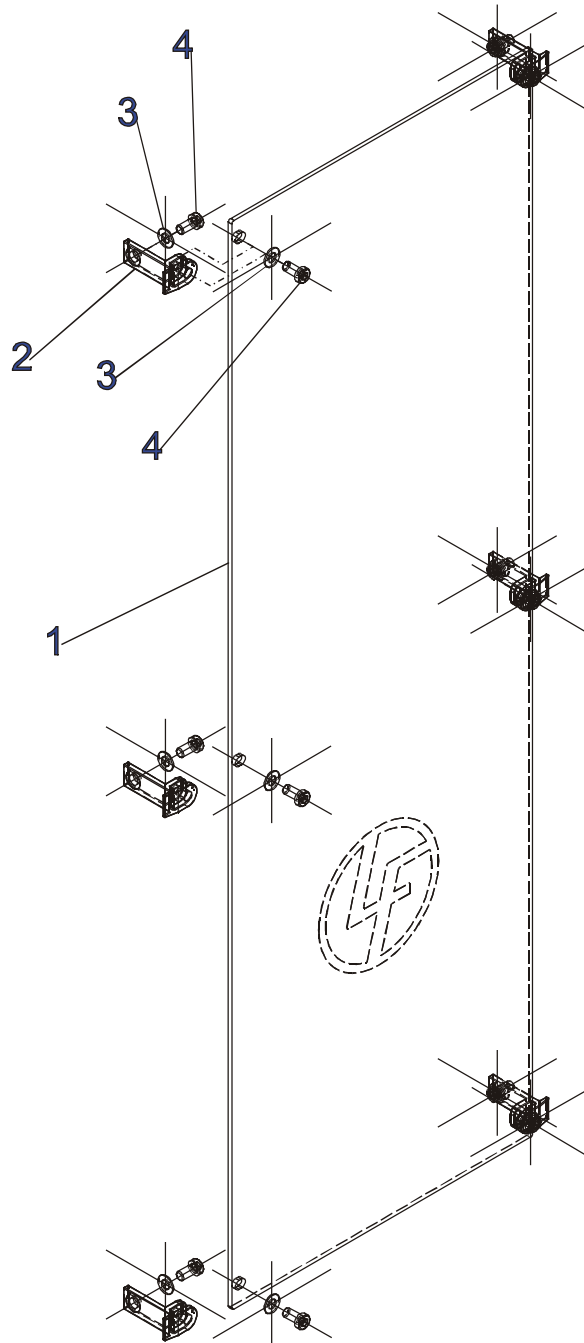
ITEM NO.	QTY.	PART NO.	DESCRIPTION
1	2	7446501	ASSY, 5LB INCREMENT WEIGHT
2	1	7447101	PLATE, INCR. WT STRIKER
3	2	3236601	WASHER, 3/8 SAE SS
4	2	3236801	NUT, M10 HEX NYLOCK SS
5	2	3236203	SCREW, M10 X1.5 30MM

PSHCSE HORIZONTAL CALF WEIGHT STACK ASSY 390LB



ITEM NO	QTY	PART NO.	DESCRIPTION
1	1	7353901	HEADPLATE, WT. STACK
2	1	7356600	STEM, PRO2 19 HOLE
3	19	7328401	WEIGHT PLATE, 20 LB
4	1	3236001	BUSHING, SPRING PIN
5	2	7338001	BUSHING, HEADPLATE
6	2	NOT AVAILABLE YET	SNAP RING, BSHNG
7	1	7353001	ASSY, SELECTOR PIN
8	1	7356501	PLUG, LANYARD ATTACHMENT

PSHCSE HORIZONTAL CALF SHROUD KIT WIDE-SHORT



ITEM NO.	QTY.	PART NO.	DESCRIPTION
1	1	7376804	SHIELD, PS REAR
2	6	7655301	BRACKET, PS REAR
3	12	3236601	SHIELD
4	12	3236201	SCREW, M10 X1.5 20MM