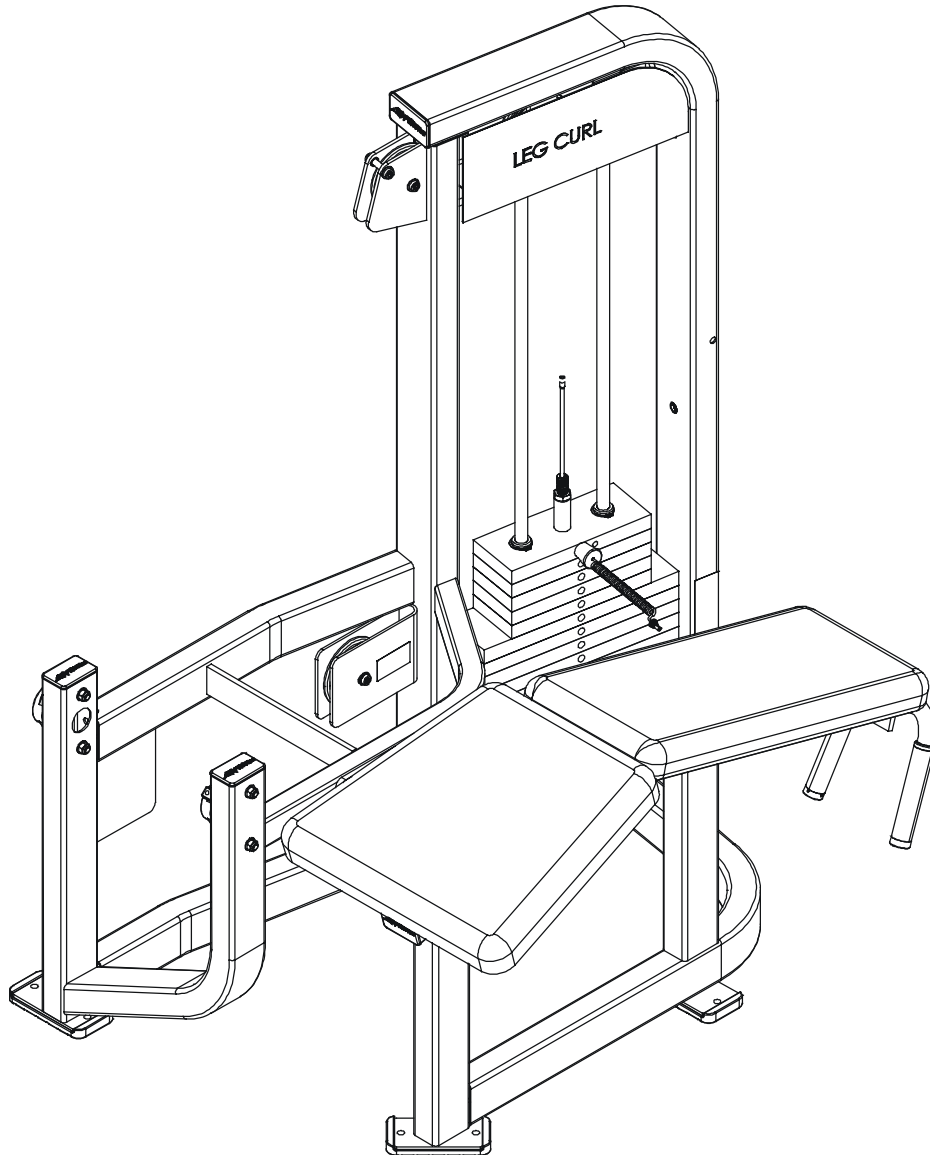


LifeFitness

PRO SERIES II PSLCSE LEG CURL



Customer Support Services ***PARTS MANUAL***

PSLCSE LEG CURL

Notes:

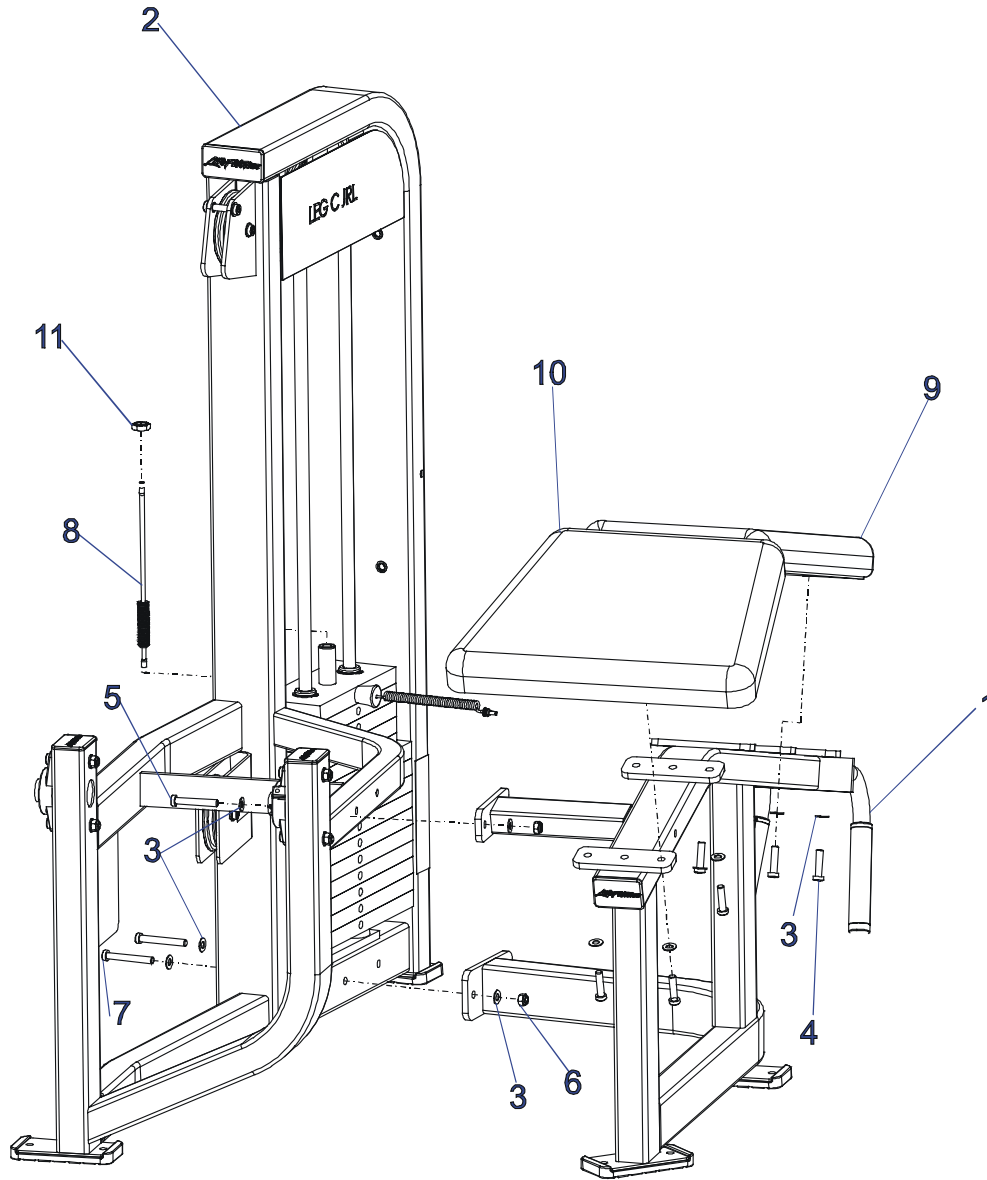
PSLCSE LEG CURL

Contents

| | PAGE |
|----------------------------------|-------------|
| COMPONENT ASSEMBLY..... | 4 |
| SIDE FRAME ASSEMBLY..... | 5 |
| SIDE FRAME CALLOUTS | 6 |
| OPTIONAL MA ASSEMBLY..... | 7 & 8 |
| OPTIONAL CAM ASSEMBLY | 9 |
| FOUR-BAR SHIFTER | 10 |
| SEAT FRAME ASSEMBLY..... | 11 |
| INCREMENT WEIGHT W/STRIKER | 12 |
| WEIGHT STACK 200LB | 13 |
| SHROUD KIT STD-SHORT | 14 |

PSLCSE LEG CURL

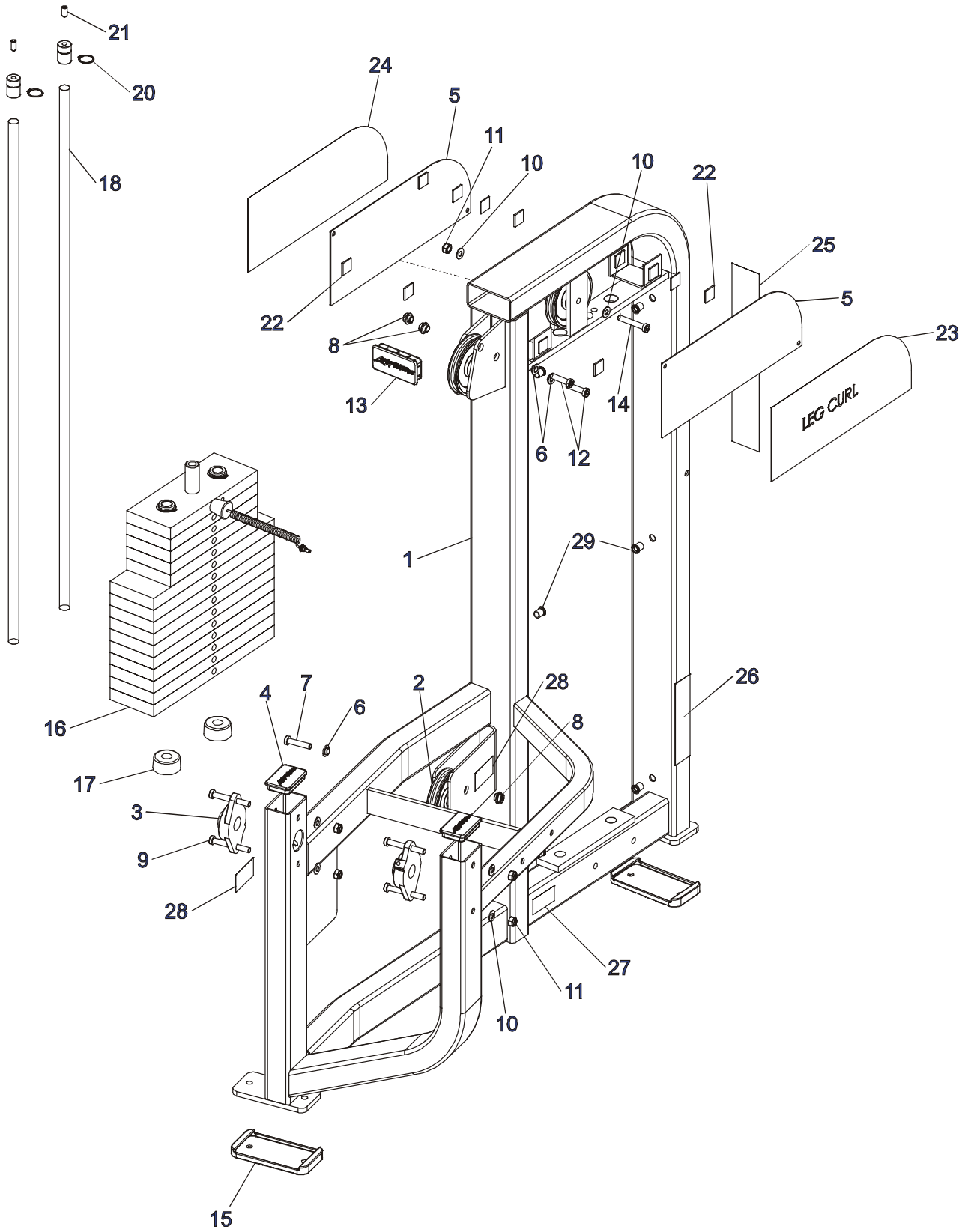
COMPONENT ASSEMBLY



| ITEM NO. | QTY. | PART NO. | DESCRIPTION |
|----------|------|----------|-------------------------|
| 1 | 1 | 7394801 | ASSY, PSLC-SEAT FRAME |
| 2 | 1 | 7393501 | ASSY, PSLC-SIDE FRAME |
| 3 | 16 | 3236601 | WASHER, 3/8 SAE SS |
| 4 | 8 | 3236205 | SCREW, M10 X1.5 40MM |
| 5 | 2 | 3236210 | SCREW, M10 X1.5 65MM |
| 6 | 4 | 3236801 | NUT, M10 HEX NYLOCK SS |
| 7 | 2 | 3236212 | SCREW, M10 X1.5 75MM |
| 8 | 1 | 7423704 | CABLE, PSLC |
| 9 | 1 | 7398801 | PAD, BACK 25 X 11-1/4 |
| 10 | 1 | 7399101 | PAD, 17 X 18 1/2 |
| 11 | 1 | 3236902 | NUT, M16 X 2 HEX JAM SS |

PSLCSE LEG CURL

SIDE FRAME ASSEMBLY

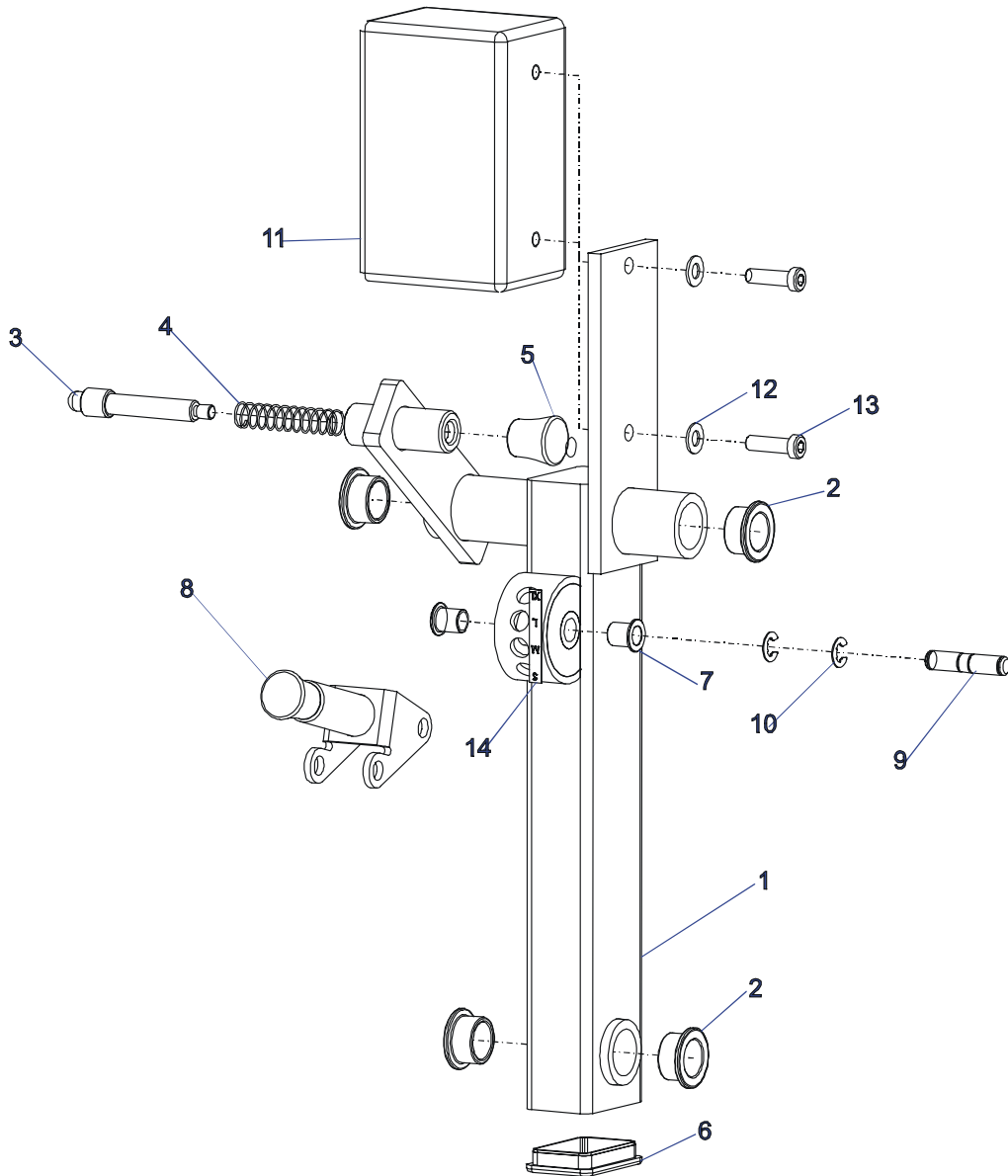


PSLCSE LEG CURL
SIDE FRAME ASSY CALLOUTS

| ITEM NO. | QTY. | PART NO. | DESCRIPTION |
|----------|------|----------|----------------------------------|
| 1 | 1 | 7393601 | WLDMT, PSLC-SIDE FRAME |
| 2 | 3 | 3237801 | PULLEY, 4.5" OD |
| 3 | 2 | 3237701 | ASSY, PILLOW BLOCK 4.88 X 2.75 |
| 4 | 2 | 7352301 | CAP, END 2 X 3 |
| 5 | 2 | 7353200 | COVER, STACK |
| 6 | 3 | 7348101 | WASHER, SPACER |
| 7 | 1 | 3236206 | SCREW, M10 X1.5 45MM |
| 8 | 3 | 7335401 | NUT, M10 X 1.5 SOCKET HEAD |
| 9 | 4 | 3236212 | SCREW, M10 X1.5 75MM |
| 10 | 6 | 3236601 | WASHER, 3/8 SAE SS |
| 11 | 5 | 3236801 | NUT, M10 HEX NYLOCK SS |
| 12 | 2 | 3236205 | SCREW, M10 X1.5 40MM |
| 13 | 1 | 7352401 | CAP, END 2 X 4 |
| 14 | 1 | 3236209 | SCREW, M10 X1.5 60MM |
| 15 | 2 | 7388201 | Footpad, PS Rubber |
| 16 | 1 | 7353401 | ASSY, 200LB STACK |
| 17 | 2 | 7352101 | CUSHION, WEIGHT STACK |
| 18 | 2 | 7328604 | GUIDE ROD, .75 OD SOLID 43.88 |
| 19 | 2 | 7402301 | RETAINER, GUIDEROD |
| 20 | 2 | 3232421 | RING, BRE .940, 5100-100 ST PP B |
| 21 | 2 | 3240501 | M10 X 1.5 HXS NO CUP ST BO |
| 22 | 12 | 7544201 | PAD, DUAL LOC 400, 1" X 1" |
| 23 | 1 | 7443701 | LABEL, PSLC PLACARD |
| 24 | 1 | 7491501 | LABEL, PSLC LOGO PANEL |
| 25 | 1 | 7348001 | LABEL, LIFE FITNESS LOGO |
| 26 | 1 | 7422004 | LABEL, 2" ASTM WARN |
| 27 | 1 | 7422007 | LABEL, SERIAL NO |
| 28 | 2 | 7422003 | LABEL, MOVING PARTS |
| 29 | 6 | 3238101 | NUT, BLIND INSERT M10 X 1.5 |

PSLCSE LEG CURL

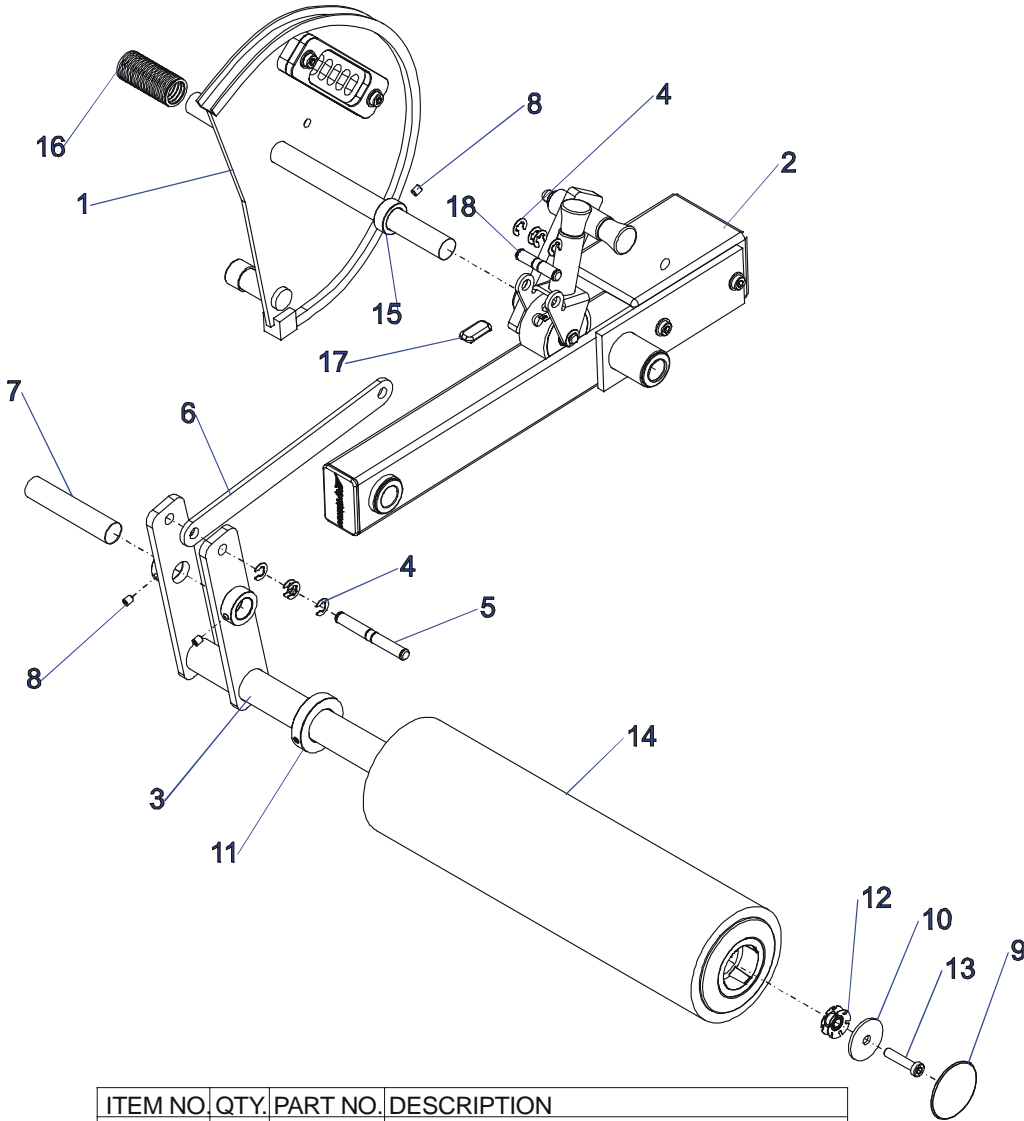
OPTIONAL MA ASSEMBLY



| ITEM NO. | QTY. | PART NO. | DESCRIPTION |
|----------|------|----------|---------------------------------|
| 1 | 1 | 7397501 | WLDMT, PSLC-OPT MA |
| 2 | 4 | 3104903 | 1.00" ID 1.25" OD BRONZ BUSHING |
| 3 | 1 | 7351301 | PIN, PULL |
| 4 | 1 | 7351501 | SPRING; PULL PIN LARGE |
| 5 | 1 | 7351401 | KNOB, TULIP STYLE |
| 6 | 1 | 7352301 | CAP, END 2 X 3 |
| 7 | 2 | 6020601 | BEARING, FLG 1/2 ID X 5/8 OD |
| 8 | 1 | 7379801 | ASSY, PS - 4-BAR SHIFTER |
| 9 | 1 | 7380201 | PIN, PS - 4-BAR |
| 10 | 2 | 3221705 | E-RING, 3/8 |
| 11 | 1 | 7365901 | WEIGHT, COUNTER MED |
| 12 | 2 | 3236601 | WASHER, 3/8 SAE SS |
| 13 | 2 | 3236204 | SCREW, M10 X1.5 35MM |
| 14 | 1 | 7422005 | LABEL, SMALL - XL |

PSLCSE LEG CURL

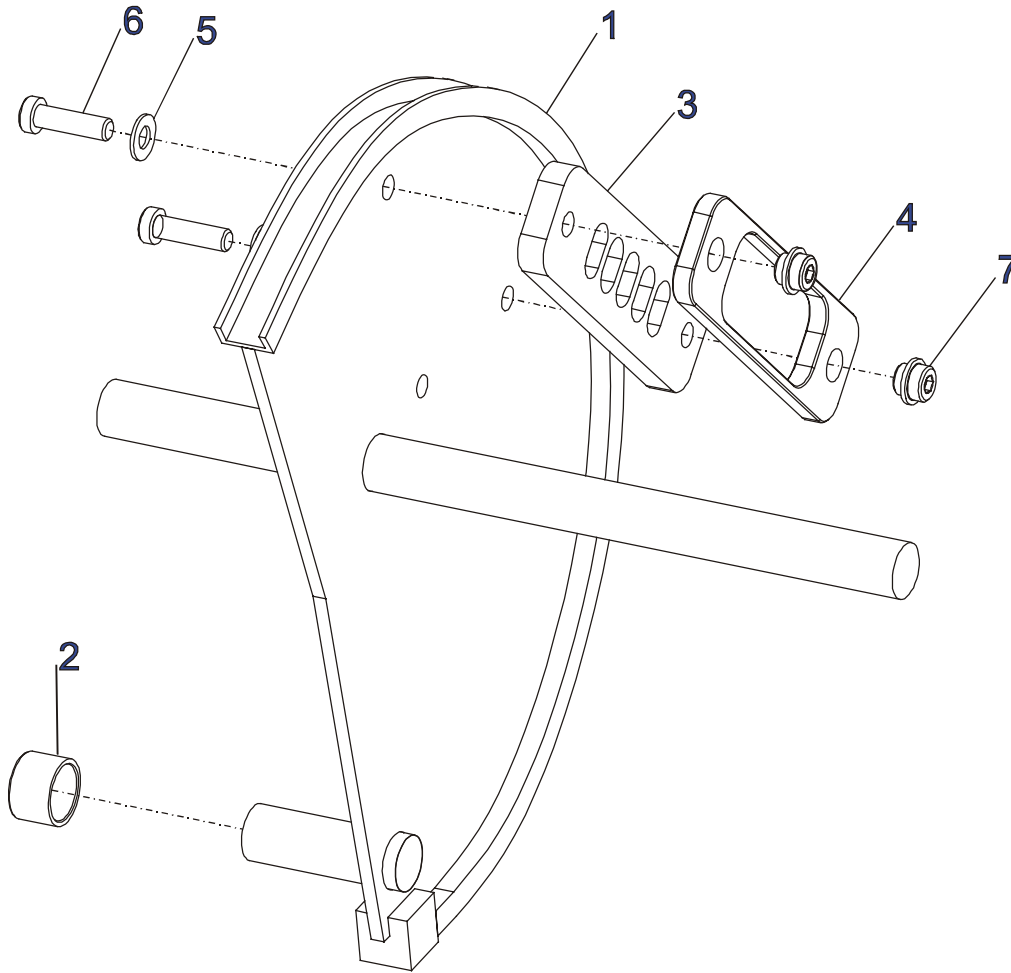
OPTIONAL MA ASSEMBLY



| ITEM NO. | QTY. | PART NO. | DESCRIPTION |
|----------|------|----------|---------------------------------|
| 1 | 1 | 7397201 | ASSY, PSLC-OPT CAM |
| 2 | 1 | 7397401 | ASSY, PSLC-OPT MA |
| 3 | 1 | 7375895 | WELDMENT, PSLE-OPTIONAL MA KCKR |
| 4 | 8 | 3221705 | E-RING, 3/8 |
| 5 | 1 | 7380202 | PIN, PS - 4-BAR |
| 6 | 1 | 7380195 | Link, PS - 4-Bar Assy |
| 7 | 1 | 7358201 | SHAFT, 1 DIA STAINLESS X 4-7/8 |
| 8 | 3 | 3242902 | SCREW, SET BO |
| 9 | 1 | 7308701 | CAP, BEARING HOUSING |
| 10 | 1 | 7322301 | PLATE, 1.97 OD X .44 ID 10GA |
| 11 | 1 | 7357901 | SHAFT COLLAR, 1-1/2" ID ALUM |
| 12 | 1 | 7347301 | NUT, SPIDER M10 X 1.5 |
| 13 | 1 | 3236206 | SCREW, M10 X1.5 45MM |
| 14 | 1 | 7392801 | ASSY, ROLLER PAD - LONG |
| 15 | 1 | 7435301 | 1" ID SHAFT COLLAR BORED .020 |
| 16 | 1 | 6912806 | SLEEVE, ACCRDN 1.0 ID |
| 17 | 1 | 7570801 | Guard, Paint 1.25"x.75"x.25" |
| 18 | 1 | 7380201 | PIN, PS - 4-BAR |

PSLCSE LEG CURL

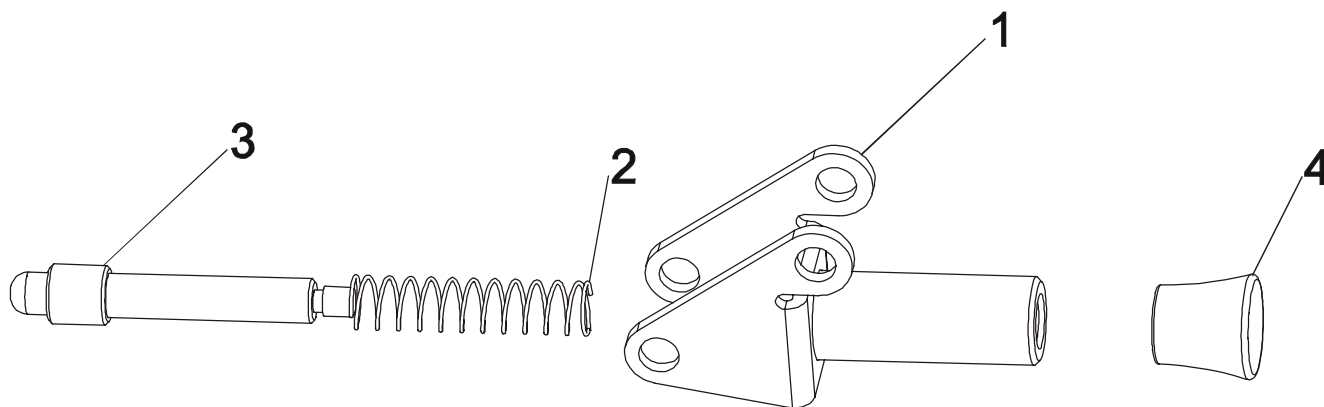
OPTIONAL CAM ASSEMBLY



| ITEM NO. | QTY. | PART NO. | DESCRIPTION |
|----------|------|----------|----------------------------|
| 1 | 1 | 7397301 | WLDMT, PSLC-OPT CAM |
| 2 | 1 | 7481201 | BRNG, 25M X 30M X 20 |
| 3 | 1 | 7352501 | 5-HOLE SELECTOR PLATE |
| 4 | 1 | 7350901 | PLATE, SLOT STOP |
| 5 | 2 | 3236601 | WASHER, 3/8 SAE SS |
| 6 | 2 | 3236204 | SCREW, M10 X1.5 35MM |
| 7 | 2 | 7335401 | NUT, M10 X 1.5 SOCKET HEAD |

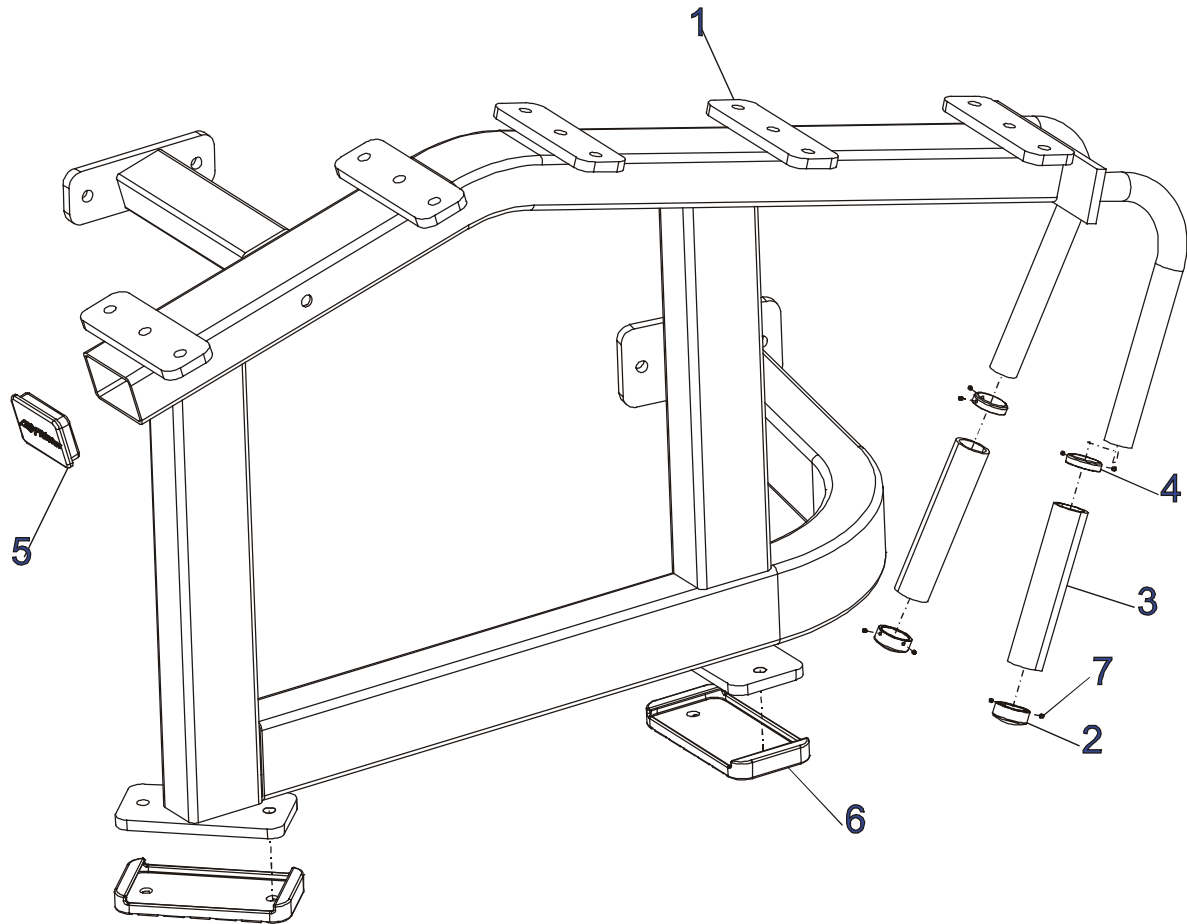
PSLCSE LEG CURL

FOUR-BAR SHIFTER



| ITEM NO. | QTY. | PART NO. | DESCRIPTION |
|----------|------|----------|------------------------------|
| 1 | 1 | 7379995 | Weldment, PS - 4-Bar Shifter |
| 2 | 1 | 7351501 | SPRING; PULL PIN LARGE |
| 3 | 1 | 7351301 | PIN, PULL |
| 4 | 1 | 7351401 | KNOB, TULIP STYLE |

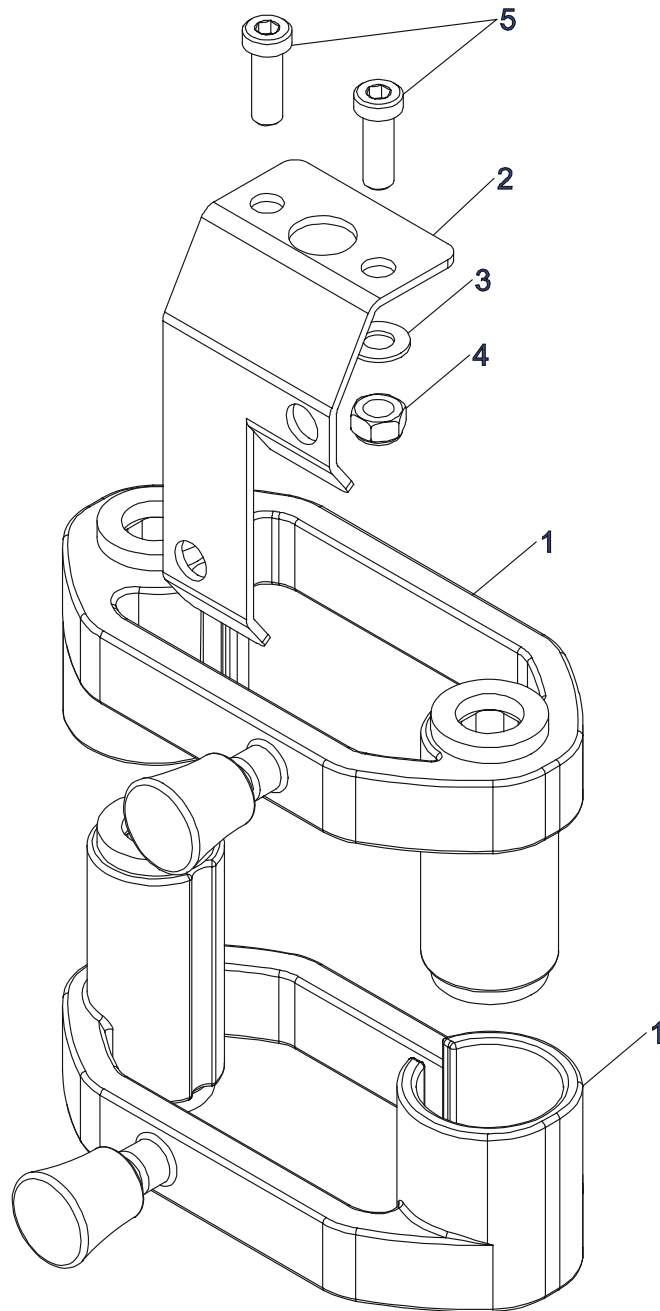
PSLCSE LEG CURL SEAT FRAME ASSEMBLY



| ITEM NO. | QTY. | PART NO. | DESCRIPTION |
|----------|------|----------|----------------------------|
| 1 | 1 | 7394901 | Wldmt, PSLC-ST Frame |
| 2 | 2 | 7306901 | CAP, GRIP 1.25 OD |
| 3 | 2 | 3235801 | GRIP, SHADOW GREY OPEN END |
| 4 | 2 | 7315601 | RING, GRIP 1.25 OD |
| 5 | 1 | 7352301 | CAP, END 2 X 3 |
| 6 | 2 | 7388201 | Footpad, PS Rubber |
| 7 | 8 | 3237201 | M3 X .5 HXS NO CUP ST BO |

PSLCSE LEG CURL

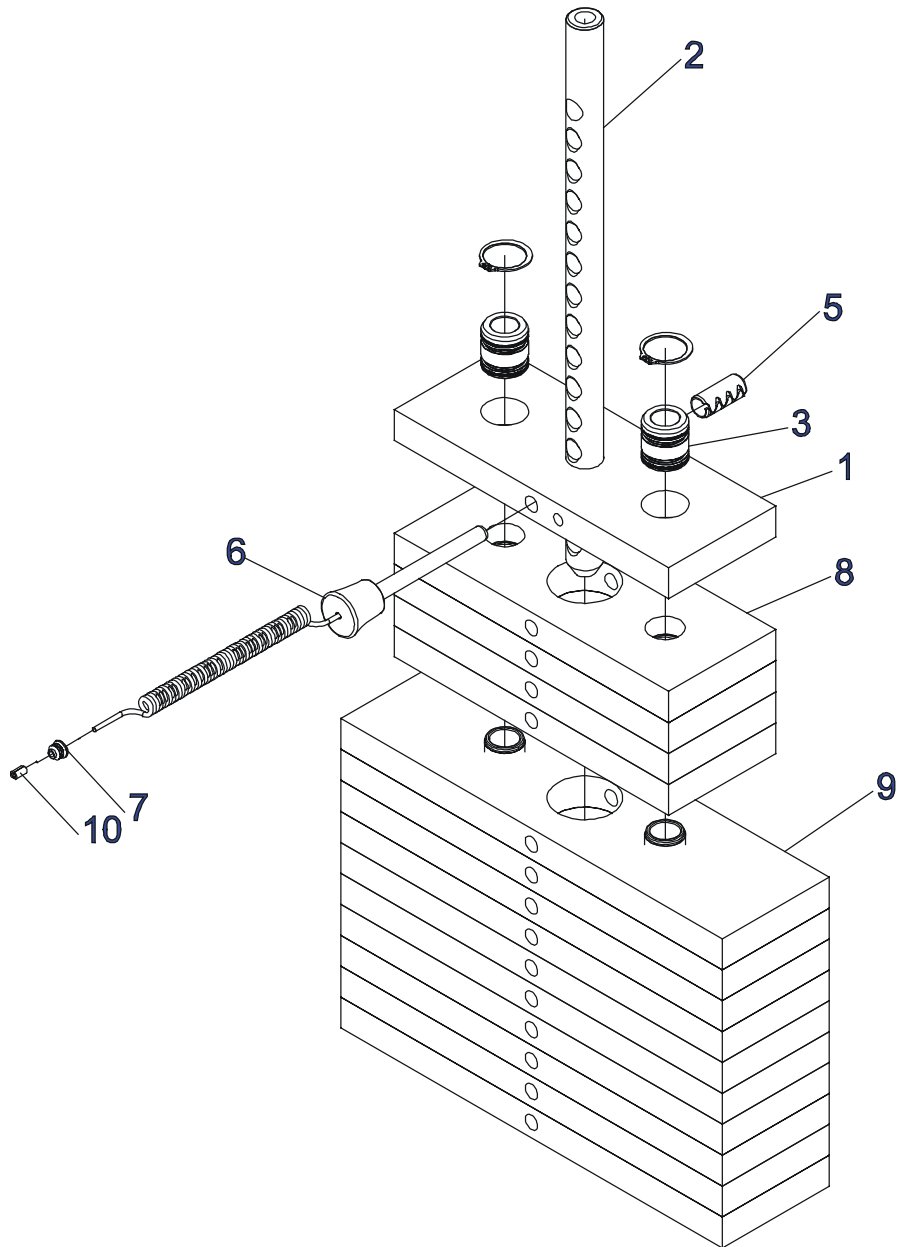
INCREMENT WEIGHT W/STRIKER



| ITEM NO. | QTY. | PART NO. | DESCRIPTION |
|----------|------|----------|----------------------------|
| 1 | 2 | 7446501 | ASSY, 5LB INCREMENT WEIGHT |
| 2 | 1 | 7447101 | PLATE, INCR. WT STRIKER |
| 3 | 2 | 3236601 | WASHER, 3/8 SAE SS |
| 4 | 2 | 3236801 | NUT, M10 HEX NYLOCK SS |
| 5 | 2 | 3236203 | SCREW, M10 X1.5 30MM |

PSLCSE LEG CURL

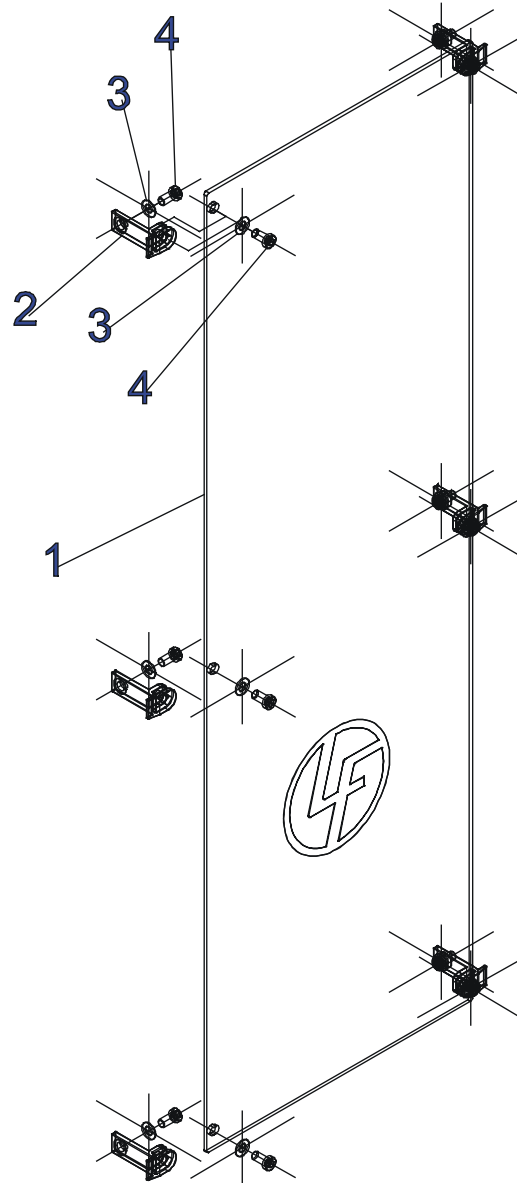
WEIGHT STACK ASSY 200LB



| ITEM NO. | QTY. | PART NO. | DESCRIPTION |
|----------|------|----------|--------------------------|
| 1 | 1 | 7353901 | HEADPLATE, WT. STACK |
| 2 | 1 | 7352601 | BAYONET, 14 PLATE |
| 3 | 2 | 7338001 | BUSHING, HEADPLATE |
| 5 | 1 | 3236001 | BUSHING, SPRING PIN |
| 6 | 1 | 7353001 | ASSY, SELECTOR PIN |
| 7 | 1 | 7356501 | PLUG, LANYARD ATTACHMENT |
| 8 | 4 | 7353701 | ASSY, 10 LB PLATE |
| 9 | 10 | 7353801 | ASSY, 15 LB PLATE |
| 10 | 1 | 7523601 | CRIMP, CABLE |

PSLCSE LEG CURL

SHROUD KIT STD-SHORT



| ITEM NO. | QTY. | PART NO. | DESCRIPTION |
|----------|------|----------|----------------------|
| 1 | 1 | 7376801 | SHIELD, PS REAR |
| 2 | 6 | 7655301 | BRACKET, PS REAR |
| 3 | 12 | 3236601 | SHIELD |
| 4 | 12 | 3236201 | SCREW, M10 X1.5 20MM |