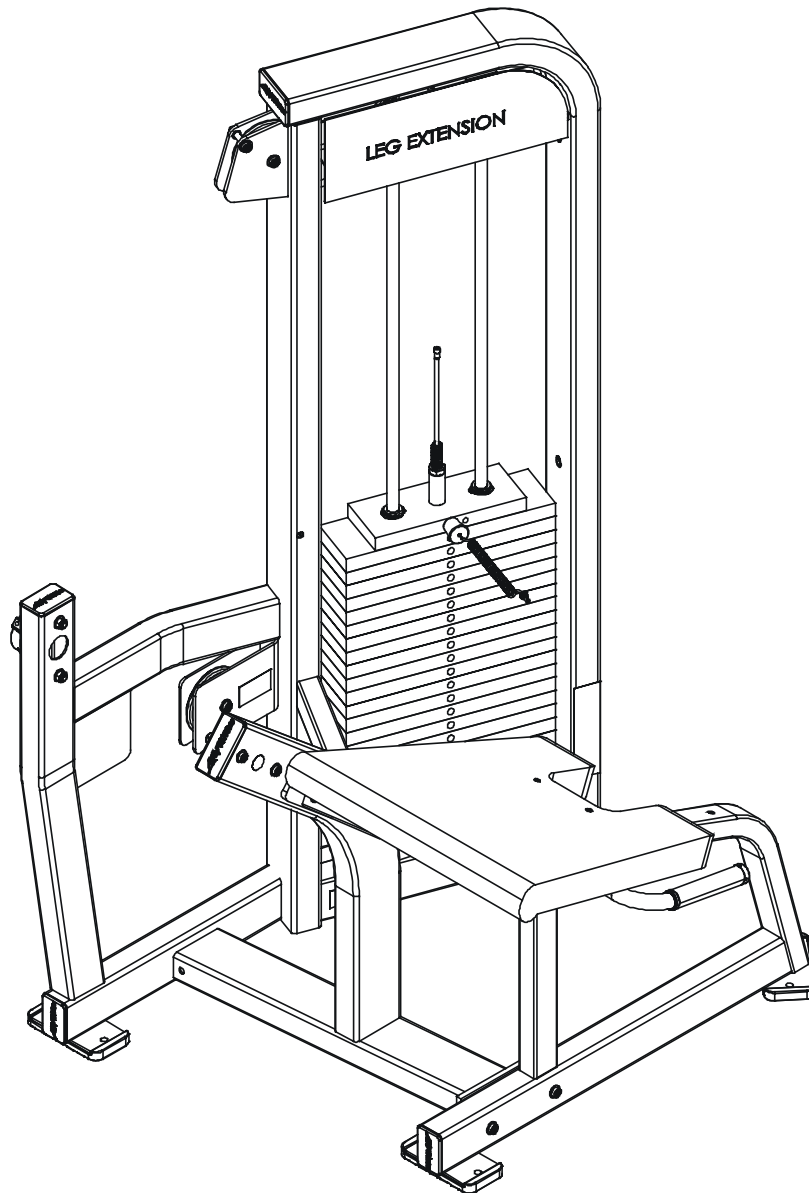


LifeFitness

PRO SERIES II PSLESE LEG EXTENSION



Customer Support Services ***PARTS MANUAL***

PSLESE LEG EXTENSION

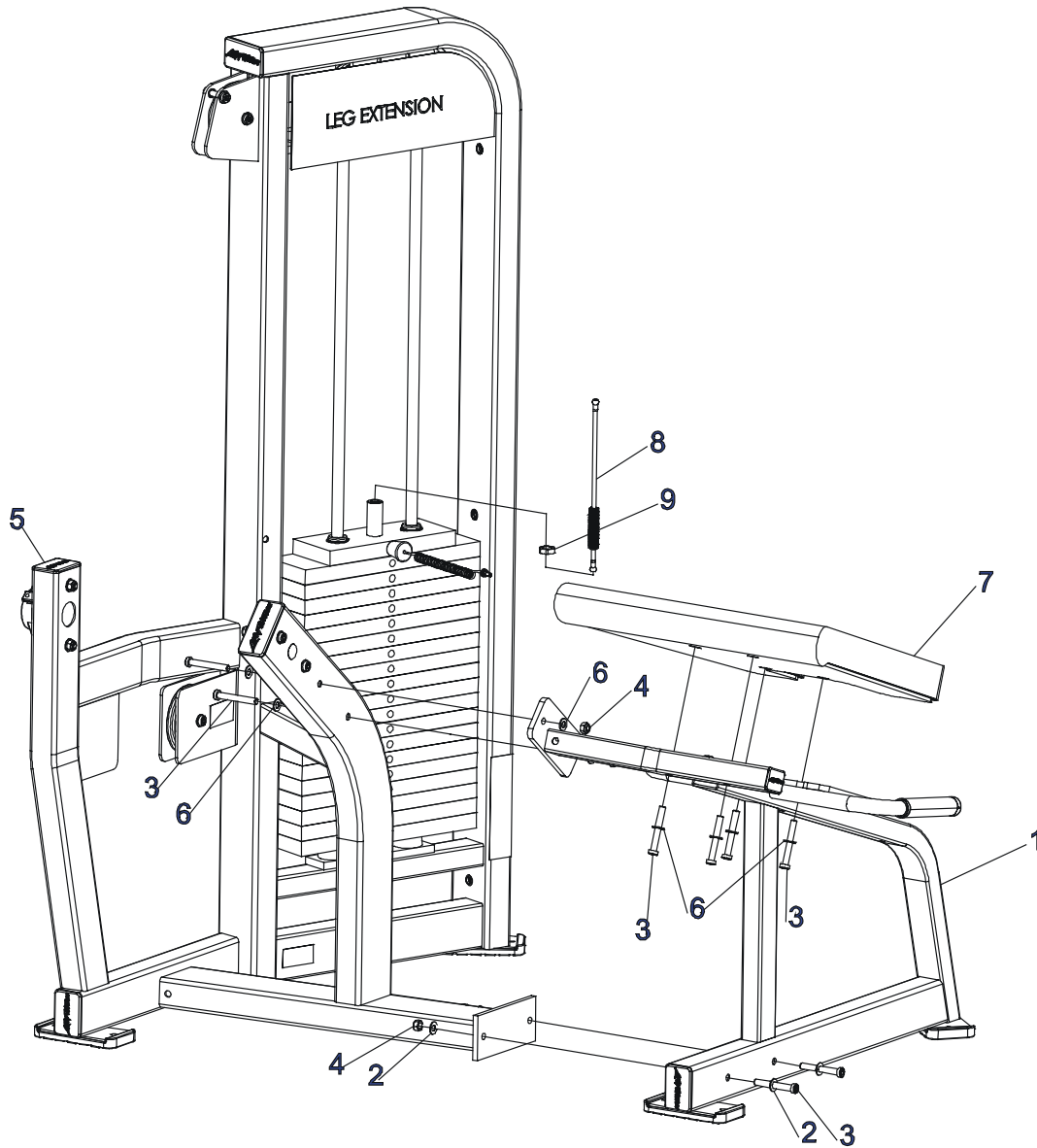
Notes:

PSLESE LEG EXTENSION

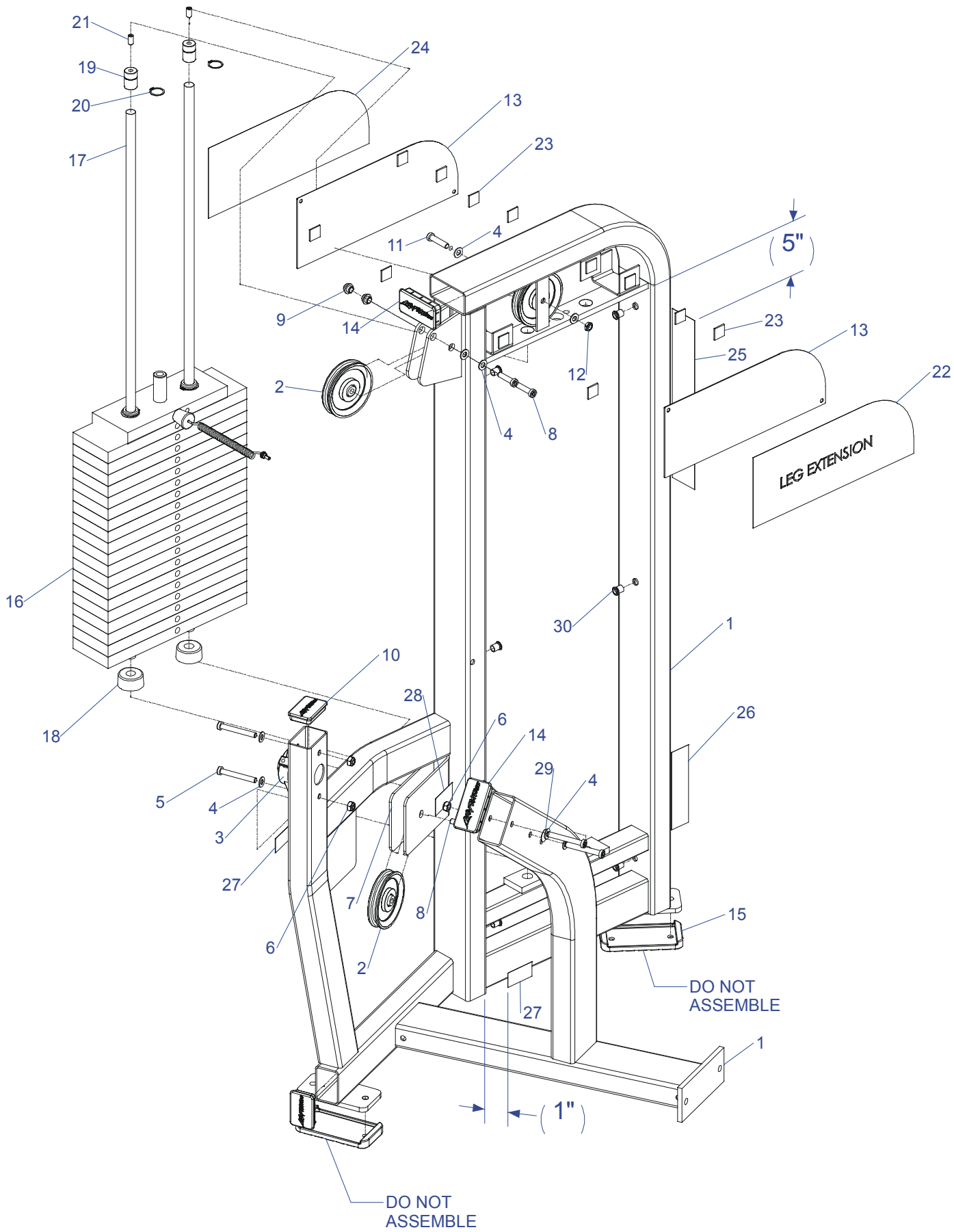
Contents

	PAGE
COMPONENT ASSEMBLY.....	4
OPTIONAL ARM MOVEMENT ASSEMBLY.....	5
SEAT FRAME ASSEMBLY.....	6
WORK ARM ASSEMBLY	7
PS-ST6 ASSEMBLY	8
INCREMENT WEIGHT W/STRIKER ASSEMBY	9
WEIGHT STACK 300LB	10
SHROUD KIT STD-MED	11

PSLESE LEG EXTENSION COMPONENT ASSEMBLY



ITEM NO.	QTY.	PART NO.	DESCRIPTION
1	1	7373101	ASSY, PSLE, SEAT-FRAME
2	4	3236601	WASHER, 3/8 SAE SS
3	8	3236212	SCREW, M10 X1.5 75MM
4	4	3236801	NUT, M10 HEX NYLOCK SS
5	1	7371601	SIDE-FRAME ASSY
6	8	3236600	WASHER, 3/8 SAE SS
7	1	7399201	PAD, SEAT 21 X 20-1/16
8	1	7423701	CABLE, PSBC
9	1	3236902	NUT, M16 X 2 HEX JAM SS

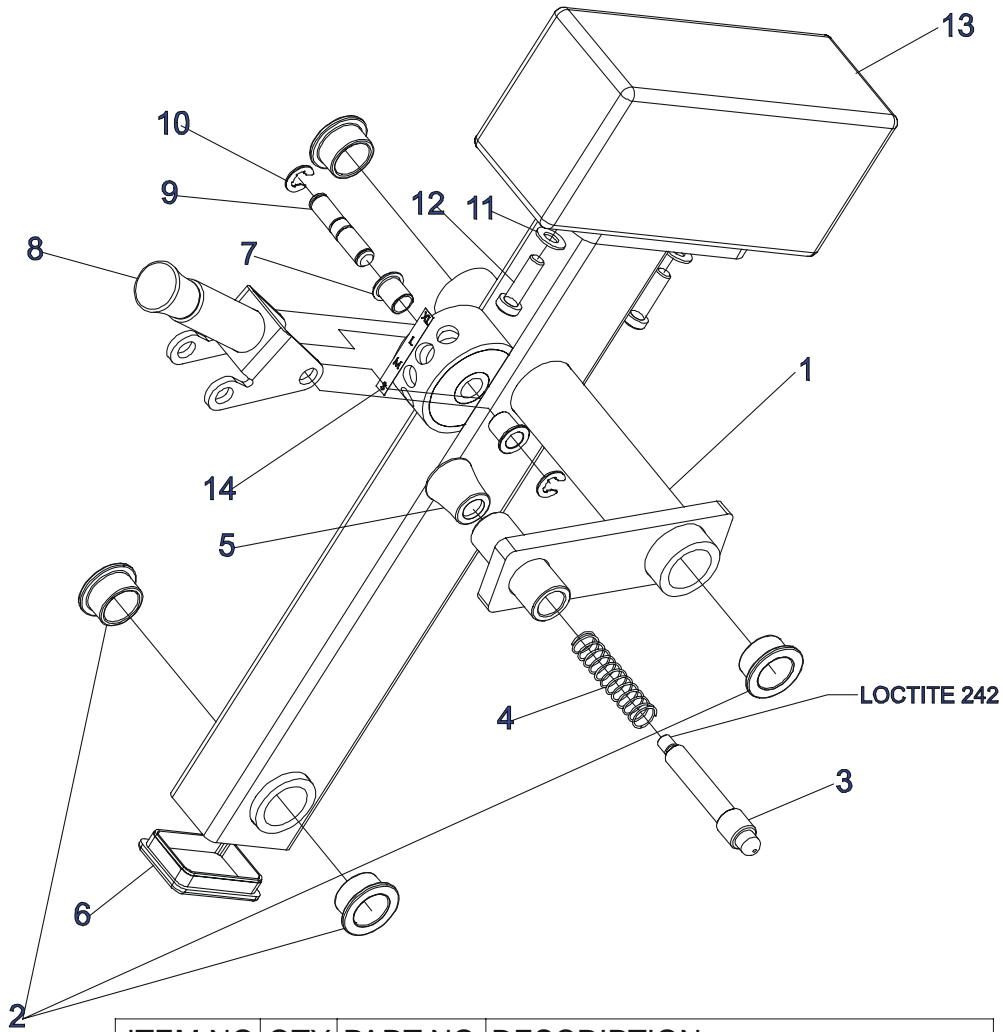


ITEM NO.QTY.PART NO.DESCRPTION

ITEM NO.	QTY.	PART NO.	DESCRIPTION
1	1	7371701	WELDMENT, PSLE SIDE-FRAME
2	3	3237801	PULLEY, 4.5" OD
3	2	3237701	ASSY, PILLOW BLOCK 4.88 X 2.75
4	8	3236601	WASHER, 3/8 SAE SS
5	4	3236212	SCREW, M10 X1.5 75MM
6	4	3236801	NUT, M10 HEX NYLOCK SS
7	1	7348101	WASHER, SPACER
8	3	3236205	SCREW, M10 X1.5 40MM
9	3	7335401	NUT, M10 X 1.5 SOCKET HEAD
10	2	7352301	CAP, END 2 X 3
11	1	3236206	SCREW, M10 X1.5 45MM
12	1	3236901	NUT, M10 X 1.5 JAM
13	2	7606602	COVER, STACK-PRO2 STD
14	2	7352401	CAP, END 2 X 4
15	2	7388201	Footpad, PS Rubber
16	1	7353501	ASSY, 300LB STACK
17	2	7328601	GUIDE ROD, .75 OD SOLID 48.38
18	2	7352101	CUSHION, WEIGHT STACK
19	2	7402301	RETAINER, GUIDEROD
20	2	3232421	RING, BRE .940, 5100-100 ST PP B
21	2	3240501	M10 X 1.5 HXS NO CUP ST BO
22	1	7443401	LABEL, PSLE PLACARD
23	12	7544201	PAD, DUAL LOCK 250, 1" X 1"
24	1	7491401	LABEL, PSLE LOGO PANEL
25	1	7348001	LABEL, LIFE FITNESS LOGO
26	1	7422004	LABEL, 2" ASTM WARN
27	2	7422007	LABEL, SERIAL NO
28	1	7422003	LABEL, MOVING PARTS
29	1	7488701	LABEL, AXIS OF ROTATION
30	6	3238101	NUT, BLIND INSERT M10 X 1.5

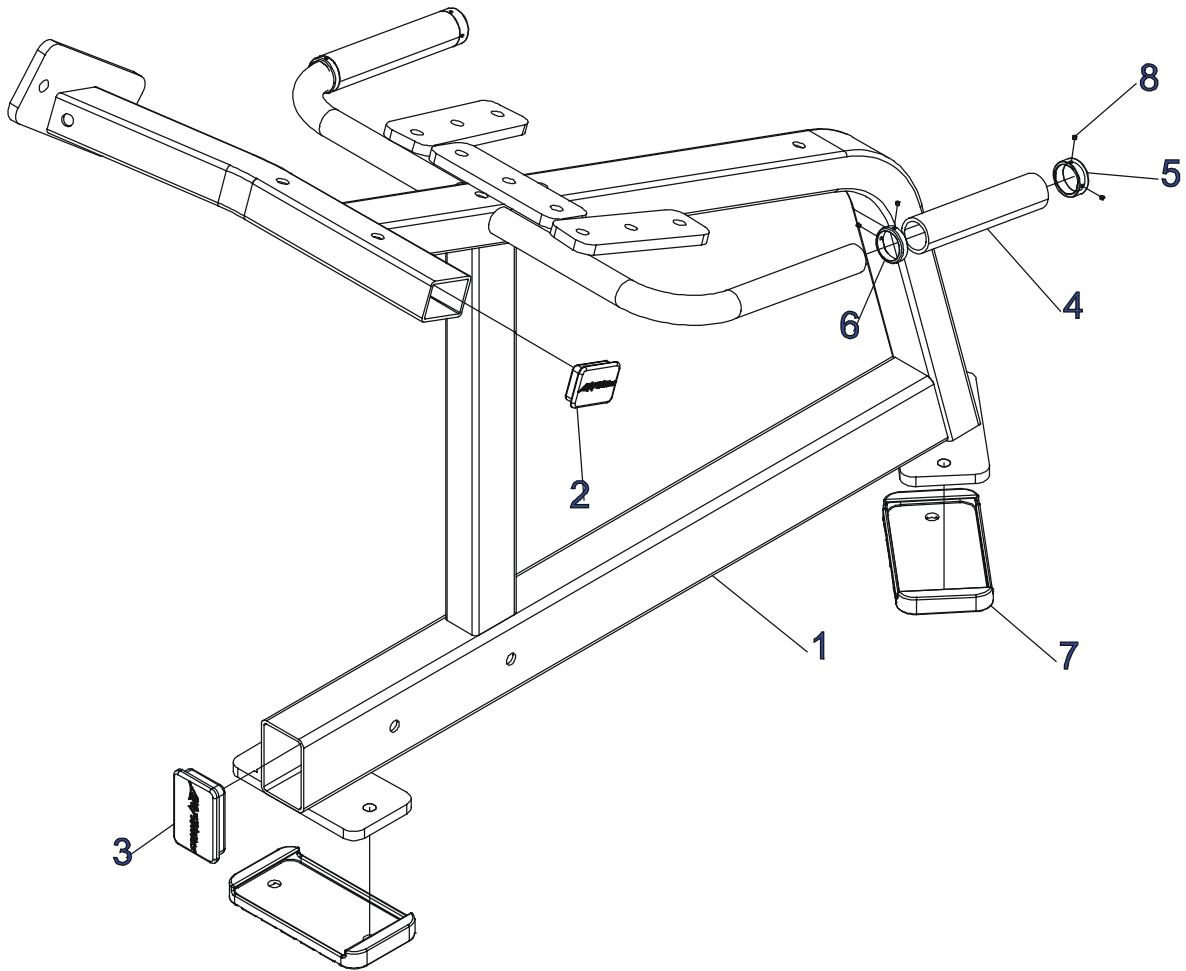
PSLESE LEG EXTENSION

OPTIONAL ARM MOVEMENT ASSEMBLY



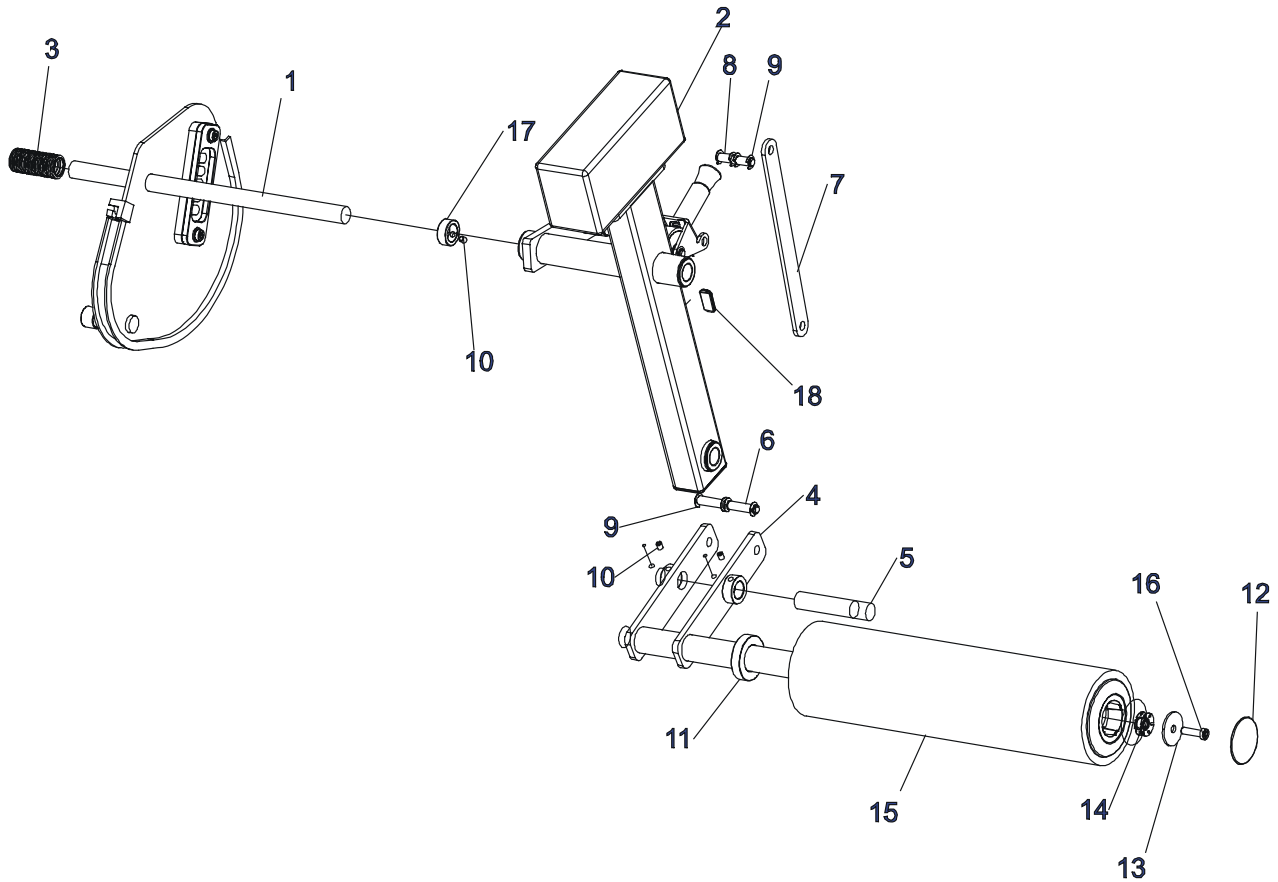
ITEM NO.	QTY.	PART NO.	DESCRIPTION
1	1	7375401	Weldment, PSLE-Optional MA
2	4	3104903	1.00" ID 1.25" OD BRONZ BUSHING
3	1	7351301	PIN, PULL
4	1	7351501	SPRING; PULL PIN LARGE
5	1	7351401	KNOB, TULIP STYLE
6	1	7352301	CAP, END 2 X 3
7	2	6020601	BEARING, FLG 1/2 ID X 5/8 OD
8	1	7379801	ASSY, PS - 4-BAR SHIFTER
9	1	7380201	PIN, PS - 4-BAR
10	2	3221705	E-RING, 3/8
11	2	3236601	WASHER, 3/8 SAE SS
12	2	3236204	SCREW, M10 X1.5 35MM
13	1	7365801	WEIGHT, COUNTER LG
14	1	7422006	LABEL, XL - SMALL

PSLESE LEG EXTENSION SEAT FRAME ASSEMBLY



ITEM NO.	QTY.	PART NO.	DESCRIPTION
1	1	7373201	WELDMENT, PSLE SEAT-FRAME
2	1	7352201	CAP, END 1-1/2 X 2
3	1	7352301	CAP, END 2 X 3
4	2	3235801	GRIP, SHADOW GREY OPEN END
5	2	7306901	CAP, GRIP 1.25 OD
6	2	7315601	RING, GRIP 1.25 OD
7	2	7388201	Footpad, PS Rubber
8	8	3237201	M3 X .5 HXS NO CUP ST BO

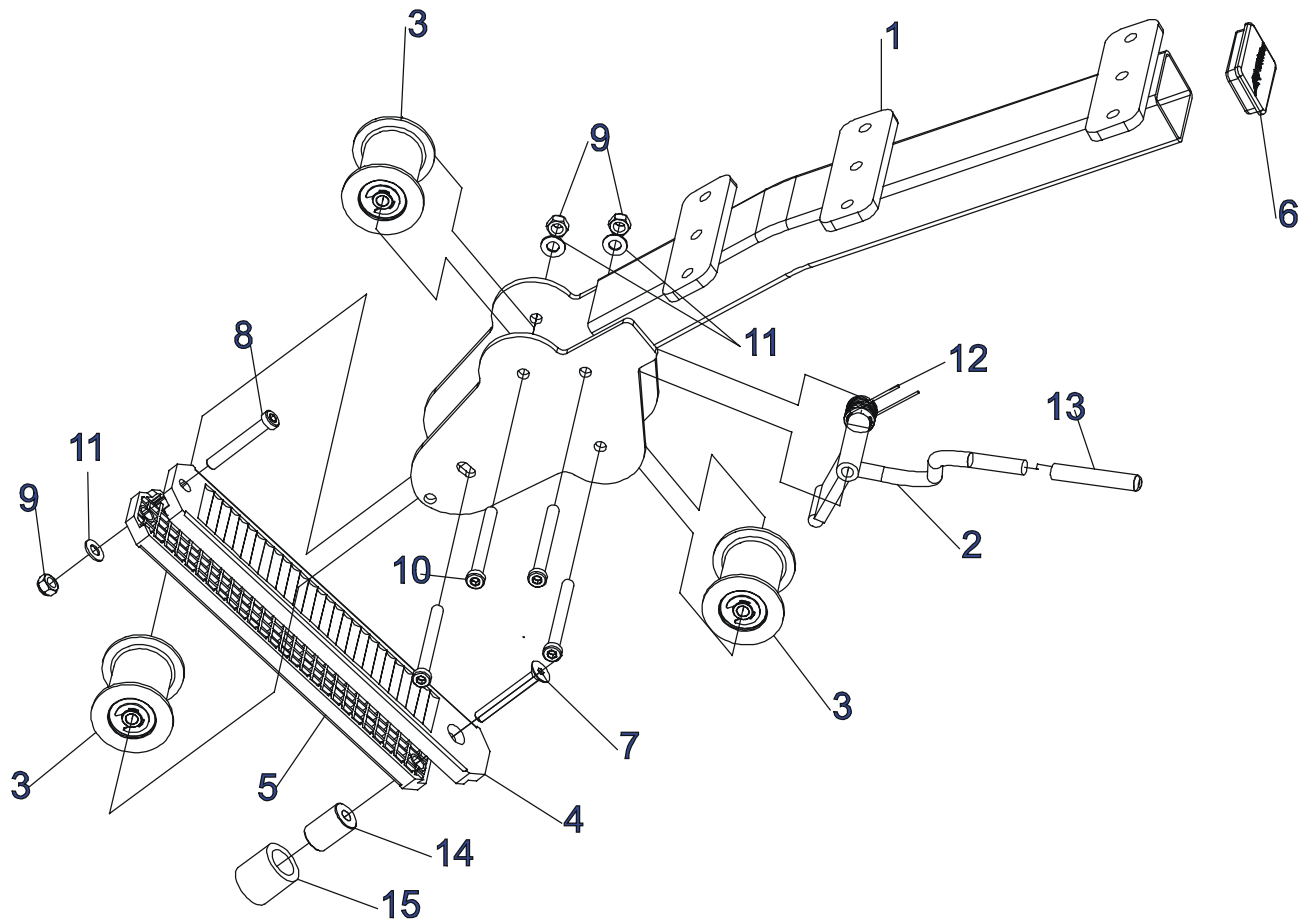
PSLESE LEG EXTENSION WORK ARM ASSEMBLY



ITEM NO.	QTY.	PART NO.	DESCRIPTION
1	1	7375101	ASSY, PSLE-CAM OPTION
2	1	7375301	ASSY, PSLE-OPTIONAL MA
3	1	6912806	SLEEVE, ACCRDN 1.0 ID
4	1	7375895	WELDMENT, PSLE-OPTIONAL MA
5	1	7358201	SHIFTER, 1 DIA STAINLESS X 4-7/8
6	1	7380202	PIN, PS - 4-BAR
7	1	7380195	Link, PS - 4-Bar Assy
8	1	7380201	PIN, PS - 4-BAR
9	8	3221705	E-RING, 3/8
10	3	3242902	SCREW, SET BO
11	1	7357901	SHAFT COLLAR, 1-1/2" ID ALUM
12	1	7308701	CAP, BEARING HOUSING
13	1	7322301	PLATE, 1.97 OD X .44 ID 10GA
14	1	7347301	NUT, SPIDER M10 X 1.5
15	1	7392801	ASSY, ROLLER PAD - LONG
16	1	3236204	SCREW, M10 X1.5 35MM
17	1	7435301	1" ID SHAFT COLLAR BORED .020
18	1	7570801	Guard, Paint 1.25"x.75"x.25"

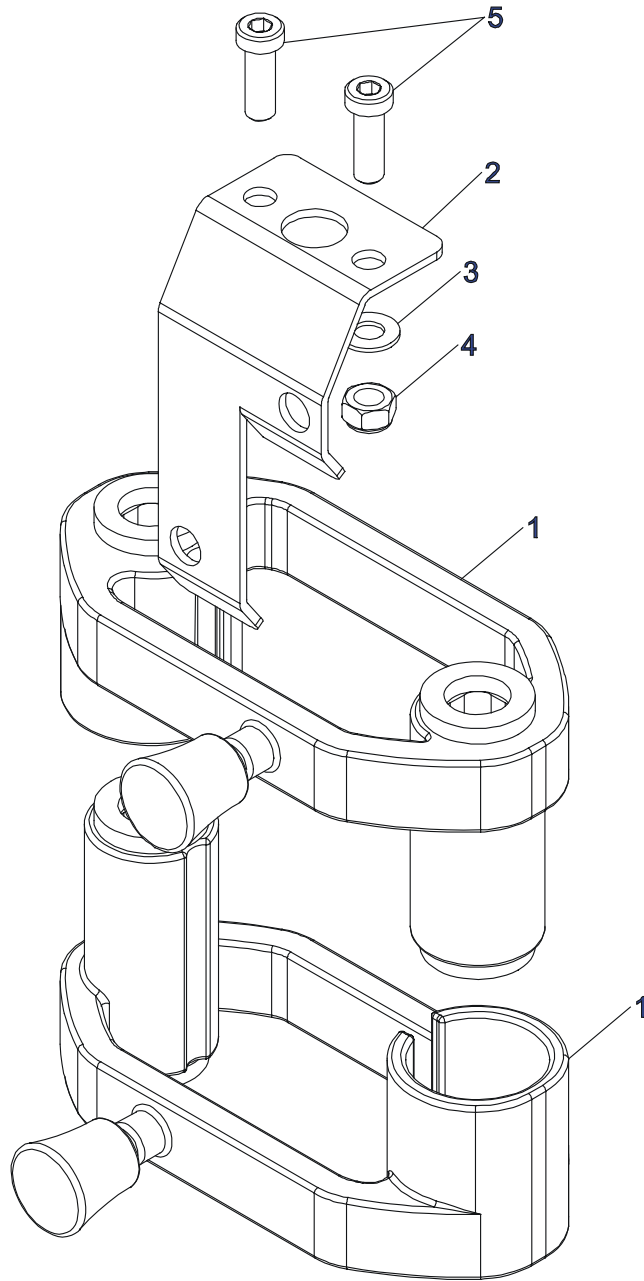
PSLESE LEG EXTENSION

PS-ST6 ASSEMBLY



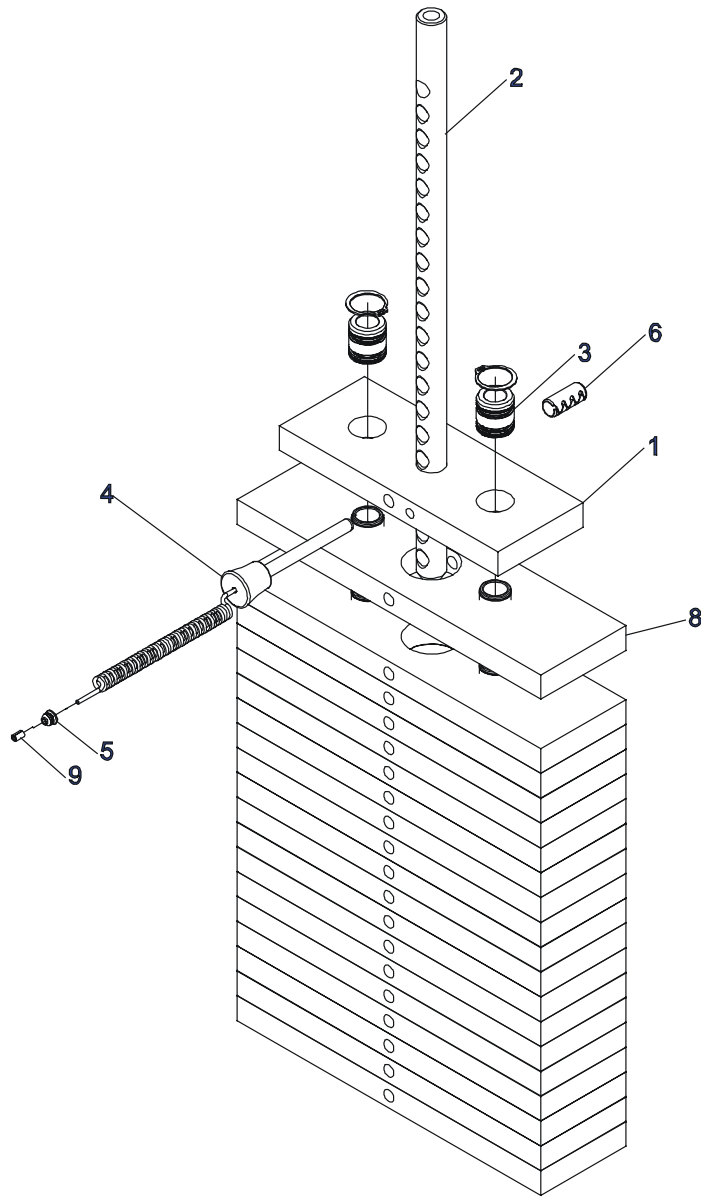
ITEM NO.	QTY.	PART NO.	DESCRIPTION
1	1	7387301	WELDMENT, PS-ST6
2	1	7387595	Weldmnt, PS-Roller Seat Handle
3	3	7564201	ASSY, SEAT ROLLER
4	1	7564301	SEATRACK, ROLLER SERRATED
5	1	7564401	SEATRACK, FLAT
6	1	7352301	CAP, END 2 X 3
7	1	3238312	M10x1.5x75mm
8	1	3236211	SCREW, M10 X1.5 70MM
9	5	3236801	NUT, M10 HEX NYLOCK SS
10	4	3236217	SCREW, M10 X1.5 100MM
11	5	3236601	WASHER, 3/8 SAE SS
12	1	7442701	SPRNG, PRO2 HANDLE TORSION
13	1	3238502	CAP, 1/2 X 5/8
14	1	7570601	STOP, ROLLER SEAT
15	1	3235802	GRIP, SHADOW GRAY, 1.5"

**PSLESE LEG EXTENSION
INCREMENT WT W/STRIKER ASSY**



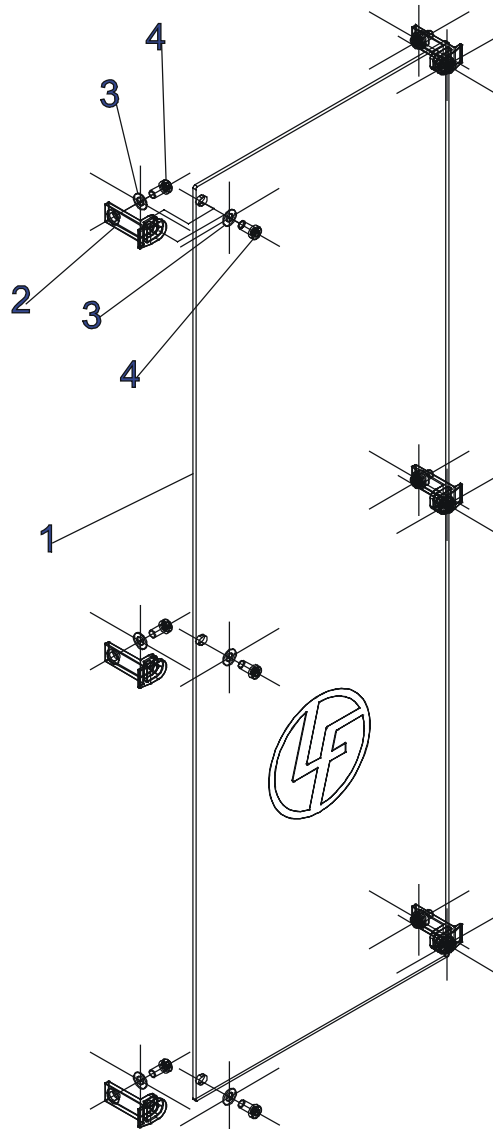
ITEM NO.	QTY.	PART NO.	DESCRIPTION
1	2	7446501	ASSY, 5LB INCREMENT WEIGHT
2	1	7447101	PLATE, INCR. WT STRIKER
3	2	3236601	WASHER, 3/8 SAE SS
4	2	3236801	NUT, M10 HEX NYLOCK SS
5	2	3236203	SCREW, M10 X1.5 30MM

PSLESE LEG EXTENSION WEIGHT STACK ASSY 300LB



ITEM NO	QTY.	PART NO.	DESCRIPTION
1	1	7353901	HEADPLATE, WT. STACK
2	1	7356600	STEM, PRO2 19 HOLE
3	2	7338001	BUSHING, HEADPLATE
4	1	7353001	ASSY, SELECTOR PIN
5	1	7356501	PLUG, LANYARD ATTACHMENT
6	1	3236001	BUSHING, SPRING PIN
8	19	7353801	ASSY, 15 LB PLATE
9	1	7523601	CRIMP, CABLE

PSLESE LEG EXTENSION SHROUD KIT STD-MED



ITEM NO.	QTY.	PART NO.	DESCRIPTION
1	1	7376802	SHIELD, PS REAR
2	6	7655301	BRACKET, PS REAR
3	12	3236601	SHIELD
4	12	3236201	SCREW, M10 X1.5 20MM