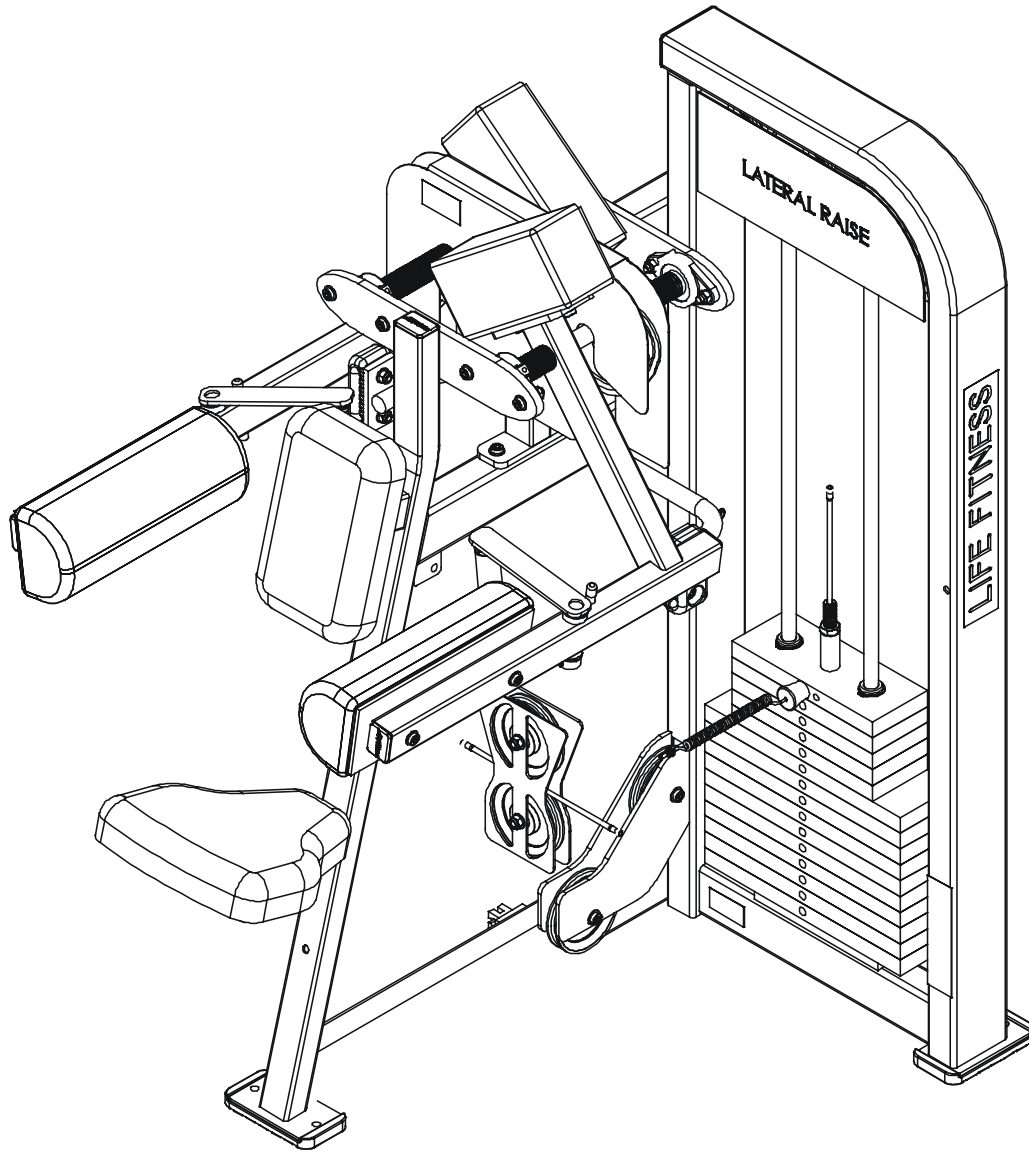


Life Fitness

PRO SERIES II PSLRSE LATERAL RAISE



Customer Support Services ***PARTS MANUAL***

PSLRSE LATERAL RAISE

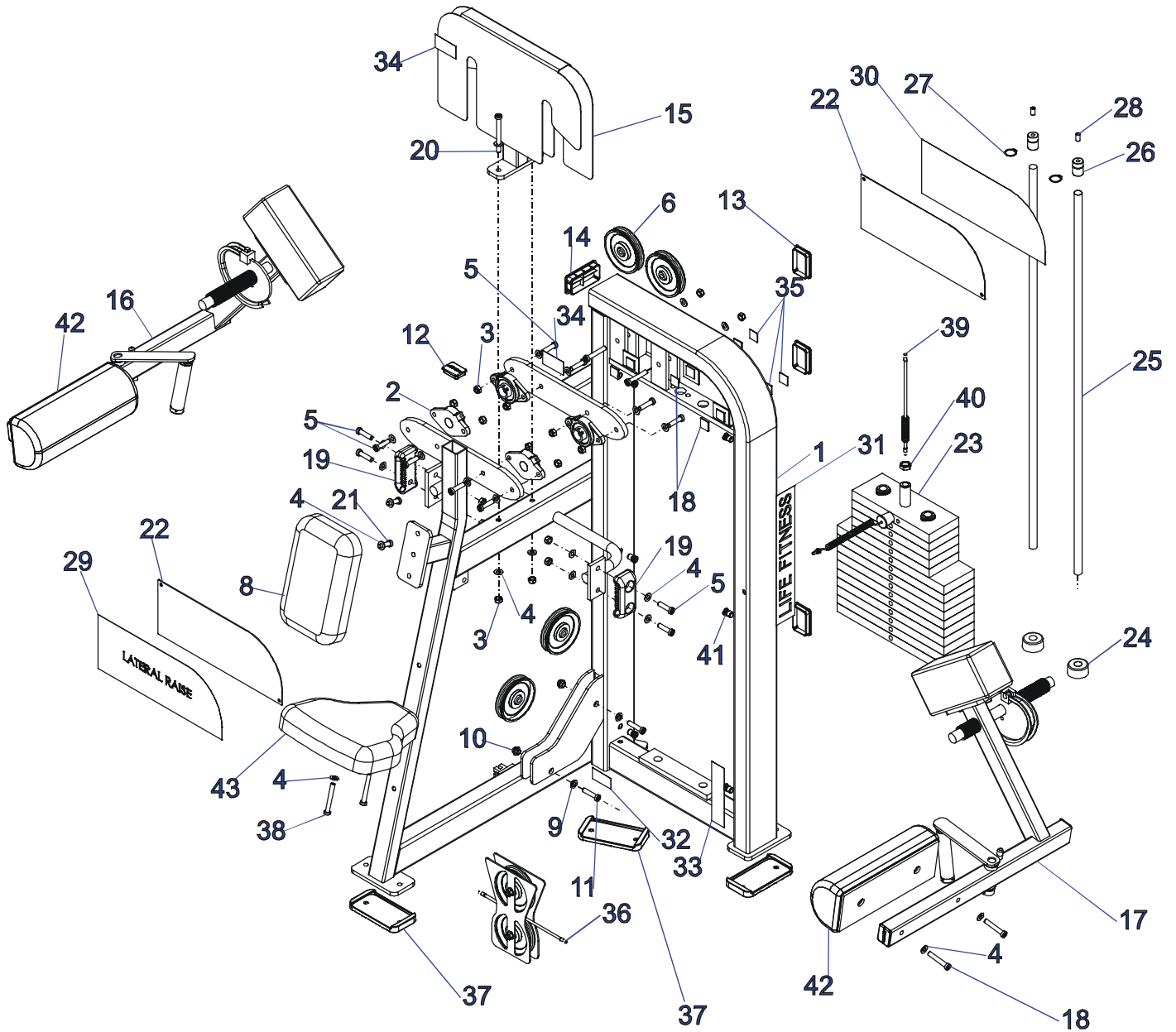
Notes:

PSLRSE LATERAL RAISE

Contents

	PAGE
COMPONENT ASSEMBLY.....	4
COMPONENT ASSEMBLY CALLOUTS.....	5
WORKARM ASSEMBLY - LEFT	6
WORKARM ASSEMBLY - RIGHT	7
FLOAT PULLEY ASSEMBLY	8
90 DEGREE ROLLER SEAT	9
INCREMENT WEIGHT W/STRIKER	10
WEIGHT STACK 200LB	11
SHROUD KIT STD-SHORT	12

PSLRSE LATERAL RAISE COMPONENT ASSEMBLY

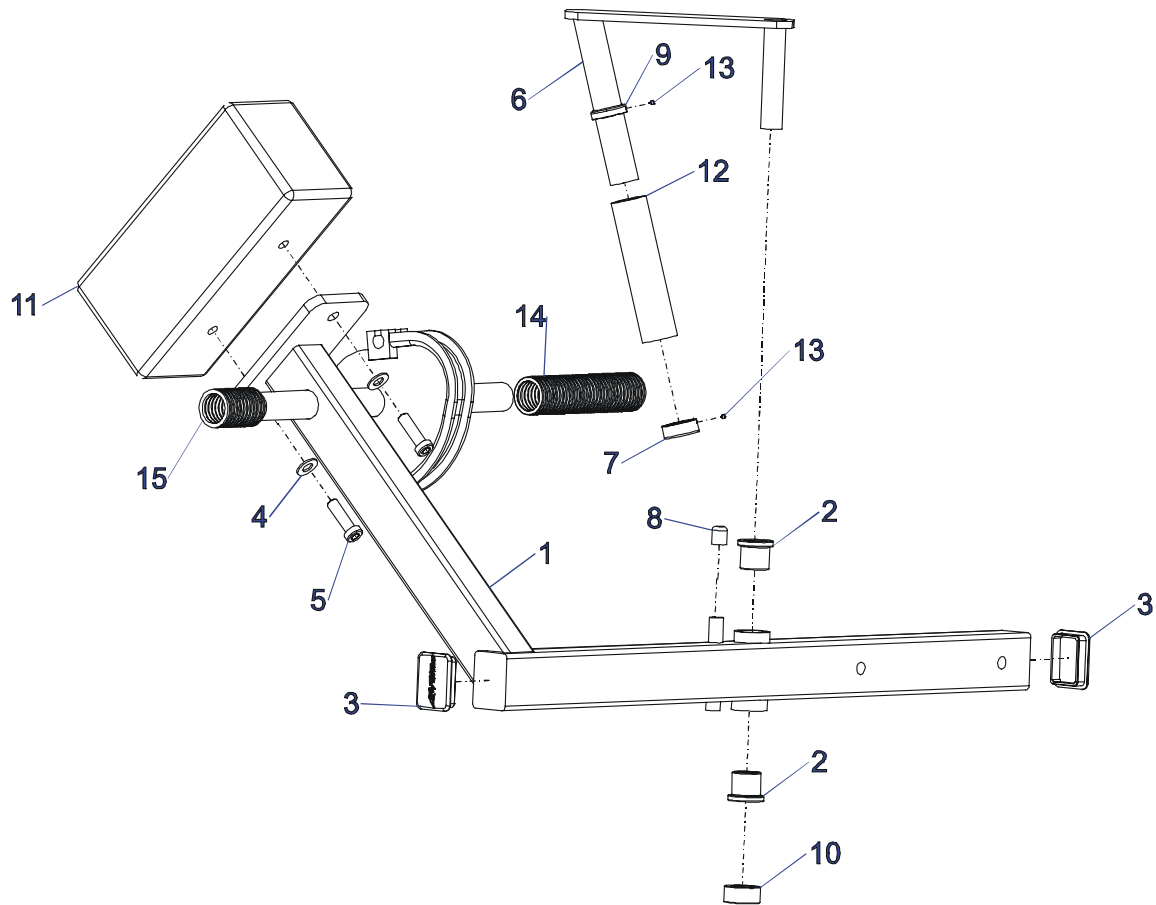


PSLRSE LATERAL RAISE

COMPONENT ASSY CALLOUTS

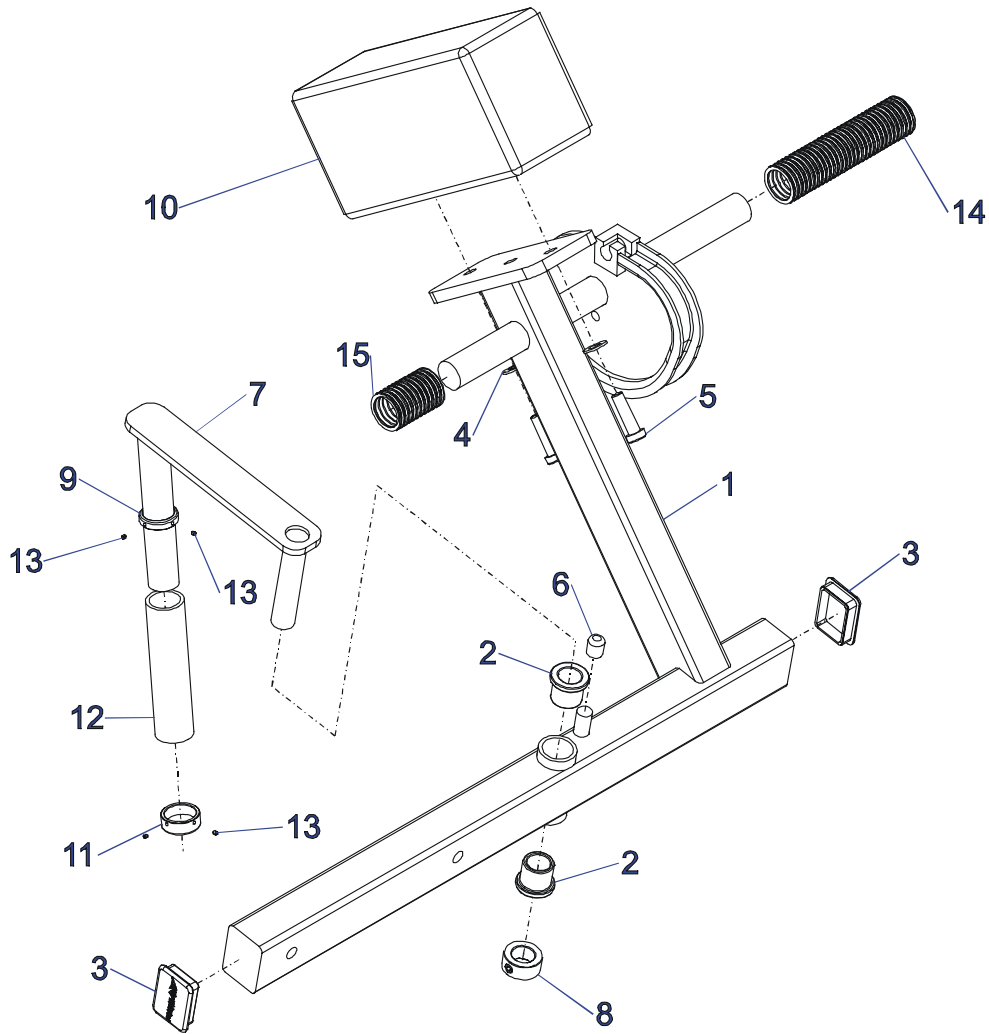
ITEM NO.	QTY.	PART NO.	DESCRIPTION
1	1	7388701	WLDMT, PSLR MAIN
2	4	3237701	ASSY, PILLOW BLOCK 4.88 X 2.75
3	16	3236801	NUT, M10 HEX NYLOCK SS
4	30	3236601	WASHER, 3/8 SAE SS
5	12	3236205	SCREW, M10 X1.5 40MM
6	4	3237801	PULLEY, 4.5" OD
7	1	7390101	ASSY, PSLR FLOAT PULLEY
8	1	7399300	PAD. 7 X 11-1/4
9	2	7348101	WASHER, SPACER
10	2	7335401	NUT, M10 X 1.5 SOCKET HEAD
11	2	3236206	SCREW, M10 X1.5 45MM
12	1	7352201	CAP, END 1-1/2 X 2
13	3	7352301	CAP, END 2 X 3
14	1	7352401	CAP, END 2 X 4
15	1	7390301	WLDMT, PSLR SHROUD
16	1	7390601	ASSY, PSLR L WORKARM
17	1	7390801	ASSY, PSLR R WORKARM
18	6	3236209	SCREW, M10 X1.5 60MM
19	2	7352001	BUMPER, 2-1/8 X 4-5/8
20	2	3236217	SCREW, M10 X1.5 100MM
21	2	3236204	SCREW, M10 X1.5 35MM
22	2	7353201	COVER, STACK STD
23	1	7353401	ASSY, 200LB STACK
24	2	7352101	CUSHION, WEIGHT STACK
25	2	7328604	GUIDE ROD, .75 OD SOLID 43.88
26	2	7402301	RETAINER, GUIDEROD
27	2	3232421	RING, BRE .940, 5100-100 ST PP B
28	2	3240501	M10 X 1.5 HXS NO CUP ST BO
29	1	7444101	LABEL, PSLR PLACARD
30	1	7491001	LABEL, PRO2 LOGO LEFT
31	1	7348001	LABEL, LIFE FITNESS LOGO
32	1	7422007	LABEL, SERIAL NO
33	1	7422004	LABEL, 2" ASTM WARN
34	2	7422003	LABEL, MOVING PARTS
35	12	7544201	PAD, DUAL LOC 400, 1" X 1"
36	1	7423801	CABLE, PSLR-2
37	3	7388201	Footpad, PS Rubber
38	2	3236212	SCREW, M10 X1.5 75MM
39	1	7423703	CABLE, PSLR
40	1	3236902	NUT, M16 X 2 HEX JAM SS
41	6	3238101	NUT, BLIND INSERT M10 X 1.5
42	2	7392301	PAD, FOREARM
43	1	7351901	PAD, SADDLE

PSLRSE LATERAL RAISE WORKARM ASSEMBLY - LEFT



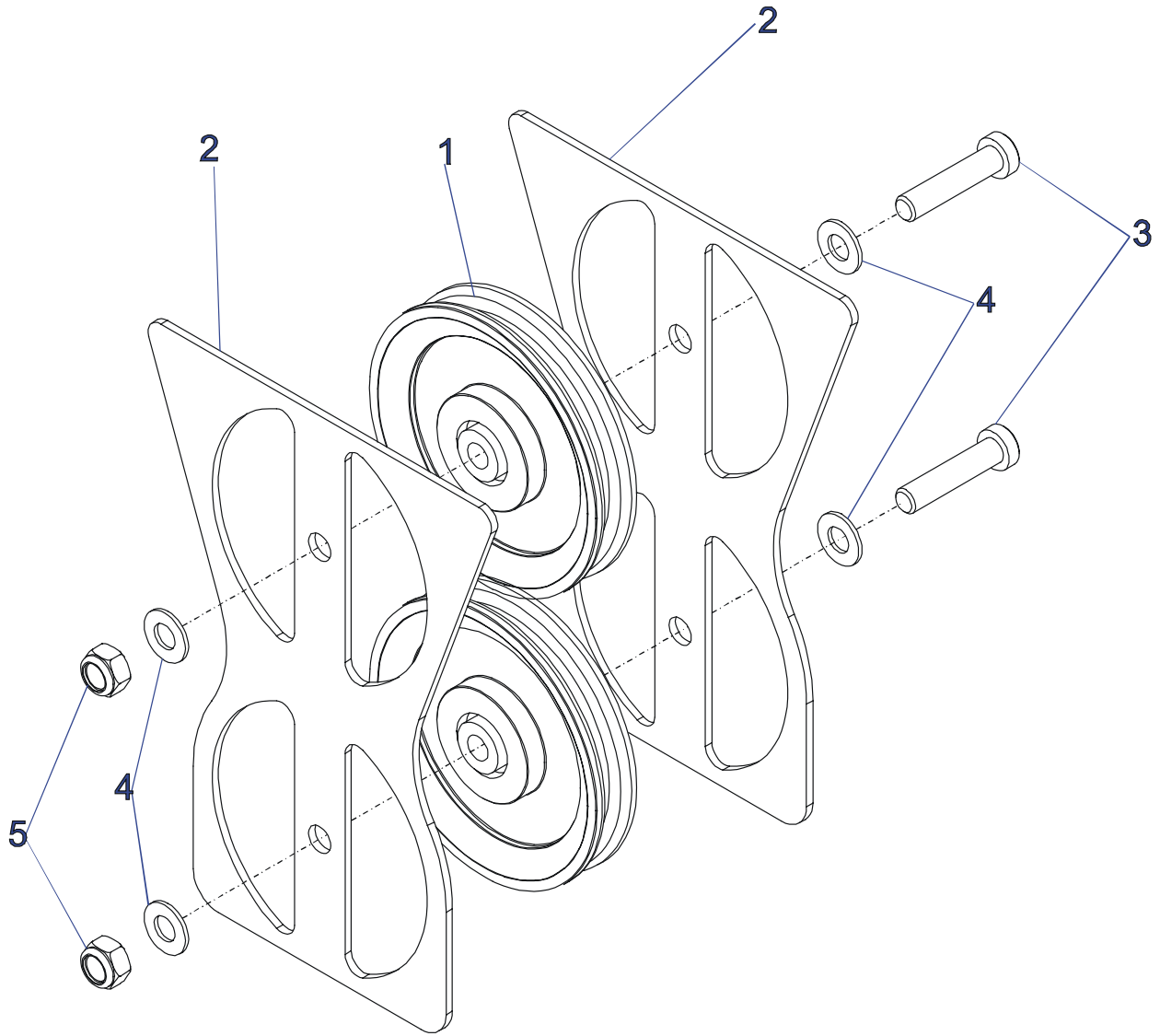
ITEM NO.	QTY.	PART NO.	DESCRIPTION
1	1	7390701	WLDMT, PSLR LEFT WORKARM
2	2	3104905	.75" ID 1.00" OD BRONZE BUSHING
3	2	7352201	CAP, END 1-1/2 X 2
4	2	3236601	WASHER, 3/8 SAE SS
5	2	3236204	SCREW, M10 X1.5 35MM
6	1	7391895	WLDMT, PSLR HANDLE
7	1	7306901	CAP, GRIP 1.25 OD
8	1	3238500	CAP, 1/2 X 5/8
9	1	7315601	RING, GRIP 1.25 OD
10	1	3103301	SHAFT COLLAR, 3/4 I.D. ZINC
11	1	7365801	WEIGHT, COUNTER LG
12	1	3235801	GRIP, 1.25 OD OPEN END
13	4	3237201	M3 X .5 HXS NO CUP ST BO
14	1	6912805	SLEEVE, ACCRDN 1.0 ID
15	1	6912804	SLEEVE, ACCRDN 1.0 ID

PSLRSE LATERAL RAISE WORKARM ASSEMBLY RIGHT



ITEM NO.	QTY.	PART NO.	DESCRIPTION
1	1	7390901	WLDMT, PSLR RIGHT WORKARM
2	2	3104905	.75" ID 1.00" OD BRONZE BUSHING
3	2	7352201	CAP, END 1-1/2 X 2
4	2	3236601	WASHER, 3/8 SAE SS
5	2	3236204	SCREW, M10 X1.5 35MM
6	1	3238500	CAP, 1/2 X 5/8
7	1	7391895	WLDMT, PSLR HANDLE
8	1	3103301	SHAFT COLLAR, 3/4 I.D. ZINC
9	1	7315601	RING, GRIP 1.25 OD
10	1	7365801	WEIGHT, COUNTER LG
11	1	7306901	CAP, GRIP 1.25 OD
12	1	3235801	GRIP, 1.25 OD OPEN END
13	4	3237201	M3 X .5 HXS NO CUP ST BO
14	1	6912805	SLEEVE, ACCRDN 1.0 ID
15	1	6912804	SLEEVE, ACCRDN 1.0 ID

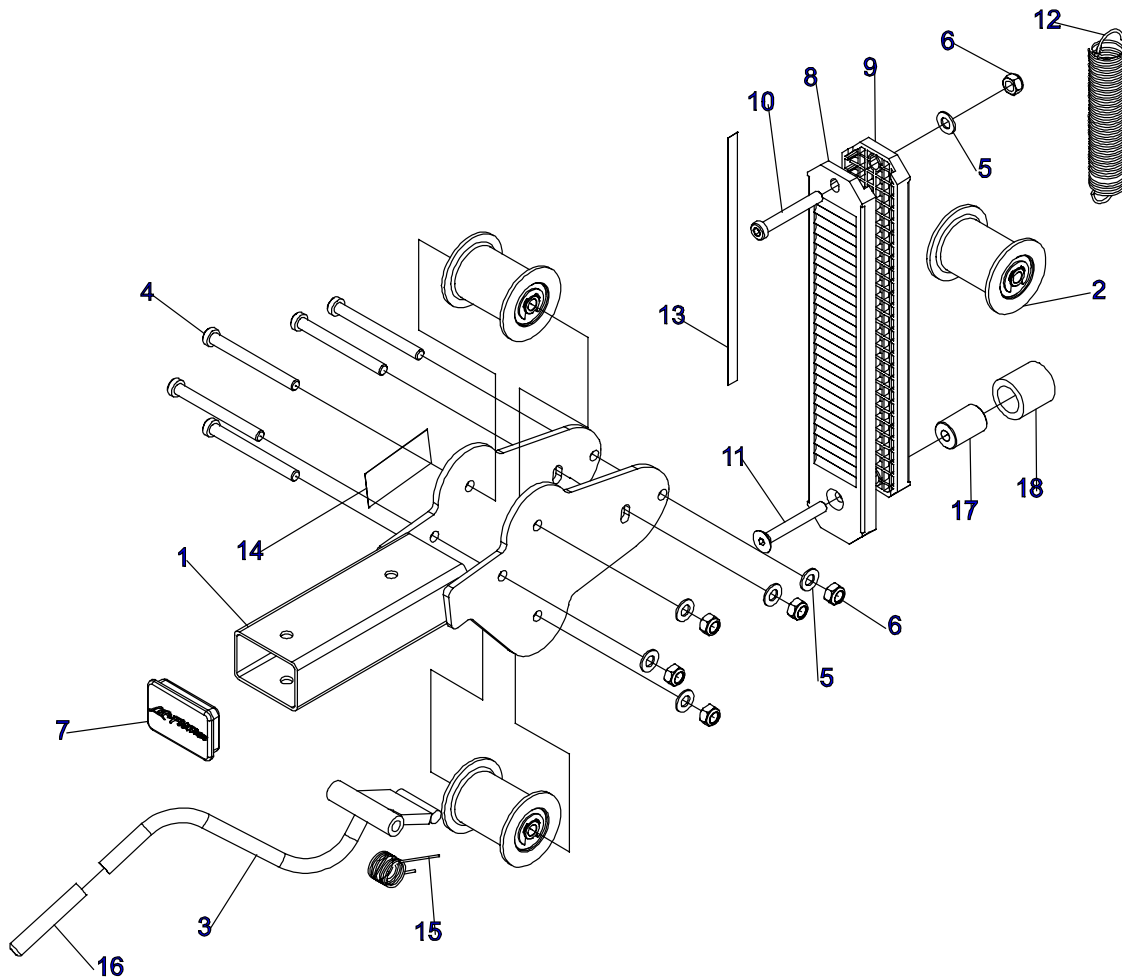
PSLRSE LATERAL RAISE FLOAT PULLEY ASSEMBLY



ITEM NO.	QTY.	PART NO.	DESCRIPTION
1	2	3237801	PULLEY, 4.5" OD
2	2	7390295	BRKT, PSLR FLOAT PULLEY
3	2	3236206	SCREW, M10 X1.5 45MM
4	4	3236601	WASHER, 3/8 SAE SS
5	2	3236801	NUT, M10 HEX NYLOCK SS

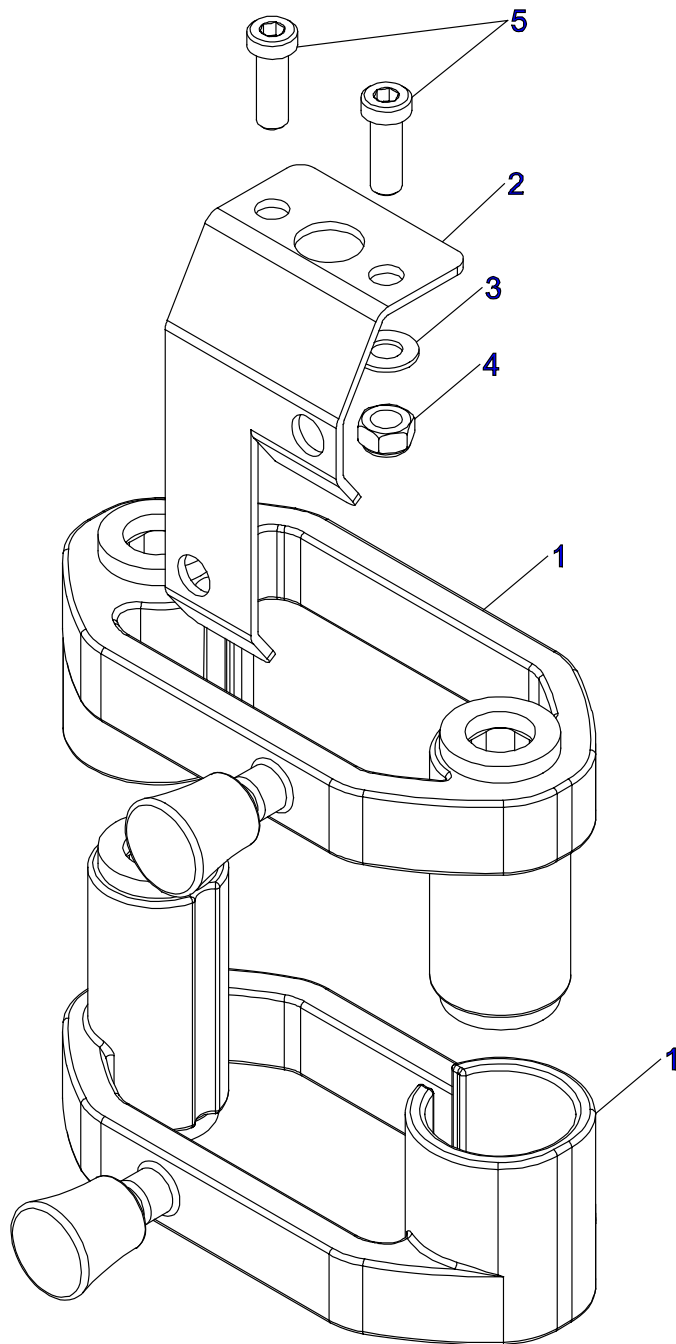
PSLRSE LATERAL RAISE

90 DEGREE ROLLER SEAT



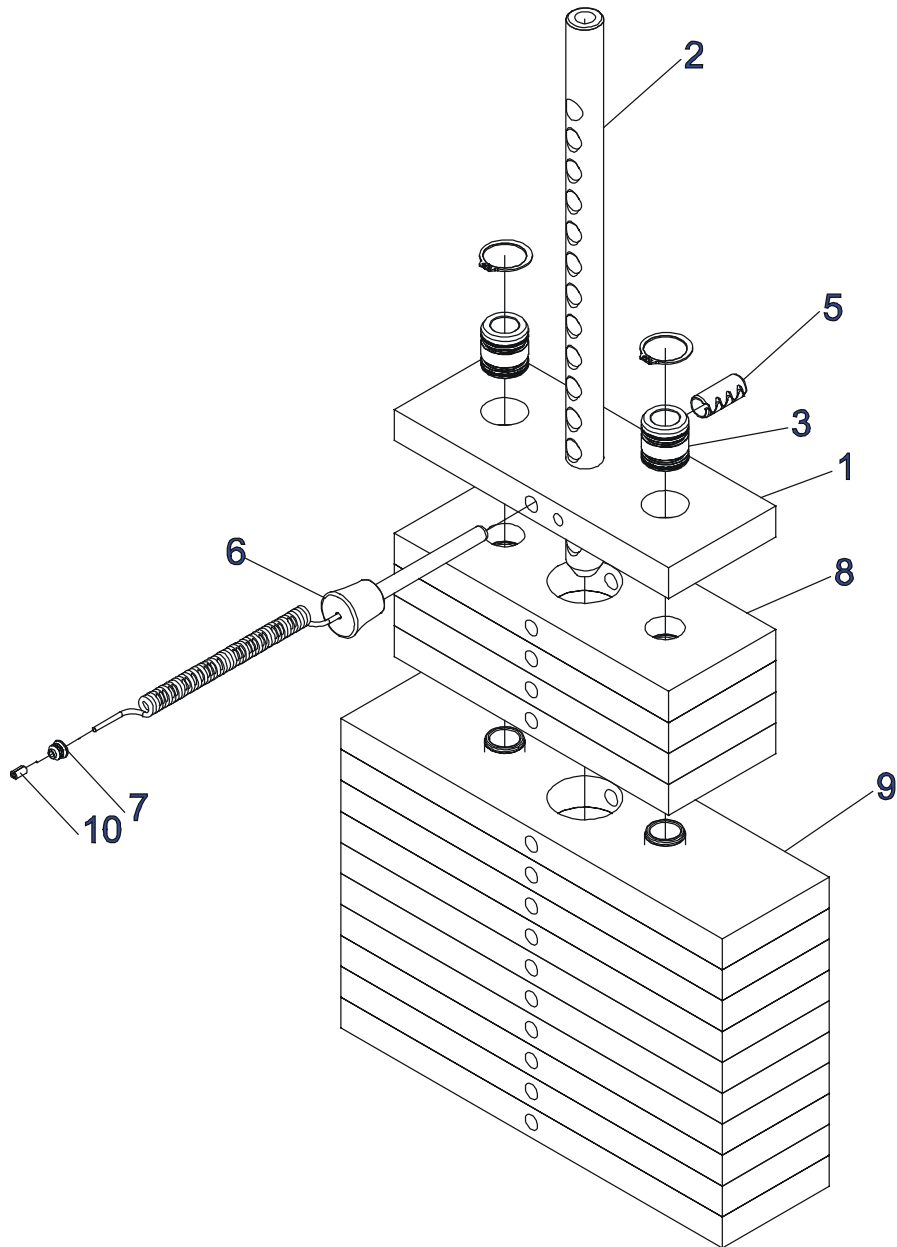
ITEM NO.	QTY.	PART NO.	DESCRIPTION
1	1	7396801	Wldmnt, 90 Deg Roller Seat
2	3	7564201	ASSY, SEAT ROLLER
3	1	7387595	Weldmnt, PS-Roller Seat Handle
4	5	3236217	SCREW, M10 X1.5 100MM
5	6	3236601	WASHER, 3/8 SAE SS
6	6	3236801	NUT, M10 HEX NYLOCK SS
7	1	7352301	CAP, END 2 X 3
8	1	7564301	SEATRACK, ROLLER SERRATED
9	1	7564401	SEATRACK, FLAT
10	1	3236211	SCREW, M10 X1.5 70MM
11	1	3238312	M10x1.5x75mm
12	1	7442601	SPRING, PRO2 ROLLER SEAT
13	1	7422002	LABEL, SEAT ADJUST
14	1	7422001	LABEL, SEAT INST
15	1	7442701	SPRNG, PRO2 HANDLE TORSION
16	1	3238502	CAP, 1/2 X 5/8
17	1	7570601	STOP, ROLLER SEAT
18	1	3235802	GRIP, SHADOW GRAY, 1.5"

PSLRSE LATERAL RAISE INCREMENT WEIGHT W/STRIKER



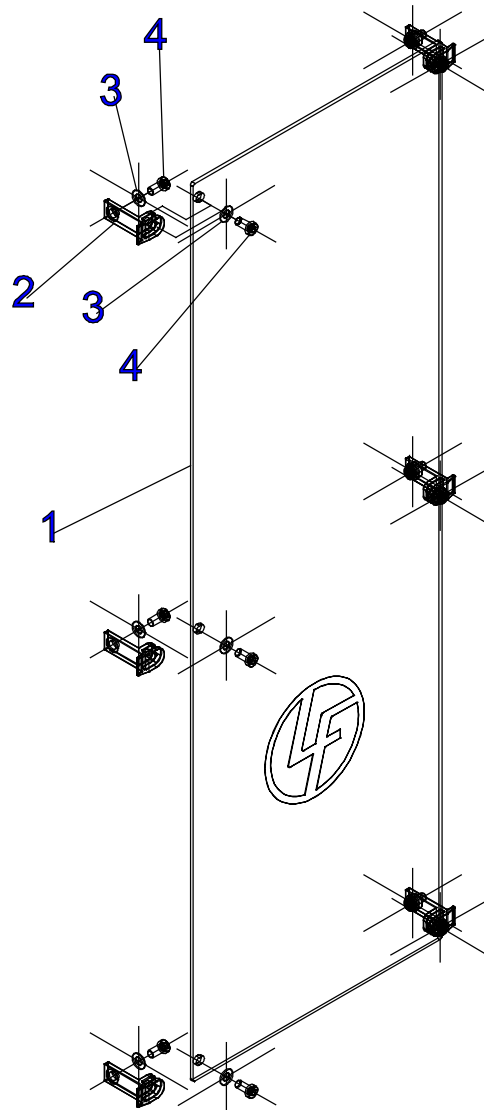
ITEM NO.	QTY.	PART NO.	DESCRIPTION
1	2	7446501	ASSY, 5LB INCREMENT WEIGHT
2	1	7447101	PLATE, INCR. WT STRIKER
3	2	3236601	WASHER, 3/8 SAE SS
4	2	3236801	NUT, M10 HEX NYLOCK SS
5	2	3236203	SCREW, M10 X1.5 30MM

PSLRSE LATERAL RAISE WEIGHT STACK ASSY 200LB



ITEM NO.	QTY.	PART NO.	DESCRIPTION
1	1	7353901	HEADPLATE, WT. STACK
2	1	7352601	BAYONET, 14 PLATE
3	2	7338001	BUSHING, HEADPLATE
5	1	3236001	BUSHING, SPRING PIN
6	1	7353001	ASSY, SELECTOR PIN
7	1	7356501	PLUG, LANYARD ATTACHMENT
8	4	7353701	ASSY, 10 LB PLATE
9	10	7353801	ASSY, 15 LB PLATE
10	1	7523601	CRIMP, CABLE

PSLRSE LATERAL RAISE SHROUD KIT STD-SHORT



ITEM NO.	QTY.	PART NO.	DESCRIPTION
1	1	7376801	SHIELD, PS REAR
2	6	7655301	BRACKET, PS REAR
3	12	3236601	SHIELD
4	12	3236201	SCREW, M10 X1.5 20MM