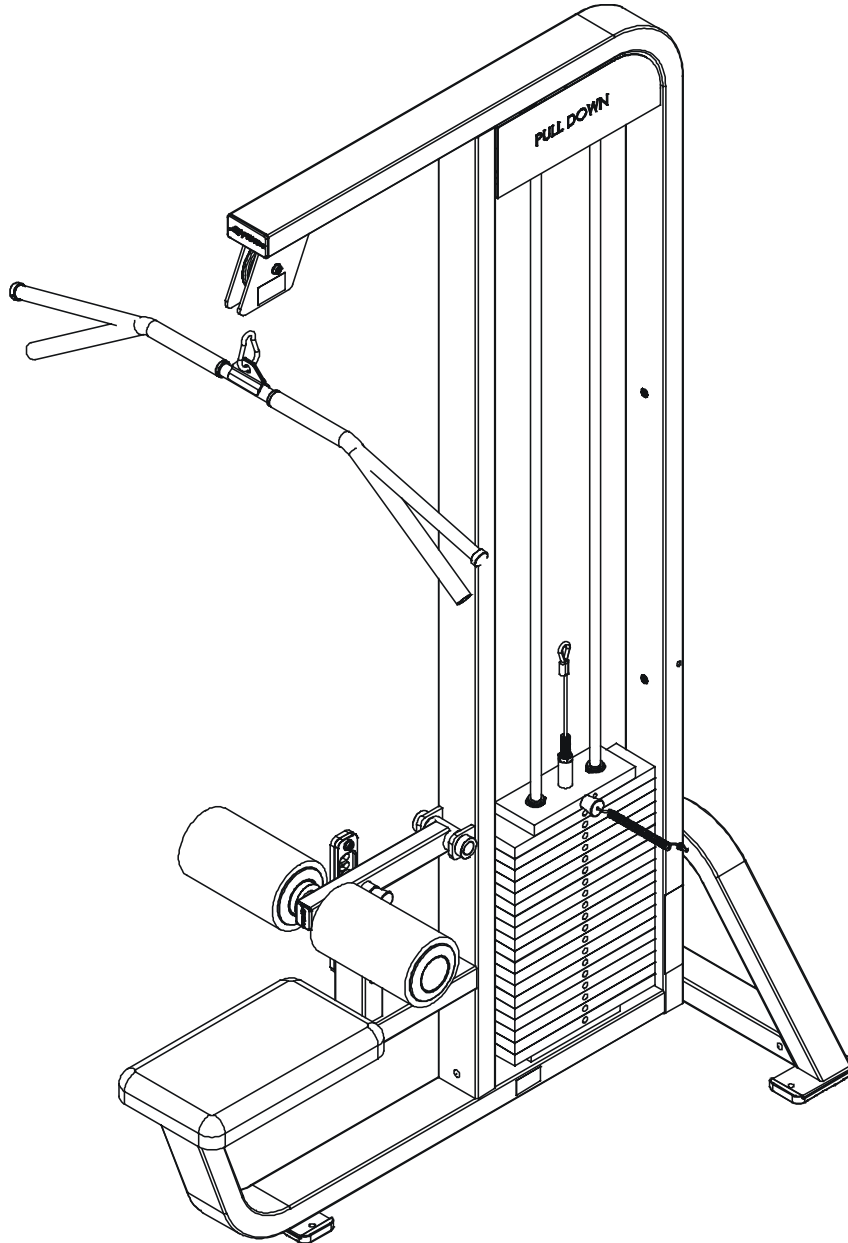


LifeFitness

PRO SERIES II PSPDSE LAT PULLDOWN



Customer Support Services ***PARTS MANUAL***

PSPDSE LAT PULLDOWN

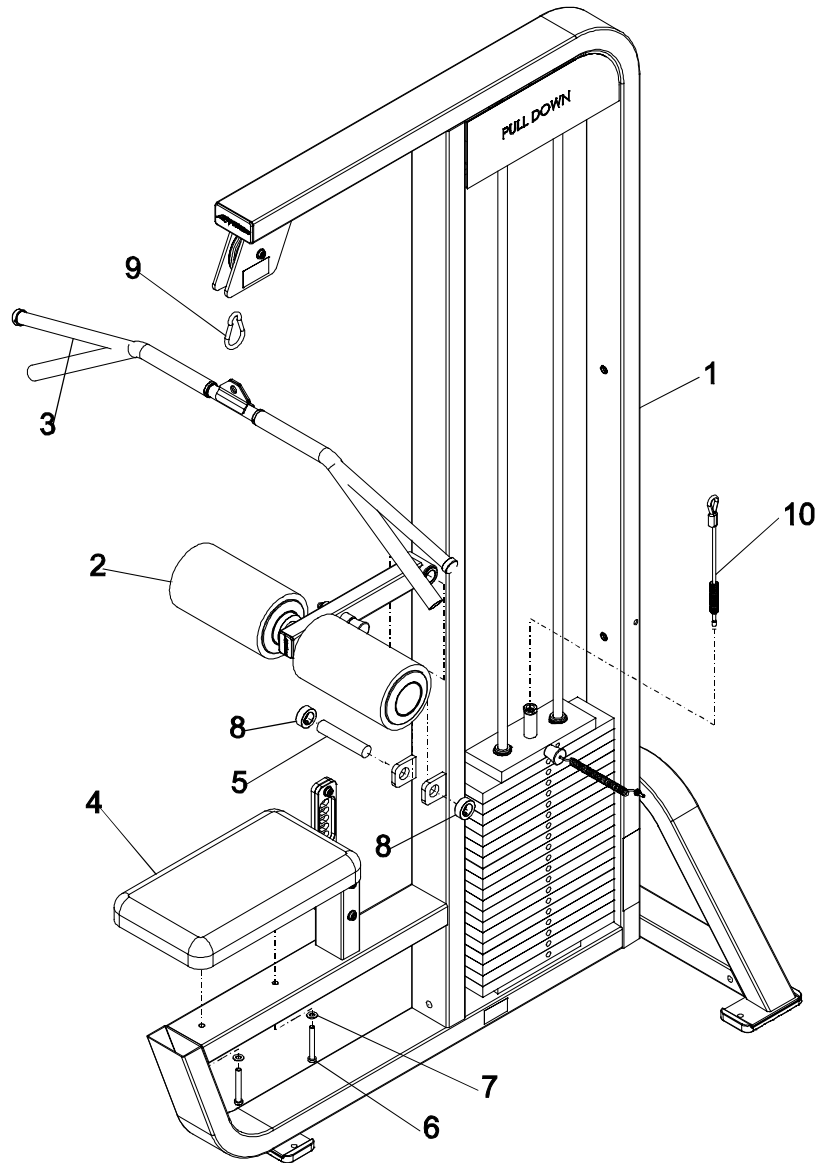
Notes:

PSPDSE LAT PULLDOWN

Contents

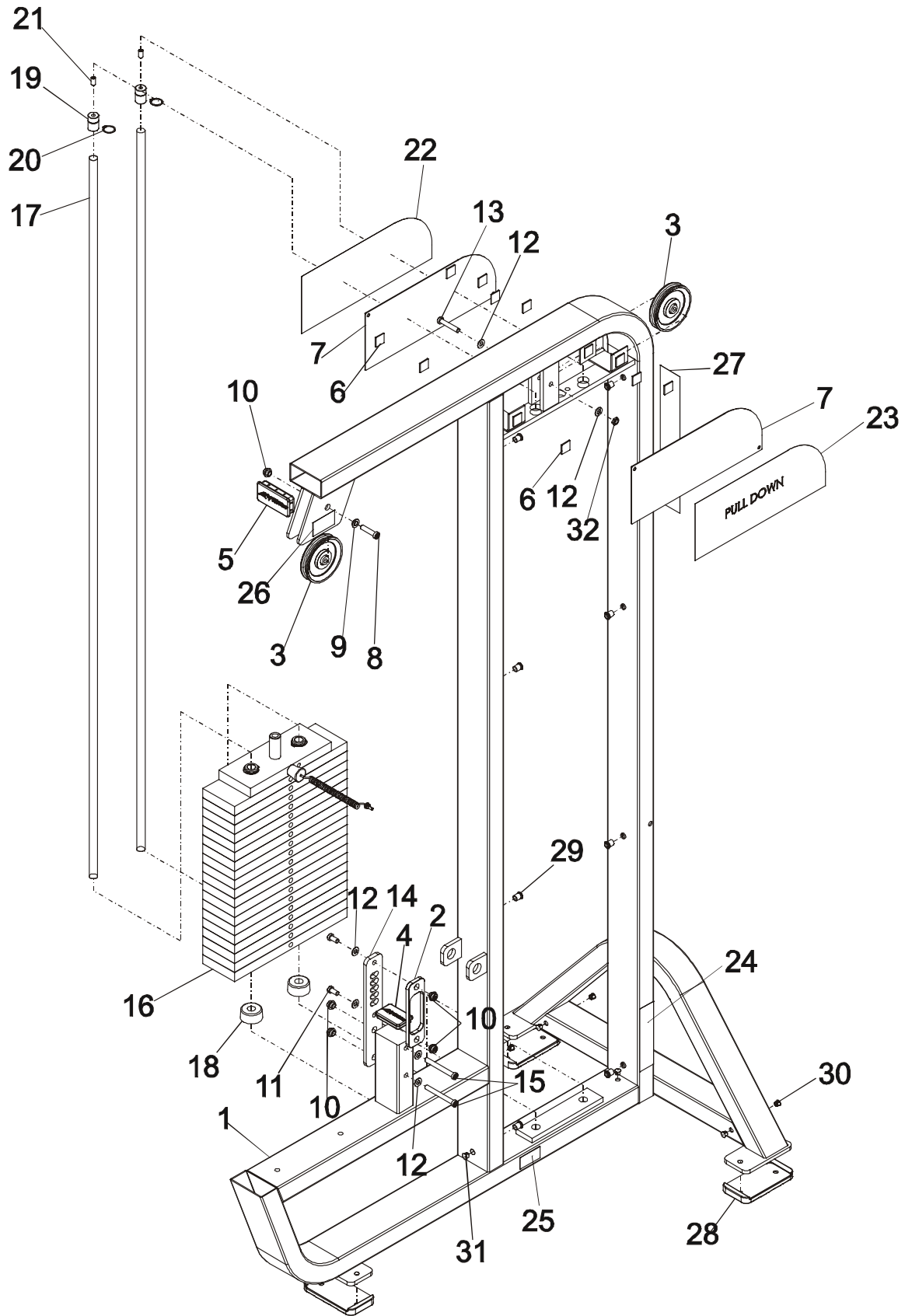
	PAGE
COMPONENT ASSEMBLY.....	4
MAIN FRAME ASSEMBLY.....	5
MAIN FRAME ASSEMBLY CALLOUTS	6
THIGH HOLD DOWN ASSEMBLY	7
LAT BAR ASSEMBLY.....	8
ADD-ON INCREMENT WEIGHT.....	9
SHROUD KIT XL.....	10
WEIGHT STACK 300LB	11

PSPDSE LAT PULLDOWN COMPONENT ASSEMBLY



ITEM NO.	QTY.	PART NO.	DESCRIPTION
1	1	7441901	PTD ASSY, MAIN FRAME
2	1	7442201	PTD ASSY, THIGH HOLD DOWN
3	1	7442301	PTD ASSY, LAT BAR
4	1	7297301	PAD, ASSY 18 X 10
5	1	7358200	SHAFT, 1 DIA STAINLESS
6	2	3236212	SCREW, M10 X1.5 75MM
7	2	3236601	WASHER, 3/8 SAE SS
8	2	3103303	SHAFT COLLAR, 1.0 I.D. ZINC
9	1	3103801	LINK, SNAP 5/16 DIA
10	1	7423901	CABLE, PSPD
11	1	3236902	NUT, M16 X 2 HEX JAM SS

PSPDSE LAT PULLDOWN MAIN FRAME ASSEMBLY

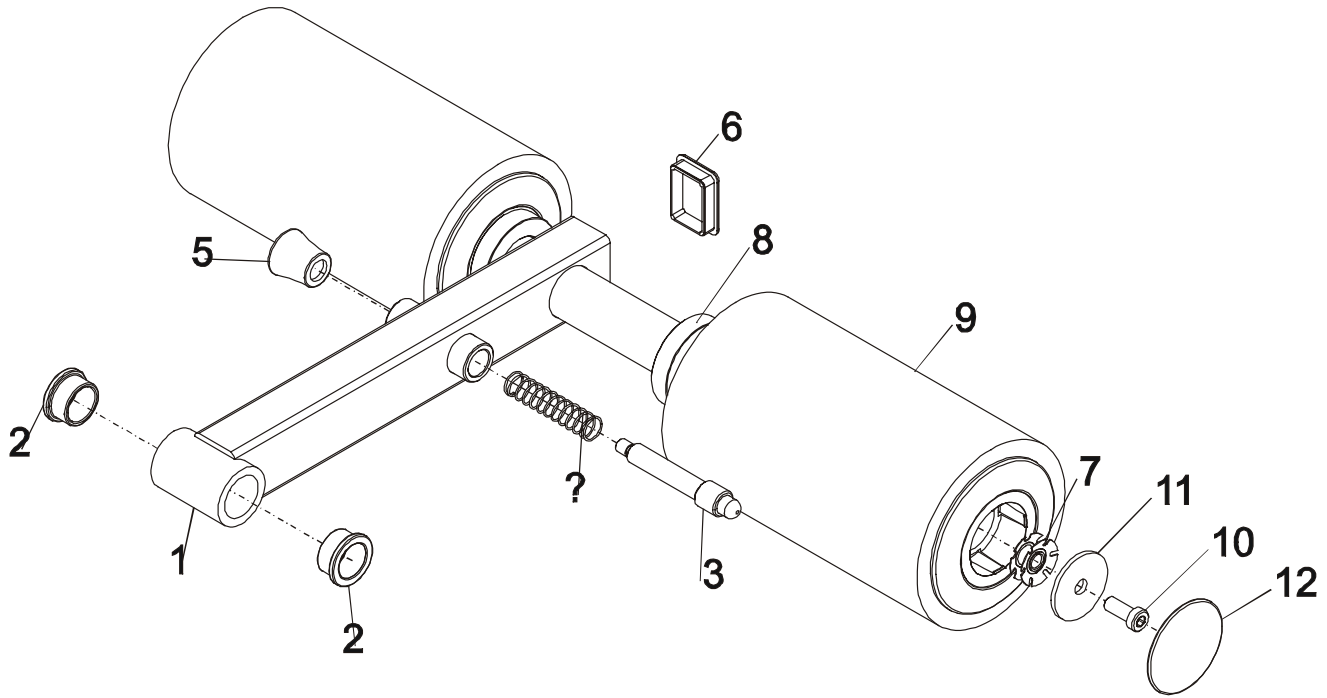


PSPDSE LAT PULLDOWN

MAIN FRAME ASSEMBLY CALLOUTS

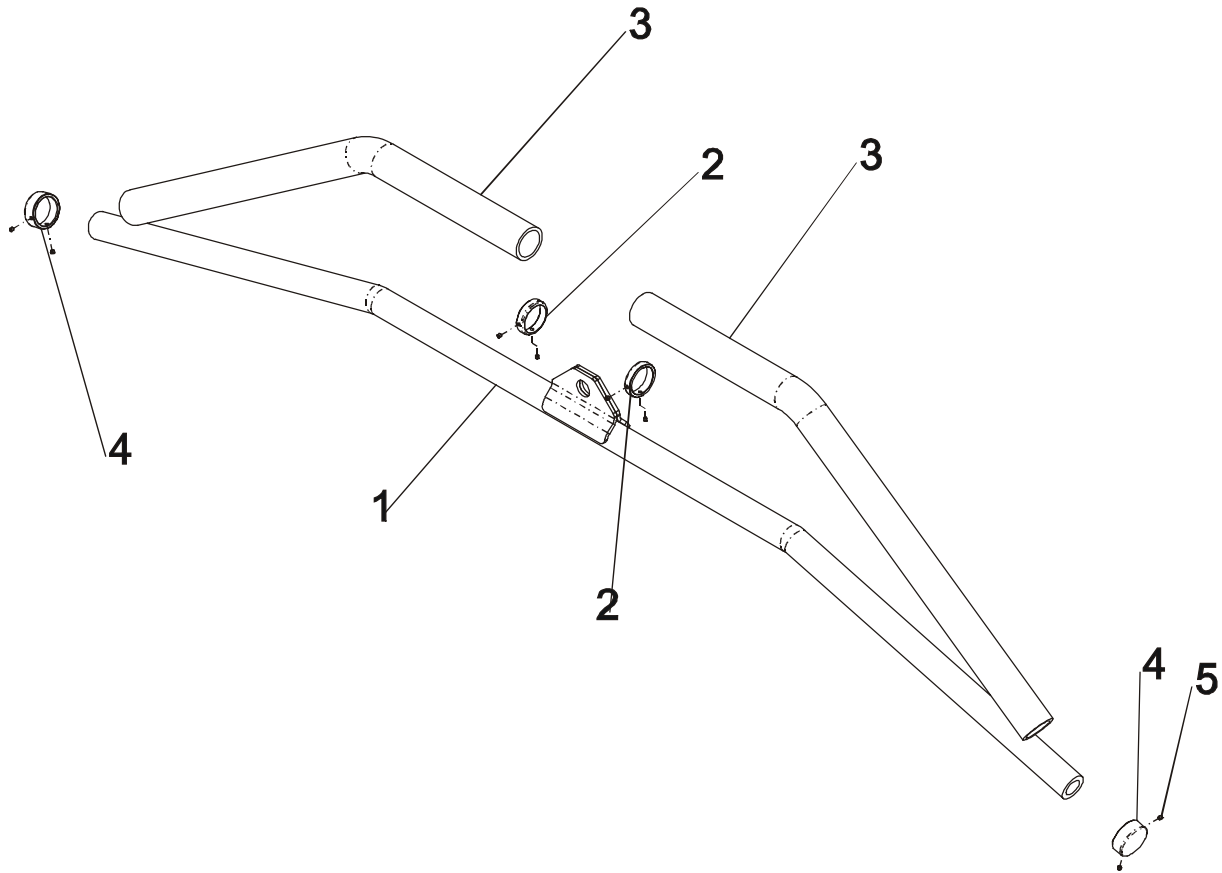
ITEM NO.	QTY.	PART NO.	DESCRIPTION
1	1	7365201	WLDMT-PSPD -MAIN FRAME
2	1	7350901	PLATE, SLOT STOP
3	2	3237801	PULLEY, 4.5" OD
4	1	7352301	CAP, END 2 X 3
5	1	7352401	CAP, END 2 X 4
6	12	7544201	PAD, DUAL LOC 400, 1" X 1"
7	2	7353201	COVER, STACK STD
8	1	3236206	SCREW, M10 X1.5 45MM
9	1	7348101	WASHER, SPACER
10	5	7335401	NUT, M10 X 1.5 SOCKET HEAD
11	2	3236201	SCREW, M10 X1.5 20MM
12	6	3236600	WASHER, 3/8 SAE SS
13	1	3236208	SCREW, M10 X1.5 55MM
14	1	7357801	PLATE, 3/8X2 5 SLOT SELECTOR
15	2	3236215	SCREW, M10 X1.5 90MM
16	1	7353501	ASSY, 300LB STACK
17	2	7328607	GUIDE ROD, .75 OD SOLID 78.75
18	2	7352101	CUSHION, WEIGHT STACK
19	2	7402301	RETAINER, GUIDEROD
20	2	3232421	RING, BRE .940, 5100-100 ST PP B
21	2	3240501	M10 X 1.5 HXS NO CUP ST BO
22	1	7490701	LABEL, PRO2 LOGO LEFT
23	1	7442001	LABEL, PSPD PLACARD
24	1	7422004	LABEL, 2" ASTM WARN
25	1	7422007	LABEL, SERIAL NO
26	1	7422003	LABEL, MOVING PARTS
27	1	7348001	LABEL, LIFE FITNESS LOGO
28	3	7388201	Footpad, PS Rubber
29	8	3238101	NUT, BLIND INSERT M10 X 1.5
30	5	3237401	PLUG, 7/16" HOLE
31	2	3237402	PLUG, HOLE
32	1	3236901	NUT, M10 X 1.5 JAM

PSPDSE LAT PULLDOWN THIGH HOLD DOWN ASSEMBLY



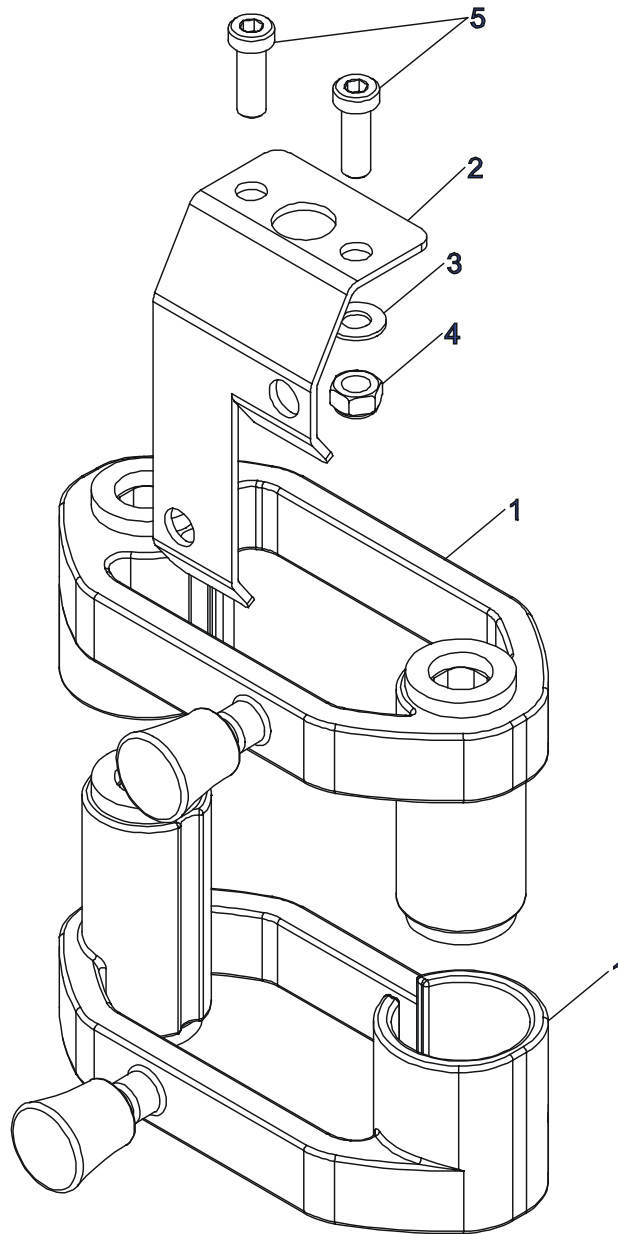
ITEM NO.	QTY.	PART NO.	DESCRIPTION
1	1	7365501	WLDMT-PSPD -HOLD DOWN
2	2	3104906	1" ID 1.25" OD BRONZ BUSHING
3	1	7351301	PIN, PULL
4	1	7351501	SPRING; PULL PIN LARGE
5	1	7351401	KNOB, TULIP STYLE
6	1	7352201	CAP, END 1-1/2 X 2
7	2	7347301	NUT, SPIDER M10 X 1.5
8	2	7357901	SHAFT COLLAR, 1-1/2" ID ALUM
9	2	7424701	ASSY, ROLLER PAD - SHORT
10	2	3236202	SCREW, M10 X1.5 25MM
11	2	7322301	PLATE, 1.97 OD X .44 ID 10GA
12	2	7308701	CAP, BEARING HOUSING

PSPDSE LAT PULLDOWN LAT BAR



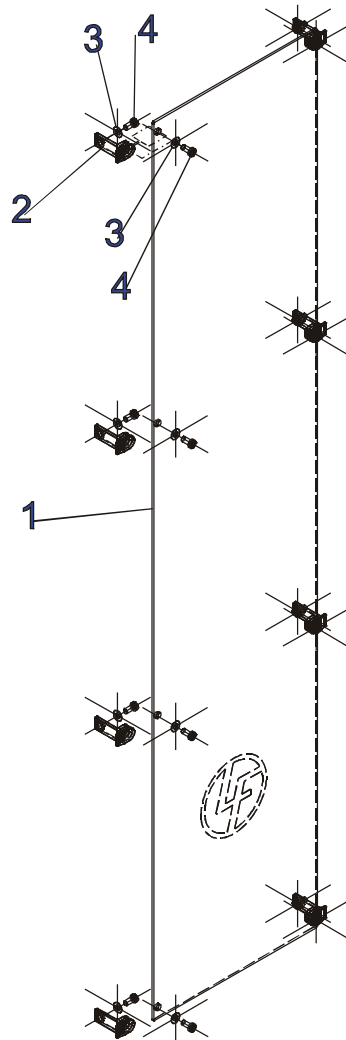
ITEM NO.	QTY.	PART NO.	DESCRIPTION
1	1	7365795	WLDMT-PSPD -LAT BAR
2	2	7315601	RING, GRIP 1.25 OD
3	2	3235801	GRIP, SHADOW GREY OPEN END
4	2	7306901	CAP, GRIP 1.25 OD
5	8	3237201	M3 X .5 HXS NO CUP ST BO

PSPDSE LAT PULLDOWN INCREMENT WEIGHT W/STRIKER



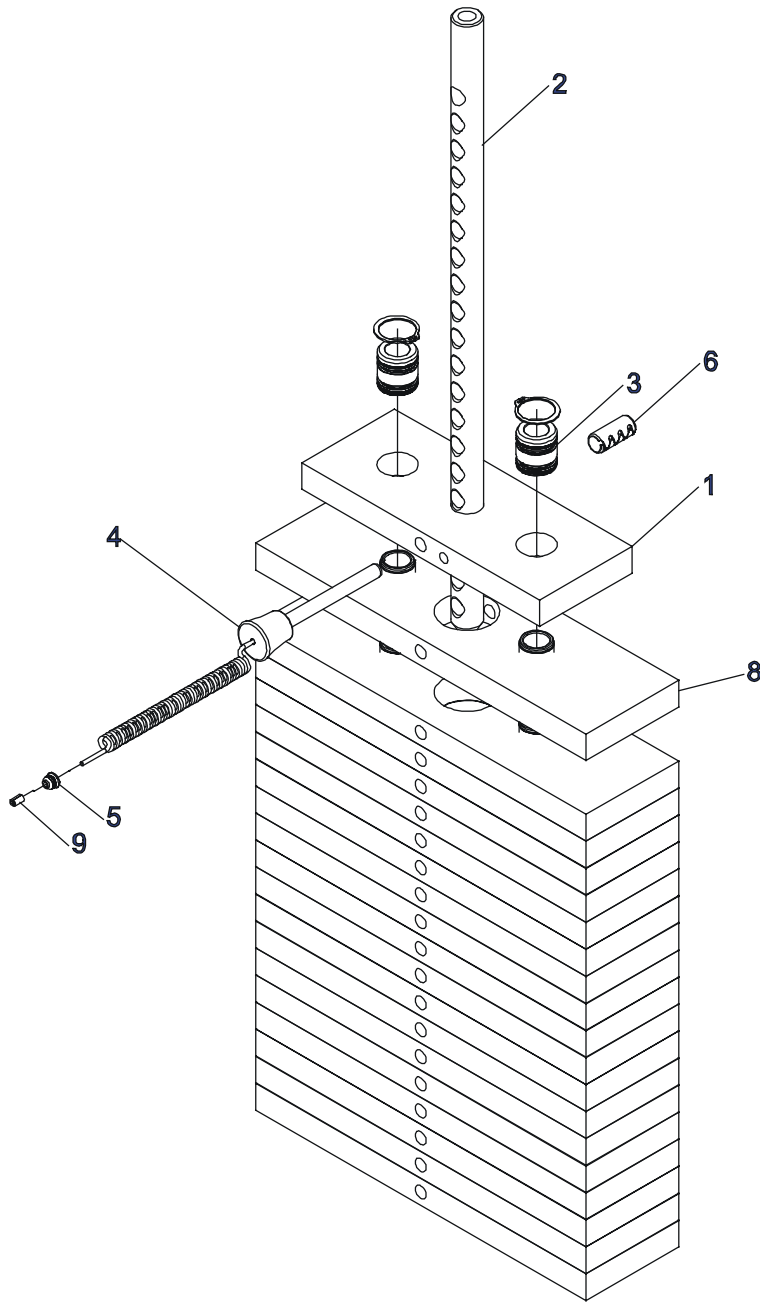
ITEM NO.	QTY.	PART NO.	DESCRIPTION
1	2	7446501	ASSY, 5LB INCREMENT WEIGHT
2	1	7447101	PLATE, INCR. WT STRIKER
3	2	3236601	WASHER, 3/8 SAE SS
4	2	3236801	NUT, M10 HEX NYLOCK SS
5	2	3236203	SCREW, M10 X1.5 30MM

PSPDSE LAT PULLDOWN SHROUD KIT XL



ITEM NO.	QTY.	PART NO.	DESCRIPTION
1	1	7469701	SHIELD, PSPD REAR
2	8	7655301	BRACKET, PS REAR SHIELD
3	16	3236601	WASHER, 3/8 SAE SS
4	16	3236201	SCREW, M10 X1.5 20MM

PSPDSE LAT PULLDOWN WEIGHT STACK ASSY 300LB



ITEM	NOQTY.	PART NO.	DESCRIPTION
1	1	7353901	HEADPLATE, WT. STACK
2	1	7356600	STEM, PRO2 19 HOLE
3	2	7338001	BUSHING, HEADPLATE
4	1	7353001	ASSY, SELECTOR PIN
5	1	7356501	PLUG, LANYARD ATTACHMENT
6	1	3236001	BUSHING, SPRING PIN
8	19	7353801	ASSY, 15 LB PLATE
9	1	7523601	CRIMP, CABLE