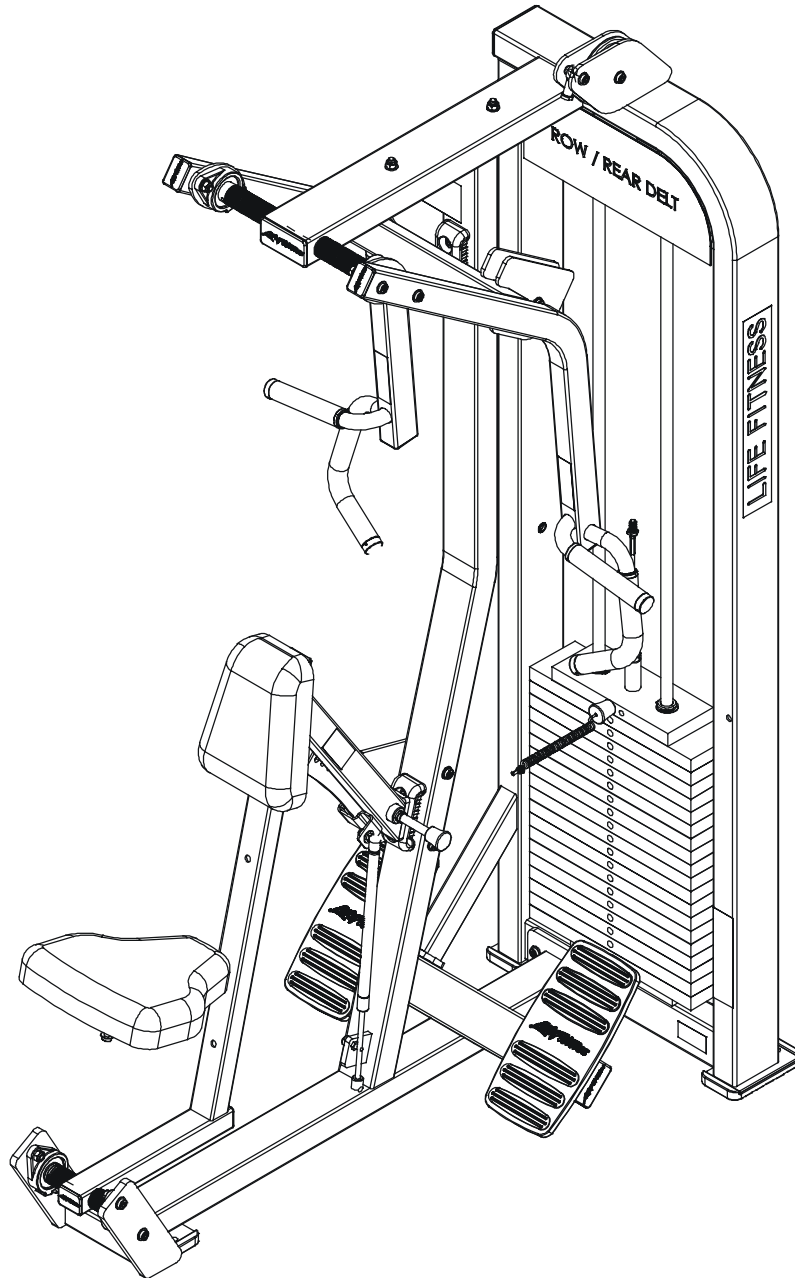


# Life Fitness

## PRO SERIES II PSRWSE SEATED ROW



## Customer Support Services **PARTS MANUAL**

## **PSRWSE SEATED ROW**

**Notes:**

---

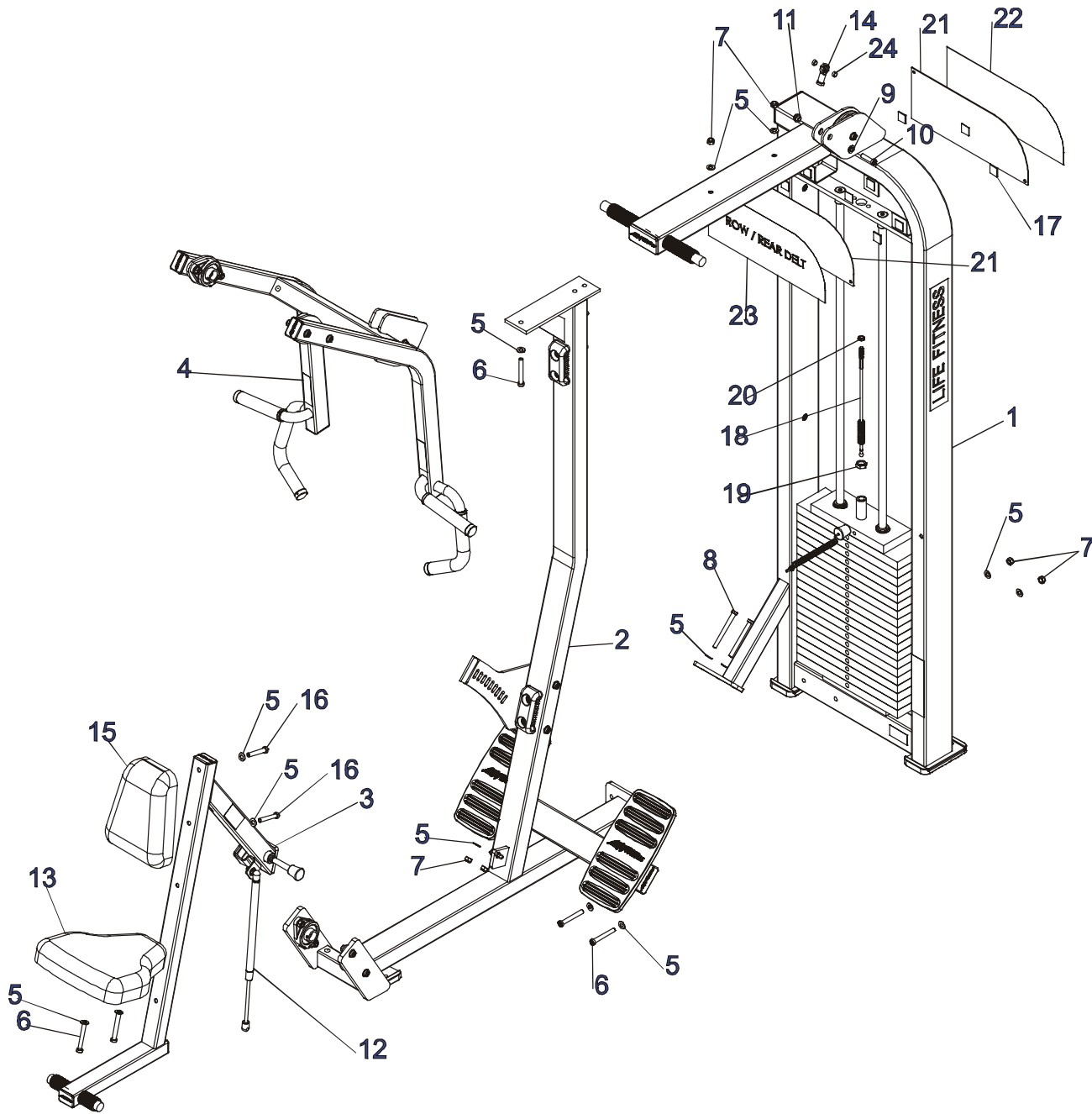
# PSRWSE SEATED ROW

## Contents

---

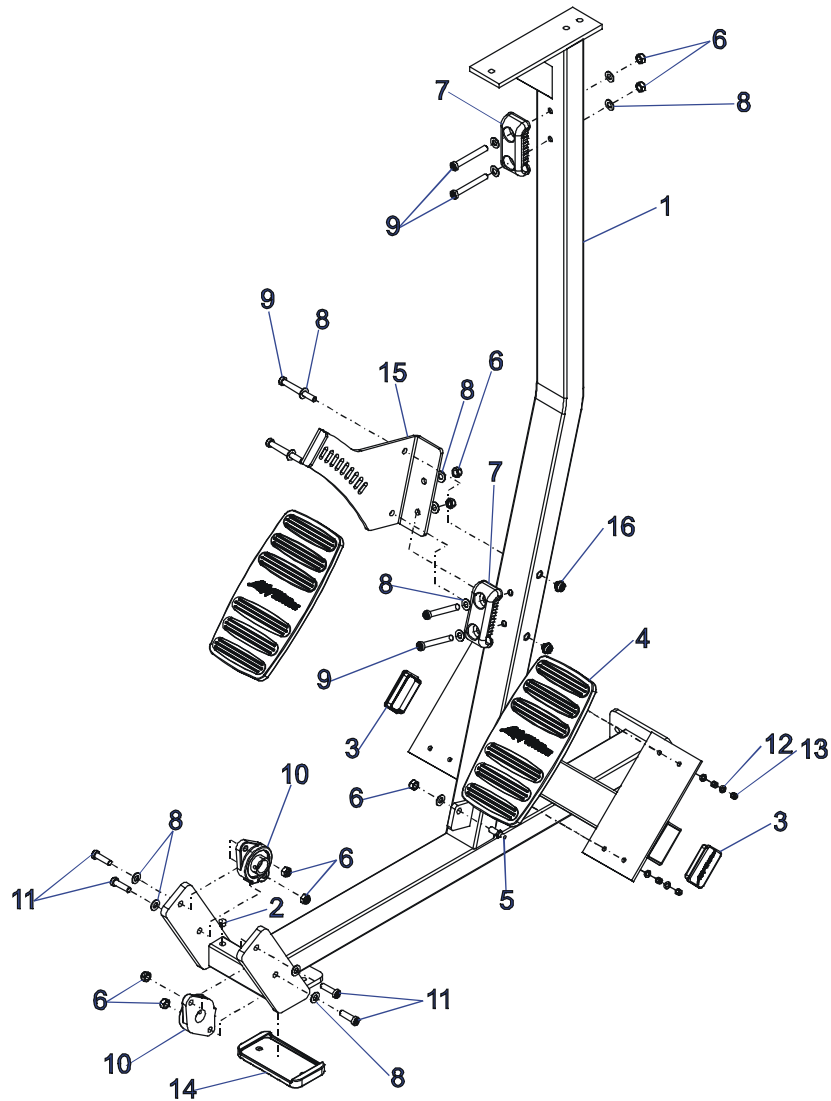
	<b>PAGE</b>
COMPONENT ASSEMBLY.....	4
MAIN FRAME ASSEMBLY.....	5
STACK FRAME ASSEMBLY.....	6
WORK ARM ASSEMBLY.....	7
SEAT FRAME ASSEMBLY.....	8
90 DEGREE SEAT BASE.....	9
ADD-ON INCREMENT WEIGHT.....	10
SHROUD KIT STD-TALL.....	11
WEIGHT STACK 300LB.....	12

# PSRWSE SEATED ROW COMPONENT ASSEMBLY



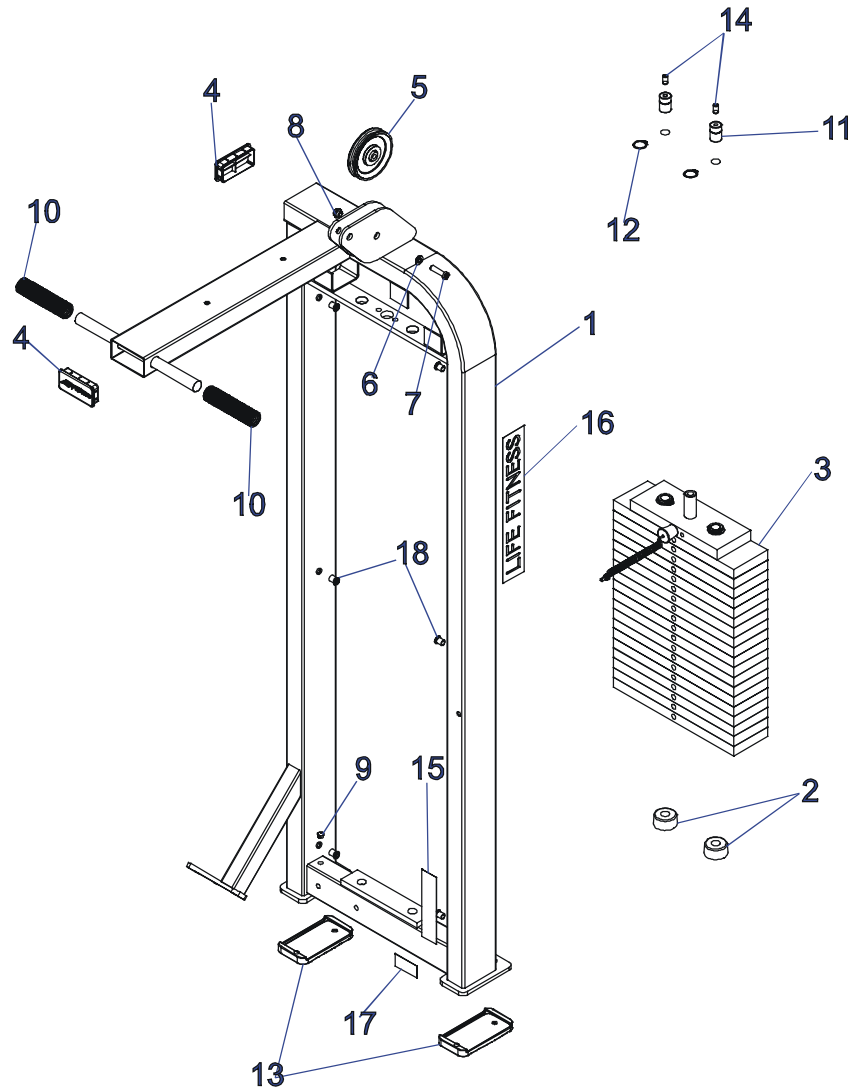
ITEM NO.	QTY.	PART NO.	DESCRIPTION	ITEM NO.	QTY.	PART NO.	DESCRIPTION
1	1	7418701	ASSY. PSRW STACK FRAME	13	1	7351901	PAD, SADDLE
2	1	7418801	ASSY. PSRW MAIN FRAME	14	1	3237901	ROD END, METRIC FEMALE
3	1	7418901	ASSY. PSRW SEAT FRAME	15	1	7399401	PAD, CHEST 10 X 7-5/8
4	1	7419001	ASSY. PSRW WORKARM	16	2	3236209	SCREW, M10 X1.5 60MM
5	16	3236601	WASHER, 3/8 SAE SS	17	12	7544201	PAD, DUAL LOC 400, 1" X 1"
6	6	3236212	SCREW, M10 X1.5 75MM	18	1	7423609	CABLE, PSRW
7	6	3236801	NUT, M10 HEX NYLOCK SS	19	1	3236902	NUT, M16 X 2 HEX JAM SS
8	2	3236217	SCREW, M10 X1.5 100MM	20	1	3236901	NUT, M10 X 1.5 JAM
9	1	7348101	WASHER, SPACER	21	2	7353201	COVER, STACK STD
10	1	3236205	SCREW, M10 X1.5 40MM	22	1	7490801	LABEL, PRO2 LOGO LEFT
11	1	7335401	NUT, M10 X 1.5 SOCKET HEAD	23	1	7489501	LABEL, PSRW PLACARD
12	1	3235702	SPRING, GAS 100N	24	2	7489402	BSHNG, .500 OD X .402 ID

# PSRWSE SEATED ROW MAIN FRAME ASSEMBLY



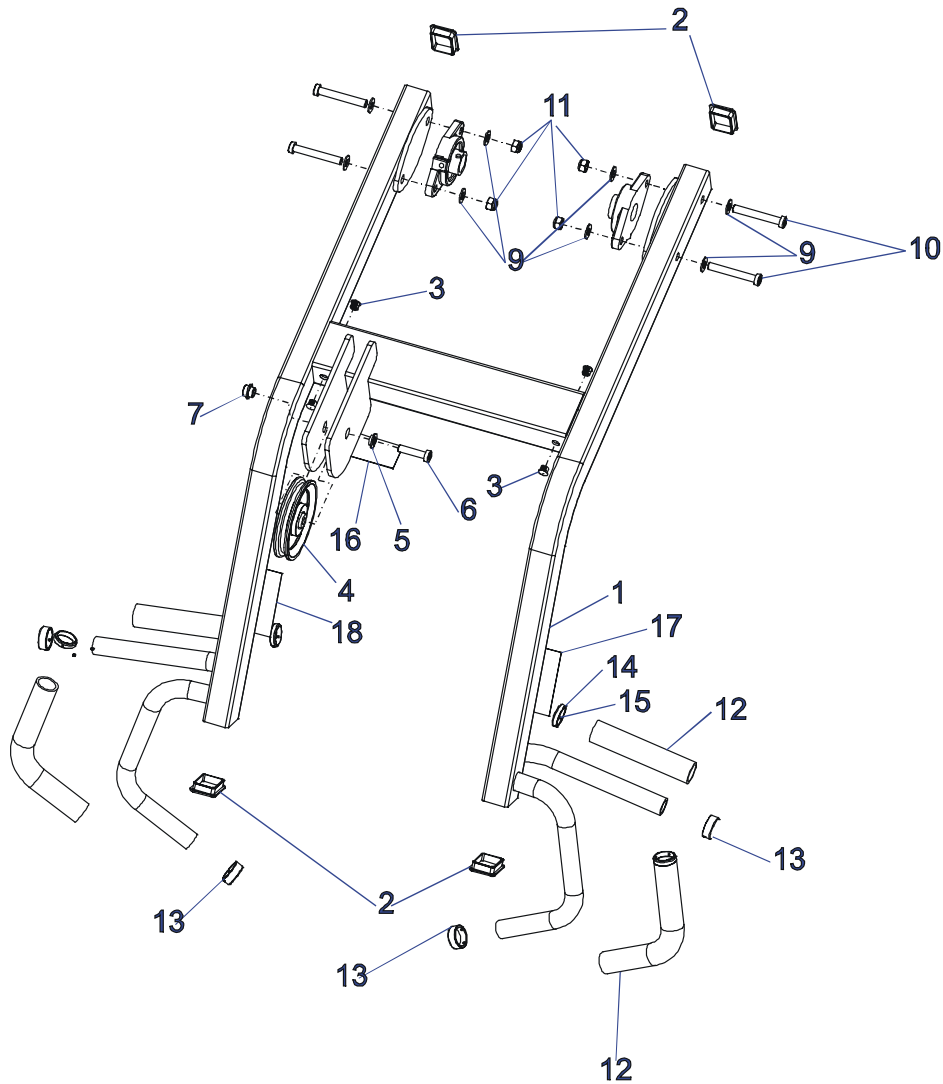
ITEM NO.	QTY.	PART NO.	DESCRIPTION
1	1	7416301	WLDMT, PSRW MAIN FRAME
2	2	3237401	PLUG, 7/16" HOLE
3	2	7352301	CAP, END 2 X 3
4	2	7424101	FOOTPLATE, PRO2
5	1	7414301	STUD, M10 BALL END M10 X 1.5
6	9	3236801	NUT, M10 HEX NYLOCK SS
7	2	7352001	BUMPER, 2-1/8 X 4-5/8
8	15	3236601	WASHER, 3/8 SAE SS
9	6	3236213	SCREW, M10 X1.5 80MM
10	2	3237701	ASSY, PILLOW BLOCK 4.88 X 2.75
11	4	3236204	SCREW, M10 X1.5 35MM
12	8	3241801	WASHER, FLAT 6MM SS
13	8	3236802	NUT, M6 HEX NYLOCK SS
14	1	7388201	Footpad, PS Rubber
15	1	7418601	BRKT, PSRW SEAT ADJ
16	2	7335401	NUT, M10 X 1.5 SOCKET HEAD

# PSRWSE SEATED ROW STACK FRAME ASSEMBLY



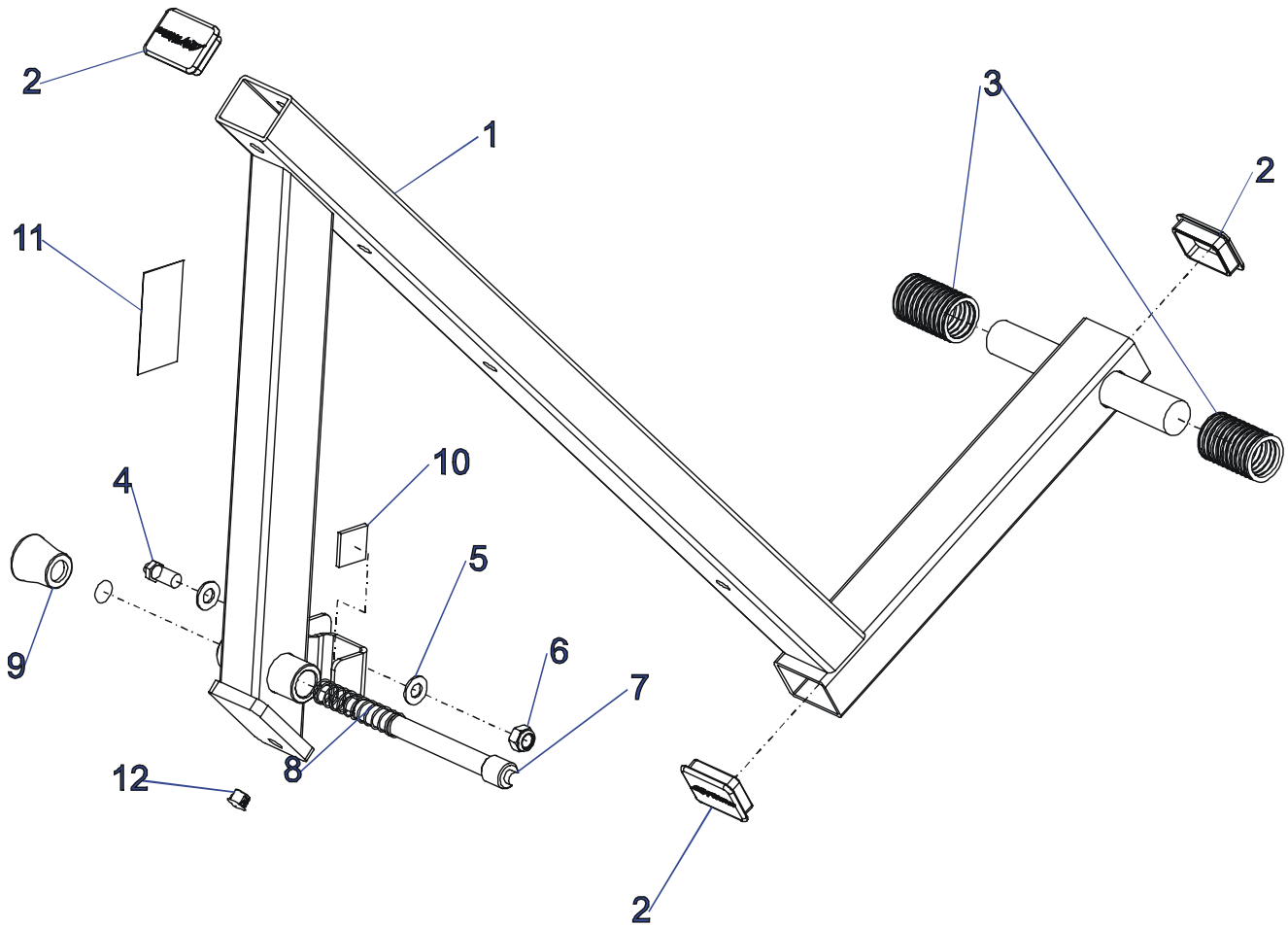
ITEM NO.	QTY.	PART NO.	DESCRIPTION
1	1	7415501	WLDMT, PSRW STACK FRAME
2	2	7352101	CUSHION, WEIGHT STACK
3	1	7353501	ASSY, 300LB STACK
4	2	7352401	CAP, END 2 X 4
5	1	3237801	PULLEY, 4.5" OD
6	1	7348101	WASHER, SPACER
7	1	3236205	SCREW, M10 X1.5 40MM
8	1	7335401	NUT, M10 X 1.5 SOCKET HEAD
9	2	3237401	PLUG, 7/16" HOLE
10	2	6912805	SLEEVE, ACCRDN 1.0 ID
11	2	7402301	RETAINER, GUIDEROD
12	2	3232421	RING, BRE .940, 5100-100 ST PP B
13	2	7388201	Footpad, PS Rubber
14	2	3240501	M10 X 1.5 HXS NO CUP ST BO
15	1	7422004	LABEL, 2" ASTM WARN
16	1	7348001	LABEL, LIFE FITNESS LOGO
17	1	7422007	LABEL, SERIAL NO
18	6	3238101	NUT, BLIND INSERT M10 X 1.5

# PSRWSE SEATED ROW WORK ARM ASSEMBLY



ITEM NO.	QTY.	PART NO.	DESCRIPTION
1	1	7417901	WLDMT, PSRW MOVEMENT ARM
2	4	7352201	CAP, END 1-1/2 X 2
3	4	3237401	PLUG, 7/16" HOLE
4	1	3237801	PULLEY, 4.5" OD
5	1	7348101	WASHER, SPACER
6	1	3236205	SCREW, M10 X1.5 40MM
7	1	7335401	NUT, M10 X 1.5 SOCKET HEAD
8	2	3237701	ASSY, PILLOW BLOCK 4.88 X 2.75
9	8	3236601	WASHER, 3/8 SAE SS
10	4	3236211	SCREW, M10 X1.5 70MM
11	4	3236801	NUT, M10 HEX NYLOCK SS
12	4	3235801	GRIP, 1.25 OD OPEN END
13	4	7306901	CAP, GRIP 1.25 OD
14	4	7315601	RING, GRIP 1.25 OD
15	16	3237201	M3 X .5 HXS NO CUP ST BO
16	1	7422003	LABEL, MOVING PARTS
17	1	7489701	LABEL, PSRW HANDLE LFT
18	1	7489601	LABEL, PSRW HANDLE RHT

# PSRWSE SEATED ROW SEAT FRAME ASSEMBLY

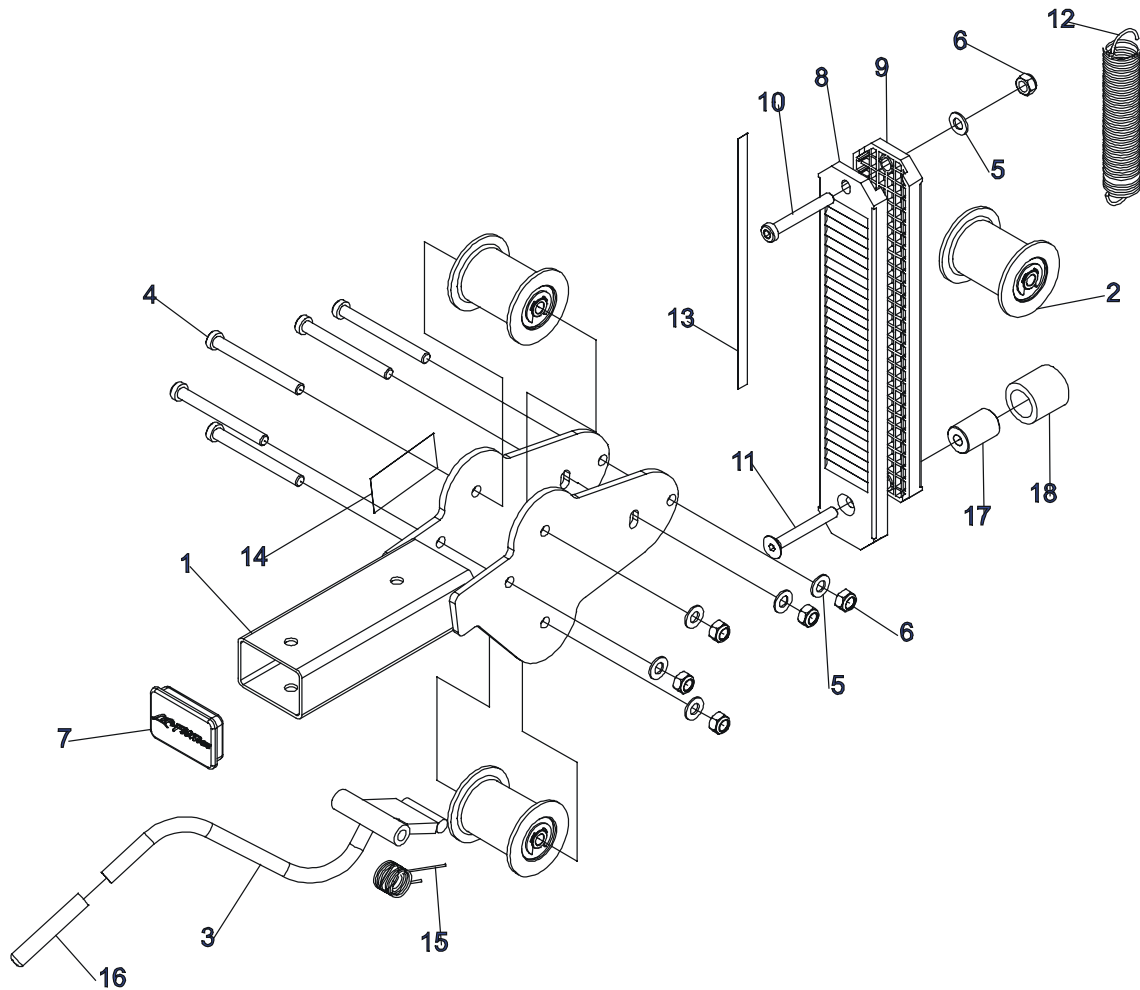


ITEM NO.	QTY.	PART NO.	DESCRIPTION
1	1	7417201	WLDMT, PSRW SEAT FRAME
2	3	7352201	CAP, END 1-1/2 X 2
3	2	6912804	SLEEVE, ACCRDN 1.0 ID
4	1	7414301	STUD, M10 BALL END M10 X 1.5
5	2	3236601	WASHER, 3/8 SAE SS
6	1	3236801	NUT, M10 HEX NYLOCK SS
7	1	7425102	PIN, PULL
8	1	7351501	SPRING; PULL PIN LARGE
9	1	7351401	KNOB, TULIP STYLE
10	1	6140701	GLIDE 1 X 1
11	1	7422001	LABEL, SEAT INST
12	1	3237402	PLUG, HOLE



# PSRWSE SEATED ROW

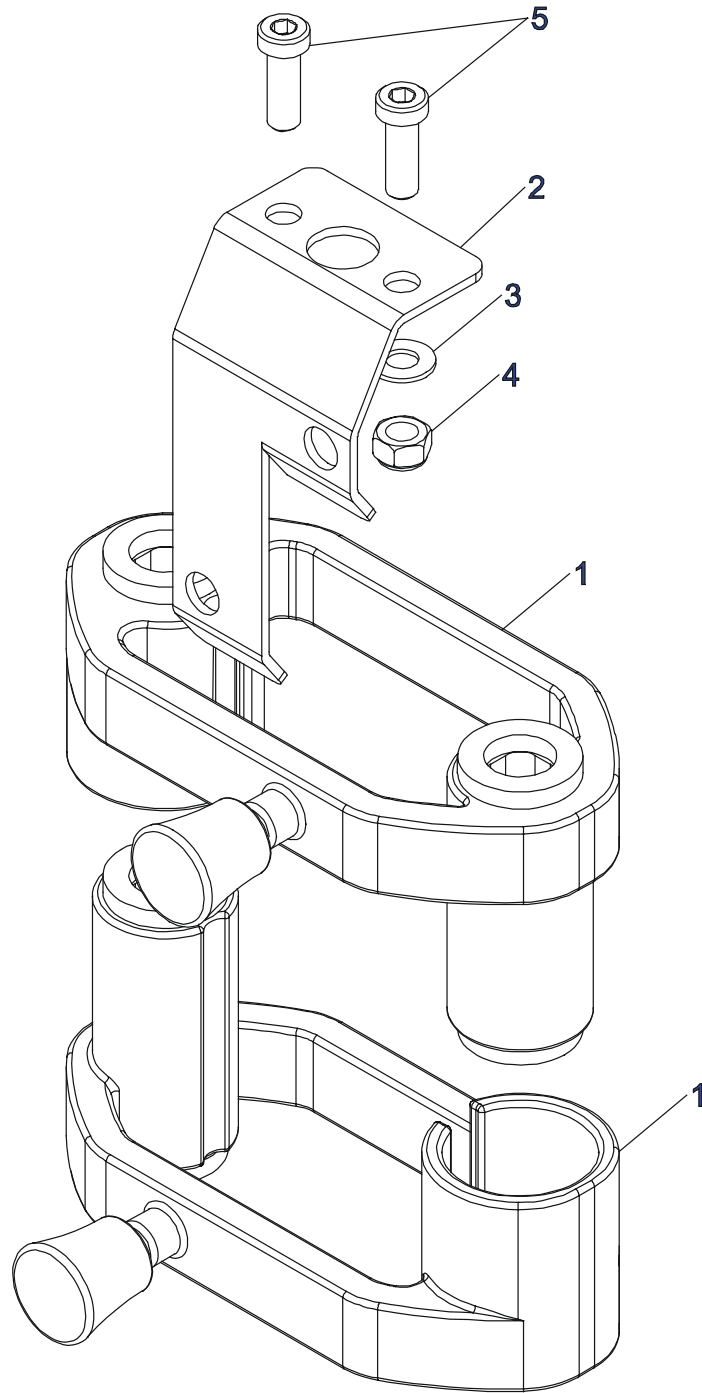
## 90 DEGREE ROLLER SEAT ASSY



ITEM NO.	QTY.	PART NO.	DESCRIPTION
1	1	7396801	Wldmnt, 90 Deg Roller Seat
2	3	7564201	ASSY, SEAT ROLLER
3	1	7387595	Weldmnt, PS-Roller Seat Handle
4	5	3236217	SCREW, M10 X1.5 100MM
5	6	3236601	WASHER, 3/8 SAE SS
6	6	3236801	NUT, M10 HEX NYLOCK SS
7	1	7352301	CAP, END 2 X 3
8	1	7564301	SEATRACK, ROLLER SERRATED
9	1	7564401	SEATRACK, FLAT
10	1	3236211	SCREW, M10 X1.5 70MM
11	1	3238312	M10x1.5x75mm
12	1	7442601	SPRING, PRO2 ROLLER SEAT
13	1	7422002	LABEL, SEAT ADJUST
14	1	7422001	LABEL, SEAT INST
15	1	7442701	SPRNG, PRO2 HANDLE TORSION
16	1	3238502	CAP, 1/2 X 5/8
17	1	7570601	STOP, ROLLER SEAT
18	1	3235802	GRIP, SHADOW GRAY, 1.5"

**PSRWSE SEATED ROW  
INCREMENT WEIGHT W/STRIKER**

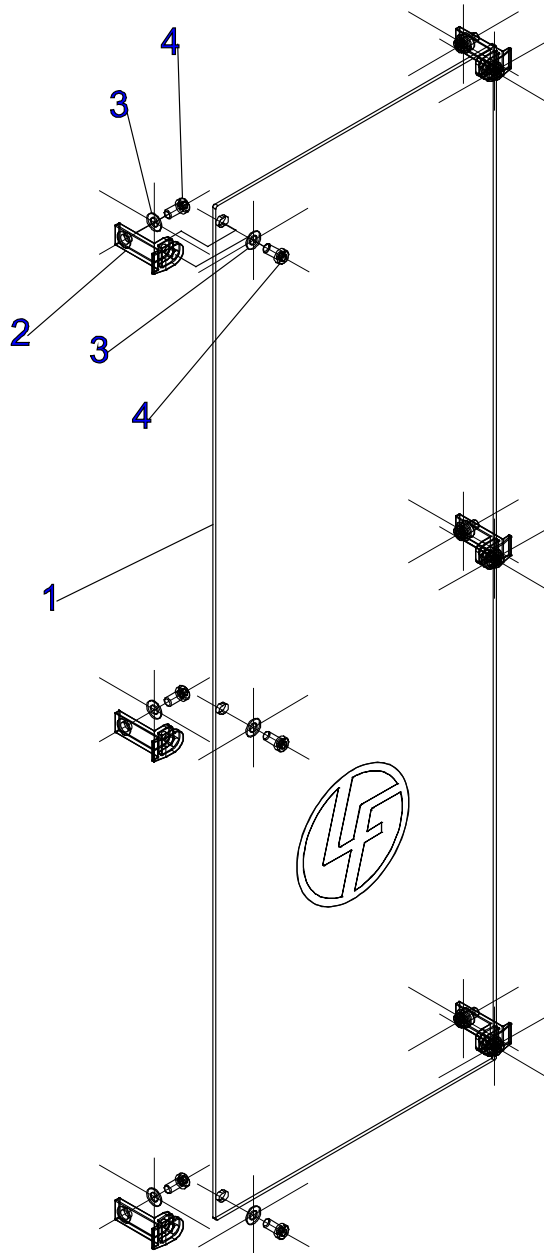
---



ITEM NO.	QTY.	PART NO.	DESCRIPTION
1	2	7446501	ASSY, 5LB INCREMENT WEIGHT
2	1	7447101	PLATE, INCR. WT STRIKER
3	2	3236601	WASHER, 3/8 SAE SS
4	2	3236801	NUT, M10 HEX NYLOCK SS
5	2	3236203	SCREW, M10 X1.5 30MM

# PSRWSE SEATED ROW SHROUD KIT STD-TALL

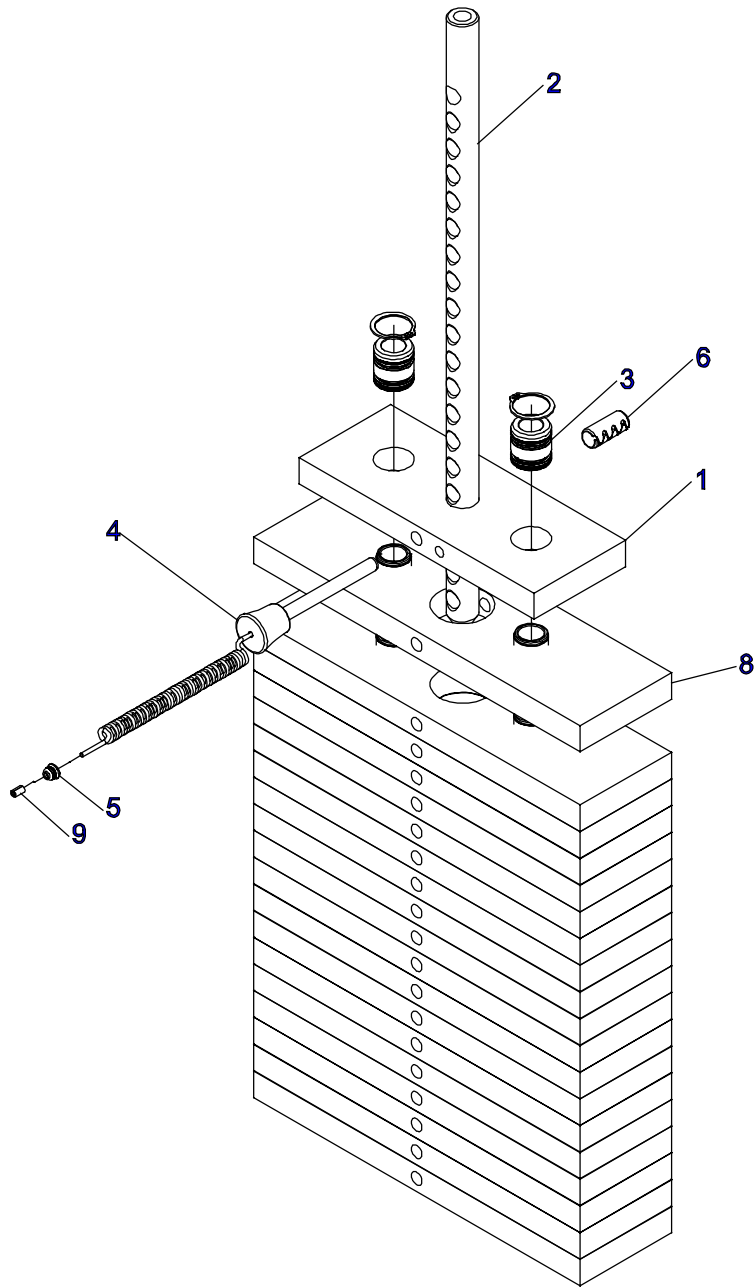
---



ITEM NO.	QTY.	PART NO.	DESCRIPTION
1	1	7376806	SHIELD, PS REAR
2	6	7655301	BRACKET, PS REAR
3	12	3236601	SHIELD
4	12	3236201	SCREW, M10 X1.5 20MM

# PSRWSE SEATED ROW WEIGHT STACK ASSY 300LB

---



ITEM NO	QTY	PART NO.	DESCRIPTION
1	1	7353901	HEADPLATE, WT. STACK
2	1	7356600	STEM, PRO2 19 HOLE
3	2	7338001	BUSHING, HEADPLATE
4	1	7353001	ASSY, SELECTOR PIN
5	1	7356501	PLUG, LANYARD ATTACHMENT
6	1	3236001	BUSHING, SPRING PIN
8	19	7353801	ASSY, 15 LB PLATE
9	1	7523601	CRIMP, CABLE