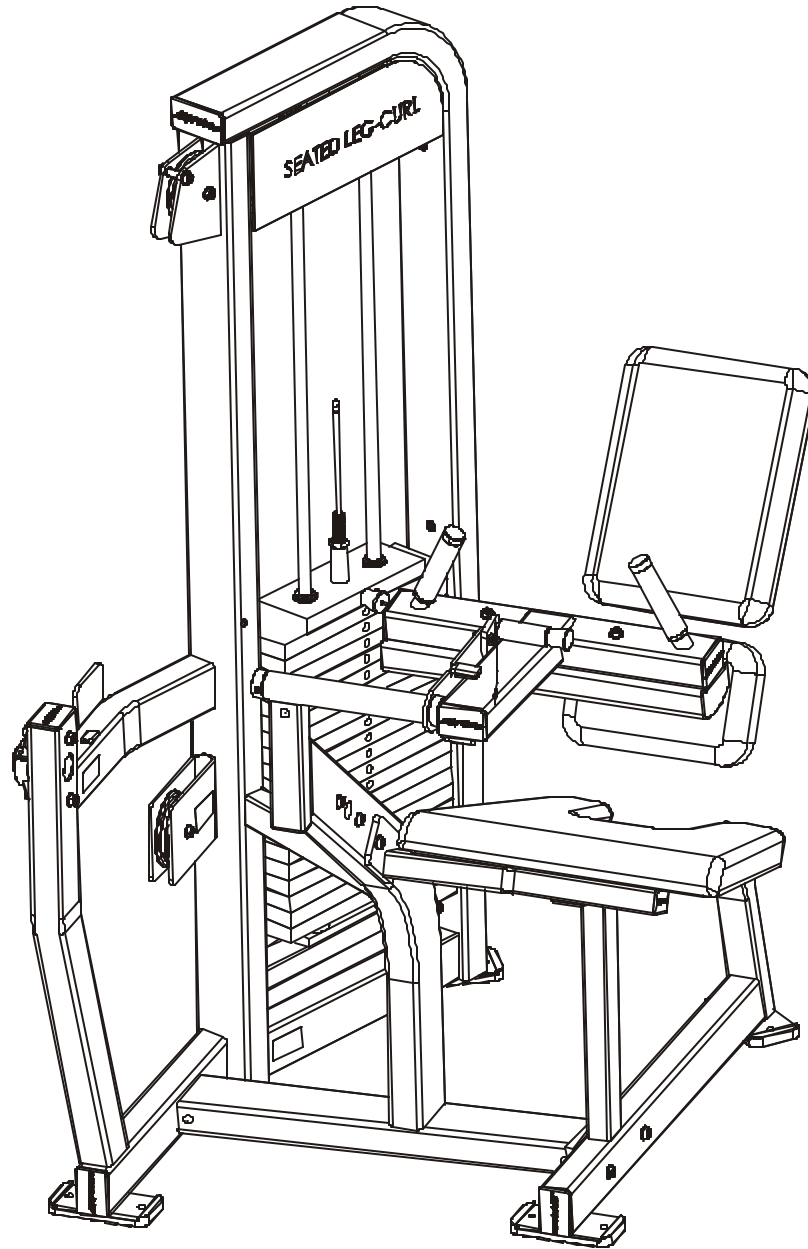


Life Fitness

PRO SERIES II PSSLCSE SEATED LEG CURL



Customer Support Services ***PARTS MANUAL***

PSSLCSE SEATED LEG CURL

Notes:

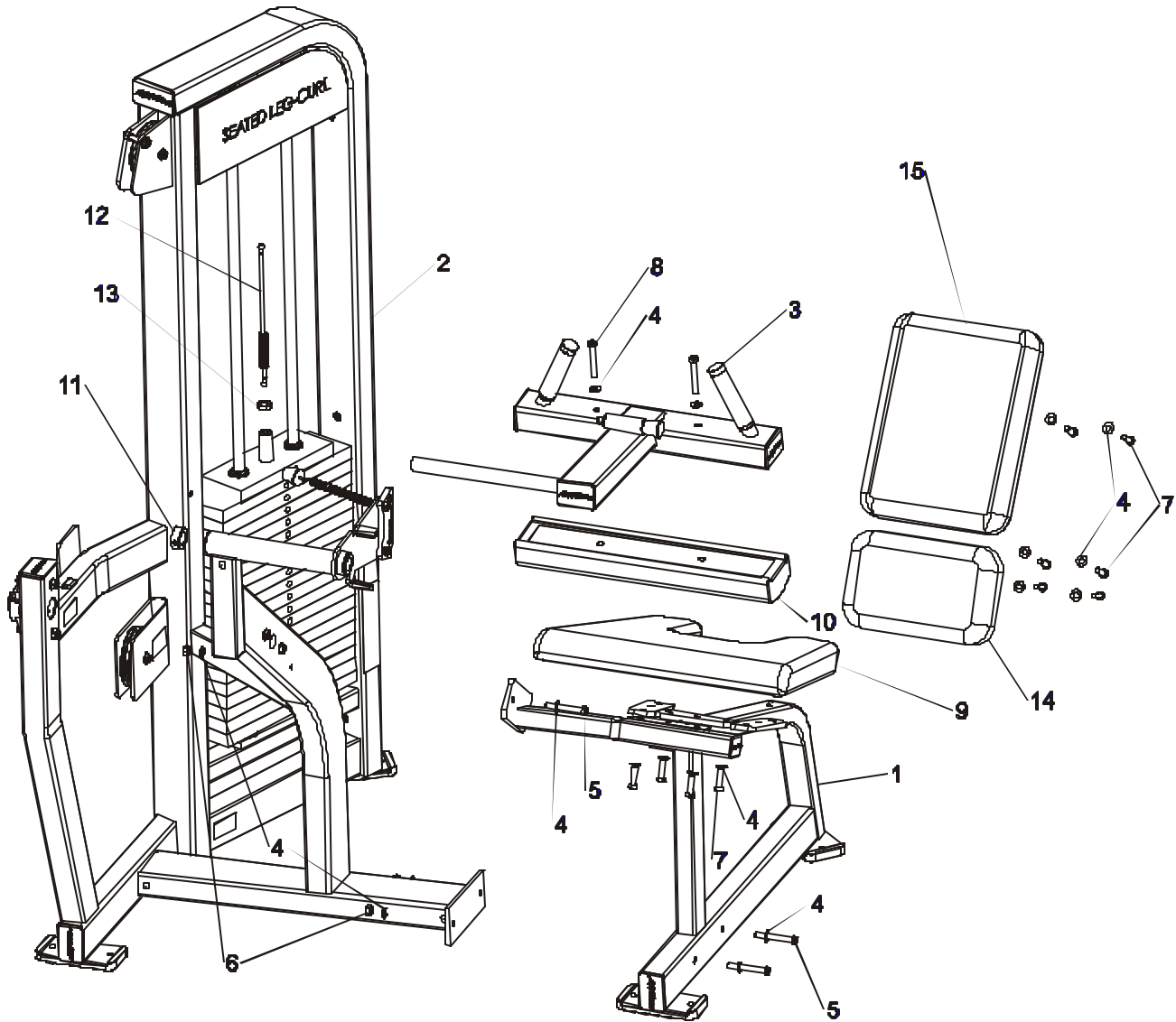
PSSLCSE SEATED LEG CURL

Contents

	PAGE
COMPONENT ASSEMBLY	4
SIDE FRAME ASSEMBLY	5
SIDE FRAME ASSEMBLY CALLOUTS	6
BMA ASSEMBLY	7
SEAT FRAME ASSEMBLY	8
THIGH HOLD DOWN ASSEMBLY	9
SEAT SUPPORT ASSEMBLY	10
SEAT ROLLER	11
ADD ON INCREMENT WEIGHT	12
INCREMENT WEIGHT W/STRIKER	13
WEIGHT STACK ASSEMBLY	14
SHROUD KIT	15

PSSLCSE SEATED LEG CURL

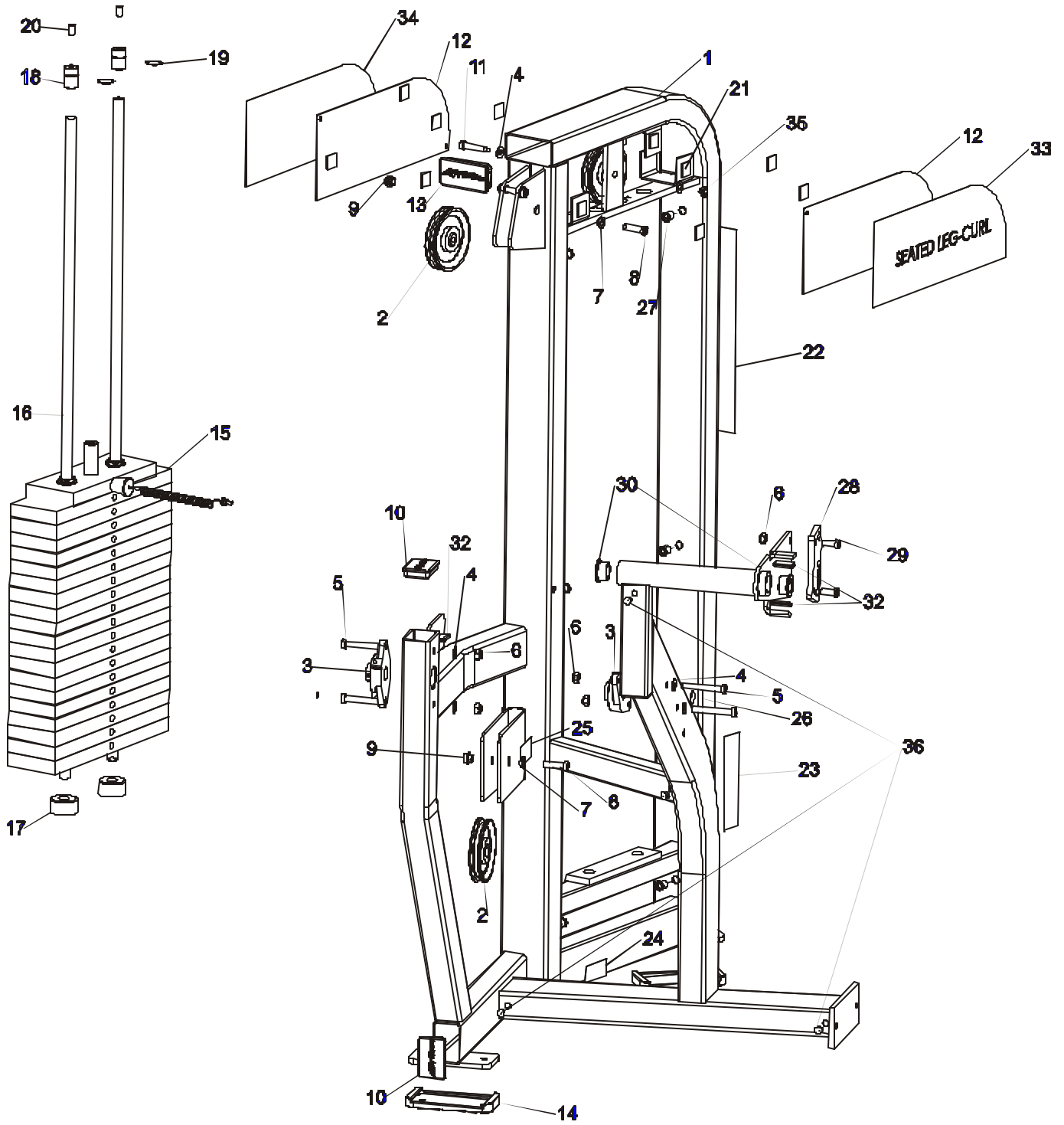
COMPONENT ASSEMBLY



ITEM NO.	QTY.	PART NO.	DESCRIPTION
1	1	7579301	ASSY, PSSLC SEAT-FRAME
2	1	7579901	ASSY, PSSLC SIDE FRAME
3	1	7580501	ASSY, PSSLC THIGH HOLD-DOWN
4	18	3236601	WASHER, 3/8 SAE SS
5	3	3236212	SCREW, M10 X1.5 75MM
6	3	3236801	NUT, M10 HEX NYLOCK SS
7	10	3236204	SCREW, M10 X1.5 35MM
8	2	3236211	SCREW, M10 X1.5 70MM
9	1	7459101	PAD, SEAT 18-1/2 X 19-7/8
10	1	7470701	PAD, KNEE
11	1	3103303	SHAFT COLLAR, 1.0 I.D. ZINC
12	1	7423714	CABLE, PSSLC
13	1	3236902	NUT, M16 X 2 HEX JAM SS
14	1	7399300	PAD, 7 X 11-1/4
15	1	7422101	PAD, BACK 15 X 11-1/4

PSSLCSE SEATED LEG CURL

SIDE FRAME ASSEMBLY

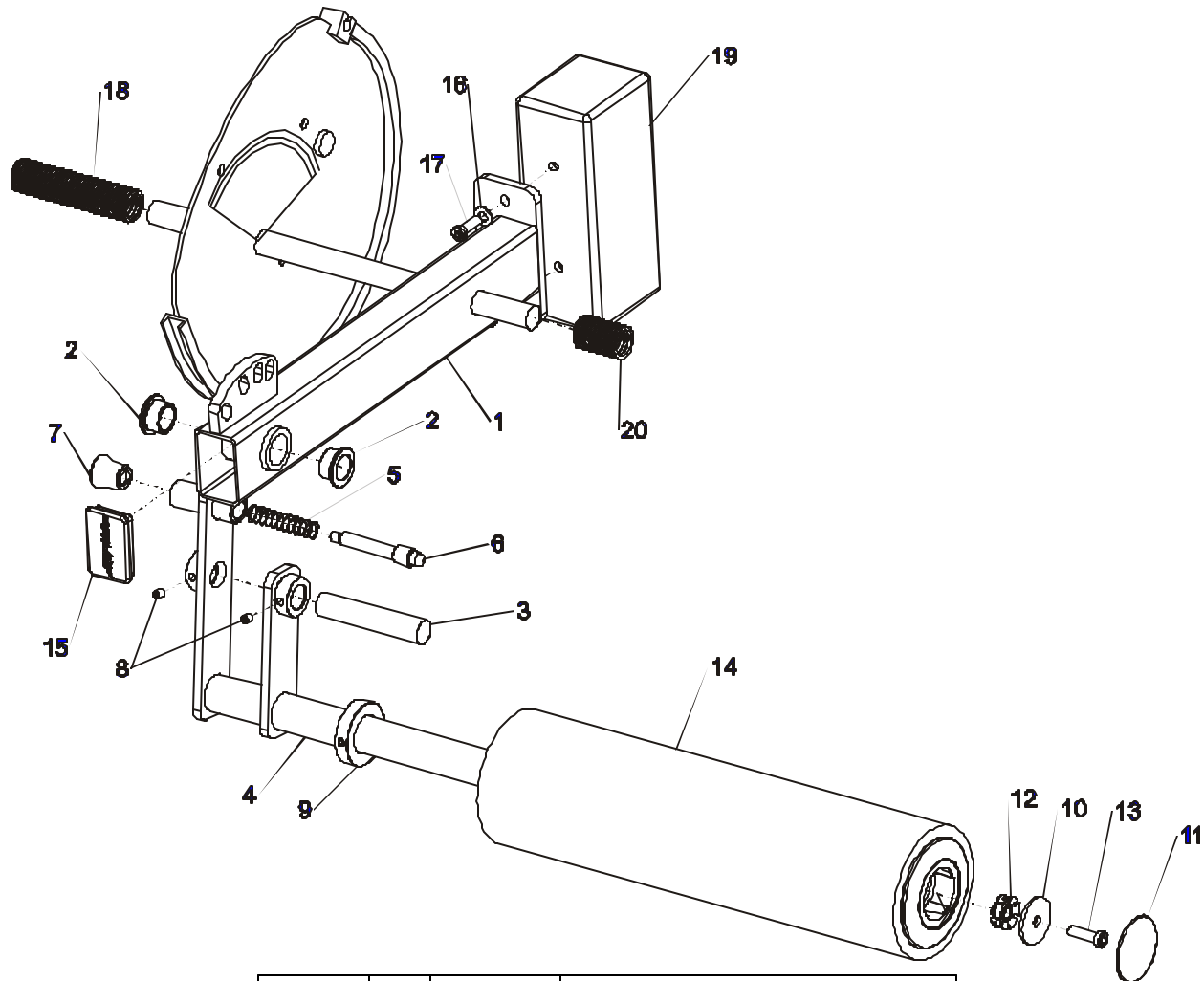


PSSLCSE SEATED LEG CURL SIDE FRAME ASSEMBLY CALLOUTS

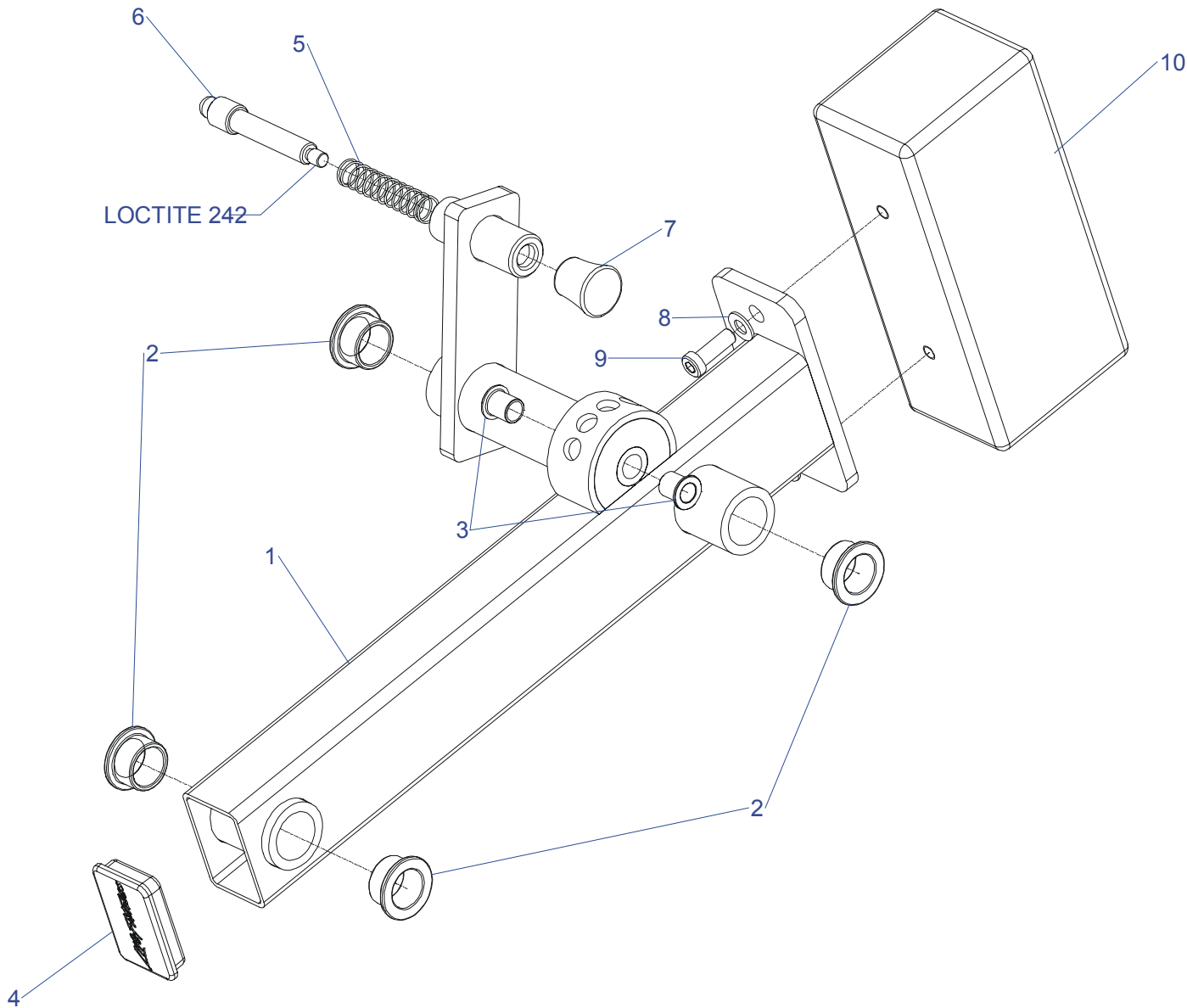
ITEM NO.	QTY.	PART NO.	DESCRIPTION
1	1	7580001	WLDMT, PSSLC-SIDE FRAME
2	3	3237801	PULLEY, 4.5" OD
3	2	3237701	ASSY, PILLOW BLOCK 4.88 X 2.75
4	6	3236601	WASHER, 3/8 SAE SS
5	4	3236212	SCREW, M10 X1.5 75MM
6	6	3236801	NUT, M10 HEX NYLOCK SS
7	3	7348101	WASHER, SPACER
8	3	3236205	SCREW, M10 X1.5 40MM
9	3	7335401	NUT, M10 X 1.5 SOCKET HEAD
10	2	7352301	CAP, END 2 X 3
11	1	3236206	SCREW, M10 X1.5 45MM
12	2	7606602	COVER, STACK-PRO2 STD
13	1	7352401	CAP, END 2 X 4
14	2	7388201	Footpad, PS Rubber
15	1	7353501	ASSY, 300LB STACK
16	2	7328601	GUIDE ROD, .75 OD SOLID 48.38
17	2	7352101	CUSHION, WEIGHT STACK
18	2	7402301	RETAINER, GUIDEROD
19	2	3232421	RING, BRE .940, 5100-100 ST PP B
20	2	3240501	M10 X 1.5 HXS NO CUP ST BO
21	12	7544201	PAD, DUAL LOCK 250, 1" X 1"
22	1	7348001	LABEL, LIFE FITNESS LOGO
23	1	7422004	LABEL, 2" ASTM WARN
24	2	7422007	LABEL, SERIAL NO
25	1	7422003	LABEL, MOVING PARTS
26	1	7488701	LABEL, AXIS OF ROTATION
27	6	3238101	NUT, BLIND INSERT M10 X 1.5
28	1	7573601	PLATE, SLOTTED .375
29	2	3236202	SCREW, M10 X1.5 25MM
30	2	3104903	1.00" ID 1.25" OD BRONZ BUSHING
31	1	7352201	CAP, END 1-1/2 X 2
32	3	7570801	Guard, Paint 1.25"x.75"x.25"
33	1	7584001	LABEL, PSSLC PLACARD
34	1	7584101	LABEL, PSSLC LOGO PANEL
35	1	3236901	NUT, M10 X 1.5 JAM
36	6	3237401	PLUG, 7/16" HOLE

PSSLCSE SEATED LEG CURL

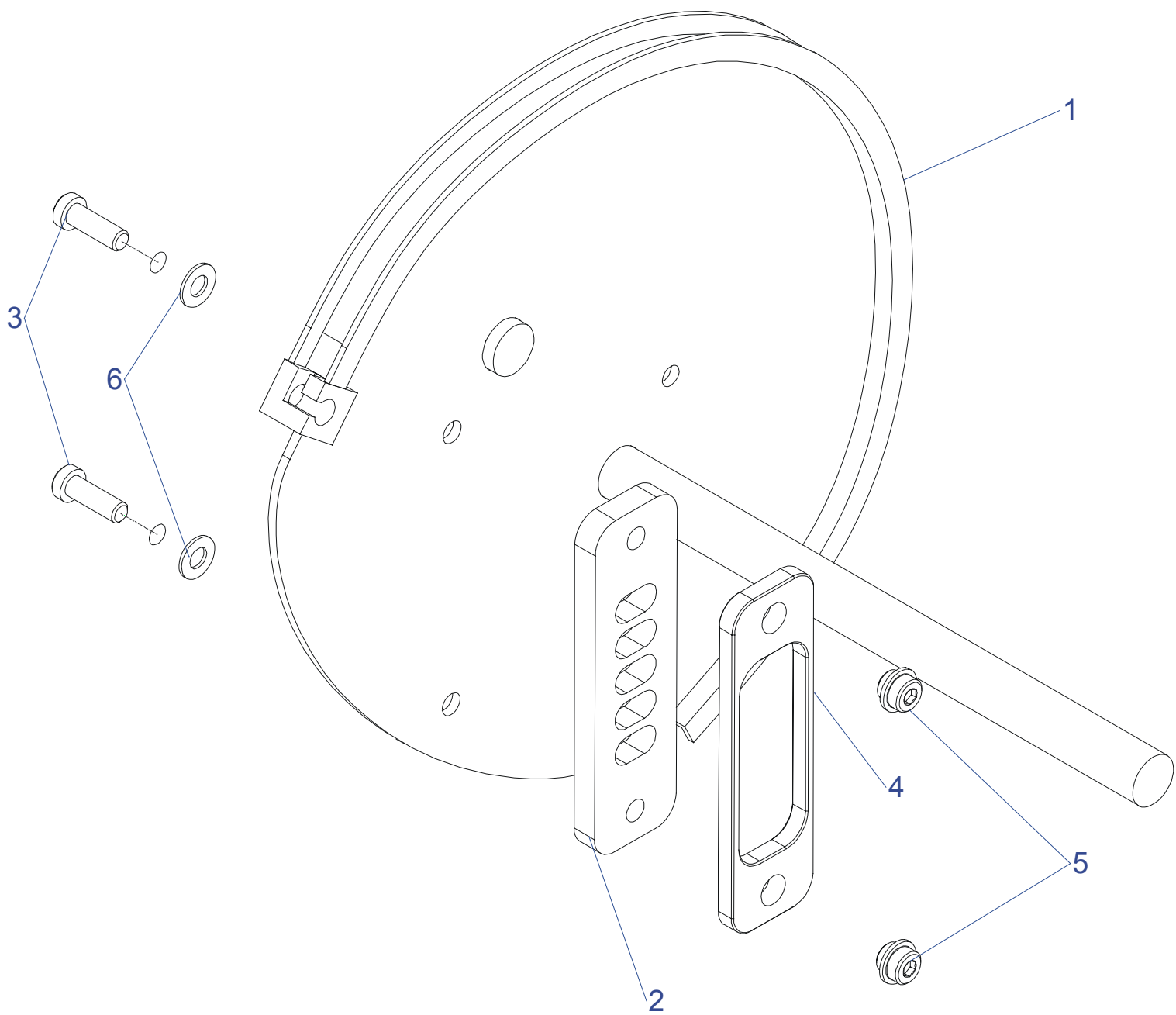
BMA ASSEMBLY



ITEM NO	QTY.	PART NO.	DESCRIPTION
1	1		WLDMT, PSSLC-BMA
2	2	3104903	1.00" ID 1.25" OD BRONZ BUSHING
3	1	7358201	SHAFT, 1 DIA STAINLESS X 4-7/8
4	1	7374695	WELDMENT, PSLE&LC-BASE KICKER
5	1	7351501	SPRING; PULL PIN LARGE
6	1	7351301	PIN, PULL
7	1	7351401	KNOB, TULIP STYLE
8	2	3242902	SCREW, SET BO
9	1	7357901	SHAFT COLLAR, 1-1/2" ID ALUM
10	1	7322301	PLATE, 1.97 OD X .44 ID 10GA
11	1	7308701	CAP, BEARING HOUSING
12	1	7347301	NUT, SPIDER M10 X 1.5
13	1	3236204	SCREW, M10 X1.5 35MM
14	1	7392801	ASSY, ROLLER PAD - LONG
15	1	7352301	CAP, END 2 X 3
16	2	3236601	WASHER, 3/8 SAE SS
17	2	3236203	SCREW, M10 X1.5 30MM
18	1	6912805	SLEEVE, ACCRDN 1.0 ID X 5.5
19	1	7365801	WEIGHT, COUNTER LG
20	1	6912804	SLEEVE, ACCRDN 1.0 ID X 2



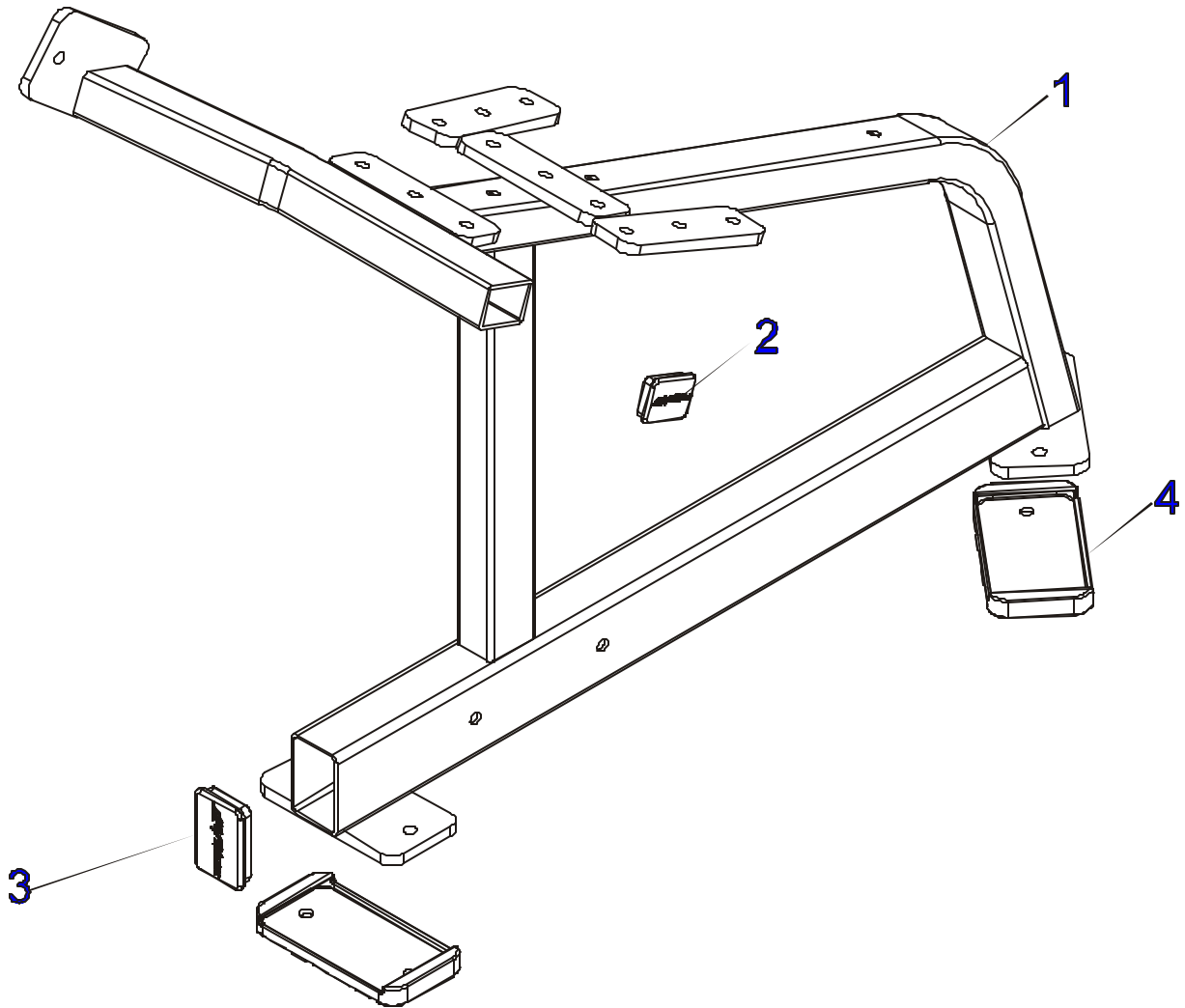
ITEM NO.	QTY.	PART NO.	DESCRIPTION
1	1	7581601	WLDMT, PSSLC OMA
2	4	3104903	1.00" ID 1.25" OD BRONZ BUSHING
3	2	6020601	BEARING, FLG 1/2 ID X 5/8 OD
4	1	7352301	CAP, END 2 X 3
5	1	7351501	SPRING; PULL PIN LARGE
6	1	7351301	PIN, PULL
7	1	7351401	KNOB, TULIP STYLE
8	2	3236601	WASHER, 3/8 SAE SS
9	2	3236203	SCREW, M10 X1.5 30MM
10	1	7365801	WEIGHT, COUNTER LG



ITEM NO. QTY. PART NO. DESCRIPTION

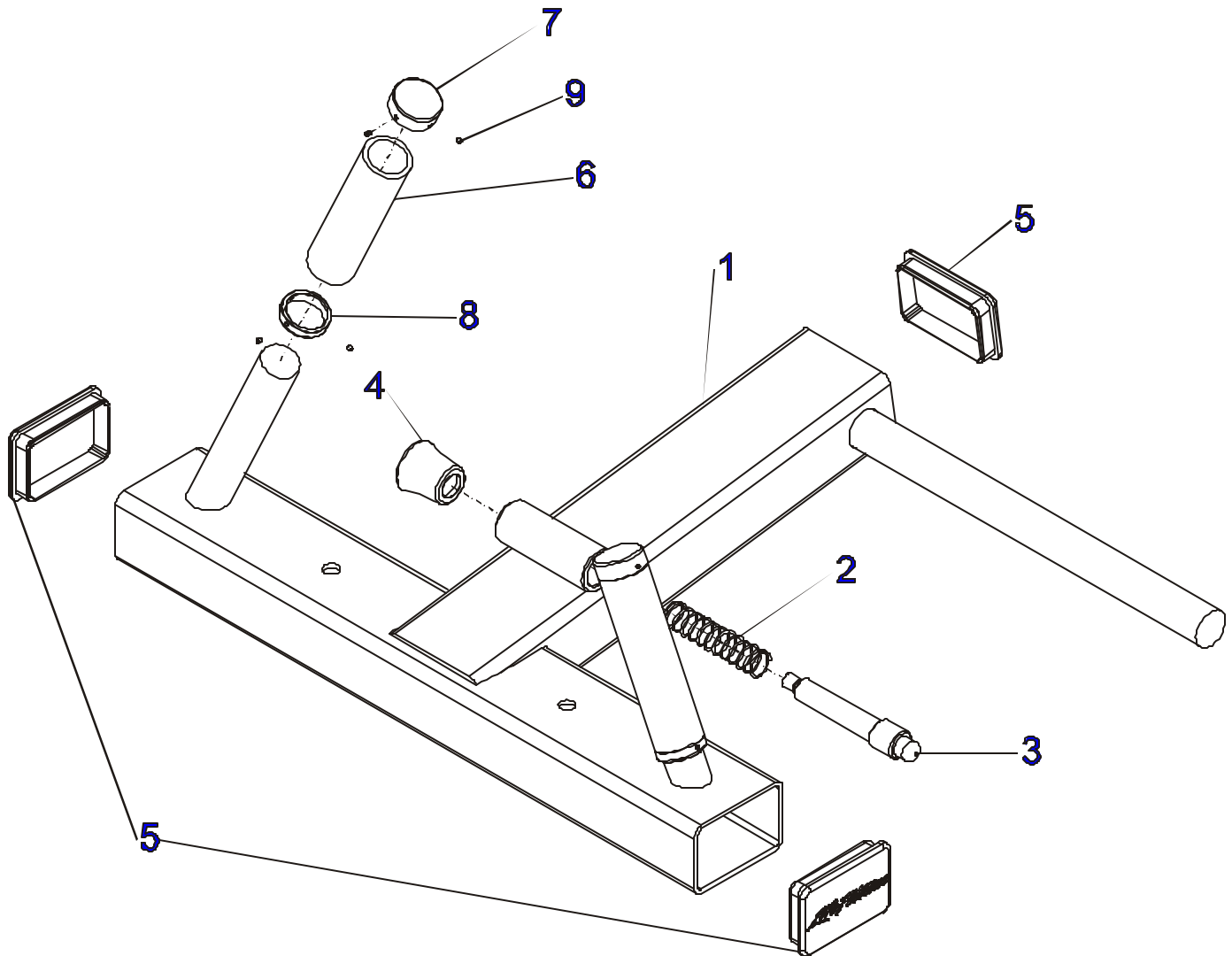
1	1	7581801	WLDMT, PSSLC CAM OMA
2	1	7352501	5-HOLE SELECTOR PLATE
3	2	3236203	SCREW, M10 X1.5 30MM
4	1	7350901	PLATE, SLOT STOP
5	2	7335401	NUT, M10 X 1.5 SOCKET HEAD
6	2	3236601	WASHER, 3/8 SAE SS

PSSLCSE SEATED LEG CURL SEAT FRAME ASSEMBLY

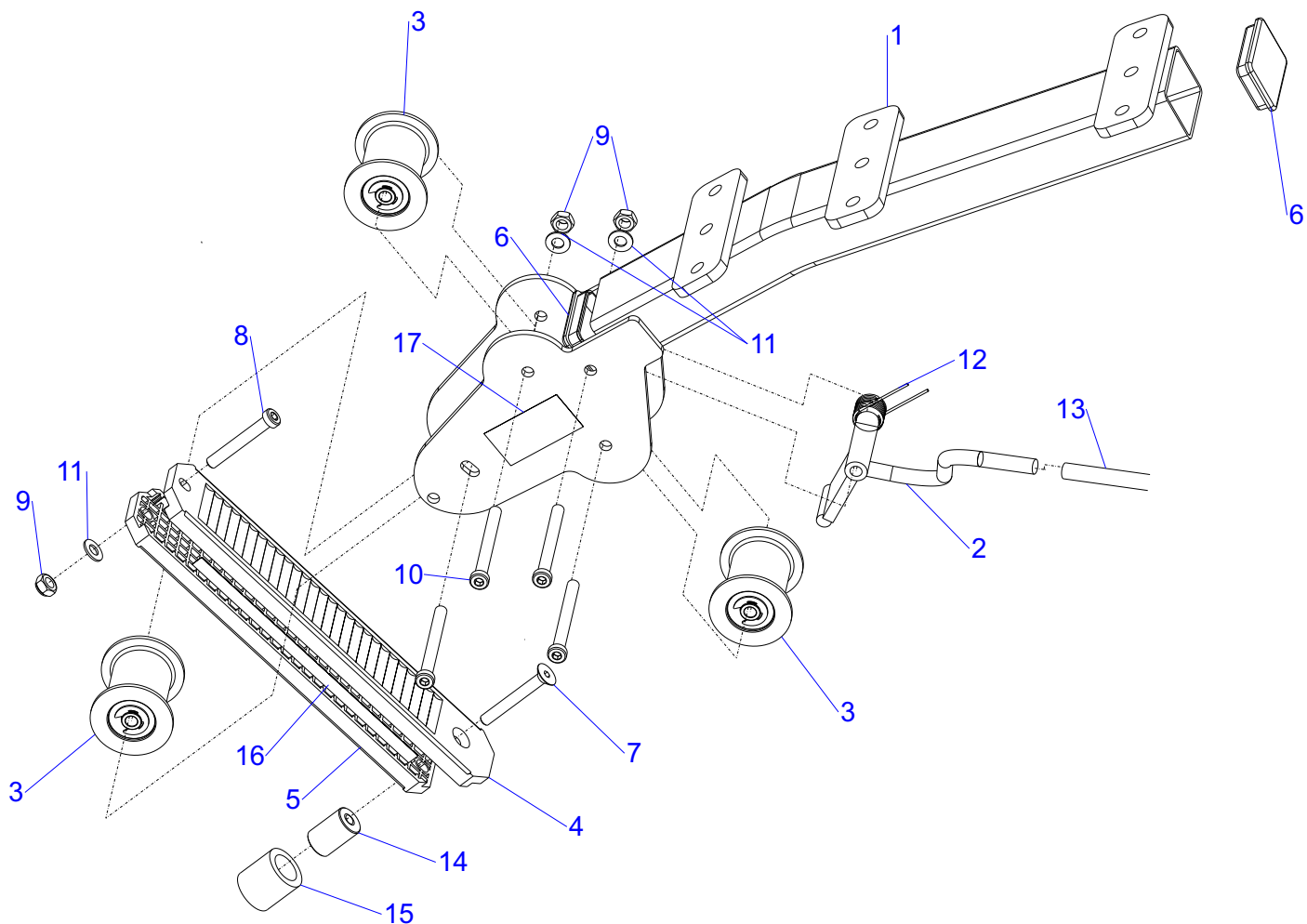


ITEM NO.	QTY.	PART NO.	DESCRIPTION
1	1	7579401	WLDMT, PSSLC SEAT FRAME
2	1	7352201	CAP, END 1-1/2 X 2
3	1	7352301	CAP, END 2 X 3
4	2	7388201	Footpad, PS Rubber

PSSLCSE SEATED LEG CURL THIGH HOLD DOWN ASSEMBLY



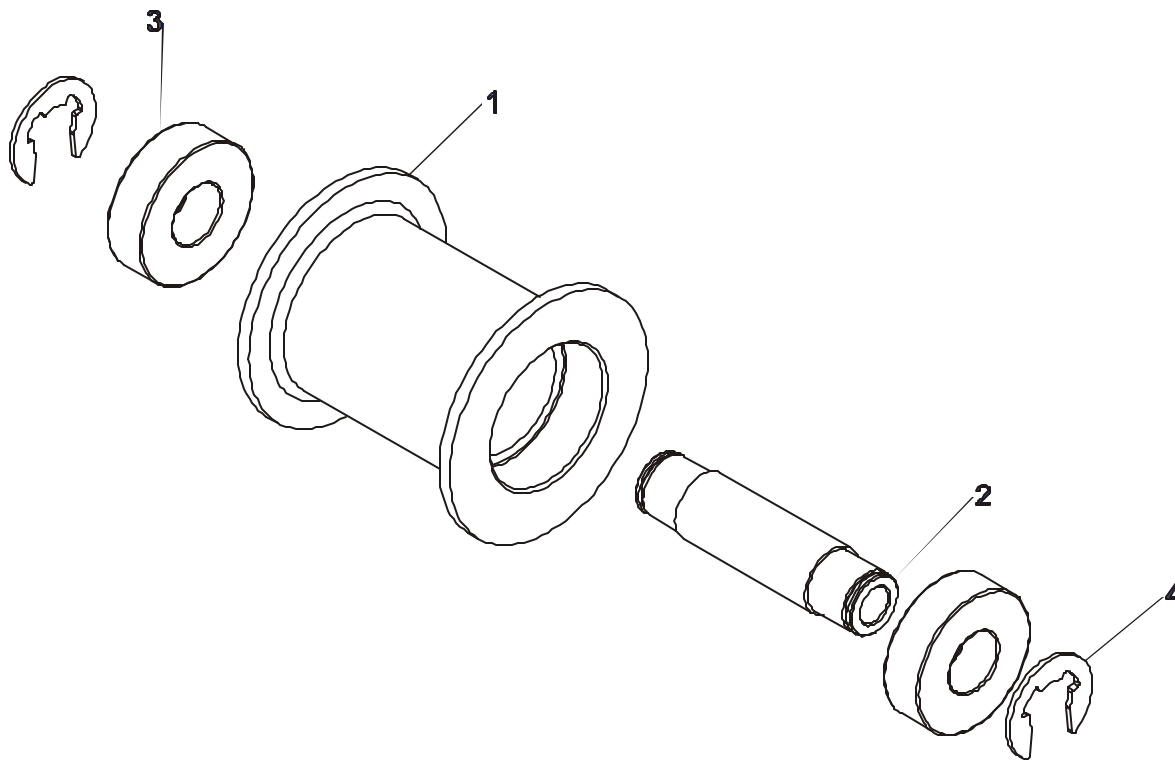
ITEM NO	QTY.	PART NO.	DESCRIPTION
1	1	7580601	WLDMT, PSSLC-THIGH
2	1	7351501	SPRING; PULL PIN LARGE
3	1	7351301	PIN, PULL
4	1	7351401	KNOB, TULIP STYLE
5	3	7352301	CAP, END 2 X 3
6	2	3235801	MTDP GRIP, SHADOW GRAY
7	2	7306901	CAP, GRIP 1.25 OD
8	2	7315601	RING, GRIP 1.25 OD
9	8	3237201	M3 X .5 HXS NO CUP ST BO



ITEM NO.	QTY.	PART NO.	DESCRIPTION
1	1	7387301	WELDMENT, PS-ST6
2	1	7387595	WELDMNT, PS-ROLLER SEAT
3	3	7564201	HANDLE
4	1	7564301	SEATRACK, ROLLER SERRATED
5	1	7564401	SEATRACK, FLAT
6	2	7352301	CAP, END 2 X 3
7	1	3238312	M10x1.5x75mm
8	1	3236211	SCREW, M10 X1.5 70MM
9	5	3236801	NUT, M10 HEX NYLOCK SS
10	4	3236217	SCREW, M10 X1.5 100MM
11	5	3236601	WASHER, 3/8 SAE SS
12	1	7442701	SPRNG, PRO2 HANDLE TORSION
13	1	3238502	CAP, 1/2 X 5/8
14	1	7570601	STOP, ROLLER SEAT
15	1	3235802	GRIP, SHADOW GRAY, 1.5"
16	1	7422002	LABEL, SEAT ADJUST
17	1	7422001	LABEL, SEAT INST

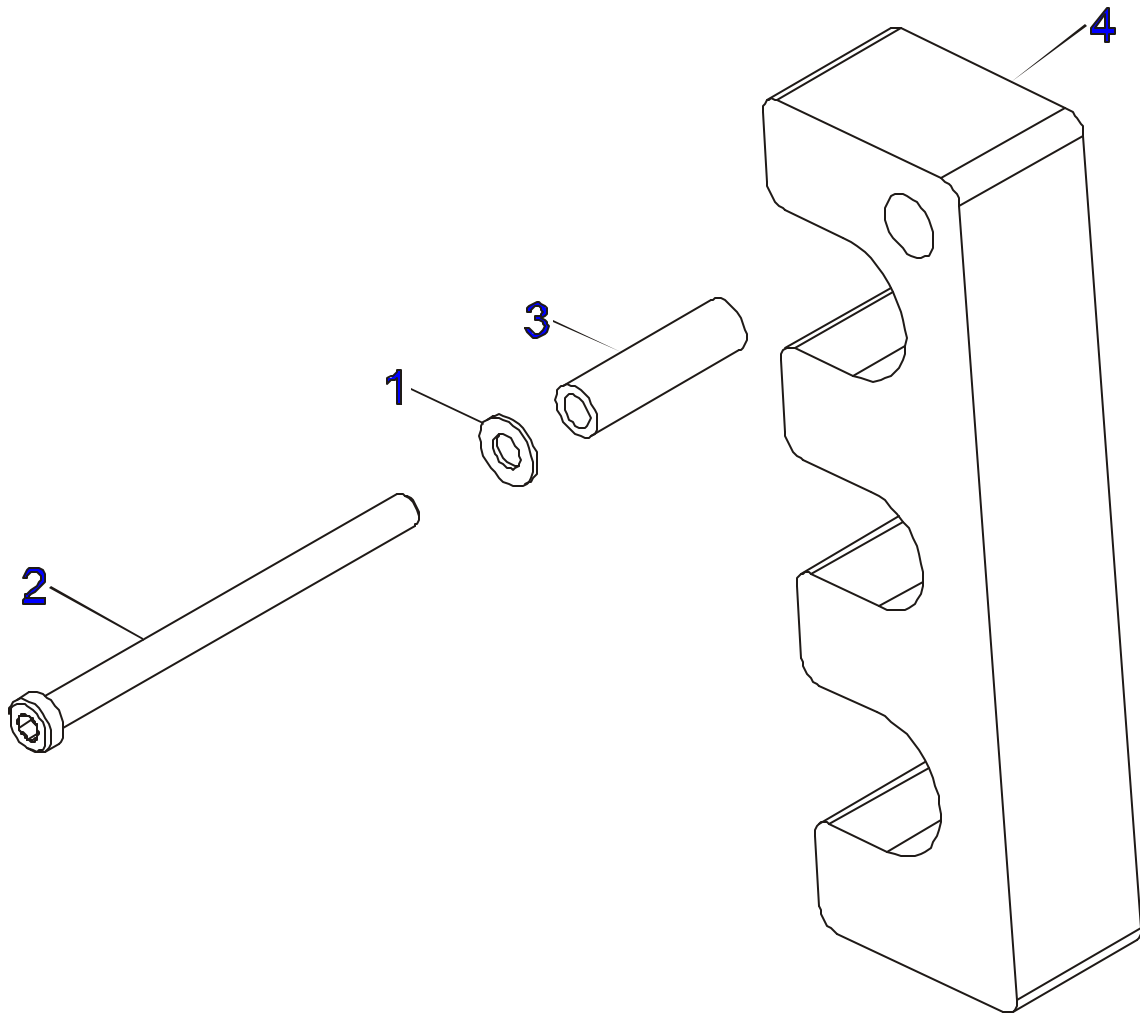
PSSLCSE SEATED LEG CURL

SEAT ROLLER



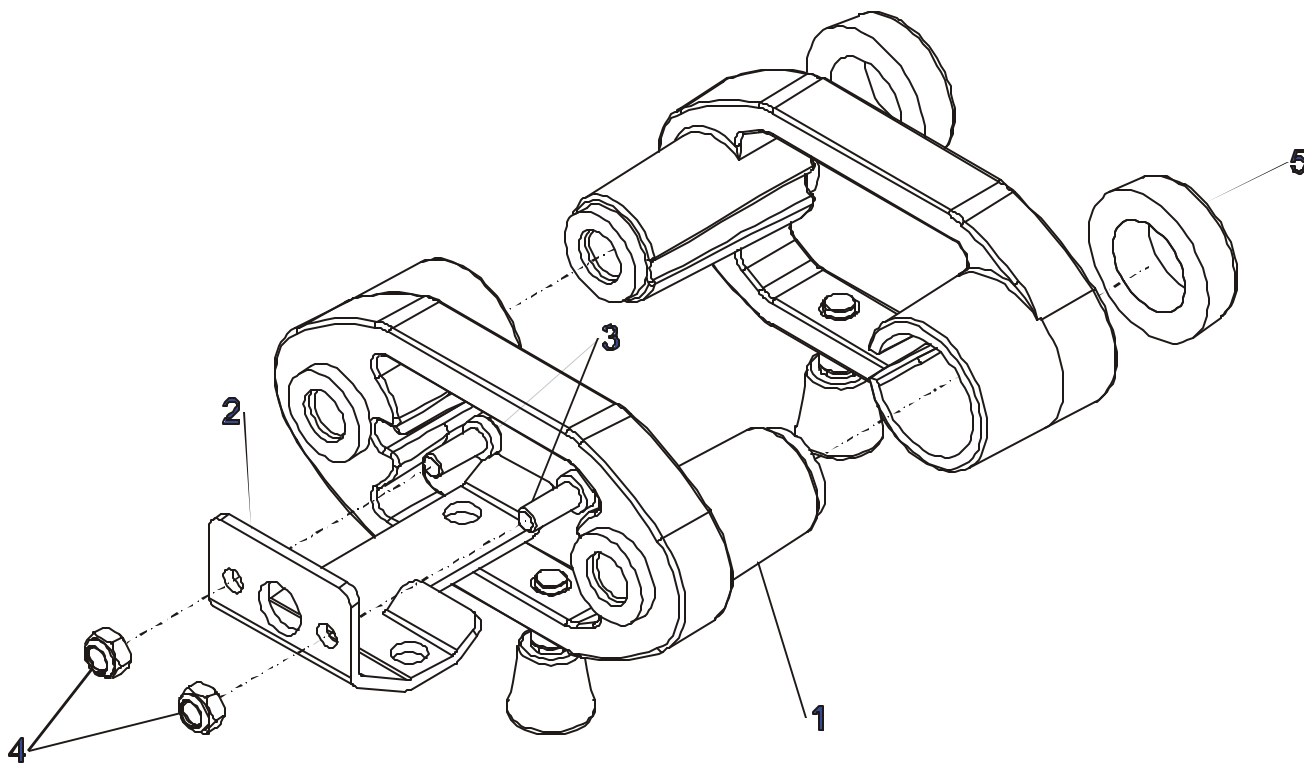
ITEM NO.	QTY.	DESCRIPTION
1	1	GREY MOLDED ROLLER
2	1	SHAFT, BEARING
3	2	6203 BEARING
4	2	17mm ID C-CLIP

PSSLCSE SEATED LEG CURL
ADD ON INCREMENT WEIGHT



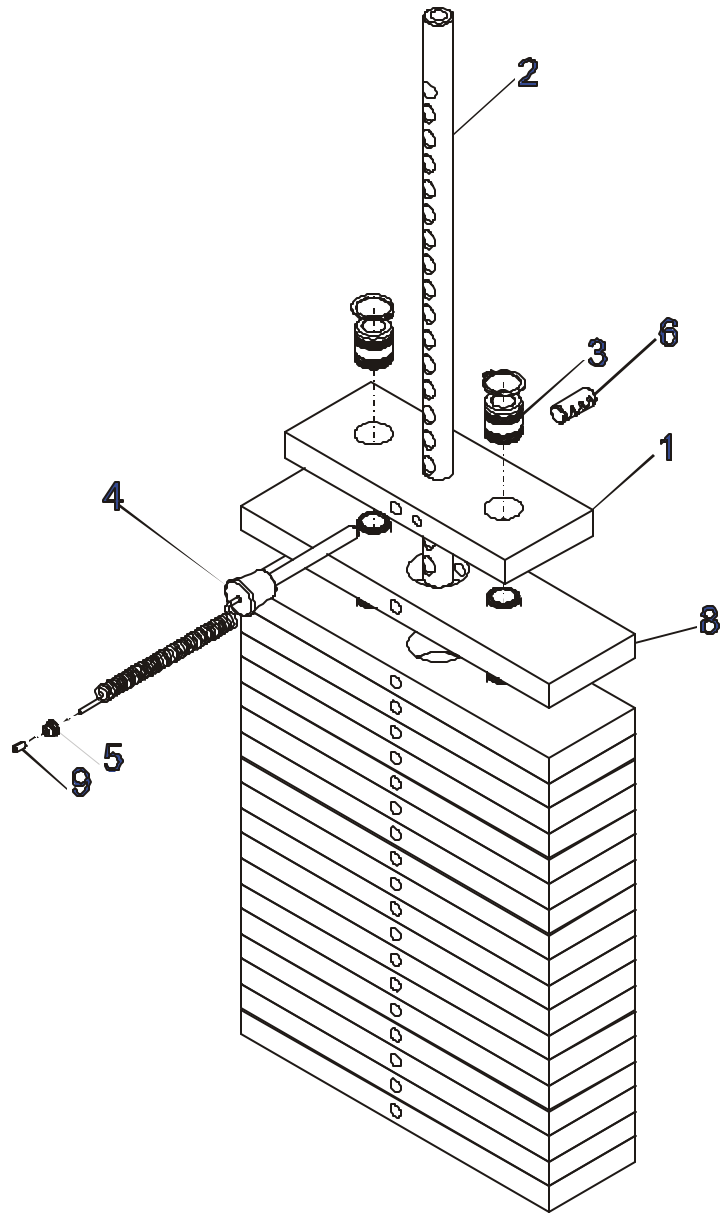
ITEM NO.	QTY.	PART NO.	DESCRIPTION
1	1	3236601	WASHER, 3/8 SAE SS
2	1	3236221	SCREW, M10 X1.5 140MM
3	1	7401701	COVER, PLASTIC PEG 2-1/4
4	1	7366101	WEIGHT, 7.5 LB. ADD-ON

PSSLCSE SEATED LEG CURL INCREMENT WEIGHT W/STRIKER

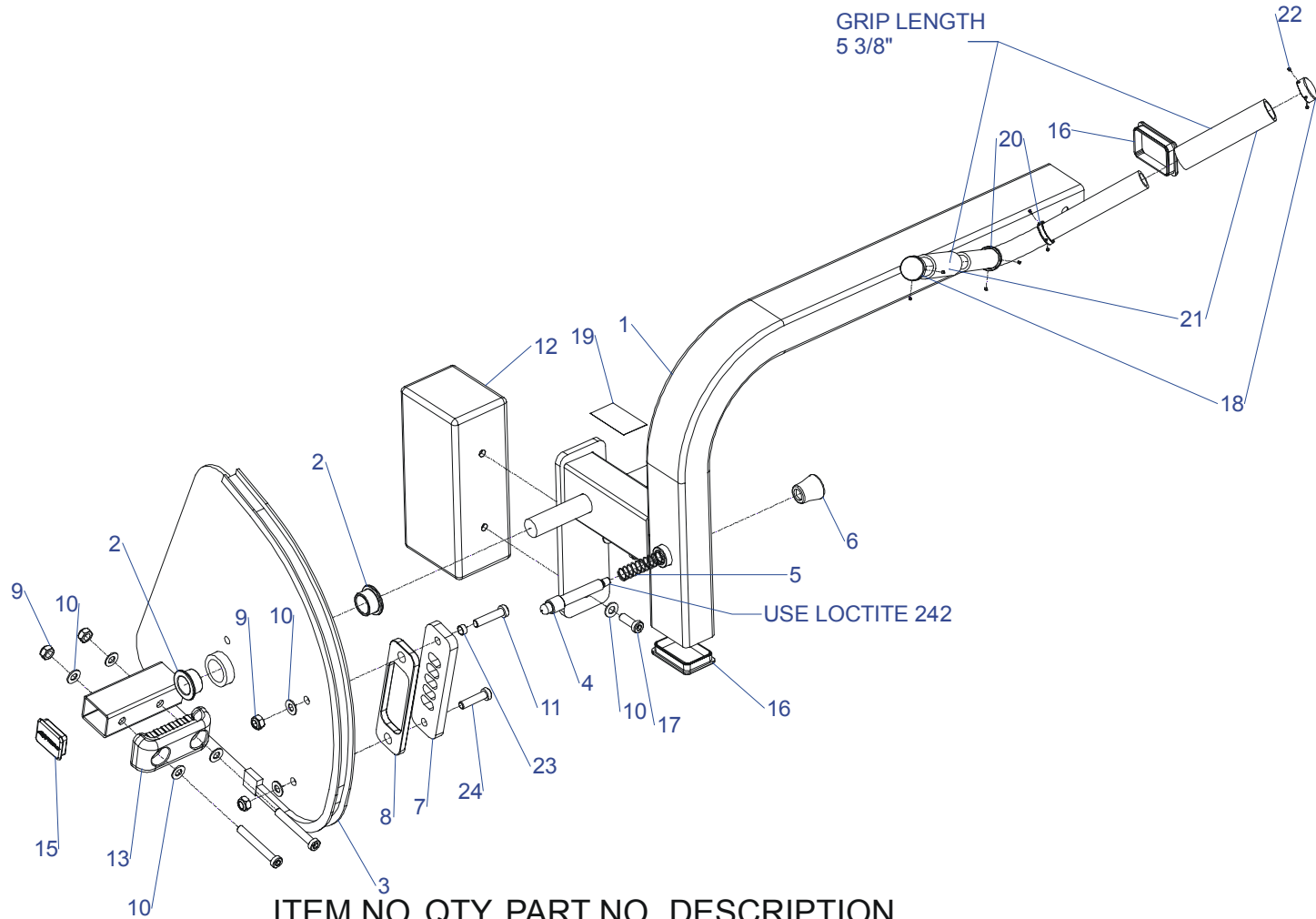


ITEM NO.	QTY.	PART NO.	DESCRIPTION
1	2	7446501	ASSY, 5LB INCREMENT WEIGHT
2	1	7447101	PLATE, INCR. WT STRIKER
3	2	3236202	SCREW, M10 X1.5 25MM
4	2	3236801	NUT, M10 HEX NYLOCK SS
5	2	7597101	BUMPER, PS INCREMENT WT

PSSLCSE SEATED LEG CURL WEIGHT STACK ASSEMBLY



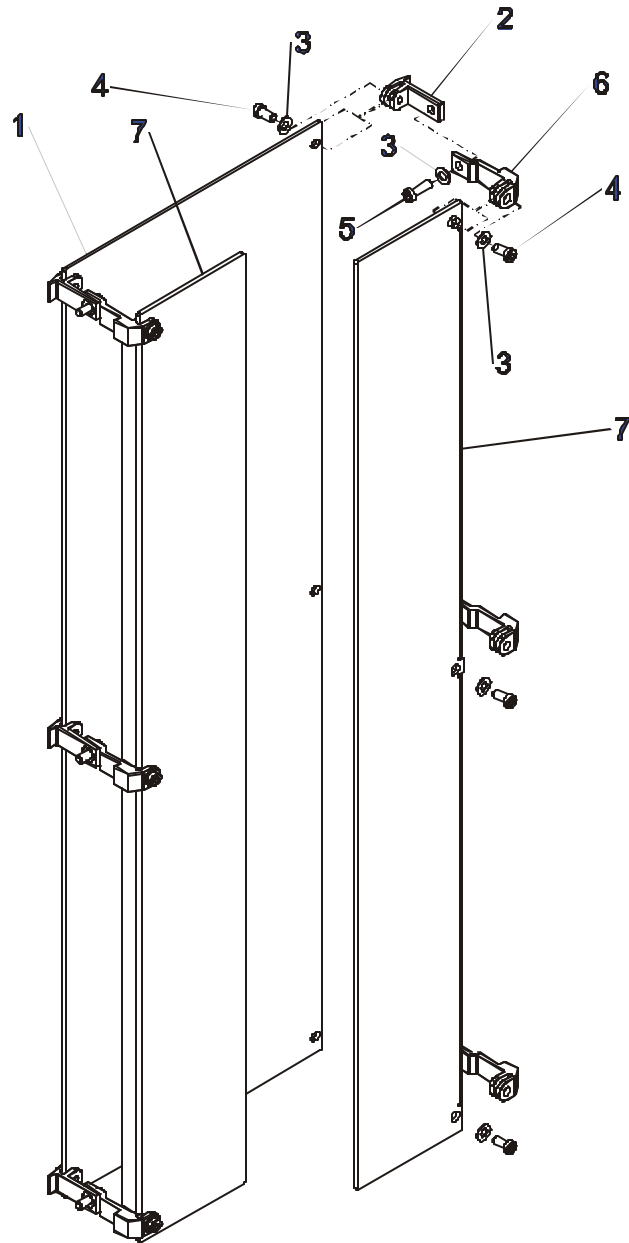
ITEM NO	QTY	PART NO.	DESCRIPTION
1	1	7353901	HEADPLATE, WT. STACK
2	1	7356600	STEM, PRO2 19 HOLE
3	2	7338001	BUSHING, HEADPLATE
4	1	7353001	ASSY, SELECTOR PIN
5	1	7356501	PLUG, LANYARD ATTACHMENT
6	1	3236001	BUSHING, SPRING PIN
8	19	7353801	ASSY, 15 LB PLATE
9	1	7523601	CRIMP, CABLE



ITEM NO. QTY. PART NO. DESCRIPTION

1	1	7457601	WELDMENT, PSAB WORKARM
2	2	3104903	1.00" ID 1.25" OD BRONZ BUSHING
3	1	7458201	WELDMENT, PSAB CAM
4	1	7351301	PIN, PULL
5	1	7351501	SPRING; PULL PIN LARGE
6	1	7351401	KNOB, TULIP STYLE
7	1	7352501	5-HOLE SELECTOR PLATE
8	1	7350901	PLATE, SLOT STOP
9	4	3236801	NUT, M10 HEX NYLOCK SS
10	8	3236601	WASHER, 3/8 SAE SS
11	1	3236206	SCREW, M10 X1.5 45MM
12	1	7365801	WEIGHT, COUNTER LG
13	1	7352001	BUMPER, 2-1/8 X 4-5/8
14	2	3236212	SCREW, M10 X1.5 75MM
15	1	7352201	CAP, END 1-1/2 X 2
16	2	7352301	CAP, END 2 X 3
17	2	3236203	SCREW, M10 X1.5 30MM
18	2	7306901	CAP, GRIP 1.25 OD
19	1	7422003	LABEL, MOVING PARTS
20	2	7315601	RING, GRIP 1.25 OD
21	2	3235801	GRIP, 1.25 OD OPEN END
22	8	3237201	M3 X .5 HXS NO CUP ST BO
23	1	7489402	BSHNG, .500 OD X .402 ID
24	1	3236205	SCREW, M10 X1.5 40MM

PSSLCSE SEATED LEG CURL SHROUD KIT



ITEM NO.	QTY.	PART NO.	DESCRIPTION
1	1	SEE DASH BLOCK	SHIELD REAR 7376802
2	6	7655301	BRACKET, PS REAR
3	18	3236601	WASHER, 3/8 SAE SS
4	12	3236201	SCREW, M10 X1.5 20MM
5	6	3236203	SCREW, M10 X1.5 30MM
6	6	7376601	BRACKET, PS FRONT
7	2	SEE DASH BLOCK	SHIELD FRONT 7376902