

LifeFitness

**PRO SERIES II
PSSLPSE SEATED LEG PRESS**

ASSEMBLY ILLUSTRATION PENDING

**Customer Support Services
PARTS MANUAL**

PSSLPSE SEATED LEG PRESS

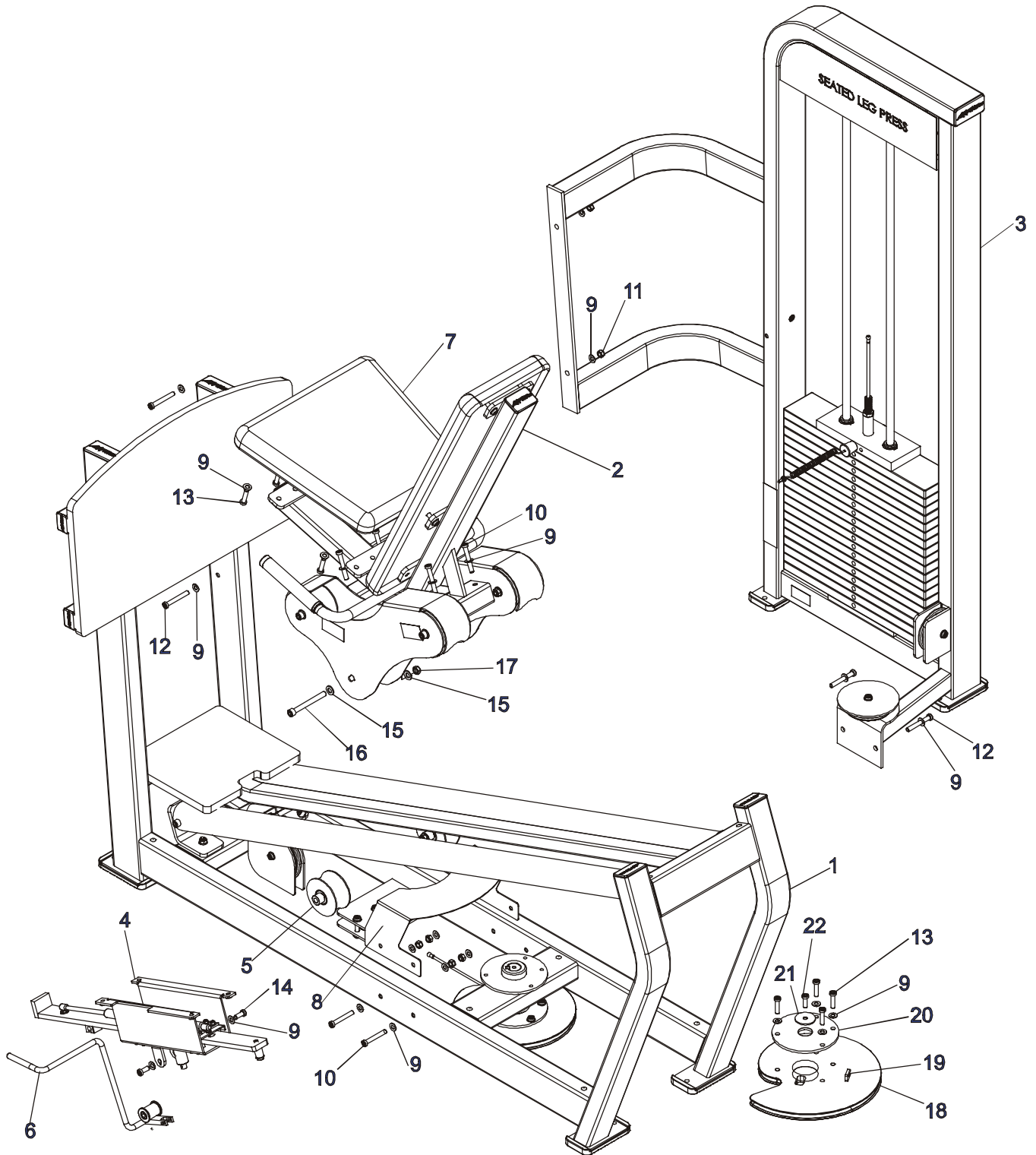
Notes:

PSSLPSE SEATED LEG PRESS

Contents

	PAGE
COMPONENT ASSEMBLY.....	4
COMPONENT CALLOUTS.....	5
SEAT ASSEMBLY	6
SEAT HANDLE ASSEMBLY	7
SIDE FRAME ASSEMBLY.....	8
SIDE FRAME CALLOUTS	9
BASE FRAME ASSEMBLY	10
BASE FRAME CALLOUTS	11
CAM ASSEMBLY.....	12
SEAT ADJUSTMENT ASSEMBLY.....	13
INCREMENT WEIGHT W/STRIKER	14
WEIGHT STACK 390LB	15
SHROUD KIT WIDE-TALL.....	16

PSSLPSE SEATED LEG PRESS COMPONENT ASSEMBLY

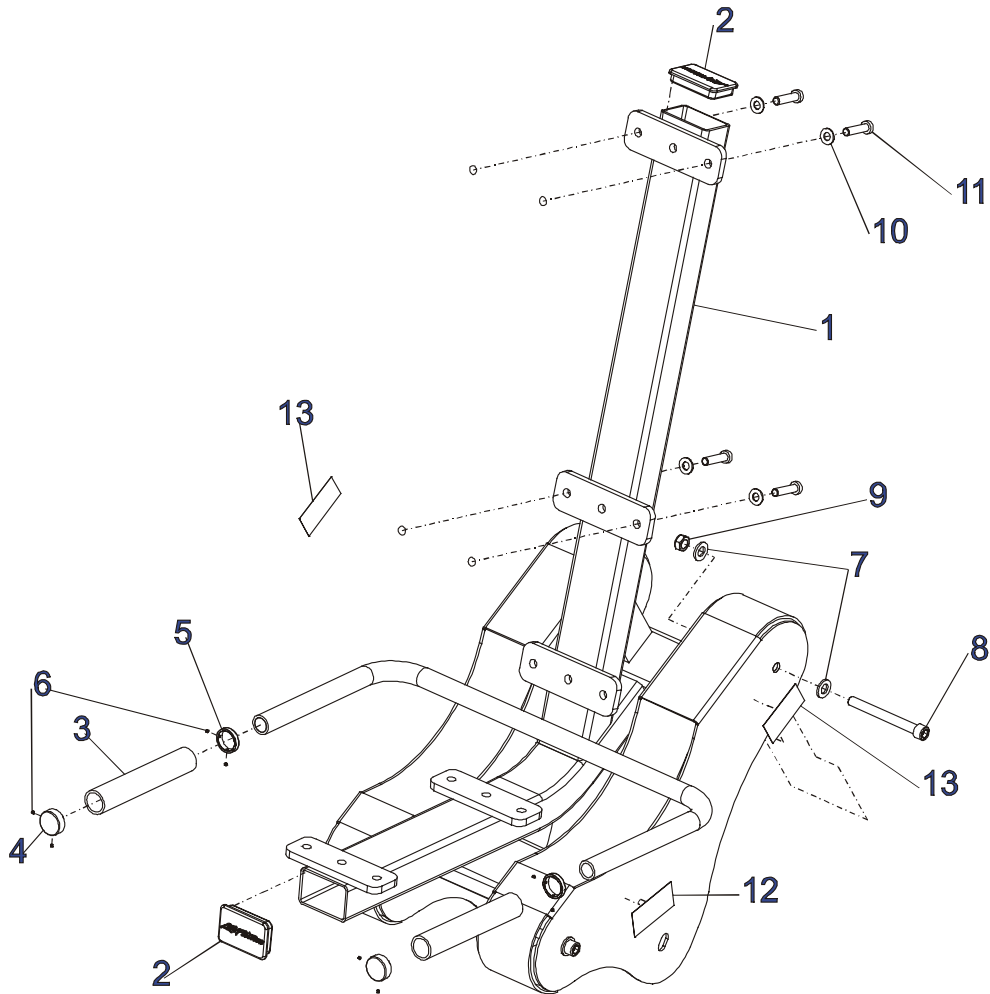


PSSLPSE SEATED LEG PRESS
COMPONENT CALLOUTS

ITEM NO.	QTY.	PART NO.	DESCRIPTION
1	1	7450401	ASSY, PSSLP BASE FRAME
2	1	7450601	ASSY, PSSLP SEAT
3	1	7450501	ASSY, PSSLP SIDE FRAME
4	1	7422901	ASSY, FZ/PS-SLP SEAT ADJ
5	2	3240301	ROLLER ASSY
6	1	7450701	ASSY, PSSLP SEAT HANDLE
7	1	7399101item	PAD, SEAT 17 X 18-5/8
8	1	7409801	SHEILD, CAMS
9	26	3236601	WASHER, 3/8 SAE SS
10	6	3236211	SCREW, M10 X1.5 70MM
11	6	3236801	NUT, M10 HEX NYLOCK SS
12	4	3236212	SCREW, M10 X1.5 75MM
13	8	3236205	SCREW, M10 X1.5 40MM
14	2	3236202	SCREW, M10 X1.5 25MM
15	4	3241401	WASHER, FLAT 12MM SS
16	2	3241319	SCREW, M12 X1.75 110MM
17	2	3236803	NUT, M12 HEX NYLOCK SS
18	1	7414501	CAM, FZ/PS-SLP OBLONG
19	1	7342201	PLATE, CABLE END
20	1	7511201	PLATE, FZ/PS-SLP TORQUE
21	1	7322301	PLATE, 1.97 OD X .44 ID 10GA
22	1	3236203	SCREW, M10 X1.5 30MM

PSSLPSE SEATED LEG PRESS

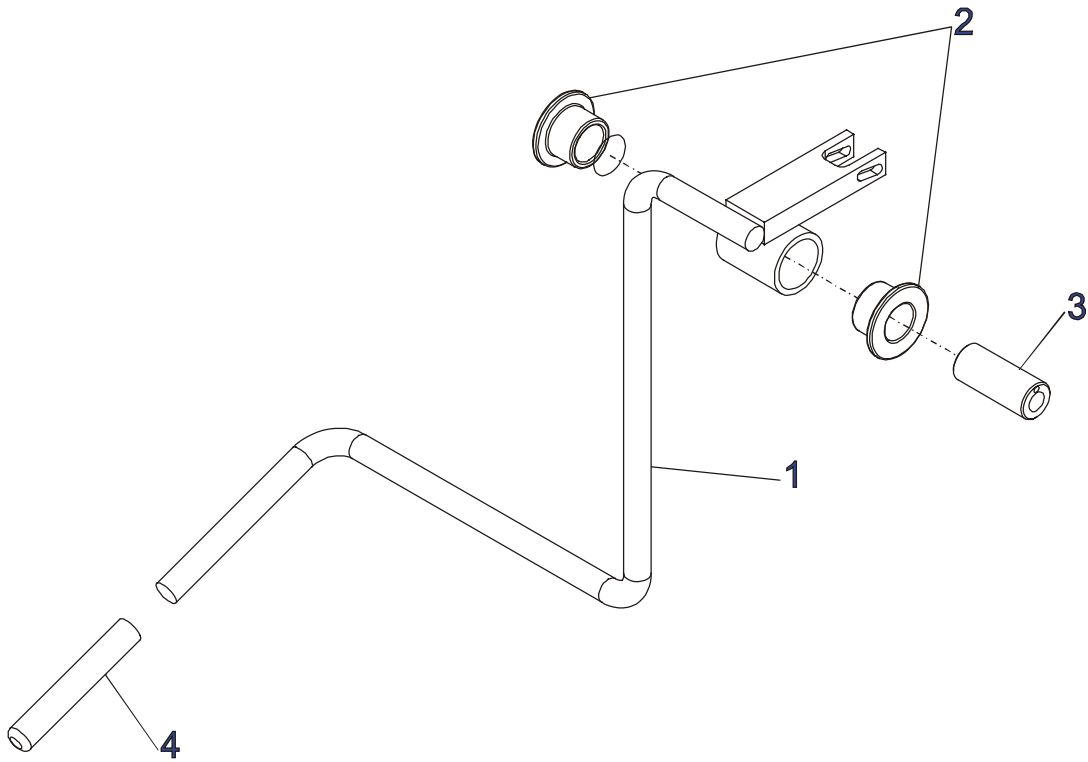
SEAT ASSEMBLY



ITEM NO.	QTY.	PART NO.	DESCRIPTION
1	1	7448701	WLDMT, PSSLP CARRIAGE
2	2	7352301	CAP, END 2 X 3
3	2	3235801	GRIP, 1.25 OD OPEN END
4	2	7306901	CAP, GRIP 1.25 OD
5	2	7315601	RING, GRIP 1.25 OD
6	8	3237201	M3 X .5 HXS NO CUP ST
7	8	3241401	WASHER, FLAT 12MM SS
8	4	3241319	SCREW, M12 X1.75 110MM
9	4	3236803	NUT, M12 HEX NYLOCK
10	4	3236601	WASHER, 3/8 SAE SS
11	4	3236205	SCREW, M10 X1.5 40MM
12	1	7422001	LABEL, SEAT INST
13	2	7422003	LABEL, MOVING PARTS

PSSLPSE SEATED LEG PRESS

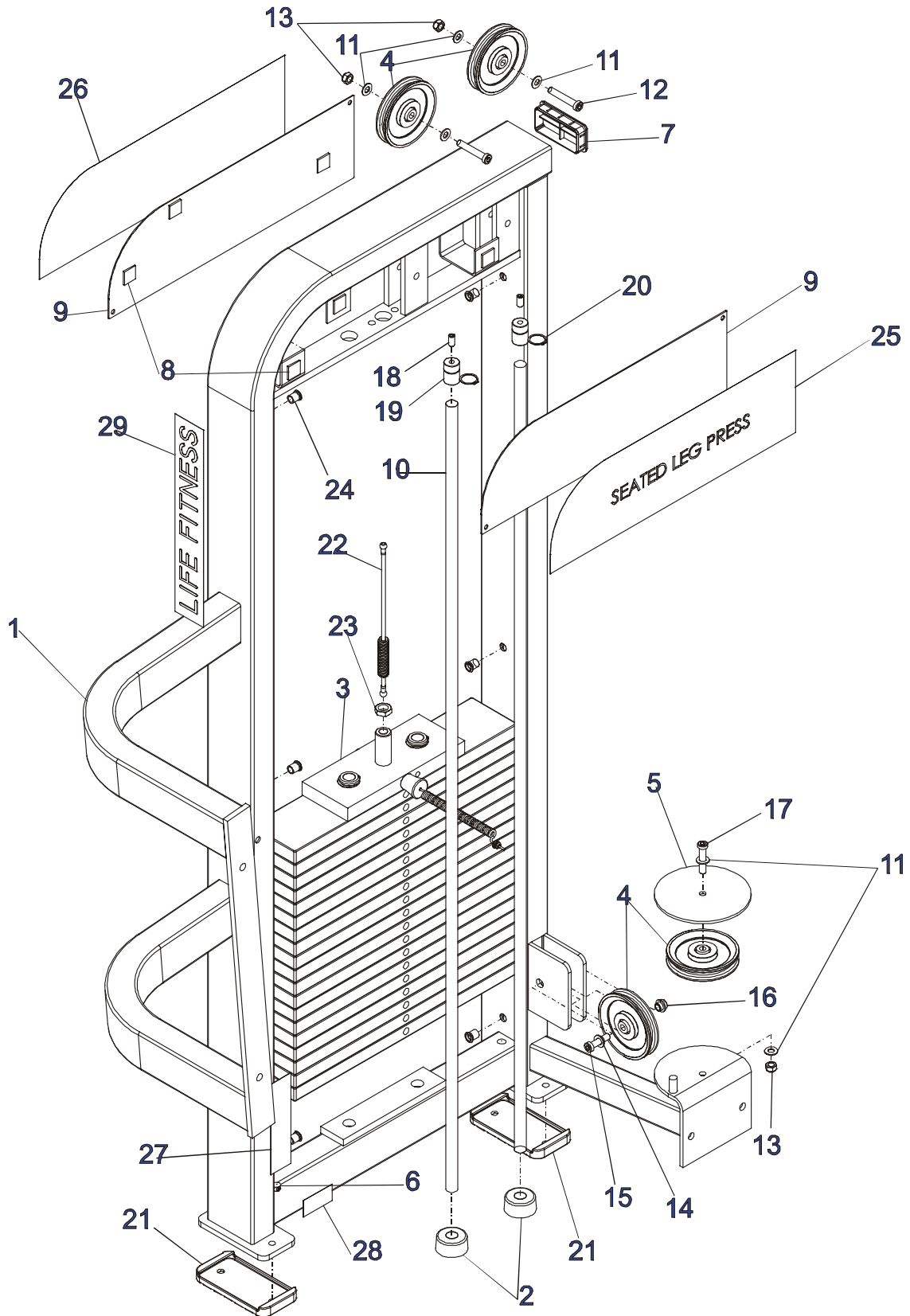
SEAT HANDLE ASSEMBLY



ITEM NO.	QTY.	PART NO.	DESCRIPTION
1	1	7412201	WLDMT, FZ/PS-SLP LEVER
2	2	3104901	.75" ID 1.00" OD BRONZE
3	1	7324802	BUSHING
4	1	3238502	CAP, 1/2 X 5/8

PSSLPSE SEATED LEG PRESS

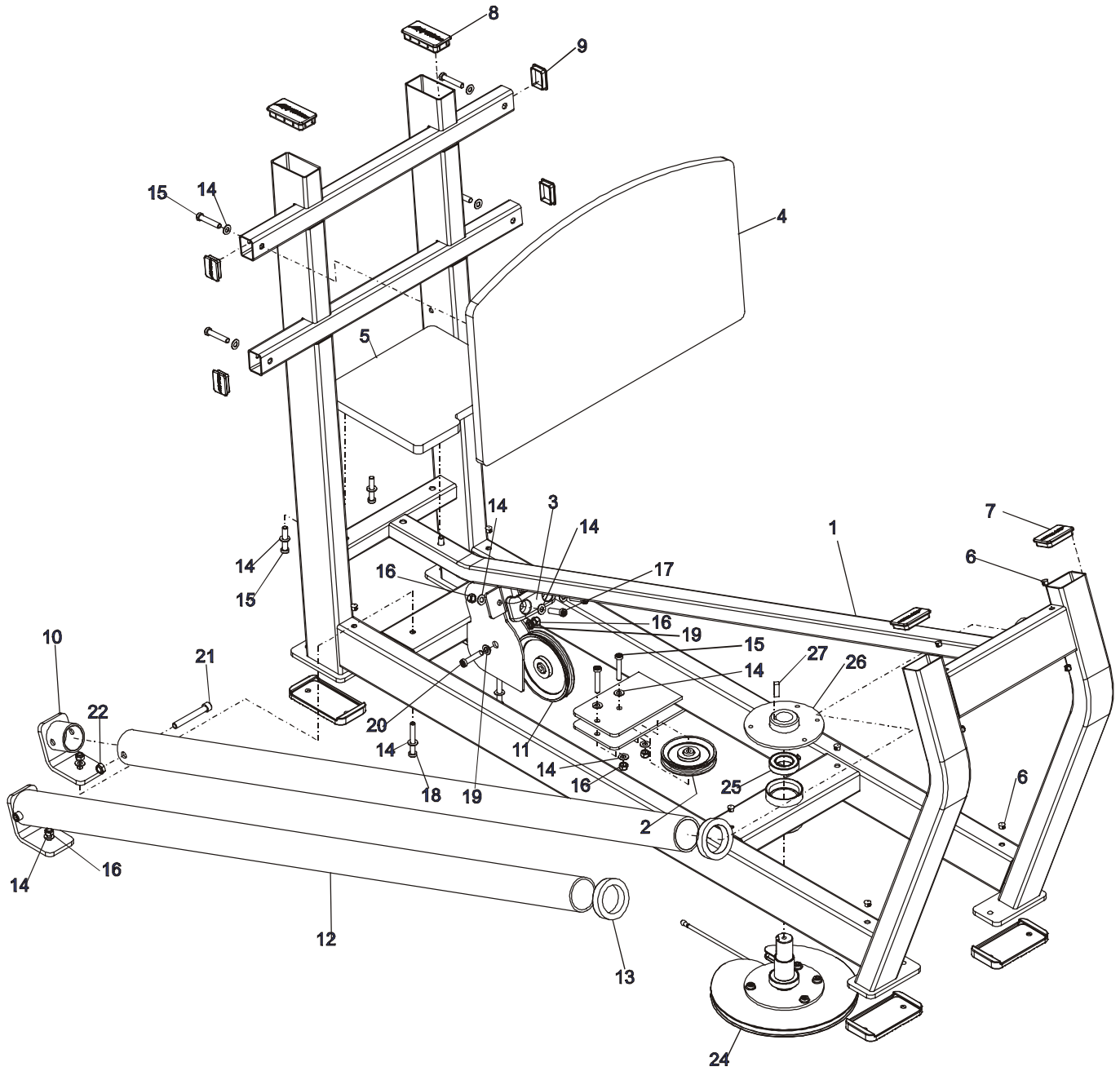
SIDE FRAME ASSEMBLY



PSSLPSE SEATED LEG PRESS
SIDE FRAME CALLOUTS

ITEM NO.	QTY.	PART NO.	DESCRIPTION
1	1	7449201	WLDMT, SIDE FRAME
2	2	7352101	CUSHION, WEIGHT STACK
3	1	7353601	ASSY, 390LB STACK
4	4	3237801	PULLEY, 4.5" OD
5	1	7301101	PLATE, PULLEY
6	2	3237401	PLUG, 7/16" HOLE
7	1	7352401	CAP, END 2 X 4
8	12	7544201	PAD, DUAL LOC 400, 1" X 1"
9	2	7353202	COVER, STACK WIDE
10	2	7328606	GUIDE ROD, .75 OD SOLID 59.63
11	6	3236601	WASHER, 3/8 SAE SS
12	2	3236209	SCREW, M10 X1.5 60MM
13	3	3236801	NUT, M10 HEX NYLOCK SS
14	1	7348101	WASHER, SPACER
15	1	3236205	SCREW, M10 X1.5 40MM
16	1	7335401	NUT, M10 X 1.5 SOCKET HEAD
17	1	3236207	SCREW, M10 X1.5 50MM
18	2	3240501	M10 X 1.5 HXS NO CUP ST BO
19	2	7402301	RETAINER, GUIDEROD
20	2	3232421	RING, BRE .940, 5100-100
21	2	7388201	Footpad, PS Rubber
22	1	7423707	CABLE, PSSLP-1
23	1	3236902	NUT, M16 X 2 HEX JAM SS
24	6	3238101	NUT, BLIND INSERT M10 X 1.5
25	1	7490201	LABEL, PSSLP PLACARD
26	1	7491301	LABEL, PSSLP LOGO PANEL
27	1	7422004	LABEL, 2" ASTM WARN
28	1	7422007	LABEL, SERIAL NO
29	1	7348001	LABEL, LIFE FITNESS LOGO

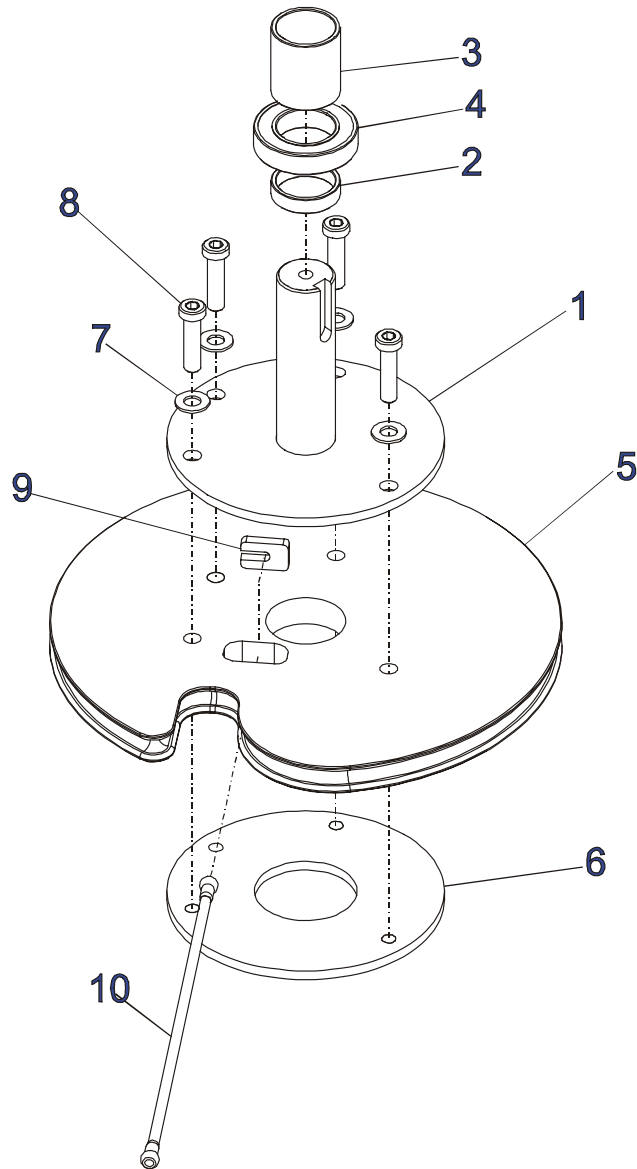
PSSLPSE SEATED LEG PRESS BASE FRAME ASSEMBLY



PSSLPSE SEATED LEG PRESS
BASE FRAME CALLOUTS

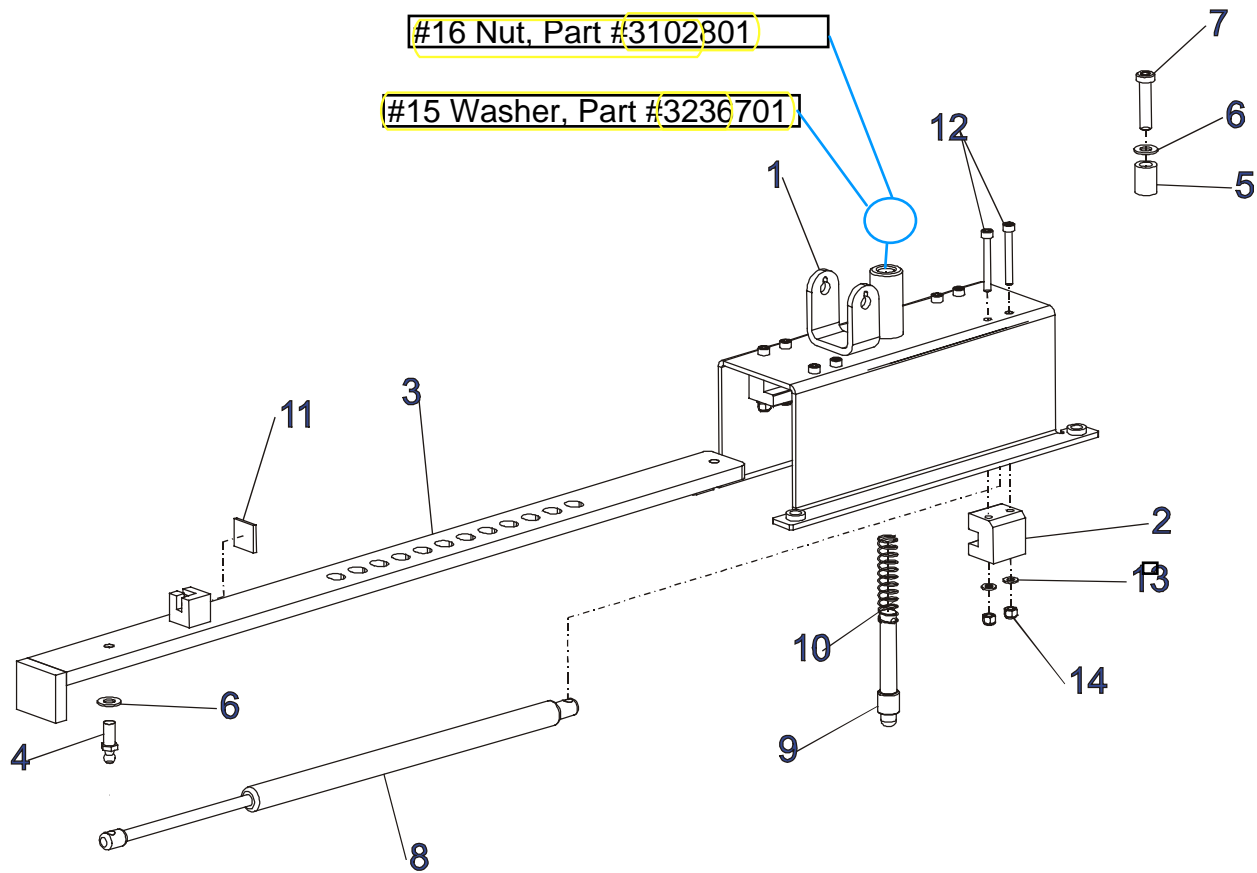
ITEM NO.	QTY.	PART NO.	DESCRIPTION
1	1	7447201	WLDMT, PSSLP MAIN FRAME
2	1	3237801	PULLEY, 4.5" OD
3	1	7352001	BUMPER, 2-1/8 X 4-5/8
4	1	7450901	BOARD, PSSLP LINEXED
5	1	7494301	BOARD, PSSLP LINEXED
6	10	3237401	PLUG, 7/16" HOLE
7	2	7352301	CAP, END 2 X 3
8	2	7352401	CAP, END 2 X 4
9	4	7352201	CAP, END 1-1/2 X 2
10	2	7408801	WLDMT,FZ/PS-SLP RAIL BRKT
11	1	3239601	PULLEY, 6" OD x 10MM ID
12	2	7409401	PIPE,FZ/PS-2.5 SCH 40 S.S
13	2	7444601	BUMBER, DONUT
14	19	3236601	WASHER, 3/8 SAE SS
15	9	3236208	SCREW, M10 X1.5 55MM
16	7	3236801	NUT, M10 HEX NYLOCK SS
17	2	3236205	SCREW, M10 X1.5 40MM
18	2	3236212	SCREW, M10 X1.5 75MM
19	2	7348101	WASHER, SPACER
20	1	3236207	SCREW, M10 X1.5 50MM
21	2	3241315	SCREW, M12 X1.75 90MM
22	2	3236803	NUT, M12 HEX NYLOCK SS
23	4	7388201	Footpad, PS Rubber
24	1	7511801	ASSY, FZ/PS-SLP RND CAM
25	1	3243201	BEARING, 6007 BALL
26	1	7511301	WLDMT,FZ/PS-SLP HUB
27	1	7511601	KEY, .375 SQUARE X 1.25

PSSLPSE SEATED LEG PRESS CAM ASSEMBLY



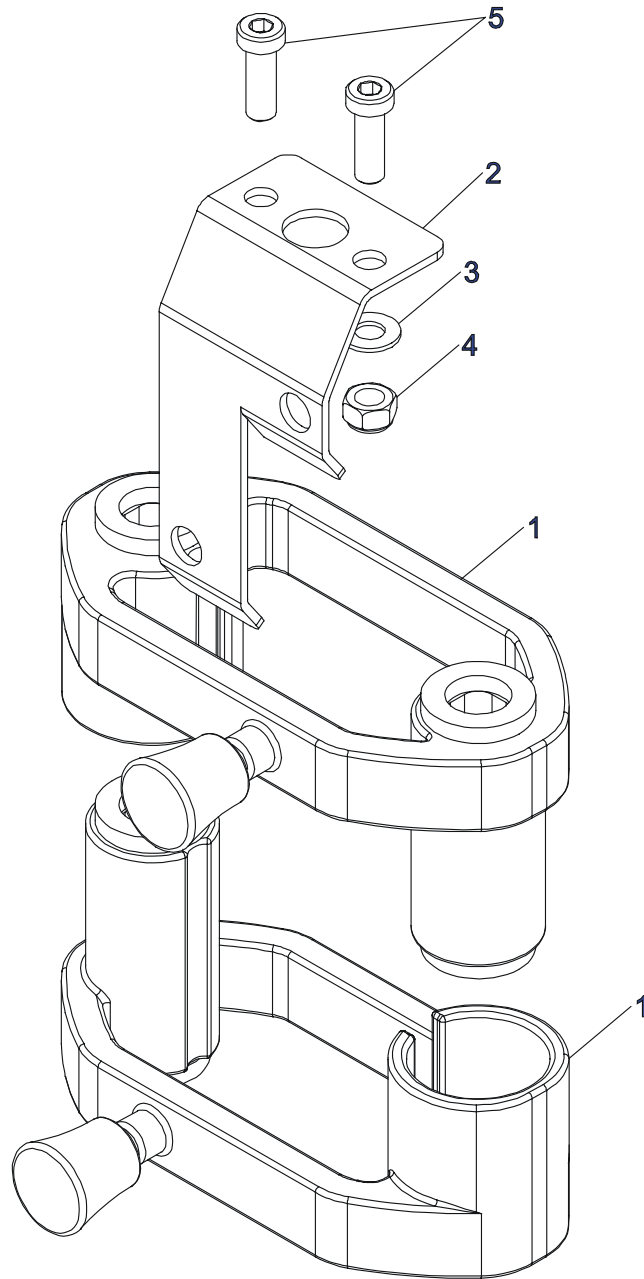
ITEM NO.	QTY.	PART NO.	DESCRIPTION
1	1	7511401	WLDMT, FZ/PS-SLP CAM
2	1	7511501	SPACER, FZ/PS INTERNAL
3	1	7511502	SPACER, FZ/PS INTERNAL
4	1	3243201	BEARING, 6007 BALL
5	1	7414401	CAM, FZ/PS-SLP RND
6	1	7511101	PLATE, FZ/PS-SLP-CAM THRD
7	4	3236601	WASHER, 3/8 SAE SS
8	4	3236205	SCREW, M10 X1.5 40MM
9	1	7342201	PLATE, CABLE END
10	1	7423803	CABLE, PSSLP-2

PSSLPSE SEATED LEG PRESS SEAT ADJUSTMENT ASSEMBLY



ITEM NO.	QTY.	PART NO.	DESCRIPTION
1	1	7409001	WLDMT, FZ/PS-SLP SEAT ADJ.
2	4	7409201	BLOCKS,FZSLP-NYLON
3	1	7409502	WLDMT, FZ/PS-SLP ADJ PLATED
4	1	7414301	STUD, M10 BALL END M10 X 1.5
5	1	7354301	SPACER, 7/16 ID X 1 OD X 1
6	2	3236601	WASHER, 3/8 SAE SS
7	1	3236206	SCREW, M10 X1.5 45MM
8	1	3239401	SPRING,GAS-135N- 300
9	1	7409701	PIN,FZ/PS- ADJ.
10	1	7351501	SPRING; PULL PIN LARGE
11	1	6140701	GLIDE 1 X 1
12	8	3241707	SCREW, M6 X1 50MM
13	8	3241801	WASHER, FLAT 6MM SS
14	8	3236802	NUT, M6 HEX NYLOCK SS
15	1-	3236701	Washer
16	1-	3102802	Nut

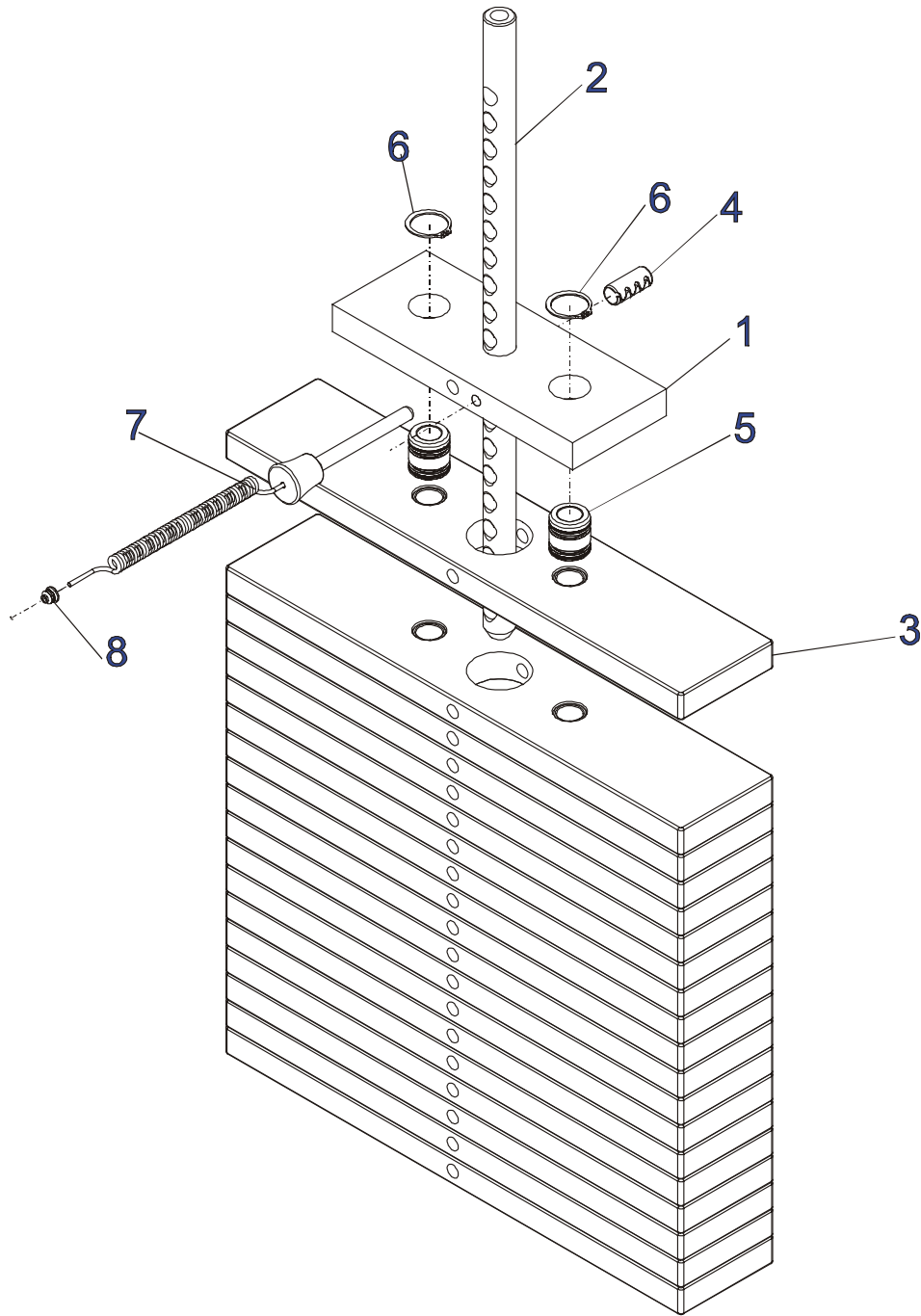
PSSLPSE SEATED LEG PRESS INCREMENT WEIGHT W/STRIKER



ITEM NO.	QTY.	PART NO.	DESCRIPTION
1	2	7446501	ASSY, 5LB INCREMENT WEIGHT
2	1	7447101	PLATE, INCR. WT STRIKER
3	2	3236601	WASHER, 3/8 SAE SS
4	2	3236801	NUT, M10 HEX NYLOCK SS
5	2	3236203	SCREW, M10 X1.5 30MM

PSSLPSE SEATED LEG PRESS

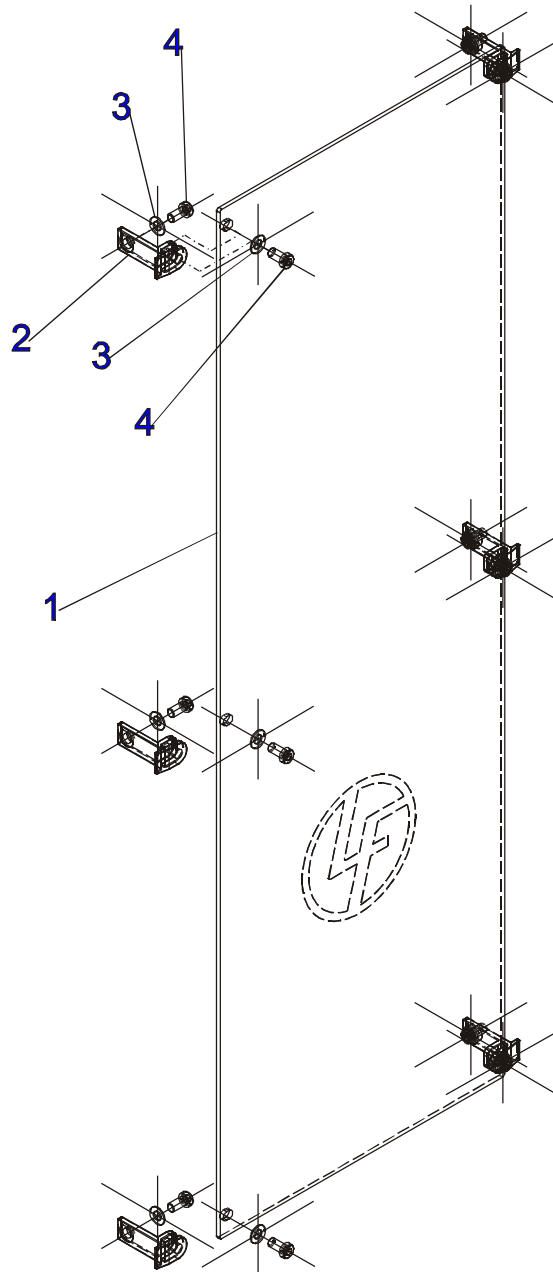
WEIGHT STACK ASSY 390LB



ITEM NO	QTY	PART NO.	DESCRIPTION
1	1	7353901	HEADPLATE, WT. STACK
2	1	7356600	STEM, PRO2 19 HOLE
3	19	7328401	WEIGHT PLATE, 20 LB
4	1	3236001	BUSHING, SPRING PIN
5	2	7338001	BUSHING, HEADPLATE
6	2	N/A	SNAP RING, BSHNG
7	1	7353001	ASSY, SELECTOR PIN
8	1	7356501	PLUG, LANYARD ATTACHMENT

PSSLPSE SEATED LEG PRESS

SHROUD KIT WIDE-TALL



ITEM NO.	QTY.	PART NO.	DESCRIPTION
1	1	7376805	SHIELD, PS REAR
2	6	7655301	BRACKET, PS REAR
3	12	3236601	SHIELD
4	12	3236201	SCREW, M10 X1.5 20MM