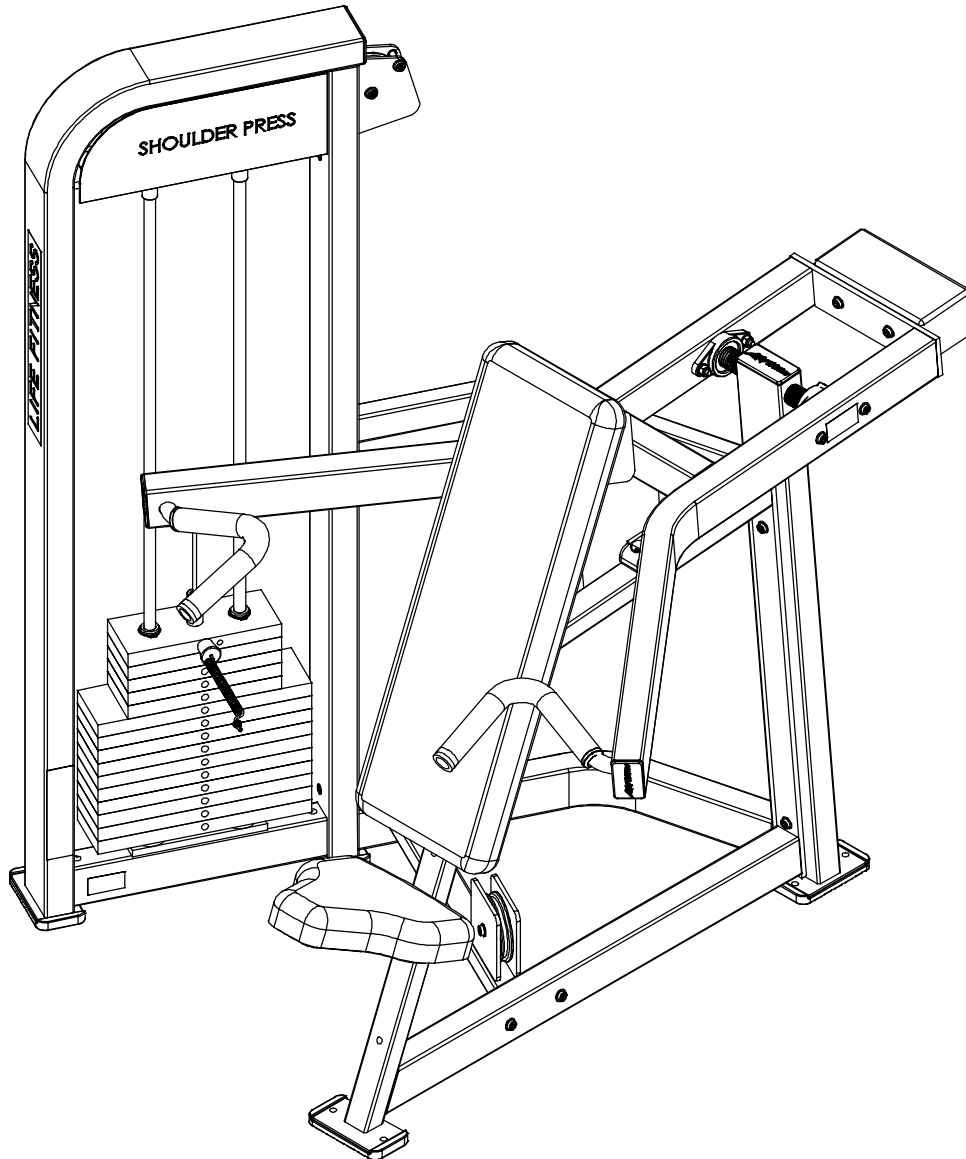


LifeFitness

PRO SERIES II PSSPSE SHOULDER PRESS



Customer Support Services ***PARTS MANUAL***

PSSPSE SHOULDER PRESS

Notes:

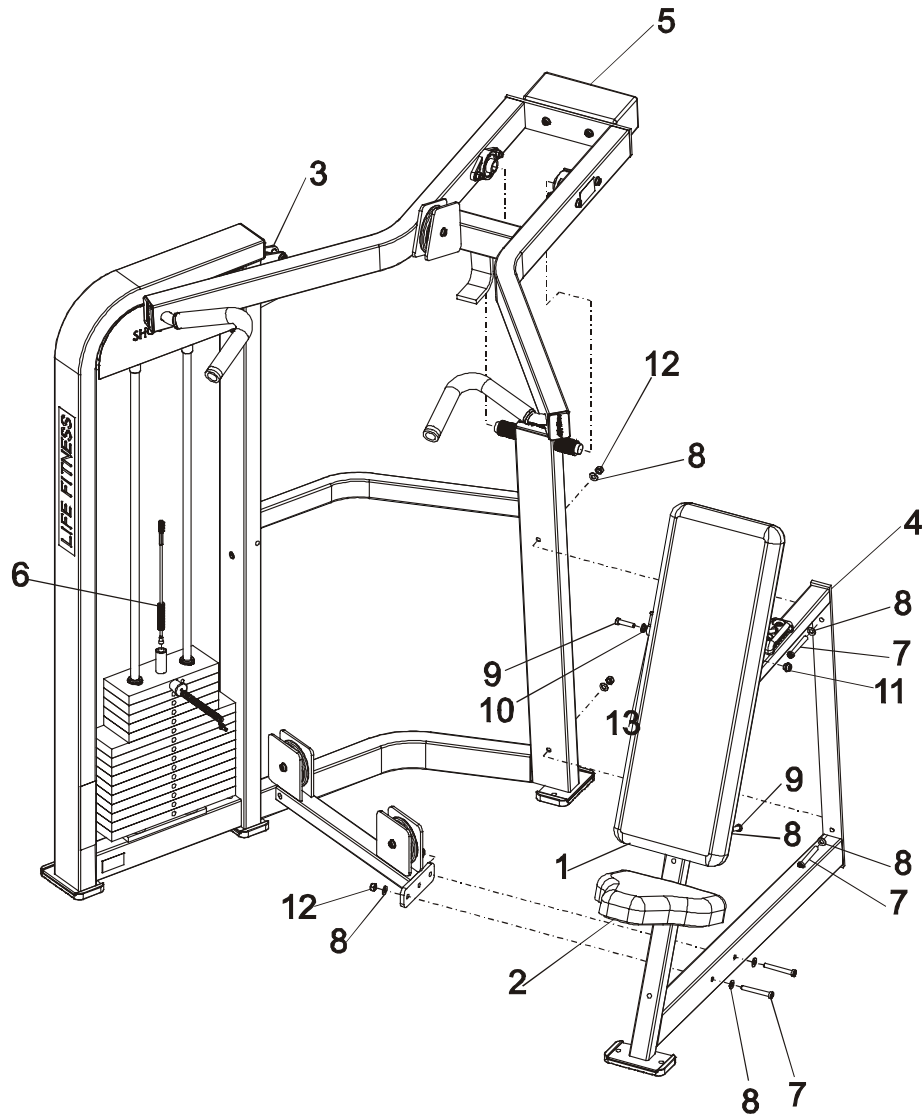
PSSPSE SHOULDER PRESS

Contents

	PAGE
COMPONENT ASSEMBLY.....	4
MOVEMENT ARM ASSEMBLY	5
SEAT FRAME ASSEMBLY.....	6
SIDE FRAME ASSEMBLY.....	7
SHROUD KIT STD-MED	8
INCREMENT WEIGHT W/STRIKER	9
97 DEGREE ROLLER SEAT ASSEMBLY	10
WEIGHT STACK 200LB	11

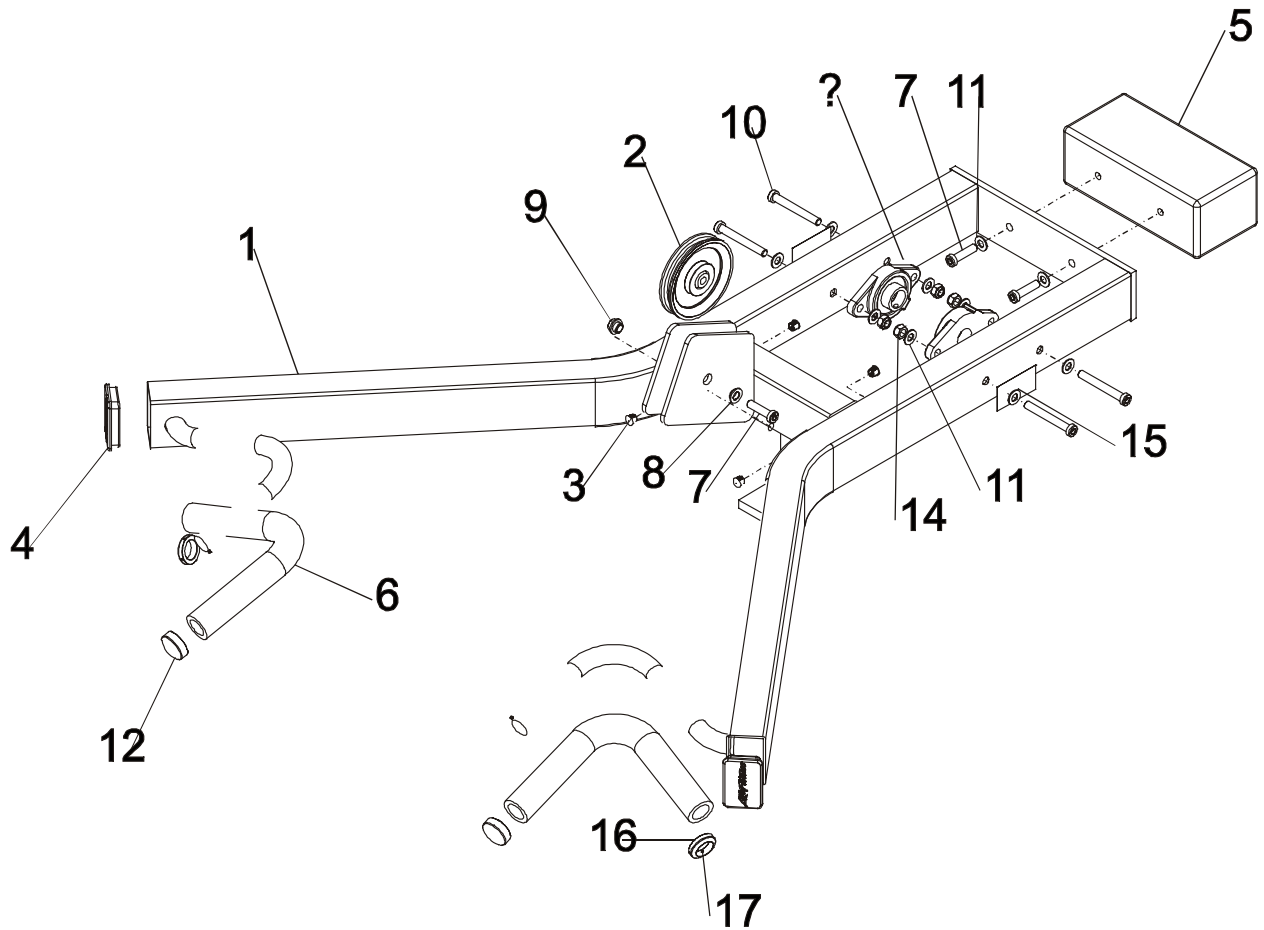
PSSPSE SHOULDER PRESS

COMPONENT ASSEMBLY



ITEM NO	QTY	PART NO	DESCRIPTION
1	1	7354001	PAD, BACK 32-1/2 X 11-1/4
2	1	7351901	PAD, SADDLE
3	1	7439001	ASSY, PSSP SIDE FRAME
4	1	7439101	ASSY, PSSP SEAT FRAME
5	1	7439201	ASSY, PSSP MOVEMENT ARM
6	1	7423608	CABLE, PSSP
7	4	3236212	SCREW, M10 X1.5 75MM
8	12	3236601	WASHER, 3/8 SAE SS
9	5	3236205	SCREW, M10 X1.5 40MM
10	1	7348101	WASHER, SPACER
11	1	7335401	NUT, M10 X 1.5 SOCKET HEAD
12	4	3236801	NUT, M10 HEX NYLOCK SS
13	1	3237901	ROD END, METRIC FEMALE

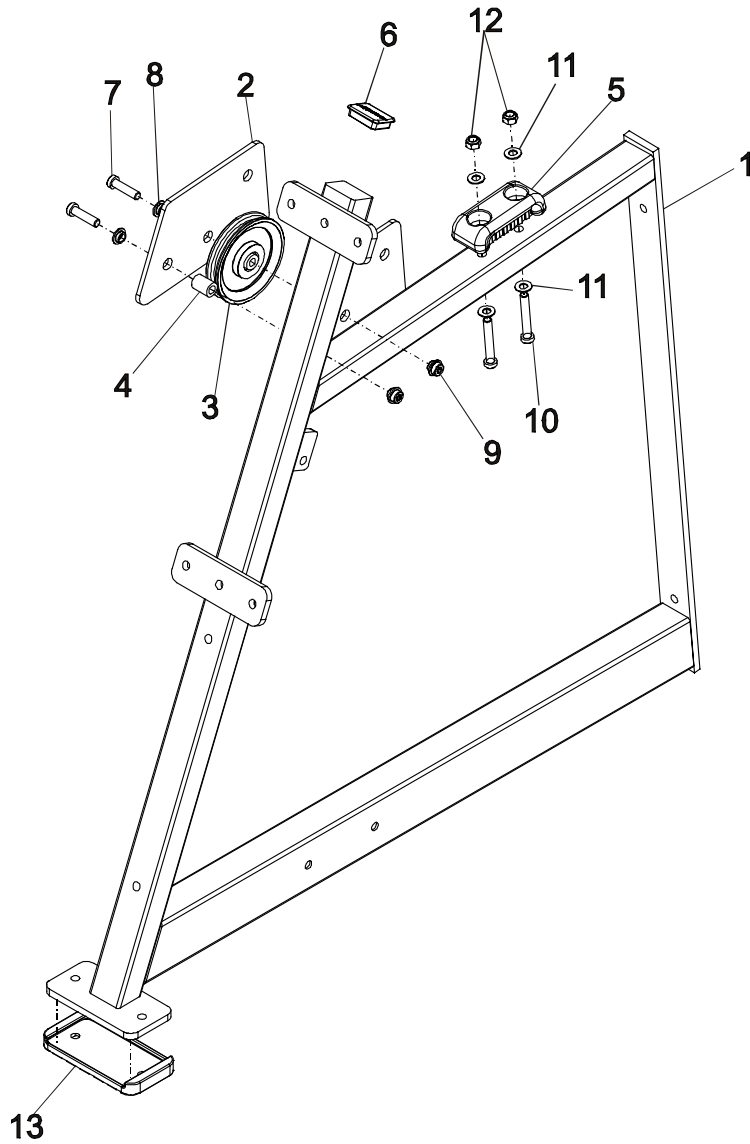
PSSPSE SHOULDER PRESS MOVEMENT ARM ASSEMBLY



ITEM NO.	QTY.	PART NO.	DESCRIPTION
1	1	7379401	WLDMT, PSSP MOVEMENT ARM
2	1	3237801	PULLEY, 4.5" OD
3	4	3237401	PLUG, 7/16" HOLE
4	2	7352301	CAP, END 2 X 3
5	1	7365801	WEIGHT, COUNTER LG
6	2	3235802	1.50 OD Grip
7	3	3236205	SCREW, M10 X1.5 40MM
8	1	7348101	WASHER, SPACER
9	1	7335401	NUT, M10 X 1.5 SOCKET HEAD
10	4	3236213	SCREW, M10 X1.5 80MM
11	10	3236601	WASHER, 3/8 SAE SS
12	2	7306902	RING, GRIP 1.50 OD
13	2	3237701	ASSY, PILLOW BLOCK 4.88 X 2.75
14	4	3236801	NUT, M10 HEX NYLOCK SS
15	2	7422003	LABEL, MOVING PARTS
16	2	7315602	RING, GRIP
17	8	3237201	M3 X .5 HXS NO CUP ST BO

PSSPSE SHOULDER PRESS

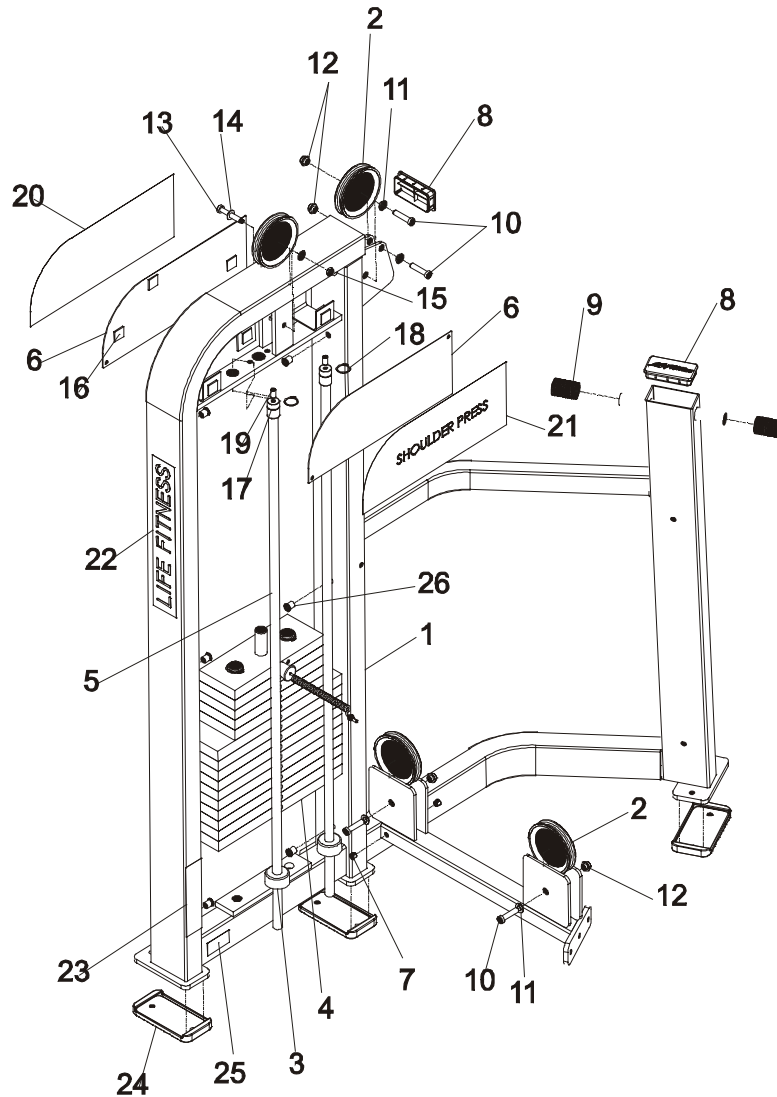
SEAT FRAME ASSEMBLY



ITEM NO.	QTY	PART NO.	DESCRIPTION
1	1	7378701	WLDMT, PSSP SEAT FRAME
2	1	7378501	PLATE, PSSP PULLEY
3	1	3237801	PULLEY, 4.5" OD
4	1	7354301	SPACER, 7/16 ID X 1 OD X 1
5	1	7352001	BUMPER, 2-1/8 X 4-5/8
6	1	7352201	CAP, END 1-1/2 X 2
7	2	3236205	SCREW, M10 X1.5 40MM
8	2	7348101	WASHER, SPACER
9	2	7335401	NUT, M10 X 1.5 SOCKET HEAD
10	2	3236210	SCREW, M10 X1.5 65MM
11	4	3236601	WASHER, 3/8 SAE SS
12	2	3236801	NUT, M10 HEX NYLOCK SS
13	1	7388201	Footpad, PS Rubber

PSSPSE SHOULDER PRESS

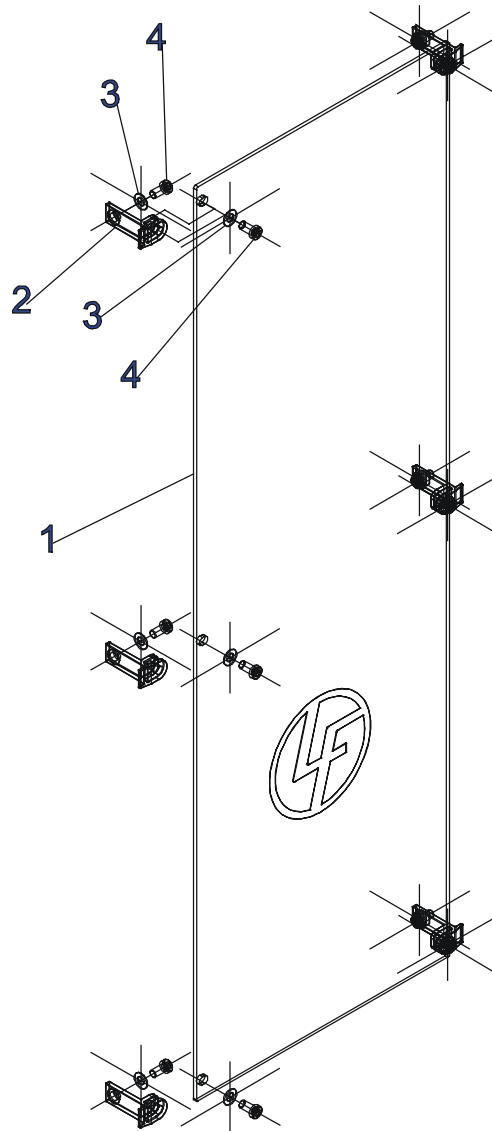
SIDE FRAME ASSEMBLY



ITEM NO.	QTY.	PART NO.	DESCRIPTION	ITEM NO.	QTY.	PART NO.	DESCRIPTION
1	1	7378001	WLDMT, PSSP SIDE FRAME	14	2	3236601	WASHER, 3/8 SAE SS
2	4	3237801	PULLEY, 4.5" OD	15	1	3236901	NUT, M10 X 1.5 JAM
3	2	7352101	CUSHION, WEIGHT STACK	16	12	7544201	PAD, DUAL LOC 400, 1" X 1"
4	1	7353401	ASSY, 200LB STACK	17	2	7402301	RETAINER, GUIDEROD
5	2	7328605	GUIDE ROD, .75 OD SOLID 52.38	18	2	3232421	RING, BRE .940, 5100-100 ST PP B
6	2	7353201	COVER, STACK STD	19	2	3240501	M10 X 1.5 HXS NO CUP ST BO
7	4	3237401	PLUG, 7/16" HOLE	20	1	7490601	LABEL, PSSP LOGO PANEL
8	2	7352401	CAP, END 2 X 4	21	1	7438801	LABEL, PSSP PLACARD
9	2	6912804	SLEEVE, ACCRDN 1.0 ID	22	1	7348001	LABEL, LIFE FITNESS LOGO
10	4	3236206	SCREW, M10 X1.5 45MM	23	1	7422004	LABEL, 2" ASTM WARN
11	4	7348101	WASHER, SPACER	24	3	7388201	Footpad, PS Rubber
12	4	7335401	NUT, M10 X 1.5 SOCKET HEAD	25	1	7422007	LABEL, SERIAL NO
13	1	3236208	SCREW, M10 X1.5 55MM	26	6	3238101	NUT, BLIND INSERT M10 X 1.5

PSSPSE SHOULDER PRESS

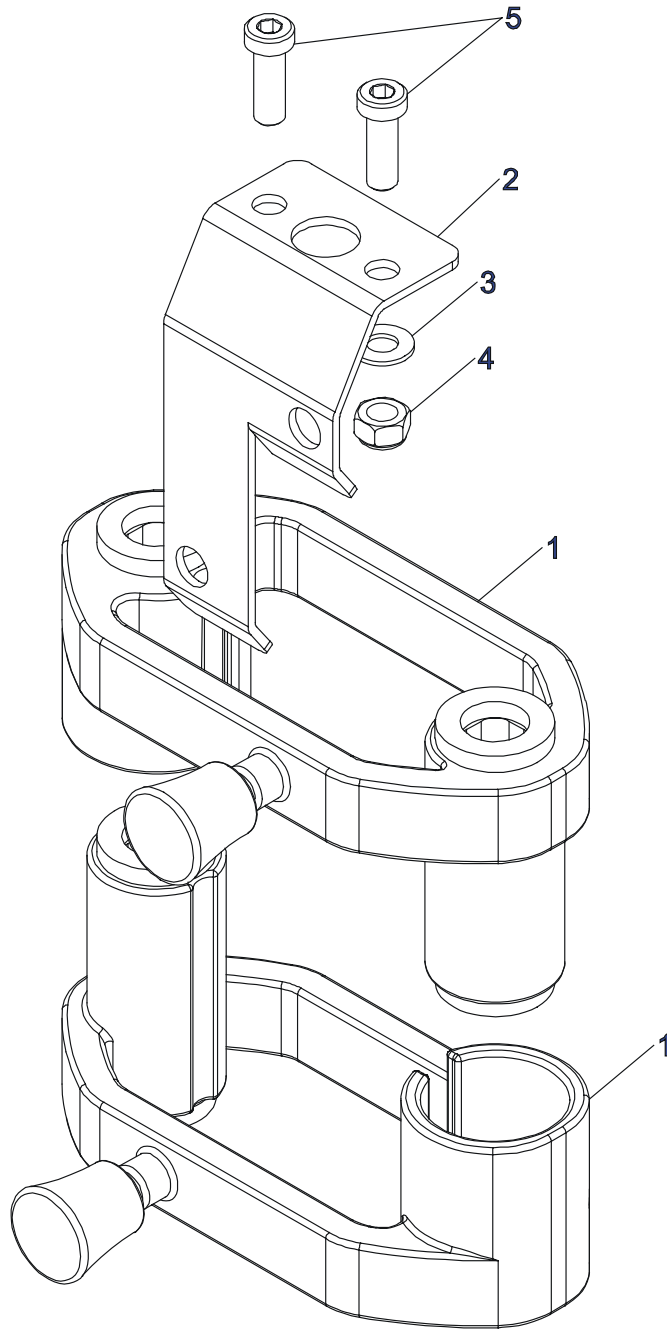
SHROUD KIT STD-MED



ITEM NO.	QTY.	PART NO.	DESCRIPTION
1	1	7376802	SHIELD, PS REAR
2	6	7655301	BRACKET, PS REAR
3	12	3236601	SHIELD
4	12	3236201	SCREW, M10 X1.5 20MM

PSSPSE SHOULDER PRESS

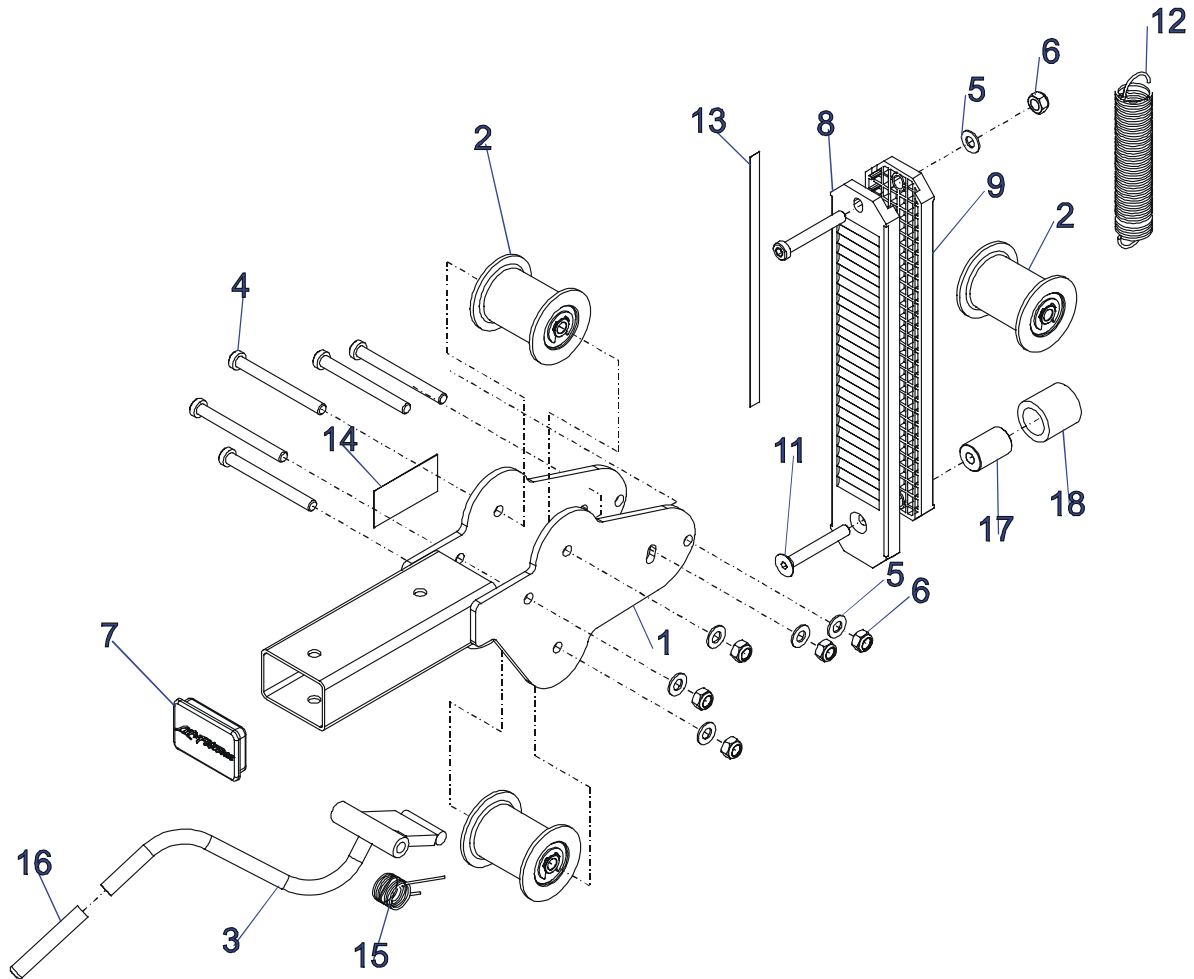
INCREMENT WEIGHT W/STRIKER



ITEM NO.	QTY.	PART NO.	DESCRIPTION
1	2	7446501	ASSY, 5LB INCREMENT WEIGHT
2	1	7447101	PLATE, INCR. WT STRIKER
3	2	3236601	WASHER, 3/8 SAE SS
4	2	3236801	NUT, M10 HEX NYLOCK SS
5	2	3236203	SCREW, M10 X1.5 30MM

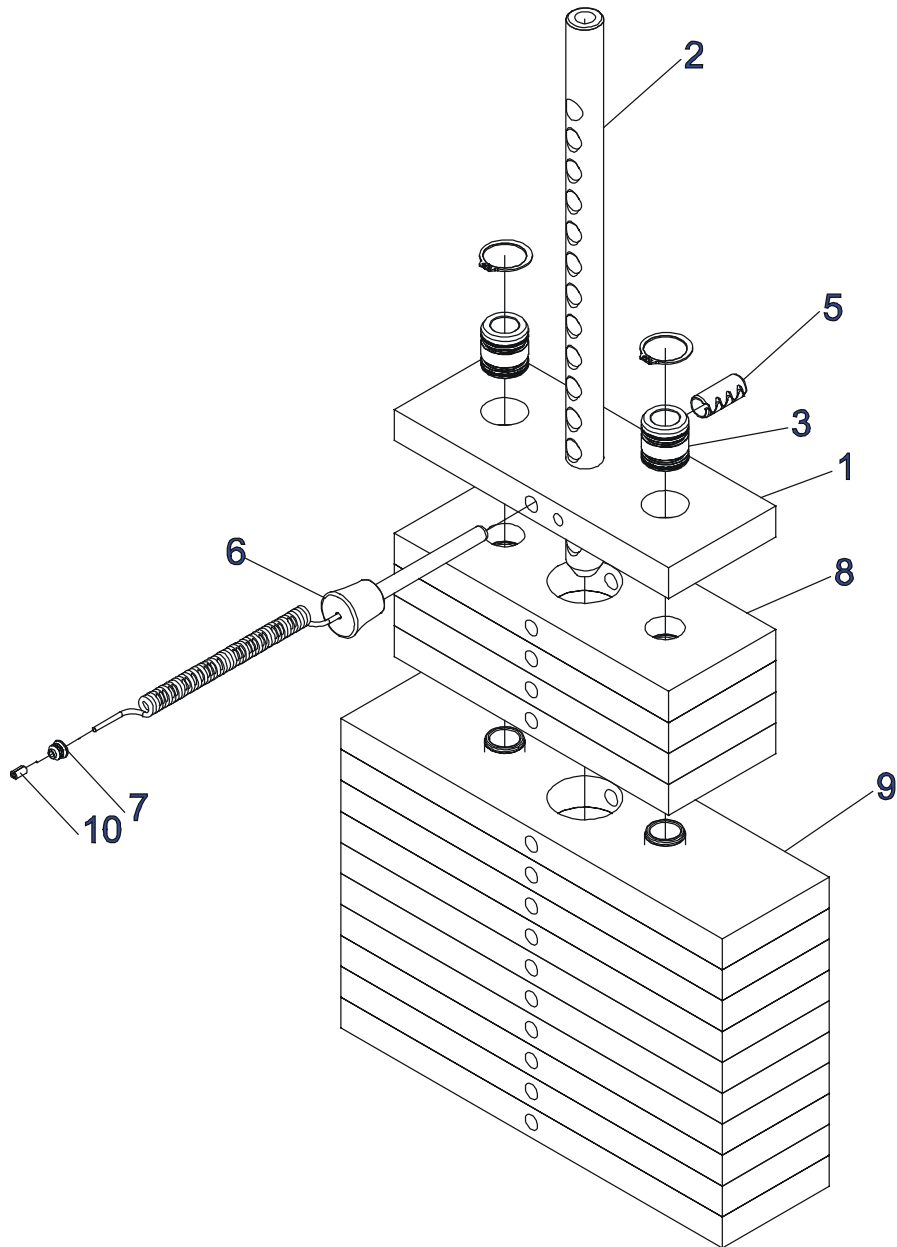
PSSPSE SHOULDER PRESS

97 DEGREE ROLLER SEAT ASSY



ITEM NO.	QTY.	PART NO.	DESCRIPTION
1	1	7398001	Wldmnt, 97 Deg Roller Seat
2	3	7564201	ASSY, SEAT ROLLER
3	1	7387595	Weldmnt, PS-Roller Seat Handle
4	5	3236217	SCREW, M10 X1.5 100MM
5	6	3236601	WASHER, 3/8 SAE SS
6	6	3236801	NUT, M10 HEX NYLOCK SS
7	1	7352301	CAP, END 2 X 3
8	1	7564301	SEATRACK, ROLLER SERRATED
9	1	7564401	SEATRACK, FLAT
10	1	3236211	SCREW, M10 X1.5 70MM
11	1	3238312	M10x1.5x75mm
12	1	7442601	SPRING, PRO2 ROLLER SEAT
13	1	7422002	LABEL, SEAT ADJUST
14	1	7422001	LABEL, SEAT INST
15	1	7442701	SPRNG, PRO2 HANDLE TORSION
16	1	3238502	CAP, 1/2 X 5/8
17	1	7570601	STOP, ROLLER SEAT
18	1	3235802	GRIP, SHADOW GRAY, 1.5"

PSSPSE SHOULDER PRESS WEIGHT STACK ASSY 200LB



ITEM NO.	QTY.	PART NO.	DESCRIPTION
1	1	7353901	HEADPLATE, WT. STACK
2	1	7352601	BAYONET, 14 PLATE
3	2	7338001	BUSHING, HEADPLATE
5	1	3236001	BUSHING, SPRING PIN
6	1	7353001	ASSY, SELECTOR PIN
7	1	7356501	PLUG, LANYARD ATTACHMENT
8	4	7353701	ASSY, 10 LB PLATE
9	10	7353801	ASSY, 15 LB PLATE
10	1	7523601	CRIMP, CABLE