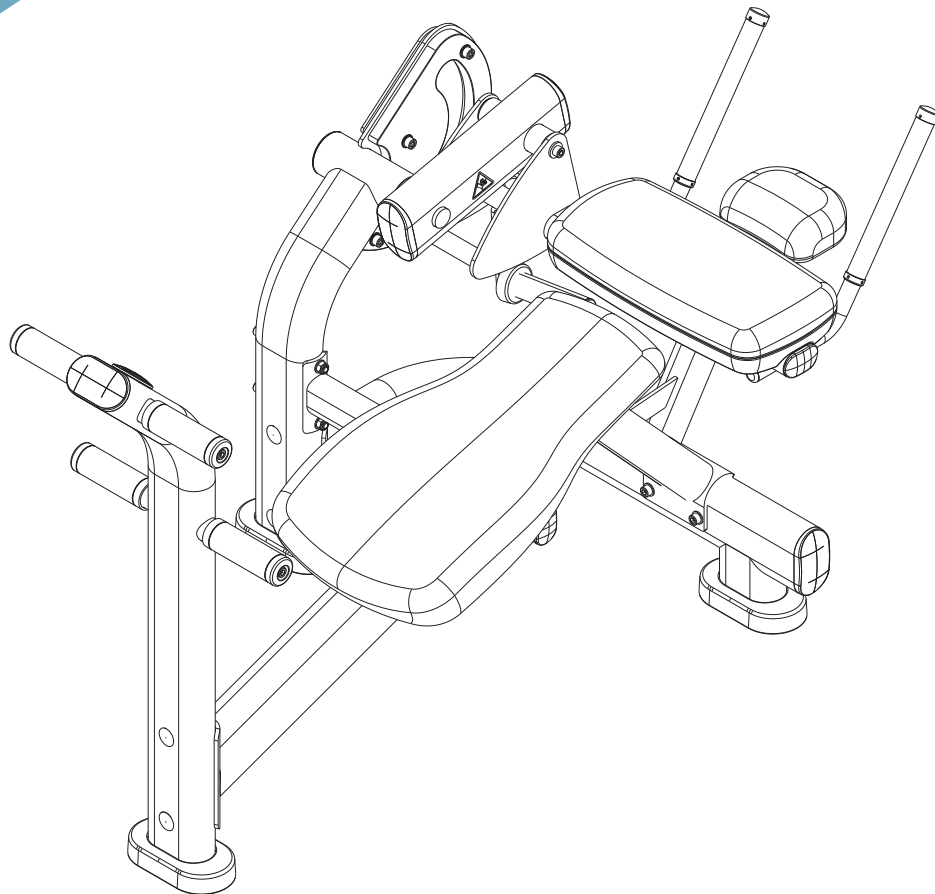


Signature Series Benches & Racks Ab Crunch Bench

SABC

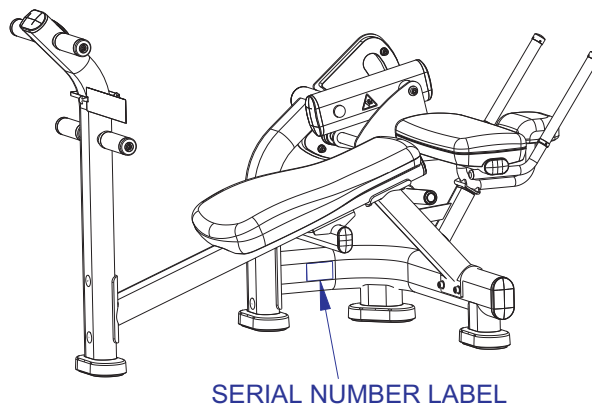
CUSTOMER SUPPORT SERVICES
Parts List



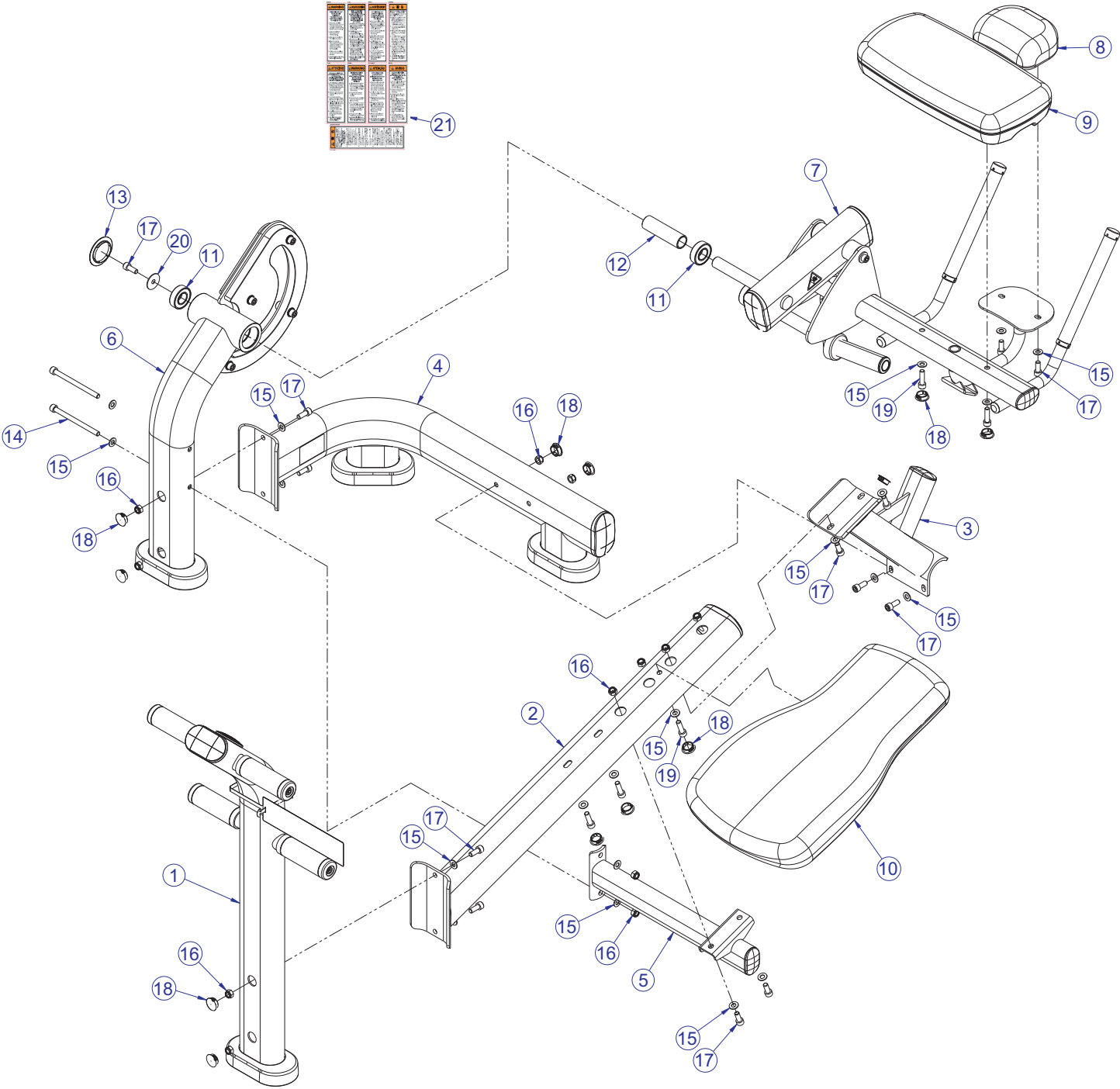
SABC ABDOMINAL CRUNCH CONTENTS

	PAGE
COMPONENT ASSEMBLY	3
COMPONENT ASSEMBLY LEGEND	4
FOOT REST ASSEMBLY	5
BACK SUPPORT ASSEMBLY	6
WORK ARM STOP ASSEMBLY	7
LOWER SUPPORT ASSEMBLY	8
CROSS MEMBER ASSEMBLY	9
CAM FOLLOWER	10
WORK ARM	11
WORK ARM ASSEMBLY LEGEND	12
IMAGE	13

NOTE: PART NUMBERS ENDING IN 'XX' INDICATE COLOR OPTION



SABC ABDOMINAL CRUNCH COMPONANT ASSEMBLY

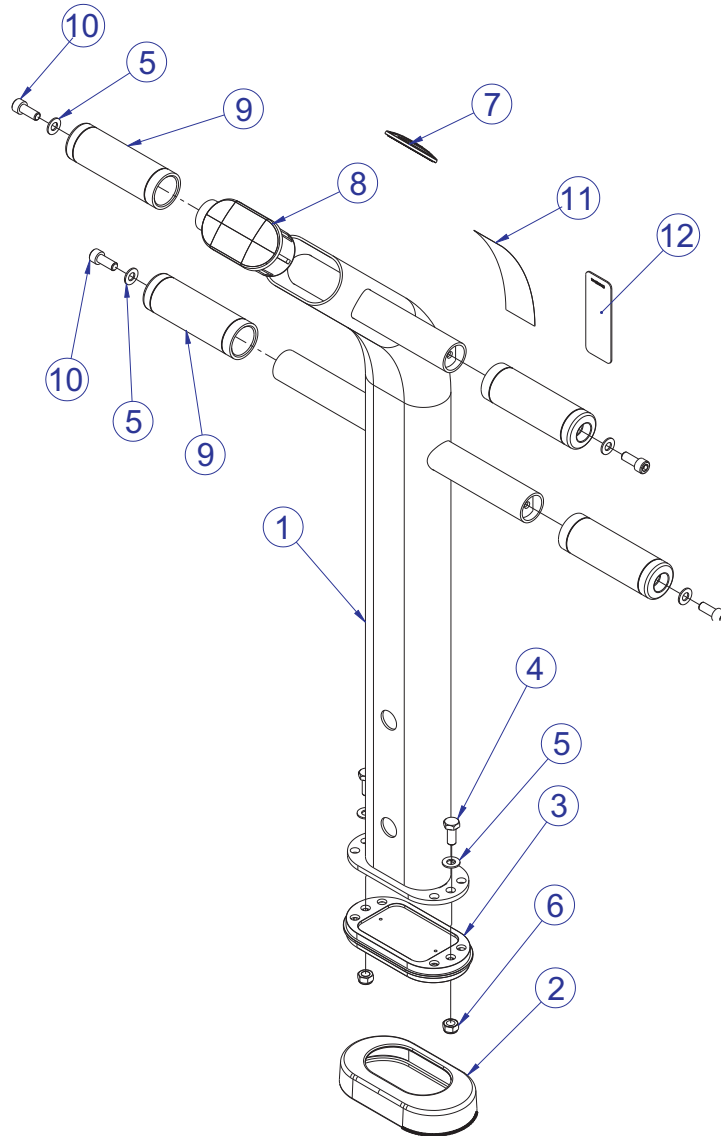


LEGEND ON PAGE 4

SABC ABDOMINAL CRUNCH COMPONANT ASSEMBLY LEGEND

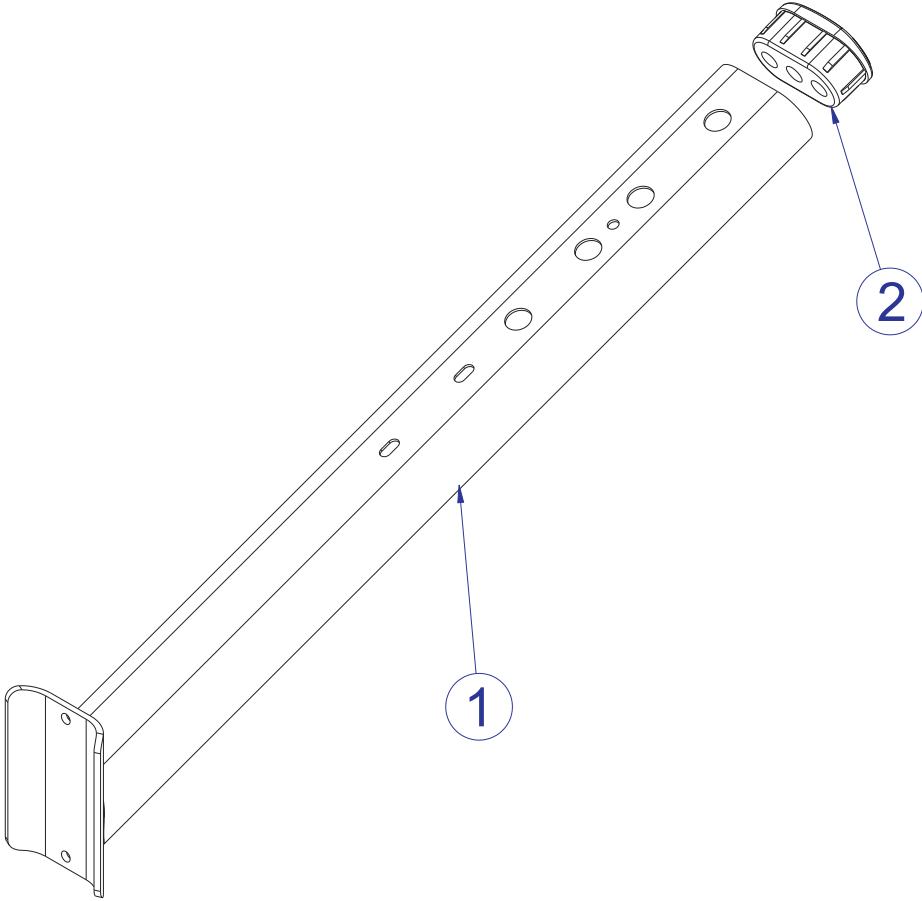
ITEM NO.	QTY.	PART NO.	DESCRIPTION
1	1	LEA78094XX	PTD ASSY, FOOT REST SABC
2	1	78095XX	PTD ASSY, BACK SUPPORT SABC
3	1	LEA78099XX	PTD ASSY, WORK ARM STOP SABC
4	1	LEA78096XX	PTD ASSY, LOWER SUPPORT SABC
5	1	LEA78097XX	PTD ASSY, CROSS MEMBER SABC
6	1	LEA78093XX	PTD ASSY, CAM FOLLOWER SABC
7	1	87708XX	PTD ASSY, WORK ARM SABC
8	1	73933XX	PAD, ARM REST
9	1	74689XX	PAD 18 X 9 CONVEX
10	1	74741XX	PAD, LARGE BACK
11	2	3235601	BEARING, 6205 BALL
12	1	LEA7799501	SPACER, INTERNAL
13	1	7308701	CAP, BEARING HOUSING
14	2	LEA3251721	SCREW, M10 X1.5 135MM
15	21	3102514	WASHER, FLAT 3/8" SAE ST ZN
16	12	3242002	NUT, M10 X 1.5 HEX NYLOCK
17	13	3251702	SCREW, M10 X1.5 25MM
18	12	3237403	PLUG, 1" HOLE
19	5	3251704	SCREW, M10 X1.5 35MM
20	1	LEA3252001	WASHER, FENDER 3/8" ST ZN
21	1	8137801	DECAL, WARNING, VERT, MULTI-LANG SHEET

SABC ABDOMINAL CRUNCH FOOT REST ASSEMBLY - LEA78094XX



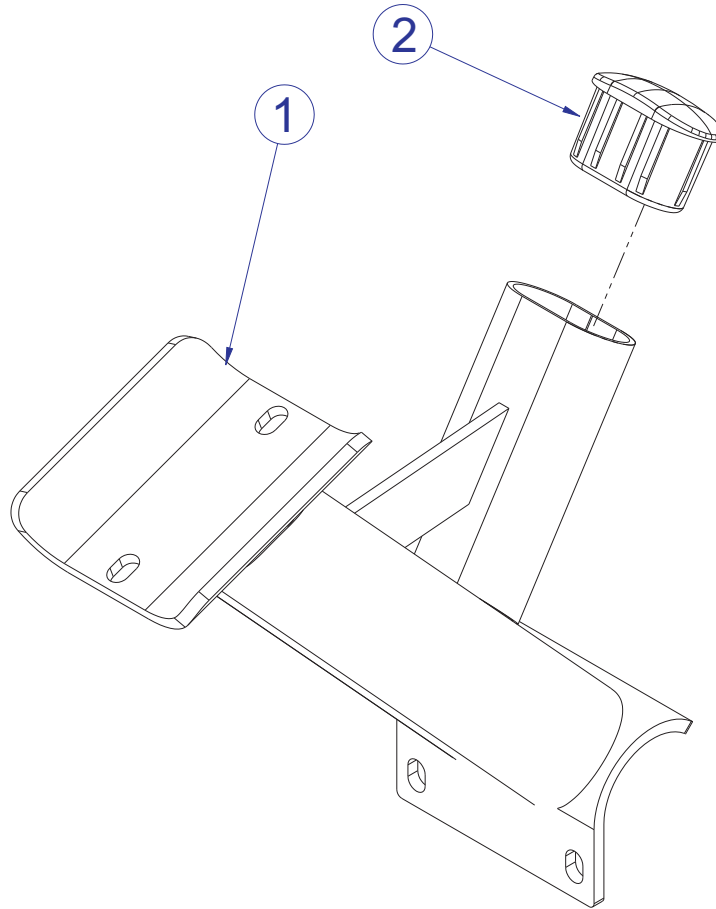
ITEM NO.	QTY.	PART NO.	DESCRIPTION
1	1	LEA78094XX	PTD ASSY, FOOT REST SABC
2	1	7340201	COVER, FOOT - STRAIGHT
3	1	LEA7763001	FOOT, 2.50 X 4.49 FLOV
4	2	3251202	SCREW, M10 X1.5 X 25MM UNS HEX CS ST ZN
5	6	3102514	WASHER, FLAT 3/8" SAE ST ZN
6	2	3242002	NUT, M10 X 1.5 HEX NYLOCK
7	1	AK58-00245-0000	MEDALLION;"BUG"; PUR
8	1	7800401	CAP, LRG FLOV END
9	4	7800101	GRIP, 1.50 ID FOOT
10	4	3251702	SCREW, M10 X1.5 25MM
11	1	LEA7847101	LABEL, SABC PLACARD
12	1	LEA7002401	LABEL, V WARNING 4.5 X 1.625

SABC ABDOMINAL CRUNCH BACK SUPPORT ASSEMBLY - 78095XX



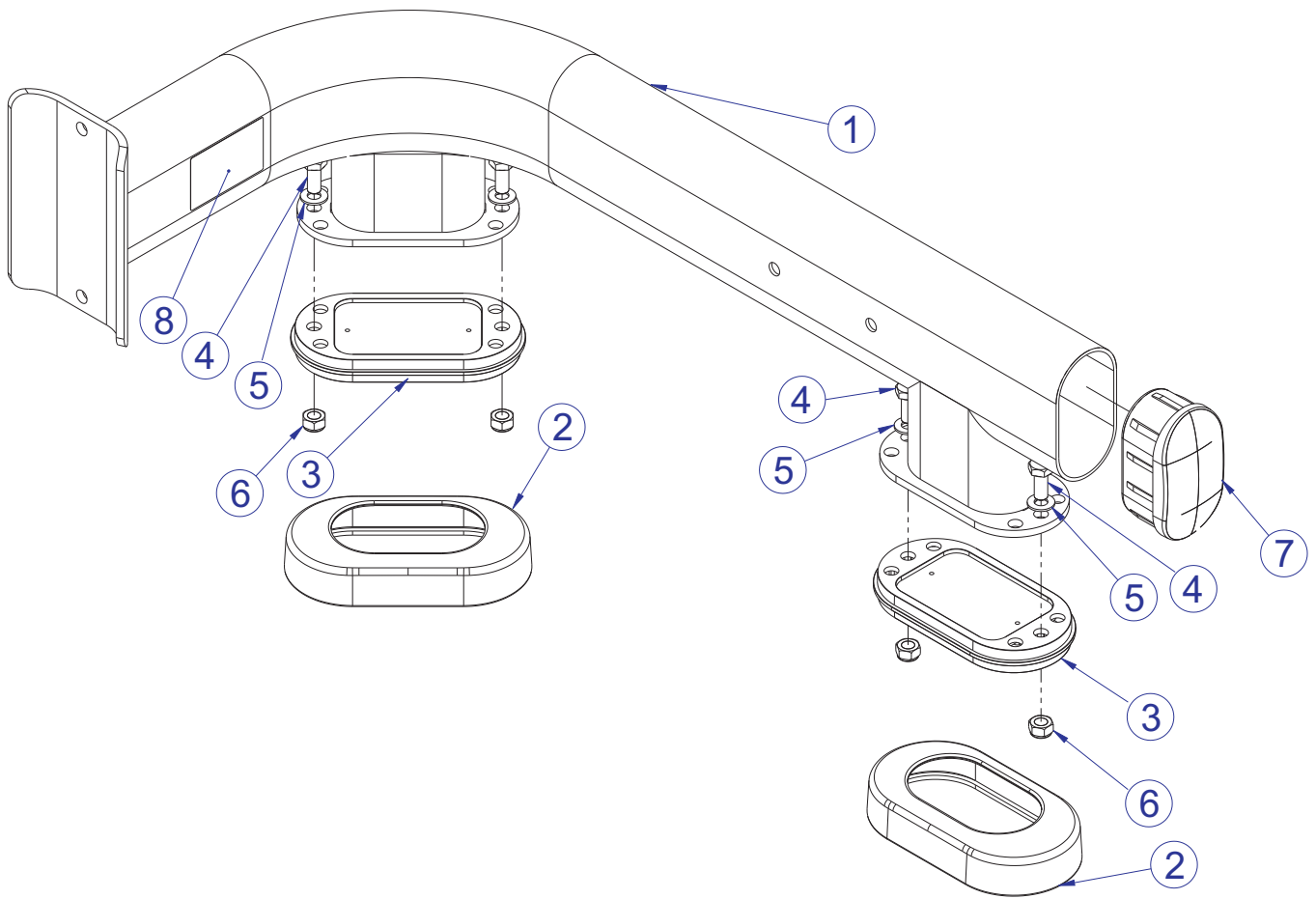
ITEM NO.	QTY.	PART NO.	DESCRIPTION
1	1	78095XX	PTD ASSY, BACK SUPPORT SABC
2	1	7800401	CAP, LRG FLOV END

SABC ABDOMINAL CRUNCH WORK ARM STOP ASSEMBLY - LEA78099XX



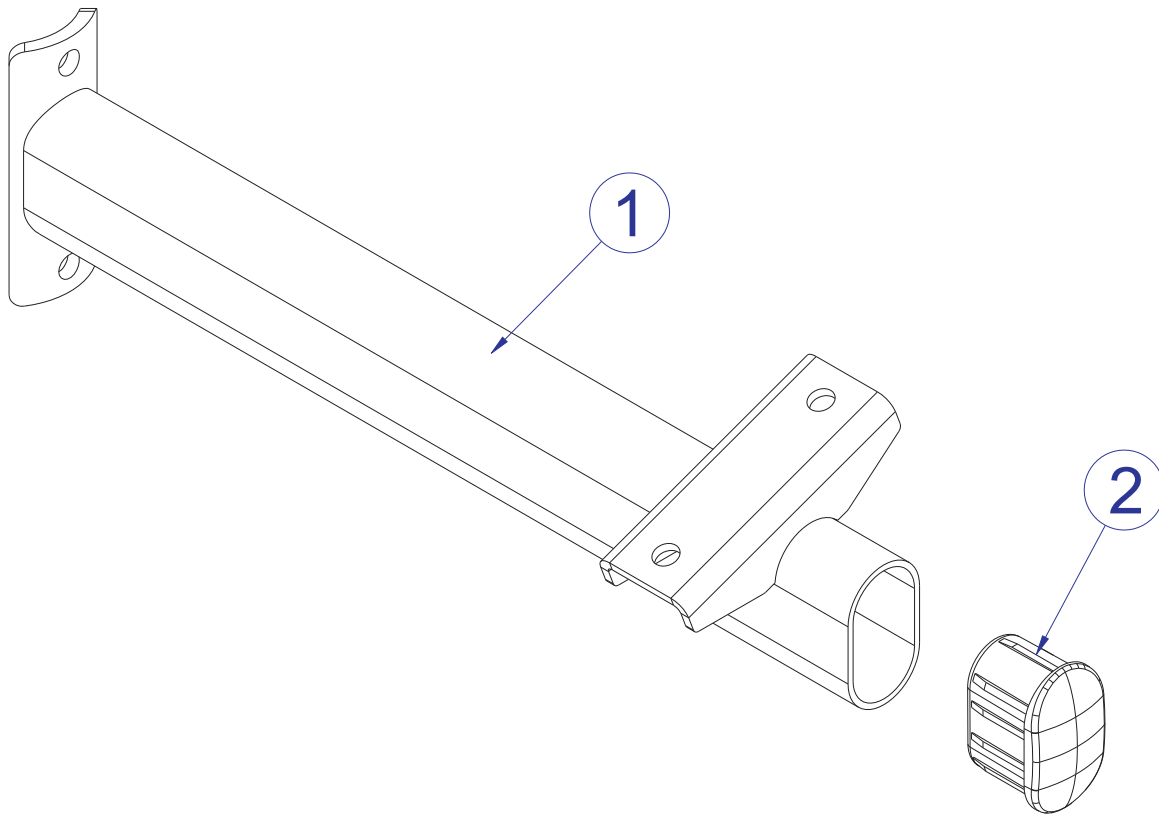
ITEM NO.	QTY.	PART NO.	DESCRIPTION
1	1	LEA78099XX	PTD ASSY, WORK ARM STOP SABC
2	1	7800501	CAP, SML FLOV END

SABC ABDOMINAL CRUNCH LOWER SUPPORT ASSEMBLY - LEA78096XX



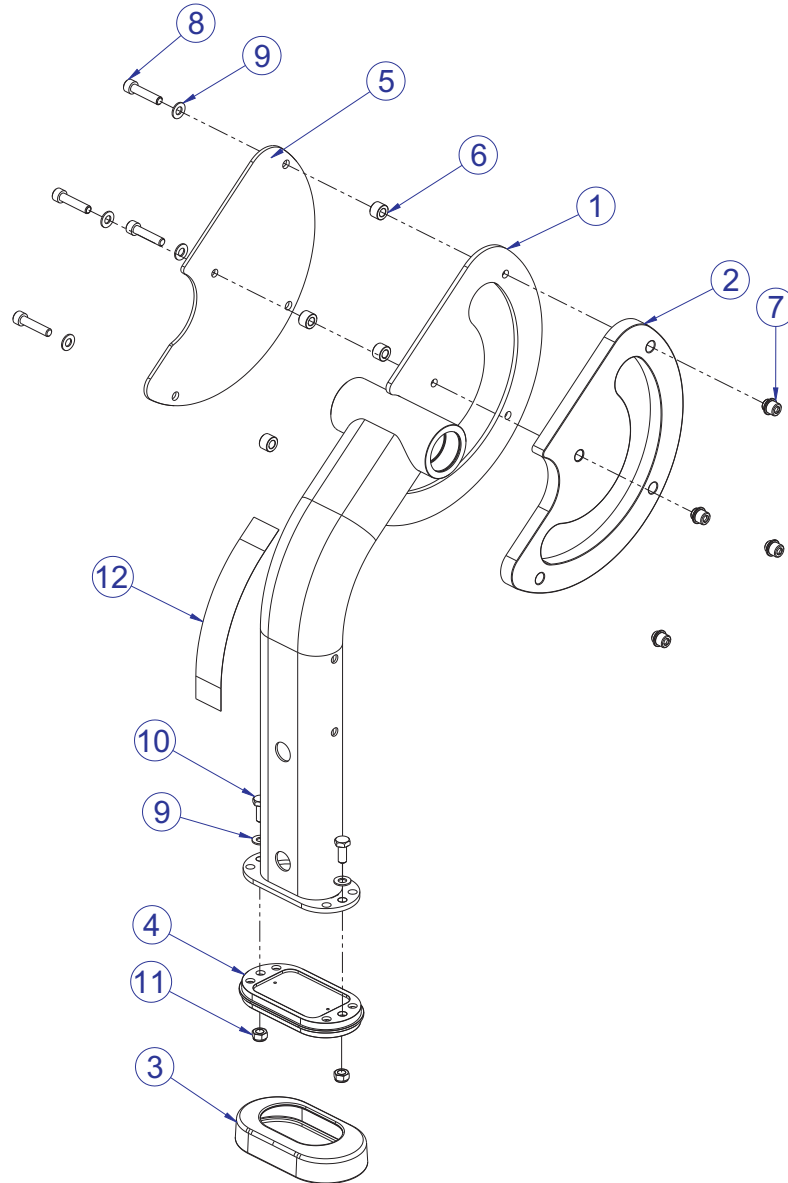
ITEM NO.	QTY.	PART NO.	DESCRIPTION
1	1	LEA78096XX	PTD ASSY, LOWER SPRT SABC
2	2	7340201	COVER, FOOT - STRAIGHT
3	2	LEA7763001	FOOT, 2.50 X 4.49 FLOV
4	4	3251202	SCREW, M10 X1.5 X 25MM UNS HEX CS ST ZN
5	4	3102514	WASHER, FLAT 3/8" SAE ST ZN
6	4	3242002	NUT, M10 X 1.5 HEX NYLOCK
7	1	7800401	CAP, LRG FLOV END
8	1	8106801	LABEL, SERIAL NUMBER, LARGE

SABC ABDOMINAL CRUNCH CROSS MEMBER ASSEMBLY - LEA78097XX



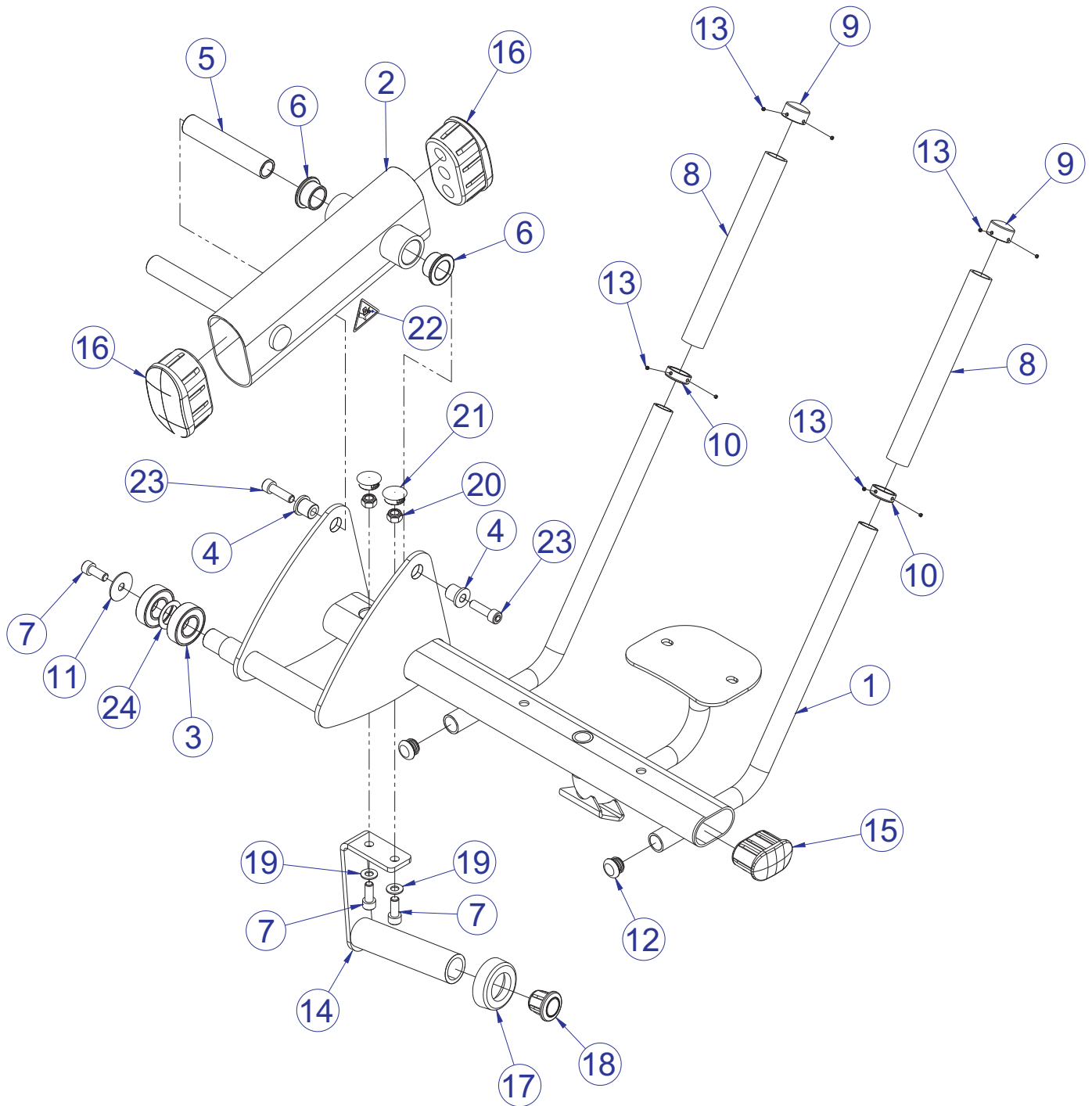
ITEM NO.	QTY.	PART NO.	DESCRIPTION
1	1	LEA78097XX	PTD ASSY, CROSS MEMBER SABC
2	1	7800501	CAP, SML FLOV END

SABC ABDOMINAL CRUNCH CAM FOLLOWER ASSEMBLY - LEA78093XX



ITEM NO.	QTY.	PART NO.	DESCRIPTION
1	1	LEA77979XX	WLDMT, AB CAM FOLLOWER
2	1	LEA7810701	CAM, FOLLOWER SABC
3	1	7340201	COVER, FOOT - STRAIGHT
4	1	LEA7763001	FOOT, 2.50 X 4.49 FLOV
5	1	8353101	SHROUD, FZAB CAM
6	4	LEA7821603	SPACER, .406 X .750 X .500
7	4	LEA7821401	NUT, M10 X 1.5 SOCKET HEAD
8	4	3251706	SCREW, M10 X 1.5 45MM
9	6	3102514	WASHER, FLAT 3/8" SAE ST ZN
10	2	3251202	SCREW, M10 X 1.5 X 25MM UNS HEX CS ST ZN
11	2	3242002	NUT, M10 X 1.5 HEX NYLOCK
12	1	7865201	LABEL, LIFE FITNESS LOGO

SABC ABDOMINAL CRUNCH WORK ARM ASSEMBLY - 87708XX



LEGEND ON PAGE 12

SABC ABDOMINAL CRUNCH WORK ARM ASSEMBLY LEGEND

ITEM NO.	QTY.	PART NO.	DESCRIPTION
1	1	LEA80602XX	WLDMT, AB WORK ARM
2	1	87709XX	WLDMT, AB PIVOT ARM
3	2	3235601	BEARING, 6205 BALL
4	2	7821501	SPACER, FLANGE ST ZN
5	1	7764301	SHAFT, TAPPED 1 DIA X 5.330
6	2	3104903	1.00" ID 1.25" OD BRONZ BUSHING
7	3	3251702	SCREW, M10 X1.5 25MM
8	2	LEA7799401	GRIP, HAND
9	2	7662901	CAP, GRIP 1.25 OD
10	2	7662801	RING, GRIP 1.25 OD
11	1	LEA3252001	WASHER, FENDER 3/8" ST ZN
12	2	3119304	CAP, END 1.00 DIA RD 10-12 GA
13	8	LEA3247701	M4 X .7 HXS NO CUP ST BO
14	1	LEA77997XX	WLDMT, AB WEIGHT HORN
15	1	7800501	CAP, SML FLOV END
16	2	7800401	CAP, LRG FLOV END
17	1	LEA7800201	RING, WT HORN
18	1	LEA7800301	PLUG, WT HORN
19	2	3102514	WASHER, FLAT 3/8" SAE ST ZN
20	2	3242002	NUT, M10 X 1.5 HEX NYLOCK
21	2	3237403	PLUG, 1" HOLE
22	1	8039501	LABEL, WARNING, TRIANGLE
23	2	3251704	SCREW, M10 X1.5 35MM
24	1	7882801	SHIM, 1.005-1.50-.03

SABC ABDOMINAL CRUNCH IMAGE

