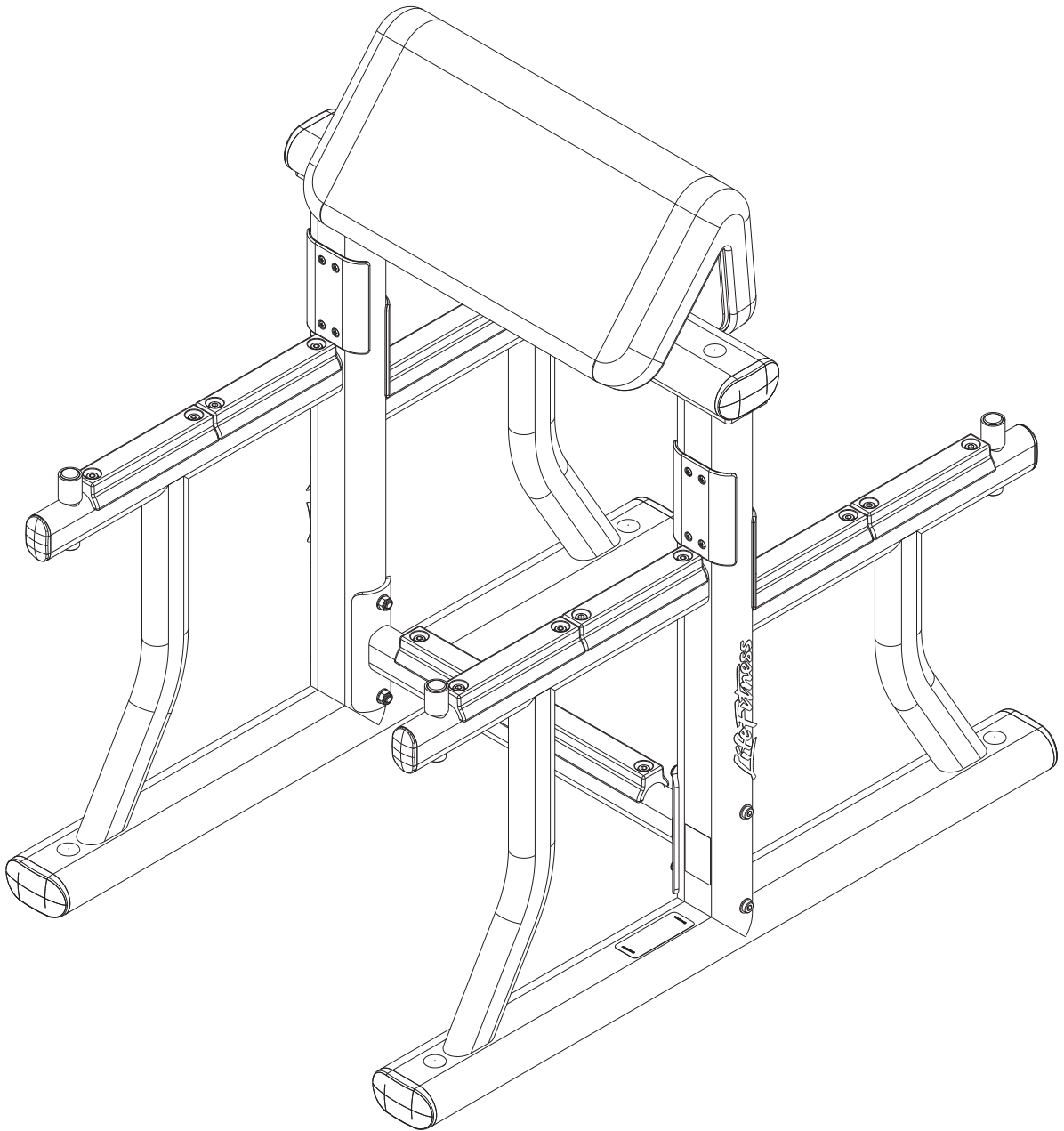




SIGNATURE SERIES  
SAC  
SIGNATURE ARM CURL BENCH



Customer Support Services  
**PARTS LIST**

# SAC SIGNATURE ARM CURL BENCH CONTENTS

---

	PAGE
COMPONENT ASSEMBLY	3
COMPONENT ASSEMBLY LEGEND	4
RIGHT SIDE FRAME ASSEMBLY	5
RIGHT SIDE FRAME ASSEMBLY LEGEND	6
LEFT SIDE FRAME ASSEMBLY	7
LEFT SIDE FRAME ASSEMBLY LEGEND	8
LOWER CROSS BRACE ASSEMBLY	9
UPPER CROSS BRACE ASSEMBLY	10
IMAGE	11

---

NOTE: SUBSTITUTE PART NUMBERS ENDING WITH 'XX' WITH THE REQUIRED COLOR CODES.

## FRAME

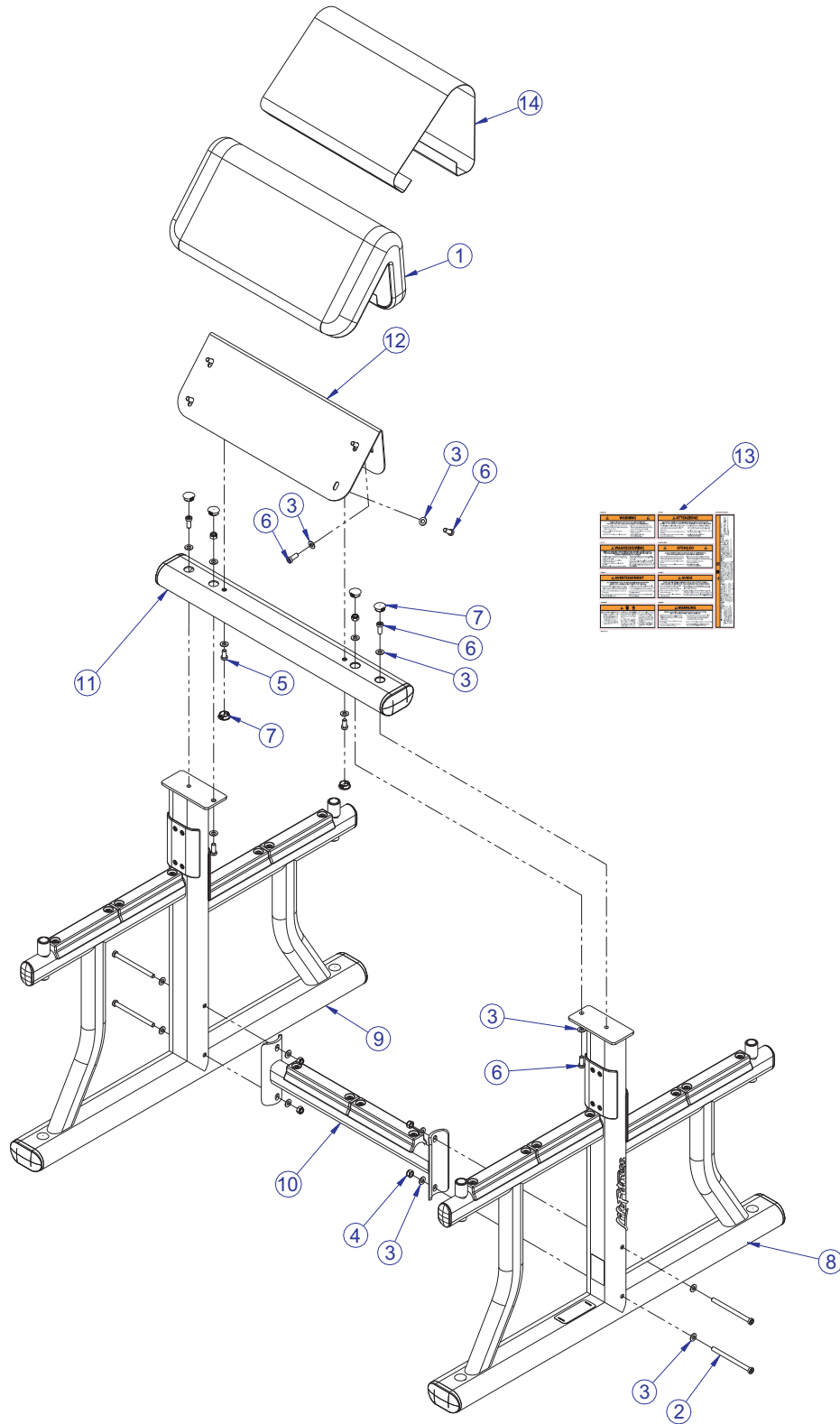
01 = WHITE  
02 = PLATINUM  
03 = BLACK

## PADS

01 = BLACK  
99 = CUSTOM

# SAC SIGNATURE ARM CURL BENCH COMPONENT ASSEMBLY

---



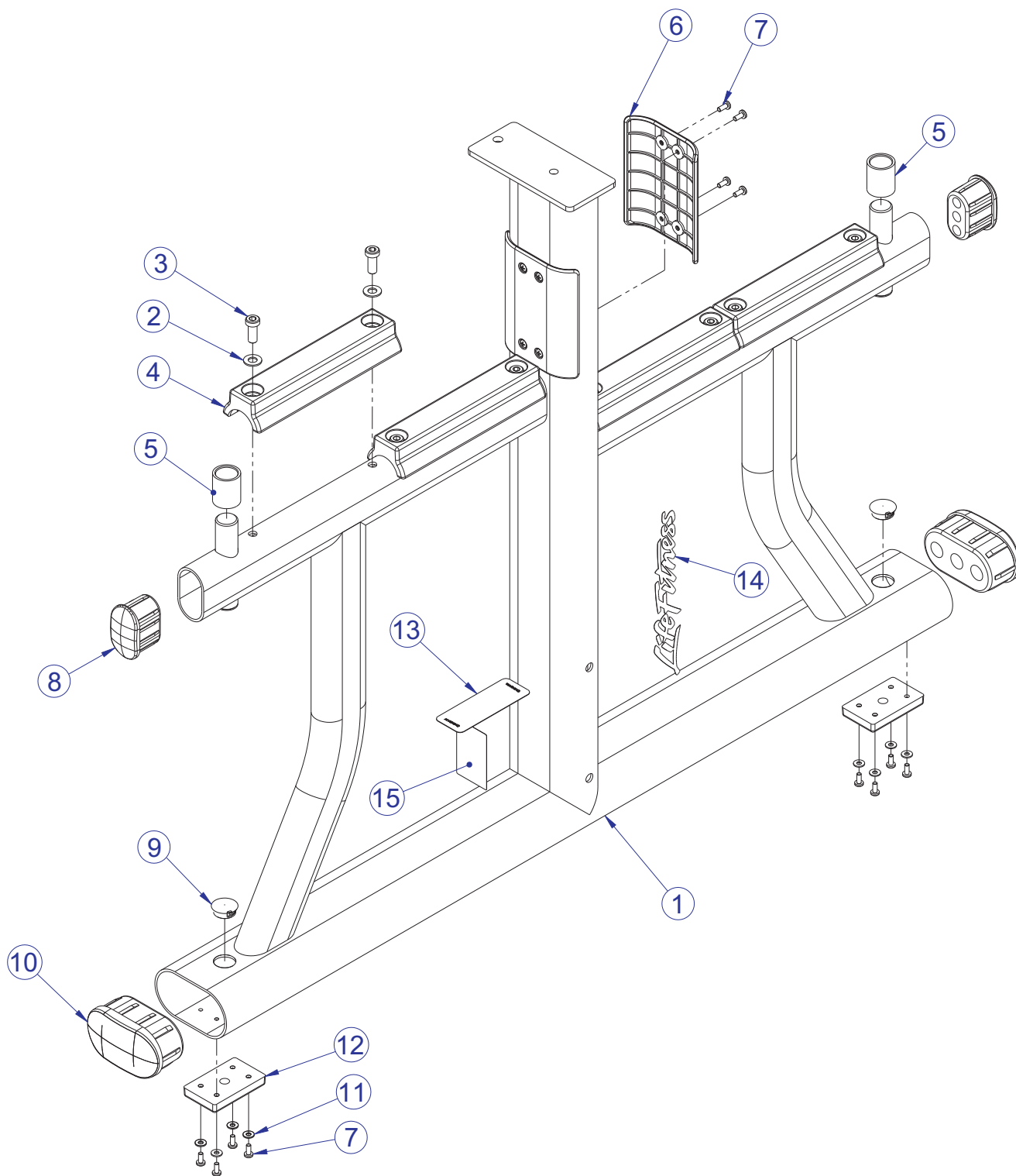
SEE PAGE 4 FOR LEGEND

# SAC SIGNATURE ARM CURL BENCH COMPONENT ASSEMBLY LEGEND

---

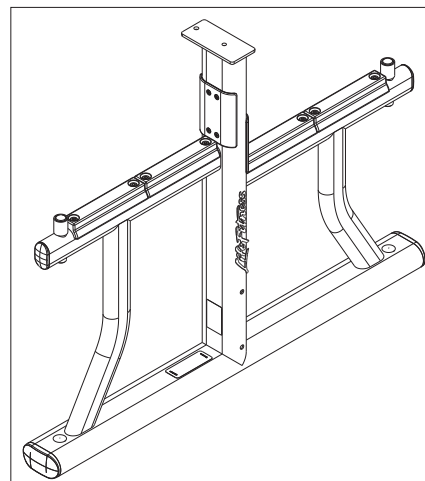
ITEM NO.	QTY.	PART NO.	DESCRIPTION
1	1	79060XX	PAD, ANGLE, LONG
2	4	3256221	SCREW, M10 X1.5 135MM
3	22	3102514	WASHER, FLAT 3/8" SAE ST ZN
4	6	3242002	NUT, M10 X 1.5 HEX NYLOCK
5	2	3256201	SCREW, M10 X1.5 20MM
6	10	LEA3256202	SCREW, M10 X1.5 25MM
7	6	3237403	PLUG, 1" HOLE
8	1	79041XX	PTD ASSY, SAC, FRAME, SIDE, RIGHT
9	1	79042XX	PTD ASSY, SAC, FRAME, SIDE, LEFT
10	1	79057XX	PTD ASSY, SAC, LOWER CROSS BRACE
11	1	79046XX	PTD ASSY, SAC, UPPER CROSS BRACE
12	1	79047XX	WLDMT, SAC, ARM SUPPORT
13	1	8137701	DECAL, WARNING, HORIZ, MULTI-LANG SHEET
14	1	80332XX	PAD, ANGLE, LONG WEAR COVER

# SAC SIGNATURE ARM CURL BENCH RIGHT SIDE FRAME ASSEMBLY - 79041XX



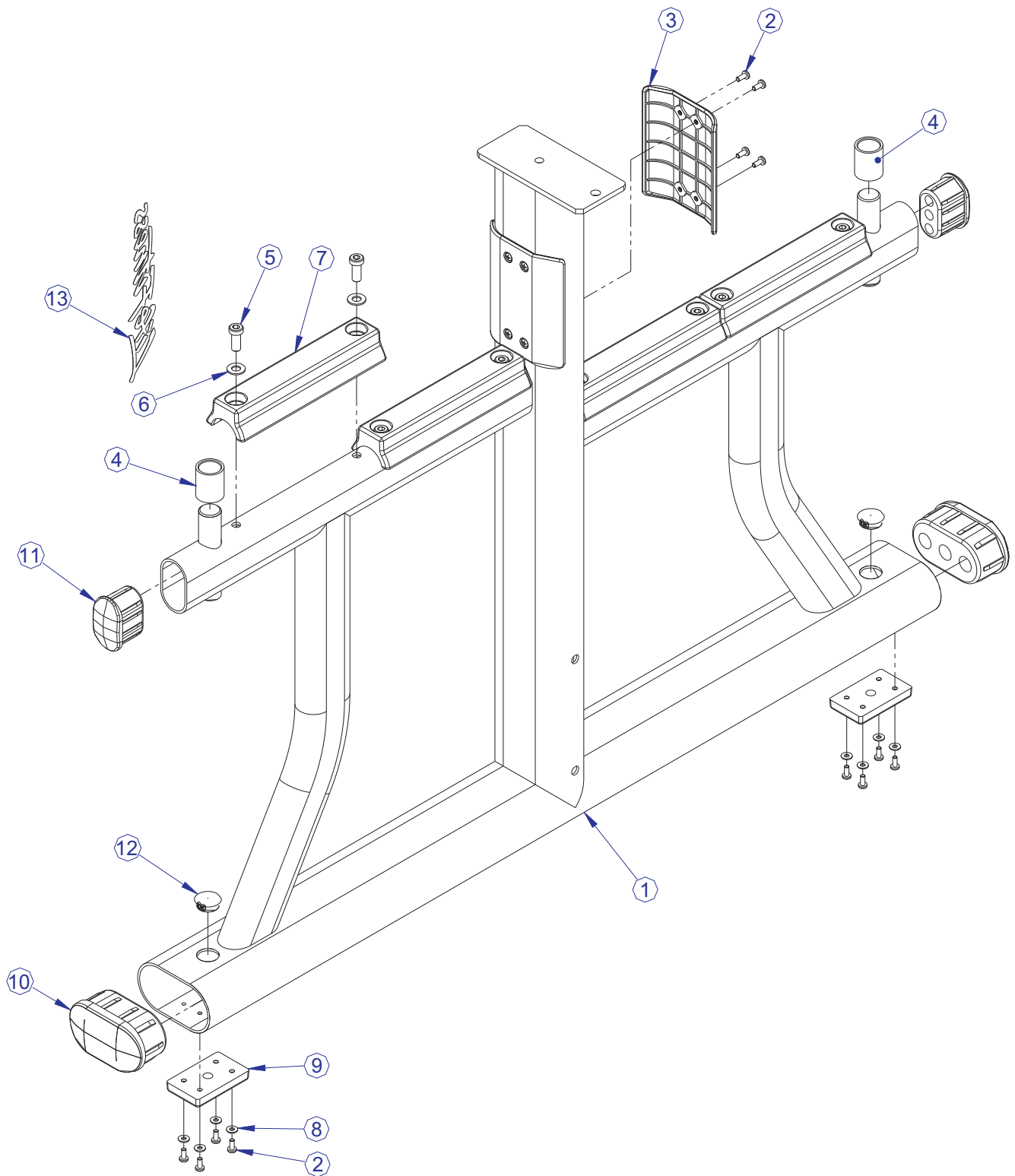
SEE PAGE 6 FOR LEGEND

# SAC SIGNATURE ARM CURL BENCH RIGHT SIDE FRAME ASSEMBLY LEGEND



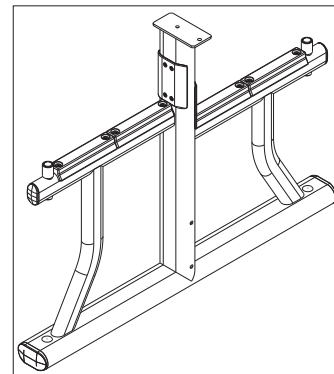
ITEM NO.	QTY.	PART NO.	DESCRIPTION
1	1	79041XX	PTD, ASSY, SAC FRAME, SIDE, RIGHT
2	8	3102514	WASHER, FLAT 3/8" SAE ST ZN
3	8	LEA3256202	SCREW, M10 X1.5 25MM
4	4	7878702	GUARD, BAR REST
5	2	8101501	BUMPER, SLEEVE - 1 INCH DIA
6	2	7821701	GUARD, SHORT PAINT
7	16	3239102	SCREW, M5X12 PHL PAN TT ST BZ
8	2	7800501	CAP, SML FLOV END
9	2	3237403	PLUG, 1" HOLE
10	2	7800401	CAP, LRG FLOV END
11	8	3114407	WASHER, SAE #10
12	2	7810801	PAD, RUBBER FOOT
13	1	LEA7002501	LABEL, H WARNING 4.5 X 1.625
14	1	7865201	LABEL, LIFE FITNESS LOGO
15	1	8106801	LABEL, SERIAL NUMBER, LARGE

# SAC SIGNATURE ARM CURL BENCH LEFT SIDE FRAME ASSEMBLY - 79042XX



SEE PAGE 8 FOR LEGEND

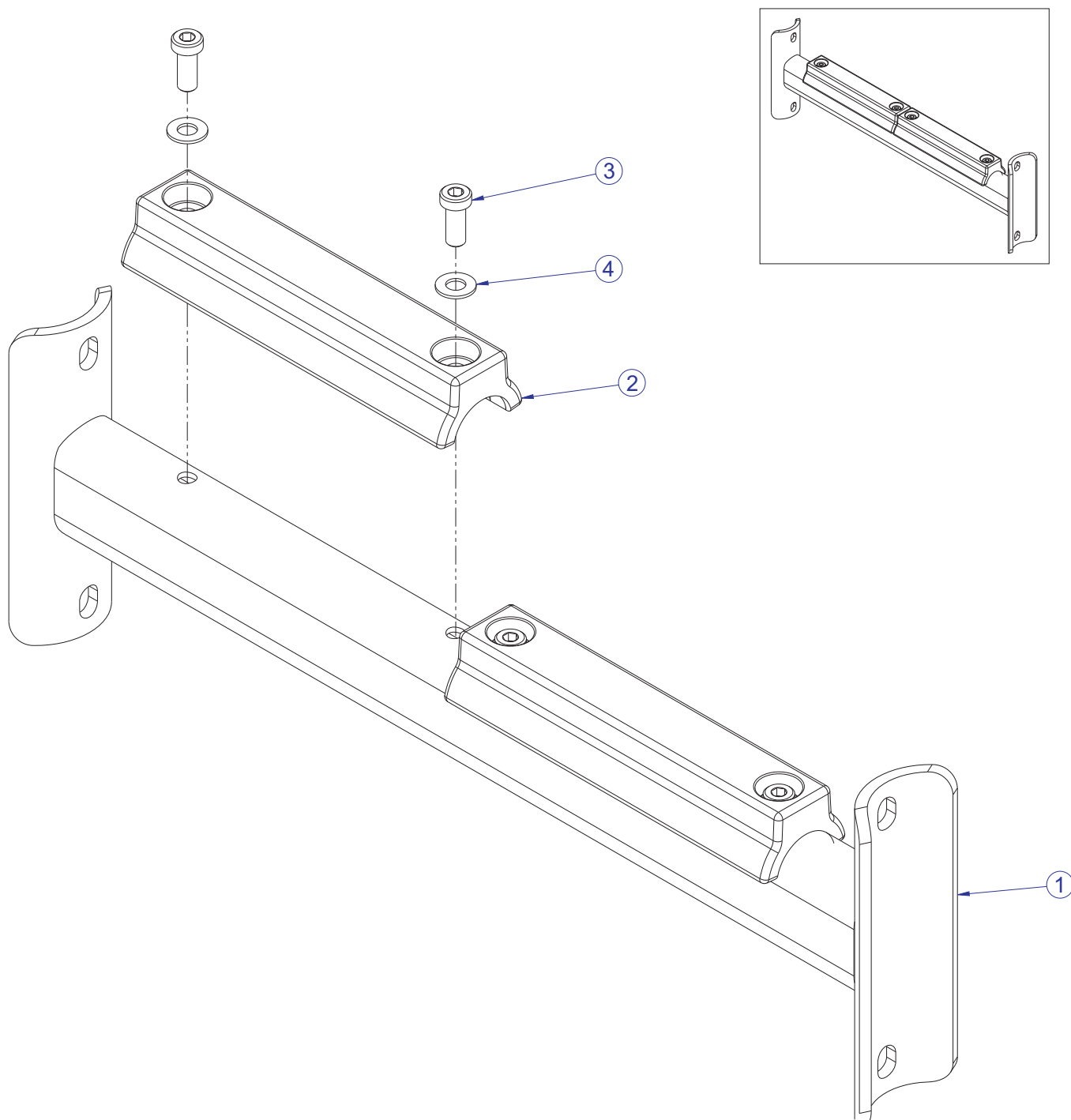
# SAC SIGNATURE ARM CURL BENCH LEFT SIDE FRAME ASSEMBLY LEGEND



ITEM NO.	QTY.	PART NO.	DESCRIPTION
1	1	79042XX	PTD ASSY, SAC, FRAME, SIDE, LEFT
2	16	3239102	SCREW, M5X12 PHL PAN TT ST BZ
3	2	7821701	GUARD, SHORT PAINT
4	2	8101501	BUMPER, SLEEVE - 1 INCH DIA
5	8	LEA3256202	SCREW, M10 X1.5 25MM
6	8	3102514	WASHER, FLAT 3/8" SAE ST ZN
7	4	7878702	GUARD, BAR REST
8	8	3114407	WASHER, SAE #10
9	2	7810801	PAD, RUBBER FOOT
10	2	7800401	CAP, LRG FLOV END
11	2	7800501	CAP, SML FLOV END
12	2	3237403	PLUG, 1" HOLE
13	1	7865201	LABEL, LIFE FITNESS LOGO

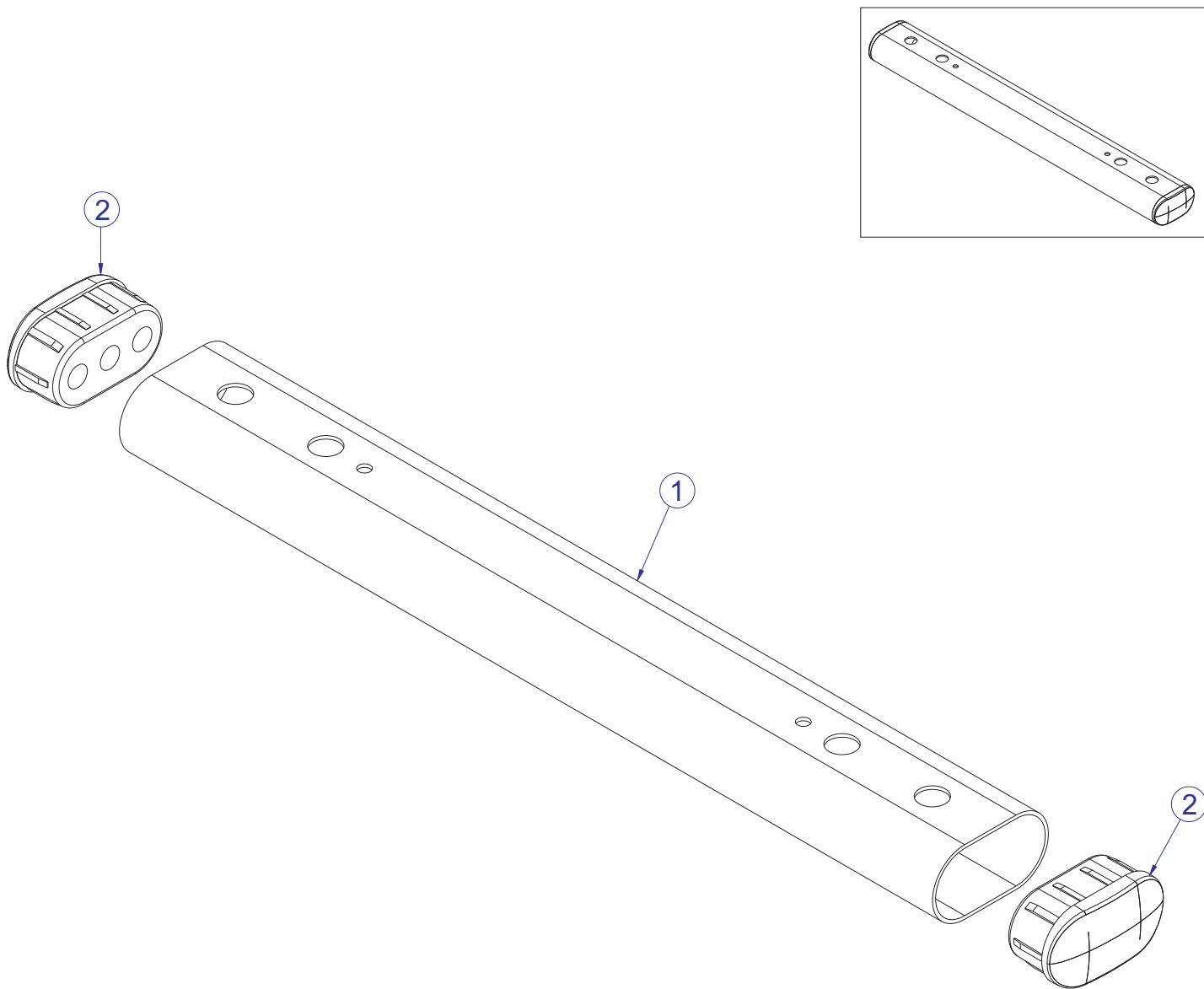


# SAC SIGNATURE ARM CURL BENCH LOWER CROSS BRACE ASSEMBLY - 79057XX



ITEM NO.	QTY.	PART NO.	DESCRIPTION
1	1	79045XX	WLDMT, SAC, BRACE
2	2	7878702	GUARD, BAR REST
3	4	LEA3256202	SCREW, M10 X1.5 25MM
4	4	3102514	WASHER, FLAT 3/8" SAE ST ZN

# SAC SIGNATURE ARM CURL BENCH UPPER CROSS BRACE ASSEMBLY - 79046XX



ITEM NO.	QTY.	PART NO.	DESCRIPTION
1	1	79055XX	TUBE, SAC, 2.50 X 4.49 FLOV
2	2	7800401	CAP, LRG FLOV END

# SAC SIGNATURE ARM CURL BENCH IMAGE

---

