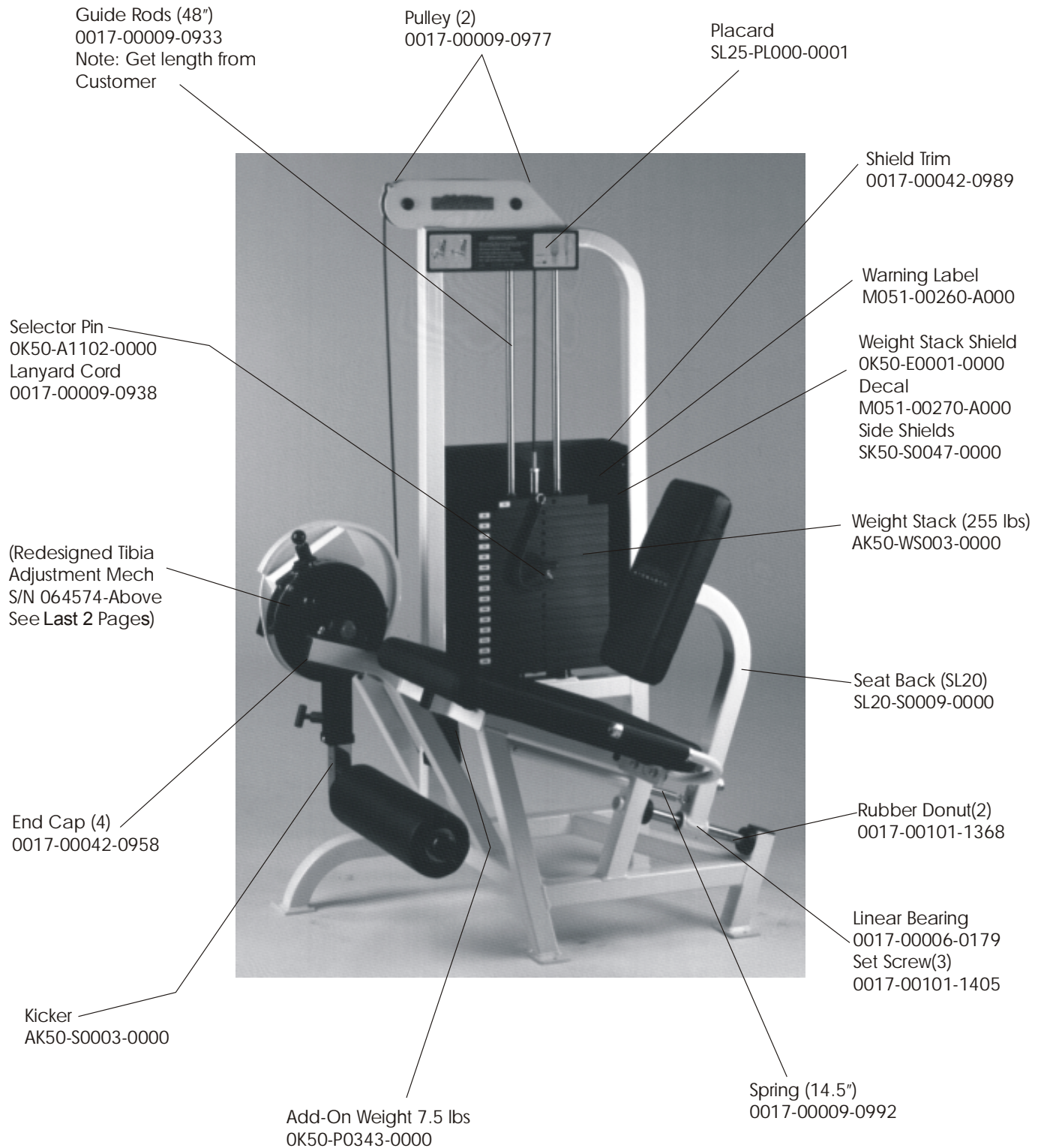


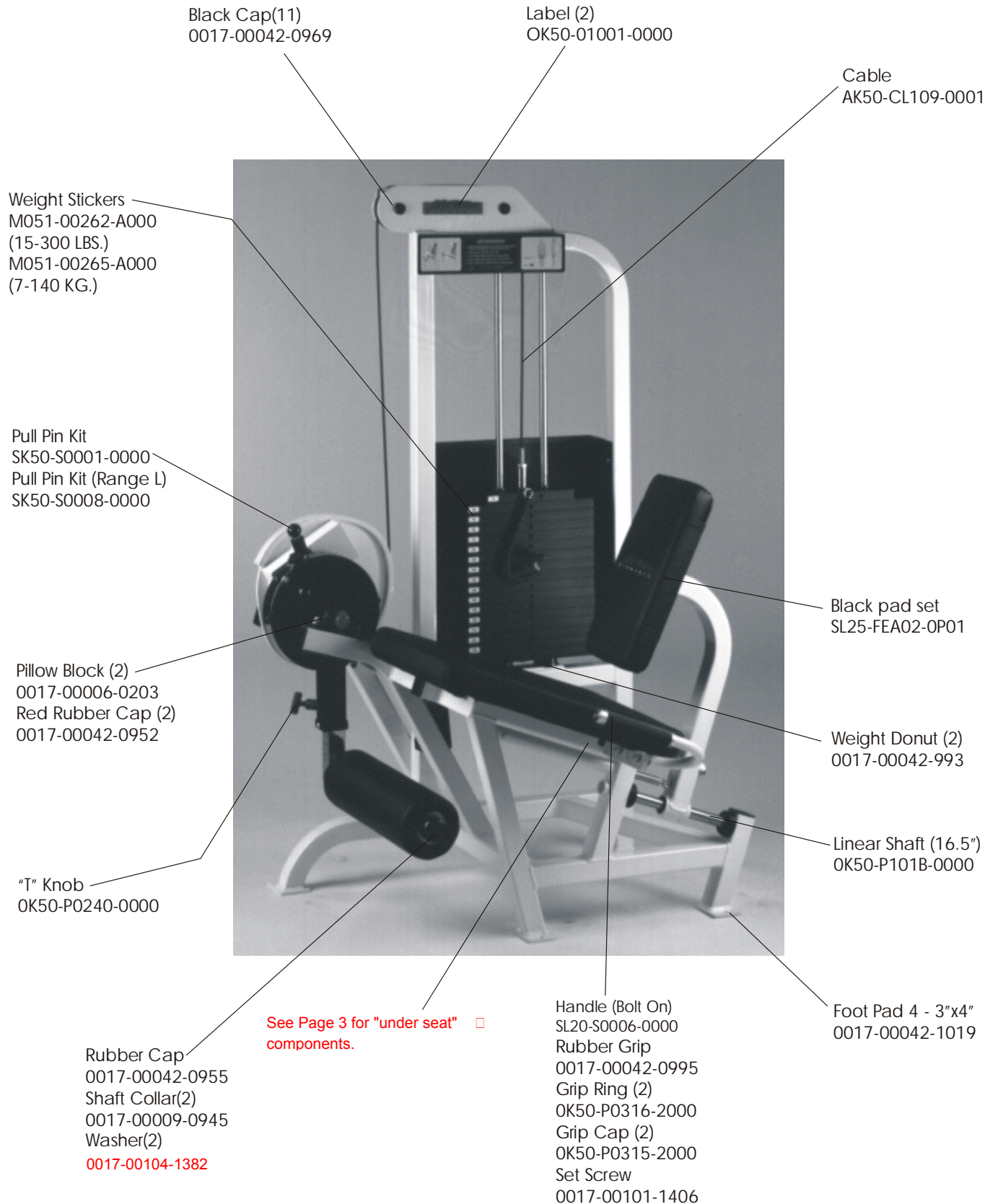
STRENGTH 9000 SERIES TRAINING EQUIPMENT

SL20/25 Leg Extension



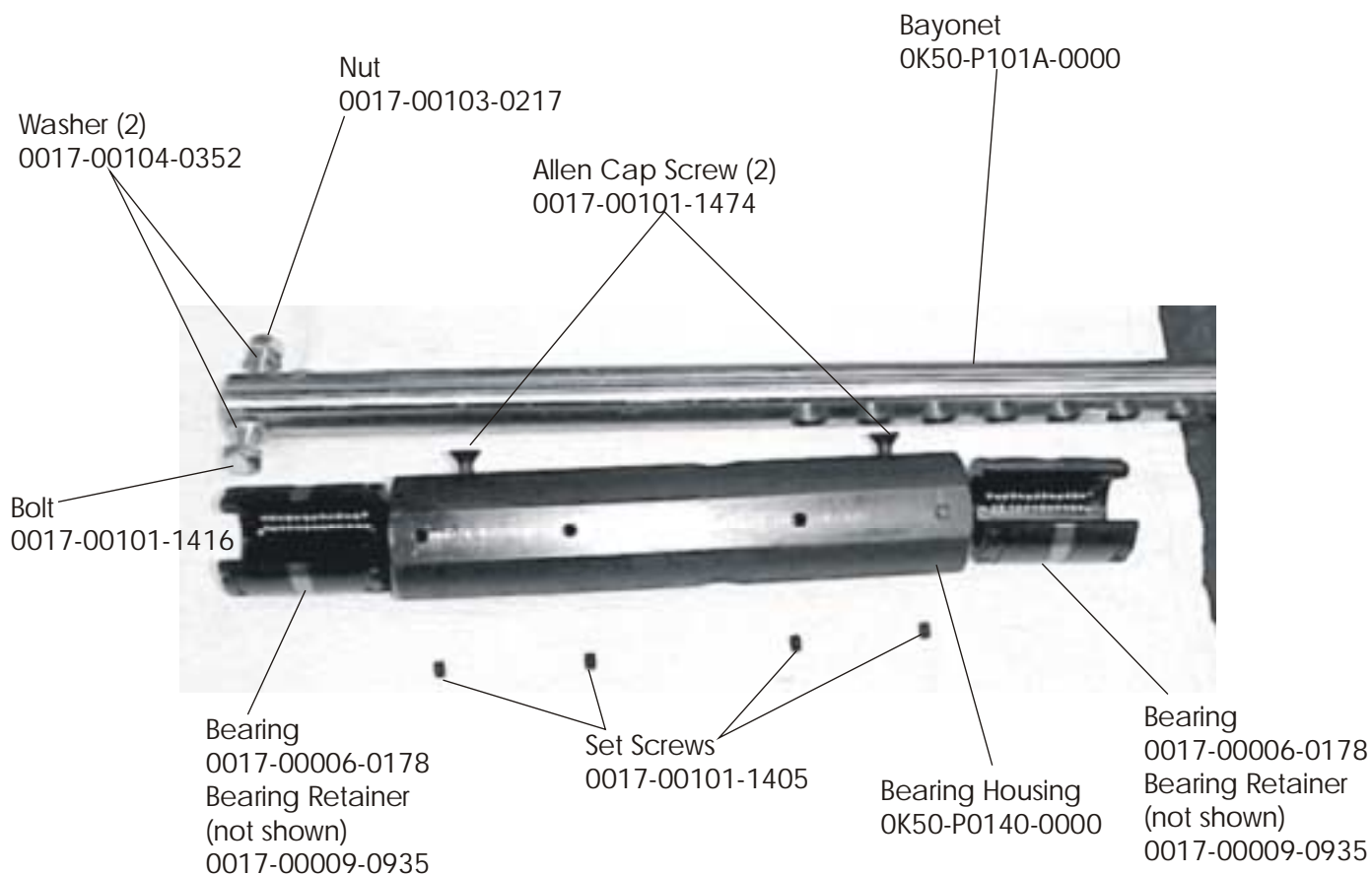
STRENGTH 9000 SERIES TRAINING EQUIPMENT

SL20/25 Leg Extension



STRENGTH 9000 SERIES TRAINING EQUIPMENT

SL20/25 Leg Extension - Under Seat Bearing Housing



STRENGTH 9000 SERIES TRAINING EQUIPMENT

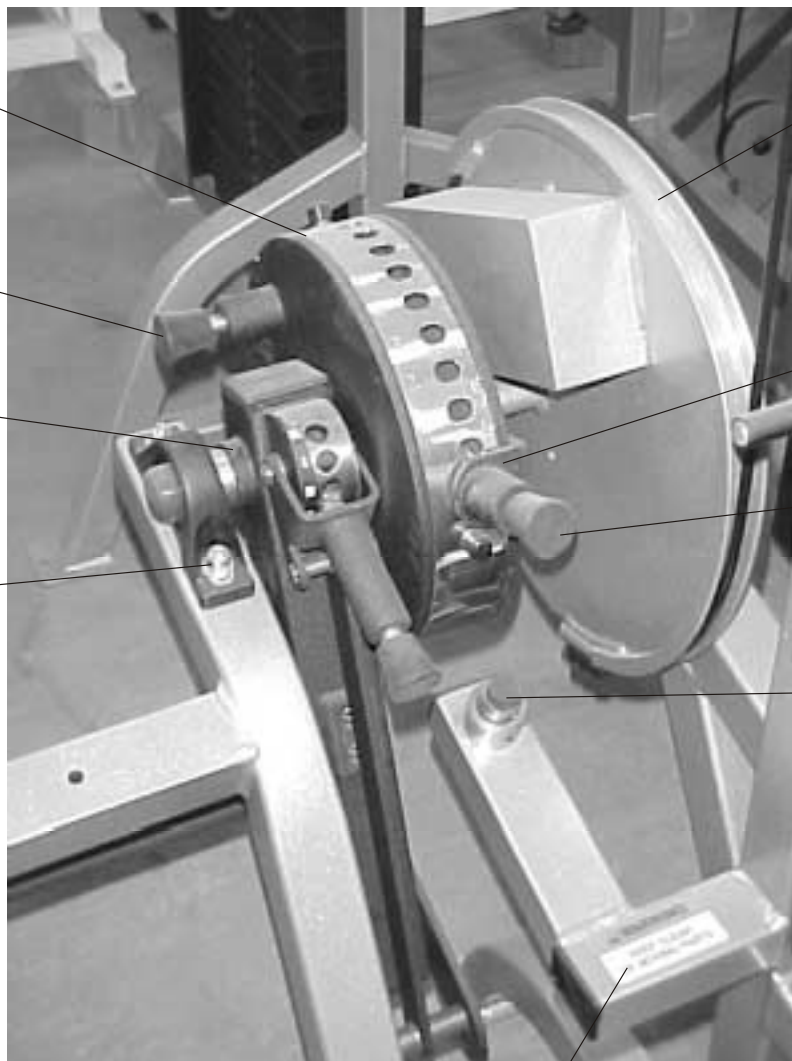
SL20/25 Leg Extension - Range Limiter

Polished Hub
 SL25-S0006-0000
 SL35-S0005-0000
 SL45 AK50-S0012-0000
 ST25-S0006-0000

Pull Pin Kit
 SK50-S0008-0000

Shaft Collar
 0017-00009-0942

3-1/4" Bolt
 0017-00101-1425
 Washer
 0017-00104-0313
 Cap Washer
 0017-00104-0368
 3/8" Nut
 0017-00103-0229
 Star Washer
 0017-00009-0937
 Back Cap
 0017-00042-0949



Cam Assembly
 SL25-S0008-0000
 SL35-S0003-0000
 SL45-S0011-0000
 ST25-S0010-0000

Common Plate
 AK50-S0008-0000
 (Used on all R/L Units)

Pull Pin Kit
 SK50-S0008-0000

Brass Bushing
 0017-0009-0925
 Machined Part
 OK50-PO324-0000
 Spring
 0017-0009-0995
 Rubber Stop
 0017-00103-0265
 Set Screw
 0017-00101-1448

Small Warning Decal
 M051-00293-A000

OLD STYLE Tibia (Kicker)
 SL25-S0005-0000
 SL35-S0004-0000
 SL45-S0011-0000
 ST25-S0005-0000

Service Bulletin



Bulletin #	Revision	Distribution	Date	Author
ST01041701	Original	<input checked="" type="checkbox"/> Domestic <input type="checkbox"/> International	April 17, 2001	Taylor

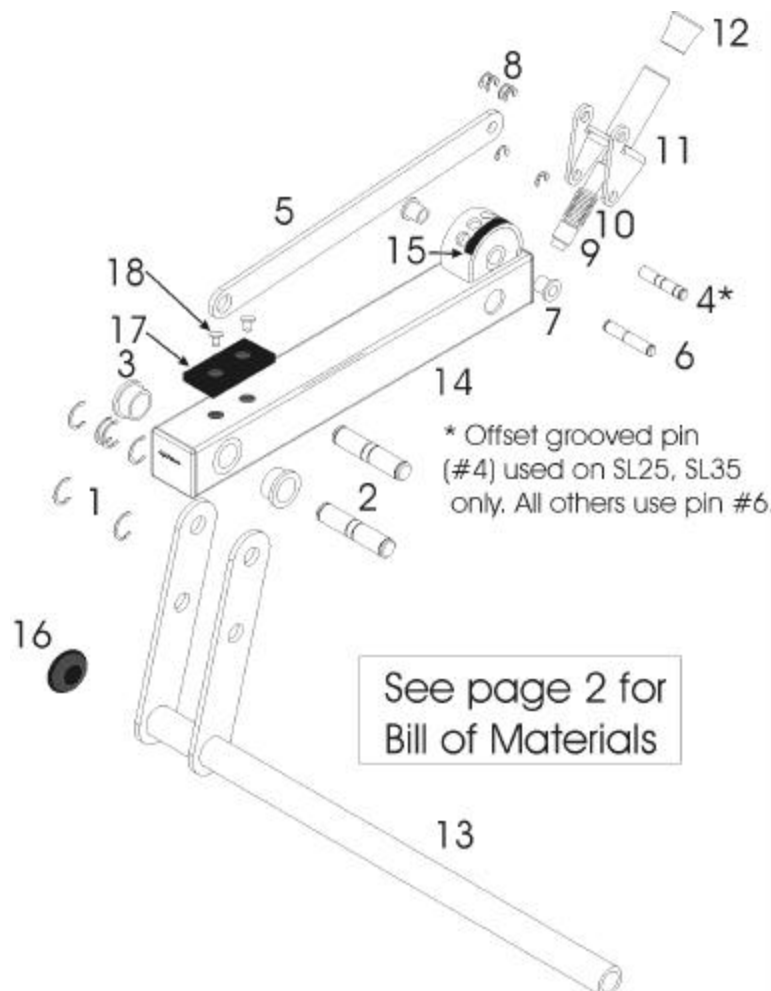
Subject: Redesigned Tibia Adjustment Mechanism

Serial Number: SL20 SN064553, SL25 SN064574, SL30 SN070587, SL35 SN070857, SL40 SN064555, SL45 SN064712, ST20 SN070509, and ST25 SN070642

Time Required: 15 min 30 min 45 min 1 hr +

Classification: Internal Dealer General

A redesigned tibia adjustment mechanism is factory installed on models and serial numbers as indicated above. Use exploded view and the corresponding parts list as necessary.



PARTS FOR TIBIA ADJUSTMENT MECHANISM			
Item	Qty	Part Number	Description
1	6	0017-00100-0192	3/4" Retaining Clips
2	2	0K50-P0544-0000	3/4" Grooved Pins
3	2	0017-00009-0929	3/4" Bushings
4	1	0K50-P0582-0000	7/16" Offset Pin (SL25 and SL35)
5	1	0K50-P0573-0000	Kicker Link (SL40 and SL45)
5	1	0K50-P0553-0000	Kicker Link (SL20 and SL25)
6	1	0K50-00564-0000	7/16" Grooved Pin
7	2	0017-00009-0931	7/16" Bushings
8	6	0017-00100-0191	7/16" Retaining Clips
9	1	0K50-P0121-0000	Handle Pin
10	1	0017-00009-0994	Spring
11	1	AK50-S0030-0000	Pull Pin Bracket
12	1	0017-00009-1077	Tulip Handle
13	1	AK50-S0031-0000	Swivel Pad Mount
14	1	SL20-S0011-0000	Kicker Tube
		SL25-S0009-0000	
		SL30-S0005-0000	
		SL35-S0001-0000	
		SL40-S0014-0000	
		SL45-S0012-0000	
		ST25-S0011-0000	
		ST20-S0008-0000	
15	1	M051-00360-A000	Letter Strip (SL20 and SL25)
		M051-00362-A000	Letter Strip (SL30, SL35, SL40, SL45, ST20, ST25)
16	1	0017-00009-1091	Black Cap
17	1	0017-00042-1032	Bumper
18	2	0017-00072-0136	Rivets