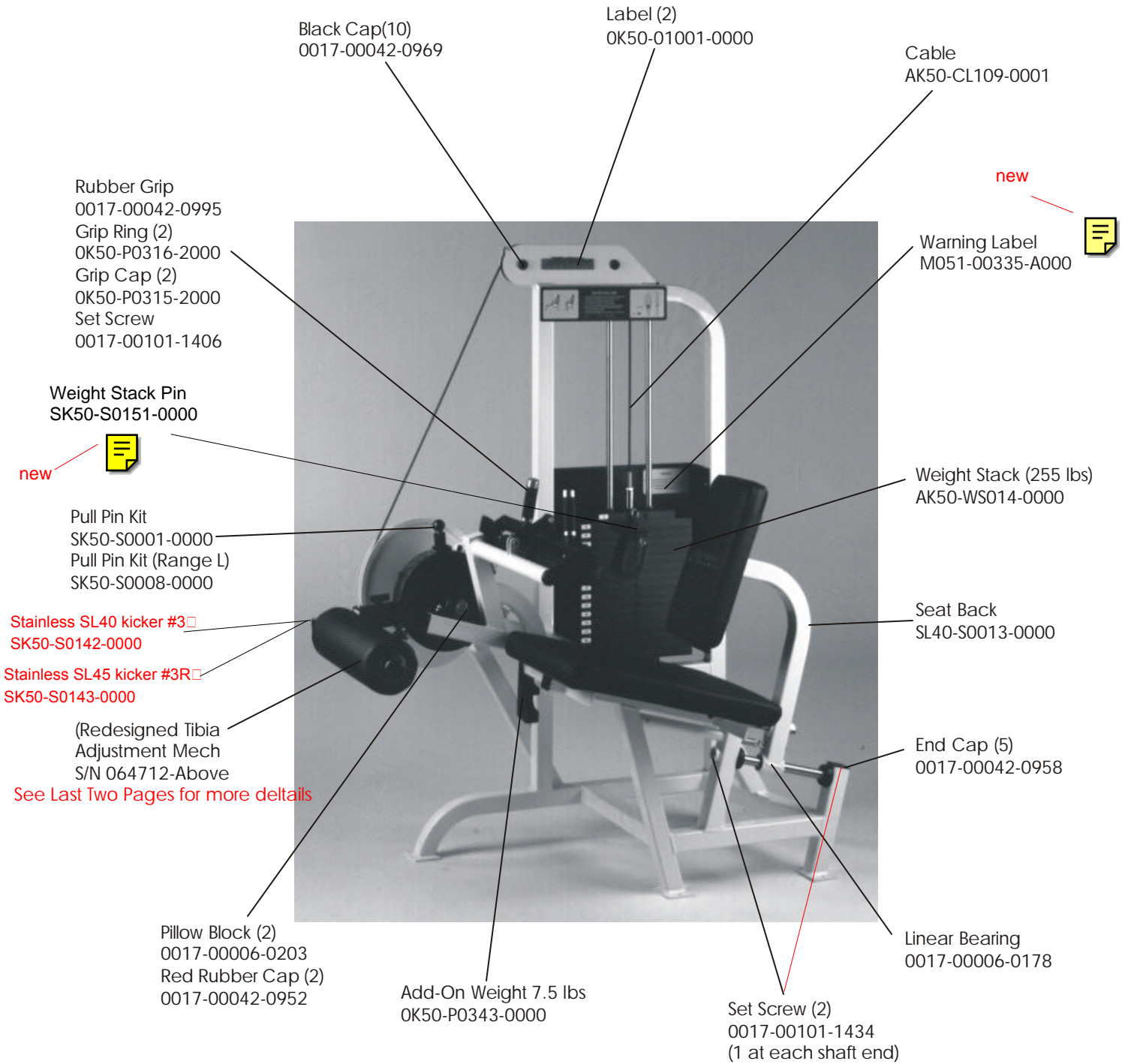


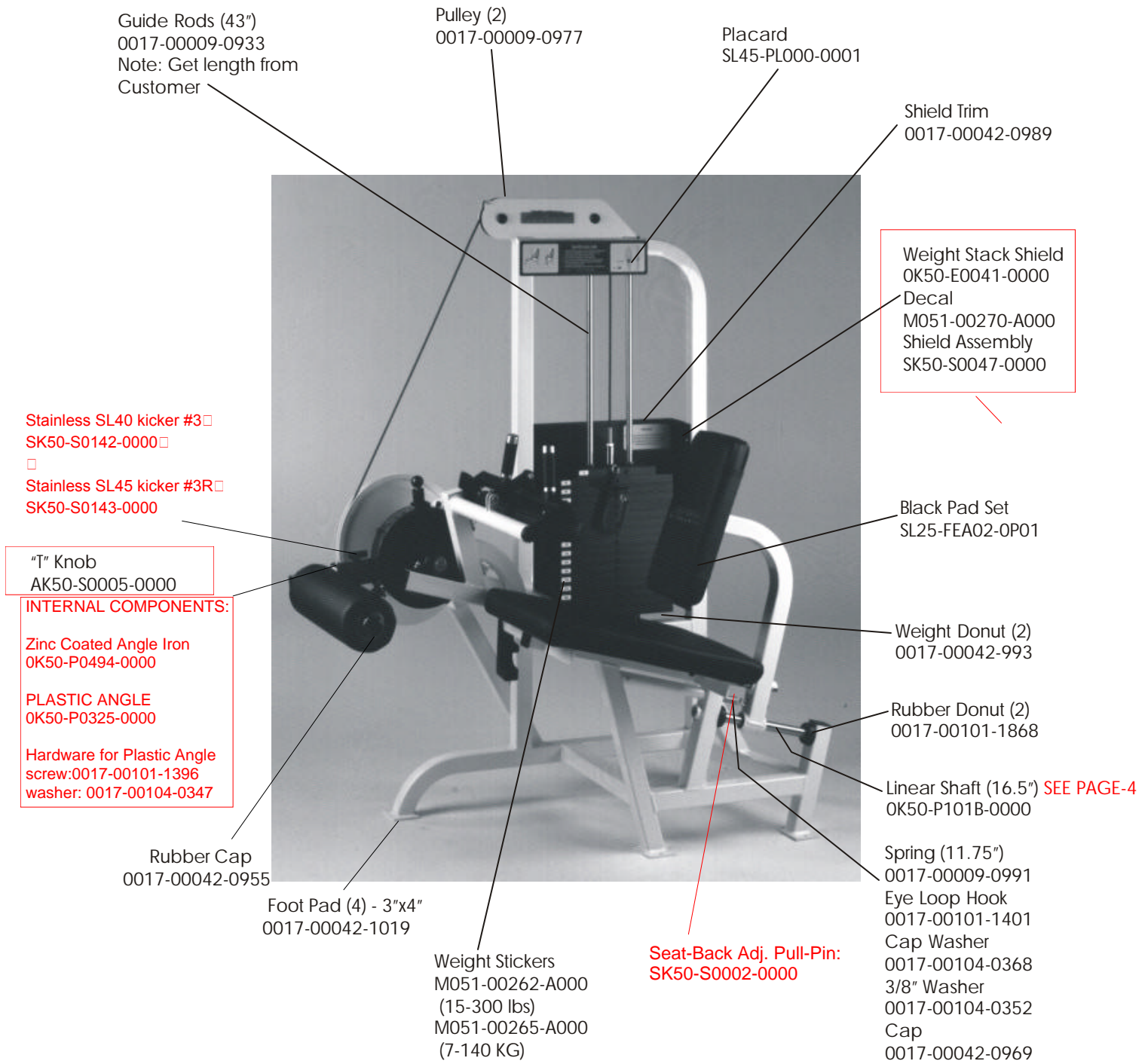
STRENGTH 9000 SERIES TRAINING EQUIPMENT

SL40/45 Seated Leg Curl



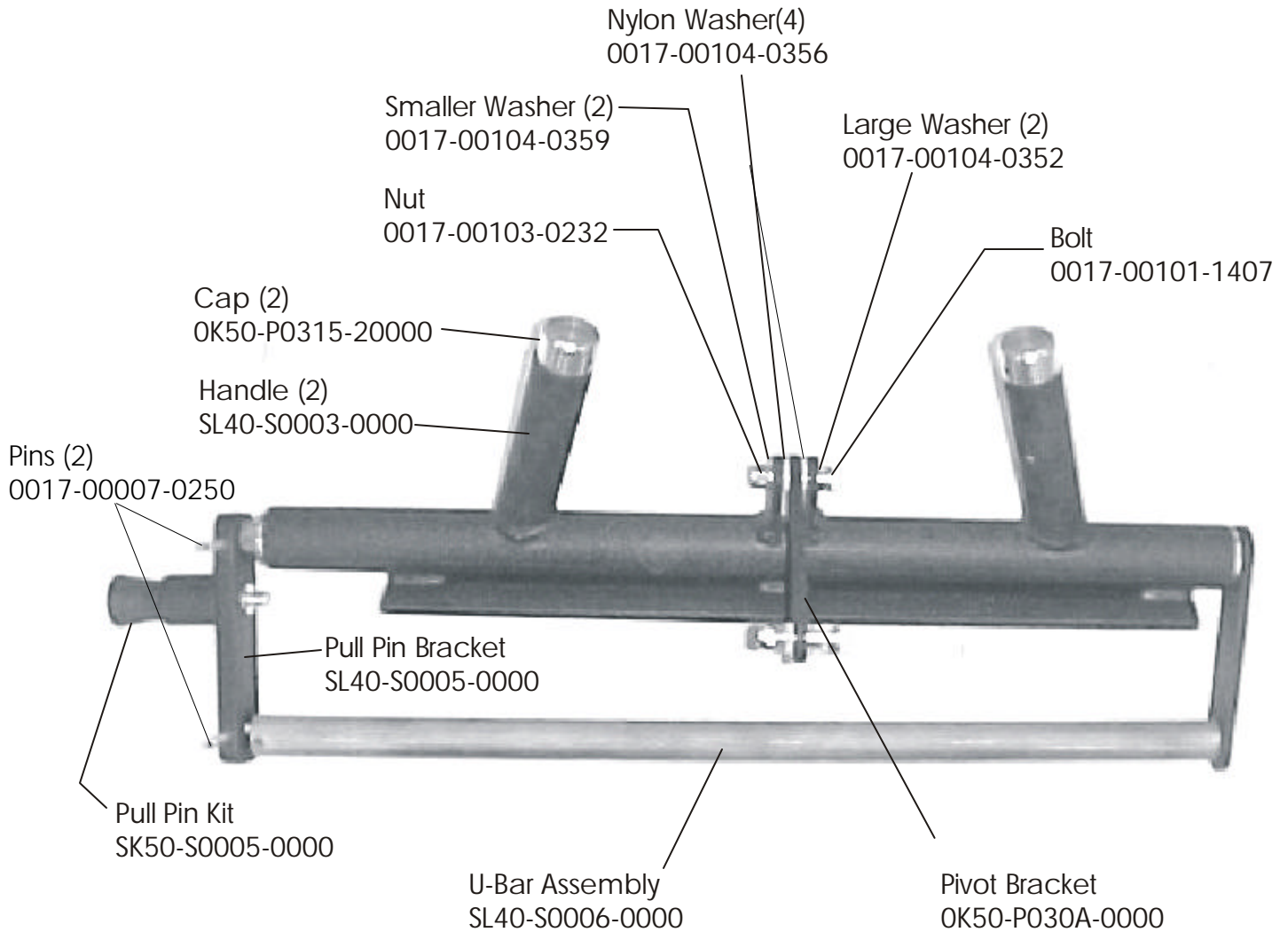
STRENGTH 9000 SERIES TRAINING EQUIPMENT

SL20/25 Leg Extension



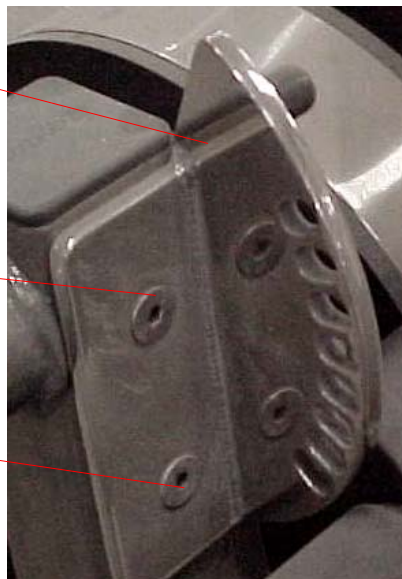
STRENGTH 9000 SERIES TRAINING EQUIPMENT

Thigh Pad Restraint Mechanism



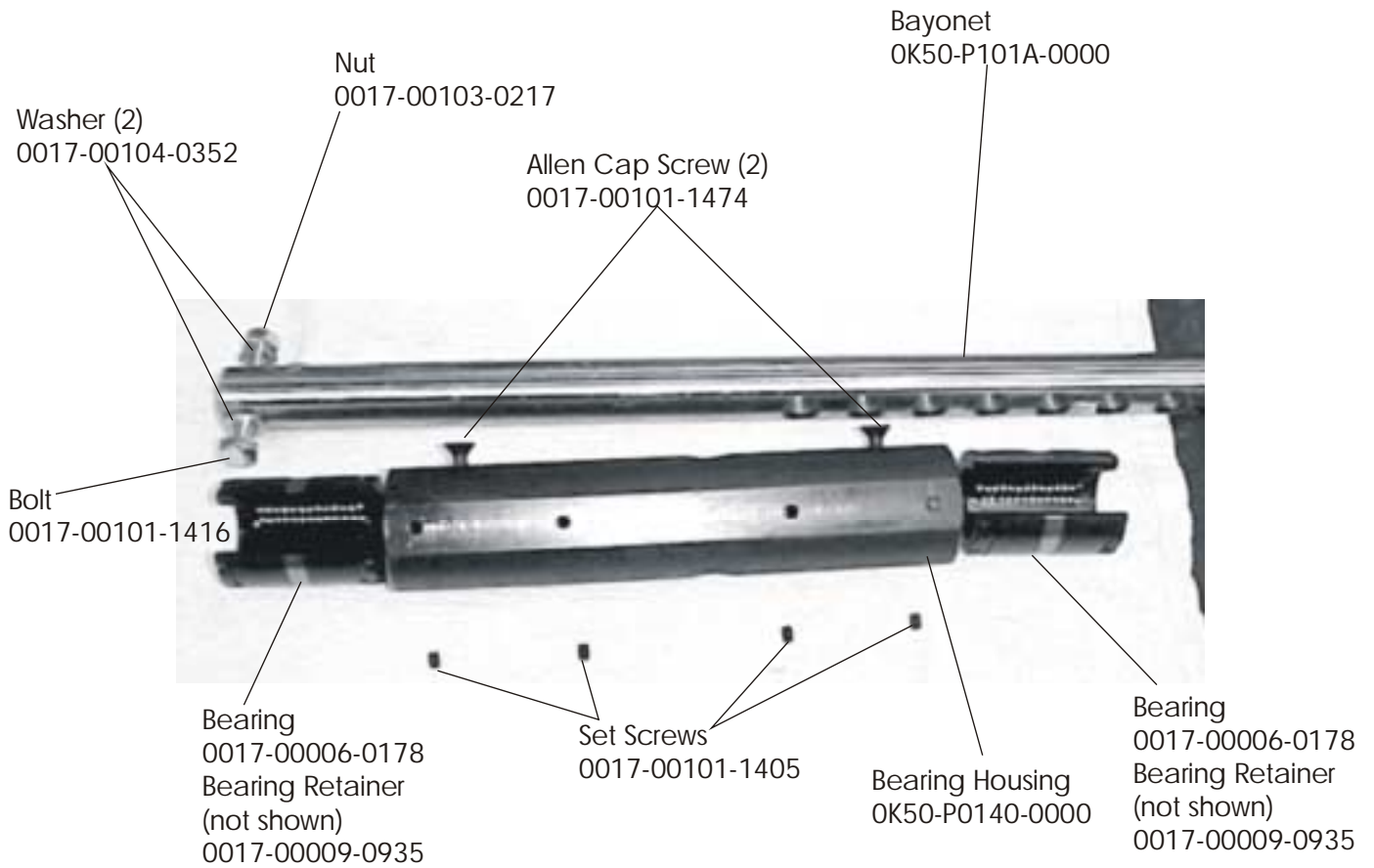
Chrome Selector Housing □
 SL40-S0007-0000

Allen Screw □
 0017-00101-1558 □
 □
 □
 Allen Bolt □
 0017-00101-1514 □
 5/16" Nut □
 0017-00103-0239 □
 Washer □
 0017-00104-0368 □
 Finishing Cap □
 0017-00042-0969 □



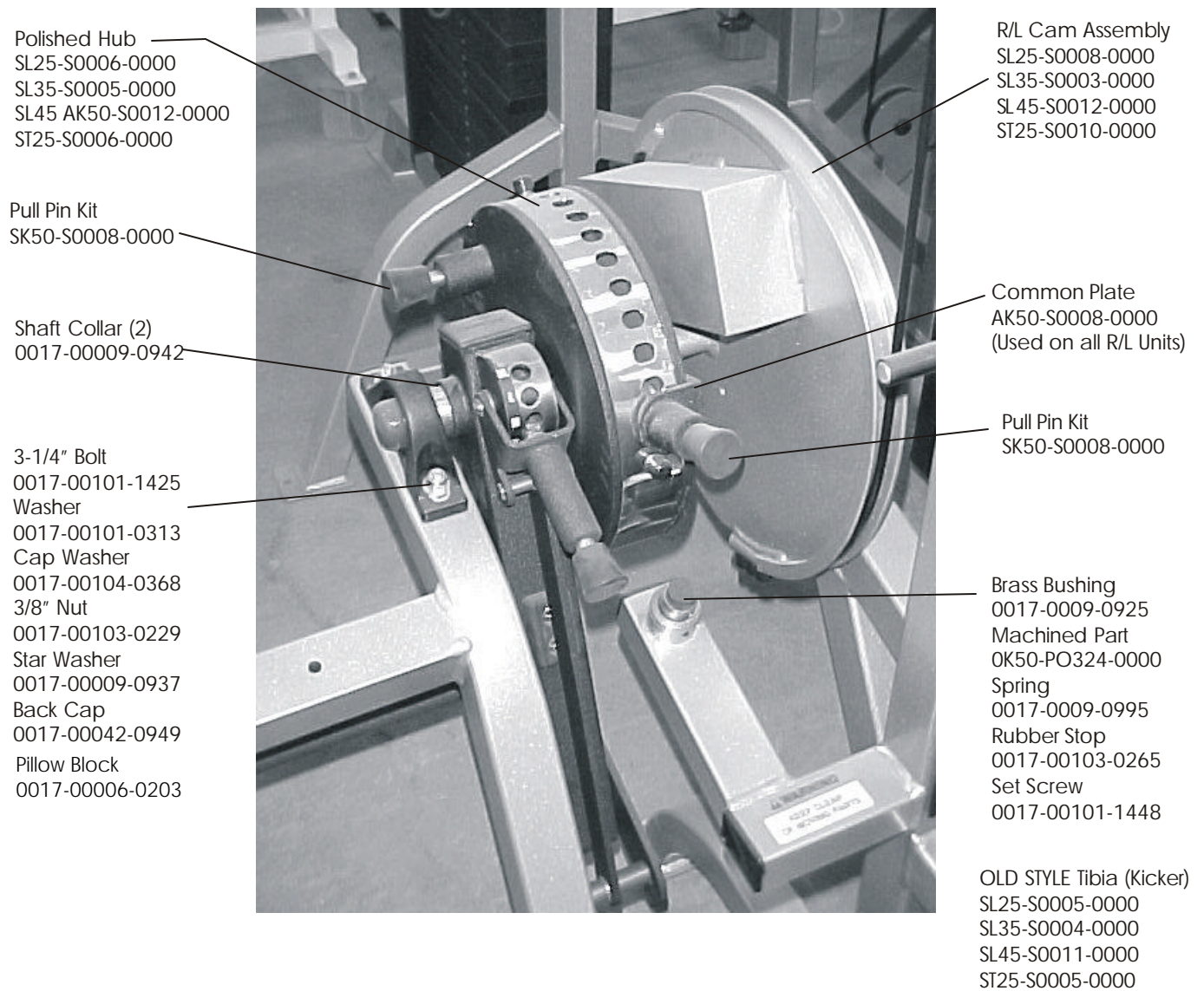
STRENGTH 9000 SERIES TRAINING EQUIPMENT

SL20/25/40/45 Leg Extension/Curl - Under Seat Bearing Housing



SL25: STRENGTH 9000 SERIES TRAINING EQUIPMENT

Range Limiter



Service Bulletin



| Bulletin # | Revision | Distribution | Date | Author |
|------------|----------|---|----------------|--------|
| ST01041701 | Original | <input checked="" type="checkbox"/> Domestic <input type="checkbox"/> International | April 17, 2001 | Taylor |

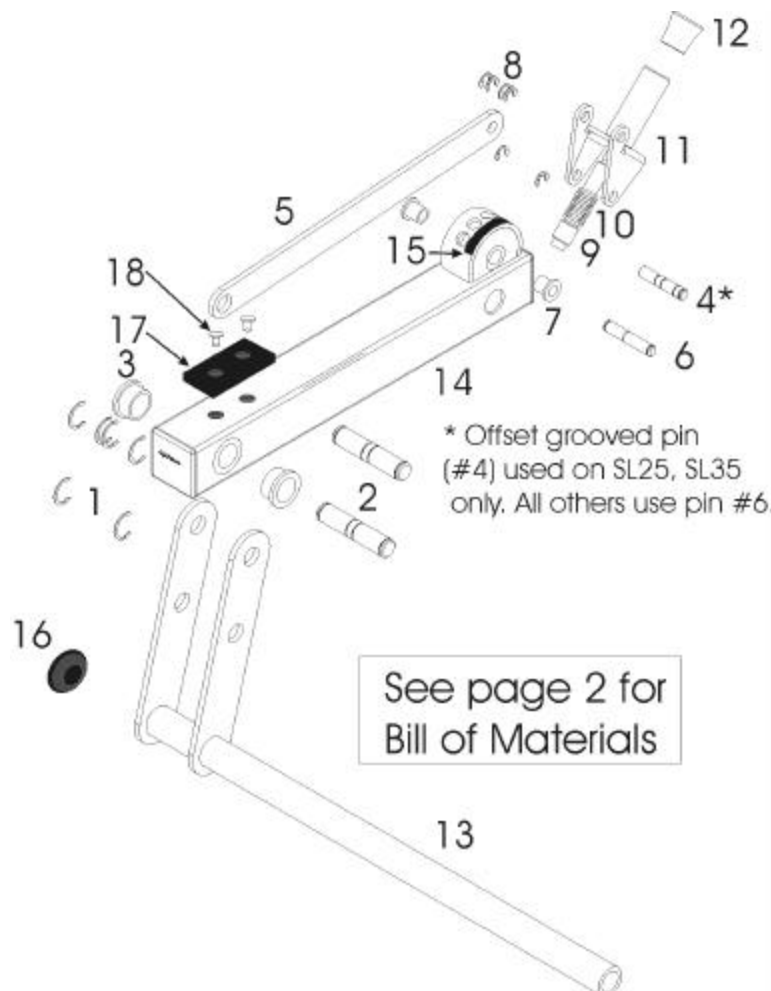
Subject: Redesigned Tibia Adjustment Mechanism

Serial Number: SL20 SN064553, SL25 SN064574, SL30 SN070587, SL35 SN070857, SL40 SN064555, SL45 SN064712, ST20 SN070509, and ST25 SN070642

Time Required: 15 min 30 min 45 min 1 hr +

Classification: Internal Dealer General

A redesigned tibia adjustment mechanism is factory installed on models and serial numbers as indicated above. Use exploded view and the corresponding parts list as necessary.



PARTS FOR TIBIA ADJUSTMENT MECHANISM

| Item | Qty | Part Number | Description |
|------|-----|-----------------|---|
| 1 | 6 | 0017-00100-0192 | 3/4" Retaining Clips |
| 2 | 2 | 0K50-P0544-0000 | 3/4" Grooved Pins |
| 3 | 2 | 0017-00009-0929 | 3/4" Bushings |
| 4 | 1 | 0K50-P0582-0000 | 7/16" Offset Pin (SL25 and SL35) |
| 5 | 1 | 0K50-P0573-0000 | Kicker Link (SL40 and SL45) |
| 5 | 1 | 0K50-P0553-0000 | Kicker Link (SL20 and SL25) |
| 6 | 1 | 0K50-00564-0000 | 7/16" Grooved Pin |
| 7 | 2 | 0017-00009-0931 | 7/16" Bushings |
| 8 | 6 | 0017-00100-0191 | 7/16" Retaining Clips |
| 9 | 1 | 0K50-P0121-0000 | Handle Pin |
| 10 | 1 | 0017-00009-0994 | Spring |
| 11 | 1 | AK50-S0030-0000 | Pull Pin Bracket |
| 12 | 1 | 0017-00009-1077 | Tulip Handle |
| 13 | 1 | AK50-S0031-0000 | Swivel Pad Mount |
| 14 | 1 | SL20-S0011-0000 | Kicker Tube |
| | | SL25-S0009-0000 | |
| | | SL30-S0005-0000 | |
| | | SL35-S0001-0000 | |
| | | SL40-S0014-0000 | |
| | | SL45-S0012-0000 | |
| | | ST25-S0011-0000 | |
| | | ST20-S0008-0000 | |
| 15 | 1 | M051-00360-A000 | Letter Strip (SL20 and SL25) |
| | | M051-00362-A000 | Letter Strip (SL30, SL35, SL40, SL45, ST20, ST25) |
| 16 | 1 | 0017-00009-1091 | Black Cap |
| 17 | 1 | 0017-00042-1032 | Bumper |
| 18 | 2 | 0017-00072-0136 | Rivets |