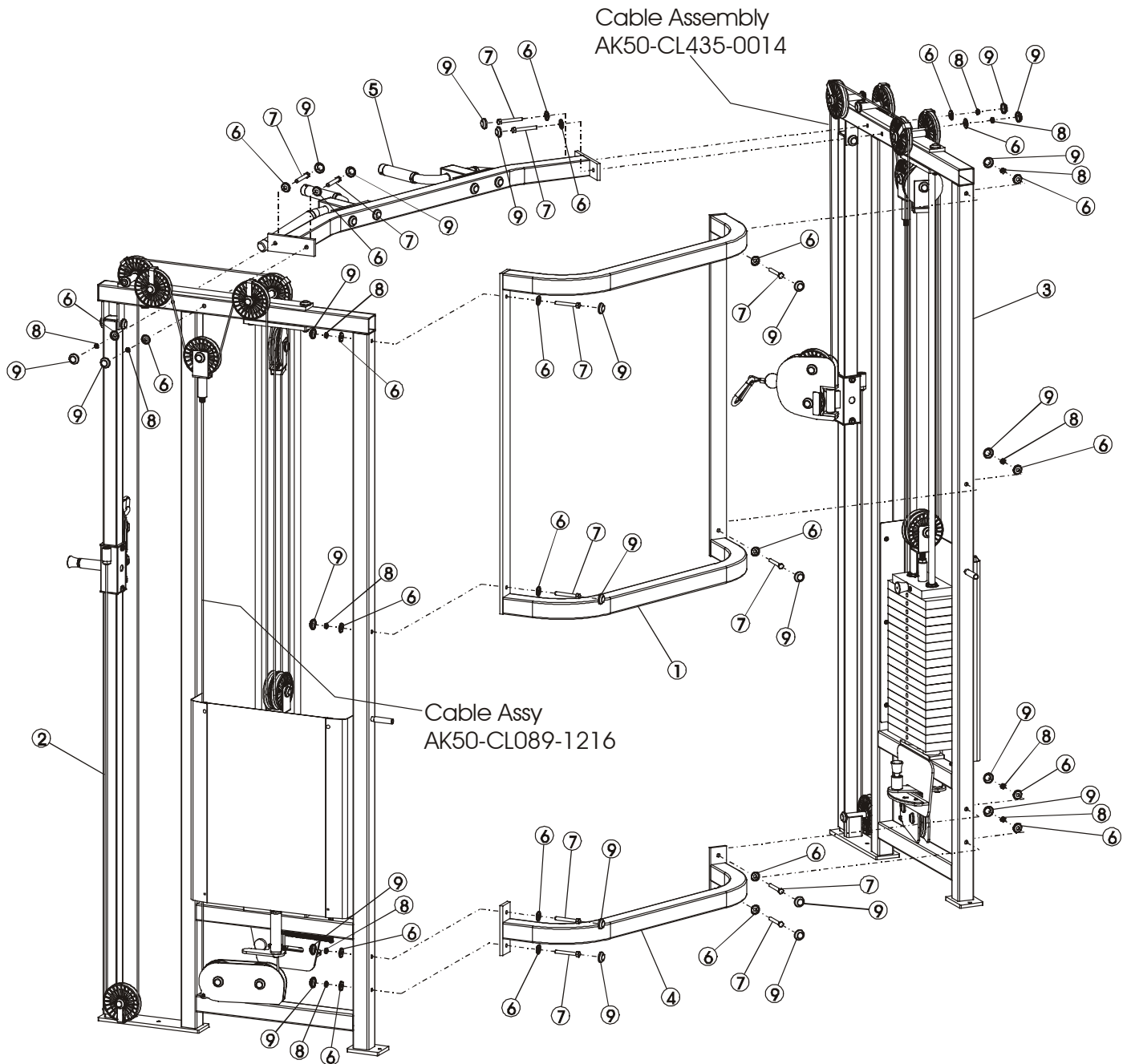


STRENGTH 9000 SERIES TRAINING EQUIPMENT

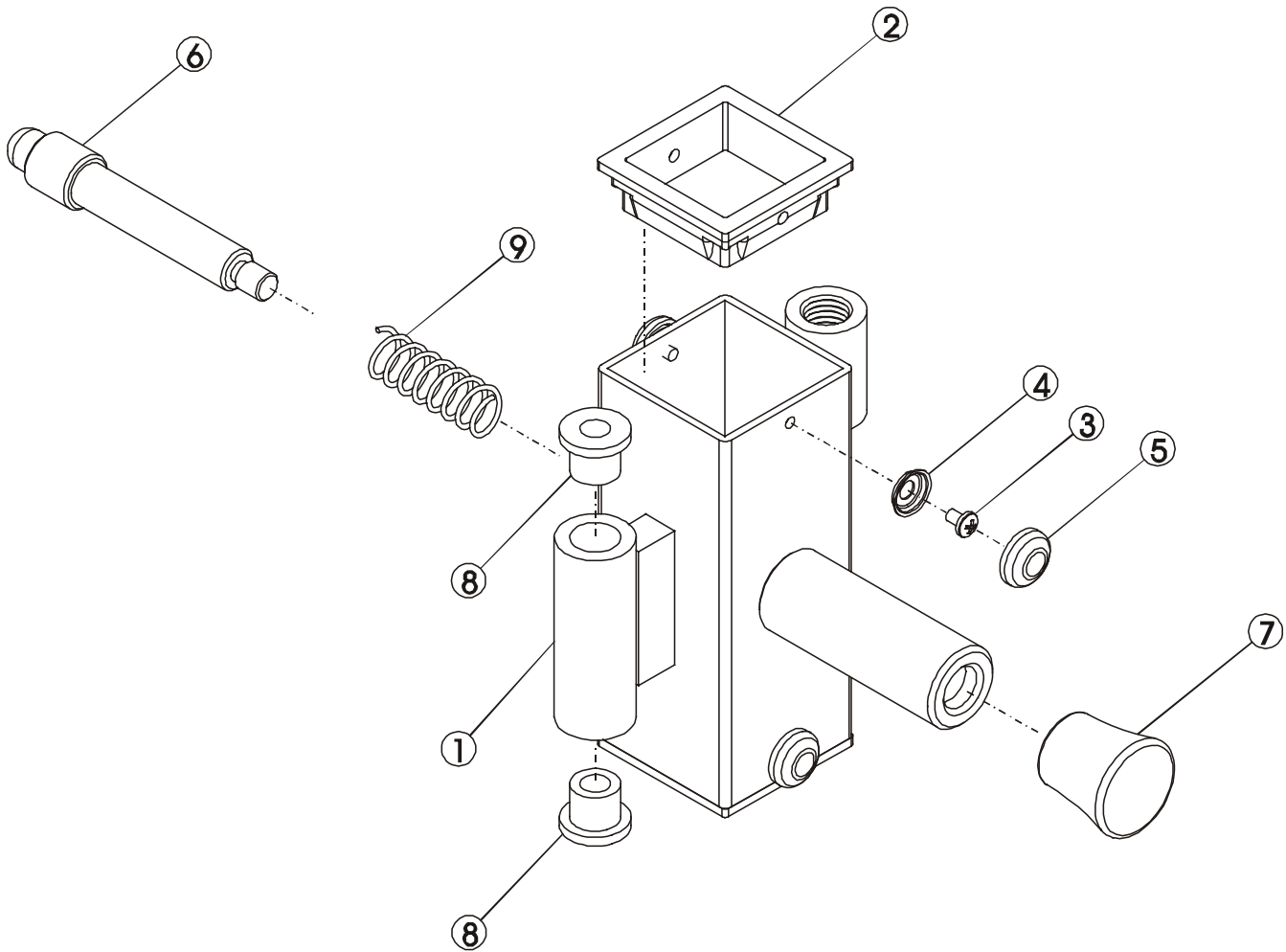
SM22 Dual Adjustable Pulley



ITEM NO.	QTY.	PART NO.	DESCRIPTION
1	1	SM22-S0003-0000	REAR FRAME - WELDED ASSY
2	1	SM22-A0002-0000	FRAME ASSY - RT
3	1	SM22-A0003-0000	FRAME ASSY - LT
4	1	SM22-S0006-0000	REAR FRAME, LOWER -
5	1	SM22-A0006-0000	PULL UP BAR ASSY
6	24	0017-00104-0368	CAPLUG WASHER; RHW 205
7	12	0017-00101-1408	3/8 - 16 X 44 UNS HEX BLT G5 ZN
8	12	0017-00103-0217	NUT 3/8 - NYLOC; THIN NY NO
9	24	0017-00042-0969	CAPLUG CAP; RH-20
	1	M051-00623-A000	Poster

STRENGTH 9000 SERIES TRAINING EQUIPMENT

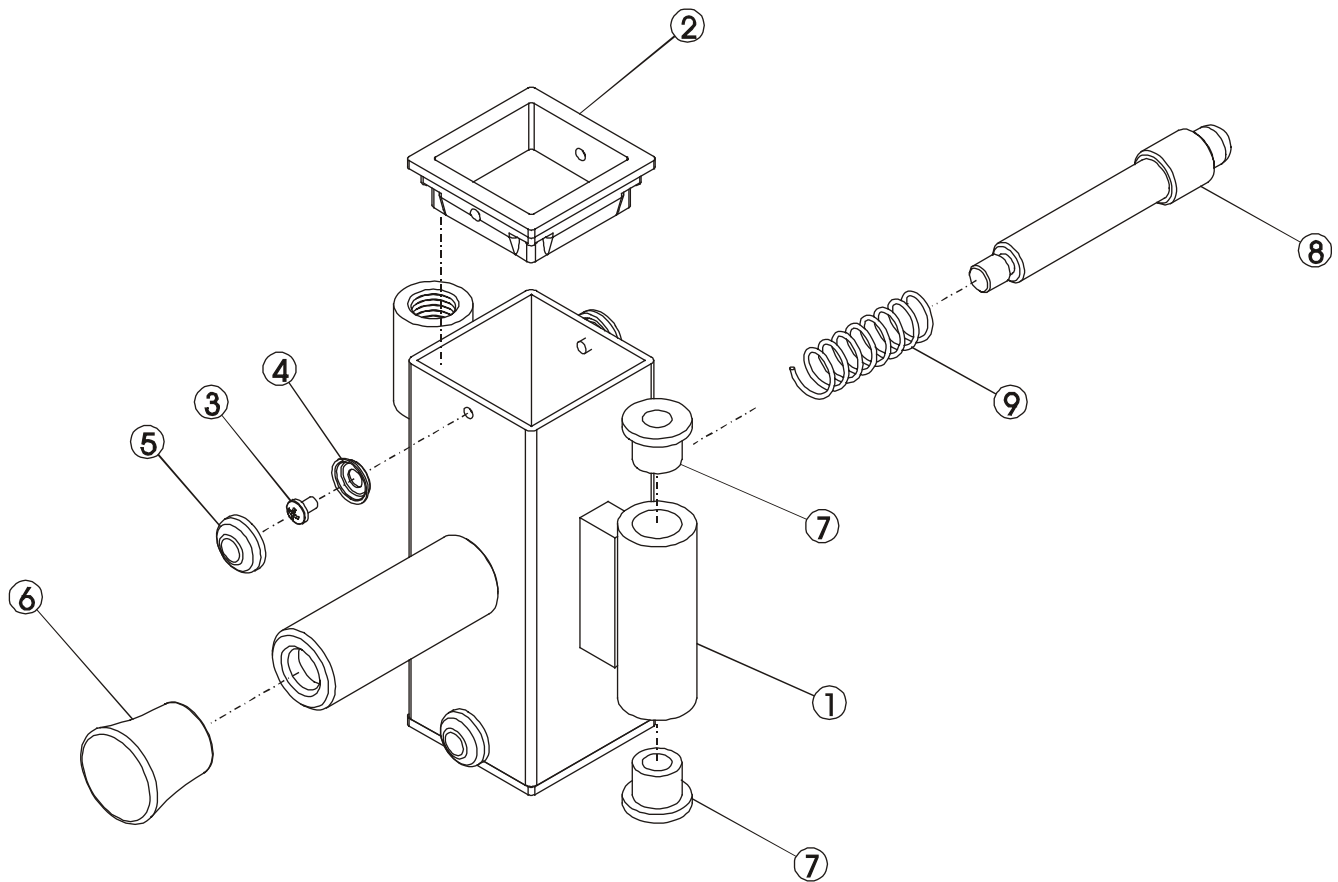
SM22 - Right Selector Assembly



ITEM NO.	QTY.	PART NO.	DESCRIPTION
1	1	SM22-S0009-0000	SELECTOR, RT - WELDED ASSY
2	2	0017-00042-0998	INSERT: PLASTIC; SEAT 2 X 2
3	4	0017-00101-1524	#8 X 1/4" PAN HEAD PLASTITE
4	4	0017-00104-0365	CAPLUG WASHER; RHW 105
5	4	0017-00042-0968	CAPLUG CAP; RH-10
6	1	OK50-PO121-0000	PULL PIN
7	1	0017-00009-1077	KNOB, BLACK TULIP STYLE
8	2	0017-00009-0931	7/16 I.D. BRASS BUSHING
9	1	0017-00009-0994	SPRING; PULL PIN LARGE

STRENGTH 9000 SERIES TRAINING EQUIPMENT

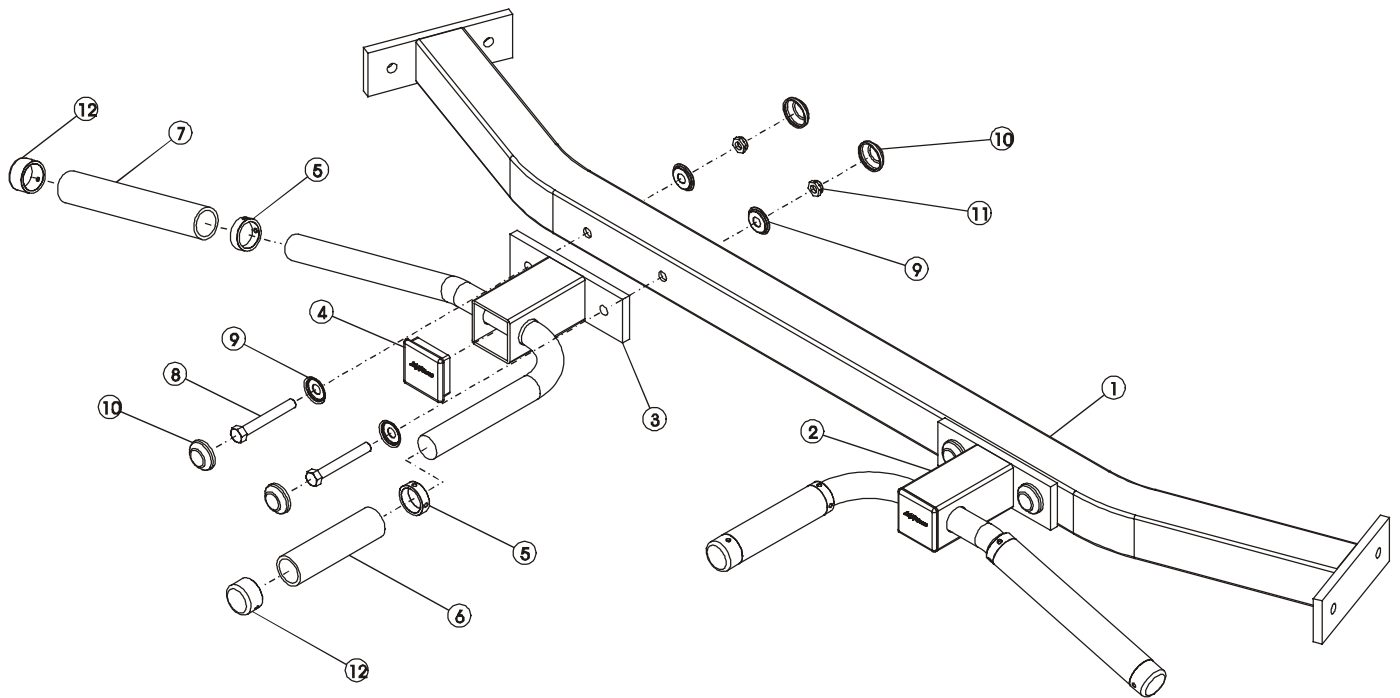
SM22 - Left Selector Assembly



ITEM NO.	QTY.	PART NO.	DESCRIPTION
1	1	SM22-S0010-0000	SELECTOR, LT - WELDED ASSY
2	2	0017-00042-0998	INSERT: PLASTIC; SEAT 2 X 2
3	4	0017-00101-1524	#8 X 1/4" PAN HEAD PLASTITE
4	4	0017-00104-0365	CAPLUG WASHER; RHW 105
5	4	0017-00042-0968	CAPLUG CAP; RH-10
6	1	0017-00009-1077	KNOB, BLACK TULIP STYLE
7	2	0017-00009-0931	7/16 I.D. BRASS BUSHING
8	1	OK50-PO121-0000	PULL PIN
9	1	0017-00009-0994	SPRING; PULL PIN LARGE

STRENGTH 9000 SERIES TRAINING EQUIPMENT

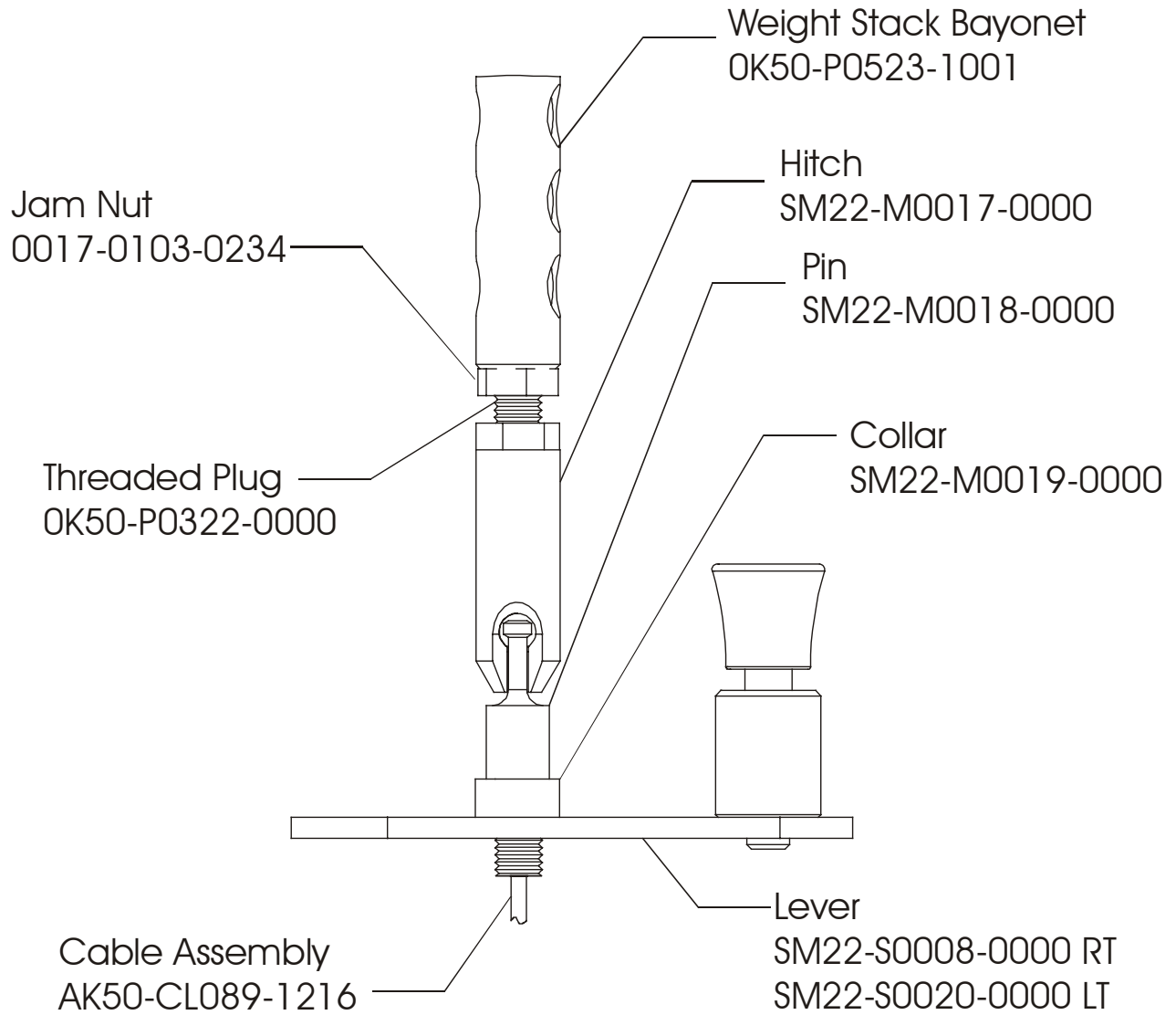
SM22 - Pull-Up Bar Assembly



ITEM NO.	QTY.	PART NO.	DESCRIPTION
1	1	SM22-S0007-0000	PULL UP BAR - WELDED ASSY
2	1	SM22-S0014-0000	PULL UP HANDLE, RT -
3	1	SM22-S0015-0000	PULL UP HANDLE, LT -
4	2	0017-00042-0958	2X2 BLACK PLASTIC CAP
5	4	OK50-P0315-1000	ALUMINUM END CAP
6	2	0017-00042-0995	RUBBER GRIP 1" DIA, 4.50" LG
7	2	0017-00042-0995	RUBBER GRIP 1" DIA, 7.50" LG
8	4	0017-00101-1408	3/8 - 16 X 44 UNS HEX BLT G5 ZN
9	8	0017-00104-0368	CAPLUG WASHER; RHW 205
10	8	0017-00042-0969	CAPLUG CAP; RH-20
11	4	0017-00103-0217	NUT 3/8 - NYLOC; THIN NY NO
12	4	OK50-P0315-2000	ALUMINUM END CAP

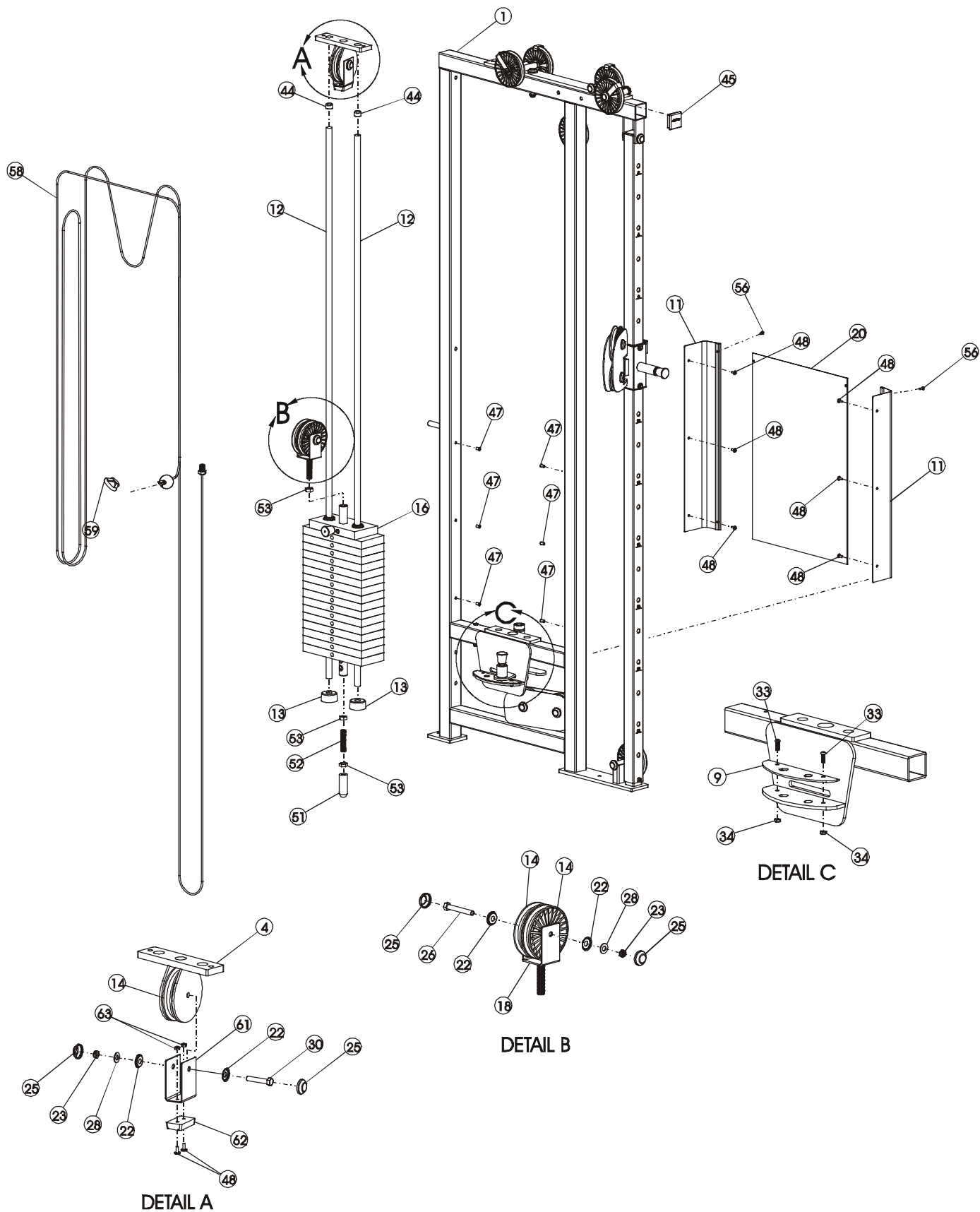
STRENGTH 9000 SERIES TRAINING EQUIPMENT

SM22 - Cable Attachment Components



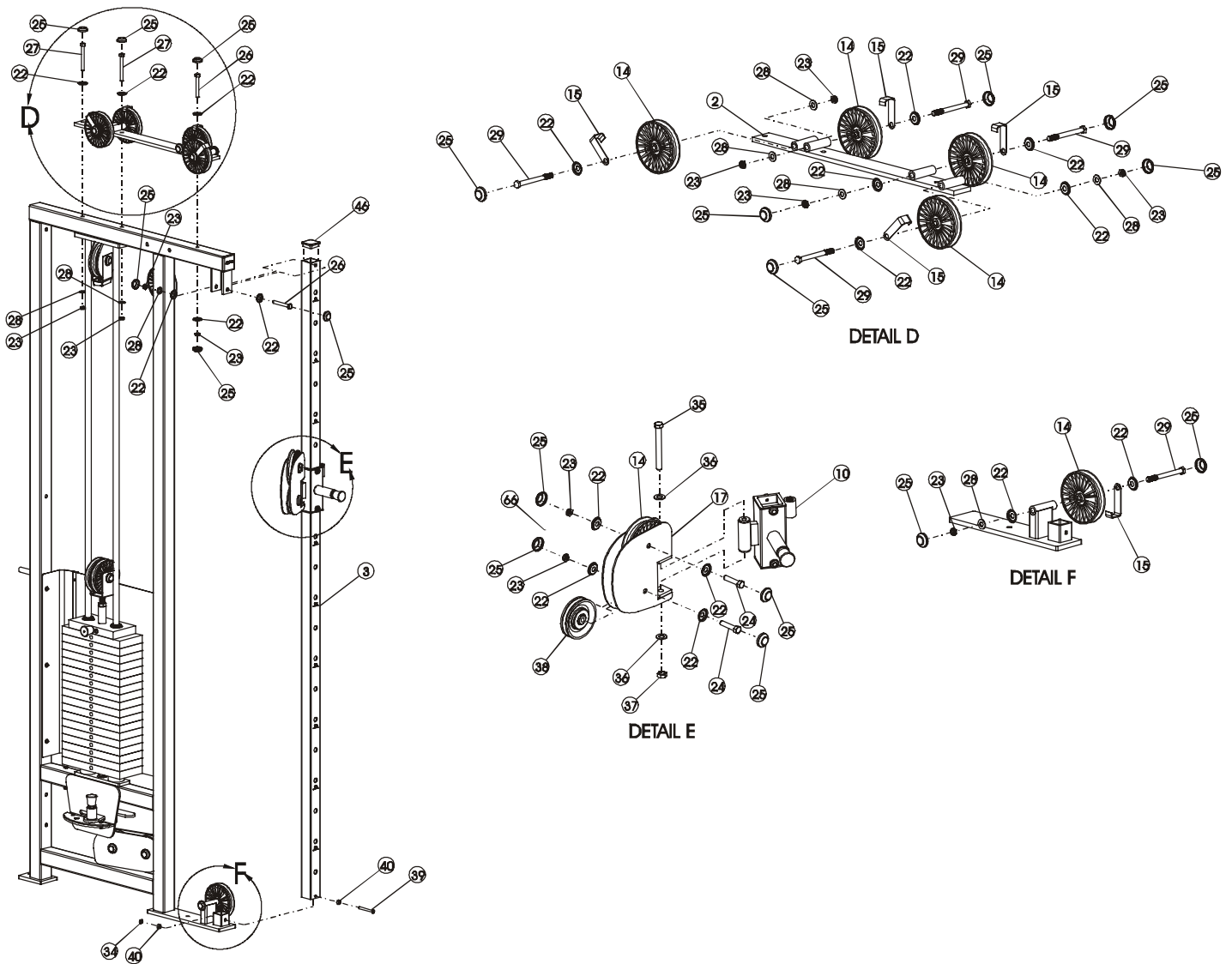
STRENGTH 9000 SERIES TRAINING EQUIPMENT

SM22 - Frame Assembly - Index on Last Page



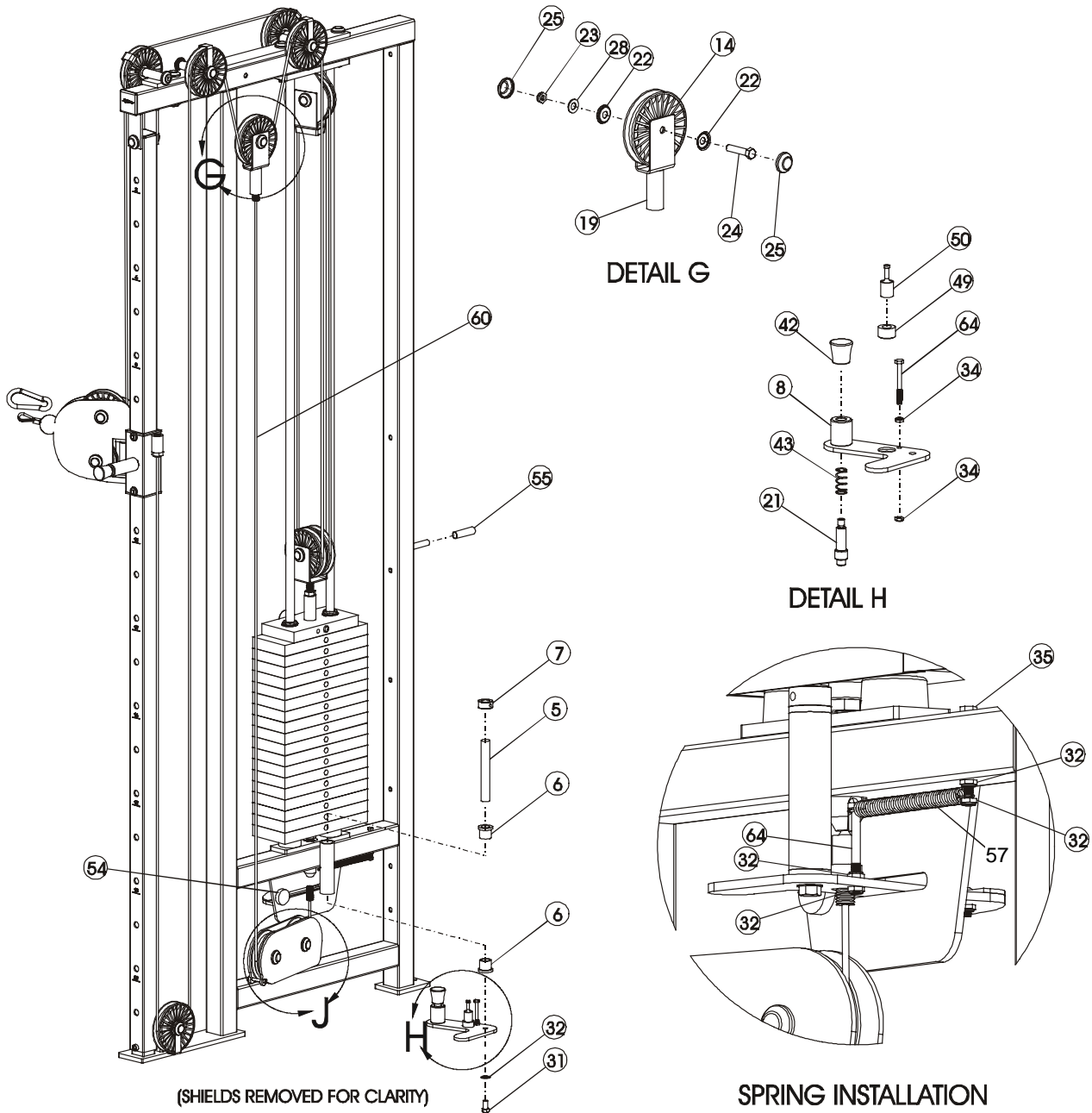
STRENGTH 9000 SERIES TRAINING EQUIPMENT

SM22 - Frame Assembly - Index on Last Page



STRENGTH 9000 SERIES TRAINING EQUIPMENT

SM22 - Frame Assembly - Index on Last Page



ITEM NO.	QTY.	PART NO.	DESCRIPTION	ITEM NO.	QTY.	PART NO.	DESCRIPTION
1	1	SM22-S0001-0000	RT FRAME-WELDED ASSEMBLY	37	1	0017-00103-0241	NUT 7/16-14 THIN NYLOC D ST ZN
2	1	SM22-S0004-0000	TOP PULLEY BAR, RT	38	1	0017-00009-1075	3-1/2" PULLEY W/1" HUB
3	1	SM00-M0001-0000	JUNGLE SS ADJ PULLE	3	1	0017-00101-1521	1/4 - 20 X 40 HXS BUT BLT G8 ZN
4	1	SM22-S0012-0000	TOP PLATE, RT - WELDED ASSY	40	2	0017-00104-0349	1/4 SPACER
5	1	SM22-M0013-0000	PIVOT - LEVER	41	1	0017-00101-1399	1/4-20X44 UNS HEX BLT G5
6	2	0017-00009-0929	3/4 ID OILITE BUSHING; FLANGE	42	1	0017-00009-1077	KNOB, BLACK TULIP STYLE
7	1	0017-00009-1019	3/4" LOCK COLLAR	43	1	0017-00009-0998	SPRING, PULL PIN SMALL 1-3/8
8	1	SM22-S0008-0000	LEVER, RT - WELDED ASSY	44	2	0017-00042-0967	3/4 ID BLACK PLASTIC ROD CAP
9	1	SM22-M0022-0100	TOP LOCKING PLATE	45	1	0017-00042-0958	2X2 BLACK PLASTIC CAP
10	1	SM22-A0004-0000	SELECTOR ASSY - RT	46	1	0017-00042-0947	1-3/4" X 1-3/4" 11 GAUGE PLASTIC CAP
11	2	OK50-E0038	2.5" STANDARD SIDE SHIELD	47	6	0017-00103-0212	NUT 10-24 NUTSERT ST ZN
12	2	SM22-M0023-0000	GUIDE ROD - DUAL ADJ PULLEY	48	8	0017-00101-1616	10-24 X 8 PHL PAN MS ST ZN
13	2	0017-00042-0993	WEIGHT STACK DONUT 1" THICK	49	1	SM22-M0019-0000	BOTTOM JAM - CABLE RELEASE
14	12	0017-00009-0977	4-1/2" PULLEY W/1" HUB	50	1	SM22-M0018-0000	PIN - CABLE RELEASE
15	5	OK50-P0519-0000	CABLE GUARD	51	1	SM22-M0017-0000	HITCH - CABLE RELEASE
16	1	AK50-WS019	SM22 WEIGHT STACK	52	1	OK50-P0322-0000	THREADED PLUG
17	1	SM00-S0044-0000	ADJUSTABLE PULLEY HSG. SUB	53	5	0017-00103-0234	NUT 9/16 - 12 JAM D ST ZN
18	1	SM22-S0011-0000	FLTG DBL PULLEY, MALE	54	1	0017-00042-0978	RUBBER STOP
19	1	AK50-S0007-0000	PULLEY, FLOATING FEMALE	55	1	0017-00009-0947	2-1/4" NYLON PEG COVER
20	1	OK50-E0041	PLASTIC SHIELD W/ LOGO	56	2	0017-00101-1587	SHIELD RIVET
21	1	OK50-P0124-0000	PULL PIN	57	1	0017-00009-1074	SPRING
22	28	0017-00104-0368	CAPLUG WASHER; RHW 205	58	1	AK50-CL435-0014	SM22 CABLE - LONG
23	16	0017-00103-0217	NUT 3/8 - NYLOC; THIN NY NO	59	1	0017-00100-0181	SNAP RING; 3/8 CARRIBEANER
24	5	0017-00101-1413	3/8 - 16 X 28 UNS HEX BLT G5 ZN	60	1	AK50-CL089-1216	SM22 CABLE - SHORT
25	28	0017-00042-0969	CAPLUG CAP; RH-20	61	1	OK50-P0532-0000	PULLEY GUARD
26	2	0017-00101-1408	3/8 - 16 X 44 UNS HEX BLT G5 ZN	62	1	0017-00042-1032	RUBBER STOP
27	2	0017-00101-1425	3/8 16 X 52 UNH HEX BLT G5 ZN	63	3	0017-00103-0228	NUT 10 - 24 NYLOC D ST ZN
28	12	0017-00104-0313	3/8" FLAT WASHER	64	1	0017-00101-1397	1/4-20X40 HXS FLT BLT G8
29	5	0017-00101-1420	3/8 - 16 X 64 UNS HEX BLT G5 ZN	65	1	0017-00101-1392	1/4 - 20 X 20 HXS SOC SHL G8 ZN
30	1	0017-00101-1416	3/8-16 X 2.00 UNS HEX BLT ST ZN	66	1	OK50-P0569-0000	PROTECTION STRIP
31	1	0017-00101-1428	3/8-16 X 12 UNS HEX BLT G8 ZN	67	1	M051-00293-A000	WARNING DECAL
32	1	0017-00104-0377	WSH .375 INT LOCK ST ZN	68	1	M051-00427-A000	LEVER ADJ. DECAL (RIGHT)
33	2	0017-00101-1478	1/4 - 20 12 HXS BUT BLT G5 ZN	69	1	M051-00287-A000	PATENT PENDING DECAL
34	7	0017-00103-0227	NUT 1/4 - 20 THIN NYLOC D ST ZN	70	1	M051-00442-A000	MOTION TECHNOLOGY DECAL
35	1	0017-00101-1440	7/16-14 X 64 UNS HEX BLT G8 ZN	71	1	0017-00101-1417	3/8 X 2-1/2 BOLT
36	2	0017-00104-0363	WSH 4375 4375-.750-063 FLAT ZN				