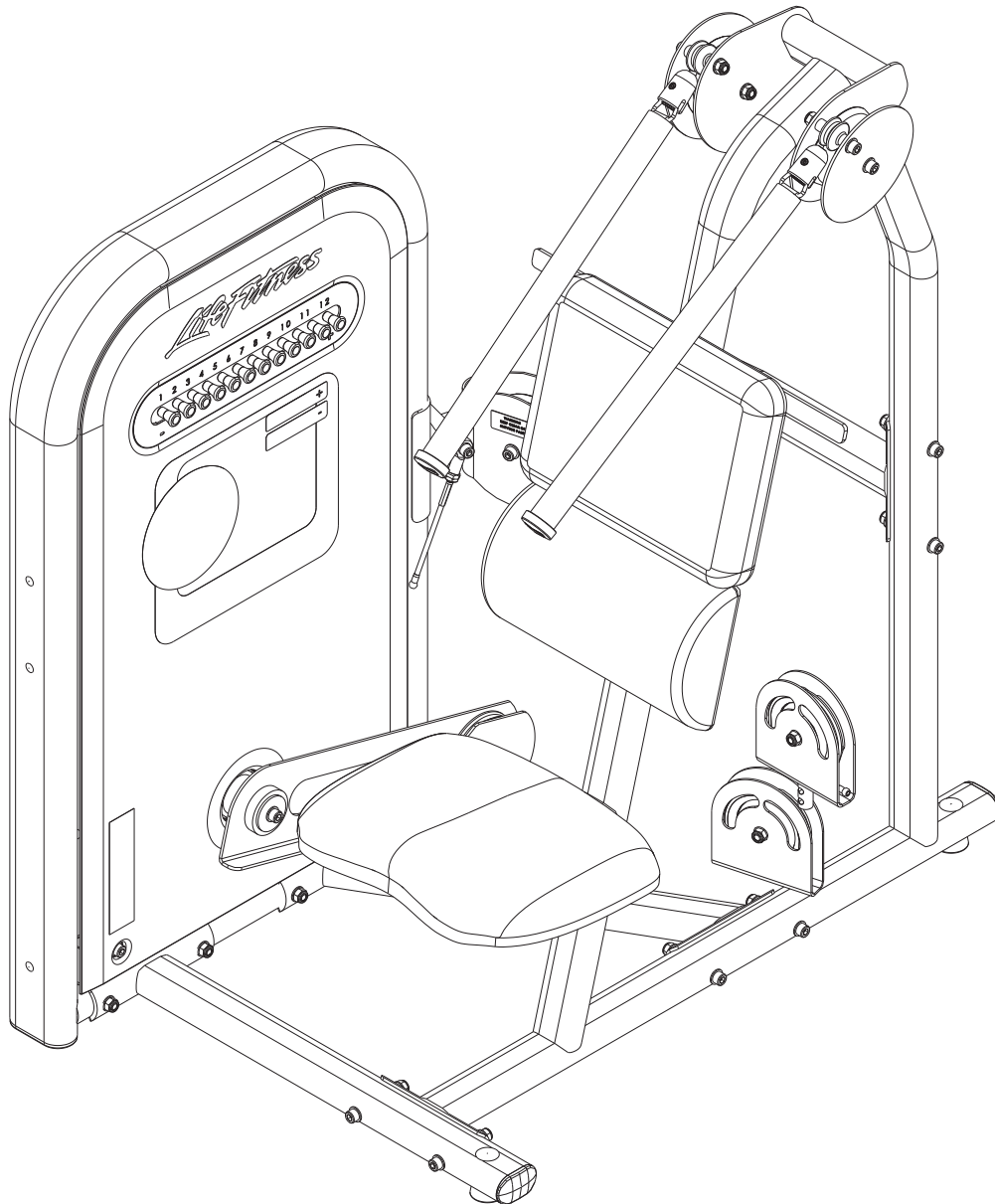




CIRCUIT SERIES
TCAB
AB CRUNCH



Customer Support Services
PARTS LIST

TCAB AB CRUNCH

Contents

COMPONANT ASSEMBLY	pg.3
COMPONANT ASSEMBLY LEGEND	4
SEAT FRAME ASSEMBLY	5
FRONT BRACE ASSEMBLY	6
UPPER BRACE ASSEMBLY	7
GRIP ASSEMBLY	8
PULLEY BRACKET ASSEMBLY	9
FRONT SHROUD ASSEMBLY	10
TOWER ASSEMBLY	11
TOWER ASSEMBLY LEGEND	12
TOWER HEADER ASSEMBLY	13
REAR SHROUD	14
IMAGE	15

COLOR LEGEND

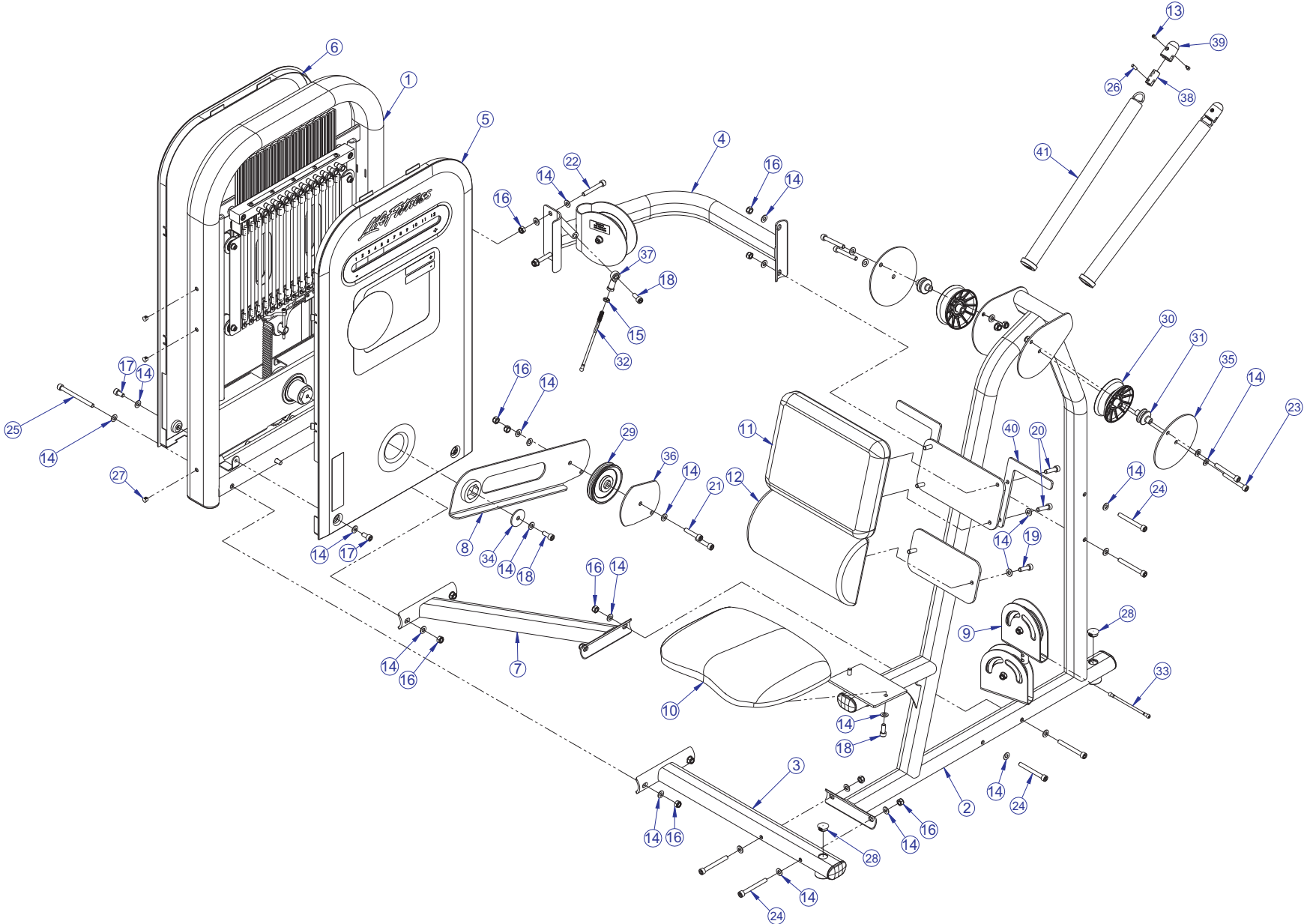
Item numbers ending in 'XX' require paint color.
Replace last two digits from the corresponding code.

01 = White

02 = Platinum

99 = Custom Paint

TCAB AB CRUNCH COMPONENT ASSEMBLY

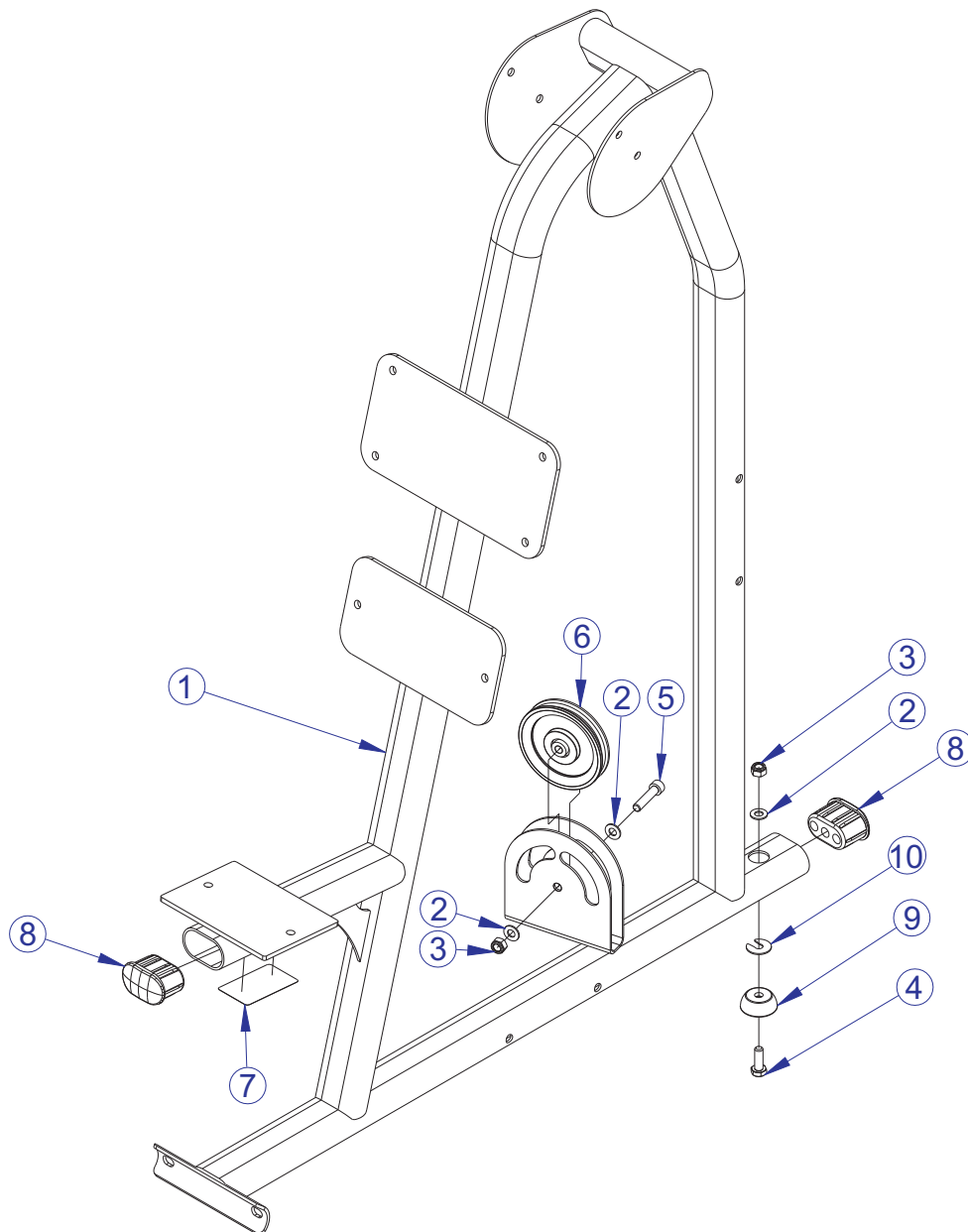


SEE PAGE 4 FOR LEGEND

TCAB AB CRUNCH COMPONANT ASSEMBLY LEGEND

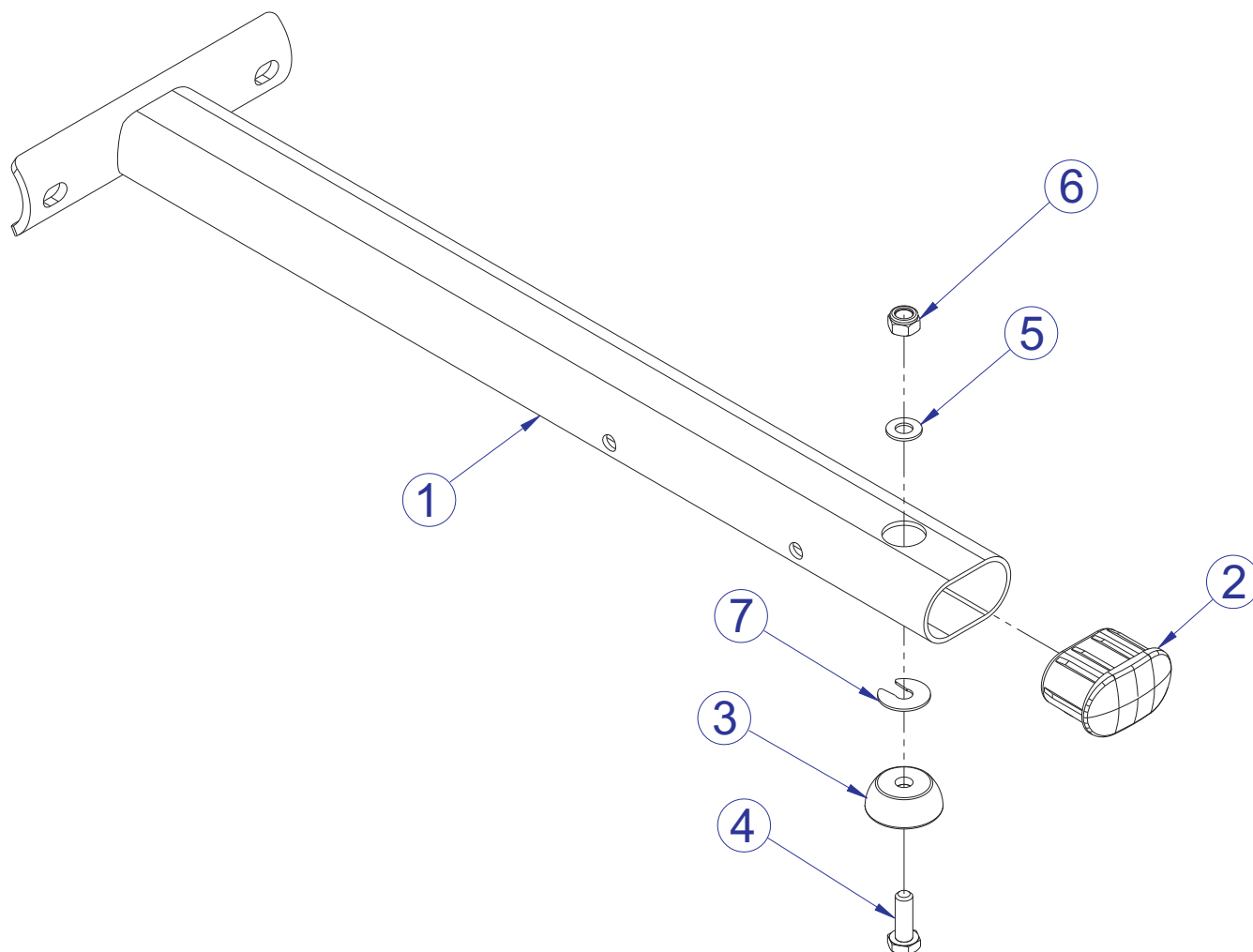
ITEM NO.	QTY.	PART NO.	DESCRIPTION
1	1	79854XX	ASSY, FINAL, TC-TOWER
2	1	80224XX	ASSY, TCAB, SEAT FRAME
3	1	80225XX	ASSY, TCAB, BRACE FRONT
4	1	80226XX	ASSY, TCAB, BRACE UPPER
5	1	8024701	ASSY, SHROUD, FRONT, TC-TOWER, TCAB
6	1	8024801	ASSY, TC-TOWER, SHROUD REAR, TCAB
7	1	79895XX	WLDMT, TCAB, BRACE REAR
8	1	80143XX	WLDMT, TCAB, OUTPUT CAM
9	1	80227XX	ASSY, TCAB, PULLEY BRKT
10	1	7297201	PAD, LARGE CHAIR
11	1	7422101	PAD, BACK 15 X 11-1/4
12	1	7544501	PAD, LUMBAR
13	4	3250002	M5 X 0.8 HXS SOC CS ST BZ X 8
14	49	3102514	WASHER, FLAT 3/8" SAE ST ZN
15	1	3236901	NUT, M10 X 1.5 JAM
16	18	3242002	NUT, M10 X 1.5 HEX NYLOCK
17	4	3251701	SCREW, M10 X1.5 20MM
18	4	3251702	SCREW, M10 X1.5 25MM
19	2	3251704	SCREW, M10 X1.5 35MM
20	4	3251705	SCREW, M10 X1.5 40MM
21	2	3251707	SCREW, M10 X1.5 50MM
22	2	3251711	SCREW, M10 X1.5 70MM
23	4	3251712	SCREW, M10 X1.5 75MM
24	6	3251715	SCREW, M10 X1.5 90MM
25	4	3251719	SCREW, M10 X1.5 120MM
26	2	3250101	PIN, DOWEL, .25 DIA X .75
27	3	3237401	PLUG, 7/16" HOLE
28	2	3237403	PLUG, 1" HOLE
29	1	3237801	PULLEY, 4.5" OD
30	2	7616601	PULLEY, V-GROOVE 4-1/2 OD X 2
31	2	7746201	STOP, CABLE BALL
32	1	8022801	CABLE, TCAB, OUTPUT
33	1	8022901	CABLE, TCAB, HANDLE
34	1	7322301	PLATE, 1.97 OD X .44 ID 10GA
35	2	79897XX	PLATE, TC-PULLEY V-GROOVE
36	1	80141XX	PLATE, TCAB, PULLEY GUARD
37	1	3237901	ROD END, METRIC FEMALE
38	2	7731001	LINK, CABLE END .813 DIA
39	2	7731101	HOUSING, CABLE END 1.25 DIA
40	2	79904XX	PLATE, TCAB, STRAP CATCH
41	2	8023600	ASSY, TCAB, GRIP

TCAB AB CRUNCH SEAT FRAME ASSEMBLY - 80224XX



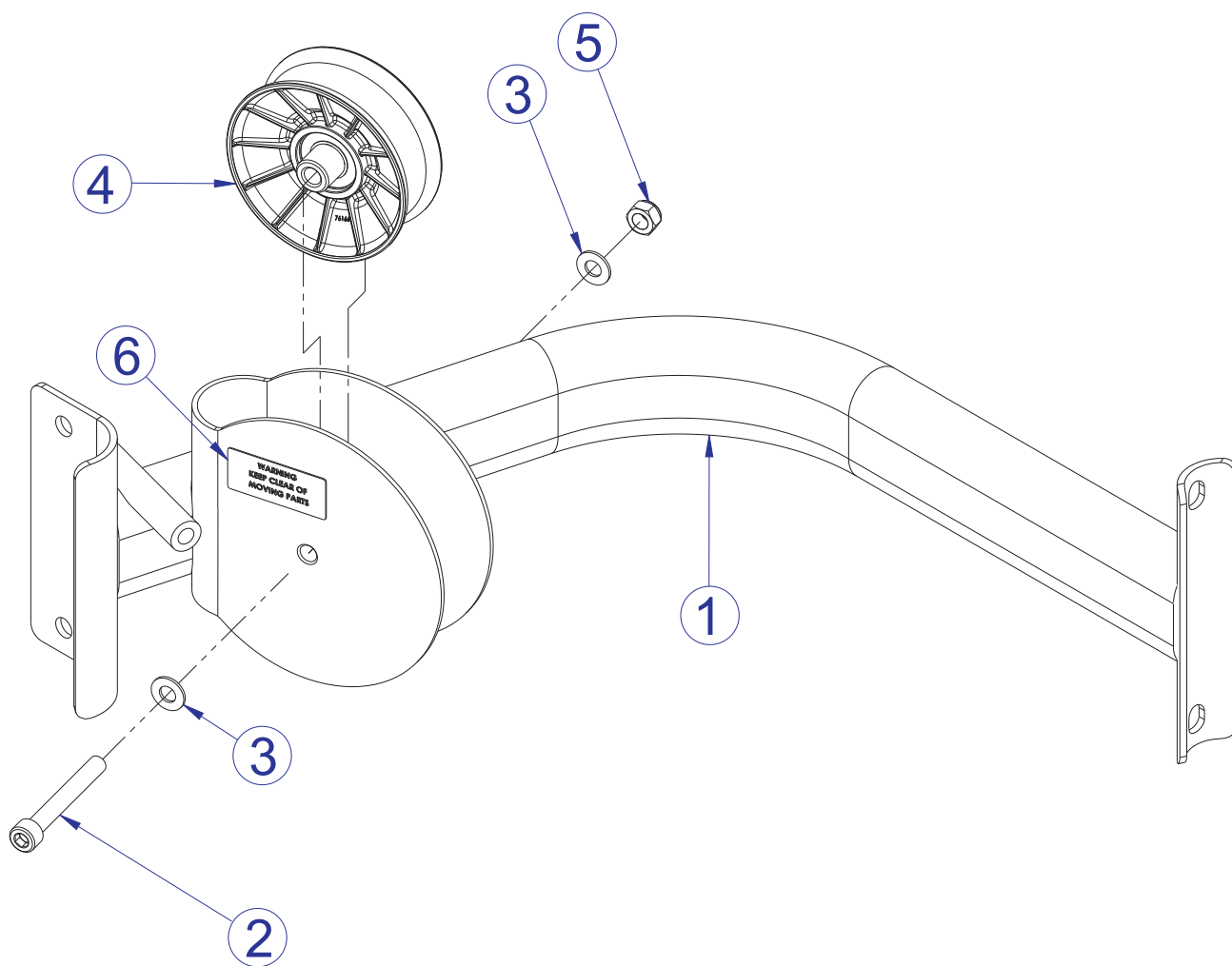
ITEM NO.	QTY.	PART NO.	DESCRIPTION
1	1	80224XX	ASSY, TCAB, SEAT FRAME
2	3	3102514	WASHER, FLAT 3/8" SAE ST ZN
3	2	3242002	NUT, M10 X 1.5 HEX NYLOCK
4	1	3251203	SCREW, M10 X1.5 X 30MM UNS HEX CS ST ZN
5	1	3251706	SCREW, M10 X1.5 45MM
6	1	3237801	PULLEY, 4.5" OD
7	1	7571301	LABEL, SERIAL NUMBER
8	2	7800501	CAP, SML FLOV END
9	1	7893001	FOOT, LEVELER
10	1	7893101	SHIM, FOOT LEVELER

TCAB AB CRUNCH FRONT BRACE ASSEMBLY- 80225XX



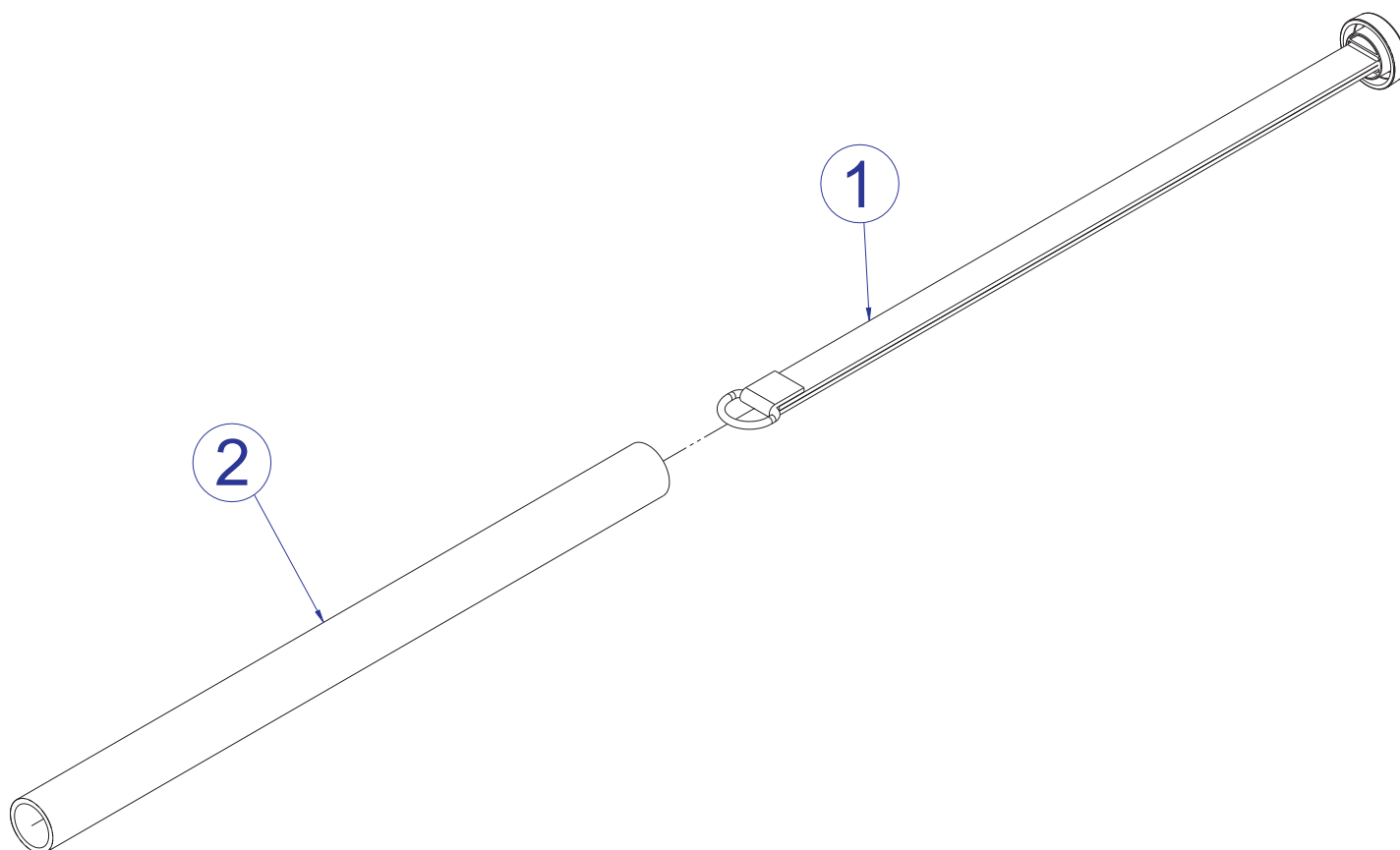
ITEM NO.	QTY.	PART NO.	DESCRIPTION
1	1	80225XX	ASSY, TCAB, BRACE FRONT
2	1	7800501	CAP, SML FLOV END
3	1	7893001	FOOT, LEVELER
4	1	3251203	SCREW, M10 X1.5 X 30MM UNS HEX CS ST ZN
5	1	3102514	WASHER, FLAT 3/8" SAE ST ZN
6	1	3242002	NUT, M10 X 1.5 HEX NYLOCK
7	1	7893101	SHIM, FOOT LEVELER

TCAB AB CRUNCH UPPER BRACE ASSEMBLY - 80226XX



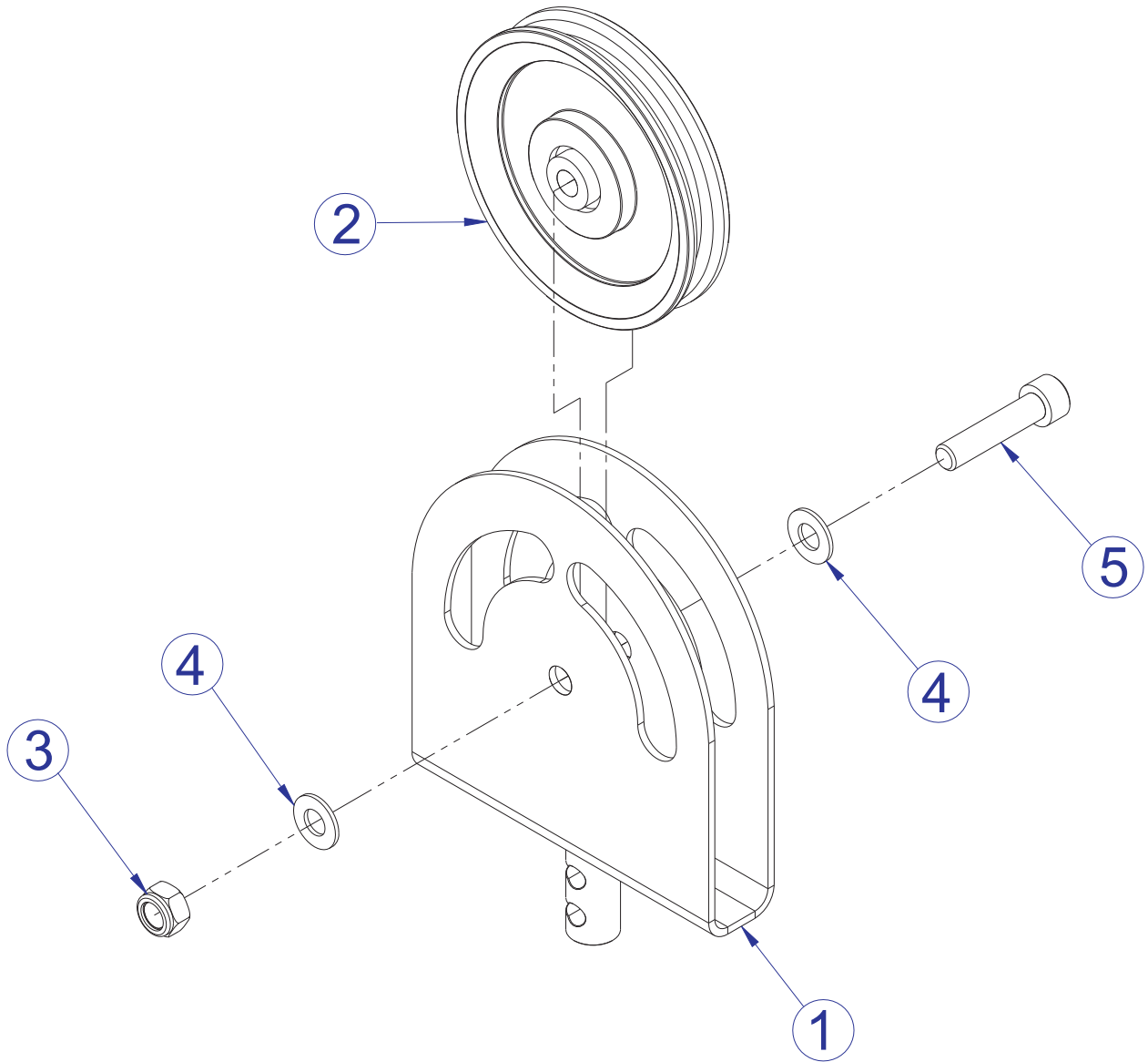
ITEM NO.	QTY.	PART NO.	DESCRIPTION
1	1	80226XX	ASSY, TCAB, BRACE UPPER
2	1	3251712	SCREW, M10 X1.5 75MM
3	2	3102514	WASHER, FLAT 3/8" SAE ST ZN
4	1	7616601	PULLEY, V-GROOVE 4-1/2 OD X 2
5	1	3242002	NUT, M10 X 1.5 HEX NYLOCK
6	1	8031701	LABEL, WARNING, 2.43 X 1.06

TCAB AB CRUNCH TCAB GRIP ASSEMBLY - 8023601



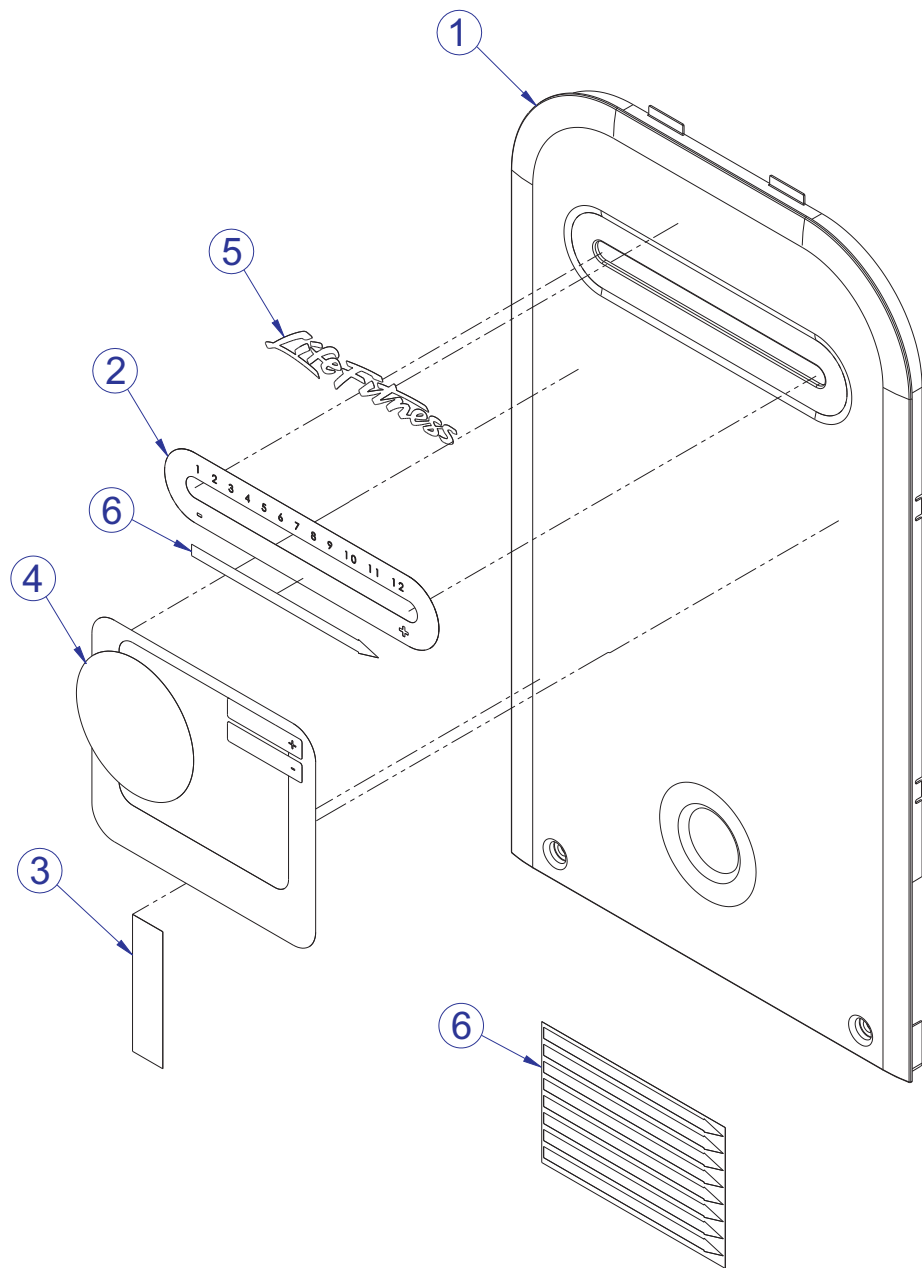
ITEM NO.	QTY.	PART NO.	DESCRIPTION
1	1	8032701	ASSY, TCAB, STRAP
2	1	3235803	GRIP, 1.50 OD X .14 WALL OPEN END

TCAB AB CRUNCH PULLEY BRACKET ASSEMBLY - 80227XX



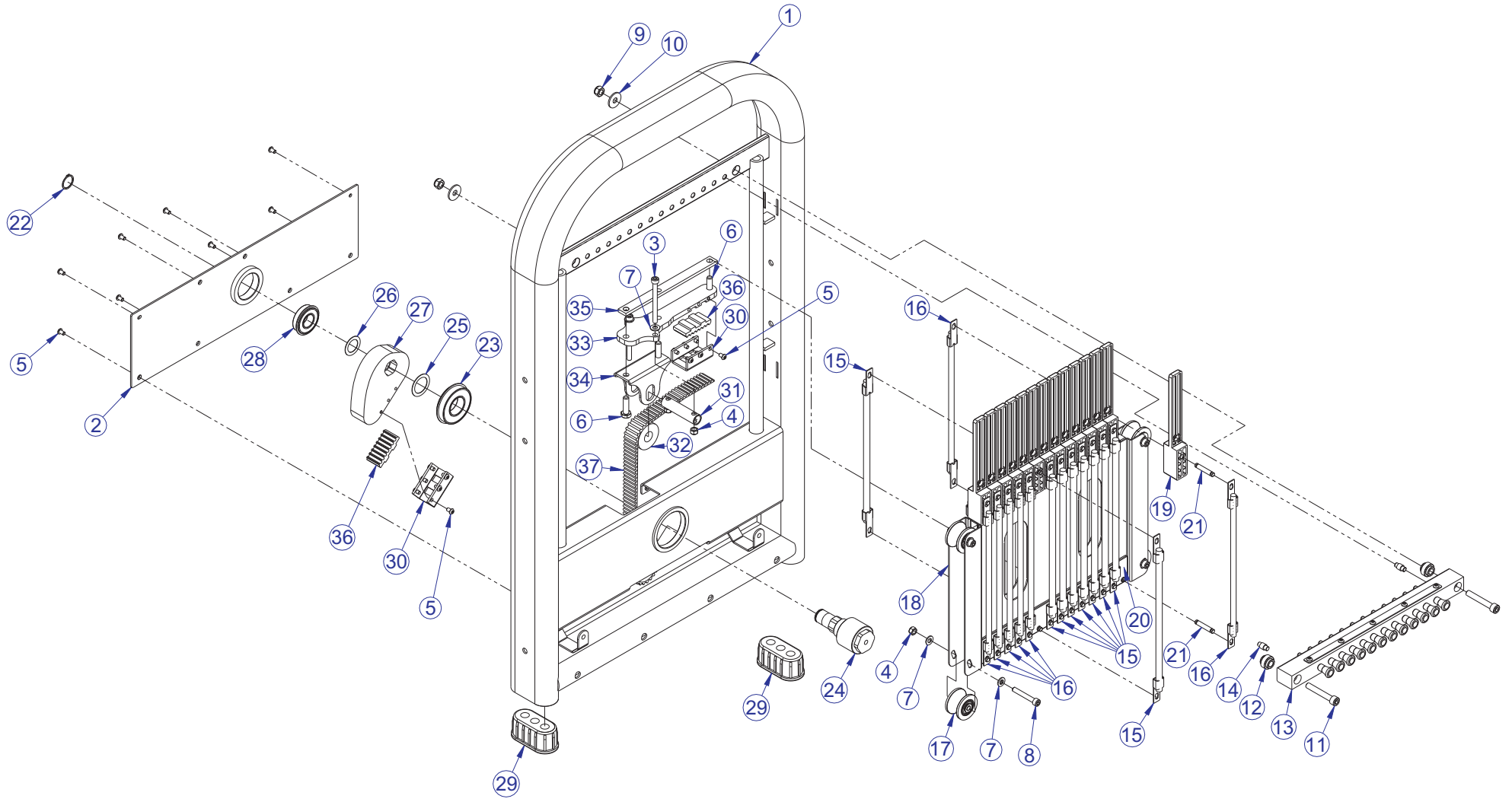
ITEM NO.	QTY.	PART NO.	DESCRIPTION
1	1	79894XX	WLDMT, TAB, PULLEY BRKT
2	1	3237801	PULLEY, 4.5" OD
3	1	3242002	NUT, M10 X 1.5 HEX NYLOCK
4	2	3102514	WASHER, FLAT 3/8" SAE ST ZN
5	1	3251706	SCREW, M10 X1.5 45MM

TCAB AB CRUNCH FRONT SHROUD ASSEMBLY - 8024701



ITEM NO.	QTY.	PART NO.	DESCRIPTION
1	1	8012601	SHROUD, TC-TOWER, FRONT
2	1	8024601	LABEL, TC, SELECTOR
3	1	7422004	LABEL, 2" ASTM WARN
4	1	8025201	LABEL, INSTR, STRENGTH CIRCUIT, TCAB
5	1	8037701	LABEL, TC, LIFE FITNESS
6	1	8047101	LABEL, TC, SELECTOR, MULTI-LANGUAGE

TCAB AB CRUNCH TOWER ASSEMBLY - 79854XX

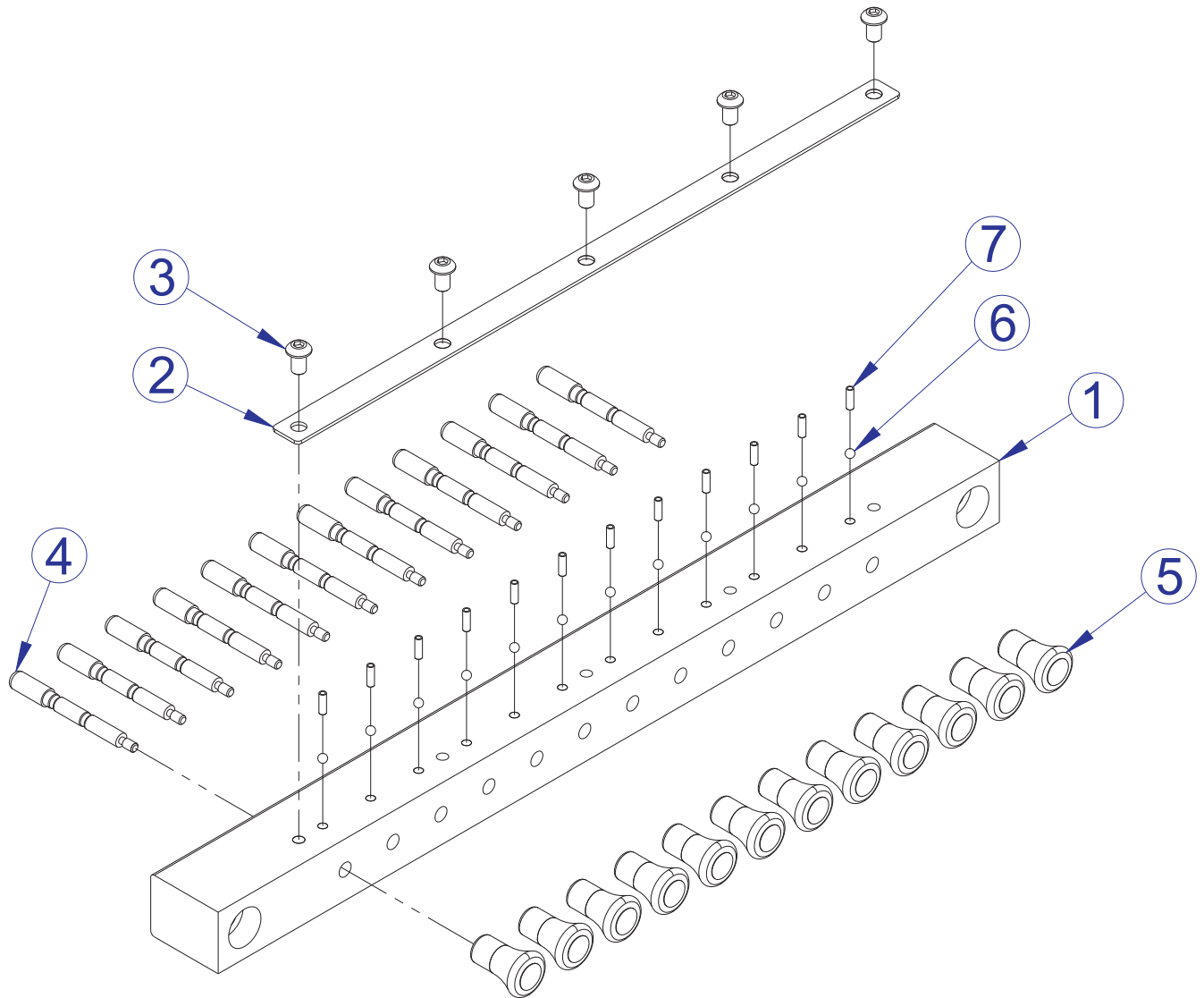


SEE PAGE 12 FOR LEGEND

TCAB AB CRUNCH TOWER ASSEMBLY LEGEND

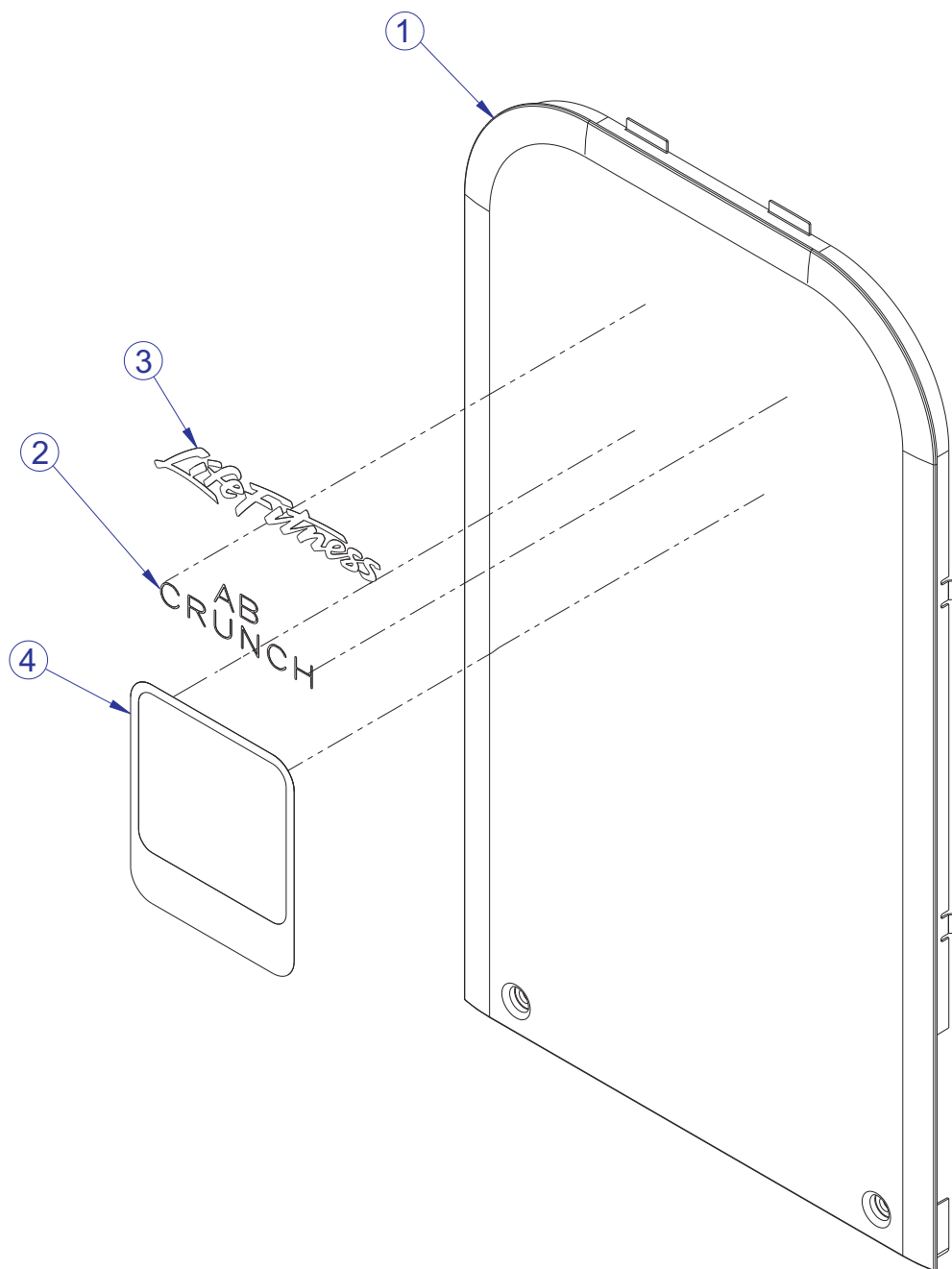
ITEM NO.	QTY.	PART NO.	DESCRIPTION
1	1	79855XX	WLDMT, TC-TOWER, FRAME
2	1	79856XX	WLDMT, TC-TOWER, COVER
3	2	3253915	SCREW, M8 X1.25 90MM
4	6	3242004	NUT, M8 X 1.25 HEX NYLOCK
5	20	3252802	M6-1.0 X 10 HXS BUT CS ST ZN
6	3	3251204	SCREW, M10 X1.5 X 35MM UNS HEX CS ST ZN
7	10	3102509	WASHER, TYPE A PLAIN
8	4	3253908	SCREW, M8 X1.25 55MM
9	2	3242002	NUT, M10 X 1.5 HEX NYLOCK
10	2	3257401	WASHER, FLAT, ST, ZN
11	2	3251710	SCREW, M10 X1.5 65MM
12	2	7996101	SPACER, TC-TOWER, HEADER
13	1	7995801	ASSY, TC-TOWER, HEADER
14	2	8015701	PIN, TC-TOWER, BLOCK FIXED
15	16	8015001	ASSY, CORD, BUNGEE 1/2"
16	12	8014901	ASSY, CORD, BUNGEE 3/8"
17	4	8018401	ASSY, ROLLER
18	1	7985795	WLDMT, TC-TOWER, CARRIAGE
19	14	8013101	SELECT BLOCK, TC-TOWER
20	2	8013301	PLATE, BUNGEE SPACER
21	28	8015601	PIN, TC-TOWER, BUNGEE
22	1	3232420	RING, BRE .926, 5100-98 ST PP B
23	1	3256901	BEARING, 6207NR BALL
24	1	7995701	AXLE, TC-TOWER
25	1	7882701	SHIM, 1.225-1.75-.03
26	1	7882801	SHIM, 1.005-1.50-.03
27	1	8019901	CAM, TC-TOWER
28	1	3257001	BEARING, 6205NR BALL
29	2	8012901	CAP, MFLOV END
30	2	8019201	BRKT, TC-TOWER, BELT
31	1	8019501	SHAFT, TC-TOWER,PULLEY
32	1	8019701	ROLLER, TC-TOWER, BELT
33	1	8019401	PLATE, TC-TOWER, PULLEY MOUNT
34	1	8019301	BRKT, TC-TOWER, PULLEY
35	1	8024301	PLATE, TC-TOWER, SPACER
36	2	8019601	BLOCK, BELT, TC-TOWER
37	1	8026401	BELT, 30MM, KEVLAR

TCAB AB CRUNCH TOWER HEADER ASSEMBLY - 7995801



ITEM NO.	QTY.	PART NO.	DESCRIPTION
1	1	7995901	BAR, HEADER, FRONT
2	1	7996001	PLATE, SPRING RETAINER
3	5	3262001	M6-1.0 X 10 TORX BUT CS ST ZN
4	12	8020001	PIN, TC-TOWER, SELECTOR
5	12	8013001	KNOB, TC-TOWER, PIN
6	12	3265601	BALL, CHROME ALLOY STEEL X 3.5MM
7	12	3253202	SPRING, .12 DIA X .438 X .018 WIRE DIA

TCAB AB CRUNCH REAR SHROUD ASSEMBLY - 8024801



ITEM NO.	QTY.	PART NO.	DESCRIPTION
1	1	8012701	SHROUD, TC-TOWER, REAR
2	1	8024901	LABEL, STRENGTH CIRCUIT, TCAB
3	1	8037701	LABEL, TC, LIFE FITNESS
4	1	8038001	LABEL, TCAB, PLACARD REAR

TCAB AB CRUNCH IMAGE

