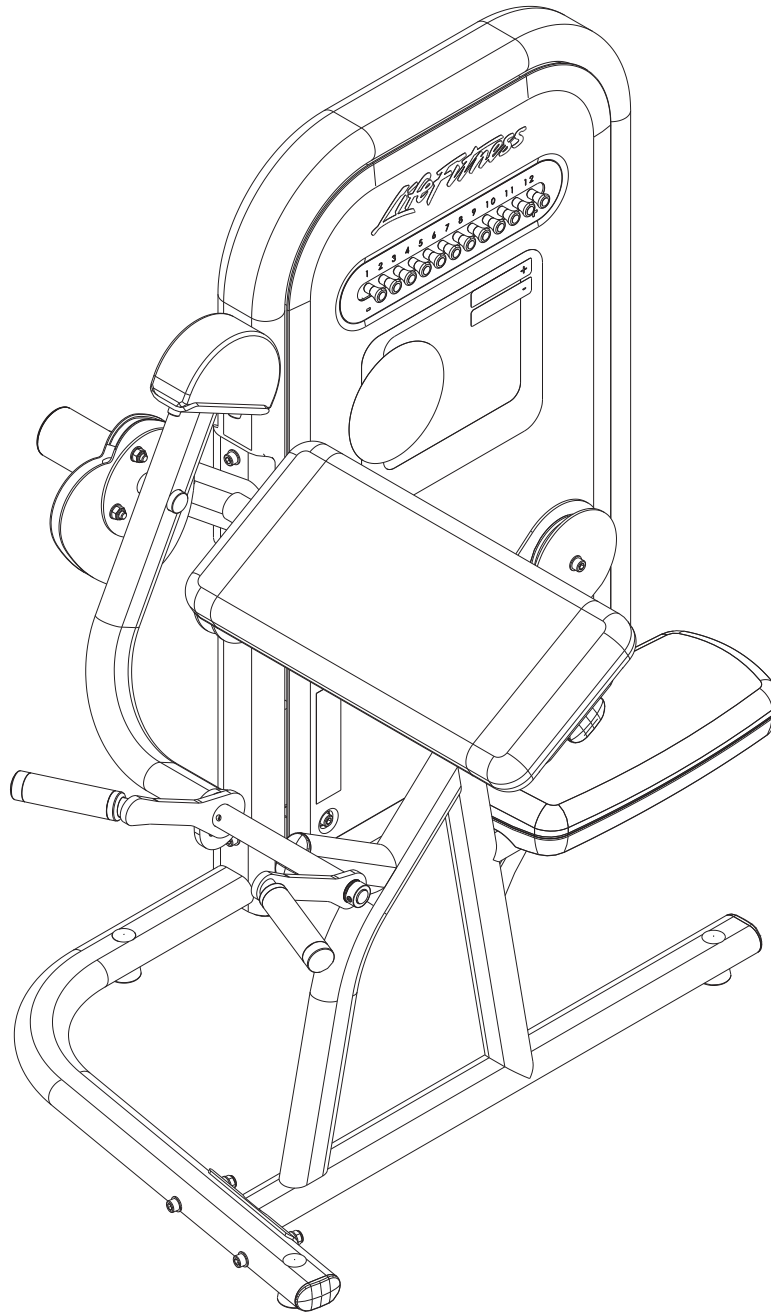




CIRCUIT SERIES  
TCBC  
BICEPS CURL



Customer Support Services  
PARTS LIST

# TCBC BICEPS CURL

## Contents

---

COMPONANT ASSEMBLY	pg.3
COMPONANT ASSEMBLY LEGEND	4
FRONT ASSEMBLY	5
HANDLE BAR ASSEMBLY	6
SEAT FRAME ASSEMBLY	7
ARM REST ASSEMBLY	8
FRONT SHROUD ASSEMBLY	9
TOWER ASSEMBLY	10
TOWER ASSEMBLY LEGEND	11
TOWER HEADER ASSEMBLY	12
REAR SHROUD	13
IMAGE	14

### COLOR LEGEND

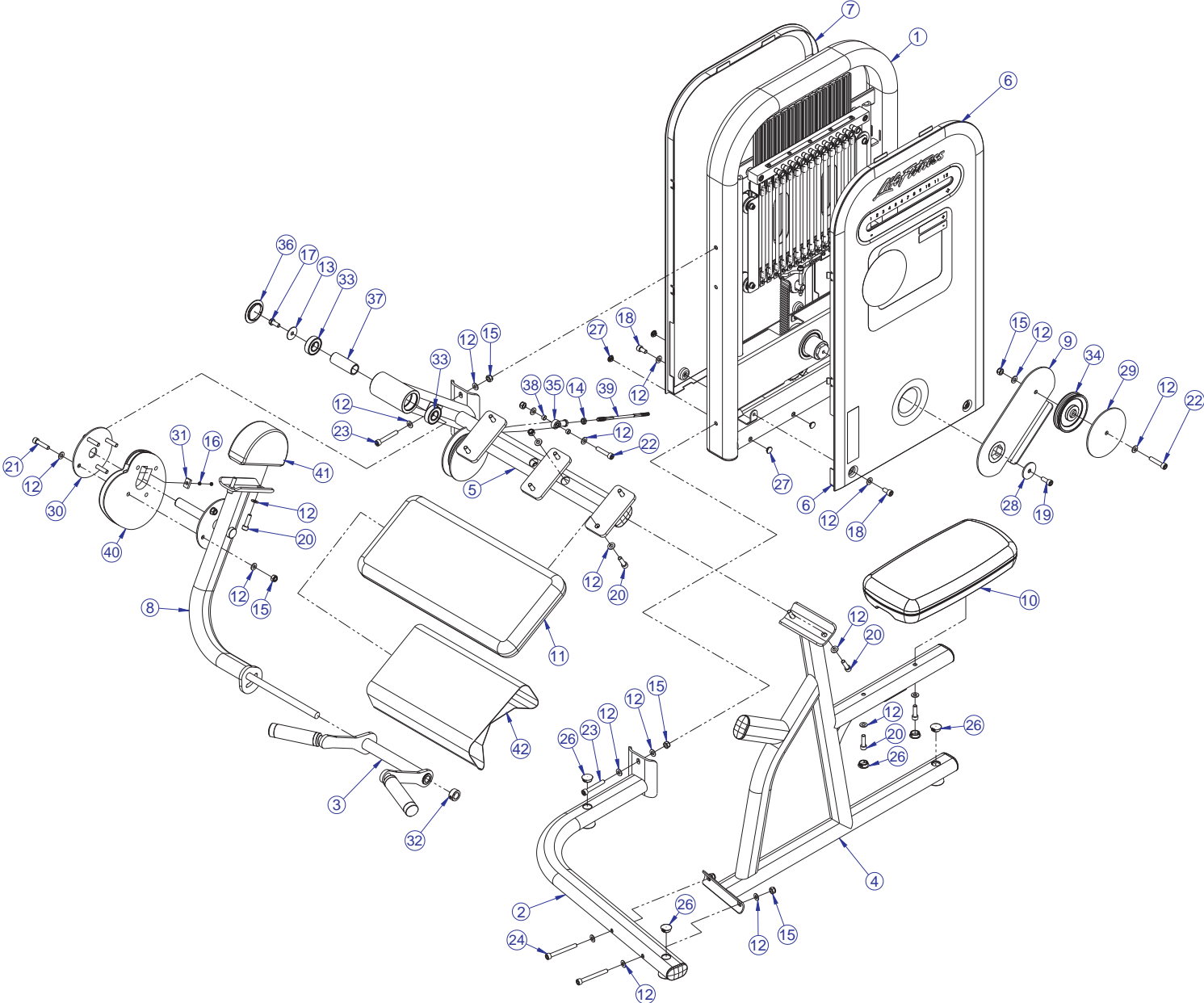
Item numbers ending in 'XX' require paint color.  
Replace last two digits from the corresponding code.

01 = White

02 = Platinum

99 = Custom Paint

# TCBC BICEPS CURL COMPONENT ASSEMBLY



SEE PAGE 4 FOR LEGEND

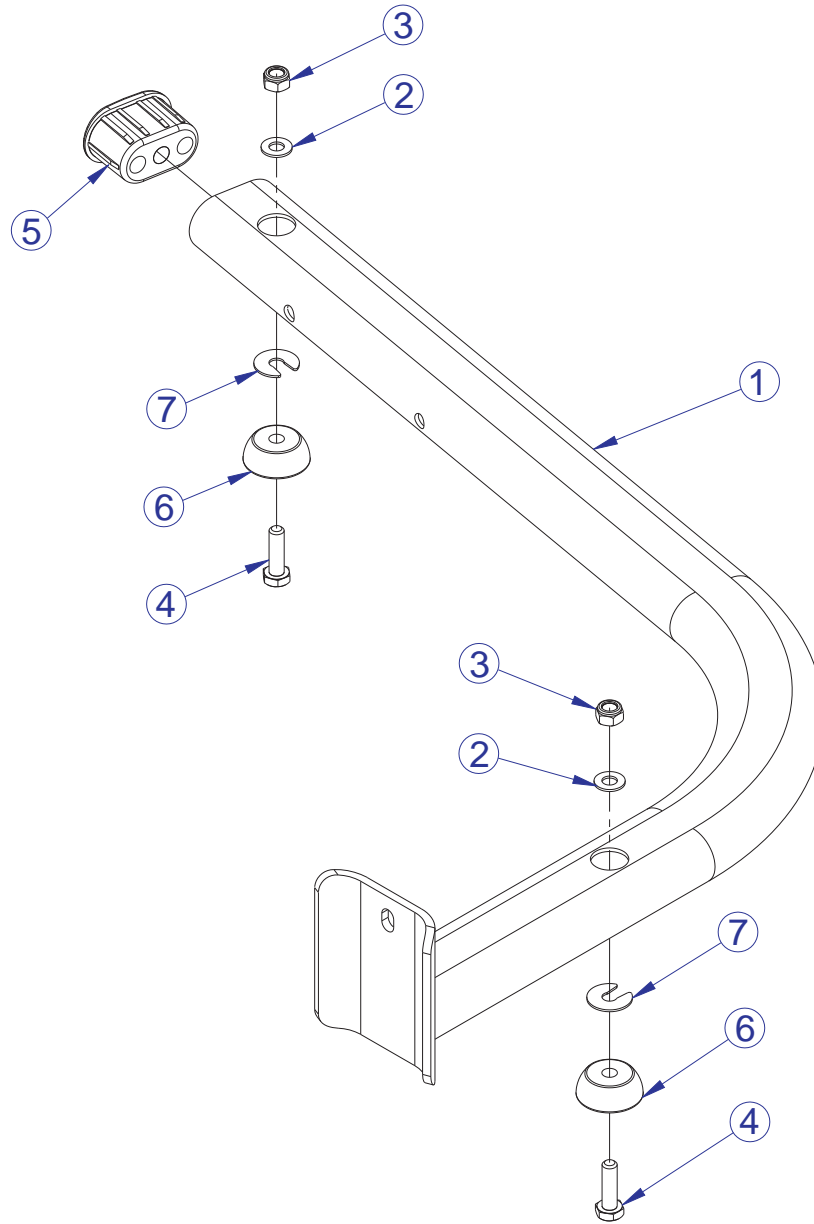
# TCBC BICEPS CURL COMPONANT ASSEMBLY LEGEND

ITEM NO.	QTY.	PART NO.	DESCRIPTION
1	1	79854XX	ASSY, TC-TOWER, FINAL
2	1	80232XX	ASSY, TCBC, FRONT
3	1	89360XX	ASSY, TCBC, HANDLE BAR
4	1	80234XX	ASSY, TCBC, SEAT FRAME
5	1	80235XX	ASSY, TCBC, ARM REST
6	1	8024702	ASSY,TC-TOWER, SHROUD FRONT, TCBC
7	1	8024802	ASSY, TC-TOWER, SHOUD REAR, TCBC
8	1	79922XX	WLDMT, TCBC, WORK ARM
9	1	80210XX	WLDMT, TCBC, OUTPUT CAM
10	1	7468901	PAD 18 X 9 CONVEX
11	1	8007001	PAD, ELBOW 24 X 11
12	40	3102514	WASHER, FLAT 3/8" SAE ST ZN
13	1	3236701	WASHER, FENDER 3/8" ID X 1.5" OD SS
14	1	3236901	NUT, M10 X 1.5 JAM
15	13	3242002	NUT, M10 X 1.5 HEX NYLOCK
16	2	3247501	NUT, M5 X 0.8 HEX JAM ST ZN
17	1	3251202	SCREW, M10 X1.5 X 25MM UNS HEX CS ST ZN
18	4	3251701	SCREW, M10 X1.5 20MM
19	1	3251702	SCREW, M10 X1.5 25MM
20	12	3251704	SCREW, M10 X1.5 35MM
21	4	3251706	SCREW, M10 X1.5 45MM
22	2	3251707	SCREW, M10 X1.5 50MM
23	3	3251711	SCREW, M10 X1.5 70MM
24	2	3251715	SCREW, M10 X1.5 90MM
25	2	3237401	PLUG, 7/16" HOLE
26	5	3237403	PLUG, 1" HOLE
27	8	7646801	PLUG, CURVED HOLE
28	1	7322301	PLATE, 1.97 OD X .44 ID 10GA
29	1	79794XX	PLATE, PULLEY GUARD
30	1	7992701	PLATE, CAM
31	1	8001801	PLATE,TC, CABLE RETAIN.
32	1	3103301	SHAFT COLLAR, 3/4 I.D. ZINC
33	2	3235601	BEARING, 6205 BALL
34	1	3237801	PULLEY, 4.5" OD
35	1	3237901	ROD END, METRIC FEMALE
36	1	7308701	CAP, BEARING HOUSING
37	1	7330003	SPACER, INTERNAL X 3.265
38	2	7489402	BSHNG, .500 OD X .402 ID
39	1	7983101	CABLE, TCBC
40	1	7993601	CAM, TCBC
41	1	8008801	COUNTER WEIGHT, SEMI ROUND
42	1	80279XX	WEAR COVER, ELBOW PAD 24 X 11

# TCBC BICEPS CURL

## TCBC FRONT ASSEMBLY - 80232XX

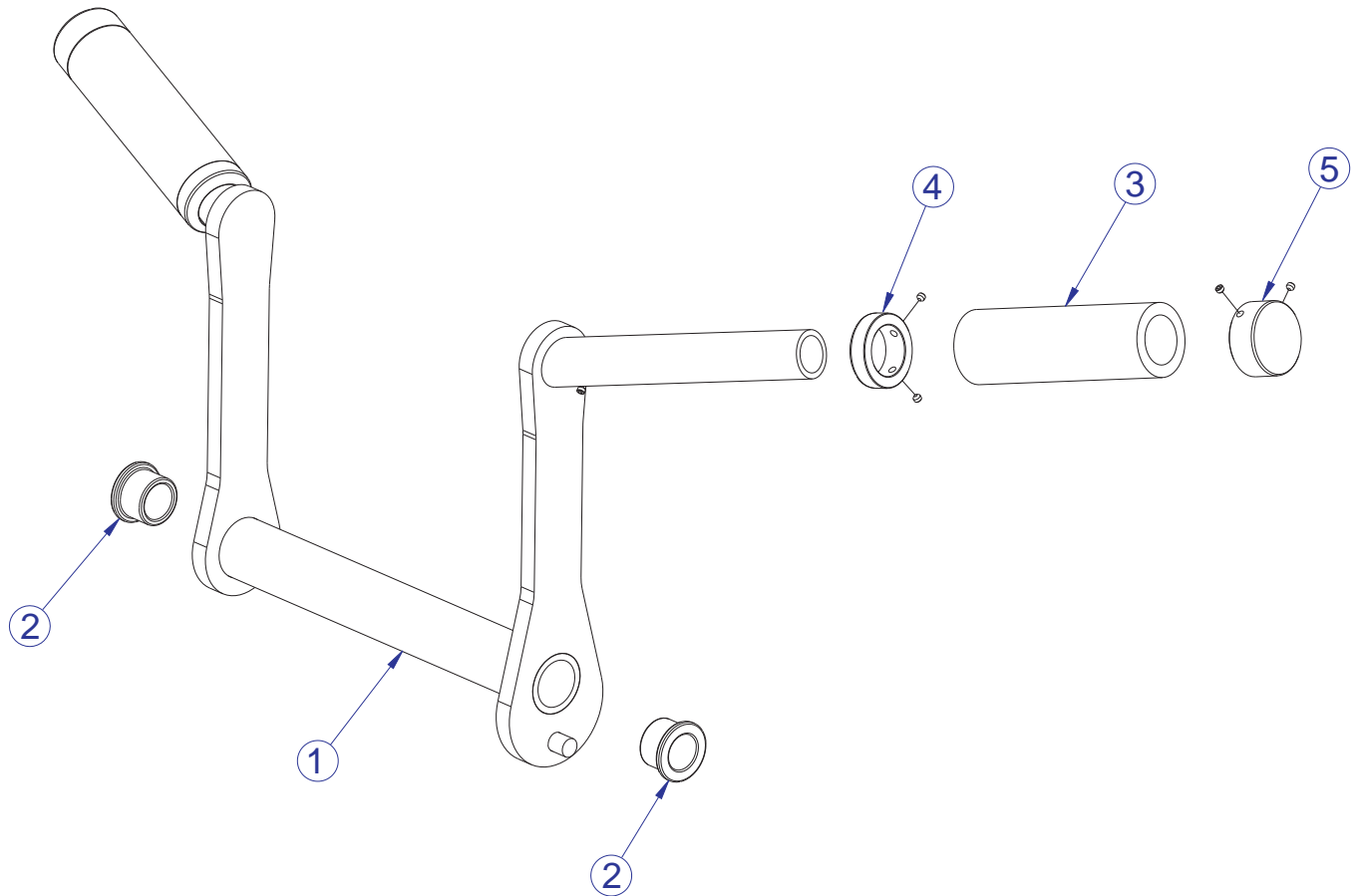
---



ITEM NO.	QTY.	PART NO.	DESCRIPTION
1	1	80232XX	ASSY, TCBC, FRONT BRACE
2	2	3102514	WASHER, FLAT 3/8" SAE ST ZN
3	2	3242002	NUT, M10 X 1.5 HEX NYLOCK
4	2	3251204	SCREW, M10 X1.5 X 35MM UNS HEX CS ST ZN
5	1	7800501	CAP, SML FLOV END
6	2	7893001	FOOT, LEVELER
7	2	7893101	SHIM, FOOT LEVELER

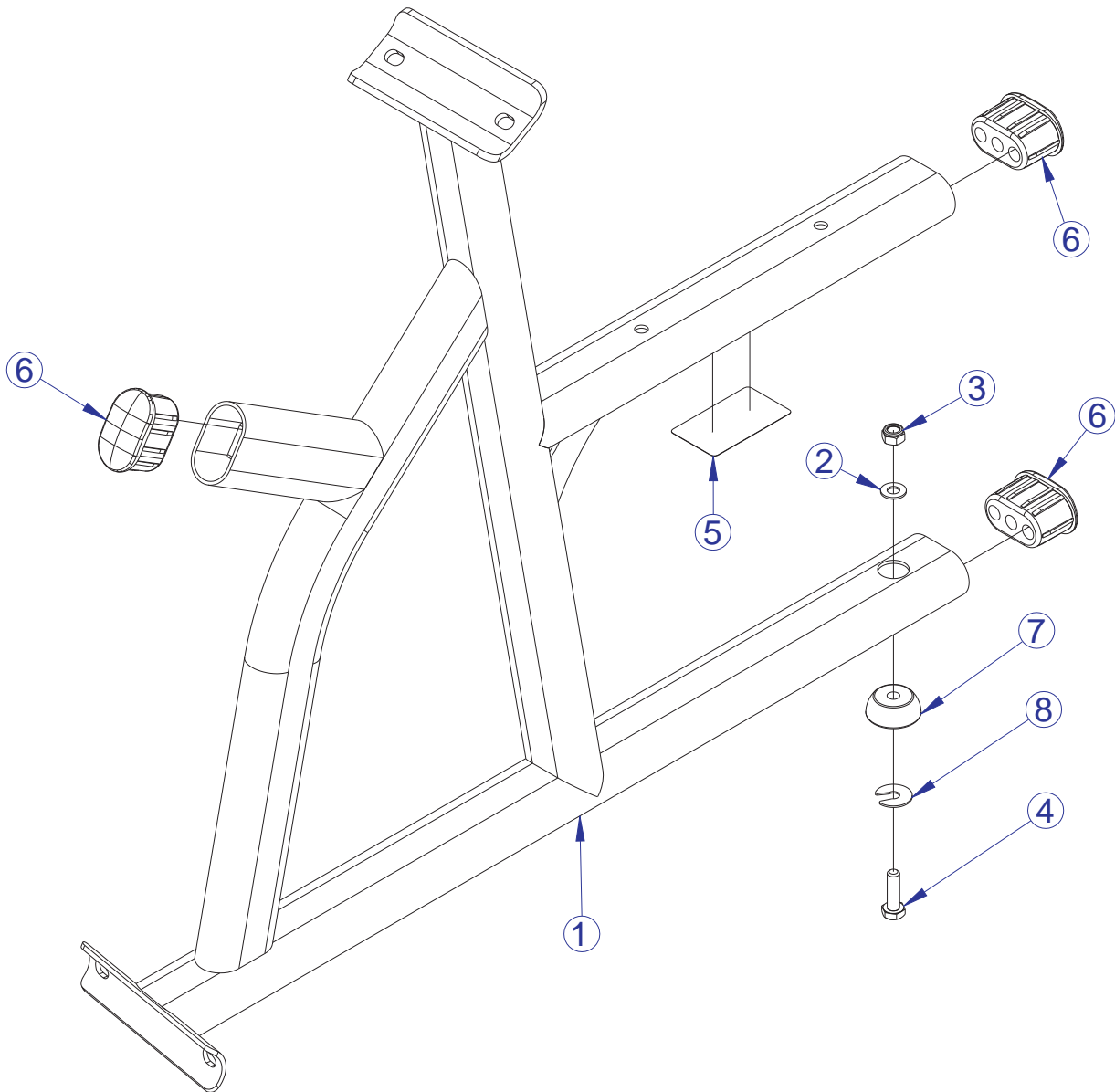
# TCBC BICEPS CURL HANDLE BAR ASSEMBLY- 89360XX

---



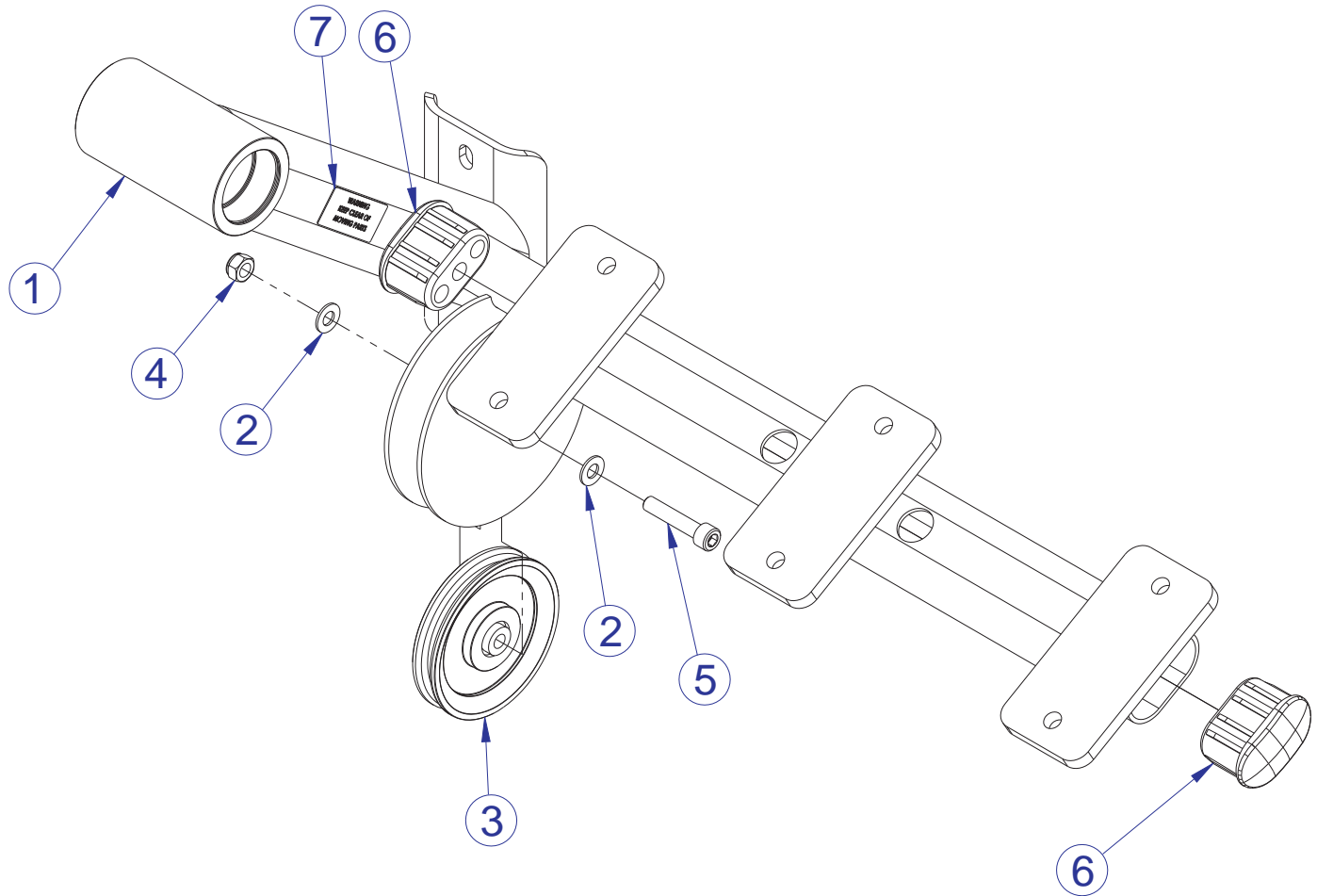
ITEM NO.	QTY.	PART NO.	DESCRIPTION
1	1	89360XX	ASSY, TCBC, HANDLE BAR
2	2	3104901	.75" ID 1.00" OD BRONZE BUSHING
3	2	3235802	GRIP, 1.50 OD
4	2	7662802	RING, GRIP 1.50 OD
5	2	7662902	CAP, GRIP 1.50 OD

# TCBC BICEPS CURL SEAT FRAME ASSEMBLY - 80234XX



ITEM NO.	QTY.	PART NO.	DESCRIPTION
1	1	80234XX	ASSY, TCBC, SEAT FRAME
2	1	3102514	WASHER, FLAT 3/8" SAE ST ZN
3	1	3242002	NUT, M10 X 1.5 HEX NYLOCK
4	1	3251204	SCREW, M10 X1.5 X 35MM UNS HEX CS ST ZN
5	1	7571301	LABEL, SERIAL NUMBER
6	3	7800501	CAP, SML FLOV END
7	1	7893000	FOOT, LEVELER
8	1	7893101	SHIM, FOOT LEVELER

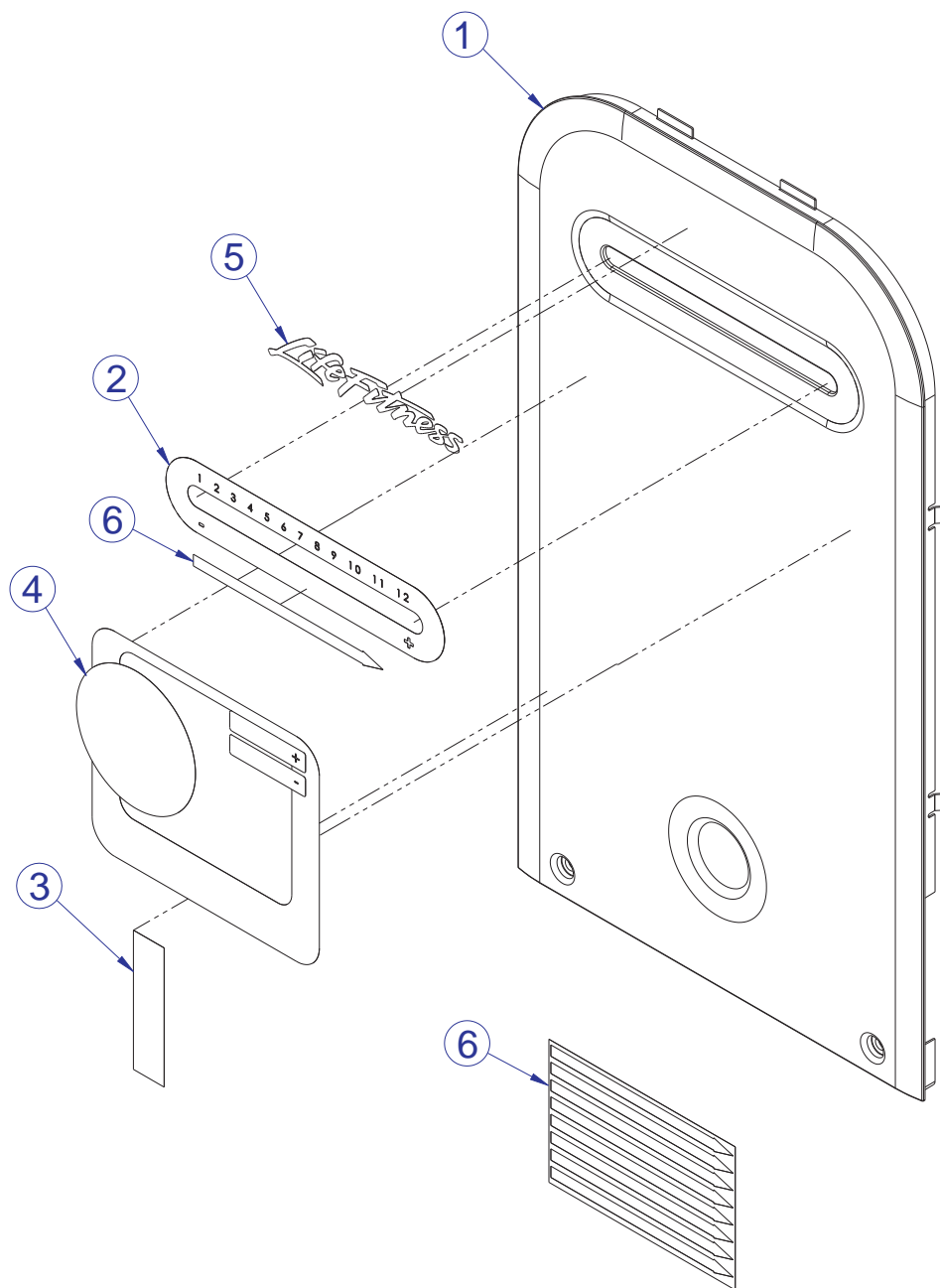
# TCBC BICEPS CURL ARM REST ASSEMBLY - 80235XX



ITEM NO.	QTY.	PART NO.	DESCRIPTION
1	1	80235XX	ASSY, TCBC, ARM REST
2	2	3102514	WASHER, FLAT 3/8" SAE ST ZN
3	1	3237801	PULLEY, 4.5" OD
4	1	3242002	NUT, M10 X 1.5 HEX NYLOCK
5	1	3251707	SCREW, M10 X1.5 50MM
6	2	7800501	CAP, SML FLOV END
7	1	8031701	LABEL, WARNING, 2.43 X 1.06

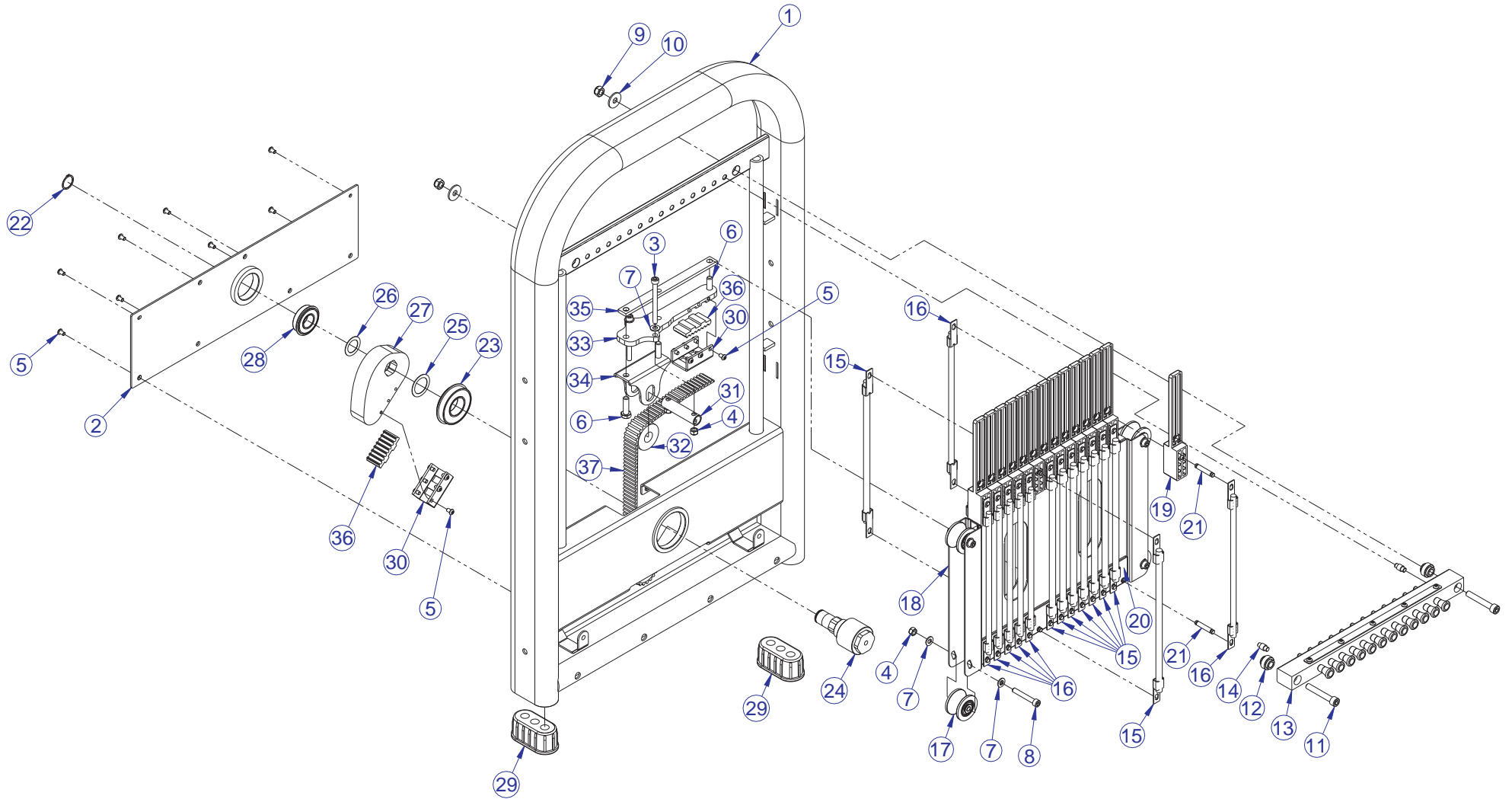


# TCBC BICEPS CURL FRONT SHROUD ASSEMBLY - 8024702



ITEM NO.	QTY.	PART NO.	DESCRIPTION
1	1	8012601	SHROUD, TC-TOWER, FRONT
2	1	8024601	LABEL, TC, SELECTOR
3	1	7422004	LABEL, 2" ASTM WARN
4	1	8025202	LABEL, INSTR, STRENGTH CIRCUIT, TCBC
5	1	8037701	LABEL, TC, LIFE FITNESS
6	1	8047101	LABEL, TC, SELECTOR, MULTI-LANGUAGE

# TCBC BICEPS CURL TOWER ASSEMBLY - 79854XX

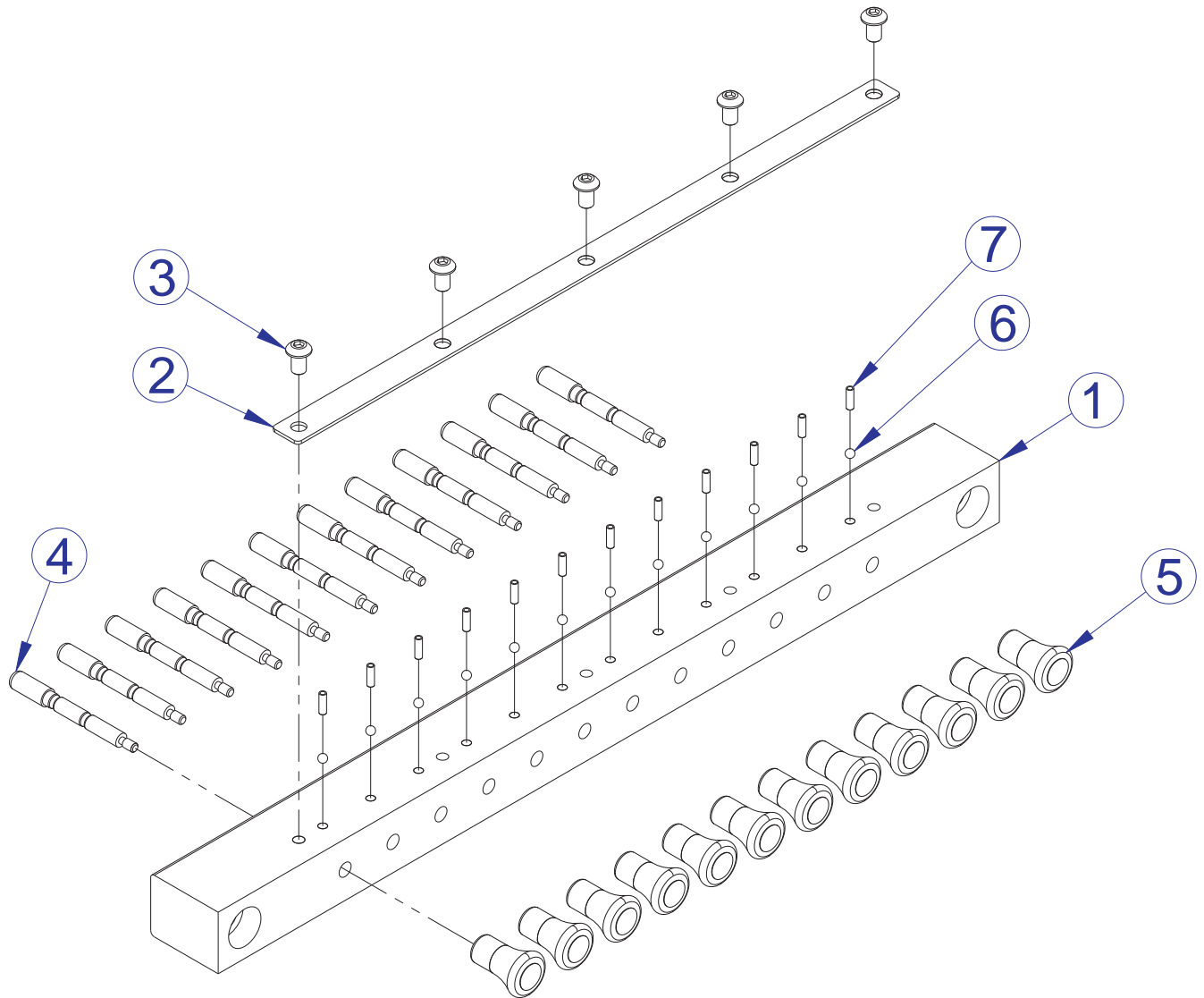


SEE PAGE 11 FOR LEGEND

# TCBC BICEPS CURL TOWER ASSEMBLY LEGEND

ITEM NO.	QTY.	PART NO.	DESCRIPTION
1	1	79855XX	WLDMT, TC-TOWER, FRAME
2	1	79856XX	WLDMT, TC-TOWER, COVER
3	2	3253915	SCREW, M8 X1.25 90MM
4	6	3242004	NUT, M8 X 1.25 HEX NYLOCK
5	20	3252802	M6-1.0 X 10 HXS BUT CS ST ZN
6	3	3251204	SCREW, M10 X1.5 X 35MM UNS HEX CS ST ZN
7	10	3102509	WASHER, TYPE A PLAIN
8	4	3253908	SCREW, M8 X1.25 55MM
9	2	3242002	NUT, M10 X 1.5 HEX NYLOCK
10	2	3257401	WASHER, FLAT, ST, ZN
11	2	3251710	SCREW, M10 X1.5 65MM
12	2	7996101	SPACER, TC-TOWER, HEADER
13	1	7995801	ASSY, TC-TOWER, HEADER
14	2	8015701	PIN, TC-TOWER, BLOCK FIXED
15	16	8015001	ASSY, CORD, BUNGEE 1/2"
16	12	8014901	ASSY, CORD, BUNGEE 3/8"
17	4	8018401	ASSY, ROLLER
18	1	7985795	WLDMT, TC-TOWER, CARRIAGE
19	14	8013101	SELECT BLOCK, TC-TOWER
20	2	8013301	PLATE, BUNGEE SPACER
21	28	8015601	PIN, TC-TOWER, BUNGEE
22	1	3232420	RING, BRE .926, 5100-98 ST PP B
23	1	3256901	BEARING, 6207NR BALL
24	1	7995701	AXLE, TC-TOWER
25	1	7882701	SHIM, 1.225-1.75-.03
26	1	7882801	SHIM, 1.005-1.50-.03
27	1	8019901	CAM, TC-TOWER
28	1	3257001	BEARING, 6205NR BALL
29	2	8012901	CAP, MFLOV END
30	2	8019201	BRKT, TC-TOWER, BELT
31	1	8019501	SHAFT, TC-TOWER,PULLEY
32	1	8019701	ROLLER, TC-TOWER, BELT
33	1	8019401	PLATE, TC-TOWER, PULLEY MOUNT
34	1	8019301	BRKT, TC-TOWER, PULLEY
35	1	8024301	PLATE, TC-TOWER, SPACER
36	2	8019601	BLOCK, BELT, TC-TOWER
37	1	8026401	BELT, 30MM, KEVLAR

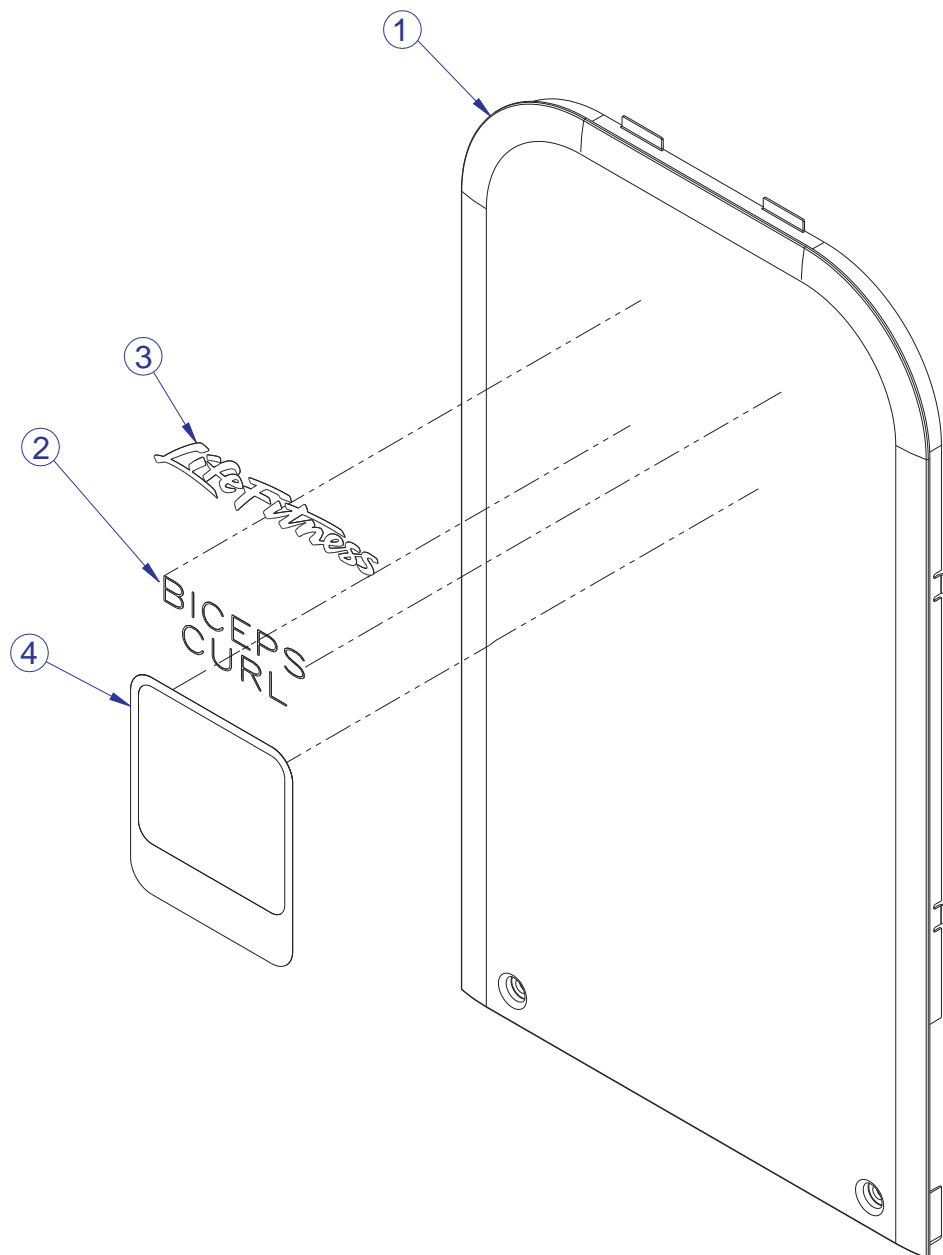
# TCBC BICEPS CURL TOWER HEADER ASSEMBLY - 7995801



ITEM NO.	QTY.	PART NO.	DESCRIPTION
1	1	7995901	BAR, HEADER, FRONT
2	1	7996001	PLATE, SPRING RETAINER
3	5	3262001	M6-1.0 X 10 TORX BUT CS ST ZN
4	12	8020001	PIN, TC-TOWER, SELECTOR
5	12	8013001	KNOB, TC-TOWER, PIN
6	12	3265601	BALL, CHROME ALLOY STEEL X 3.5MM
7	12	3253202	SPRING, .12 DIA X .438 X .018 WIRE DIA

# TCBC BICEPS CURL

## REAR SHROUD ASSEMBLY - 8024802



ITEM NO.	QTY.	PART NO.	DESCRIPTION
1	1	8012701	SHROUD, TC-TOWER, REAR
2	1	8024902	LABEL, STRENGTH CIRCUIT, TCBC
3	1	8037701	LABEL, TC, LIFE FITNESS
4	1	8038002	LABEL, TCBC, PLACARD REAR

TCBC BICEPS CURL  
IMAGE

---

