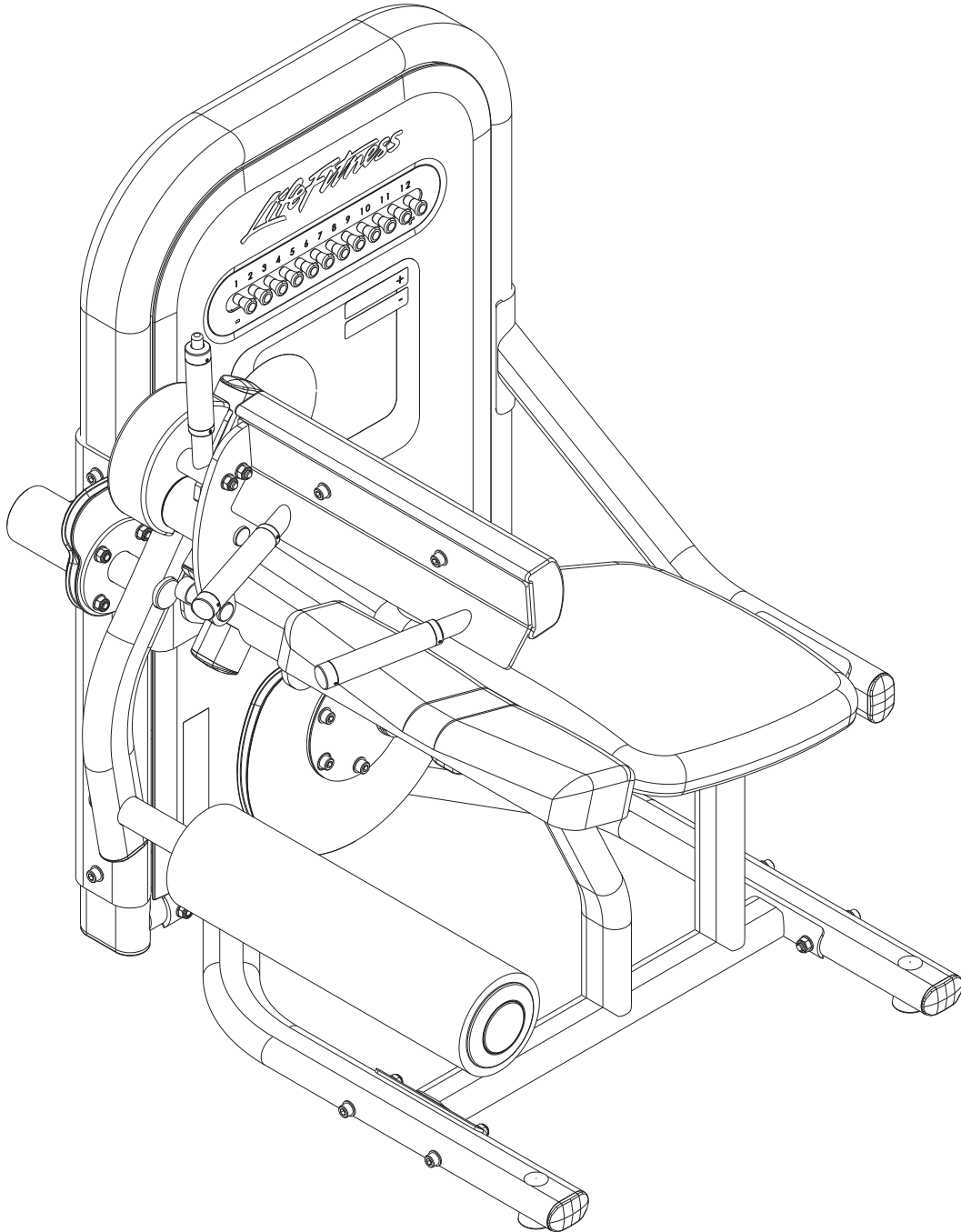




CIRCUIT SERIES
TCLC
SEATED LEG CURL



Customer Support Services
PARTS LIST

TCLC SEATED LEG CURL

Contents

COMPONANT ASSEMBLY	pg.3
COMPONANT ASSEMBLY LEGEND	4
REAR BRACE ASSEMBLY	5
FRONT BRACE ASSEMBLY	6
SEAT FRAME ASSEMBLY	7
TOP BRACE ASSEMBLY	8
WORKARM ASSEMBLY	9
KNEE HANDLE ASSEMBLY	10
KNEE SUPPORT ASSEMBLY	11
FRONT SHROUD ASSEMBLY	12
TOWER ASSEMBLY	13
TOWER ASSEMBLY LEGEND	14
TOWER HEADER ASSEMBLY	15
REAR SHROUD	16
IMAGE	17

COLOR LEGEND

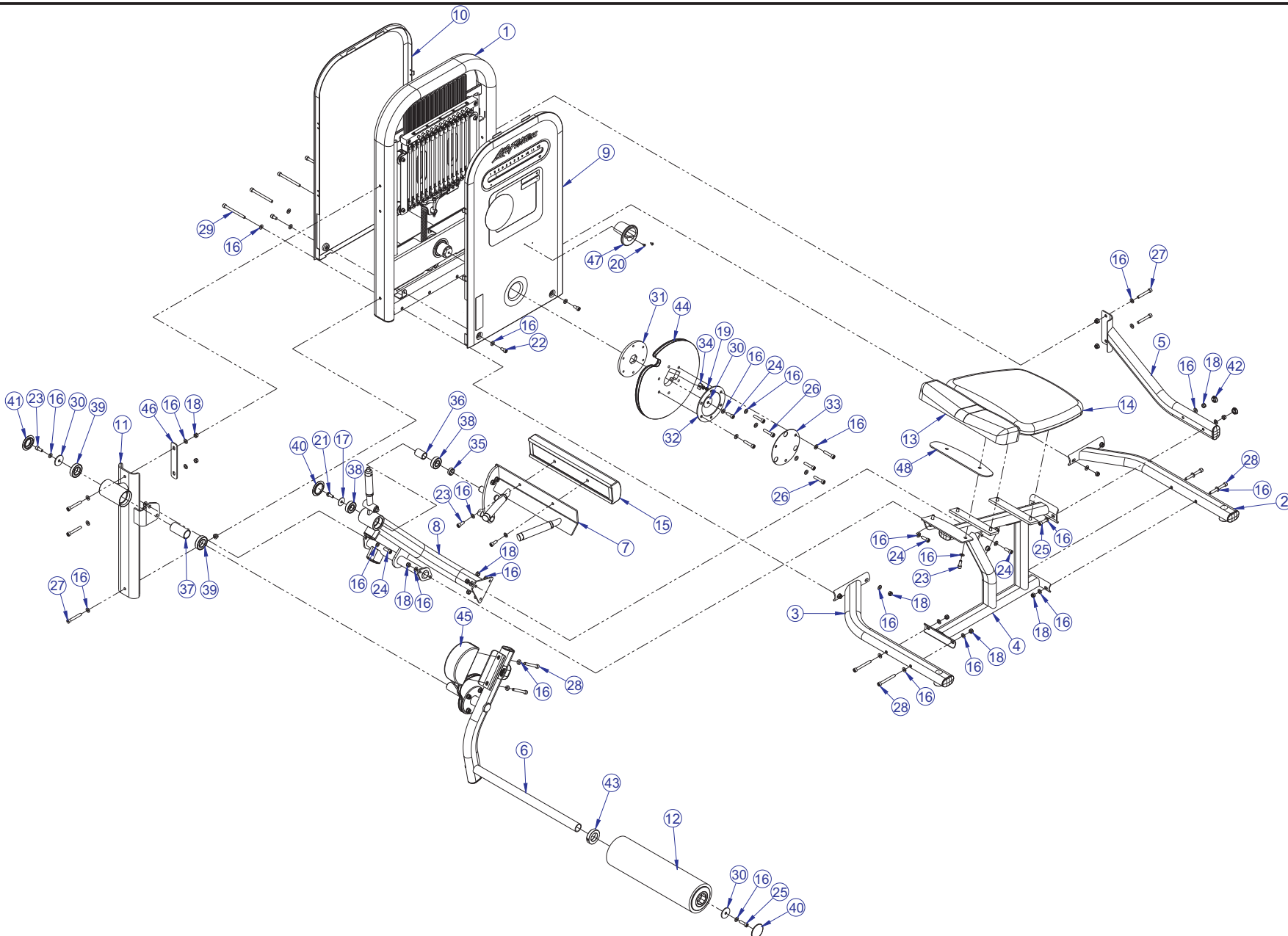
Item numbers ending in 'XX' require paint color.
Replace last two digits from the corresponding code.

01 = White

02 = Platinum

99 = Custom Paint

TCLC SEATED LEG CURL COMPONENT ASSEMBLY

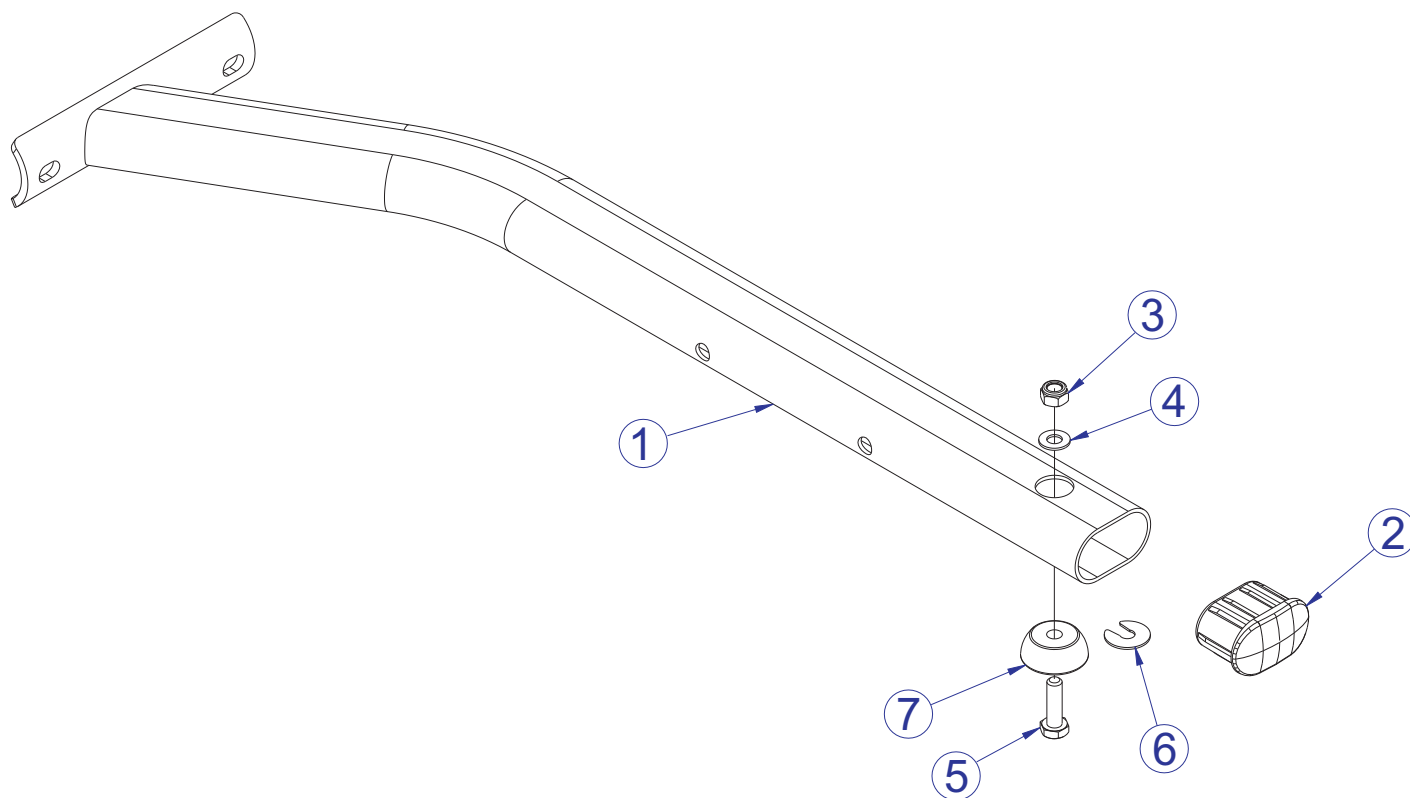


SEE PAGE 4 FOR LEGEND

TCLC SEATED LEG CURL COMPONANT ASSEMBLY LEGEND

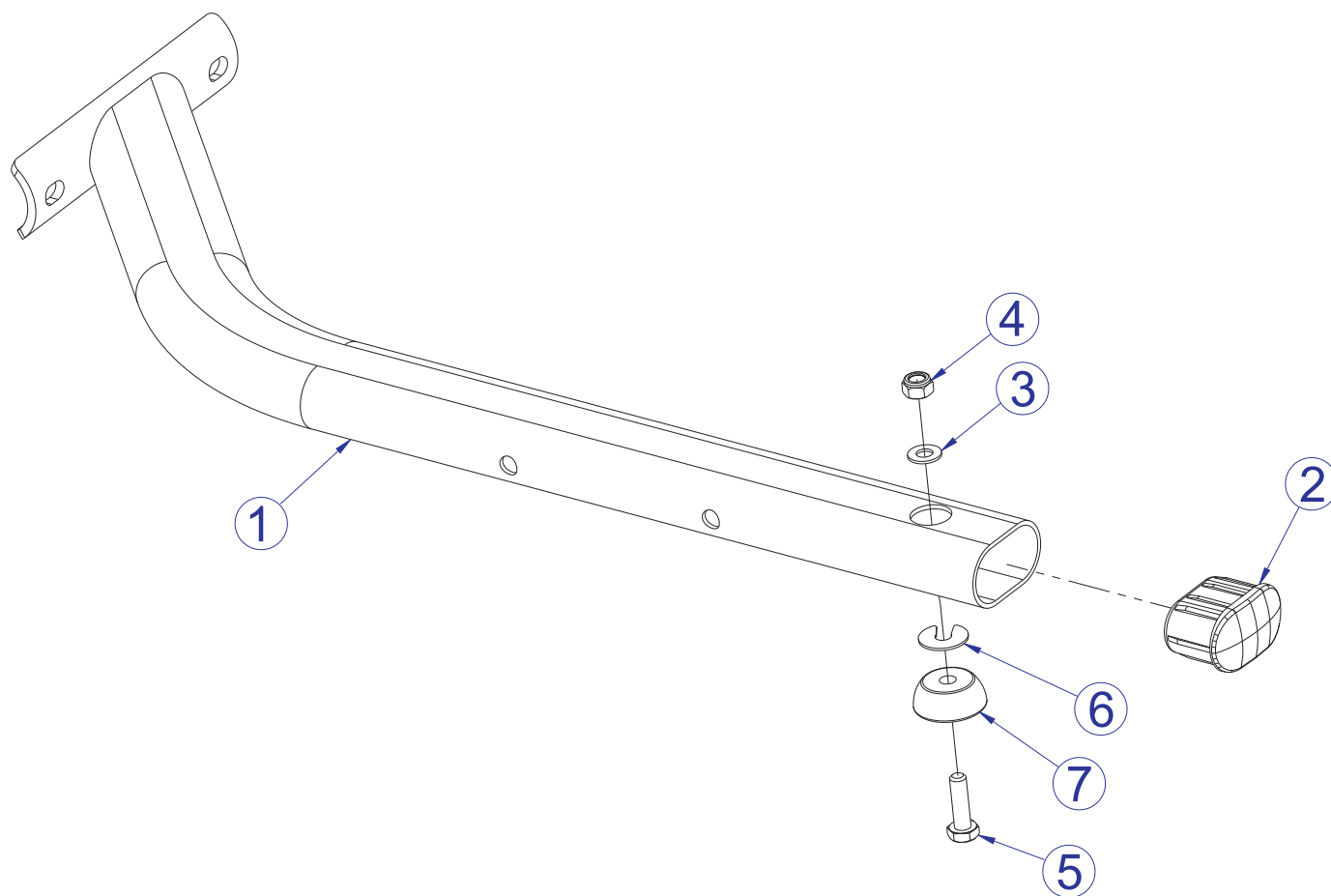
ITEM NO.	QTY.	PART NO.	DESCRIPTION
1	1	79854XX	ASSY, TC-TOWER, FINAL
2	1	80175XX	ASSY, TCLC/LE, REAR BRACE
3	1	80176XX	ASSY, TCLC/LE, FRONT BRACE
4	1	80211XX	ASSY, TCLC, SEAT FRAME
5	1	80214XX	ASSY, TCLC, TOP BRACE
6	1	80215XX	ASSY, TCLC WORKARM
7	1	80217XX	ASSY, TCLC, KNEE HANDLES
8	1	80218XX	ASSY, TCLC, KNEE SPRT
9	1	8024704	ASSY, TC-TOWER, SHROUD FRONT, TCLC
10	1	8024804	ASSY, TC-TOWER, SHROUD REAR
11	1	80078XX	WLDMT, TCLC, MAIN PIVOT
12	1	7392801	ASSY, ROLLER PAD - LONG
13	1	7767801	PAD, SEAT LEADING EDGE
14	1	7401501	PAD, SEAT LE/SLC
15	1	7470701	PAD, KNEE
16	67	3102514	WASHER, FLAT 3/8" SAE ST ZN
17	1	3236701	WASHER, FENDER 3/8" ID X 1.5" OD SS
18	22	3242002	NUT, M10 X 1.5 HEX NYLOCK
19	2	3247502	NUT, M8 X 1.25 HEX JAM ST ZN
20	2	3239101	SCREW, M5X10 PHL PAN TT ST
21	1	3251202	SCREW, M10 X1.5 X 25MM UNS HEX CS ST ZN
22	4	3251701	SCREW, M10 X1.5 20MM
23	9	3251702	SCREW, M10 X1.5 25MM
24	8	3251703	SCREW, M10 X1.5 30MM
25	3	3251704	SCREW, M10 X1.5 35MM
26	6	3251707	SCREW, M10 X1.5 50MM
27	5	3251711	SCREW, M10 X1.5 70MM
28	6	3251715	SCREW, M10 X1.5 90MM
29	4	3251719	SCREW, M10 X1.5 120MM
30	3	7322301	PLATE, 1.97 OD X .44 ID 10GA
31	1	7998401	PLATE, TC TOWER, OUTPUT
32	1	7998801	PLATE, TC-TOWER, RING
33	1	7998995	PLATE, TC-TOWER, COVER
34	1	8001801	PLATE,TC, CABLE RETAIN.
35	1	7330001	SPACER, INTERNAL X .403
36	1	7330006	SPACER, INTERNAL X 1.765
37	1	7511503	SPACER, FZ/PS INTERNAL 3.345
38	2	3235601	BEARING, 6205 BALL
39	2	3243201	BEARING, 6007 BALL
40	2	7308701	CAP, BEARING HOUSING
41	1	7922701	CAP, BEARING HSNG W/ HOLE
42	4	3237403	PLUG, 1" HOLE
43	1	7357901	SHAFT COLLAR, 1-1/2" ID ALUM
44	1	7998601	CAM, TCLC, OUTPUT
45	1	8008801	COUNTER WEIGHT, SEMI ROUND
46	1	80089XX	PLATE, TCLC/LE, TOWER SPRT
47	1	8013201	GUARD, TC-TOWER, CAM
48	1	80312XX	PLATE, TCLC/LE, PAD SPRT

TCLC SEATED LEG CURL REAR BRACE ASSEMBLY - 80175XX



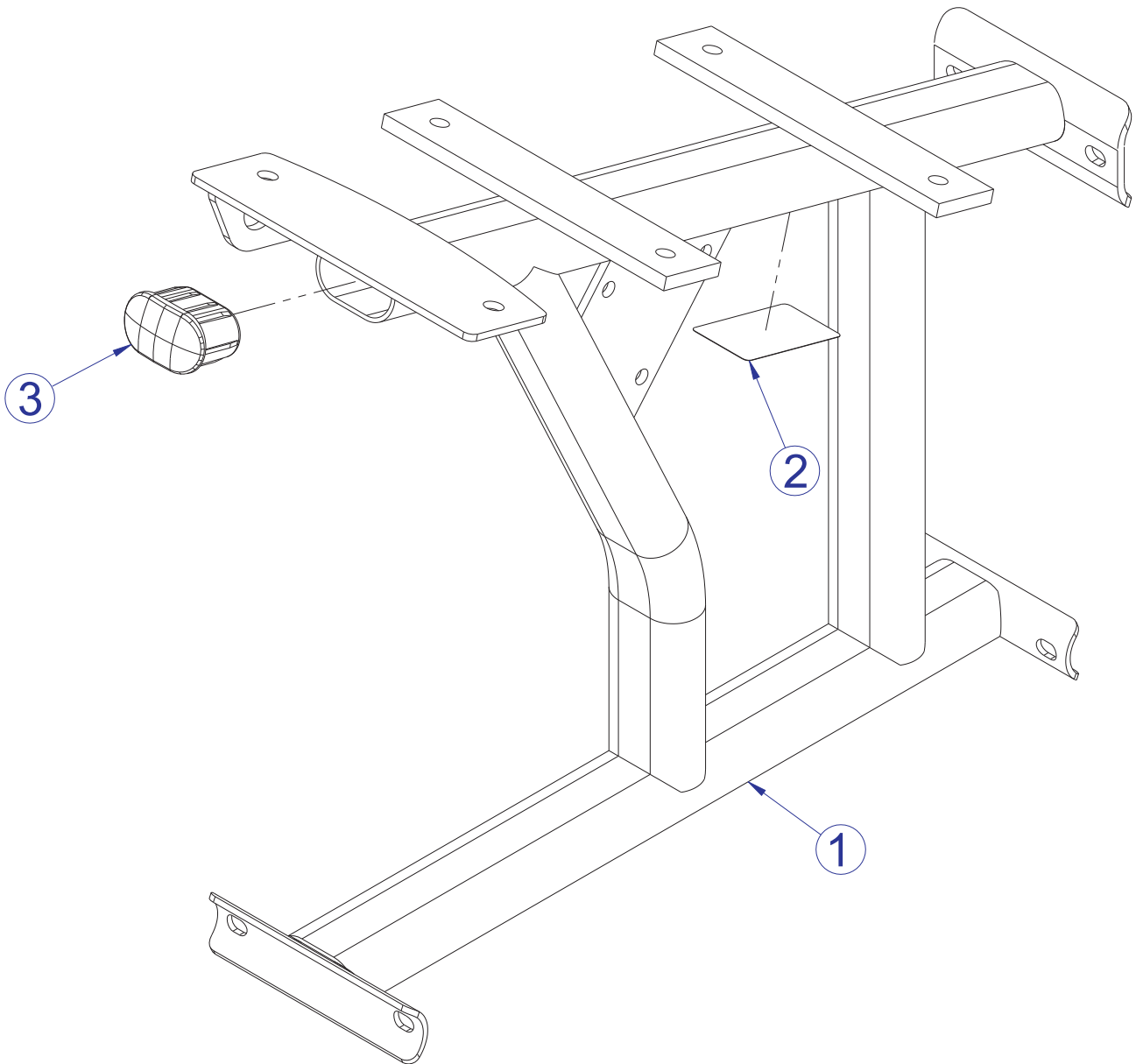
ITEM NO.	QTY.	PART NO.	DESCRIPTION
1	1	80175XX	ASSY, TCLC/LE, REAR BRACE
2	1	7800501	CAP, SML FLOV END
3	1	3242002	NUT, M10 X 1.5 HEX NYLOCK
4	1	3102514	WASHER, FLAT 3/8" SAE ST ZN
5	1	3251204	SCREW, M10 X1.5 X 35MM UNS HEX CS ST ZN
6	1	7893101	SHIM, FOOT LEVELER
7	1	7893001	FOOT, LEVELER

TCLC SEATED LEG CURL FRONT BRACE ASSEMBLY- 80176XX



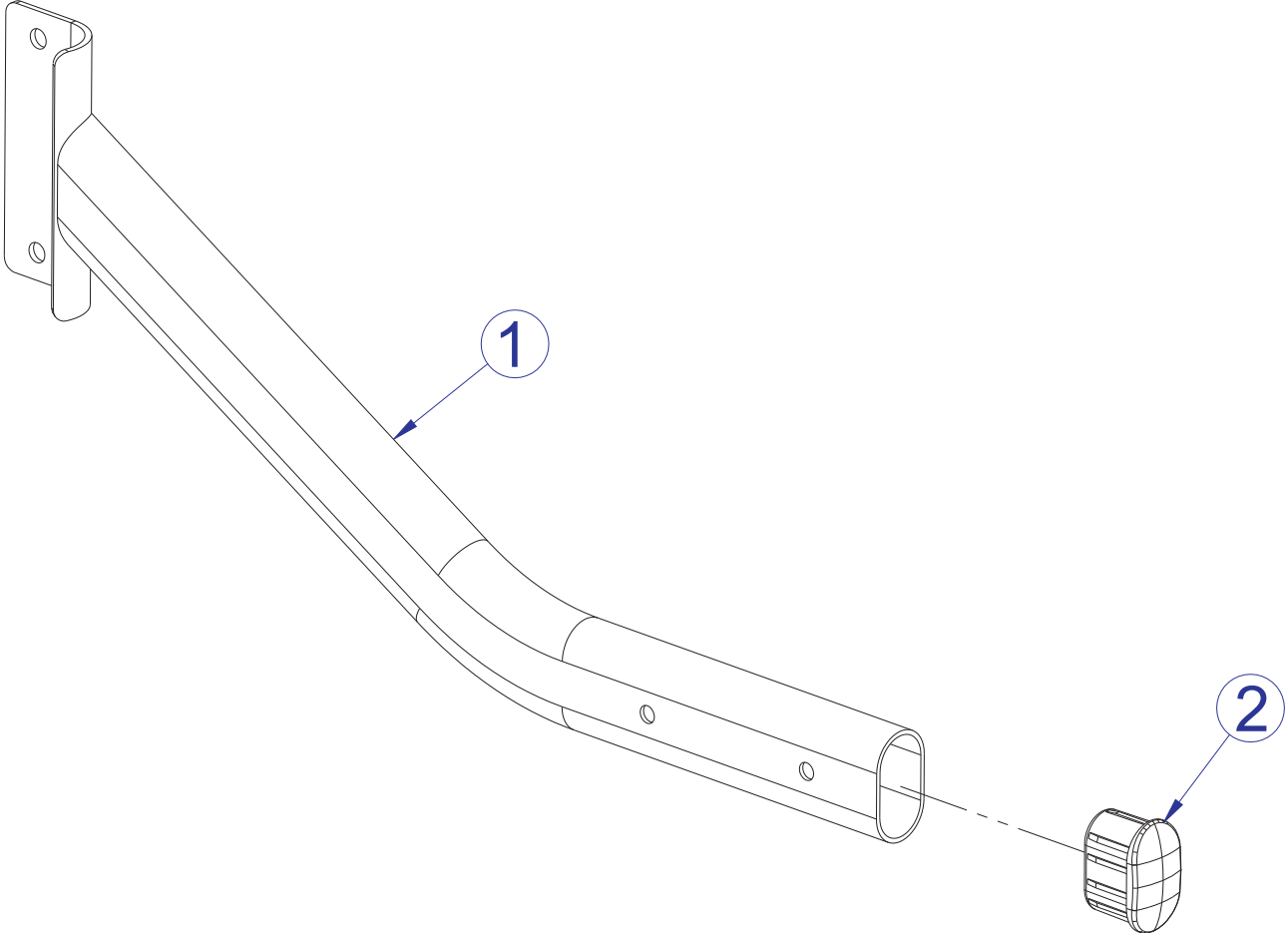
ITEM NO.	QTY.	PART NO.	DESCRIPTION
1	1	80176XX	ASSY, TCLC/LE, FRONT BRACE
2	1	7800501	CAP, SML FLOV END
3	1	3102514	WASHER, FLAT 3/8" SAE ST ZN
4	1	3242002	NUT, M10 X 1.5 HEX NYLOCK
5	1	3251204	SCREW, M10 X1.5 X 35MM UNS HEX CS ST ZN
6	1	7893101	SHIM, FOOT LEVELER
7	1	7893001	FOOT, LEVELER

TCLC SEATED LEG CURL SEAT FRAME ASSEMBLY - 80211XX



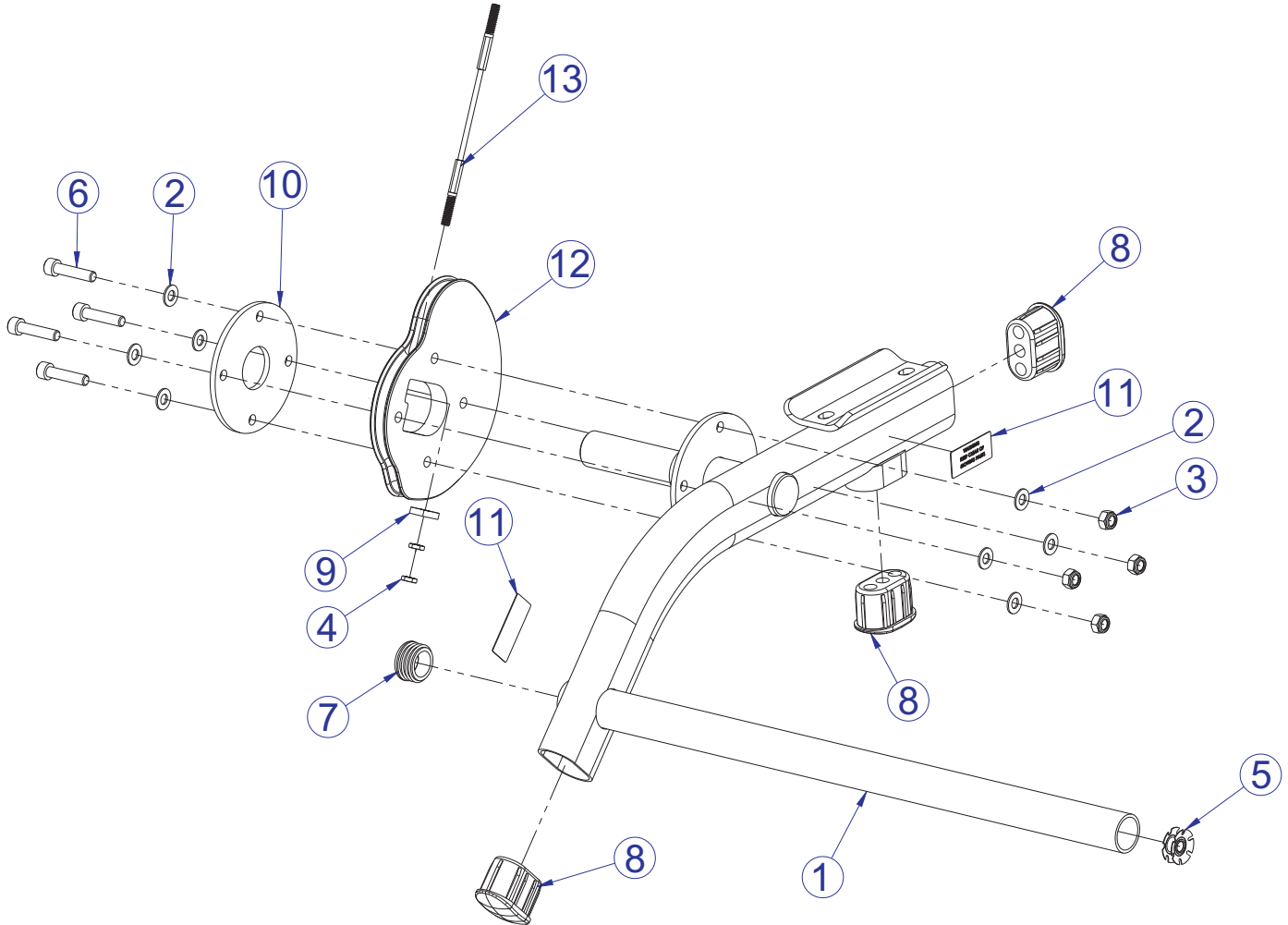
ITEM NO.	QTY.	PART NO.	DESCRIPTION
1	1	80211XX	ASSY, TCLC, SEAT FRAME
2	1	7571301	LABEL, SERIAL NUMBER
3	1	7800501	CAP, SML FLOV END

TCLC SEATED LEG CURL TOP BRACE ASSEMBLY - 80214XX



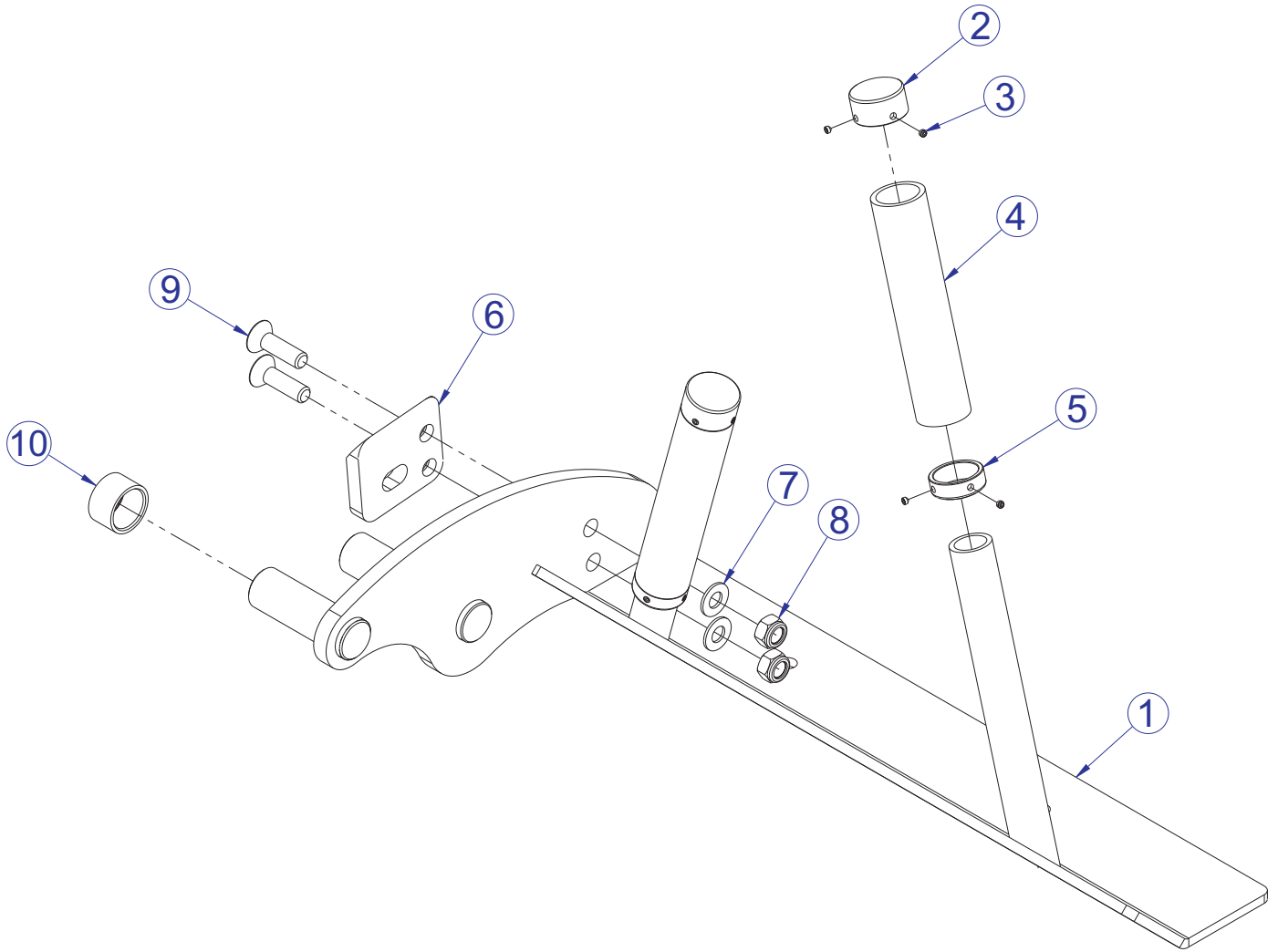
ITEM NO.	QTY.	PART NO.	DESCRIPTION
1	1	80214XX	ASSY, TCLC, TOP BRACE
2	1	7800501	CAP, SML FLOV END

TCLC SEATED LEG CURL WORKARM ASSEMBLY - 80215XX



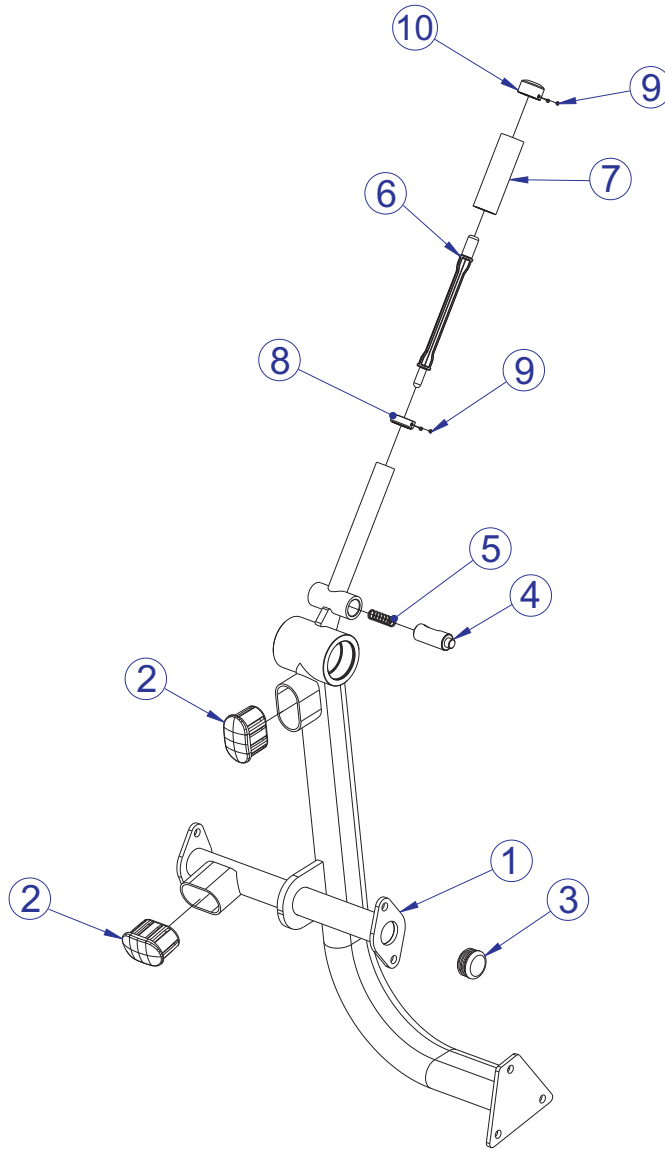
ITEM NO.	QTY.	PART NO.	DESCRIPTION
1	1	80082XX	WLDMT, TCLC, WORK ARM
2	8	3102514	WASHER, FLAT 3/8" SAE ST ZN
3	4	3242002	NUT, M10 X 1.5 HEX NYLOCK
4	2	3247502	NUT, M8 X 1.25 HEX JAM ST ZN
5	1	7347301	NUT, SPIDER M10 X 1.5
6	4	3251706	SCREW, M10 X1.5 45MM
7	1	3119306	CAP, END 1.50 DIA RD 8-12 GA
8	3	7800501	CAP, SML FLOV END
9	1	8001801	PLATE,TC, CABLE RETAIN.
10	1	80084XX	PLATE, TCLC/LE, CAM
11	2	8031701	LABEL, WARNING, 2.43 X 1.06
12	1	8011001	CAM, TCLE/TCLC
13	1	8021601	CABLE, TCLC

TCLC SEATED LEG CURL KNEE HANDLE ASSEMBLY - 80217XX



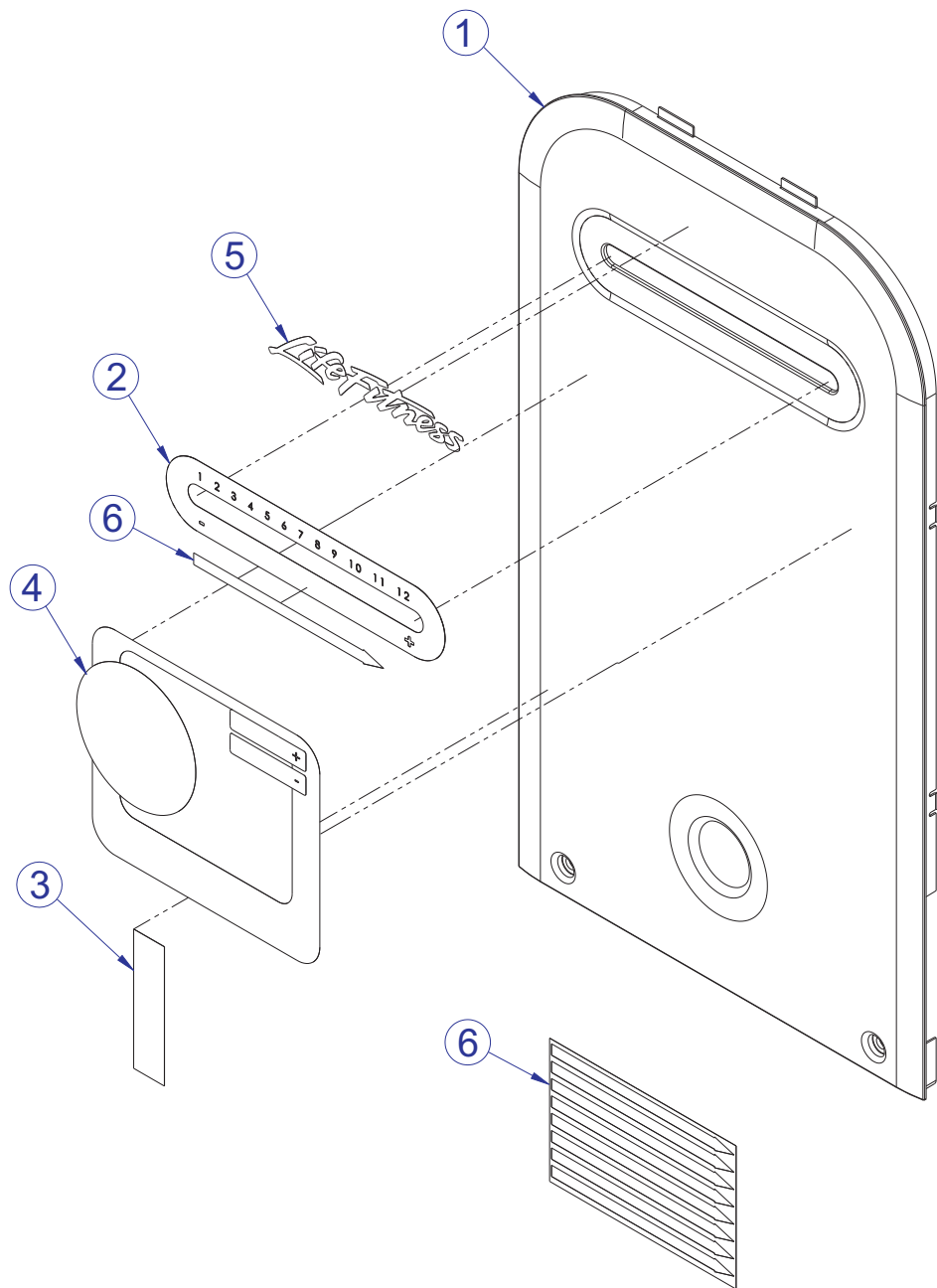
ITEM NO.	QTY.	PART NO.	DESCRIPTION
1	1	80217XX	ASSY, TCLC, KNEE HANDLES
2	2	7662901	CAP, GRIP 1.25 OD
3	8	3247701	M4 X .7 HXS NO CUP ST BO
4	2	3235801	GRIP, 1.25 OD
5	2	7662801	RING, GRIP 1.25 OD
6	1	8025301	PLATE, TCLC, LOCK RAMP
7	2	3102514	WASHER, FLAT 3/8" SAE ST ZN
8	2	3242002	NUT, M10 X 1.5 HEX NYLOCK
9	2	3257207	M10 X 1.5 35MM FLT HD
10	1	7690101	BUMPER, SLEEVE - 1 INCH DIA

TCLC SEATED LEG CURL KNEE SUPPORT ASSEMBLY - 80218XX



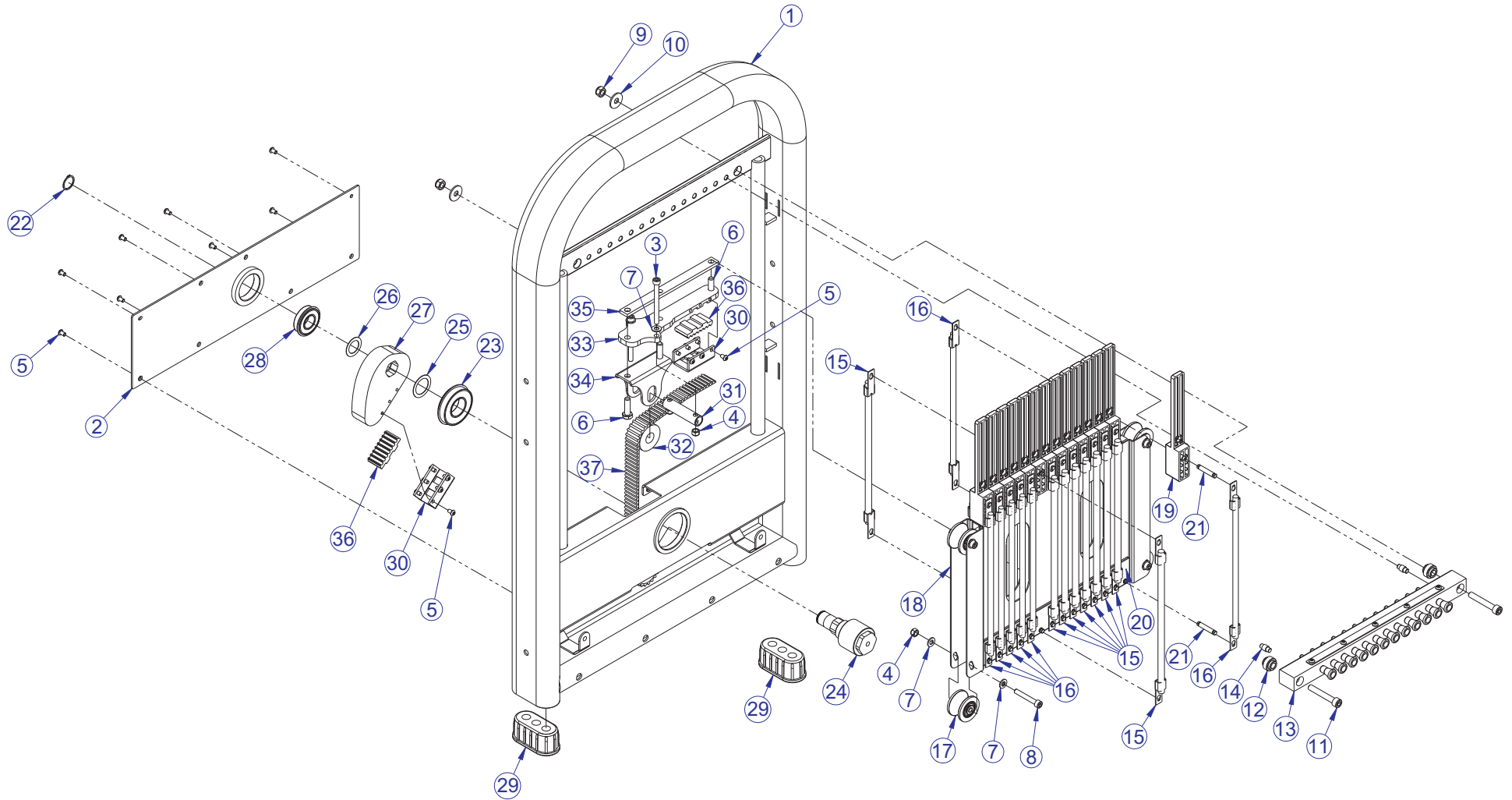
ITEM NO.	QTY.	PART NO.	DESCRIPTION
1	1	80218XX	ASSY, TCLC, KNEE SPRT
2	2	7800501	CAP, SML FLOV END
3	1	3119306	CAP, END 1.50 DIA RD 8-12 GA
4	1	7308401	PIN, PUSH
5	1	6411801	SPRING, POP PIN 3/8 DIA X 2-3/4
6	1	7780101	ROD, PUSH PIN
7	1	3235801	GRIP, 1.25" OD X 4" FZLE, FZSLC, FZCE
8	1	7662801	RING, GRIP 1.25 OD
9	4	3247701	M4 X .7 HXS NO CUP ST BO
10	1	7663001	CAP, GRIP W/HOLE 1.25 OD

TCLC SEATED LEG CURL FRONT SHROUD ASSEMBLY - 8024704



ITEM NO.	QTY.	PART NO.	DESCRIPTION
1	1	8012601	SHROUD, TC-TOWER, FRONT
2	1	8024601	LABEL, TC, SELECTOR
3	1	7422004	LABEL, 2" ASTM WARN
4	1	8025204	LABEL, INSTR, STRENGTH CIRCUIT, TCLC
5	1	8037701	LABEL, TC, LIFE FITNESS
6	1	8047101	LABEL, TC, SELECTOR, MULTI-LANGUAGE

TCLC SEATED LEG CURL TOWER ASSEMBLY - 79854XX

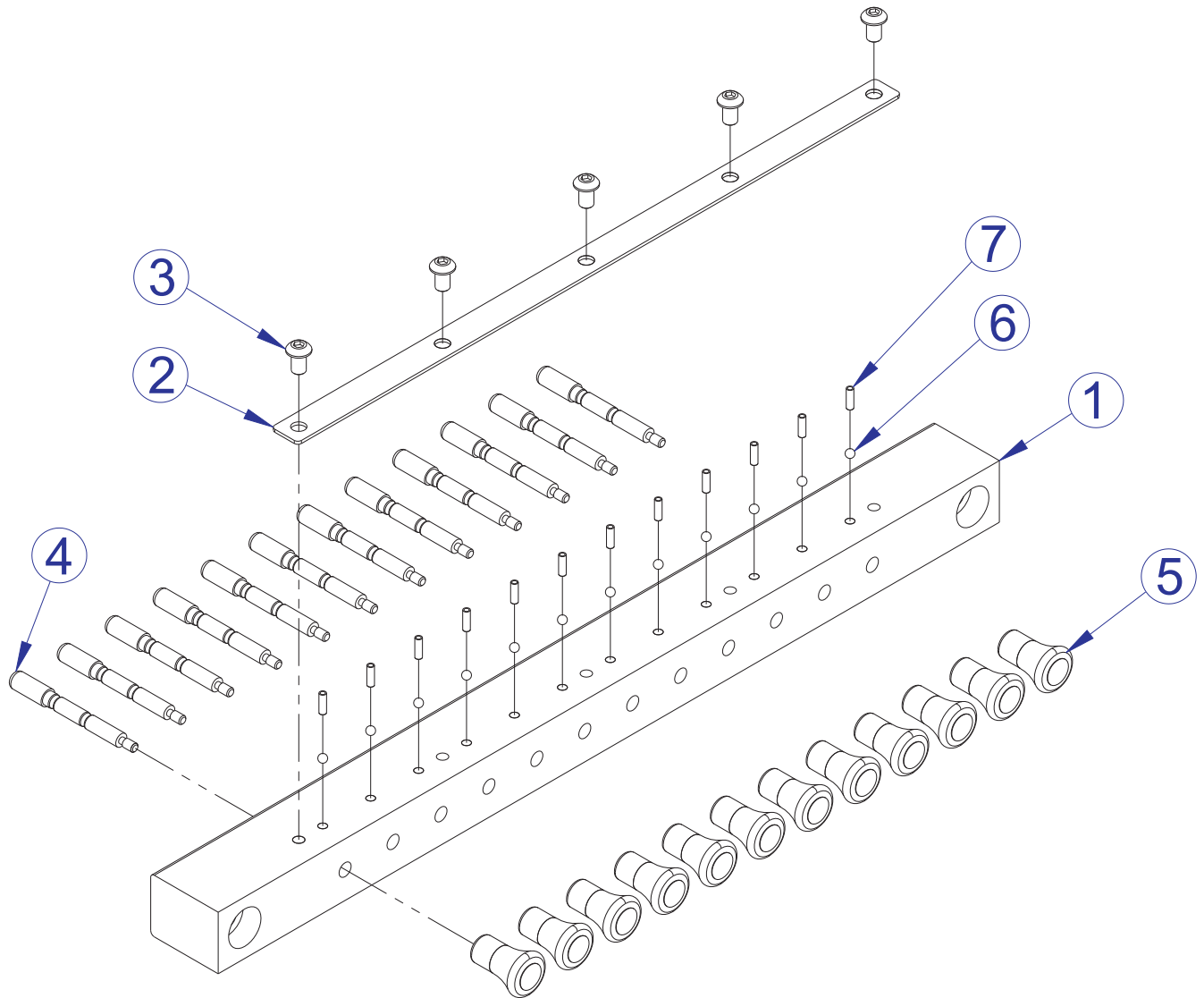


SEE PAGE 14 FOR LEGEND

TCLC SEATED LEG CURL TOWER ASSEMBLY LEGEND

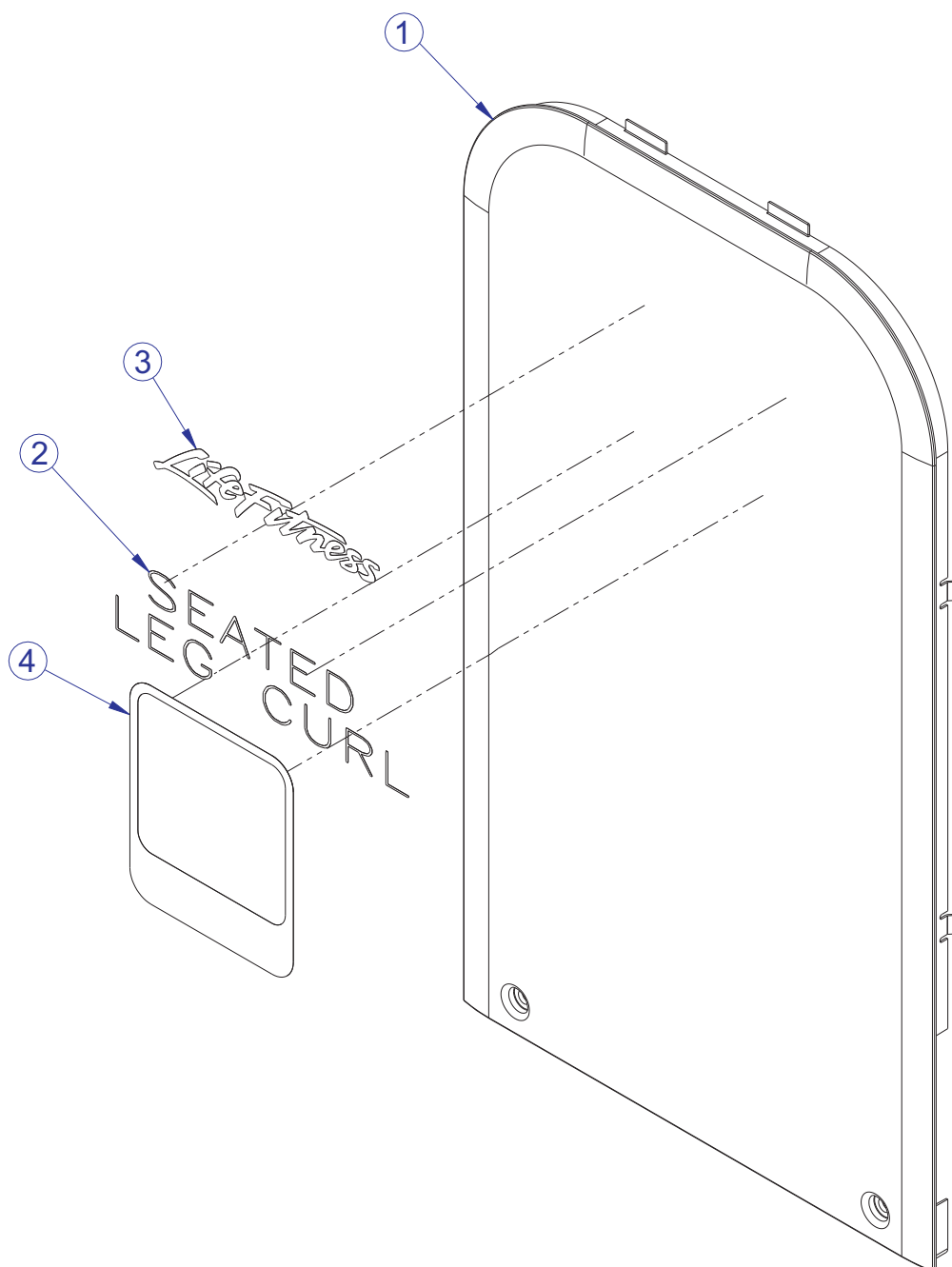
ITEM NO.	QTY.	PART NO.	DESCRIPTION
1	1	79855XX	WLDMT, TC-TOWER, FRAME
2	1	79856XX	WLDMT, TC-TOWER, COVER
3	2	3253915	SCREW, M8 X1.25 90MM
4	6	3242004	NUT, M8 X 1.25 HEX NYLOCK
5	20	3252802	M6-1.0 X 10 HXS BUT CS ST ZN
6	3	3251204	SCREW, M10 X1.5 X 35MM UNS HEX CS ST ZN
7	10	3102509	WASHER, TYPE A PLAIN
8	4	3253908	SCREW, M8 X1.25 55MM
9	2	3242002	NUT, M10 X 1.5 HEX NYLOCK
10	2	3257401	WASHER, FLAT, ST, ZN
11	2	3251710	SCREW, M10 X1.5 65MM
12	2	7996101	SPACER, TC-TOWER, HEADER
13	1	7995801	ASSY, TC-TOWER, HEADER
14	2	8015701	PIN, TC-TOWER, BLOCK FIXED
15	16	8015001	ASSY, CORD, BUNGEE 1/2"
16	12	8014901	ASSY, CORD, BUNGEE 3/8"
17	4	8018401	ASSY, ROLLER
18	1	79857XX	WLDMT, TC-TOWER, CARRIAGE
19	14	8013101	SELECT BLOCK, TC-TOWER
20	2	8013301	PLATE, BUNGEE SPACER
21	28	8015601	PIN, TC-TOWER, BUNGEE
22	1	3232420	RING, BRE .926, 5100-98 ST PP B
23	1	3256901	BEARING, 6207NR BALL
24	1	7995701	AXLE, TC-TOWER
25	1	7882701	SHIM, 1.225-1.75-.03
26	1	7882801	SHIM, 1.005-1.50-.03
27	1	8019901	CAM, TC-TOWER
28	1	3257001	BEARING, 6205NR BALL
29	2	8012901	CAP, MFLOV END
30	2	8019201	BRKT, TC-TOWER, BELT
31	1	8019501	SHAFT, TC-TOWER,PULLEY
32	1	8019701	ROLLER, TC-TOWER, BELT
33	1	8019401	PLATE, TC-TOWER, PULLEY MOUNT
34	1	8019301	BRKT, TC-TOWER, PULLEY
35	1	8024301	PLATE, TC-TOWER, SPACER
36	2	8019601	BLOCK, BELT, TC-TOWER
37	1	8026401	BELT, 30MM, KEVLAR

TCLC SEATED LEG CURL TOWER HEADER ASSEMBLY - 7995801



ITEM NO.	QTY.	PART NO.	DESCRIPTION
1	1	7995901	BAR, HEADER, FRONT
2	1	7996001	PLATE, SPRING RETAINER
3	5	3262001	M6-1.0 X 10 TORX BUT CS ST ZN
4	12	8020001	PIN, TC-TOWER, SELECTOR
5	12	8013001	KNOB, TC-TOWER, PIN
6	12	3265601	BALL, CHROME ALLOY STEEL X 3.5MM
7	12	3253202	SPRING, .12 DIA X .438 X .018 WIRE DIA

TCLC SEATED LEG CURL REAR SHROUD ASSEMBLY - 8024804



ITEM NO.	QTY.	PART NO.	DESCRIPTION
1	1	8012701	SHROUD, TC-TOWER, REAR
2	1	8024904	LABEL, STRENGTH CIRCUIT, TCLC
3	1	8037701	LABEL, TC, LIFE FITNESS
4	1	8038004	LABEL, TCLC, PLACARD REAR

TCLC SEATED LEG CURL IMAGE

