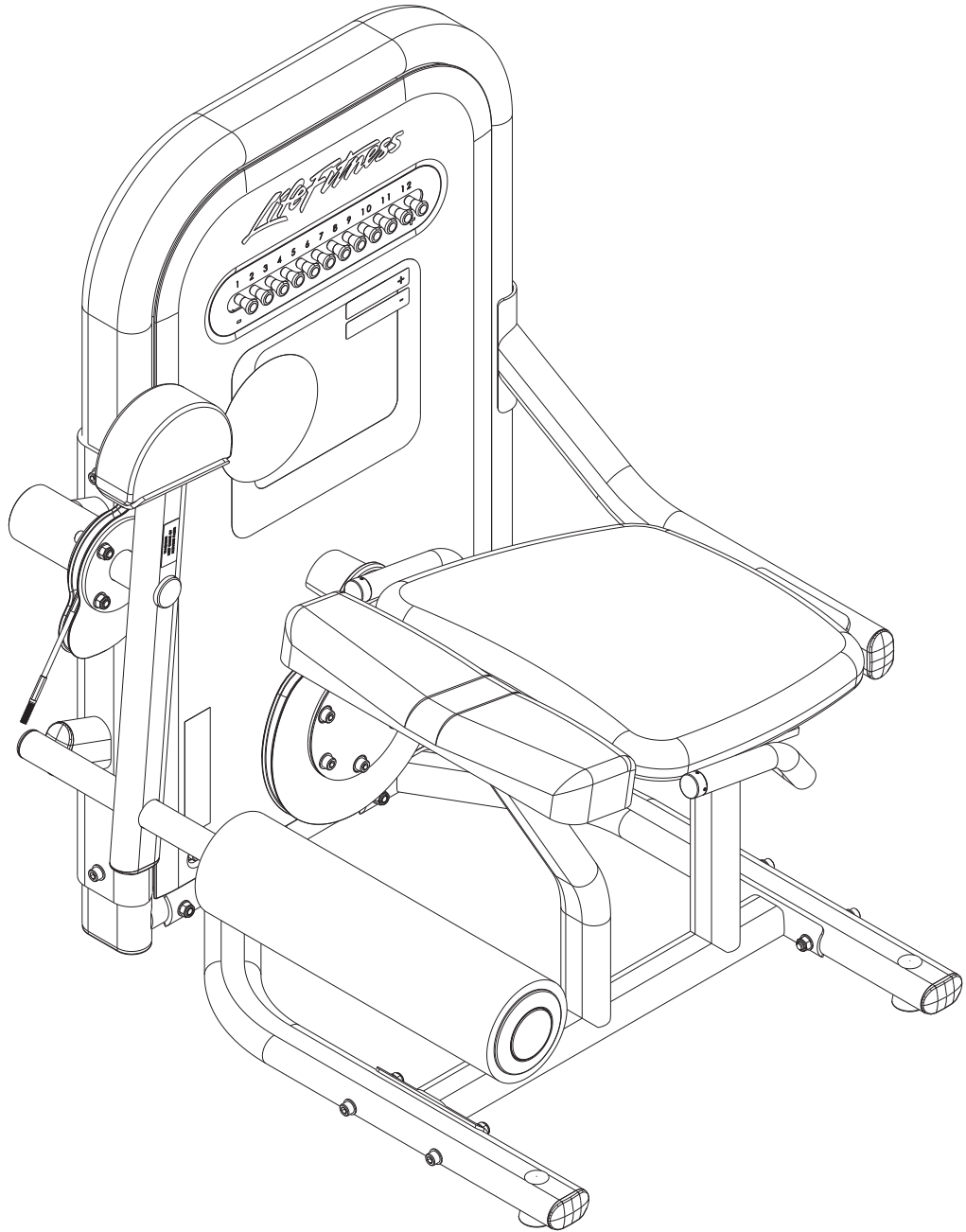




CIRCUIT SERIES
TCLE
LEG EXTENSION



Customer Support Services
PARTS LIST

TCLE LEG EXTENSION

Contents

COMPONANT ASSEMBLY	pg.3
COMPONANT ASSEMBLY LEGEND	4
SEAT FRAME ASSEMBLY	5
REAR BRACE ASSEMBLY	6
FRONT BRACE ASSEMBLY	7
MAIN PIVOT ASSEMBLY	8
WORKARM ASSEMBLY	9
TOP BRACE ASSEMBLY	10
RIGHT HANDLE ASSEMBLY	11
LEFT HANDLE ASSEMBLY	12
FRONT SHROUD ASSEMBLY	13
TOWER ASSEMBLY	14
TOWER ASSEMBLY LEGEND	15
TOWER HEADER ASSEMBLY	16
REAR SHROUD	17
IMAGE	18

COLOR LEGEND

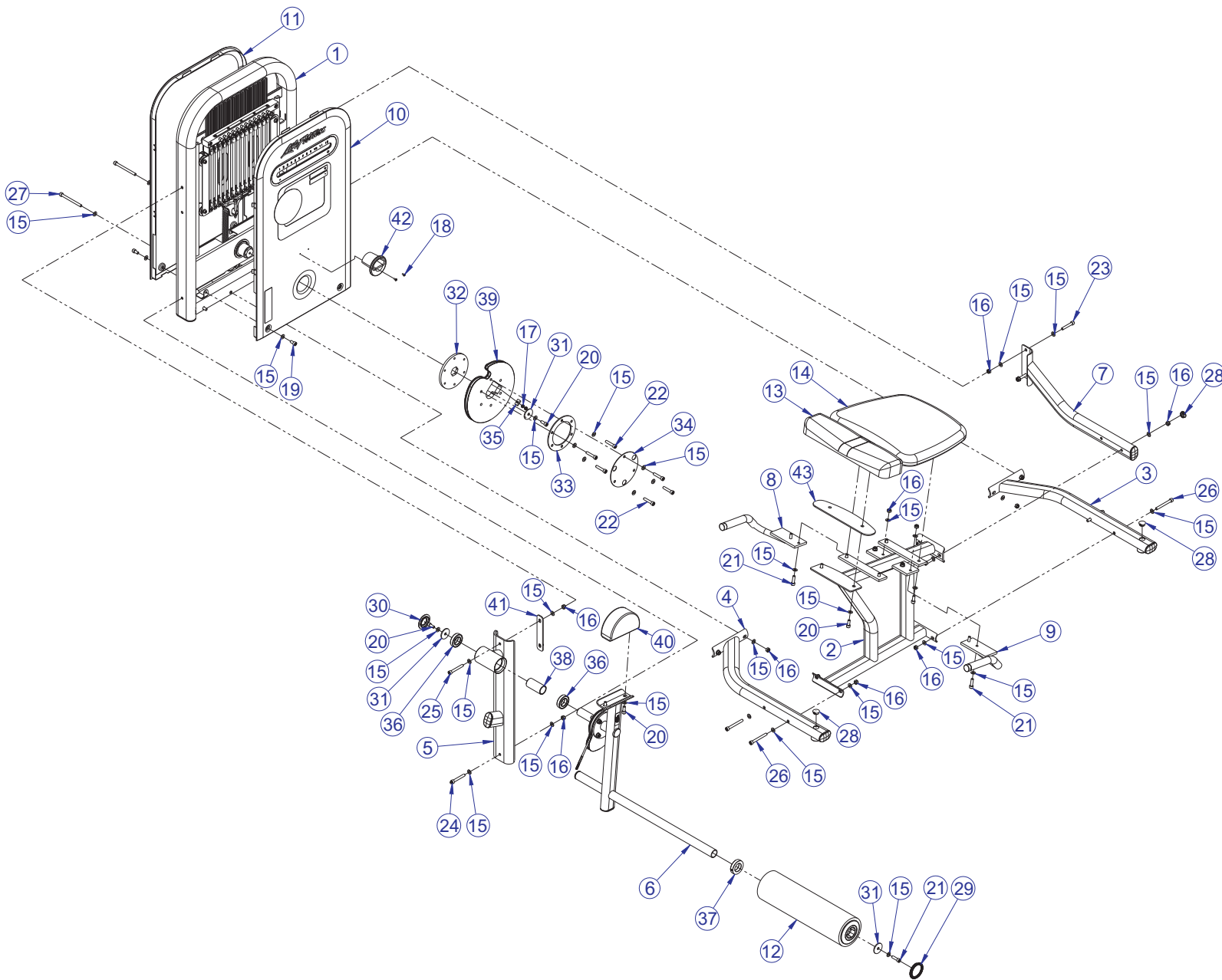
Item numbers ending in 'XX' require paint color.
Replace last two digits from the corresponding code.

01 = White

02 = Platinum

99 = Custom Paint

TCLE LEG EXTENSION COMPONENT ASSEMBLY

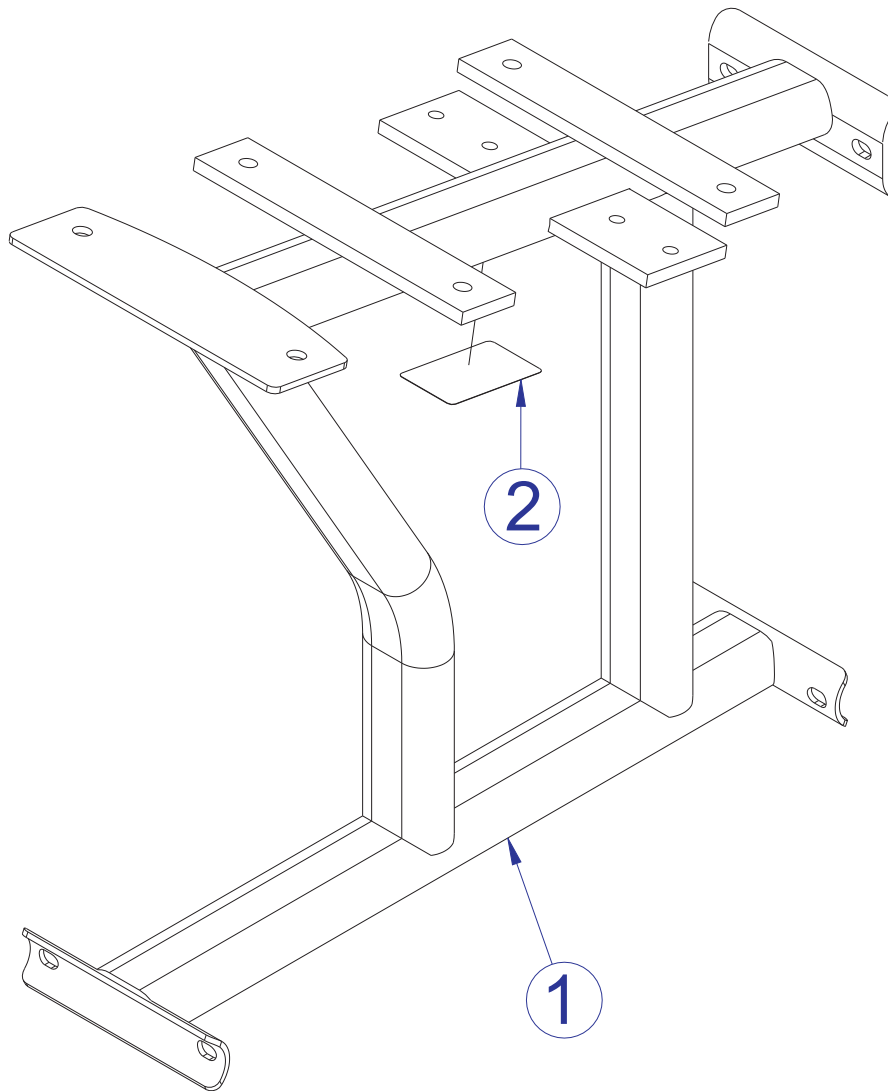


SEE PAGE 4 FOR LEGEND

TCLE LEG EXTENSION COMPONANT ASSEMBLY LEGEND

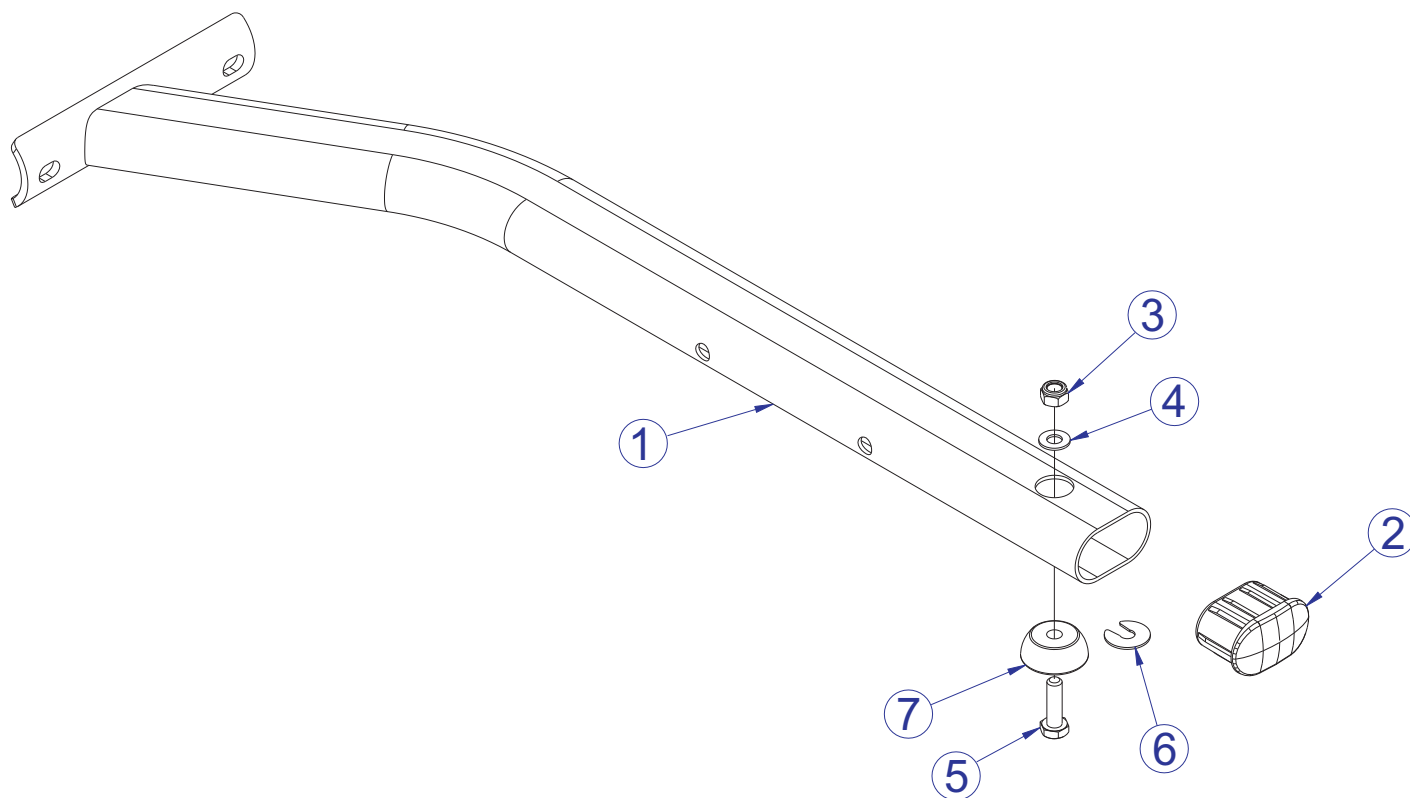
ITEM NO.	QTY.	PART NO.	DESCRIPTION
1	1	79854XX	ASSY, TC-TOWER, FINAL
2	1	80207XX	ASSY, TCLE, SEAT FRAME
3	1	80175XX	ASSY, TCLC/LE, REAR BRACE
4	1	80176XX	ASSY, TCLC/LE, FRONT BRACE
5	1	80178XX	ASSY, TCLE, MAIN PIVOT
6	1	80179XX	ASSY, TCLE, WORKARM
7	1	80180XX	ASSY, TCLE, TOP BRACE
8	1	80208XX	ASSY, TCLE, HANDLE RIGHT
9	1	80209XX	ASSY, TCLE, HANDLE LEFT
10	1	8024705	ASSY, TC-TOWER, SHROUD FRONT, TCLE
11	1	8024805	ASSY, TC-TOWER, SHROUD REAR, TCLE
12	1	7392801	ASSY, ROLLER PAD - LONG
13	1	7767801	PAD, SEAT LEADING EDGE
14	1	7401501	PAD, SEAT LE/SLC
15	59	3102514	WASHER, FLAT 3/8" SAE ST ZN
16	19	3242002	NUT, M10 X 1.5 HEX NYLOCK
17	2	3247502	NUT, M8 X 1.25 HEX JAM ST ZN
18	2	3239101	SCREW, M5X10 PHL PAN TT ST
19	4	3251701	SCREW, M10 X1.5 20MM
20	10	3251702	SCREW, M10 X1.5 25MM
21	7	3251704	SCREW, M10 X1.5 35MM
22	6	3251707	SCREW, M10 X1.5 50MM
23	2	3251709	SCREW, M10 X1.5 60MM
24	1	3251711	SCREW, M10 X1.5 70MM
25	2	3251712	SCREW, M10 X1.5 75MM
26	4	3251715	SCREW, M10 X1.5 90MM
27	4	3251719	SCREW, M10 X1.5 120MM
28	4	3237403	PLUG, 1" HOLE
29	1	7308701	CAP, BEARING HOUSING
30	1	7922701	CAP, BEARING HSNG W/ HOLE
31	3	7322301	PLATE, 1.97 OD X .44 ID 10GA
32	1	7998401	PLATE, TC TOWER, OUTPUT
33	1	7998801	PLATE, TC-TOWER, RING
34	1	7998995	PLATE, TC-TOWER, COVER
35	1	8001801	PLATE,TC, CABLE RETAIN.
36	2	3243201	BEARING, 6007 BALL
37	1	7357901	SHAFT COLLAR, 1-1/2" ID ALUM
38	1	7511503	SPACER, FZ/PS INTERNAL 3.345
39	1	7998501	CAM, TC, OUTPUT
40	1	8008801	COUNTER WEIGHT, SEMI ROUND
41	1	80089XX	PLATE, TCLC/LE, TOWER SPRT
42	1	8013201	GUARD, TC-TOWER, CAM
43	1	80312XX	PLATE, TCLC/LE, PAD SPRT

TCLE LEG EXTENSION SEAT FRAME ASSEMBLY - 80207XX



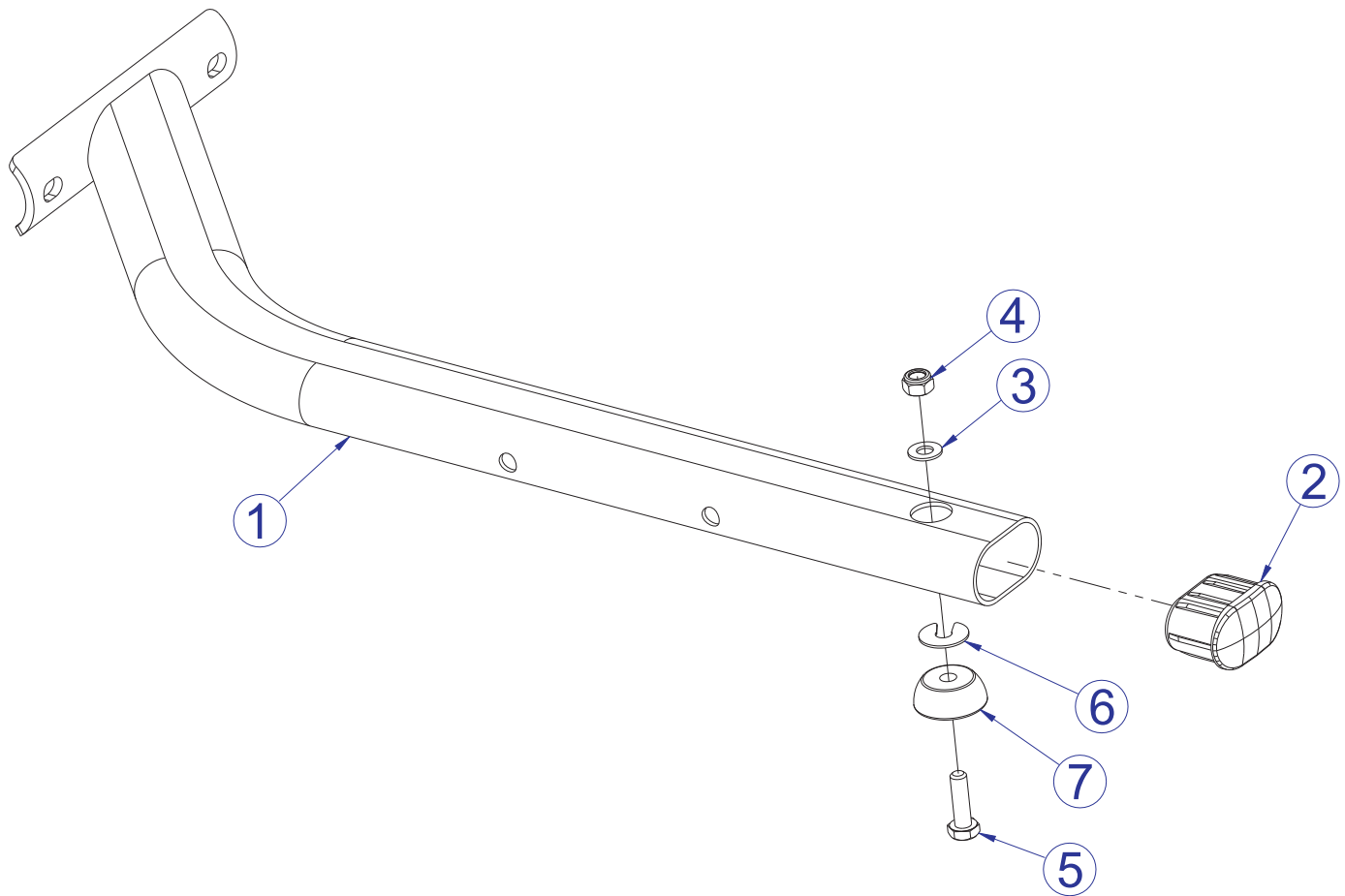
ITEM NO.	QTY.	PART NO.	DESCRIPTION
1	1	80207XX	ASSY, TCLE, SEAT FRAME
2	1	7571301	LABEL, SERIAL NUMBER

TCLE LEG EXTENSION REAR BRACE ASSEMBLY - 80175XX



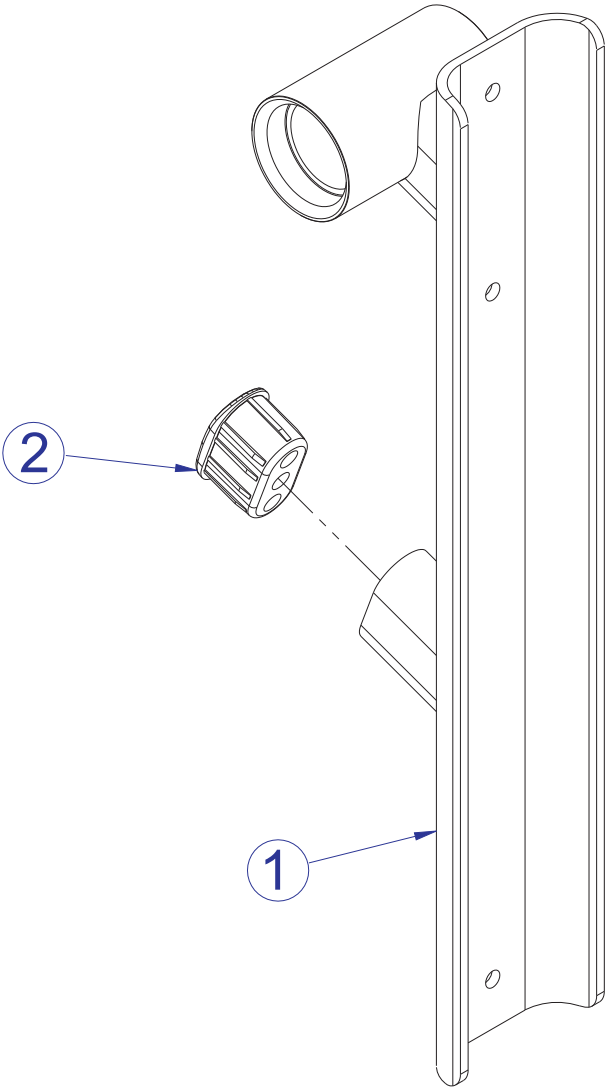
ITEM NO.	QTY.	PART NO.	DESCRIPTION
1	1	80175XX	ASSY, TCLC/LE, REAR BRACE
2	1	7800501	CAP, SML FLOV END
3	1	3242002	NUT, M10 X 1.5 HEX NYLOCK
4	1	3102514	WASHER, FLAT 3/8" SAE ST ZN
5	1	3251204	SCREW, M10 X1.5 X 35MM UNS HEX CS ST ZN
6	1	7893101	SHIM, FOOT LEVELER
7	1	7893001	FOOT, LEVELER

TCLE LEG EXTENSION FRONT BRACE ASSEMBLY- 80176XX



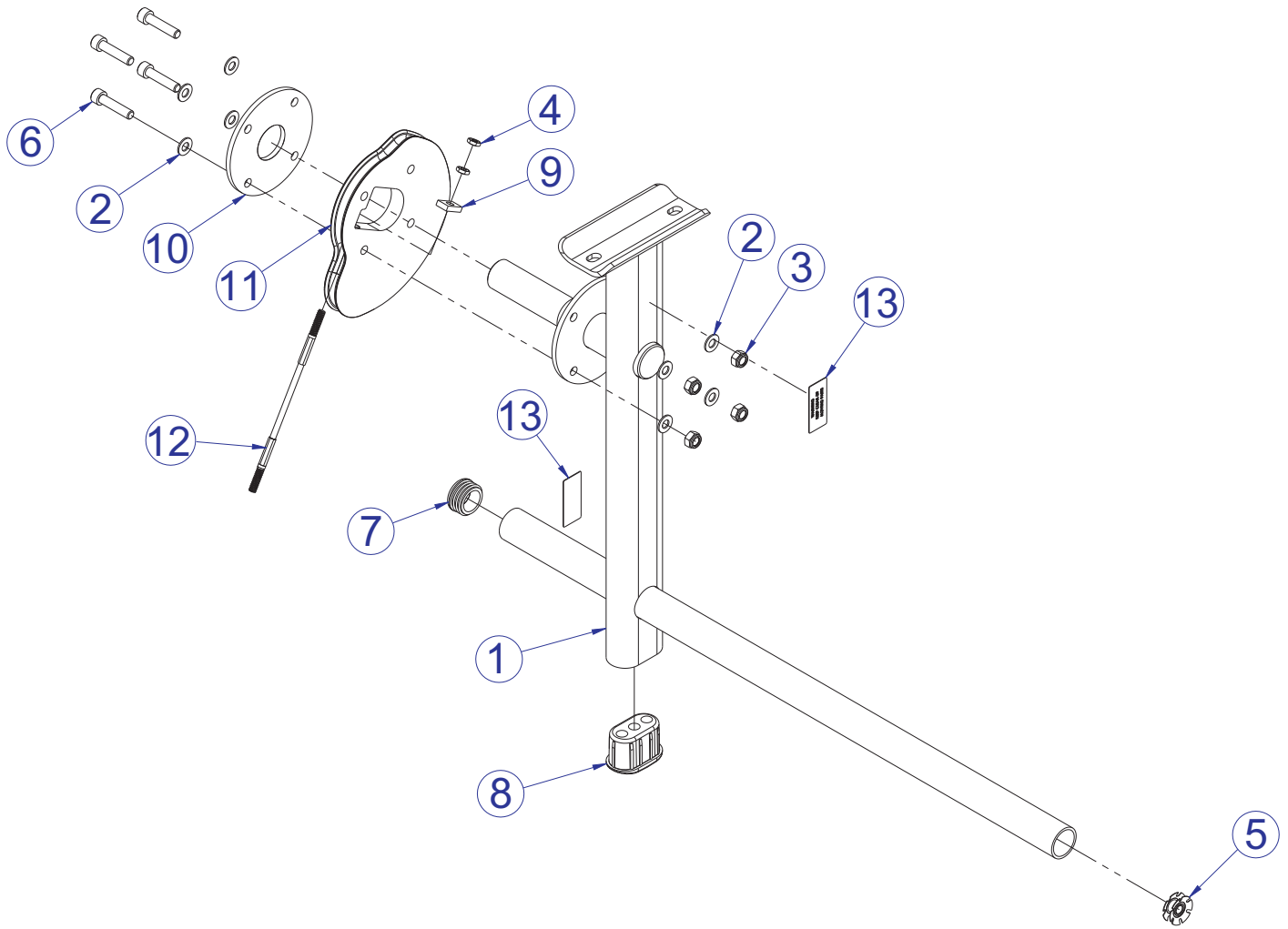
ITEM NO.	QTY.	PART NO.	DESCRIPTION
1	1	80176XX	ASSY, TCLC/LE, FRONT BRACE
2	1	7800501	CAP, SML FLOV END
3	1	3102514	WASHER, FLAT 3/8" SAE ST ZN
4	1	3242002	NUT, M10 X 1.5 HEX NYLOCK
5	1	3251204	SCREW, M10 X1.5 X 35MM UNS HEX CS ST ZN
6	1	7893101	SHIM, FOOT LEVELER
7	1	7893001	FOOT, LEVELER

TCLE LEG EXTENSION MAIN PIVOT ASSEMBLY - 80178XX



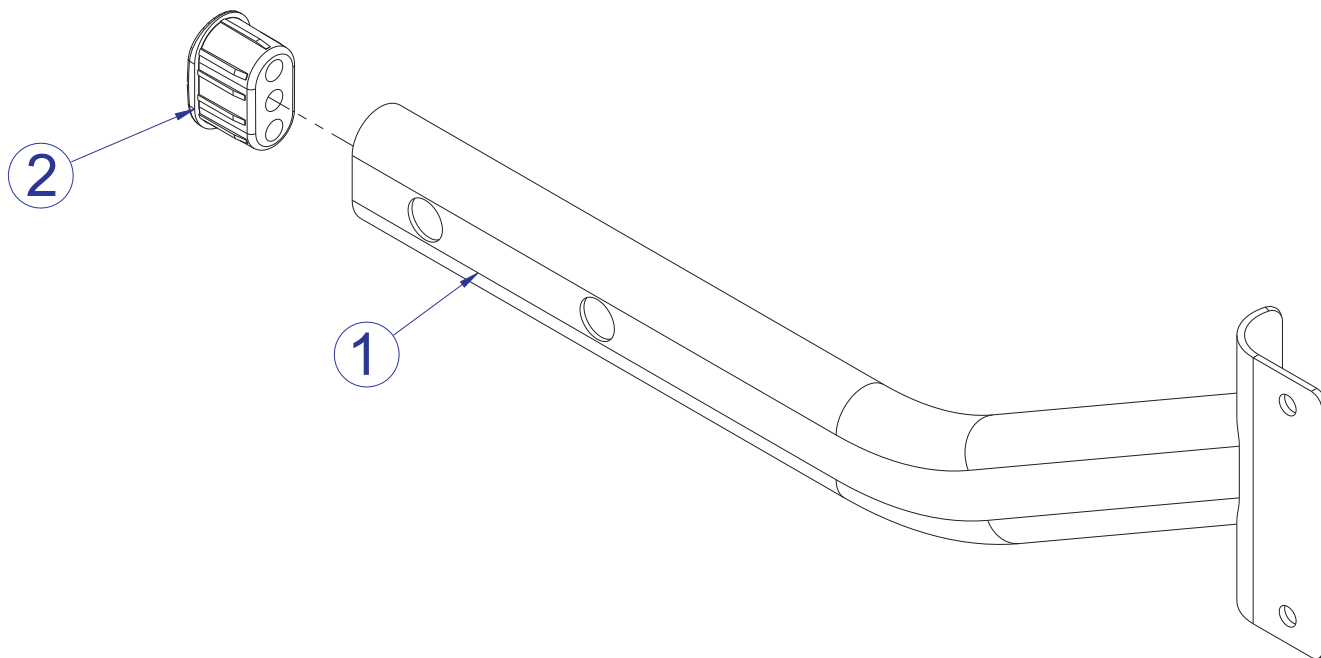
ITEM NO.	QTY.	PART NO.	DESCRIPTION
1	1	80178XX	ASSY, TCLE MAIN PIVOT
2	1	7800501	CAP, SML FLOV END

TCLE LEG EXTENSION WORKARM ASSEMBLY - 80179XX



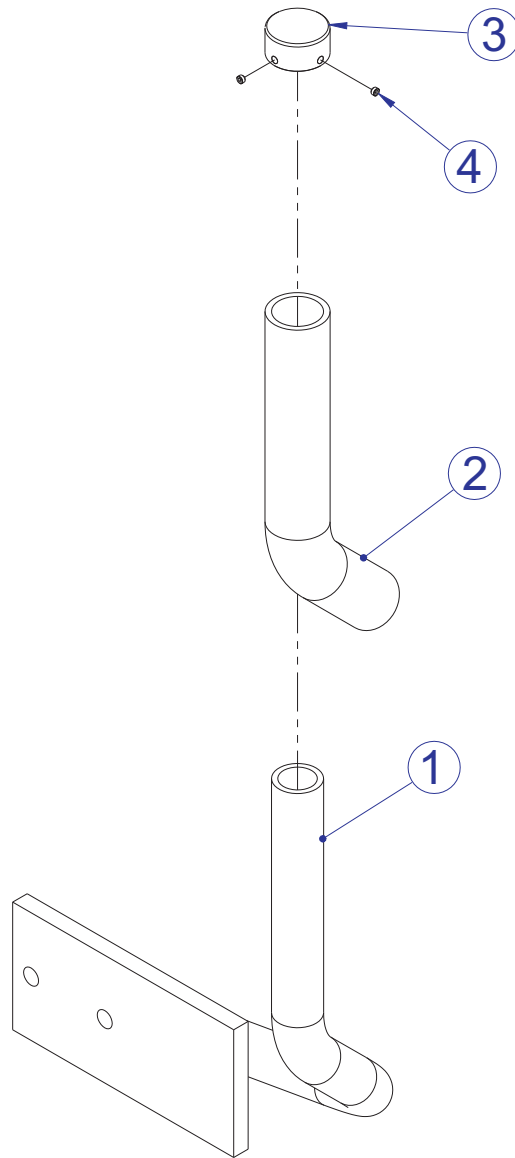
ITEM NO.	QTY.	PART NO.	DESCRIPTION
1	1	80099XX	WLDMT, TCLE, WORK ARM
2	8	3102514	WASHER, FLAT 3/8" SAE ST ZN
3	4	3242002	NUT, M10 X 1.5 HEX NYLOCK
4	2	3247502	NUT, M8 X 1.25 HEX JAM ST ZN
5	1	7347301	NUT, SPIDER M10 X 1.5
6	4	3251706	SCREW, M10 X1.5 45MM
7	1	3119306	CAP, END 1.50 DIA RD 8-12 GA
8	1	7800501	CAP, SML FLOV END
9	1	8001801	PLATE,TC, CABLE RETAIN.
10	1	80084XX	PLATE, TCLC/LE, CAM
11	1	8011001	CAM, TCLE/TCLC
12	1	8017701	CABLE, TCLE
13	2	8031701	LABEL, WARNING, 2.43 X 1.06

TCLE LEG EXTENSION TOP BRACE ASSEMBLY - 80180XX



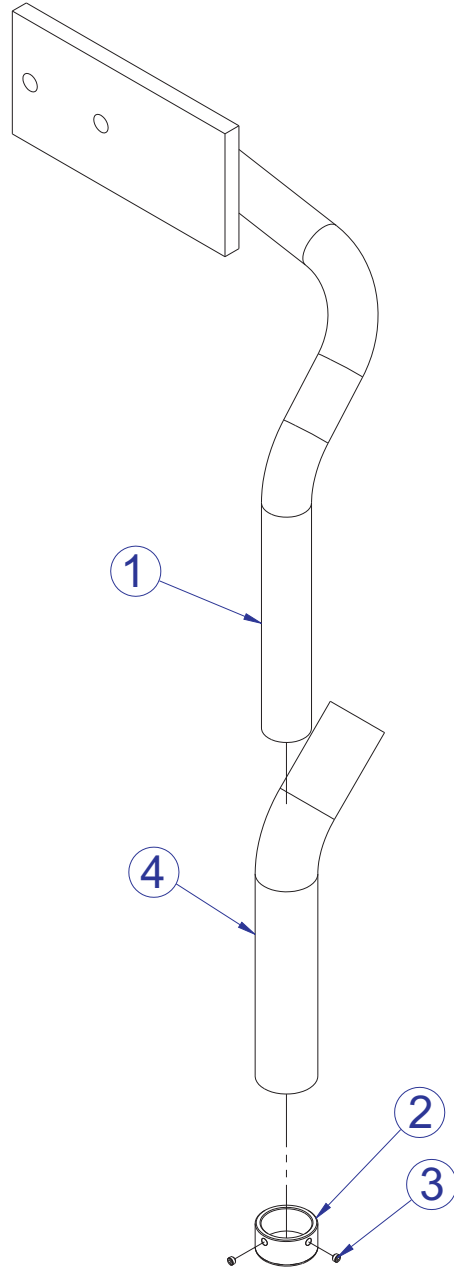
ITEM NO.	QTY.	PART NO.	DESCRIPTION
1	1	80180XX	ASSY, TCLE, TOP BRACE
2	1	7800501	CAP, SML FLOV END

TCLE LEG EXTENSION RIGHT HANDLE ASSEMBLY - 80208XX



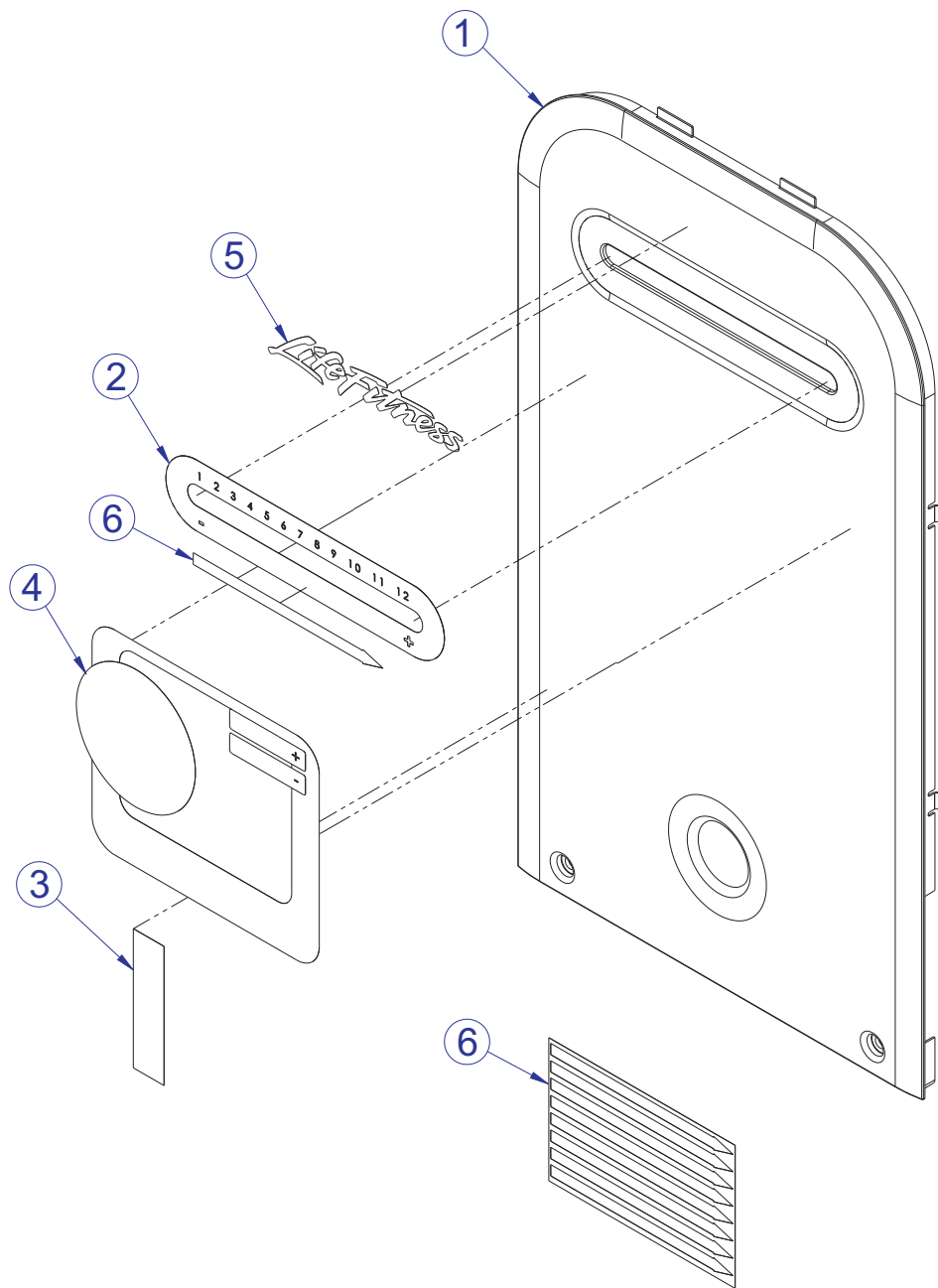
ITEM NO.	QTY.	PART NO.	DESCRIPTION
1	1	80208XX	ASSY, TCLE, HANDLE RIGHT
2	1	3235801	GRIP, 1.25 OD
3	1	7662901	CAP, GRIP 1.25 OD
4	2	3247701	M4 X .7 HXS NO CUP ST BO

TCLE LEG EXTENSION LEFT HANDLE ASSEMBLY - 80209XX



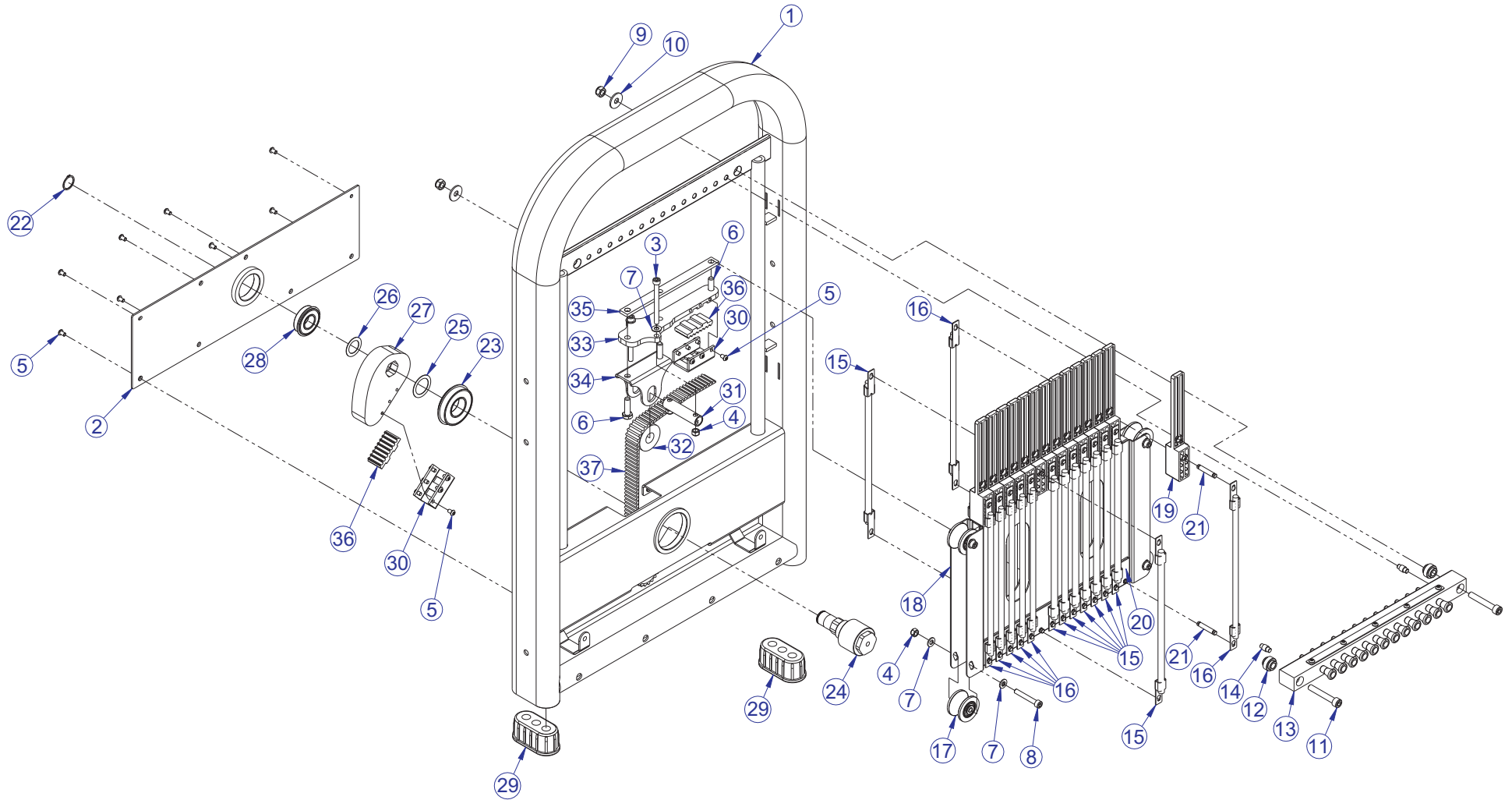
ITEM NO.	QTY.	PART NO.	DESCRIPTION
1	1	80209XX	ASSY, TCLE, HANDLE LEFT
2	1	7662901	CAP, GRIP 1.25 OD
3	2	3247701	M4 X .7 HXS NO CUP ST BO
4	1	3235801	GRIP, 1.25 OD

TCLE LEG EXTENSION FRONT SHROUD ASSEMBLY - 8024705



ITEM NO.	QTY.	PART NO.	DESCRIPTION
1	1	8012601	SHROUD, TC-TOWER, FRONT
2	1	8024601	LABEL, TC, SELECTOR
3	1	7422004	LABEL, 2" ASTM WARN
4	1	8025205	LABEL, INSTR, STRENGTH CIRCUIT, TCLE
5	1	8037701	LABEL, TC, LIFE FITNESS
6	1	8047101	LABEL, TC, SELECTOR, MULTI-LANGUAGE

TCLE LEG EXTENSION TOWER ASSEMBLY - 79854XX

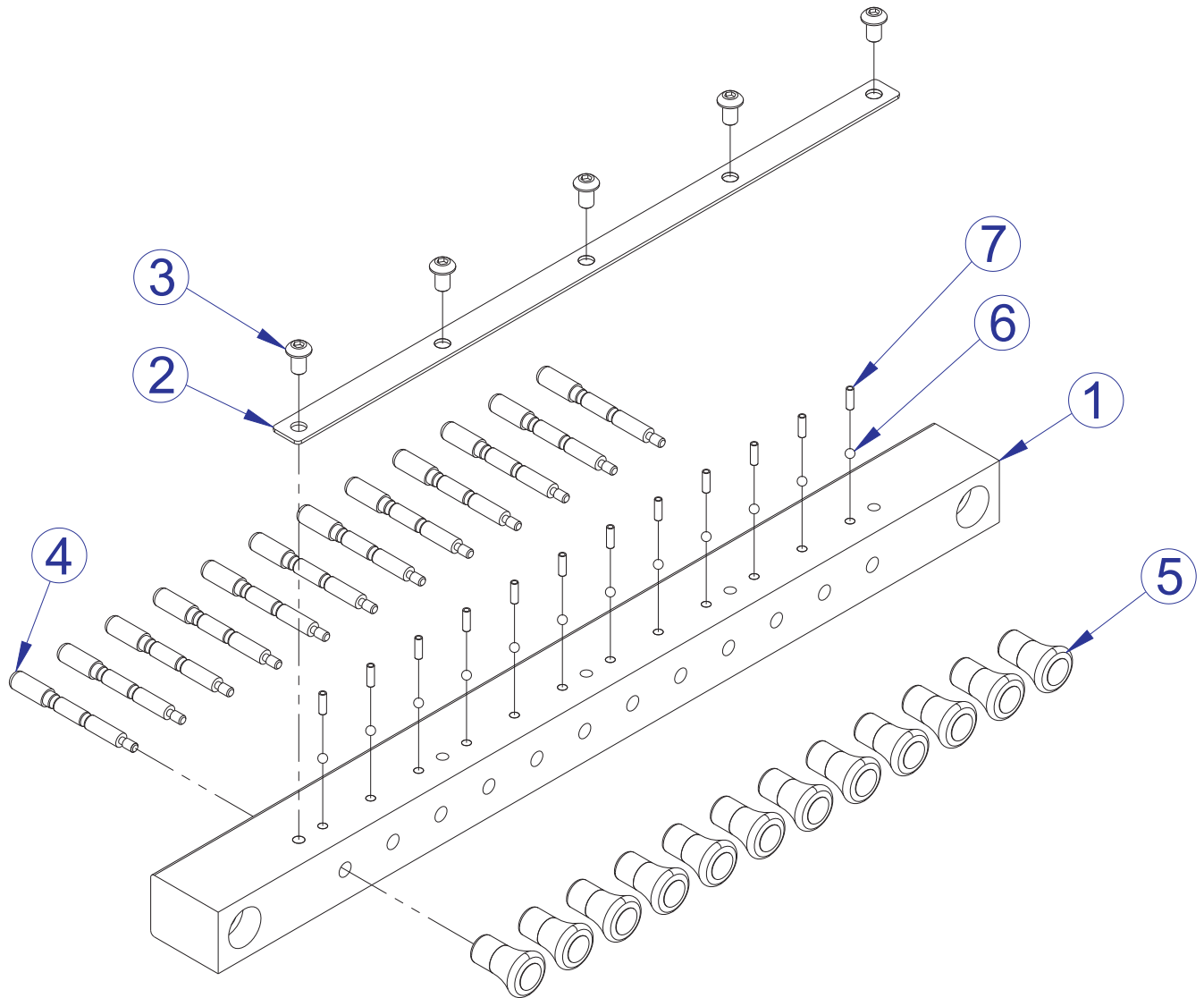


SEE PAGE 15 FOR LEGEND

TCLE LEG EXTENSION TOWER ASSEMBLY LEGEND

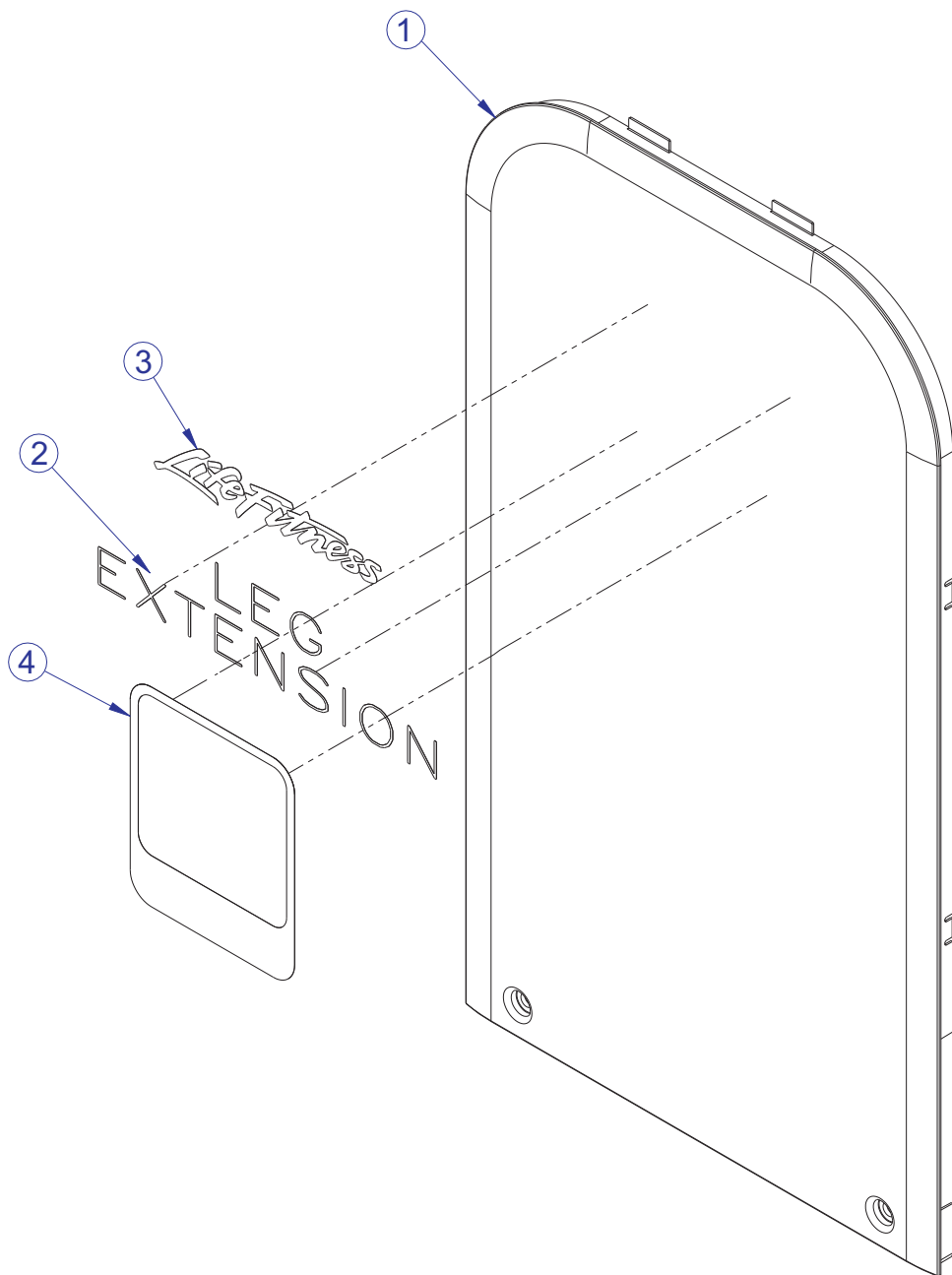
ITEM NO.	QTY.	PART NO.	DESCRIPTION
1	1	79855XX	WLDMT, TC-TOWER, FRAME
2	1	79856XX	WLDMT, TC-TOWER, COVER
3	2	3253915	SCREW, M8 X1.25 90MM
4	6	3242004	NUT, M8 X 1.25 HEX NYLOCK
5	20	3252802	M6-1.0 X 10 HXS BUT CS ST ZN
6	3	3251204	SCREW, M10 X1.5 X 35MM UNS HEX CS ST ZN
7	10	3102509	WASHER, TYPE A PLAIN
8	4	3253908	SCREW, M8 X1.25 55MM
9	2	3242002	NUT, M10 X 1.5 HEX NYLOCK
10	2	3257401	WASHER, FLAT, ST, ZN
11	2	3251710	SCREW, M10 X1.5 65MM
12	2	7996101	SPACER, TC-TOWER, HEADER
13	1	7995801	ASSY, TC-TOWER, HEADER
14	2	8015701	PIN, TC-TOWER, BLOCK FIXED
15	16	8015001	ASSY, CORD, BUNGEE 1/2"
16	12	8014901	ASSY, CORD, BUNGEE 3/8"
17	4	8018401	ASSY, ROLLER
18	1	7985795	WLDMT, TC-TOWER, CARRIAGE
19	14	8013101	SELECT BLOCK, TC-TOWER
20	2	8013301	PLATE, BUNGEE SPACER
21	28	8015601	PIN, TC-TOWER, BUNGEE
22	1	3232420	RING, BRE .926, 5100-98 ST PP B
23	1	3256901	BEARING, 6207NR BALL
24	1	7995701	AXLE, TC-TOWER
25	1	7882701	SHIM, 1.225-1.75-.03
26	1	7882801	SHIM, 1.005-1.50-.03
27	1	8019901	CAM, TC-TOWER
28	1	3257001	BEARING, 6205NR BALL
29	2	8012901	CAP, MFLOV END
30	2	8019201	BRKT, TC-TOWER, BELT
31	1	8019501	SHAFT, TC-TOWER,PULLEY
32	1	8019701	ROLLER, TC-TOWER, BELT
33	1	8019401	PLATE, TC-TOWER, PULLEY MOUNT
34	1	8019301	BRKT, TC-TOWER, PULLEY
35	1	8024301	PLATE, TC-TOWER, SPACER
36	2	8019601	BLOCK, BELT, TC-TOWER
37	1	8026401	BELT, 30MM, KEVLAR

TCLE LEG EXTENSION TOWER HEADER ASSEMBLY - 7995801



ITEM NO.	QTY.	PART NO.	DESCRIPTION
1	1	7995901	BAR, HEADER, FRONT
2	1	7996001	PLATE, SPRING RETAINER
3	5	3262001	M6-1.0 X 10 TORX BUT CS ST ZN
4	12	8020001	PIN, TC-TOWER, SELECTOR
5	12	8013001	KNOB, TC-TOWER, PIN
6	12	3265601	BALL, CHROME ALLOY STEEL X 3.5MM
7	12	3253202	SPRING, .12 DIA X .438 X .018 WIRE DIA

TCLE LEG EXTENSION REAR SHROUD ASSEMBLY - 8024805



ITEM NO.	QTY.	PART NO.	DESCRIPTION
1	1	8012701	SHROUD, TC-TOWER, REAR
2	1	8024905	LABEL, STRENGTH CIRCUIT, TCLE
3	1	8037701	LABEL, TC, LIFE FITNESS
4	1	8038005	LABEL, TCLE, PLACARD REAR

TCLE LEG EXTENSION IMAGE

