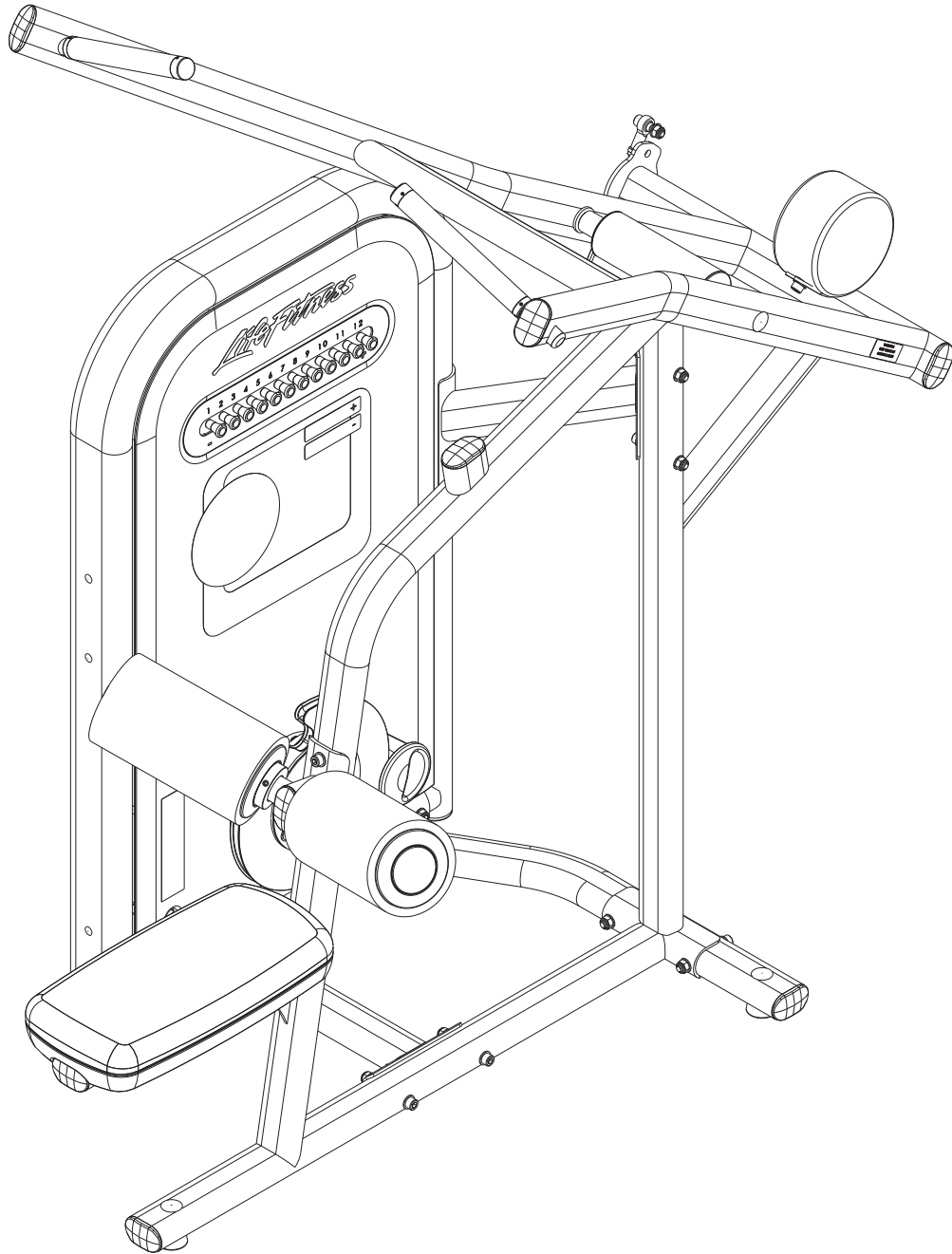




CIRCUIT SERIES
TCPD
LAT PULLDOWN



Customer Support Services
PARTS LIST

TCPD LAT PULLDOWN

Contents

COMPONANT ASSEMBLY	pg.3
COMPONANT ASSEMBLY LEGEND	4
WORKARM ASSEMBLY	5
SEAT FRAME ASSEMBLY	6
PAD MOUNT ASSEMBLY	7
REAR BRACE ASSEMBLY	8
FRONT SHROUD ASSEMBLY	9
TOWER ASSEMBLY	10
TOWER ASSEMBLY LEGEND	11
TOWER HEADER ASSEMBLY	12
REAR SHROUD	13
IMAGE	14

COLOR LEGEND

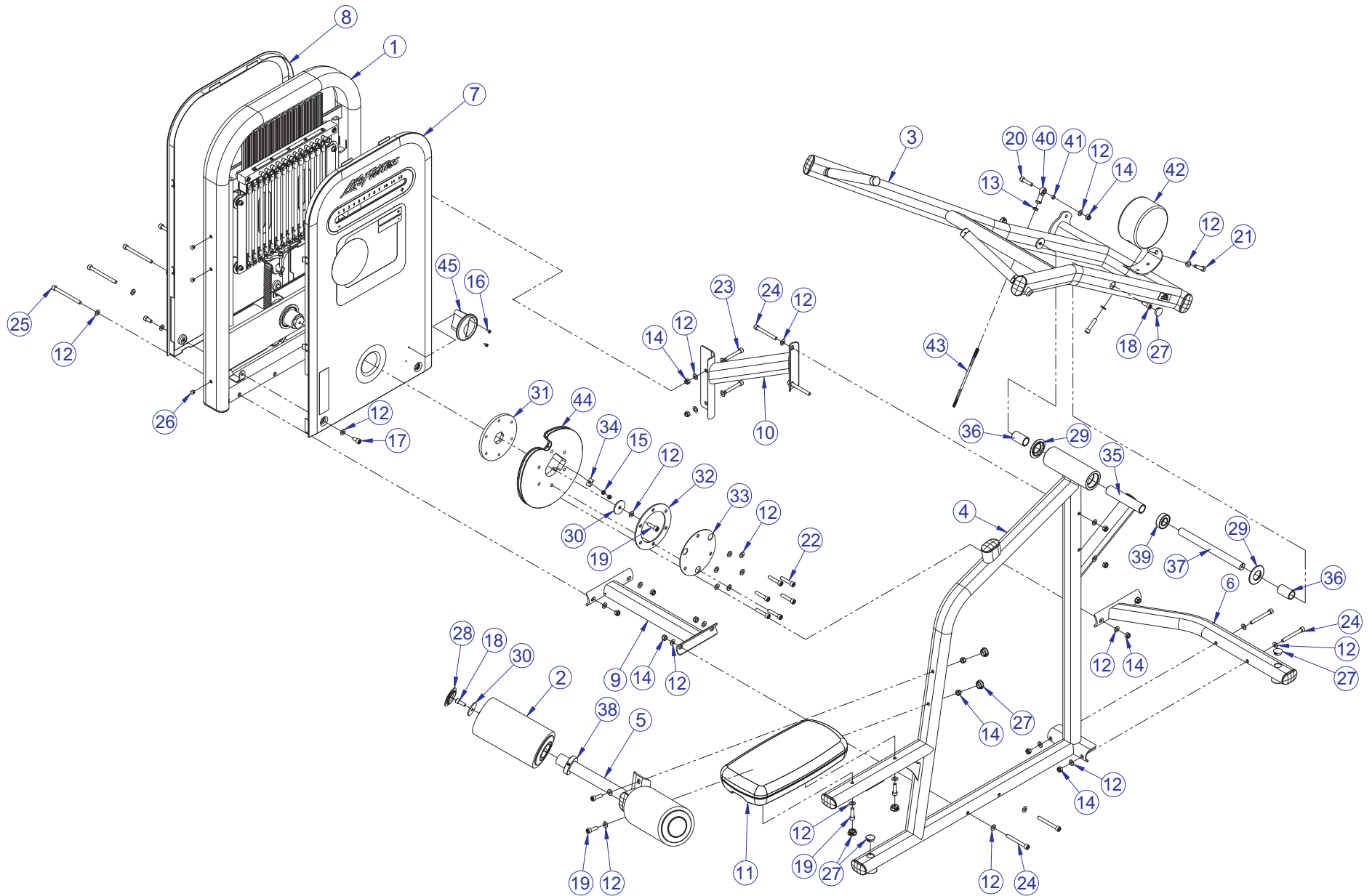
Item numbers ending in 'XX' require paint color.
Replace last two digits from the corresponding code.

01 = White

02 = Platinum

99 = Custom Paint

TCPD LAT PULLDOWN COMPONENT ASSEMBLY

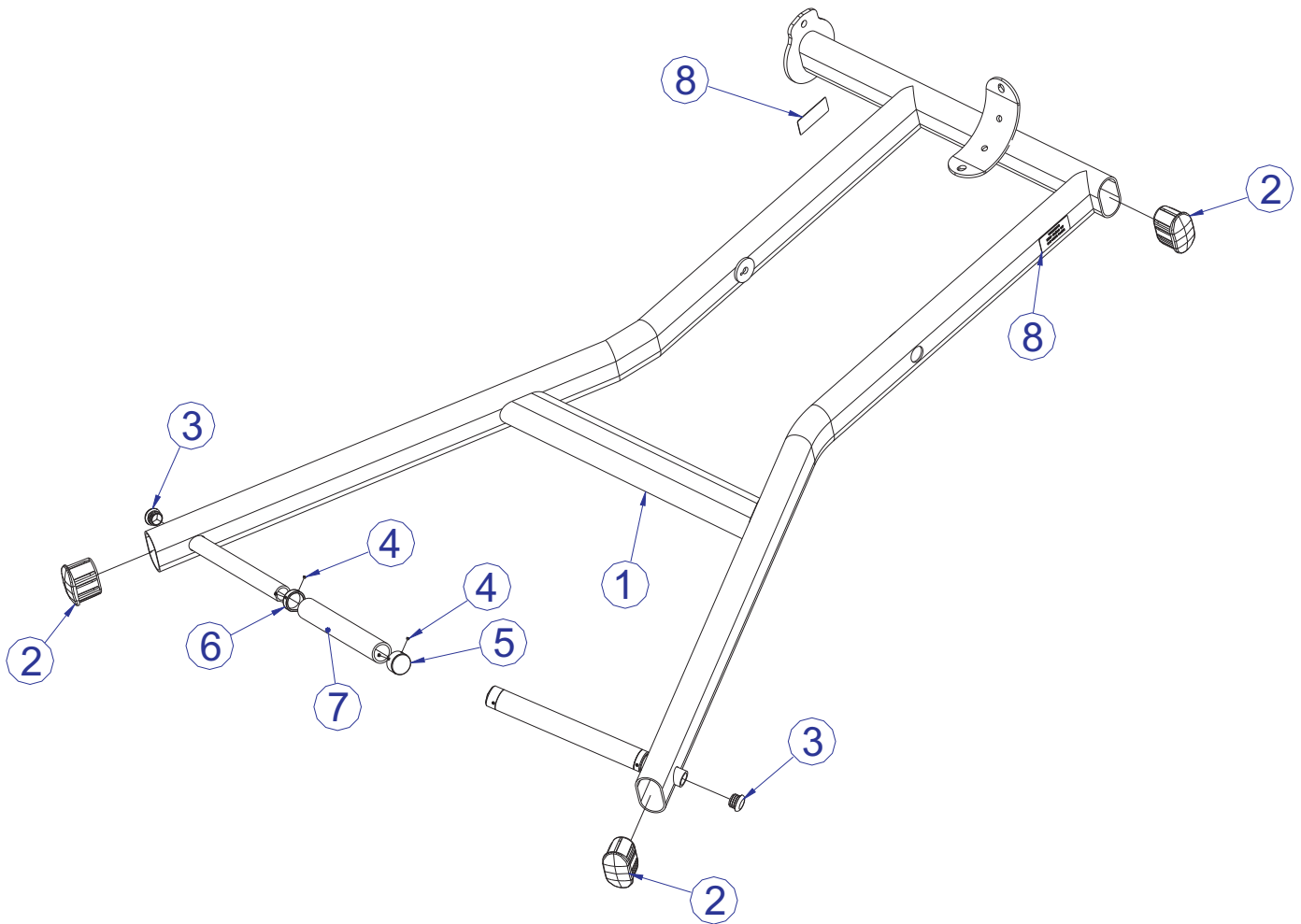


SEE PAGE 4 FOR LEGEND

TCPD LAT PULLDOWN COMPONANT ASSEMBLY LEGEND

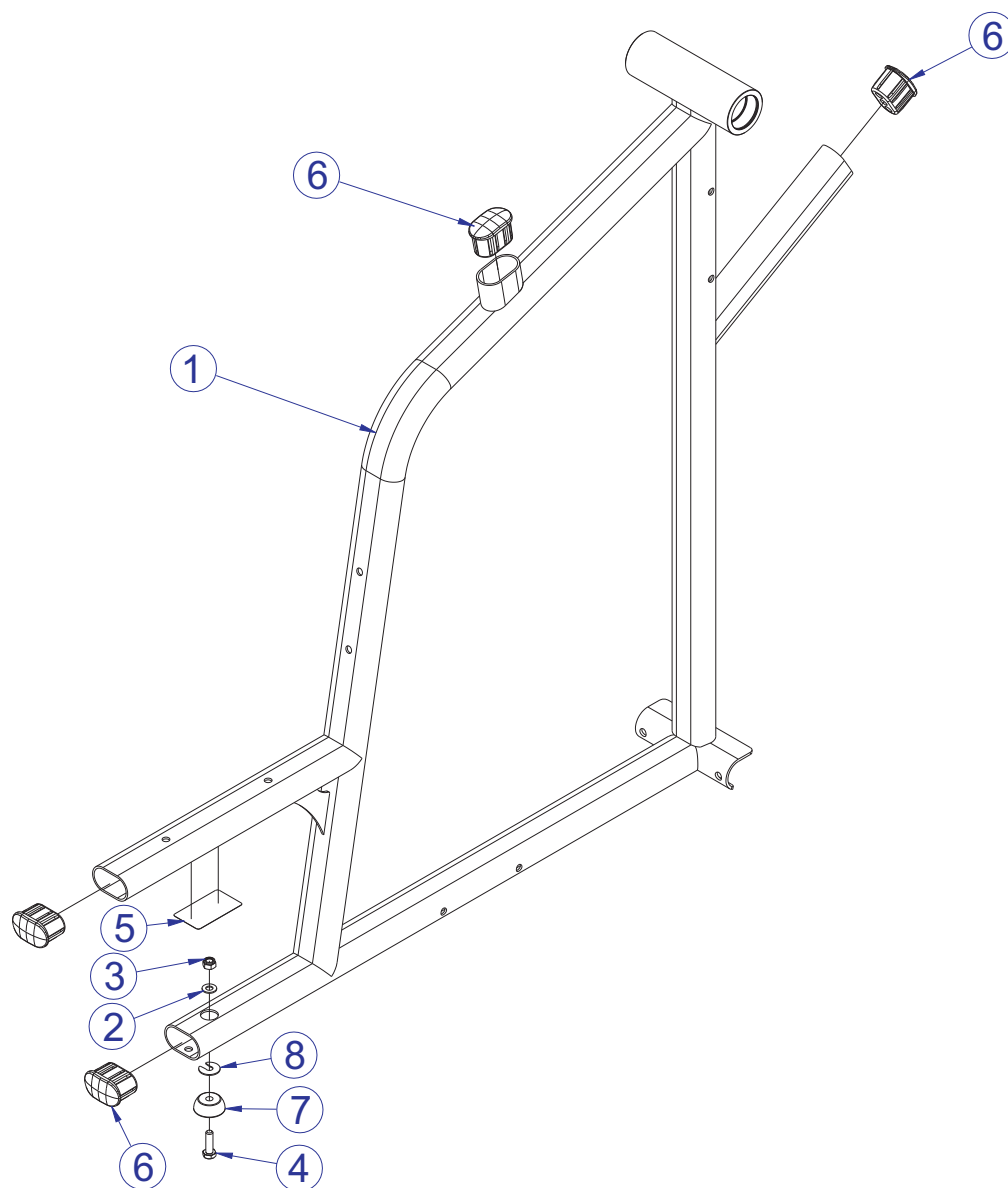
ITEM NO.	QTY.	PART NO.	DESCRIPTION
1	1	79854XX	ASSY, TC-TOWER, FINAL
2	2	7424701	ASSY, ROLLER PAD - SHORT
3	1	80117XX	ASSY, TCPD, WORK ARM
4	1	80118XX	ASSY, TCPD SEAT
5	1	80119XX	ASSY, TCPD ROLLER PADS
6	1	80120XX	ASSY, TCPD REAR BRACE
7	1	8024706	ASSY, TC-TOWER, SHROUD FRONT, TCPD
8	1	8024806	ASSY, TC-TOWER, SHROUD REAR, TCPD
9	1	79818XX	WLDMT, TCPD, BRACE
10	1	79820XX	WLDMT, TCPD, UPPER BRACE
11	1	7468901	PAD 18 X 9 CONVEX
12	42	3102514	WASHER, FLAT 3/8" SAE ST ZN
13	1	3236901	NUT, M10 X 1.5 JAM
14	15	3242002	NUT, M10 X 1.5 HEX NYLOCK
15	2	3247502	NUT, M8 X 1.25 HEX JAM ST ZN
16	2	3239101	SCREW, M5X10 PHL PAN TT ST
17	4	3251701	SCREW, M10 X1.5 20MM
18	4	3251702	SCREW, M10 X1.5 25MM
19	5	3251704	SCREW, M10 X1.5 35MM
20	1	3251705	SCREW, M10 X1.5 40MM
21	2	3251706	SCREW, M10 X1.5 45MM
22	6	3251707	SCREW, M10 X1.5 50MM
23	2	3251711	SCREW, M10 X1.5 70MM
24	6	3251715	SCREW, M10 X1.5 90MM
25	4	3251719	SCREW, M10 X1.5 120MM
26	3	3237401	PLUG, 7/16" HOLE
27	8	3237403	PLUG, 1" HOLE
28	2	7308701	CAP, BEARING HOUSING
29	2	7922701	CAP, BEARING HSNG W/ HOLE
30	3	7322301	PLATE, 1.97 OD X .44 ID 10GA
31	1	7998401	PLATE, TC TOWER, OUTPUT
32	1	7998801	PLATE, TC-TOWER, RING
33	1	7998995	PLATE, TC-TOWER, COVER
34	1	8001801	PLATE,TC, CABLE RETAIN.
35	1	7330005	SPACER, INTERNAL X 6.265
36	2	7330009	SPACER, INTERNAL X 2.121
37	1	7316507	SHAFT, 25MM X 11.631
38	2	7357901	SHAFT COLLAR, 1-1/2" ID ALUM
39	2	3235601	BEARING, 6205 BALL
40	1	3237901	ROD END, METRIC FEMALE
41	1	7489402	BSHNG, .500 OD X .402 ID
42	1	7802001	COUNTER WEIGHT, LARGE - COATED
43	1	7984201	CABLE, TCPD
44	1	7998501	CAM, TC, OUTPUT
45	1	8013201	GUARD, TC-TOWER, CAM

TCPD LAT PULLDOWN WORKARM ASSEMBLY - 80117XX



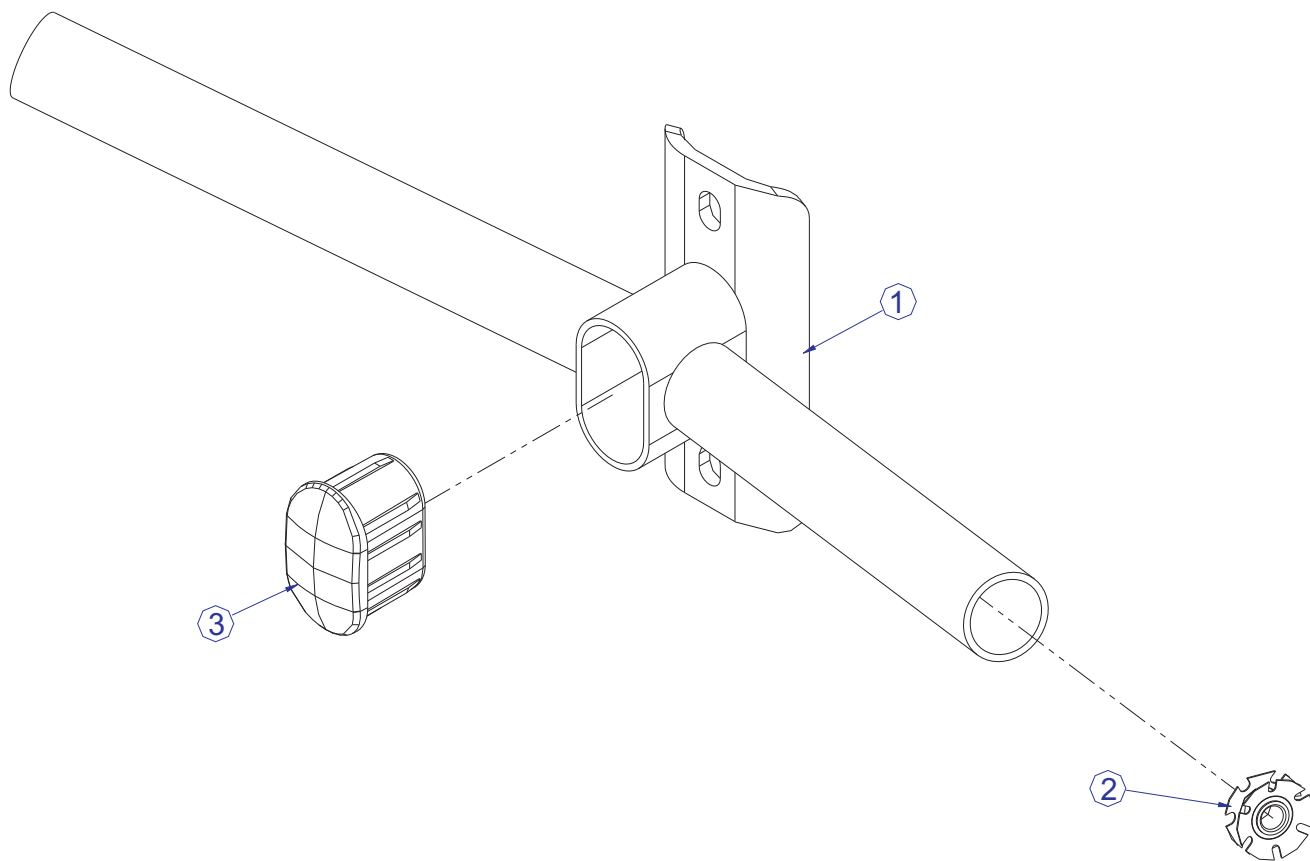
ITEM NO.	QTY.	PART NO.	DESCRIPTION
1	1	80117XX	ASSY, TCPD, WORKARM
2	3	7800501	CAP, SML FLOV END
3	2	3119304	CAP, END 1.00 DIA RD 10-12 GA
4	8	3247701	M4 X .7 HXS NO CUP ST BO
5	2	7662901	CAP, GRIP 1.25 OD
6	2	7662801	RING, GRIP 1.25 OD
7	2	3235801	GRIP, 1.25 OD
8	2	8031701	LABEL, WARNING, 2.43 X 1.06

TCPD LAT PULLDOWN SEAT FRAME ASSEMBLY - 80118XX



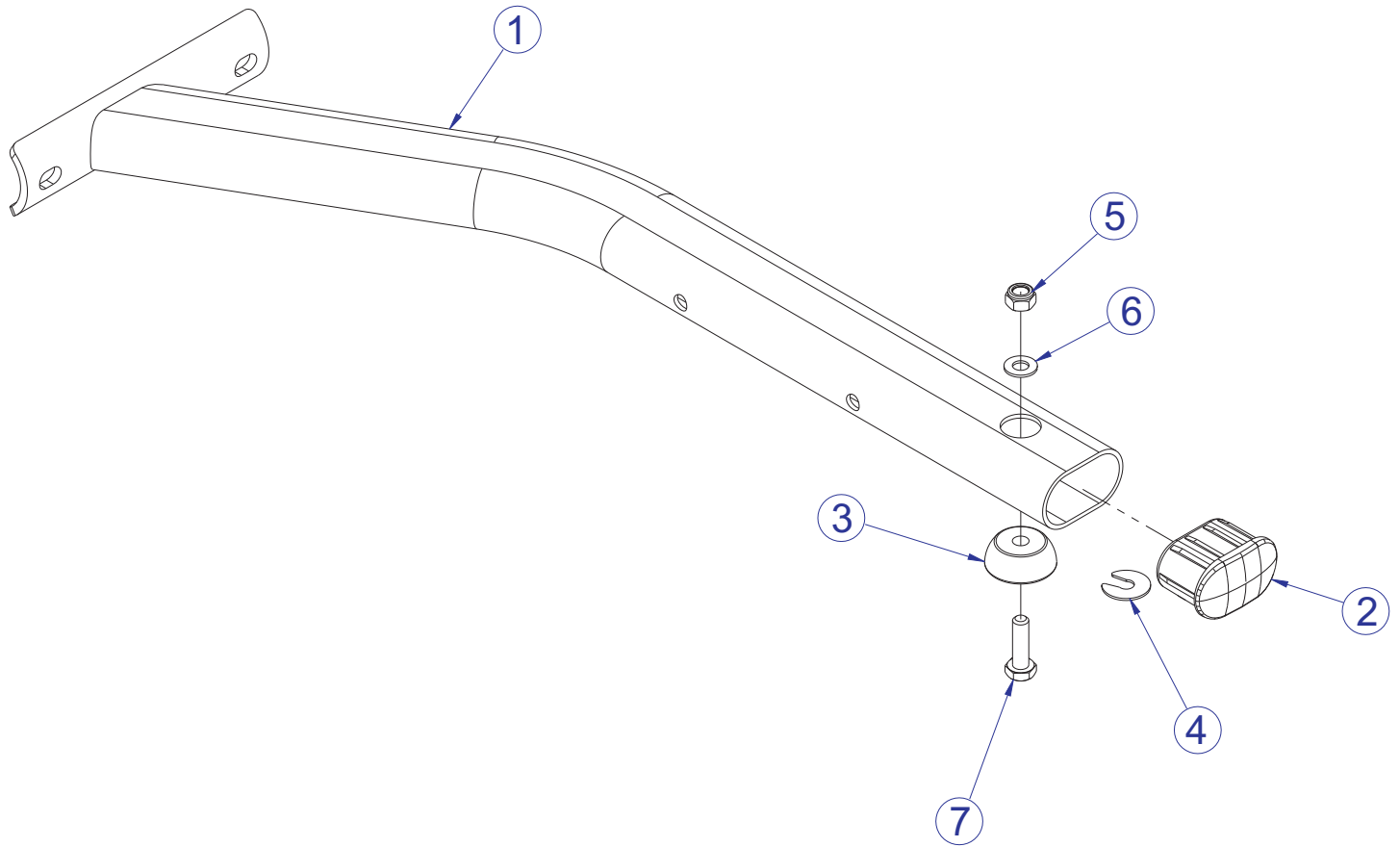
ITEM NO.	QTY.	PART NO.	DESCRIPTION
1	1	80118XX	ASSY, TCPD, SEAT
2	1	3102514	WASHER, FLAT 3/8" SAE ST ZN
3	1	3242002	NUT, M10 X 1.5 HEX NYLOCK
4	1	3251204	SCREW, M10 X1.5 X 35MM UNS HEX CS ST ZN
5	1	7571301	LABEL, SERIAL NUMBER
6	4	7800501	CAP, SML FLOV END
7	1	7893001	FOOT, LEVELER
8	1	7893101	SHIM, FOOT LEVELER

TCPD LAT PULLDOWN PAD MOUNT ASSEMBLY- 80119XX



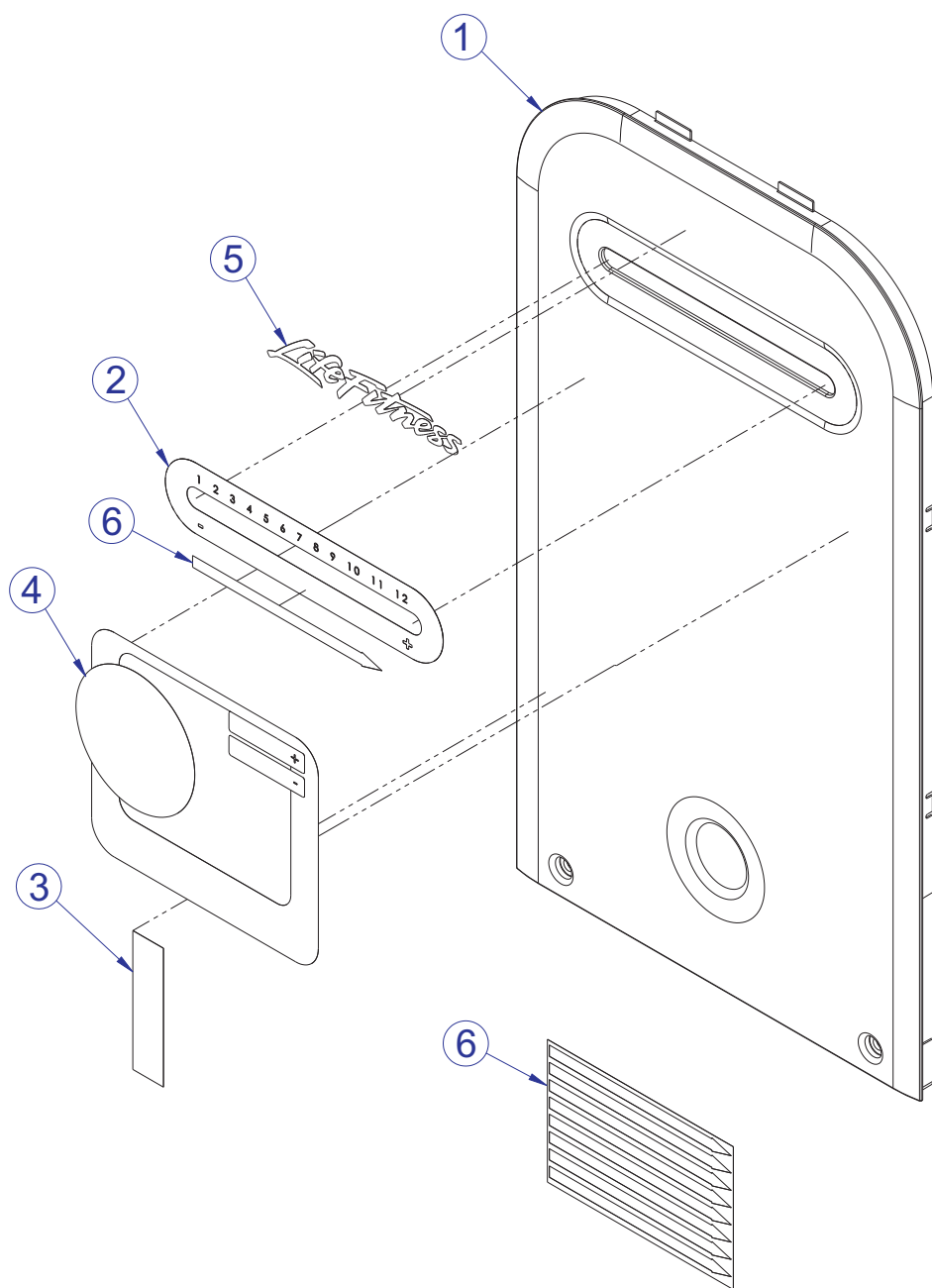
ITEM NO.	QTY.	PART NO.	DESCRIPTION
1	1	80119XX	ASSY, TCPD, ROLLER PAD
2	2	7347301	NUT, SPIDER M10 X 1.5
3	1	7800501	CAP, SML FLOV END

TCPD LAT PULLDOWN REAR BRACE ASSEMBLY - 80120XX



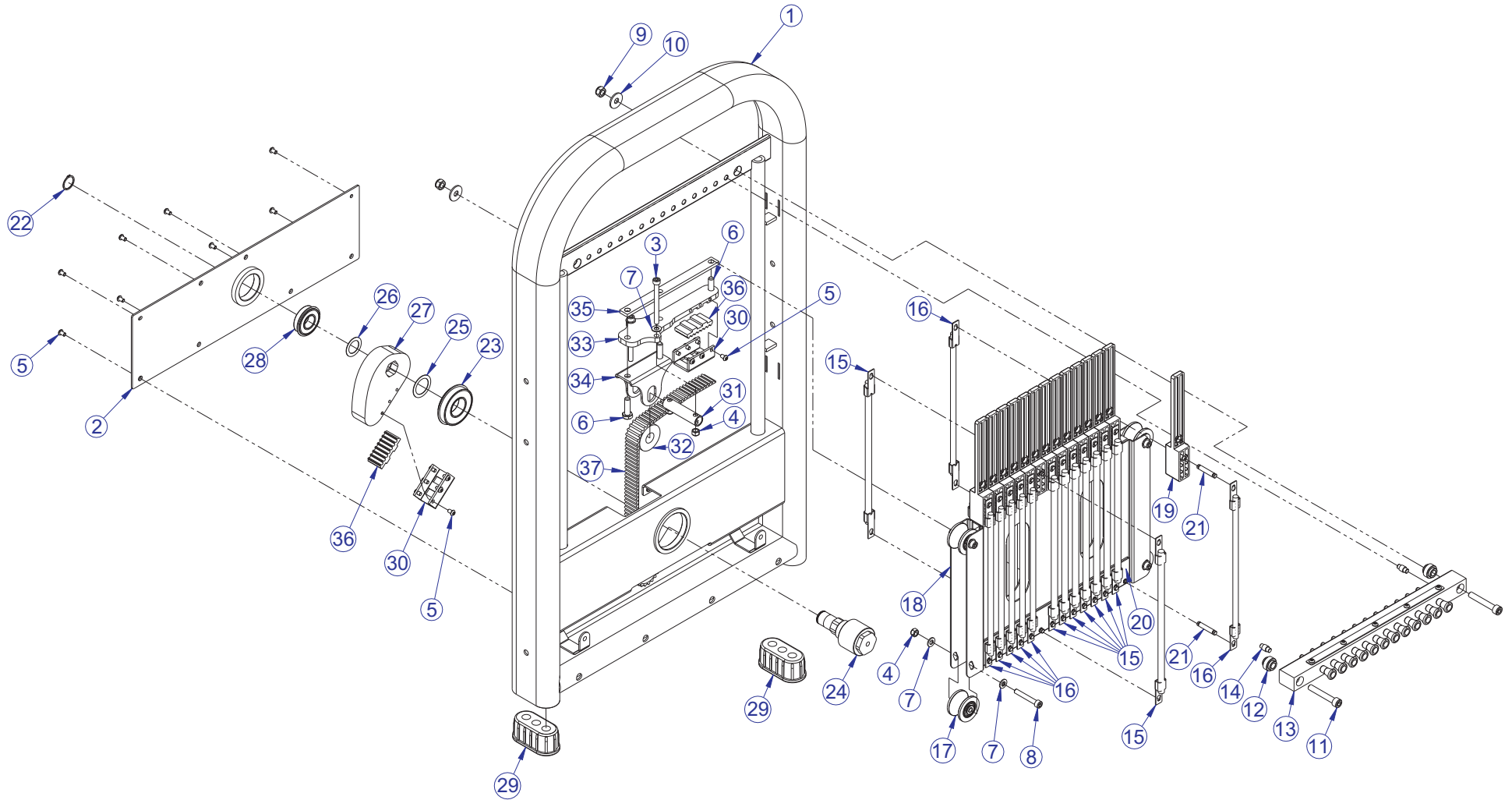
ITEM NO.	QTY.	PART NO.	DESCRIPTION
1	1	80120XX	ASSY, TCPD, REAR BRACE
2	1	7800501	CAP, SML FLOV END
3	1	7893001	FOOT, LEVELER
4	1	7893101	SHIM, FOOT LEVELER
5	1	3242002	NUT, M10 X 1.5 HEX NYLOCK
6	1	3102514	WASHER, FLAT 3/8" SAE ST ZN
7	1	3251204	SCREW, M10 X1.5 X 35MM UNS HEX CS ST ZN

TCPD LAT PULLDOWN FRONT SHROUD ASSEMBLY - 8024706



ITEM NO.	QTY.	PART NO.	DESCRIPTION
1	1	8012601	SHROUD, TC-TOWER, FRONT
2	1	8024601	LABEL, TC, SELECTOR
3	1	7422004	LABEL, 2" ASTM WARN
4	1	8025206	LABEL, INSTR, STRENGTH CIRCUIT, TCPD
5	1	8037701	LABEL, TC, LIFE FITNESS
6	1	8047101	LABEL, TC, SELECTOR, MULTI-LANGUAGE

TCPD LAT PULLDOWN TOWER ASSEMBLY - 79854XX

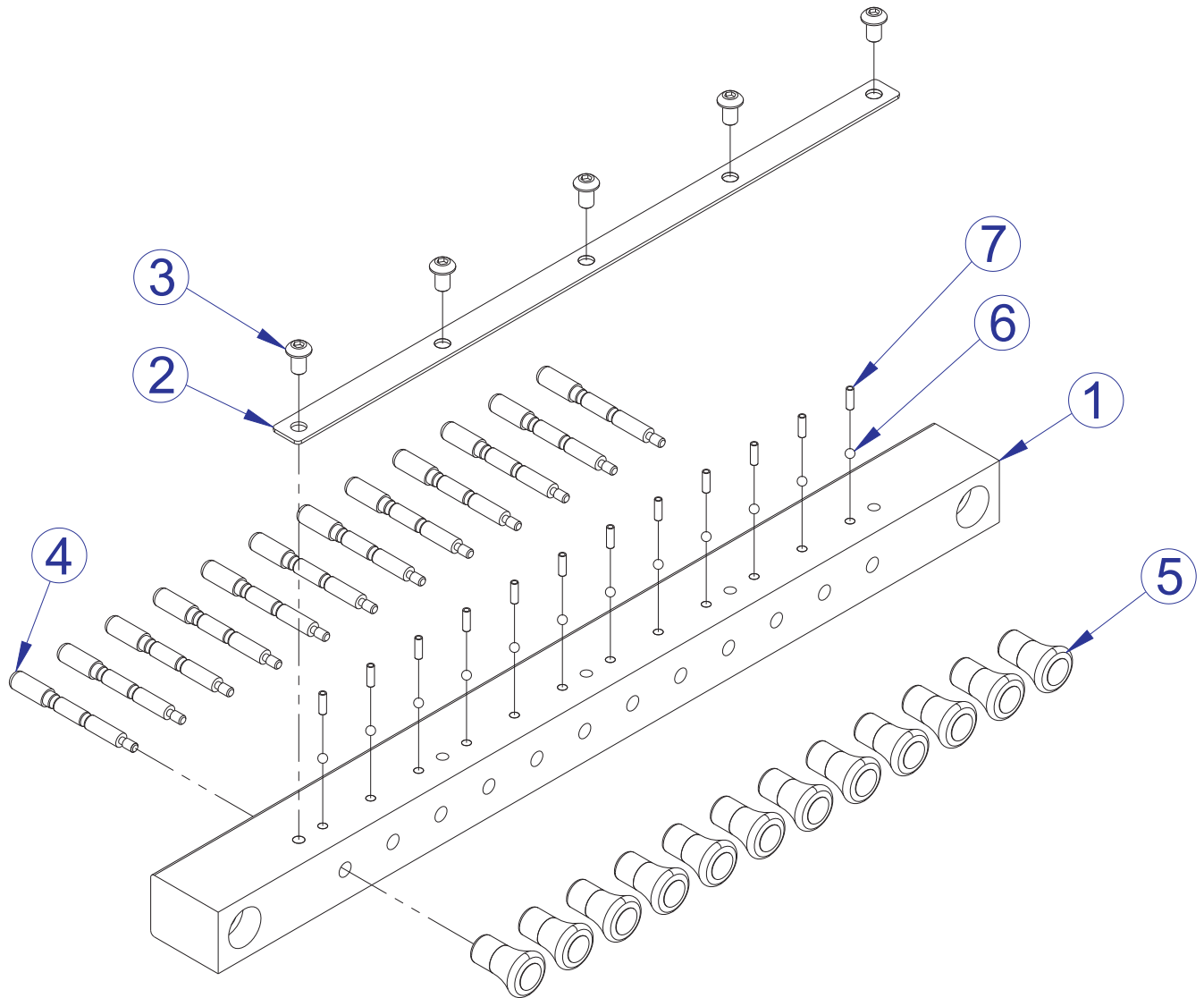


SEE PAGE 11 FOR LEGEND

TCPD LAT PULLDOWN TOWER ASSEMBLY LEGEND

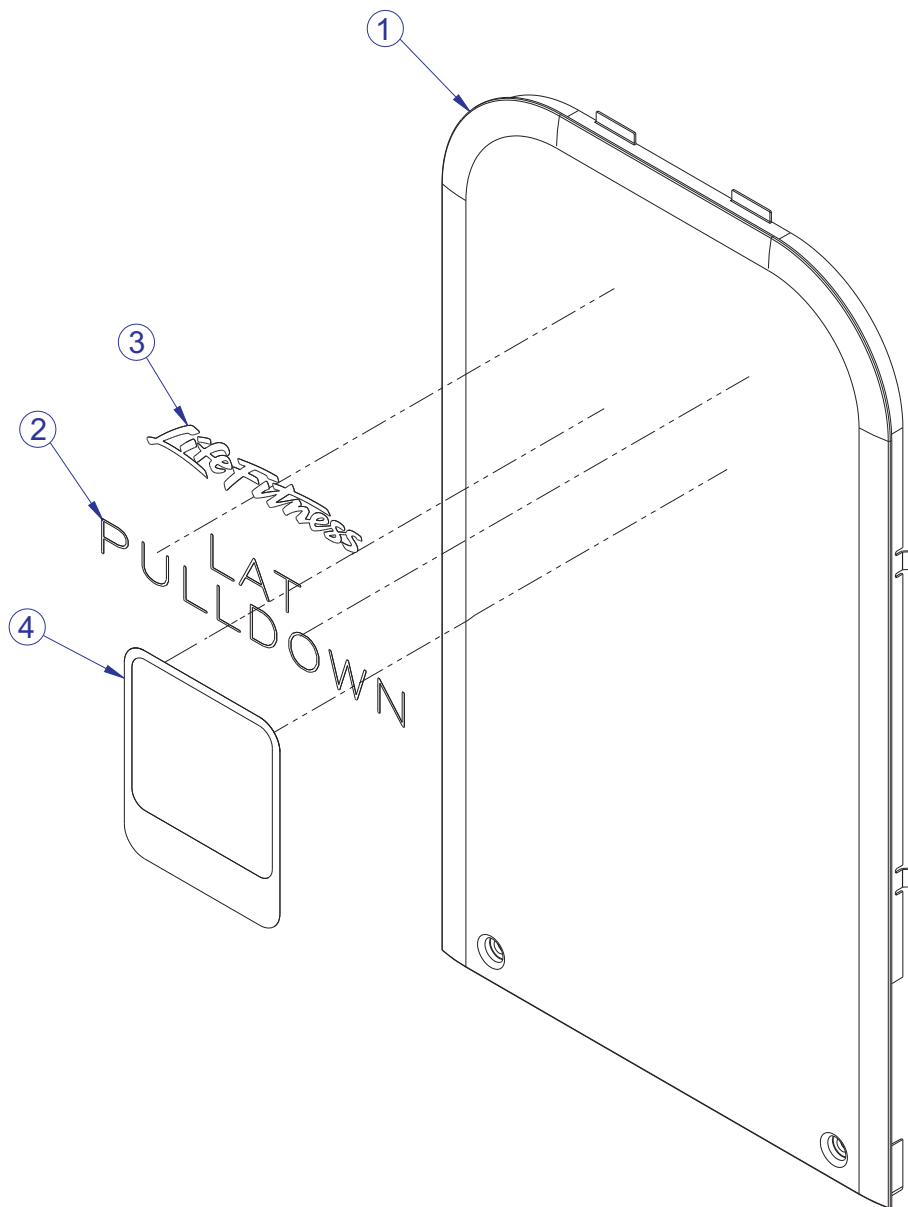
ITEM NO.	QTY.	PART NO.	DESCRIPTION
1	1	79855XX	WLDMT, TC-TOWER, FRAME
2	1	79856XX	WLDMT, TC-TOWER, COVER
3	2	3253915	SCREW, M8 X1.25 90MM
4	6	3242004	NUT, M8 X 1.25 HEX NYLOCK
5	20	3252802	M6-1.0 X 10 HXS BUT CS ST ZN
6	3	3251204	SCREW, M10 X1.5 X 35MM UNS HEX CS ST ZN
7	10	3102509	WASHER, TYPE A PLAIN
8	4	3253908	SCREW, M8 X1.25 55MM
9	2	3242002	NUT, M10 X 1.5 HEX NYLOCK
10	2	3257401	WASHER, FLAT, ST, ZN
11	2	3251710	SCREW, M10 X1.5 65MM
12	2	7996101	SPACER, TC-TOWER, HEADER
13	1	7995801	ASSY, TC-TOWER, HEADER
14	2	8015701	PIN, TC-TOWER, BLOCK FIXED
15	16	8015001	ASSY, CORD, BUNGEE 1/2"
16	12	8014901	ASSY, CORD, BUNGEE 3/8"
17	4	8018401	ASSY, ROLLER
18	1	7985795	WLDMT, TC-TOWER, CARRIAGE
19	14	8013101	SELECT BLOCK, TC-TOWER
20	2	8013301	PLATE, BUNGEE SPACER
21	28	8015601	PIN, TC-TOWER, BUNGEE
22	1	3232420	RING, BRE .926, 5100-98 ST PP B
23	1	3256901	BEARING, 6207NR BALL
24	1	7995701	AXLE, TC-TOWER
25	1	7882701	SHIM, 1.225-1.75-.03
26	1	7882801	SHIM, 1.005-1.50-.03
27	1	8019901	CAM, TC-TOWER
28	1	3257001	BEARING, 6205NR BALL
29	2	8012901	CAP, MFLOV END
30	2	8019201	BRKT, TC-TOWER, BELT
31	1	8019501	SHAFT, TC-TOWER,PULLEY
32	1	8019701	ROLLER, TC-TOWER, BELT
33	1	8019401	PLATE, TC-TOWER, PULLEY MOUNT
34	1	8019301	BRKT, TC-TOWER, PULLEY
35	1	8024301	PLATE, TC-TOWER, SPACER
36	2	8019601	BLOCK, BELT, TC-TOWER
37	1	8026401	BELT, 30MM, KEVLAR

TCPD LAT PULLDOWN TOWER HEADER ASSEMBLY - 7995801



ITEM NO.	QTY.	PART NO.	DESCRIPTION
1	1	7995901	BAR, HEADER, FRONT
2	1	7996001	PLATE, SPRING RETAINER
3	5	3262001	M6-1.0 X 10 TORX BUT CS ST ZN
4	12	8020001	PIN, TC-TOWER, SELECTOR
5	12	8013001	KNOB, TC-TOWER, PIN
6	12	3265601	BALL, CHROME ALLOY STEEL X 3.5MM
7	12	3253202	SPRING, .12 DIA X .438 X .018 WIRE DIA

TCPD LAT PULLDOWN REAR SHROUD ASSEMBLY - 8024806



ITEM NO.	QTY.	PART NO.	DESCRIPTION
1	1	8012701	SHROUD, TC-TOWER, REAR
2	1	8024906	LABEL, STRENGTH CIRCUIT, TCPD
3	1	8037701	LABEL, TC, LIFE FITNESS
4	1	8038006	LABEL, TCPD, PLACARD REAR

TCPD LAT PULLDOWN IMAGE

