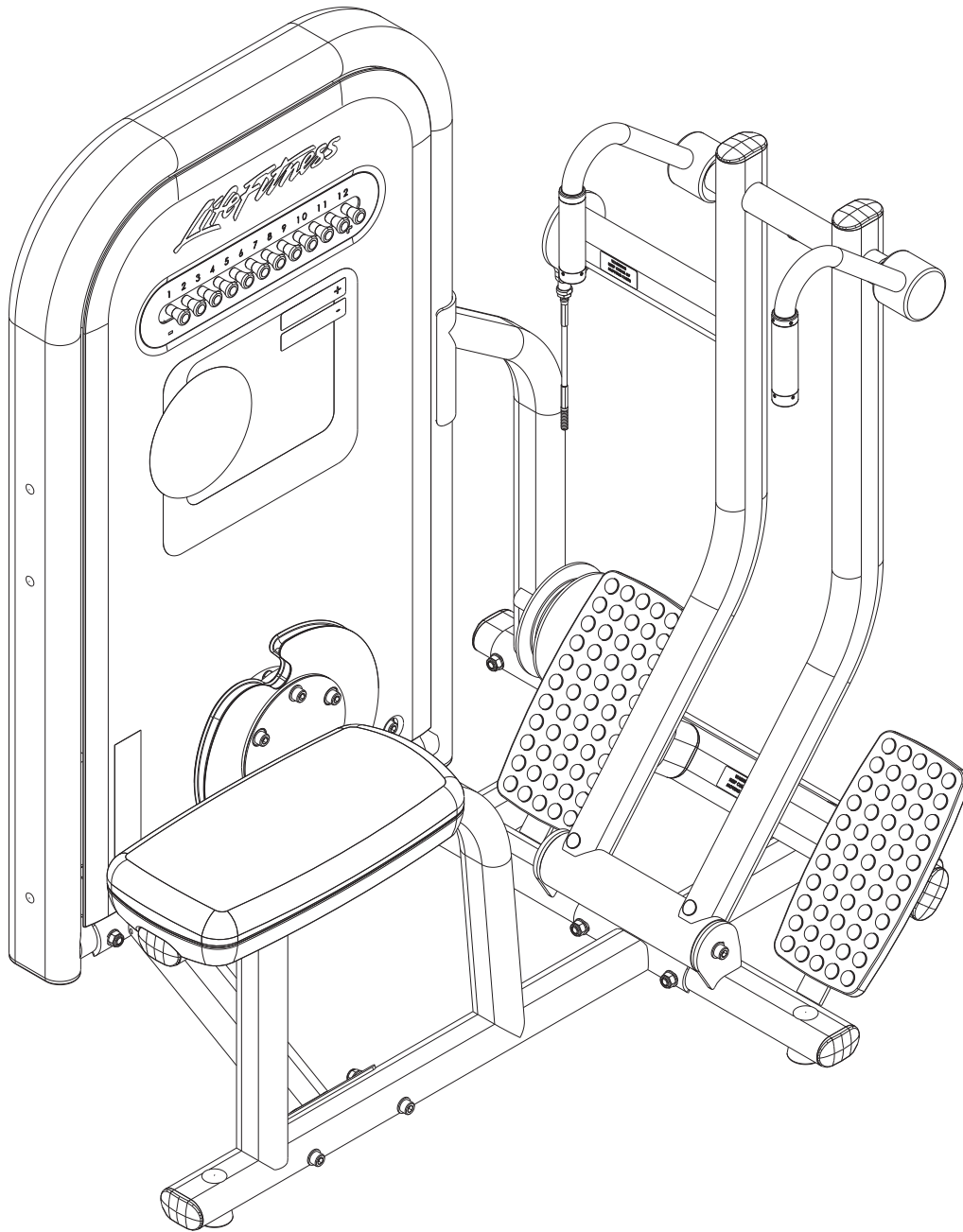




CIRCUIT SERIES  
TCRW  
SEATED ROW



Customer Support Services  
**PARTS LIST**

# TCRW SEATED ROW

## Contents

---

COMPONANT ASSEMBLY	pg.3
COMPONANT ASSEMBLY LEGEND	4
CENTER ASSEMBLY	5
SEAT FRAME ASSEMBLY	6
WORKARM ASSEMBLY	7
LEFT HANDLE ASSEMBLY	8
RIGHT HANDLE ASSEMBLY	9
FRONT SHROUD ASSEMBLY	10
TOWER ASSEMBLY	11
TOWER ASSEMBLY LEGEND	12
TOWER HEADER ASSEMBLY	13
REAR SHROUD	14
IMAGE	15

### COLOR LEGEND

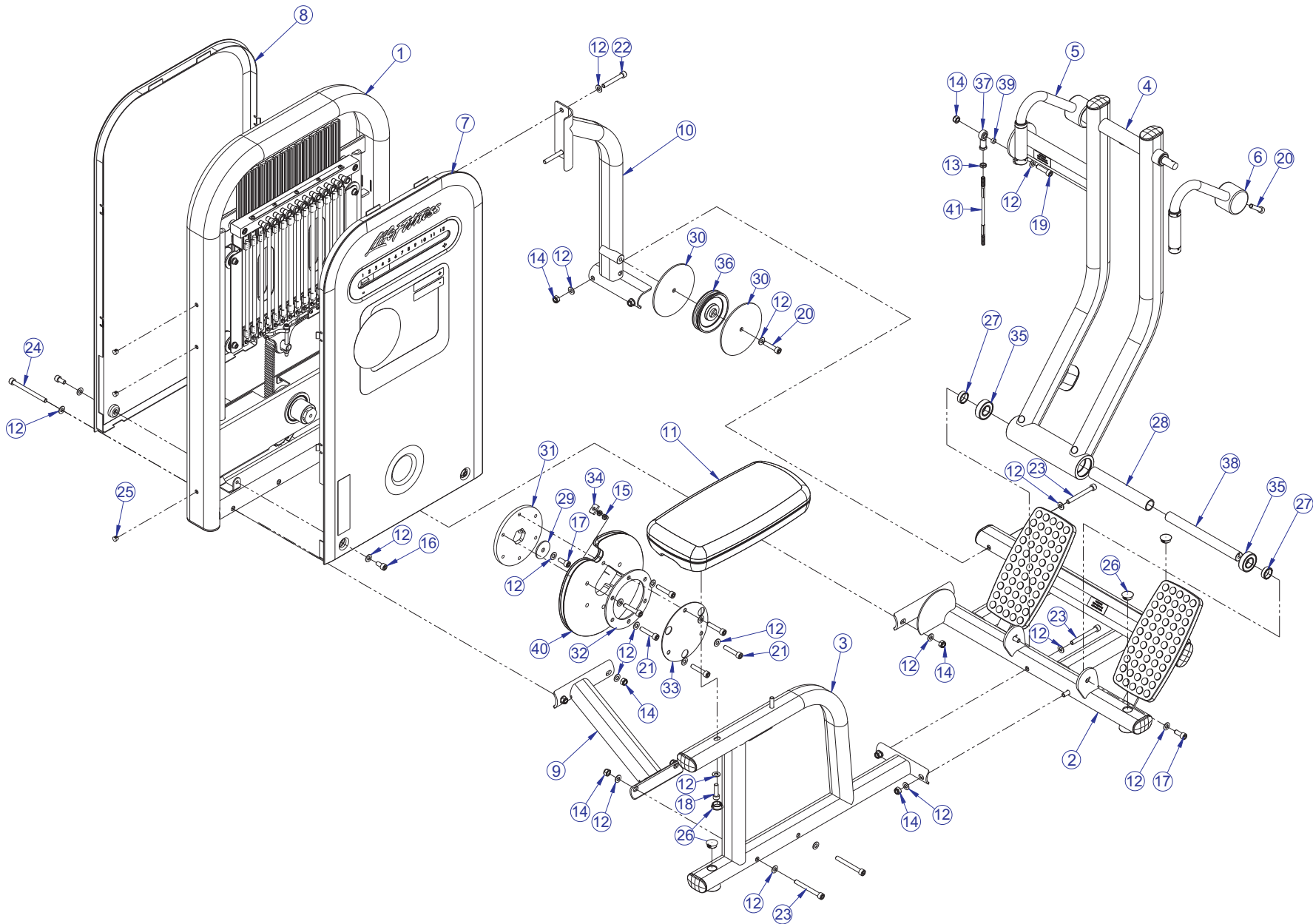
Item numbers ending in 'XX' require paint color.  
Replace last two digits from the corresponding code.

01 = White

02 = Platinum

99 = Custom Paint

# TCRW SEATED ROW COMPONENT ASSEMBLY

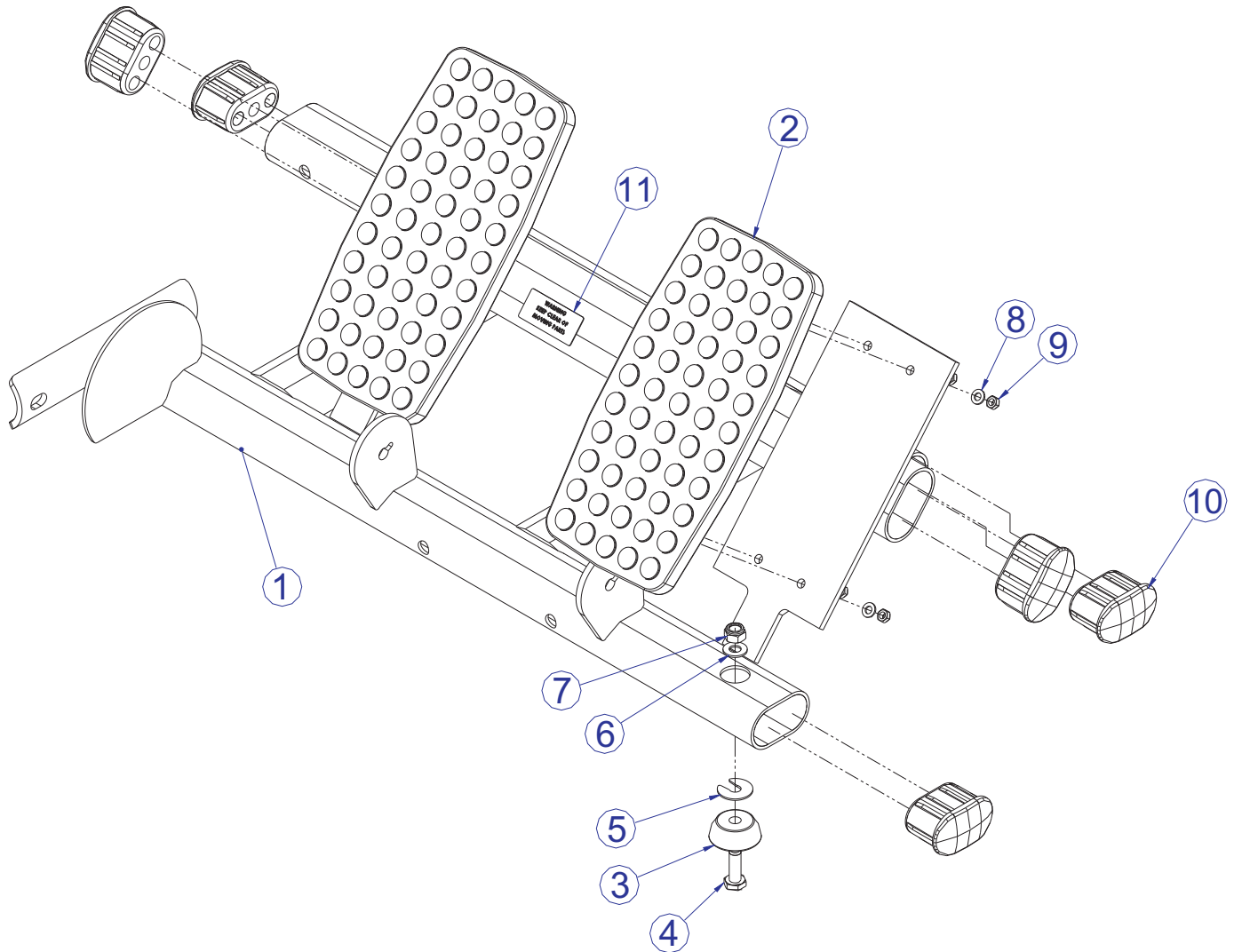


SEE PAGE 4 FOR LEGEND

# TCRW SEATED ROW COMPONANT ASSEMBLY LEGEND

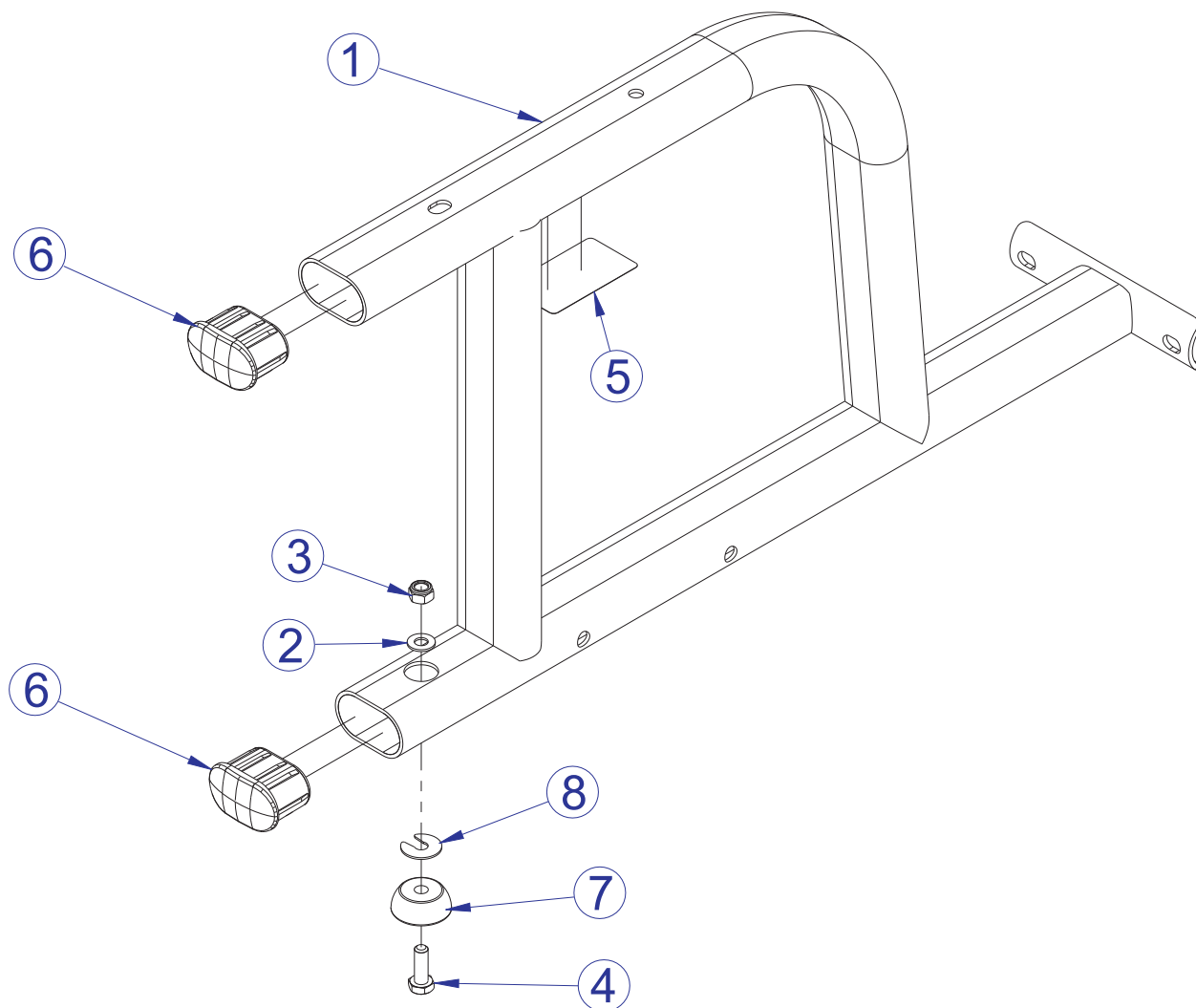
ITEM NO.	QTY.	PART NO.	DESCRIPTION
1	1	79854XX	ASSY, TC-TOWER, FINAL
2	1	80187XX	ASSY,TCRW, CENTER SECTION
3	1	80188XX	ASSY,TCRW, SEAT FRAME
4	1	80189XX	ASSY,TCRW, ARM
5	1	80190XX	ASSY,TCRW, LEFT HANDLE
6	1	80191XX	ASSY,TCRW, RIGHT HANDLE
7	1	8024707	ASSY, TC-TOWER, SHROUD FRONT, TCRW
8	1	8024807	ASSY, TC-TOWER, SHROUD REAR, TCRW
9	1	80004XX	WLDMT, TCRW, BOTTOM BRACE
10	1	80385XX	WLDMT, TCRW, TOWER SPRT
11	1	74689XX	PAD 18 X 9 CONVEX
12	41	3102514	WASHER, FLAT 3/8" SAE ST ZN
13	1	3236901	NUT, M10 X 1.5 JAM
14	13	3242002	NUT, M10 X 1.5 HEX NYLOCK
15	2	3247502	NUT, M8 X 1.25 HEX JAM ST ZN
16	4	3251701	SCREW, M10 X1.5 20MM
17	3	3251702	SCREW, M10 X1.5 25MM
18	2	3251704	SCREW, M10 X1.5 35MM
19	1	3251705	SCREW, M10 X1.5 40MM
20	3	3251706	SCREW, M10 X1.5 45MM
21	6	3251707	SCREW, M10 X1.5 50MM
22	2	3251711	SCREW, M10 X1.5 70MM
23	6	3251715	SCREW, M10 X1.5 90MM
24	4	3251719	SCREW, M10 X1.5 120MM
25	3	3237401	PLUG, 7/16" HOLE
26	6	3237403	PLUG, 1" HOLE
27	2	7330001	SPACER, INTERNAL X .403
28	1	7330008	SPACER, INTERNAL X 8.364
29	1	7322301	PLATE, 1.97 OD X .44 ID 10GA
30	2	79794XX	PLATE, PULLEY GUARD
31	1	7998495	PLATE, TC TOWER, OUTPUT
32	1	7998895	PLATE, TC-TOWER, RING
33	1	7998995	PLATE, TC-TOWER, COVER
34	1	8001801	PLATE,TC, CABLE RETAIN.
35	2	3235601	BEARING, 6205 BALL
36	1	3237801	PULLEY, 4.5" OD
37	1	3237901	ROD END, METRIC FEMALE
38	1	7316506	SHAFT, 25MM X 10.331
39	1	7489402	BSHNG, .500 OD X .402 ID
40	1	7998501	CAM, TC, OUTPUT
41	1	7999601	CABLE, TCRW

# TCRW SEATED ROW CENTER ASSEMBLY - 80187XX



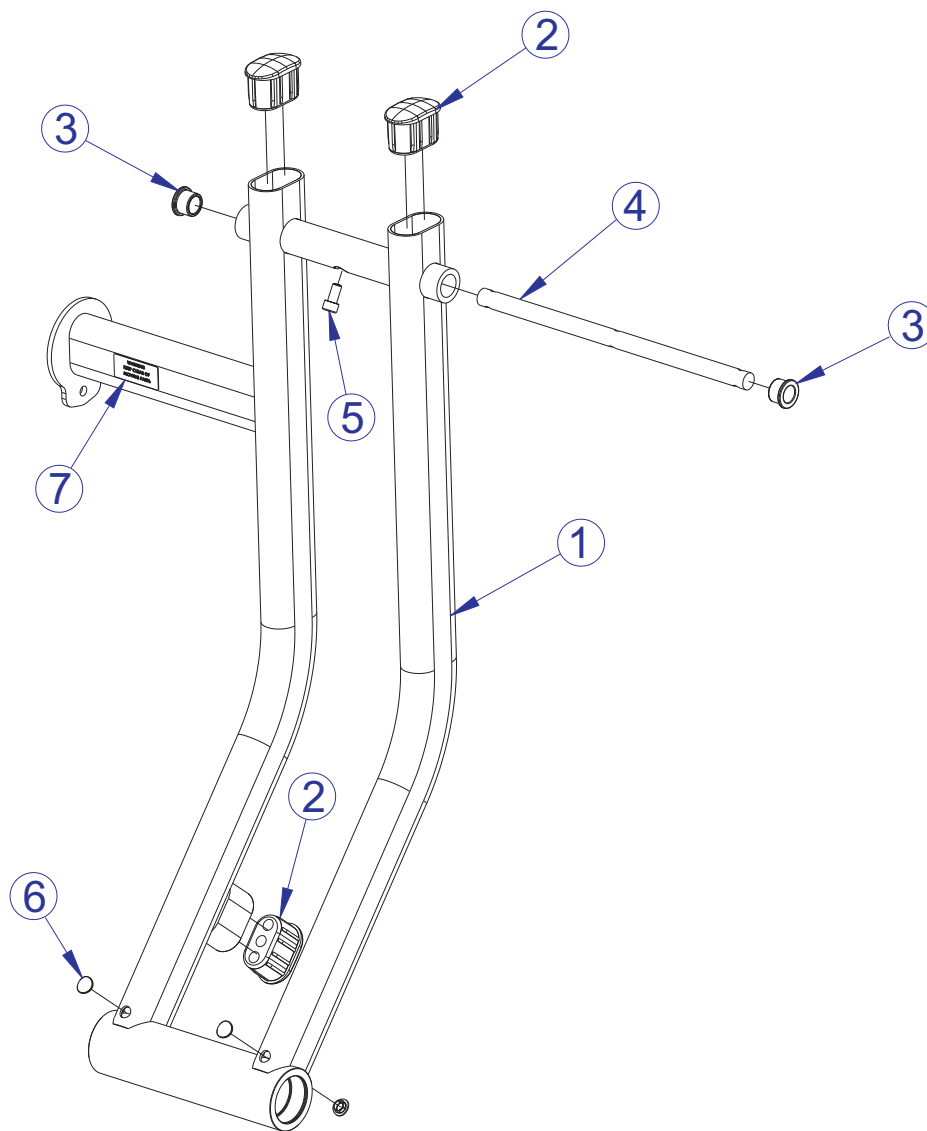
ITEM NO.	QTY.	PART NO.	DESCRIPTION
1	1	80187XX	ASSY, TCRW, CENTER SECTION
2	2	7640301	FOOT PAD, CM/MJ, OVERMOLD
3	3	7893001	FOOT, LEVELER
4	3	3251203	SCREW, M10 X1.5 X 30MM UNS HEX CS ST ZN
5	3	7893101	SHIM, FOOT LEVELER
6	3	3102514	WASHER, FLAT 3/8" SAE ST ZN
7	3	3242002	NUT, M10 X 1.5 HEX NYLOCK
8	8	3241801	WASHER, FLAT 6MM SS
9	8	3236802	NUT, M6 HEX NYLOCK SS
10	5	7800501	CAP, SML FLOV END
11	1	8031701	LABEL, WARNING, 2.43 X 1.06

# TCRW SEATED ROW SEAT FRAME ASSEMBLY - 80188XX



ITEM NO.	QTY.	PART NO.	DESCRIPTION
1	1	80188XX	ASSY, TCRW, SEAT FRAME
2	1	3102514	WASHER, FLAT 3/8" SAE ST ZN
3	1	3242002	NUT, M10 X 1.5 HEX NYLOCK
4	1	3251203	SCREW, M10 X1.5 X 30MM UNS HEX CS ST ZN
5	1	7571301	LABEL, SERIAL NUMBER
6	2	7800501	CAP, SML FLOV END
7	1	7893001	FOOT, LEVELER
8	1	7893101	SHIM, FOOT LEVELER

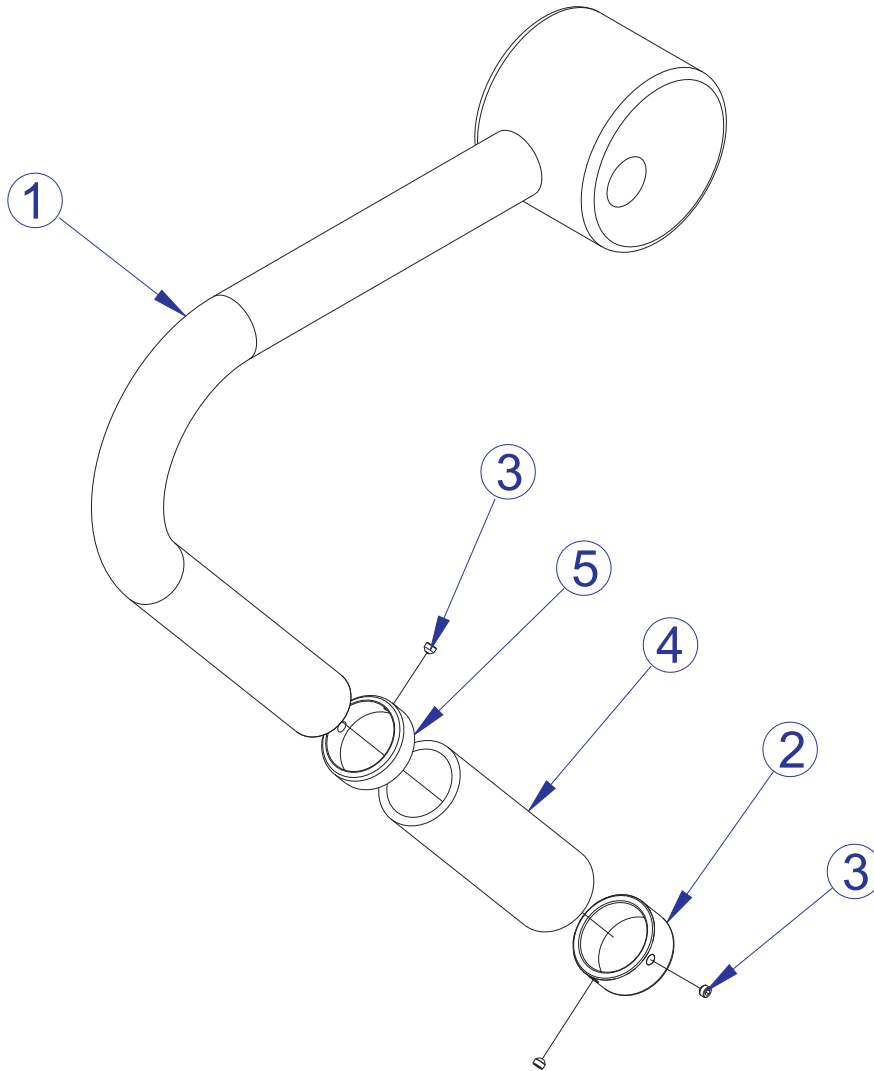
# TCRW SEATED ROW WORKARM ASSEMBLY- 80189XX



ITEM NO.	QTY.	PART NO.	DESCRIPTION
1	1	80189XX	ASSY, TCRW, WORKARM
2	3	7800501	CAP, SML FLOV END
3	2	3104901	.75" ID 1.00" OD BRONZE BUSHING
4	1	8001901	SHAFT, TCRW, AXLE
5	1	3251701	SCREW, M10 X1.5 20MM
6	4	7646801	PLUG, CURVED HOLE
7	1	8031701	LABEL, WARNING, 2.43 X 1.06

# TCRW SEATED ROW LEFT HANDLE ASSEMBLY - 80190XX

---

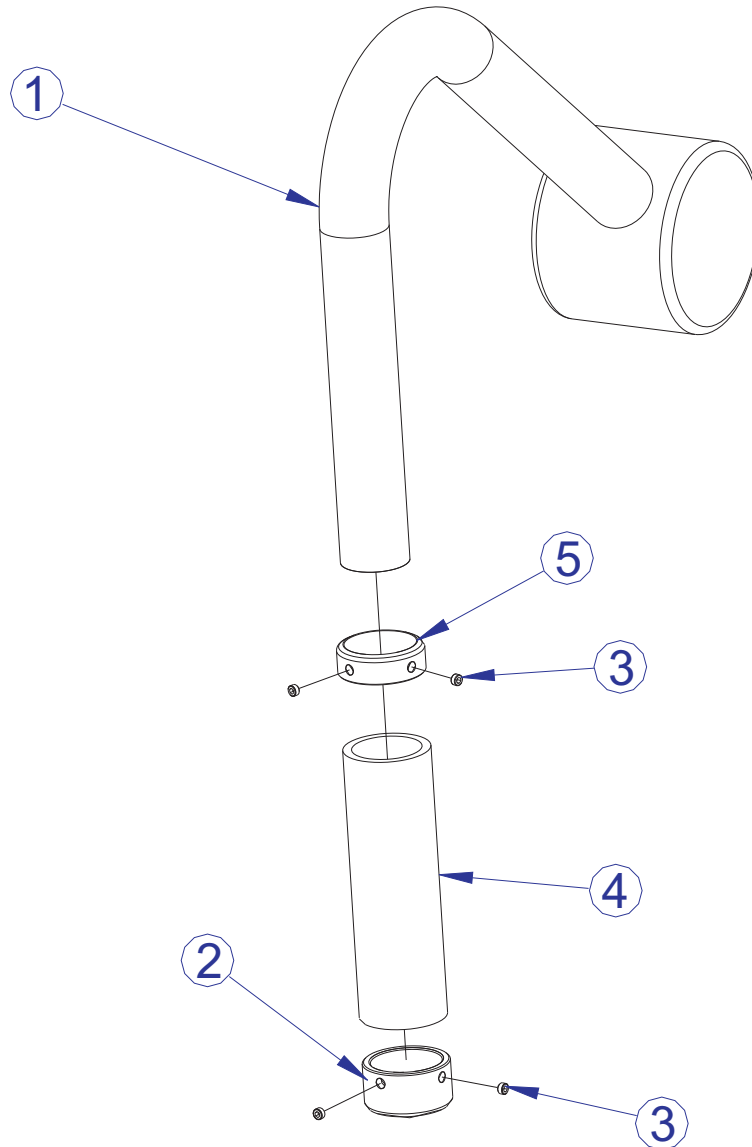


ITEM NO.	QTY.	PART NO.	DESCRIPTION
1	1	80190XX	ASSY, TCRW, LEFT HANDLE
2	1	7662901	CAP, GRIP 1.25 OD
3	4	3247701	M4 X .7 HXS NO CUP ST BO
4	1	3235801	GRIP, 1.25 OD
5	1	7662801	RING, GRIP 1.25 OD



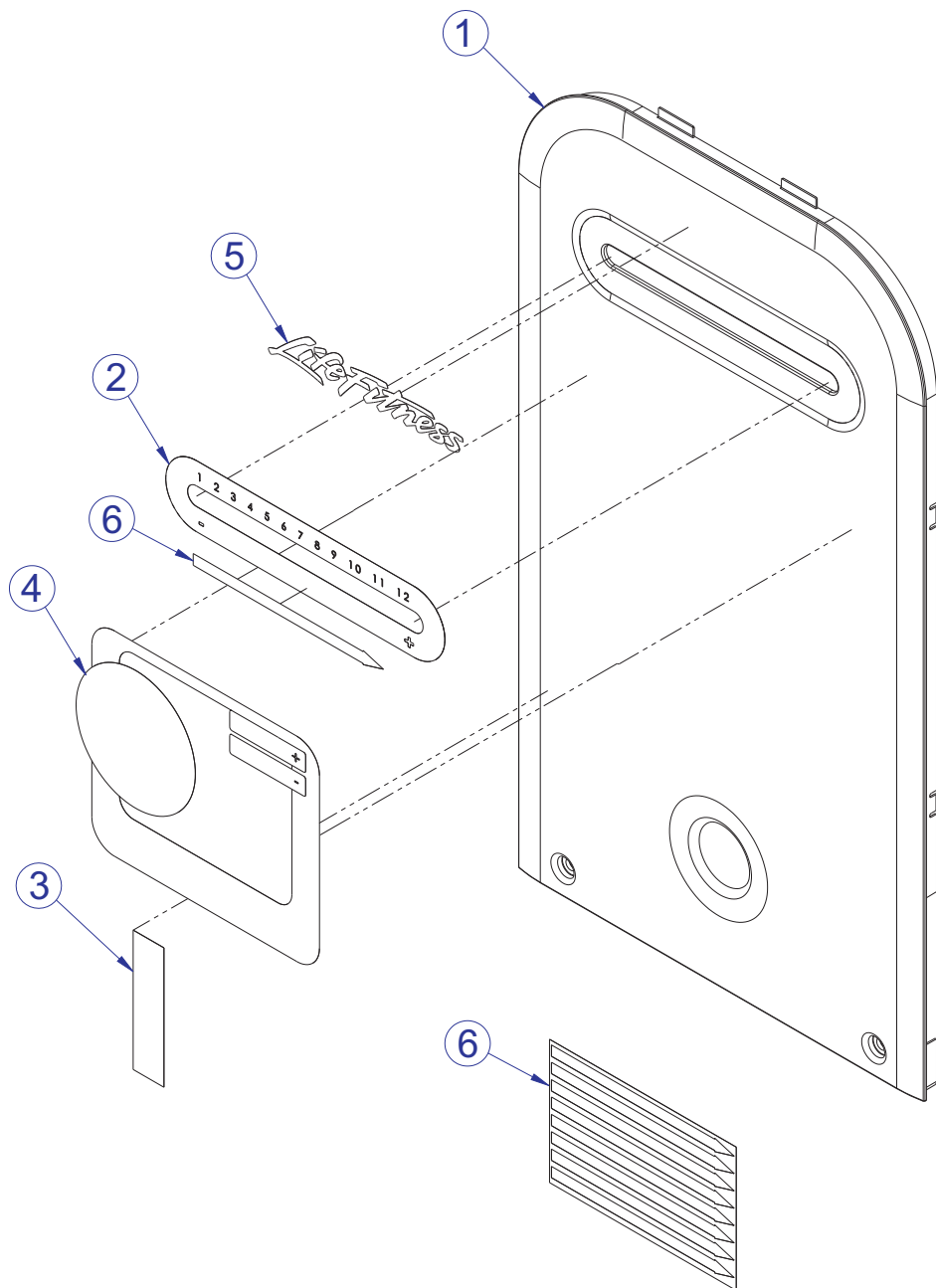
# TCRW SEATED ROW RIGHT HANDLE ASSEMBLY - 80191XX

---



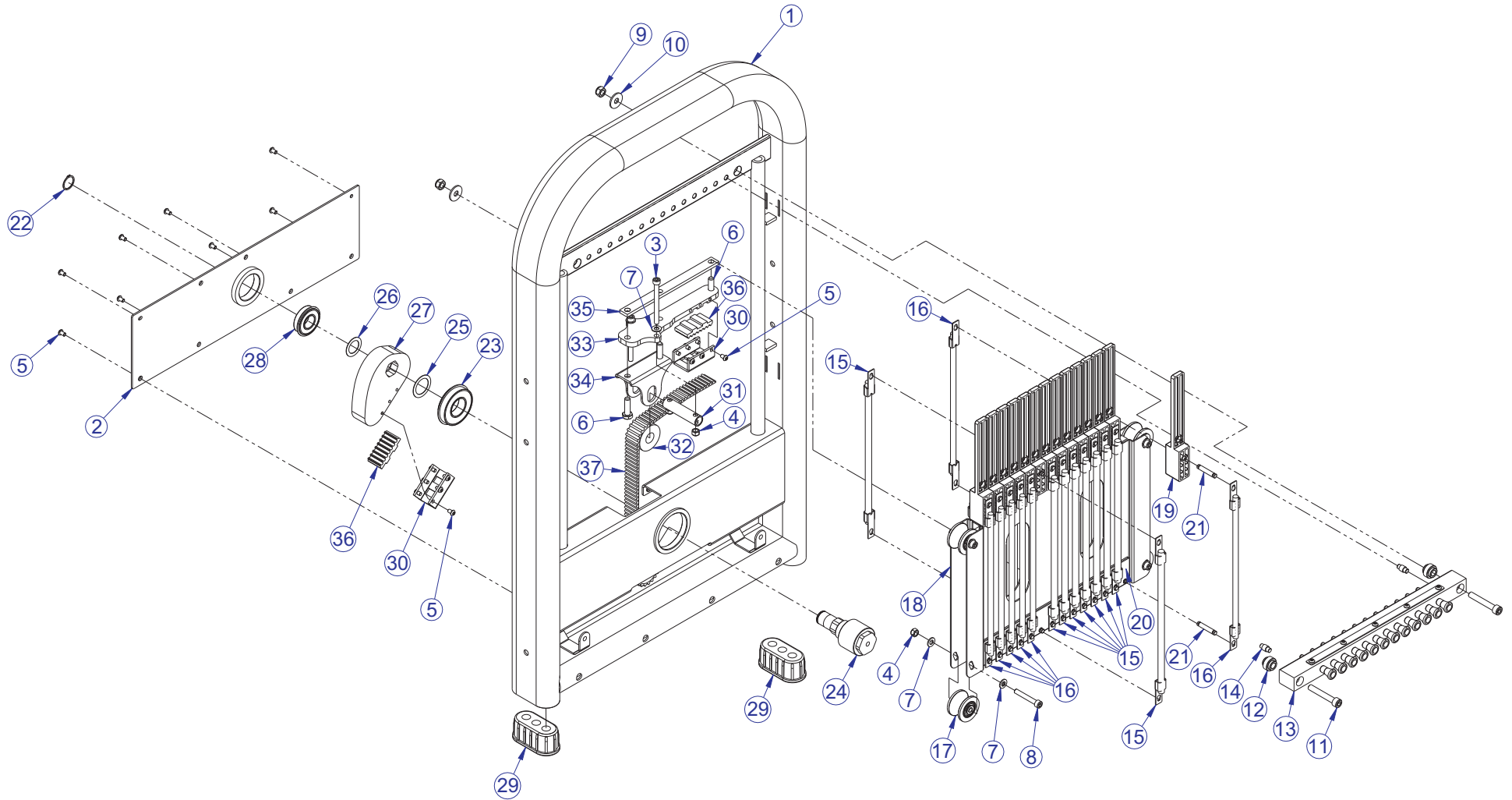
ITEM NO.	QTY.	PART NO.	DESCRIPTION
1	1	80191XX	ASSY, TCRW, RIGHT HANDLE
2	1	7662901	CAP, GRIP 1.25 OD
3	4	3247701	M4 X .7 HXS NO CUP ST BO
4	1	3235801	GRIP, 1.25 OD
5	1	7662801	RING, GRIP 1.25 OD

# TCRW SEATED ROW FRONT SHROUD ASSEMBLY - 8024707



ITEM NO.	QTY.	PART NO.	DESCRIPTION
1	1	8012601	SHROUD, TC-TOWER, FRONT
2	1	8024601	LABEL, TC, SELECTOR
3	1	7422004	LABEL, 2" ASTM WARN
4	1	8025207	LABEL, INSTR, STRENGTH CIRCUIT, TCRW
5	1	8037701	LABEL, TC, LIFE FITNESS
6	1	8047101	LABEL, TC, SELECTOR, MULTI-LANGUAGE

# TCRW SEATED ROW TOWER ASSEMBLY - 79854XX

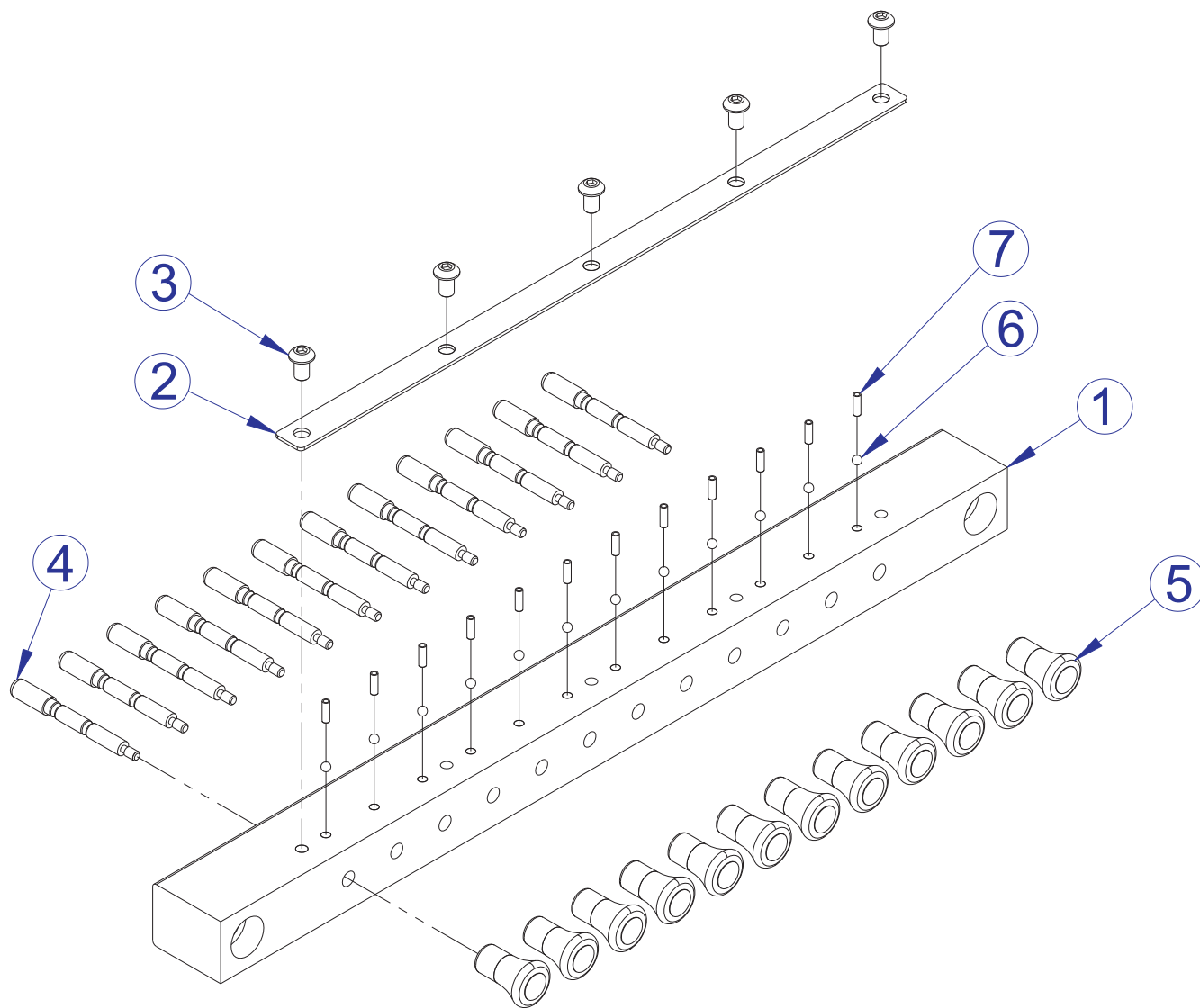


SEE PAGE 12 FOR LEGEND

# TCRW SEATED ROW TOWER ASSEMBLY LEGEND

ITEM NO.	QTY.	PART NO.	DESCRIPTION
1	1	79855XX	WLDMT, TC-TOWER, FRAME
2	1	79856XX	WLDMT, TC-TOWER, COVER
3	2	3253915	SCREW, M8 X1.25 90MM
4	6	3242004	NUT, M8 X 1.25 HEX NYLOCK
5	20	3252802	M6-1.0 X 10 HXS BUT CS ST ZN
6	3	3251204	SCREW, M10 X1.5 X 35MM UNS HEX CS ST ZN
7	10	3102509	WASHER, TYPE A PLAIN
8	4	3253908	SCREW, M8 X1.25 55MM
9	2	3242002	NUT, M10 X 1.5 HEX NYLOCK
10	2	3257401	WASHER, FLAT, ST, ZN
11	2	3251710	SCREW, M10 X1.5 65MM
12	2	7996101	SPACER, TC-TOWER, HEADER
13	1	7995801	ASSY, TC-TOWER, HEADER
14	2	8015701	PIN, TC-TOWER, BLOCK FIXED
15	16	8015001	ASSY, CORD, BUNGEE 1/2"
16	12	8014901	ASSY, CORD, BUNGEE 3/8"
17	4	8018401	ASSY, ROLLER
18	1	7985795	WLDMT, TC-TOWER, CARRIAGE
19	14	8013101	SELECT BLOCK, TC-TOWER
20	2	8013301	PLATE, BUNGEE SPACER
21	28	8015601	PIN, TC-TOWER, BUNGEE
22	1	3232420	RING, BRE .926, 5100-98 ST PP B
23	1	3256901	BEARING, 6207NR BALL
24	1	7995701	AXLE, TC-TOWER
25	1	7882701	SHIM, 1.225-1.75-.03
26	1	7882801	SHIM, 1.005-1.50-.03
27	1	8019901	CAM, TC-TOWER
28	1	3257001	BEARING, 6205NR BALL
29	2	8012901	CAP, MFLOV END
30	2	8019201	BRKT, TC-TOWER, BELT
31	1	8019501	SHAFT, TC-TOWER,PULLEY
32	1	8019701	ROLLER, TC-TOWER, BELT
33	1	8019401	PLATE, TC-TOWER, PULLEY MOUNT
34	1	8019301	BRKT, TC-TOWER, PULLEY
35	1	8024301	PLATE, TC-TOWER, SPACER
36	2	8019601	BLOCK, BELT, TC-TOWER
37	1	8026401	BELT, 30MM, KEVLAR

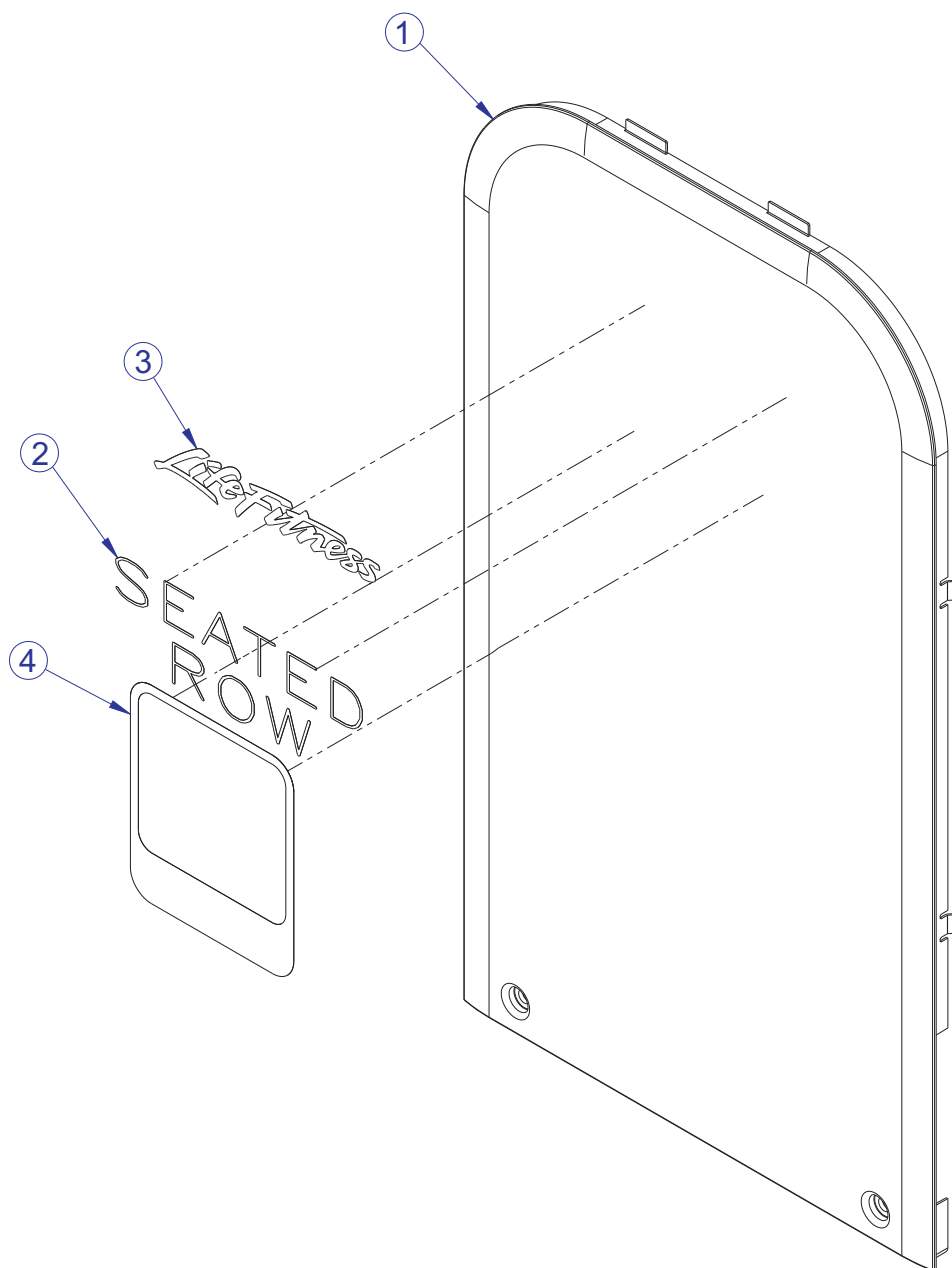
# TCRW SEATED ROW TOWER HEADER ASSEMBLY - 7995801



ITEM NO.	QTY.	PART NO.	DESCRIPTION
1	1	7995901	BAR, HEADER, FRONT
2	1	7996001	PLATE, SPRING RETAINER
3	5	3262001	M6-1.0 X 10 TORX BUT CS ST ZN
4	12	8020001	PIN, TC-TOWER, SELECTOR
5	12	8013001	KNOB, TC-TOWER, PIN
6	12	3265601	BALL, CHROME ALLOY STEEL X 3.5MM
7	12	3253202	SPRING, .12 DIA X .438 X .018 WIRE DIA

# TCRW SEATED ROW REAR SHROUD ASSEMBLY - 8024807

---



ITEM NO.	QTY.	PART NO.	DESCRIPTION
1	1	8012701	SHROUD, TC-TOWER, REAR
2	1	8024907	LABEL, STRENGTH CIRCUIT, TCRW
3	1	8037701	LABEL, TC, LIFE FITNESS
4	1	8038007	LABEL, TCRW, PLACARD REAR

# TCRW SEATED ROW IMAGE

---

