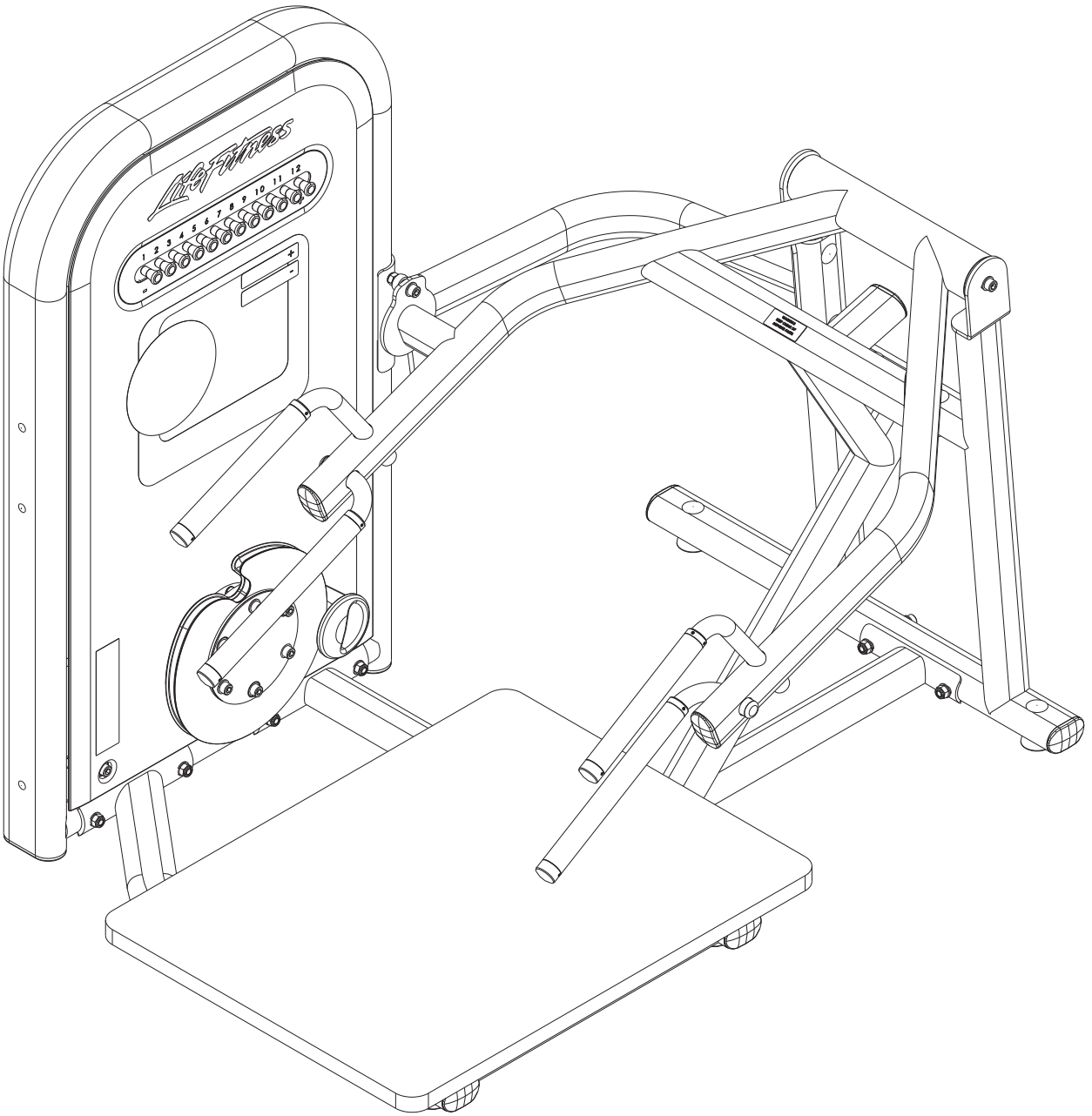




CIRCUIT SERIES
TCSL
SQUAT



Customer Support Services
PARTS LIST

TCSL SQUAT

Contents

COMPONANT ASSEMBLY	pg.3
COMPONANT ASSEMBLY LEGEND	4
FRAME PLATFORM ASSEMBLY	5
CENTER BRACE ASSEMBLY	6
UPRIGHT ASSEMBLY	7
WORKARM ASSEMBLY	8
TOWER BRACE ASSEMBLY	9
FRONT SHROUD ASSEMBLY	10
TOWER ASSEMBLY	11
TOWER ASSEMBLY LEGEND	12
TOWER HEADER ASSEMBLY	13
REAR SHROUD	14
IMAGE	15

COLOR LEGEND

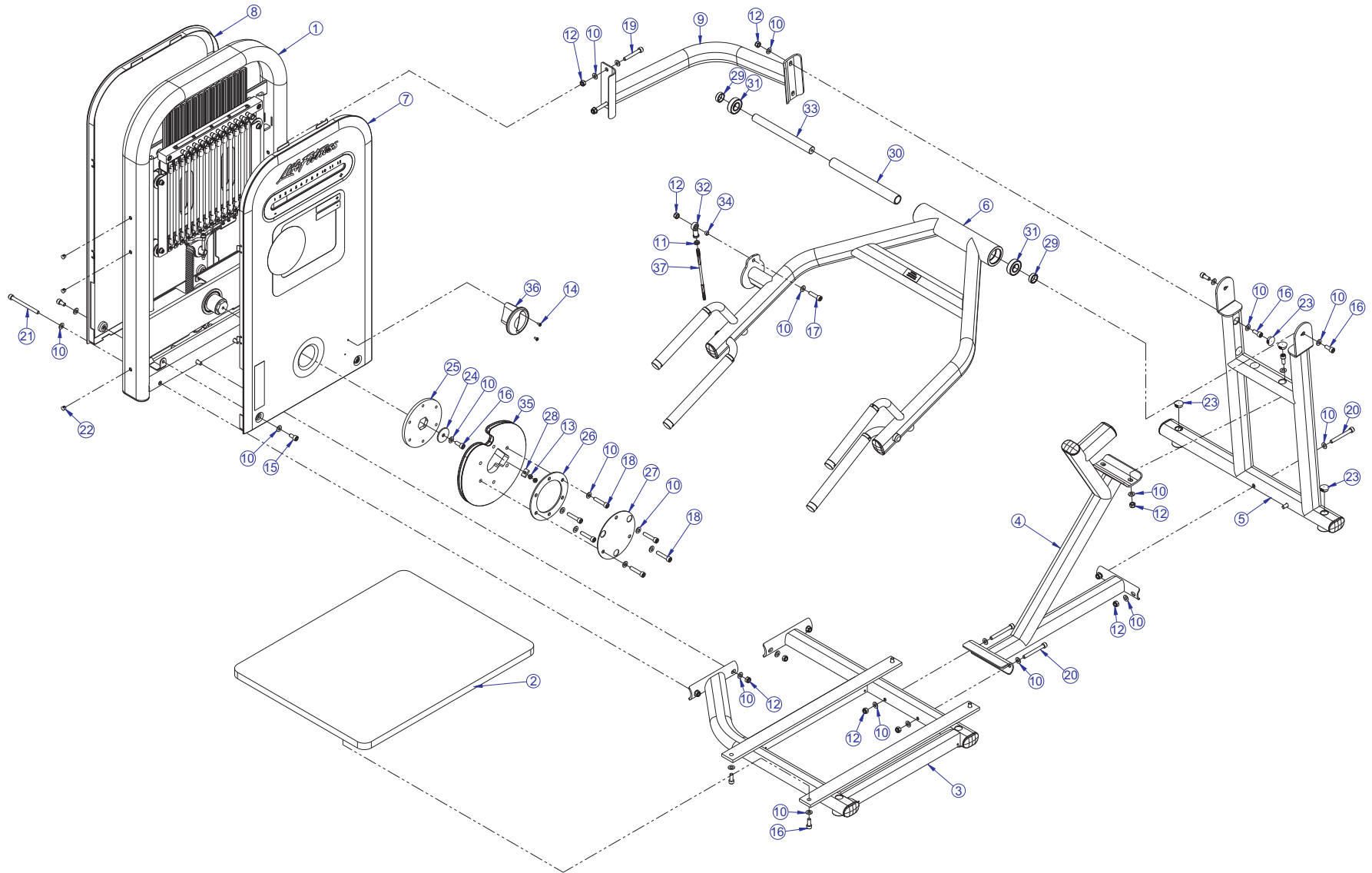
Item numbers ending in 'XX' require paint color.
Replace last two digits from the corresponding code.

01 = White

02 = Platinum

99 = Custom Paint

TCSL SQUAT COMPONENT ASSEMBLY

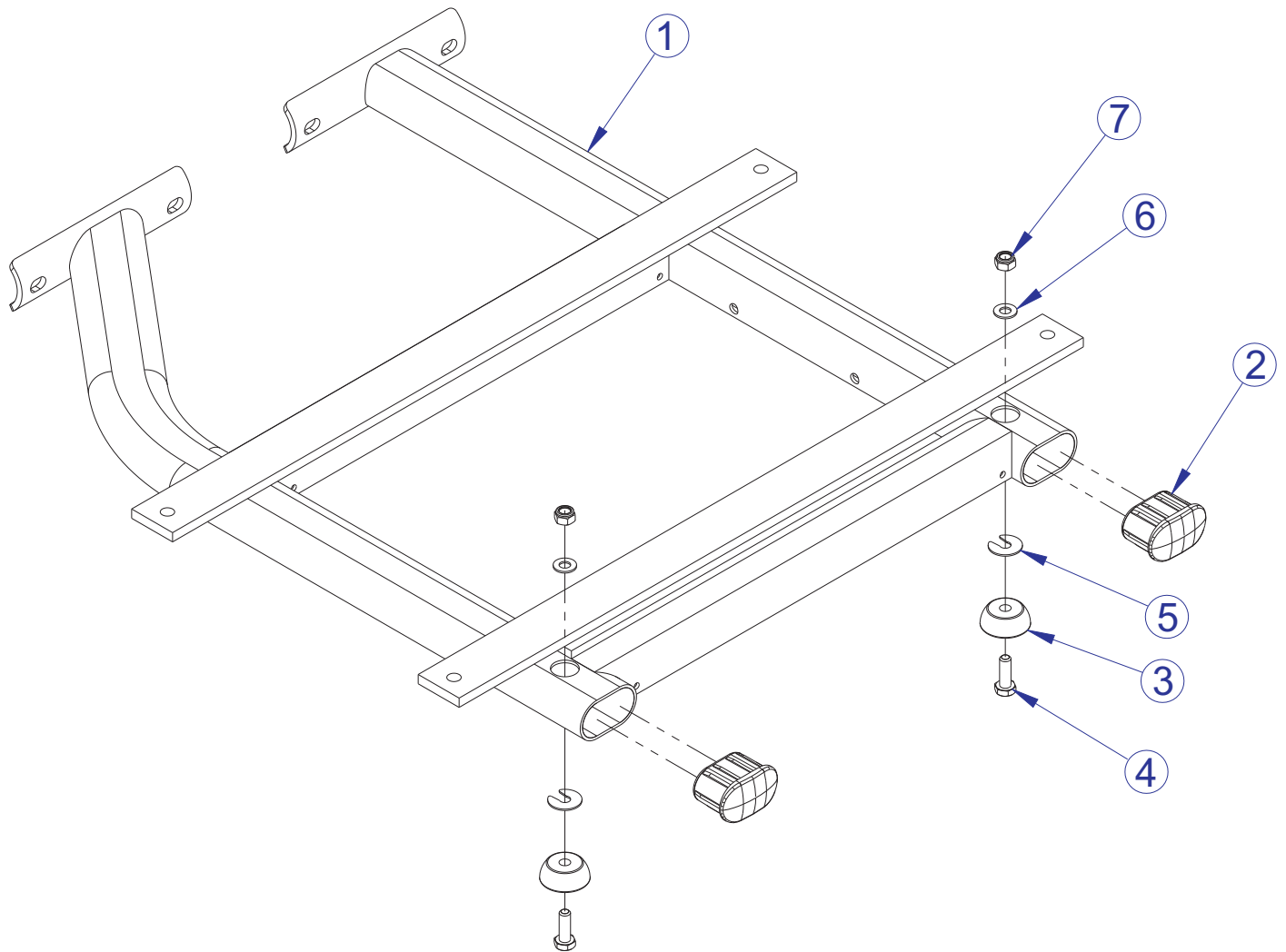


SEE PAGE 4 FOR LEGEND

TCSL SQUAT COMPONANT ASSEMBLY LEGEND

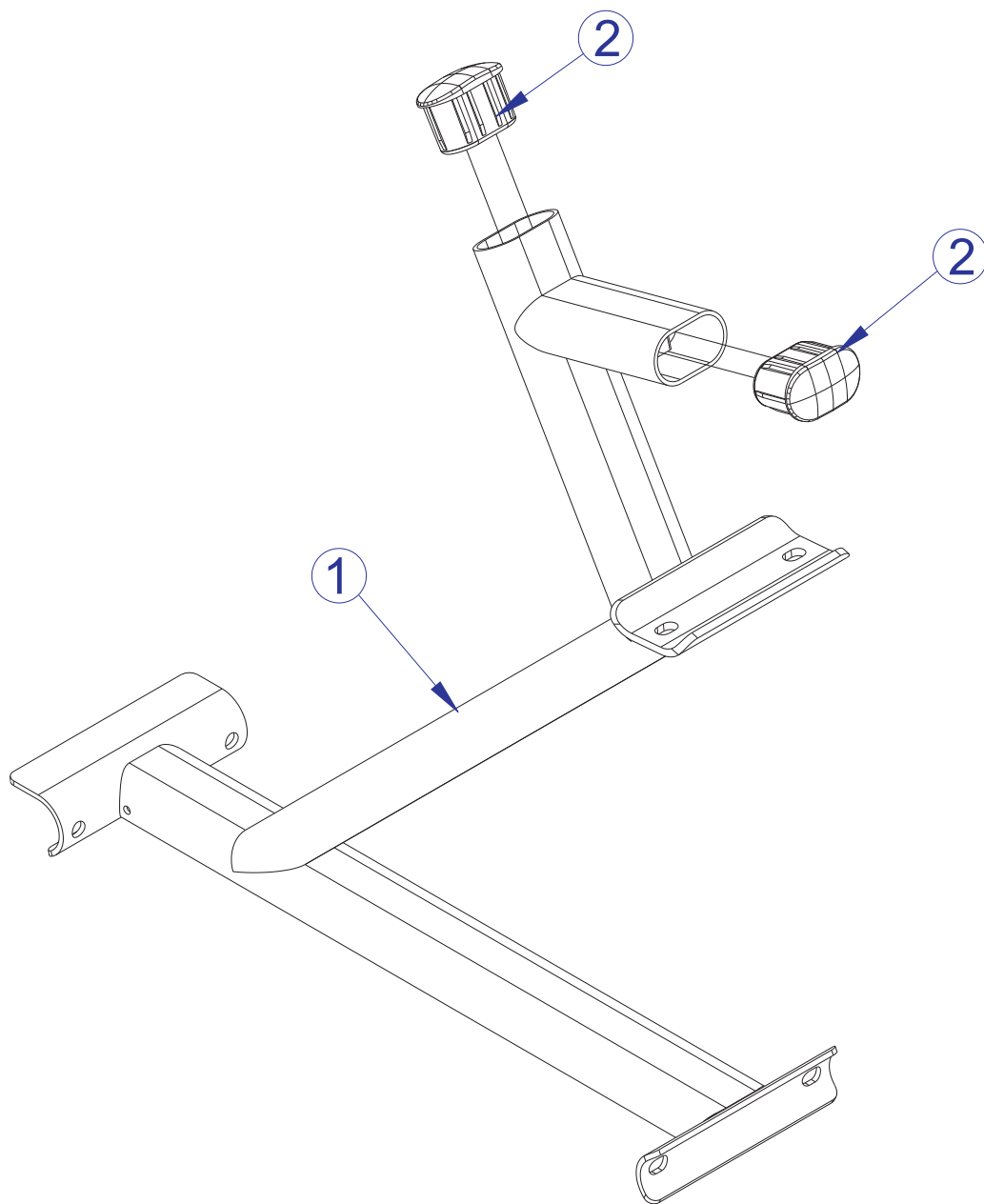
ITEM NO.	QTY.	PART NO.	DESCRIPTION
1	1	79854XX	ASSY, TC-TOWER, FINAL
2	1	8018201	ASSY,TCSL, RUBBER COATED BOARD
3	1	80201XX	ASSY, TCSL, FRAME PLATFORM
4	1	80202XX	ASSY, TCSL, CENTER BRACE
5	1	80203XX	ASSY, TCSL, UPRIGHT
6	1	80204XX	ASSY, TCSL,WORKARM
7	1	8024708	ASSY, TC-TOWER, SHROUD FRONT, TCSL
8	1	8024808	ASSY, TC-TOWER, SHROUD REAR, TCSL
9	1	80319XX	ASSY, TCSL, TOWER BRACE
10	46	3102514	WASHER, FLAT 3/8" SAE ST ZN
11	1	3236901	NUT, M10 X 1.5 JAM
12	15	3242002	NUT, M10 X 1.5 HEX NYLOCK
13	2	3247502	NUT, M8 X 1.25 HEX JAM ST ZN
14	2	3239101	SCREW, M5X10 PHL PAN TT ST
15	4	3251701	SCREW, M10 X1.5 20MM
16	11	3251702	SCREW, M10 X1.5 25MM
17	1	3251705	SCREW, M10 X1.5 40MM
18	6	3251707	SCREW, M10 X1.5 50MM
19	2	3251711	SCREW, M10 X1.5 70MM
20	4	3251715	SCREW, M10 X1.5 90MM
21	4	3251719	SCREW, M10 X1.5 120MM
22	3	3237401	PLUG, 7/16" HOLE
23	6	3237403	PLUG, 1" HOLE
24	1	7322301	PLATE, 1.97 OD X .44 ID 10GA
25	1	7998495	PLATE, TC TOWER, OUTPUT
26	1	7998895	PLATE, TC-TOWER, RING
27	1	7998995	PLATE, TC-TOWER, COVER
28	1	8001801	PLATE,TC, CABLE RETAIN.
29	2	7330001	SPACER, INTERNAL X .403
30	1	7330007	SPACER, INTERNAL X 11.765
31	2	3235601	BEARING, 6205 BALL
32	1	3237901	ROD END, METRIC FEMALE
33	1	7316506	SHAFT, 25MM X 10.331
34	1	7489402	BSHNG, .500 OD X .402 ID
35	1	7998501	CAM, TC, OUTPUT
36	1	8013201	GUARD, TC-TOWER, CAM
37	1	8020601	CABLE, TCSL

TCSL SQUAT FRAME PLATFORM ASSEMBLY - 80201XX



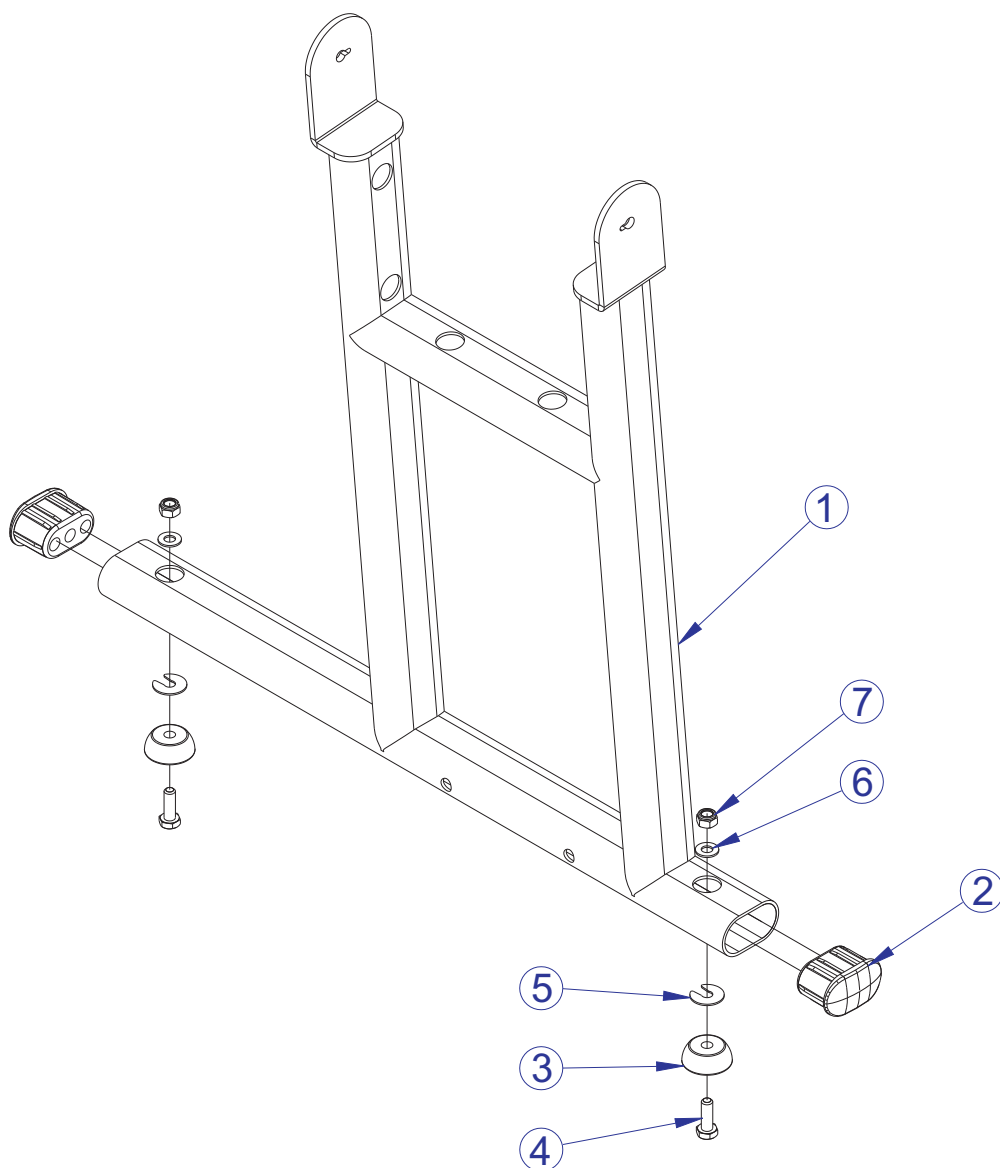
ITEM NO.	QTY.	PART NO.	DESCRIPTION
1	1	80201XX	ASSY, TCSL, FRAME PLATFORM
2	2	7800501	CAP, SML FLOV END
3	2	7893001	FOOT, LEVELER
4	2	3251203	SCREW, M10 X1.5 X 30MM UNS HEX CS ST ZN
5	2	7893101	SHIM, FOOT LEVELER
6	2	3102514	WASHER, FLAT 3/8" SAE ST ZN
7	2	3242002	NUT, M10 X 1.5 HEX NYLOCK

TCSL SQUAT CENTER BRACE ASSEMBLY - 80202XX



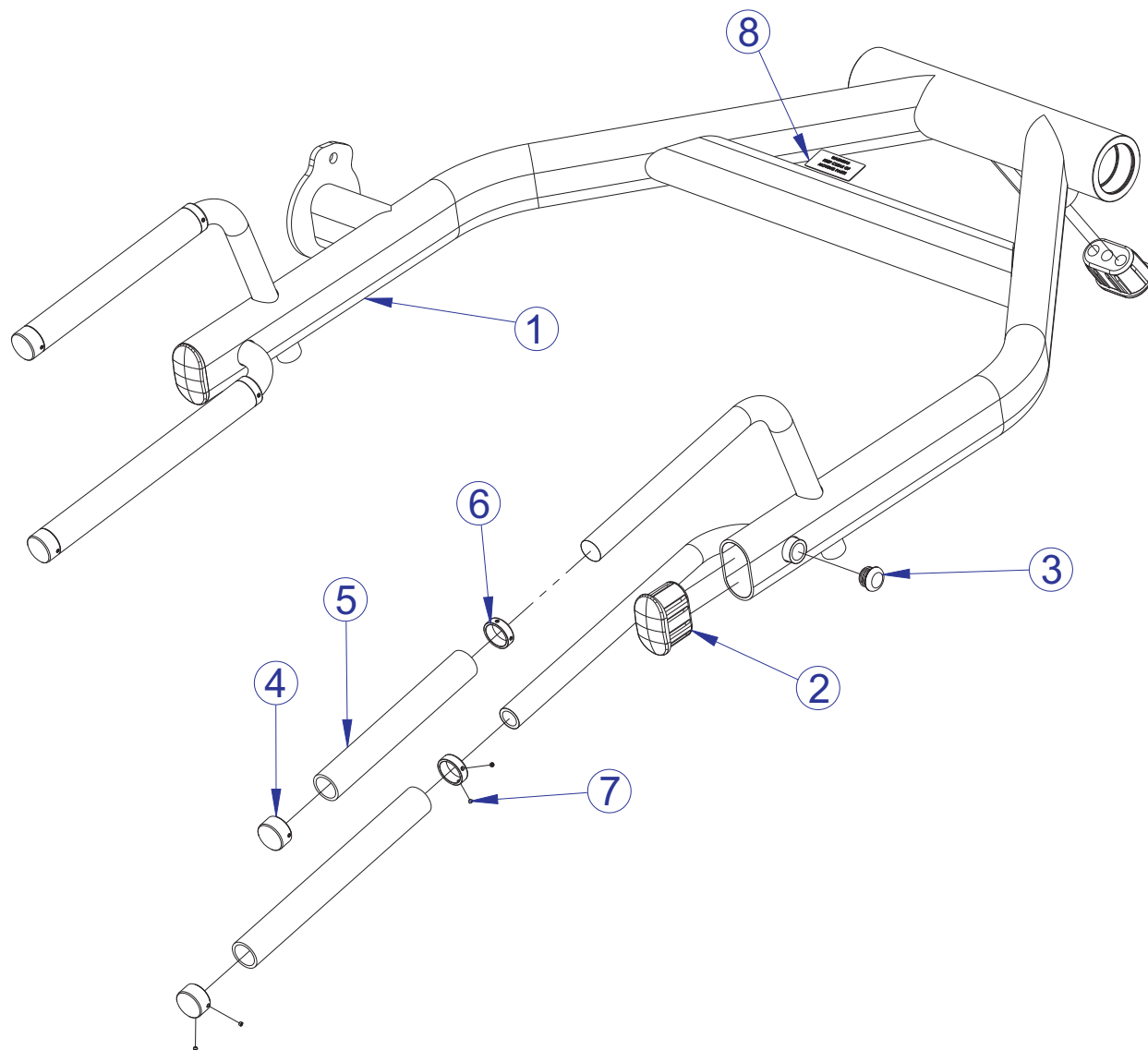
ITEM NO.	QTY.	PART NO.	DESCRIPTION
1	1	80202XX	ASSY, TCSL, CENTER BRACE
2	2	7800501	CAP, SML FLOV END

TCSL SQUAT UPRIGHT ASSEMBLY- 80203XX



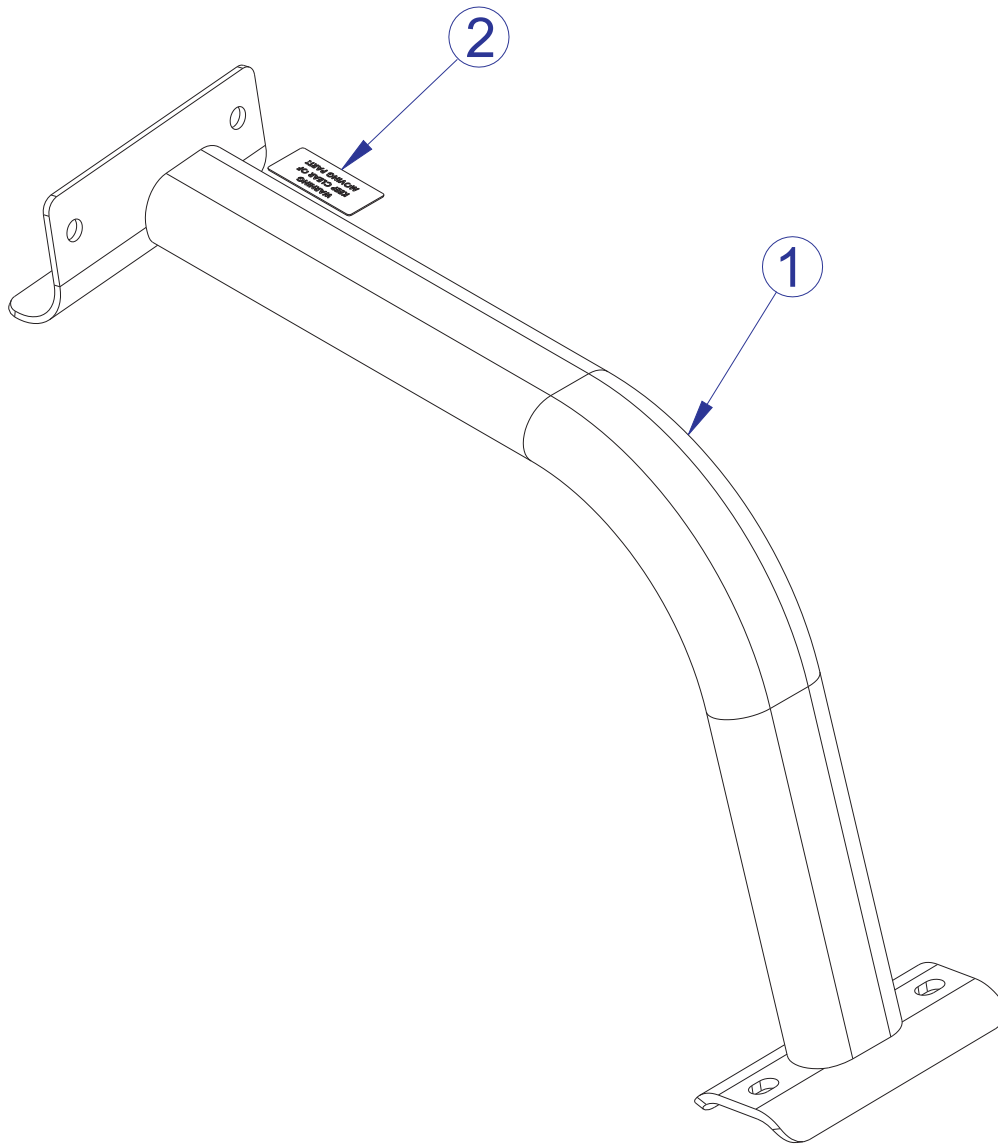
ITEM NO.	QTY.	PART NO.	DESCRIPTION
1	1	80203XX	ASSY, TCSL, UPRIGHT
2	2	7800501	CAP, SML FLOV END
3	2	7893001	FOOT, LEVELER
4	2	3251203	SCREW, M10 X1.5 X 30MM UNS HEX CS ST ZN
5	2	7893101	SHIM, FOOT LEVELER
6	2	3102514	WASHER, FLAT 3/8" SAE ST ZN
7	2	3242002	NUT, M10 X 1.5 HEX NYLOCK

TC SL SQUAT WORKARM ASSEMBLY - 80204XX



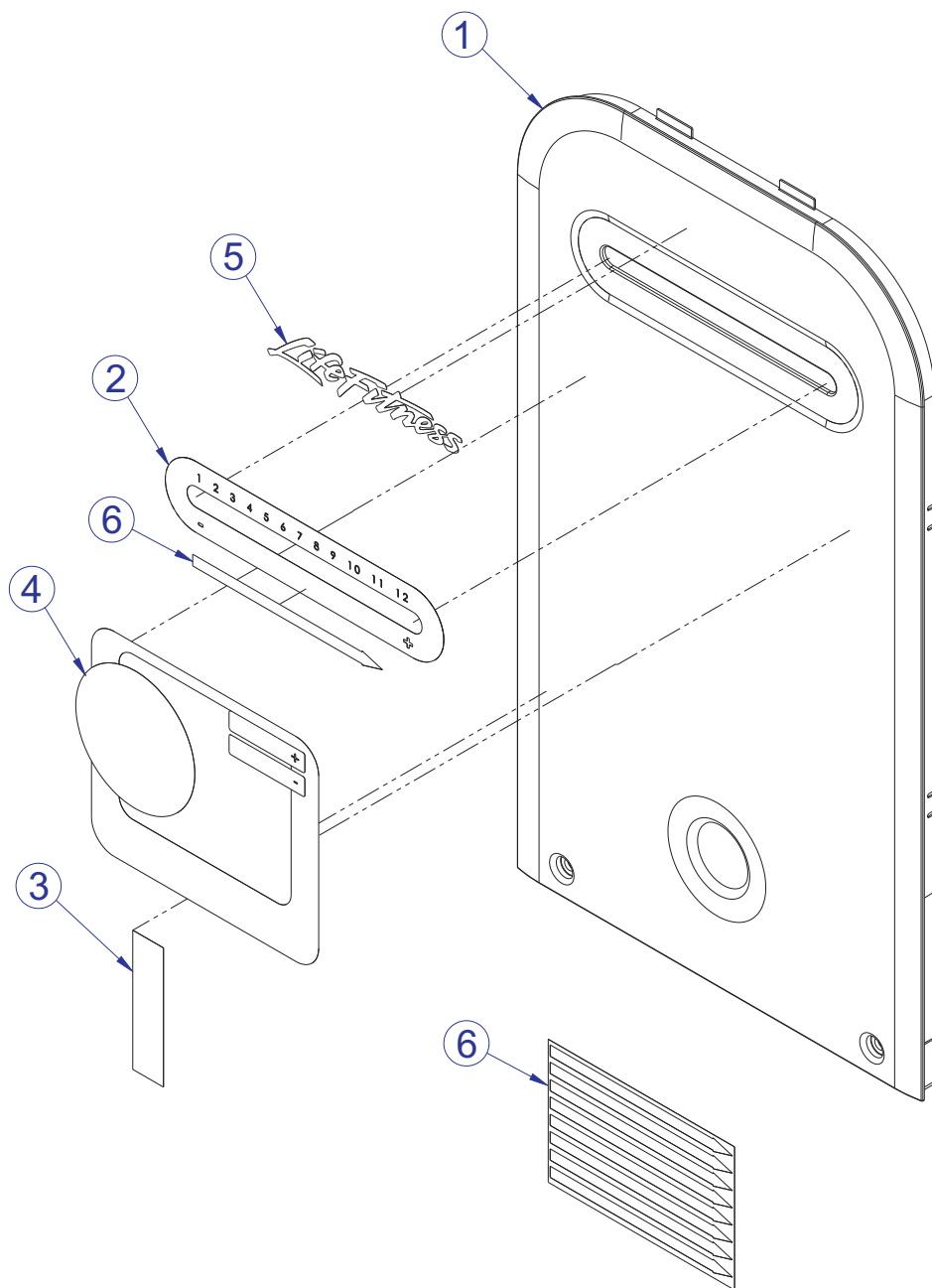
ITEM NO.	QTY.	PART NO.	DESCRIPTION
1	1	80204XX	ASSY, TCSL, WORKARM
2	3	7800501	CAP, SML FLOV END
3	2	3119304	CAP, END 1.00 DIA RD 10-12 GA
4	4	7662901	CAP, GRIP 1.25 OD
5	4	3235801	GRIP, 1.25 OD
6	4	7662801	RING, GRIP 1.25 OD
7	16	LEA3247701	M4 X .7 HXS NO CUP ST BO
8	1	8031701	LABEL, WARNING, 2.43 X 1.06

TCSL SQUAT TOWER BRACE ASSEMBLY- 80319XX



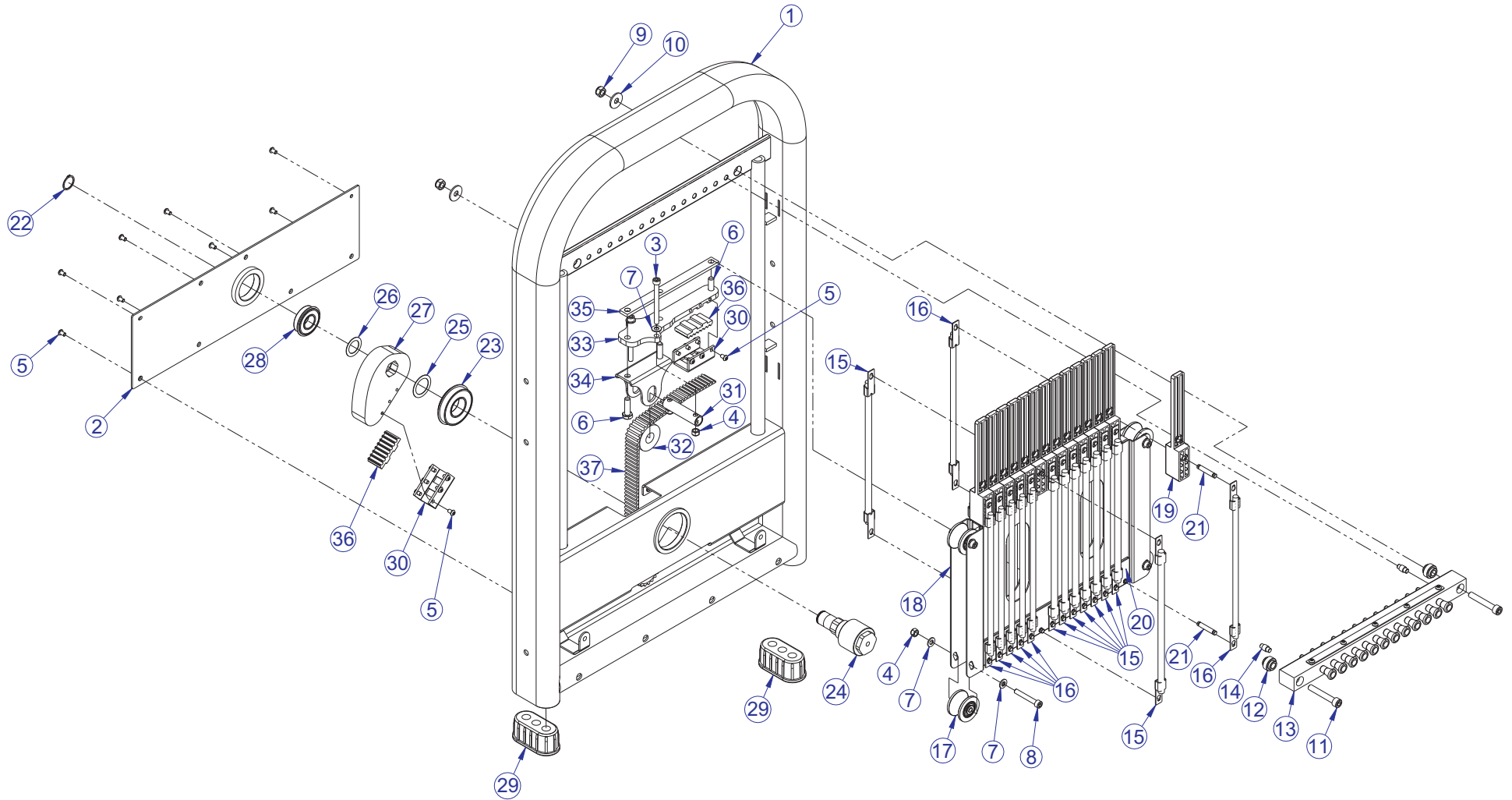
ITEM NO.	QTY.	PART NO.	DESCRIPTION
1	1	80319XX	ASSY, TCSL, TOWER BRACE
2	1	8031701	LABEL, WARNING, 2.43 X 1.06

TCSL SQUAT FRONT SHROUD ASSEMBLY - 8024708



ITEM NO.	QTY.	PART NO.	DESCRIPTION
1	1	8012601	SHROUD, TC-TOWER, FRONT
2	1	8024601	LABEL, TC, SELECTOR
3	1	7422004	LABEL, 2" ASTM WARN
4	1	8025208	LABEL, INSTR, STRENGTH CIRCUIT, TCSL
5	1	8037701	LABEL, TC, LIFE FITNESS
6	1	8047101	LABEL, TC, SELECTOR, MULTI-LANGUAGE

TCSL SQUAT TOWER ASSEMBLY - 79854XX

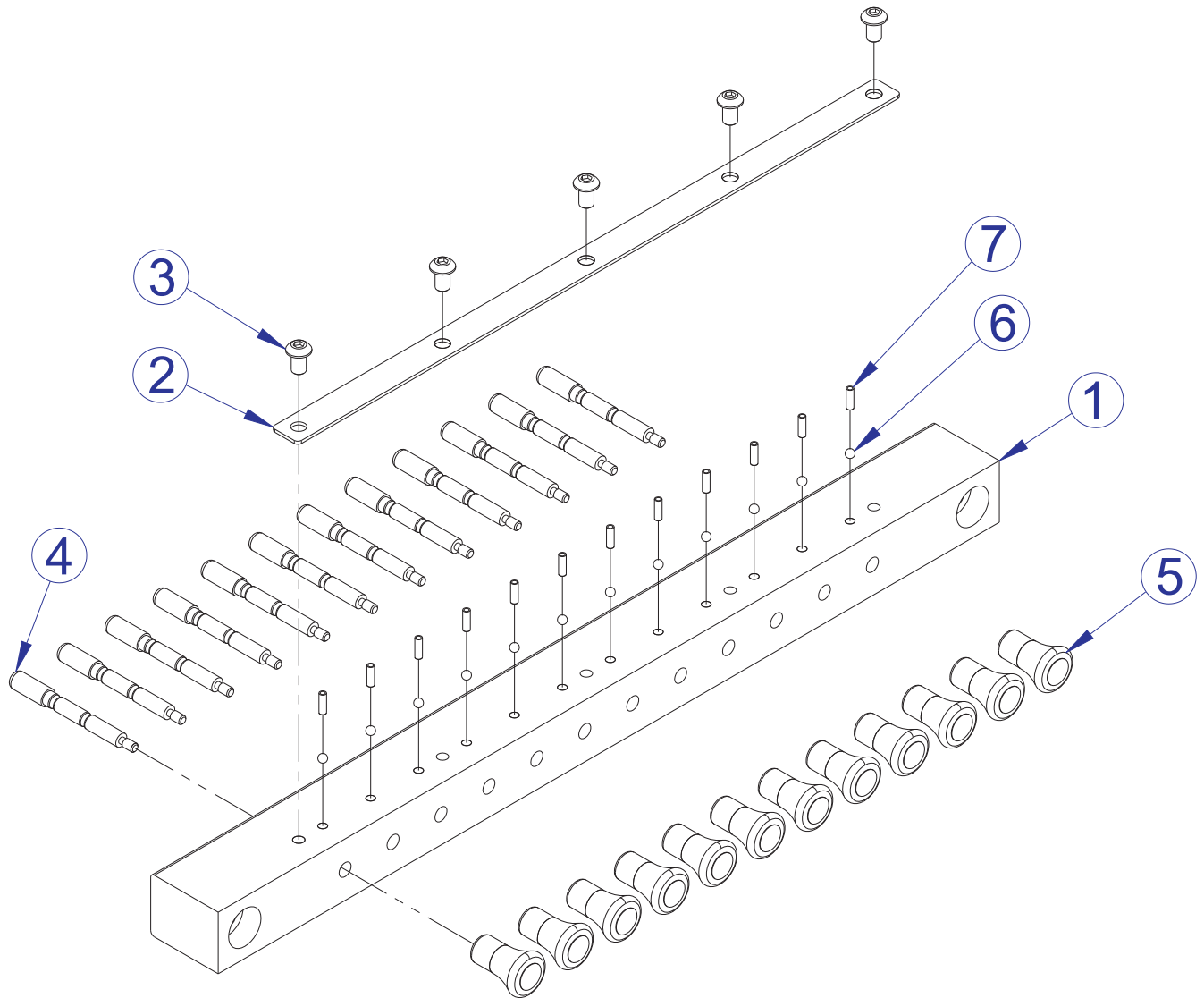


SEE PAGE 12 FOR LEGEND

TCSL SQUAT TOWER ASSEMBLY LEGEND

ITEM NO.	QTY.	PART NO.	DESCRIPTION
1	1	79855XX	WLDMT, TC-TOWER, FRAME
2	1	79856XX	WLDMT, TC-TOWER, COVER
3	2	3253915	SCREW, M8 X1.25 90MM
4	6	3242004	NUT, M8 X 1.25 HEX NYLOCK
5	20	3252802	M6-1.0 X 10 HXS BUT CS ST ZN
6	3	3251204	SCREW, M10 X1.5 X 35MM UNS HEX CS ST ZN
7	10	3102509	WASHER, TYPE A PLAIN
8	4	3253908	SCREW, M8 X1.25 55MM
9	2	3242002	NUT, M10 X 1.5 HEX NYLOCK
10	2	3257401	WASHER, FLAT, ST, ZN
11	2	3251710	SCREW, M10 X1.5 65MM
12	2	7996101	SPACER, TC-TOWER, HEADER
13	1	7995801	ASSY, TC-TOWER, HEADER
14	2	8015701	PIN, TC-TOWER, BLOCK FIXED
15	16	8015001	ASSY, CORD, BUNGEE 1/2"
16	12	8014901	ASSY, CORD, BUNGEE 3/8"
17	4	8018401	ASSY, ROLLER
18	1	7985795	WLDMT, TC-TOWER, CARRIAGE
19	14	8013101	SELECT BLOCK, TC-TOWER
20	2	8013301	PLATE, BUNGEE SPACER
21	28	8015601	PIN, TC-TOWER, BUNGEE
22	1	3232420	RING, BRE .926, 5100-98 ST PP B
23	1	3256901	BEARING, 6207NR BALL
24	1	7995701	AXLE, TC-TOWER
25	1	7882701	SHIM, 1.225-1.75-.03
26	1	7882801	SHIM, 1.005-1.50-.03
27	1	8019901	CAM, TC-TOWER
28	1	3257001	BEARING, 6205NR BALL
29	2	8012901	CAP, MFLOV END
30	2	8019201	BRKT, TC-TOWER, BELT
31	1	8019501	SHAFT, TC-TOWER,PULLEY
32	1	8019701	ROLLER, TC-TOWER, BELT
33	1	8019401	PLATE, TC-TOWER, PULLEY MOUNT
34	1	8019301	BRKT, TC-TOWER, PULLEY
35	1	8024301	PLATE, TC-TOWER, SPACER
36	2	8019601	BLOCK, BELT, TC-TOWER
37	1	8026401	BELT, 30MM, KEVLAR

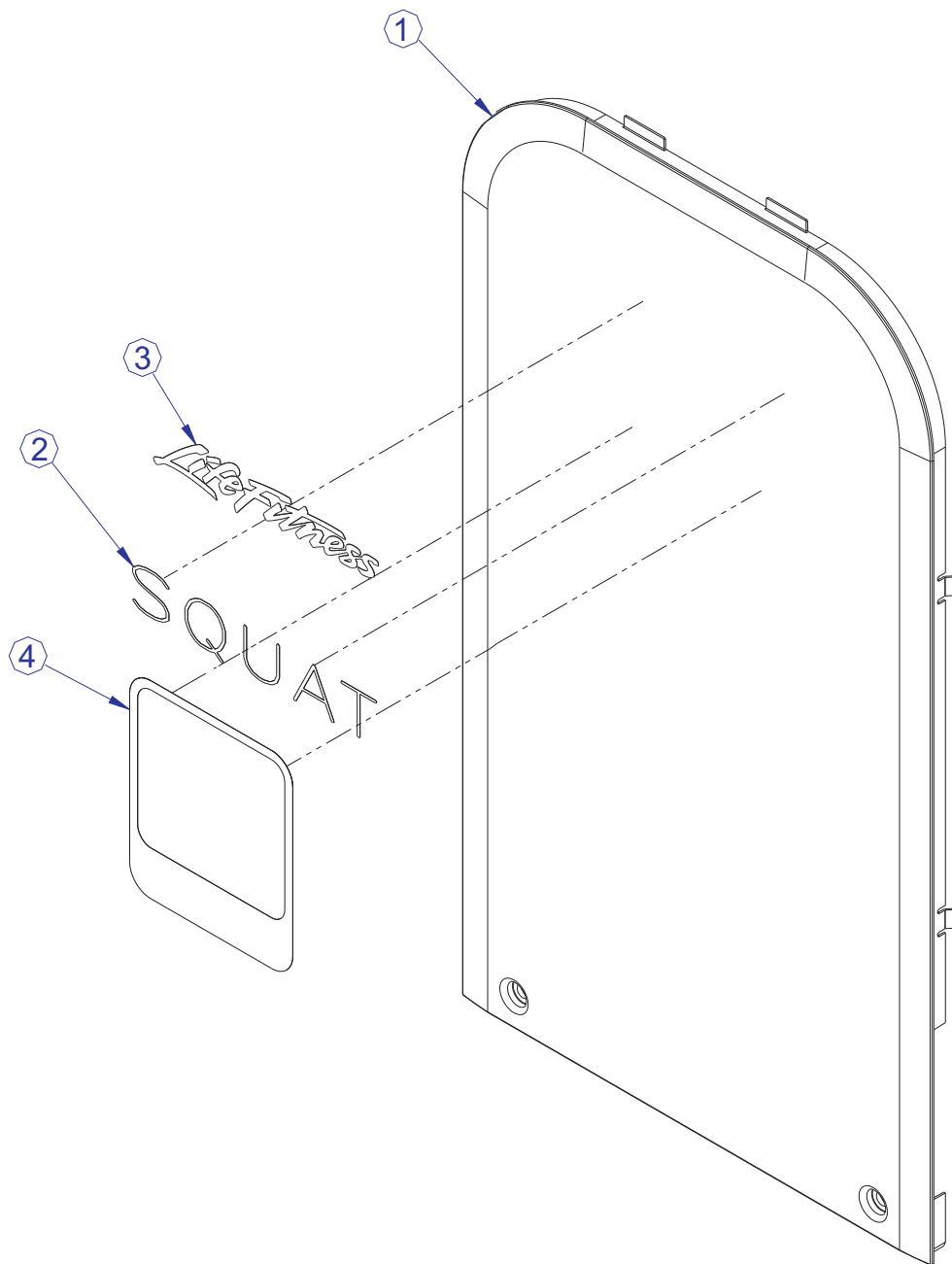
TCSL SQUAT TOWER HEADER ASSEMBLY - 7995801



ITEM NO.	QTY.	PART NO.	DESCRIPTION
1	1	7995901	BAR, HEADER, FRONT
2	1	7996001	PLATE, SPRING RETAINER
3	5	3262001	M6-1.0 X 10 TORX BUT CS ST ZN
4	12	8020001	PIN, TC-TOWER, SELECTOR
5	12	8013001	KNOB, TC-TOWER, PIN
6	12	3265601	BALL, CHROME ALLOY STEEL X 3.5MM
7	12	3253202	SPRING, .12 DIA X .438 X .018 WIRE DIA

TCSL SQUAT

REAR SHROUD ASSEMBLY - 8024808



ITEM NO.	QTY.	PART NO.	DESCRIPTION
1	1	8012701	SHROUD, TC-TOWER, REAR
2	1	8024908	LABEL, STRENGTH CIRCUIT, TCSL
3	1	8037701	LABEL, TC, LIFE FITNESS
4	1	8038008	LABEL, TCSL, PLACARD REAR

TCSL SQUAT IMAGE

